

Installation Instructions

KitchenAid[®]
HOME APPLIANCES

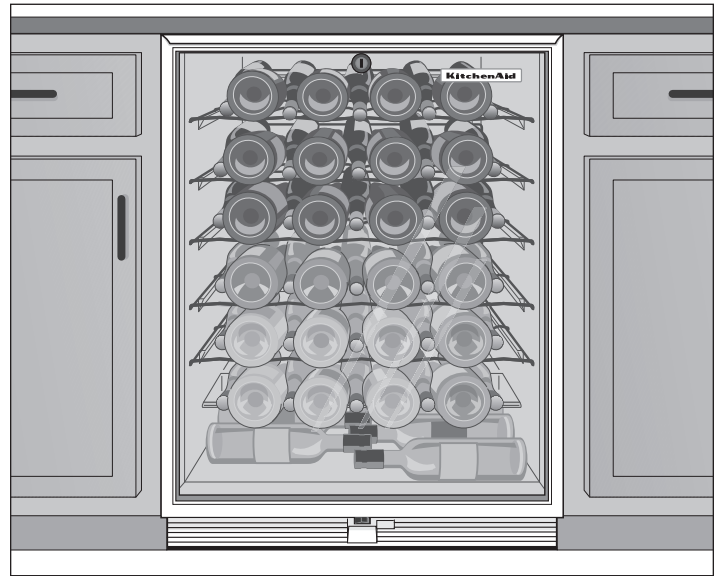
Wine Cellar

Refrigerated Wine Storage System

Important:

Read and save these instructions.

- **Installer:** Leave Installation Instructions with the homeowner.
- **Homeowner:** Keep Installation Instructions for future reference.
- **Save** these Installation Instructions for the local electrical inspector's use.



Before installing your Wine Cellar...

Important: Observe all governing codes and ordinances.

Check that you have everything necessary for correct installation. Proper installation is your responsibility.

✓ Parts supplied for installation

Check that all parts were included.

- grille
- literature package

✓ Tools needed for installation

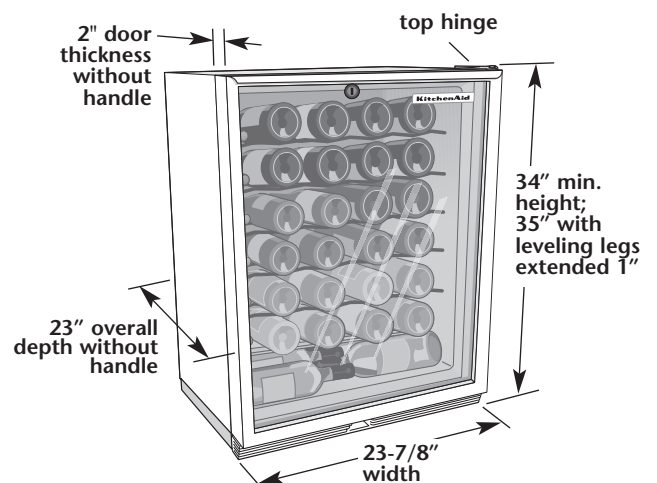
- Phillips screwdriver
- level
- 7/32" hex driver and ratchet wrench
- gloves

✓ Location for proper performance

This appliance may be installed as a freestanding or built-in unit. The location must provide the following:

- **Grounded electrical outlet** located within 4 feet of the lower left rear corner of the wine cellar.
- **Sturdy floor** to support the weight of the wine cellar (110 lb.) and contents.
- **Door clearance** large enough for door to open 90° minimum. (See "Door swing dimensions.")
- **Proper room temperature:** Room temperature should not fall below 55°F. Do Not install wine cellar near an oven, radiator, or other heat source.
- **Protection from weather, water and direct sunlight.**
- **Open space in front of the grille.** Blocking air flow in front of the wine cellar could cause wine cellar to malfunction. Do Not install wine cellar in a closet or behind a cabinet door.

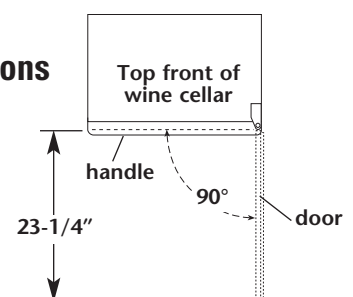
✓ Product dimensions



Built-in installation: Additional clearance is not needed for air movement. However, a 1/8" minimum clearance on sides, top and rear of unit is recommended for ease of removal or servicing.

Keep cardboard shipping piece or plywood under wine cellar until it is installed in the operating position to prevent damage to floor covering.

✓ Door swing dimensions



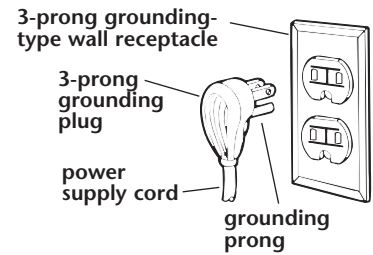
Electrical Requirements

⚠️ WARNING



Electrical Shock Hazard
Electrical ground is required.
Do Not ground to a gas pipe.
Do Not change the power supply cord plug. If it does not fit the outlet, have a proper outlet installed by a qualified electrician.
Do Not have a fuse in the neutral or grounding circuit.
Do Not use an extension cord.
Check with a qualified electrician if you are not sure wine cellar is properly grounded.
It is the customer's responsibility to contact a qualified electrical installer; and to assure that the electrical installation is adequate and in conformance with all national and local codes and ordinances.
Failure to follow these instructions could result in death or electrical shock.

If codes permit and a separate grounding wire is used, it recommended that a qualified electrician determine that the grounding path is adequate.



A 120-volt, 60-Hz, AC-only, 15- or 20-ampere, fused, electrical supply is required. A time-delay fuse or circuit is recommended. It is recommended that a separate circuit serving only this wine cellar be provided.

This wine cellar is equipped with a power supply cord having a 3-prong grounding plug. To minimize possible shock hazard, the cord must be plugged into a mating 3-prong, grounding-type wall receptacle, grounded in accordance with all national and local codes and ordinances.

Now start...

⚠️ WARNING

Injury Hazard

Because of the weight and size of the wine cellar, two or more people are required to install it. All four leveling legs must contact the floor to support and stabilize

the weight of the wine cellar and contents. Failure to follow these instructions could result in injury.

Important: Observe all governing codes and ordinances.

Do not lift the wine cellar by the door handle.

Slide wine cellar onto cardboard or hardboard before moving to prevent floor damage.

Do Not touch the sharp condenser fins.

A. Prepare wine cellar for installation

1. Remove tape, grille and literature/parts packages from wine cellar. Wipe interior with damp cloth to remove any dust.

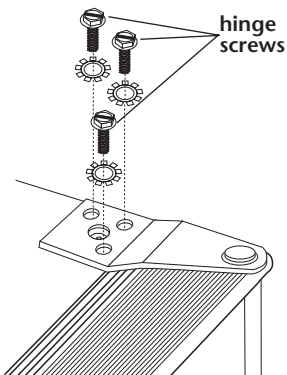
2. Put on protective gloves.

B. Reverse door swing (optional)

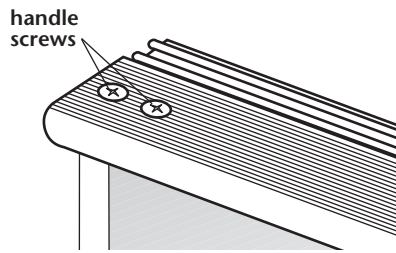
If not changing door swing, go to "C. Check door seal."

Be careful not to scratch or chip paint.

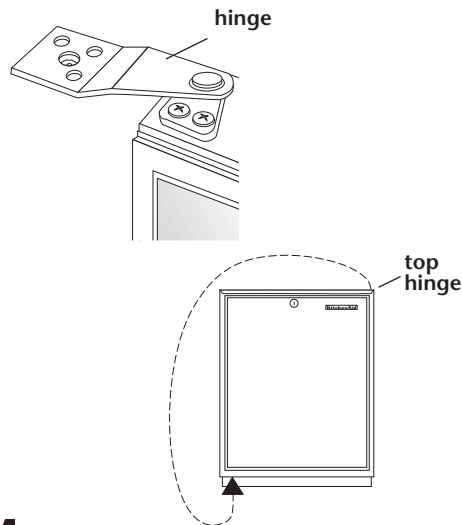
1. Place a large towel or soft cloth on top of wine cellar.



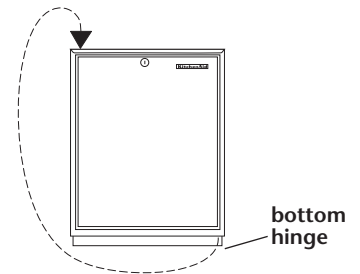
2. With wine cellar door closed, first remove bottom hinge screws and then top hinge screws from cabinet with a ratchet wrench. Grasp sides of door and lift door off cabinet. Do Not lift door by handle. Carefully set door on top of wine cellar with handle side up.



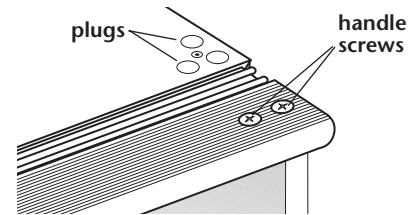
3. Remove the handle screws from top of door.



4. Remove top hinge from door. Turn top hinge upside down and attach it on bottom of door opposite the bottom hinge.



5. Remove bottom hinge from door. Turn bottom hinge upside down and attach it on the top, opposite corner of door.



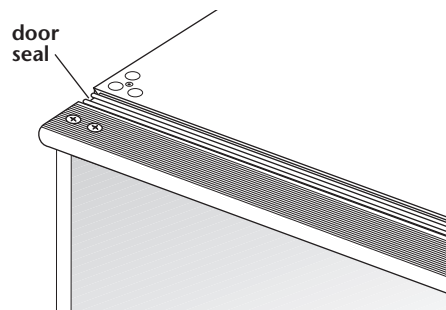
6. Install handle screws in holes where hinges were removed from door.

7. Remove screw hole plugs from top hinge holes in cabinet. Insert screw hole plugs in hinge holes on opposite side of cabinet.

8. Grasping sides of door, align hinge with holes in cabinet. Attach door at top and then at bottom with screws.

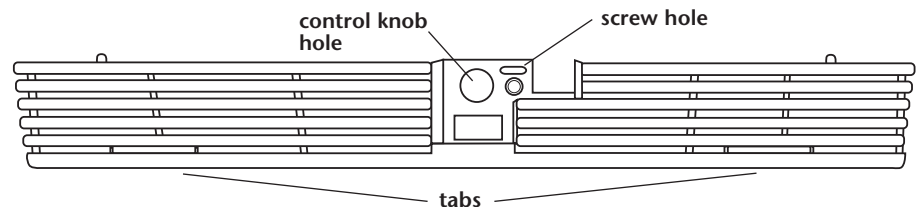
C. Check door seal

Door must be squared to the cabinet to ensure proper seal.



1. Slowly open and close door to check for proper seal and to make sure door looks level. If door is not level:
 - Loosen (do not remove) the top hinge screws.
 - Realign door so that it is squared to cabinet.
 - Tighten hinge screws.

D. Attach grille

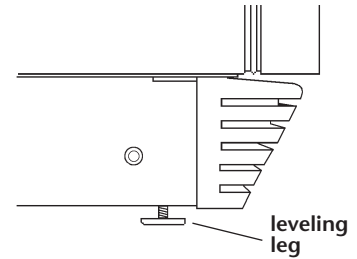


1. Pull control knob to remove.
2. Use a 7/16" ratchet wrench to remove the screw next to control knob.
3. Hook two tabs on bottom of grille over edge of wine cellar base. Push grille into place.
4. Reinstall grille screw.
5. Align openings in control knob with rods on wine cellar base. Push control knob into place. Do Not force the control knob.

E. Level wine cellar

Wine cellar must be level to assure proper performance and prevent tipping.

1. Move wine cellar close to its final location. Remove cardboard or hardboard from under wine cellar.

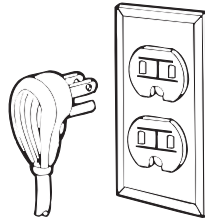


2. Check levelness of wine cellar by placing a level on top of wine cellar, first side to side, then front to back. If wine cellar is not level, turn wine cellar legs clockwise to raise wine cellar; counterclockwise to lower it.

F. Check operation

1. Check that you:

- ✓ Did not skip any steps.
- ✓ Installed all parts.
- ✓ Leveled wine cellar.
- ✓ Have all the tools you started with.



2. Plug power supply cord into grounded outlet. Slide wine cellar into final position. Turn power supply on.

3. Read the Use and Care Guide to fully understand your new wine cellar.

If wine cellar does not operate properly, check the following:

- ✓ Power supply cord is plugged in.
- ✓ House fuse is intact and tight; or circuit breaker has not tripped.

Need assistance or service?

Call a KitchenAid-authorized service company. To get the name and telephone number of your nearest KitchenAid-authorized service company:

- Call the dealer from whom you purchased the appliance; or
- Check the Yellow Pages of your telephone directory under "Appliances — Household — Major — Service or Repair;" or
- Call the KitchenAid Consumer Assistance Center toll-free telephone number: (800) 422-1230.

When you call, you will need the wine cellar model number and serial numbers. Both numbers are on the model/serial rating plate located on the inside right wall of the wine cellar cabinet.