

KitchenAid®

HOME APPLIANCES

Installation Instructions

Part No. 9752387

	⚠ WARNING
	ALL RANGES CAN TIP <ul style="list-style-type: none">• INJURY TO PERSONS COULD RESULT• INSTALL ANTI-TIP DEVICE PACKED WITH RANGE• SEE INSTALLATION INSTRUCTIONS

IMPORTANT:
Read and save
these instructions.

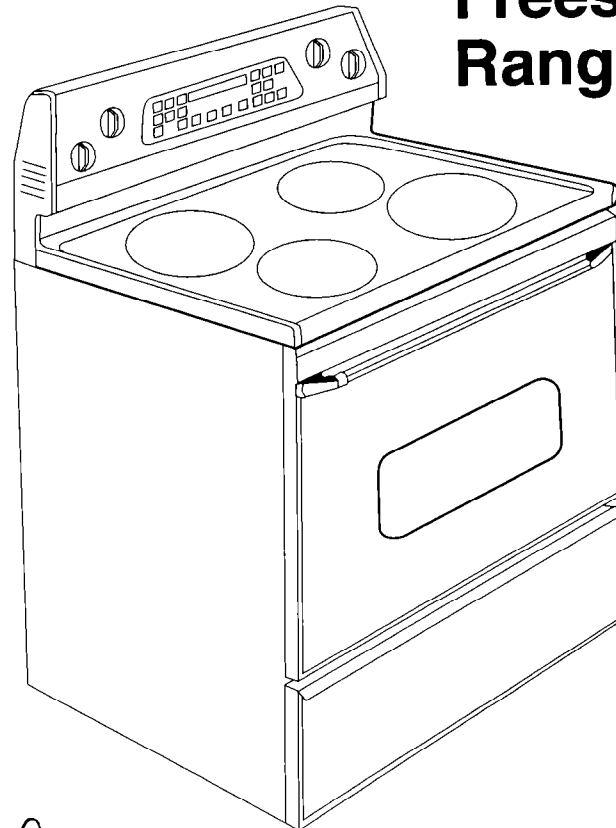
IMPORTANT:

Installer: Leave Installation Instructions with the homeowner.

Homeowner: Keep Installation Instructions and anti-tip bracket template for future reference.

Save Installation Instructions for local electrical inspector's use.

**30" Electric
Freestanding
Range**



8-96

Before you start...

Read electrical and carpentry instructions.

Proper installation is your responsibility. A qualified technician must install this range. Make sure you have everything necessary for correct installation. It is the customer's responsibility to make sure that the countertop has been properly prepared and that the installation clearances specified on the model/serial rating plate are met. The model/serial rating plate is located on the oven frame behind the door.

Check location where range will be installed. The range should be located for convenient use in the kitchen. Recessed installations must provide complete enclosure of the sides and rear of range.

ALL OPENINGS IN THE WALL OR FLOOR WHERE RANGE IS TO BE INSTALLED MUST BE SEALED.

IMPORTANT: Some cabinet and building materials are not designed to withstand the heat produced by the oven for baking and self-cleaning. Check with your builder or cabinet supplier to make sure that the materials used will not discolor, delaminate or sustain other damage.

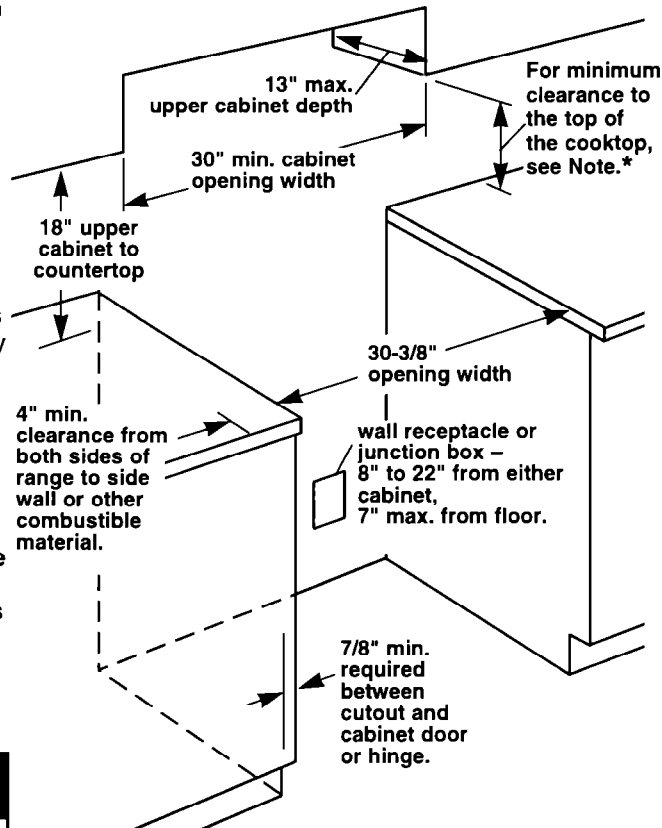
It is the customer's responsibility:

To contact a qualified electrical installer.

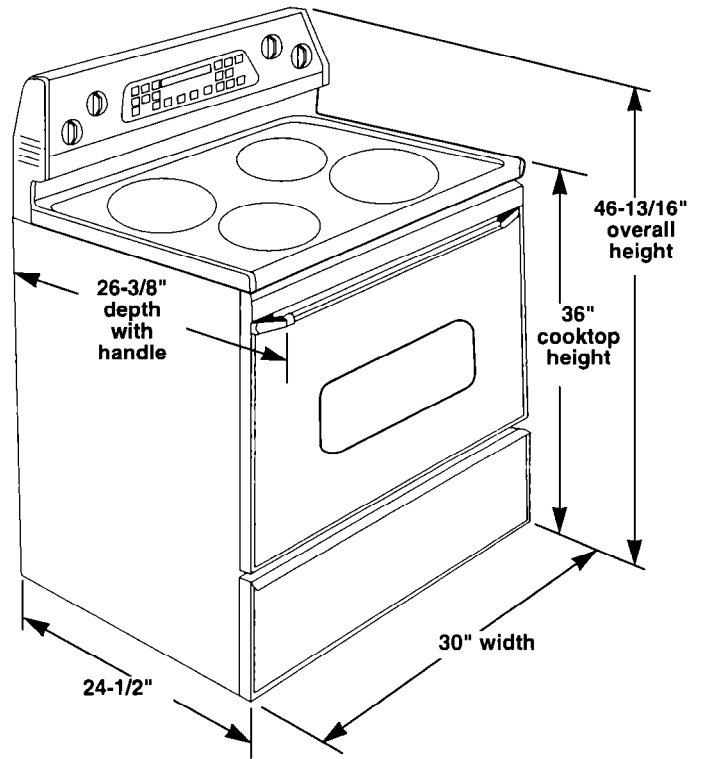
To assure that the electrical installation is adequate and in conformance with National Electrical Code, ANSI/NFPA 70 — latest edition*, and all local codes and ordinances.

Cabinet opening dimensions

25" countertop depth
24" base cabinet depth
36" countertop height



Product dimensions



WARNING

Injury Hazard

To eliminate the risk of burns or fire, avoid installing cabinet storage above the cooking surface. If cabinets are already installed, reduce the hazard of reaching over a heated cooking surface by installing a range hood. The range hood should extend a minimum of 5 inches out from the bottom front of the cabinets.

Reaching over a heated cooking surface could result in a serious burn.

Mobile home installation

The installation of this range must conform to the Manufactured Home Construction and Safety Standards, Title 24 CFR, Part 3280 (formerly the Federal Standard for Mobile Home Construction and Safety, Title 24, HUD, Part 280); or when such standard is not applicable, the Standard for Manufactured Homes Installations (Manufactured Home Sites, Communities and Setups), ANSI A225.1/NFPA 501A, or with local codes*.

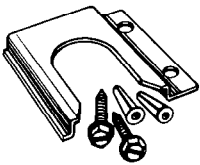
When this range is installed in a mobile home, it must be secured to the floor during transit. Any method of securing the range is adequate as long as it conforms to the standards listed above.

Four-wire power supply cable must be used in a mobile home installation. The appliance wiring will need to be revised. See four-wire electrical connection, Panel B.

Copies of the standards listed may be obtained from:

* National Fire Protection Association
Battery March Park
Quincy, Massachusetts 02269

Anti-tip bracket:



The floor anti-tip bracket **MUST** be installed. To install the anti-tip bracket shipped with the range, see Panel C and the anti-tip bracket template.

Important: Observe all governing codes and ordinances.

Grounded electrical outlet is required. See "Electrical requirements," Panel B.

Cabinet opening dimensions that are shown must be used.

Do Not pinch the power supply cord between the range and the wall.

Do Not seal range to side cabinets.

* Note: 24" min. when bottom of wood or metal cabinet is protected by not less than 1/4" flame retardant millboard covered with not less than No. 28 MSG sheet steel, 0.015" (0.4 mm) stainless steel, 0.024" aluminum or 0.020" copper.

30" min. clearance between the top of the cooking platform and the bottom of an unprotected wood or metal cabinet.

Electrical requirements

WARNING



Electrical Shock Hazard

Electrically ground range.

Failure to follow this instruction could result in death, fire or electrical shock.

If codes permit and a separate grounding wire is used, it is recommended that a qualified electrician determine that the grounding path is adequate.

Do Not ground to a gas pipe.

Check with a qualified electrician if you are not sure range is grounded.

Do Not have a fuse in the neutral or grounding circuit.

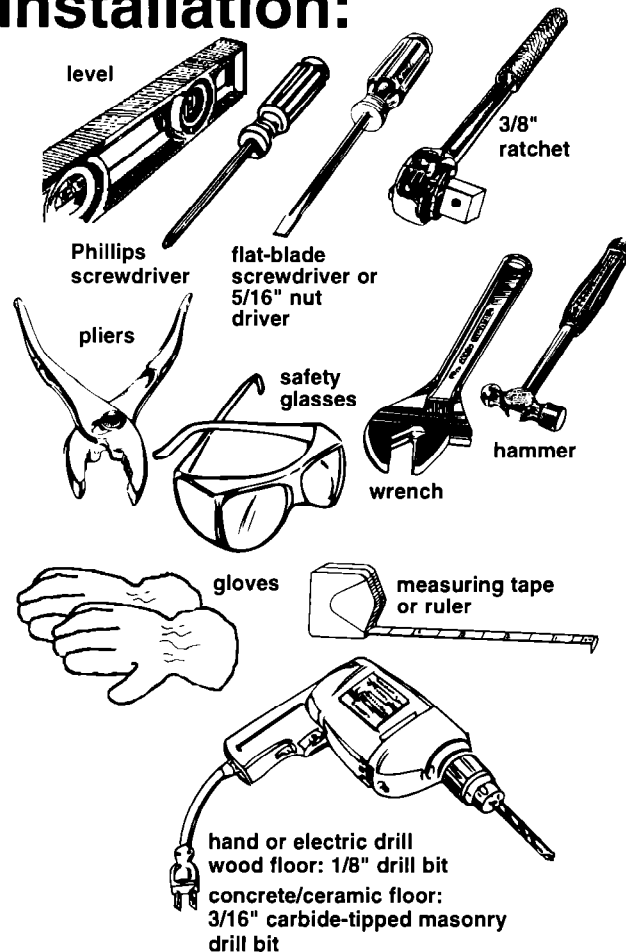
Only a power supply cord kit rated at 250 volts, 40 amperes and investigated for use with ranges should be used.

Do Not plug the "pigtail" power cord into a live wall receptacle before the cord is permanently connected to the terminal block.

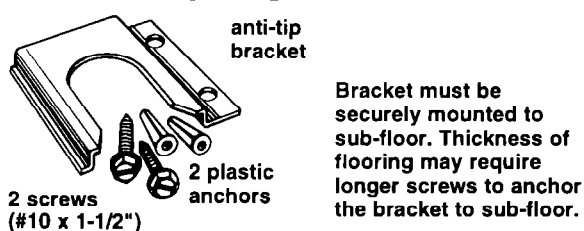
A. A four-wire or three-wire, single-phase, 120/240-volt, 60-Hz; 50-amp, AC-only, electrical supply (or four-wire or three-wire 120/208-volt if specified on the model/serial rating plate) is required on a separate 40-ampere circuit, fused on both sides of the line. A time-delay fuse or circuit breaker is recommended. The model/serial rating plate is located on the oven frame behind the door.

B. THE RANGE MUST BE CONNECTED WITH COPPER WIRE ONLY.

Tools needed for installation:



Parts supplied for installation:





4-wire wall receptacle (14-50R) Figure 1



3-wire wall receptacle (10-50R) Figure 2

C. Four-wire installation is recommended requirement for mobile homes: This appliance is manufactured with ground connected to cabinet. **The ground must be revised** so the green grounding wire of the four-wire power supply cord is connected to the cabinet.

When a four-wire receptacle of NEMA type 14-50R is used (See Figure 1), a matching U.L.-listed, four-wire, 250-volt, 40-ampere, range power supply cord (pigtail) must be used. This cord contains four copper conductors with ring terminals on the appliance end, terminating in a NEMA Type 14-50P plug on the supply end. The fourth (grounding) conductor must be identified by a green or green/yellow cover and the neutral conductor by a white cover. Cord should be Type SRD or SRDT with a U.L.-listed strain relief and be at least four feet long.

The **MINIMUM** conductor sizes for the copper four-wire power supply cord are:

- 40-ampere circuit
- 2, No.-8 conductors
- 1, No.-10 white neutral
- 1, No.-8 green grounding

D. Three-wire installation if a four-wire system is not available: Local codes may permit the use of a U.L.-listed, 250-volt, 40-ampere range power supply cord (pigtail). This cord contains three, No.-10 copper wires and matches a three-wire receptacle of NEMA Type 10-50R, shown in Figure 2. Connectors on the appliance end must be ring terminals. A U.L.-listed strain relief must be used to connect the power supply cord to the range.

E. This range should be connected directly to the fused disconnect or circuit breaker box through flexible, armored or non-metallic sheathed, copper cable (with grounding wire). Locate the junction box to allow two to three feet of slack in the line so that the range can be moved if servicing is ever necessary. Do Not cut the conduit.

A U.L.-listed conduit connector **must** be provided at each end of the power supply cable (at the range and at the junction box).

F. Wire sizes and connections must conform to the requirements of the National Electrical Code, ANSI/NFPA 70 — latest edition (*, see Panel A) and all local codes and ordinances for the kilowatt rating of the range (40-amperes).

G. The wiring diagram is also located on the back of the range.

Now start... with range in kitchen.

! WARNING

Excessive Weight Hazard

Use two or more people to move and install range. Failure to follow this instruction could result in back or other injury.

When moving range, slide range onto cardboard or hardboard to prevent damaging the floor covering.

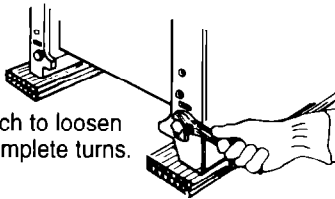
1. Put on safety glasses and gloves. Remove shipping materials, tape and protective film from range. Keep cardboard bottom and shipping base under range. Remove oven racks and parts package from inside oven.

2. Take four cardboard corners from the carton. Stack one cardboard corner on top of another. Repeat with other two corners. Place them lengthwise on the floor behind the range — to support the range when it is laid on its back. Firmly grasp the range and gently lay it on its back on the cardboard corners.

3. Pull cardboard shipping base firmly to remove.

4.

Use an adjustable wrench to loosen the leveling legs four complete turns.



5.

Place cardboard or hardboard in front of range. Stand range back up onto cardboard or hardboard.

! WARNING



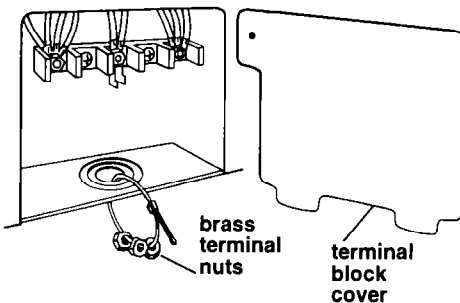
Electrical Shock Hazard

Disconnect power to the junction box before making connection.

Electrically ground range.

Failure to follow these instructions could result in death, fire or electrical shock.

This range must be connected to a grounded, metallic, permanent wiring system, or a grounding connector should be connected to the grounding terminal or wire lead on the range.



6.

Remove the terminal block cover located on the back of range.

7.

Depending on your electrical supply, make the four-wire or three-wire connection to the range following the "Power supply cord method" or "Direct wire method" instructions.

Power supply cord method:

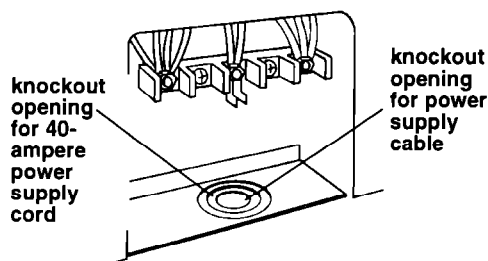


Figure 3

1. Disconnect the power supply.
2. Remove the knockout for the 40-ampere power supply cord.
3. Assemble a U.L.-listed strain relief in the opening.
4. Insert the power supply cord through the strain relief, allowing enough slack to easily attach the wiring to the terminal block.
5. Use only ring-type terminals to connect the power supply. To secure the power supply cord, use the 3/8" brass nuts attached to the knockout opening. Be sure nuts are installed tight.
6. Complete electrical connection according to your type electrical supply ("Four-wire electrical connection" or "Three-wire electrical connection").

Four-wire electrical connection:

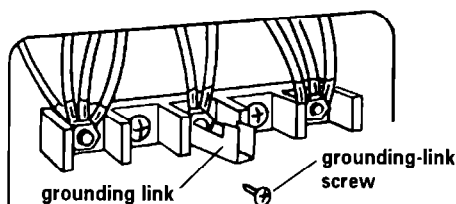


Figure 4

Use this method for mobile homes and whenever four-wire installation is required.

7. Remove the grounding-link screw from the range frame. Save the grounding-link screw. Bend up the grounding link so that it does not contact the range. See Figure 4.

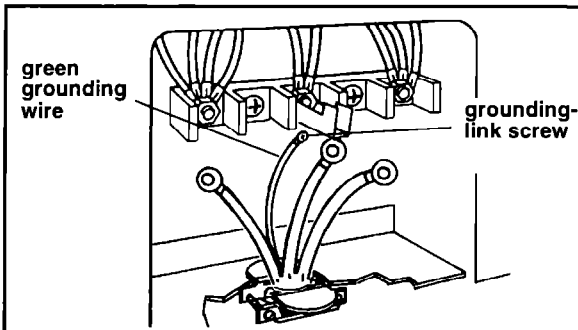


Figure 5

8. Connect the green grounding wire from power supply cord to the range using the grounding-link screw. **The grounding wire must be attached first and must not contact any other terminal.** See Figure 5.

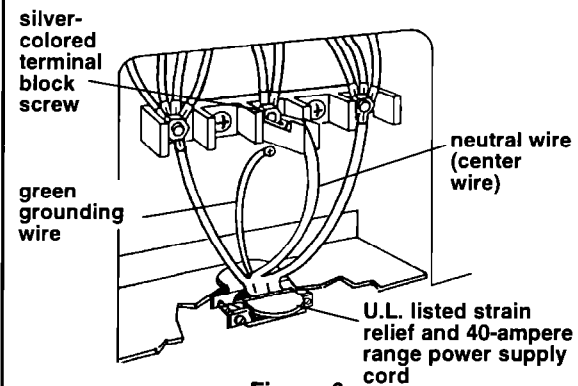


Figure 6

9. Connect the neutral (center wire) wire to the center, silver-colored terminal screw on the terminal block using the brass nuts that are attached to the terminal block cover. See Figure 6.
10. Connect the other two wires to the outer terminals on the terminal block. See Figure 6.
11. **Do Not loosen the factory installed nuts already on the terminal.** Tighten nuts with 3/8" nut driver for proper electrical connection.
12. Tighten the strain relief screws.
13. Replace the terminal block cover.

Three-wire electrical connection:

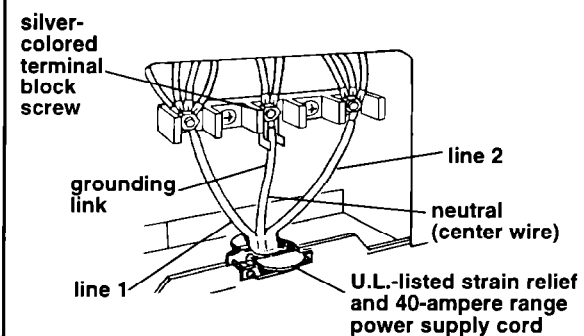
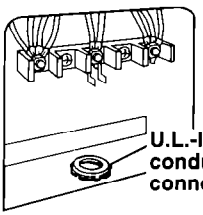
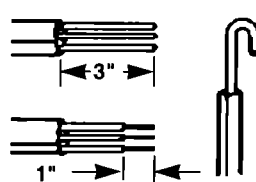


Figure 7

Use this method **ONLY** if local codes PERMIT connecting cabinet-grounding conductor to neutral wire of power supply cord.

7. Use the brass terminal nuts attached to the terminal block cover to connect the neutral wire (center wire) to the silver-colored terminal screw on the terminal block. See Figure 7.
8. Connect the other two wires to outer terminal screws on the terminal block. See Figure 7.
9. **Do Not loosen factory-installed nuts already on the terminal.** Tighten nuts with 3/8" nut driver for proper electrical connection.
10. Tighten the strain relief screws.
11. Reinstall the terminal block cover.

Direct wire method:

1. Disconnect the power supply.
2. Remove the knockout for the power supply cable.
3. Assemble a U.L.-listed conduit connector in the power supply cable opening. 
4. Strip outer covering back 3 inches from end, exposing the wires. Strip the insulation back 1 inch from the end of each wire.
5. Form the bare wire into a "U" shaped hook. 
6. Insert the power supply cable through the conduit connector, allowing enough slack to easily attach the wiring terminal block.
7. Complete electrical connection according to your type electrical supply ("Four-wire electrical connection" or "Three-wire electrical connection").

Four-wire electrical connection:

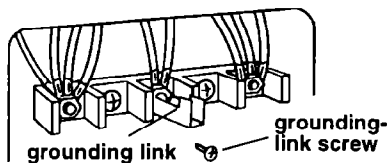


Figure 8

8. Remove the grounding-link screw from the range frame. Save the grounding-link screw. Bend up the grounding link so that it does not contact the range. See Figure 8.

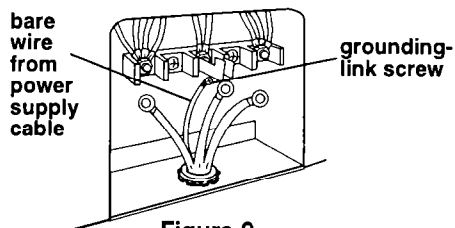


Figure 9

9. Connect the bare grounding wire from power supply cable to the range using the grounding-link screw. **The grounding wire must be attached first and must not contact any other terminal.** See Figure 9.

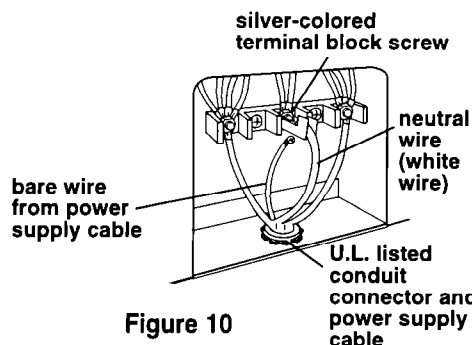


Figure 10

10. Connect the neutral wire (white wire) to the center, silver-colored terminal screw on the terminal block using the brass nuts that are attached to the terminal block cover. See Figure 10.
11. Connect the other two wires to the outer terminals on the terminal block. See Figure 10.
12. Do NOT loosen the factory installed nuts already on the terminal. Tighten nuts with 3/8" nut driver for proper electrical connection.
13. Tighten the locking ring and clamping screws of the conduit connector.
14. Replace the terminal block cover.

Three-wire electrical connection:

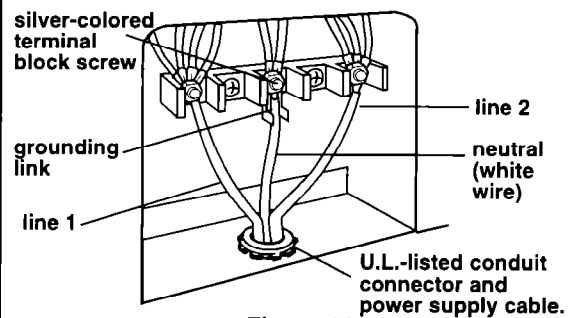


Figure 11

Use this method **ONLY** if local codes **PERMIT** connecting cabinet-grounding conductor to neutral wire of power supply cable.

8. Use the brass terminal nuts attached to the knockout opening to connect the neutral wire (white wire) to the silver-colored terminal screw on the terminal block. See Figure 11.
9. Connect the other two wires to outer terminal screws on the terminal block. See Figure 11.
10. Do Not loosen factory-installed nuts already on the terminal. Tighten nuts with 3/8" nut driver for proper electrical connection.
11. Tighten the locking ring and clamping screws of the conduit connector.
12. Reinstall the terminal block cover.

WARNING

Excessive Weight Hazard

Use two or more people to move and install range. Failure to follow this instruction can result in back or other injury.

8. Firmly grasp the range and gently lay it on its back on the cardboard corners.

9. Pull cardboard bottom and shipping base firmly to remove.

10. Place cardboard or hardboard in front of range. Stand range back up onto cardboard or hardboard.

Panel C

WARNING

Tip Over Hazard

Connect anti-tip bracket to the range.

Reconnect anti-tip bracket, if the range is moved.

Do not push down on the open oven door.

Follow the installation instructions.

Do not let children climb onto the oven door.

Failure to follow these instructions can result in death, burns, or other injury.



WARNING



Electrical Shock Hazard

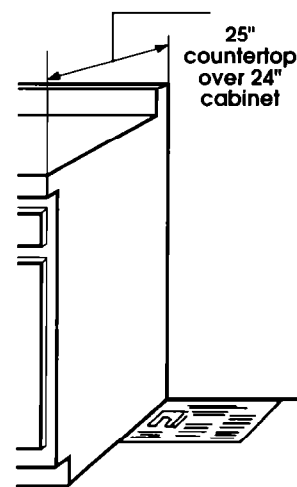
Take special care when drilling holes into the floor. Electrical wires or plumbing may be located beneath floor.

Locate the electrical circuits that could be affected by the installation of this bracket and turn off power to these circuits.

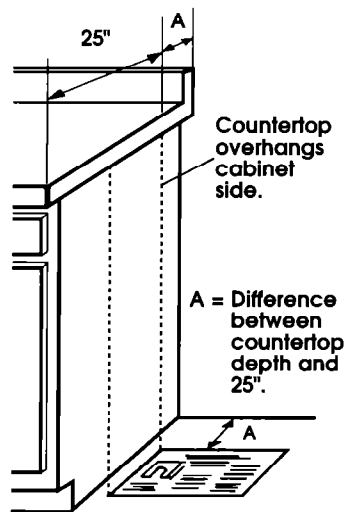
Failure to follow these instructions may result in death, fire or electrical shock.

11.

Place the anti-tip bracket template on the floor in the cabinet opening so that the left edge is against cabinets and the top edge is against the rear wall, molding or cabinet.



If countertop opening is deeper than 25 inches, measure and mark a distance 25 inches in from front of **countertop opening** and align template with mark (or subtract 25 inches from countertop depth and add the difference to the corresponding dimension). If countertop is not flush to the side of cabinet opening, align the left side of the template to allow for the countertop overhang. Tape the range anti-tip bracket template in place.

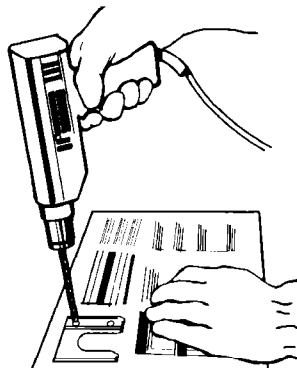


Contact a qualified floor covering installer for the best procedure of drilling mounting holes through your type floor covering. Before moving, slide range onto cardboard or hardboard.

12.

To mount anti-tip bracket to wood floor, use the anti-tip bracket template to mark where to drill mounting holes. Use a drill with a 1/8" drill bit to drill the two holes. Remove template from floor.

To mount anti-tip bracket to concrete or ceramic floor, use the anti-tip bracket template to mark where to drill mounting holes. Use a drill with a 3/16" masonry drill bit to drill the two holes. Remove template from floor. Tap plastic anchors into mounting holes in floor with hammer.



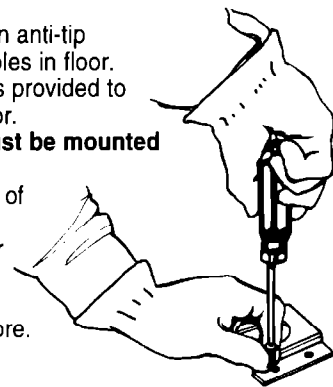
13.

Line up holes in anti-tip bracket with holes in floor.

Use the screws provided to fasten anti-tip bracket to floor.

NOTE: Anti-tip bracket must be mounted securely to the sub floor.

Depending on the thickness of your flooring, longer screws may be necessary to anchor the bracket to the sub floor. Longer screws are available from your local hardware store.



14.

Move range close to cabinet opening.

Plug power supply cord into grounded outlet or connect power supply cable to junction box. See "Electrical requirements," panels A and B for details. "88:88" should appear in the clock display.

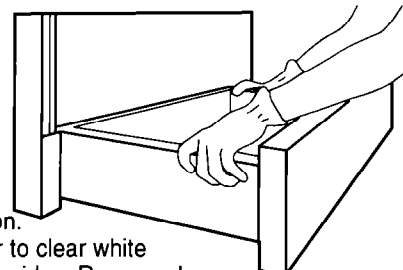
15.

Remove cardboard or hardboard from under range. Carefully move range into final position.

16.

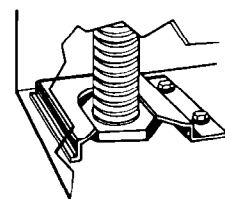
Press on front of storage drawer and release to open. Pull open to first stop position.

Lift front of drawer to clear white wheels in drawer guides. Remove drawer and set it aside on a protected surface.



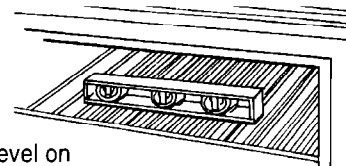
17.

Look under range (a flashlight may be needed) to check that left rear leveling leg is engaged in the anti-tip bracket. If leveling leg is not properly engaged, remove and reposition the anti-tip bracket to insure that the leveling leg fits properly in the anti-tip bracket.



18.

Place rack in oven. Place level on rack, first side to side; then front to back. If the range is not level, pull range forward until the rear leveling leg is removed from the anti-tip bracket. Adjust the leveling legs up or down. Then slide range back into position. Check that leveling leg is engaged in anti-tip bracket. **NOTE: Oven must be level for satisfactory baking conditions.**

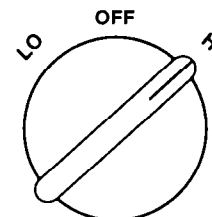


19.

Insert storage drawer into slide rails on sides of drawer opening. Lift front of drawer slightly and push firmly to close drawer.

20.

Push in and turn each surface unit control knob to "HI" position. Check the operation of the cooktop elements and indicator lights.



21.

Press the "Clock Set" button. "TIME, HR AND MIN" will light up in the display. "0:00" will appear and the ":" will be flashing. Press the number buttons for the correct time of day. Press "Start/Enter" button to start the clock.

22.

Check the operation of the oven element. Press the "BAKE" button. "350°" will appear in the temperature display. The ON, Bake Element, Outer Broil Element and Oven Cavity symbols will light up in the display. Press the "Start/Enter" button. The bottom element should glow red and the indicator light should be on. The upper element should become hot but not glow red. The oven indicator light goes off when the oven is preheated. Press "Cancel/OFF" button.

23.

Check the operation of the broil element. Press the "BROIL" button. "500°" will appear in the temperature display. The ON, Inner and Outer Broil Elements and Oven Cavity symbols will light up in the display. Press the "Start/Enter" button. The top element should glow red and the indicator light should be on.

Press the "Cancel/OFF" button.

If range does not operate...

- Check that the circuit breaker is not tripped or the house fuse blown.
- Check that power supply cord is plugged into wall receptacle.

NOTE:

Refer to Use and Care Guide for operating instructions and cleaning instructions.

WARNING



Injury Hazard

Because of the weight and size of this range, two or more people are required to move it.

All ranges can tip.

Do Not step, lean or sit on the range drawer or door.

The anti-tip device packed with range must be installed. See Installation Instructions.

Failure to follow these instructions could result in injury.

For cleaning and maintenance...

If removing the range is necessary for cleaning or maintenance, disconnect the electrical supply.

If electrical supply is inaccessible, lift the range slightly at the front and pull the range away from the wall. Pull the range out only as far as necessary to disconnect the electrical supply line.

Remove the range to complete cleaning or maintenance.

Move range back into operating position. Remove drawer. Level the range. Reconnect the electrical supply. Make sure that left rear leveling leg is engaged in the anti-tip bracket.

If you need assistance...

The KitchenAid Consumer Assistance Center will answer any questions about operating or maintaining your range not covered in the Installation Instructions. The KitchenAid Consumer Assistance Center is open 24 hours a day, 7 days a week. Just dial 1-800-422-1230 – the call is free within the continental United States.

When you call, you will need the range model number and serial number. Both numbers can be found on the model/serial rating plate located on the oven frame behind the door.

If you need service...

In the event that your KitchenAid appliance should need service, call the dealer from whom you purchased the appliance or a KitchenAid-authorized service company. A KitchenAid-authorized service company is listed in the Yellow Pages of your telephone directory under "Appliances – Household – Major – Service and Repair." You can also obtain the service company's name and number by dialing, free within the continental United States, the KitchenAid Consumer Assistance Center telephone number, 1-800-422-1230. A special operator will tell you the name of your nearest KitchenAid-authorized service company.

Maintain the quality built into your KitchenAid appliance — call a KitchenAid-authorized service company.

KitchenAid®
HOME APPLIANCES

Part No. 9752387

© 1996 KitchenAid

® Registered Trademark of KitchenAid.

Prepared by KitchenAid, Benton Harbor, Michigan 49022

Printed in Canada