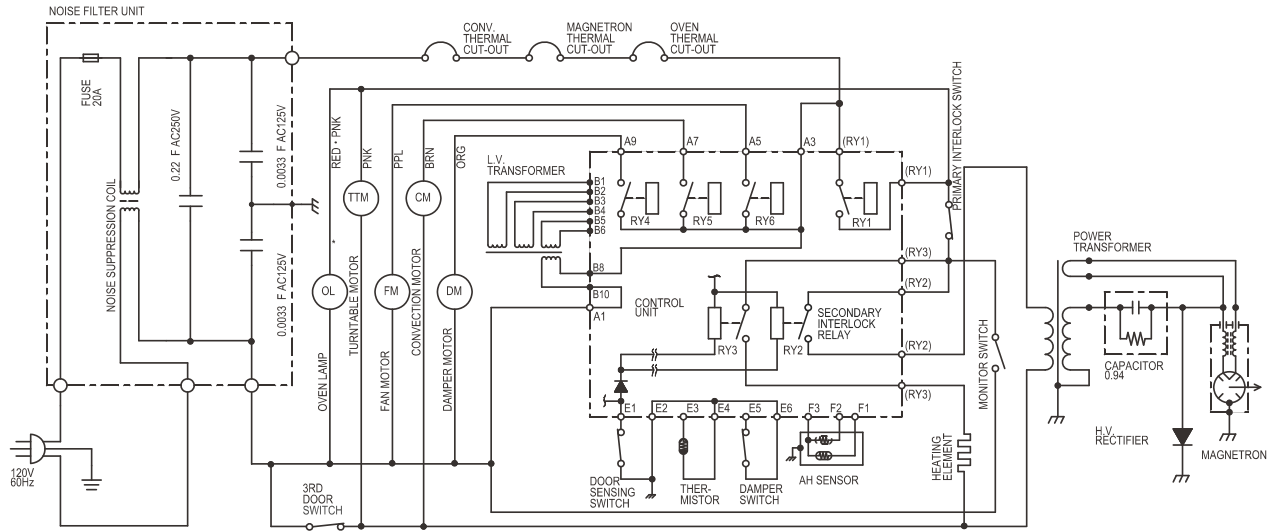


**WIRING DIAGRAM**

**SCHEMATIC**  
 NOTE: CONDITION OF OVEN  
 1. DOOR CLOSED.  
 2. CLOCK APPEARS ON DISPLAY.

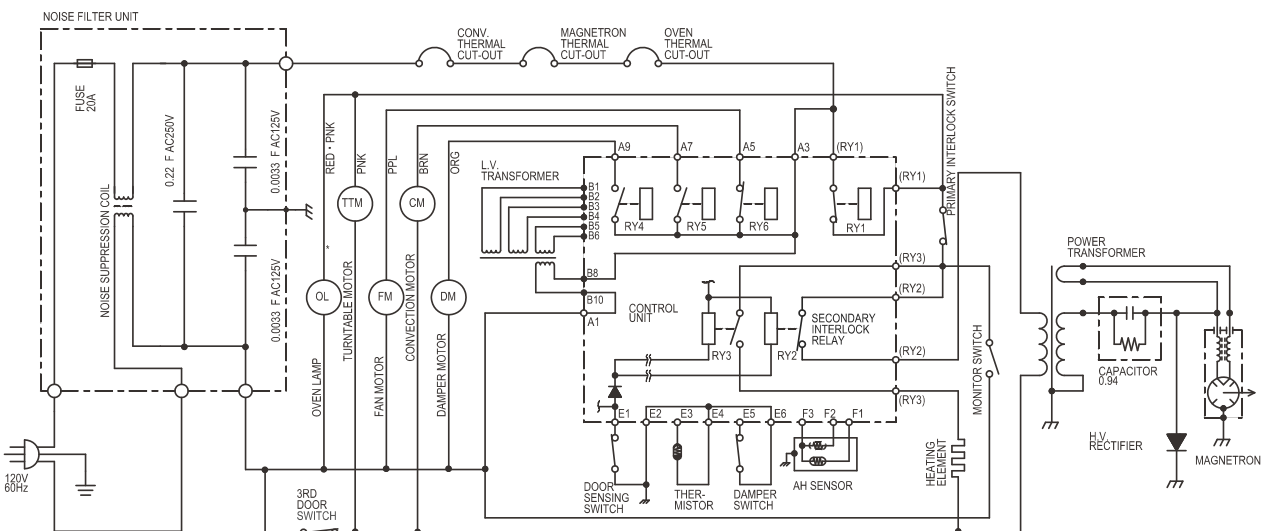
SCHEMATIC DIAGRAM (DOOR CLOSED, COOK OFF CONDITION)



- NOTE: 1. CIRCUITS SUBJECT TO CHANGE WITHOUT NOTICE  
 2. WIRE COLOR CODES ARE APPLICABLE TO PRIMARY CIRCUIT ONLY AND NOT APPLICABLE TO LOW VOLTAGE CIRCUIT AND SECONDARY CIRCUIT  
 \*3. HOT WIRE(S) MUST BE CONNECTED TO THE TERMINAL WITH BLUE MARK ON THE LAMP SOCKET AND "H" MARK ON THE POWER SUPPLY CORD.

**Figure O-1. Oven Schematic-OFF Condition**

**SCHEMATIC**  
 NOTE: CONDITION OF OVEN  
 1. DOOR CLOSED.  
 2. COOKING TIME PROGRAMMED.  
 3. "START" PAD TOUCHED.



- NOTE: 1. CIRCUITS SUBJECT TO CHANGE WITHOUT NOTICE  
 2. WIRE COLOR CODES ARE APPLICABLE TO PRIMARY CIRCUIT ONLY AND NOT APPLICABLE TO LOW VOLTAGE CIRCUIT AND SECONDARY CIRCUIT  
 \*3. HOT WIRE(S) MUST BE CONNECTED TO THE TERMINAL WITH BLUE MARK ON THE LAMP SOCKET AND "H" MARK ON THE POWER SUPPLY CORD.

**Figure O-2. Oven Schematic-Microwave Cooking Condition**