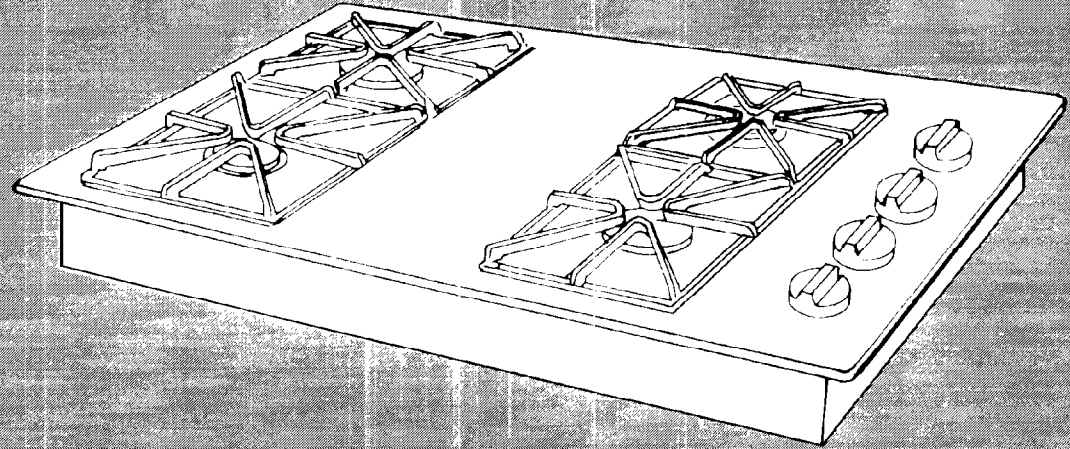


# Installation Instructions



Part No. 202887-1100 Rev. 3/4372169 Rev. C

**IMPORTANT:**  
Read and save  
these instructions.

**IMPORTANT:**

**Installer:** Leave Installation Instructions with the homeowner.

**Homeowner:** Keep Installation Instructions for future reference.

**Save** Installation Instructions for local electrical inspector's use.

**Note:** This cooktop is manufactured for use with Natural gas. To convert for use with L.P./Propane gas requires Kit No. 4372174 (for use with model SC 8630 EB series only), available from your Whirlpool dealer or authorized parts distributor.

**30" Gas  
Sealed Burner  
Cooktop**



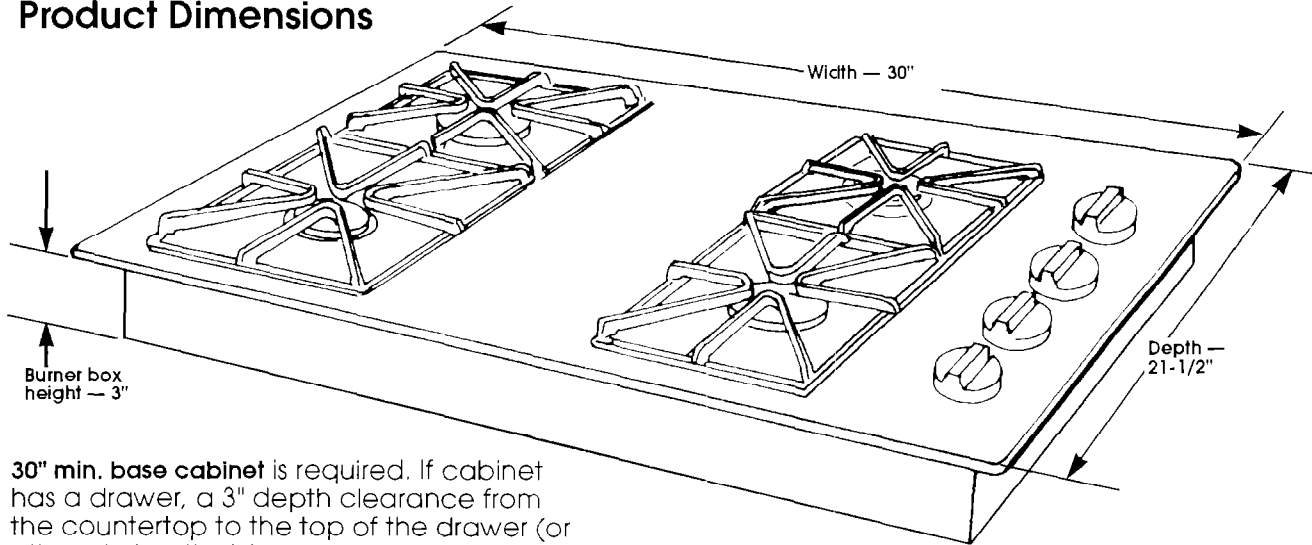
7/04

## Before you start...

Proper installation is your responsibility. Make sure you have everything necessary for correct installation. It is the responsibility of the installer to comply with the installation clearances specified on the serial/rating plate. The serial/rating plate can be found on the underside of the cooktop burner box.

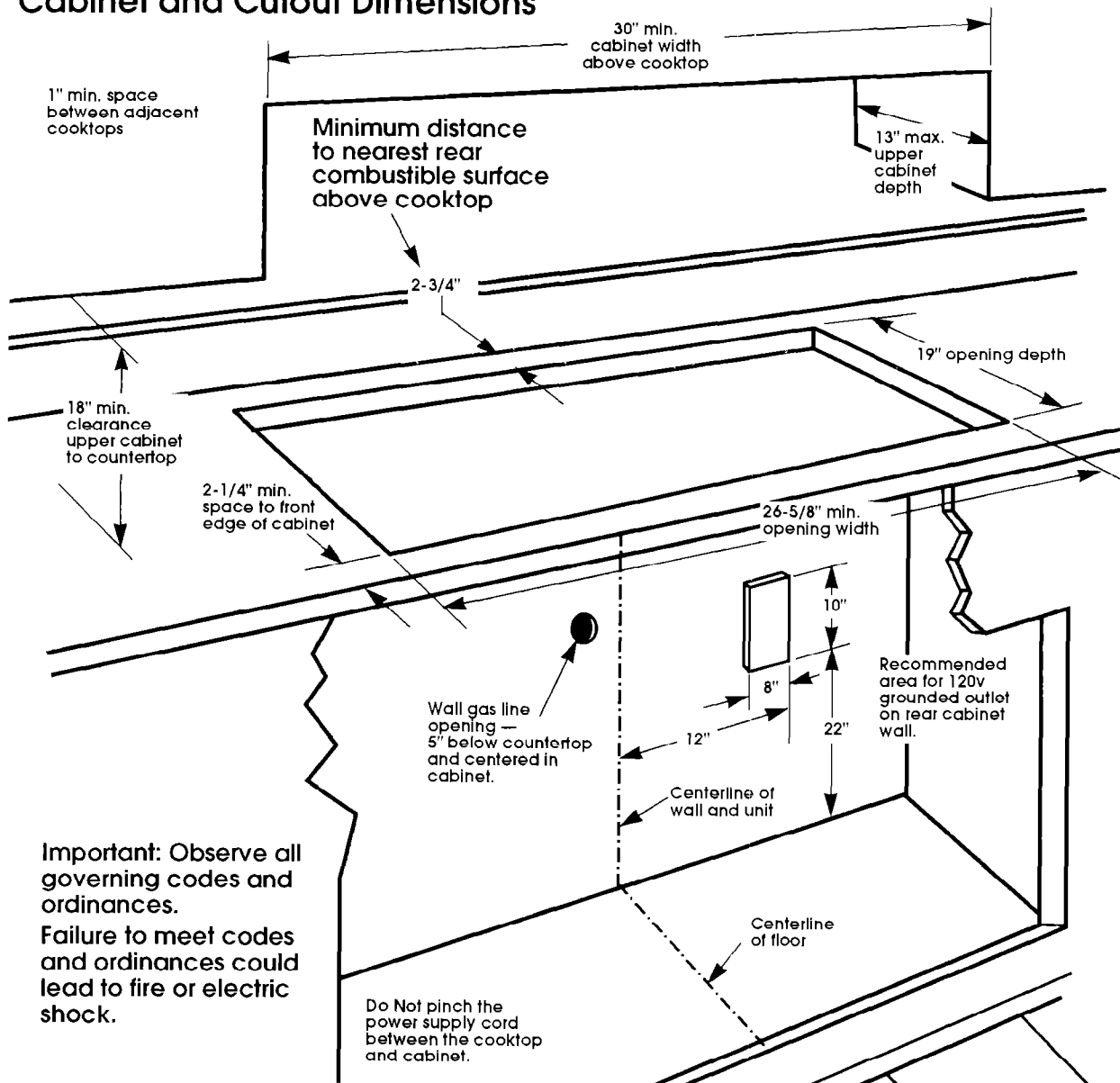
**Note:** This cooktop is manufactured for use with Natural gas. To convert for use with L.P./Propane gas requires Kit No. 4372174, available from your Whirlpool dealer or authorized parts distributor.

## Product Dimensions



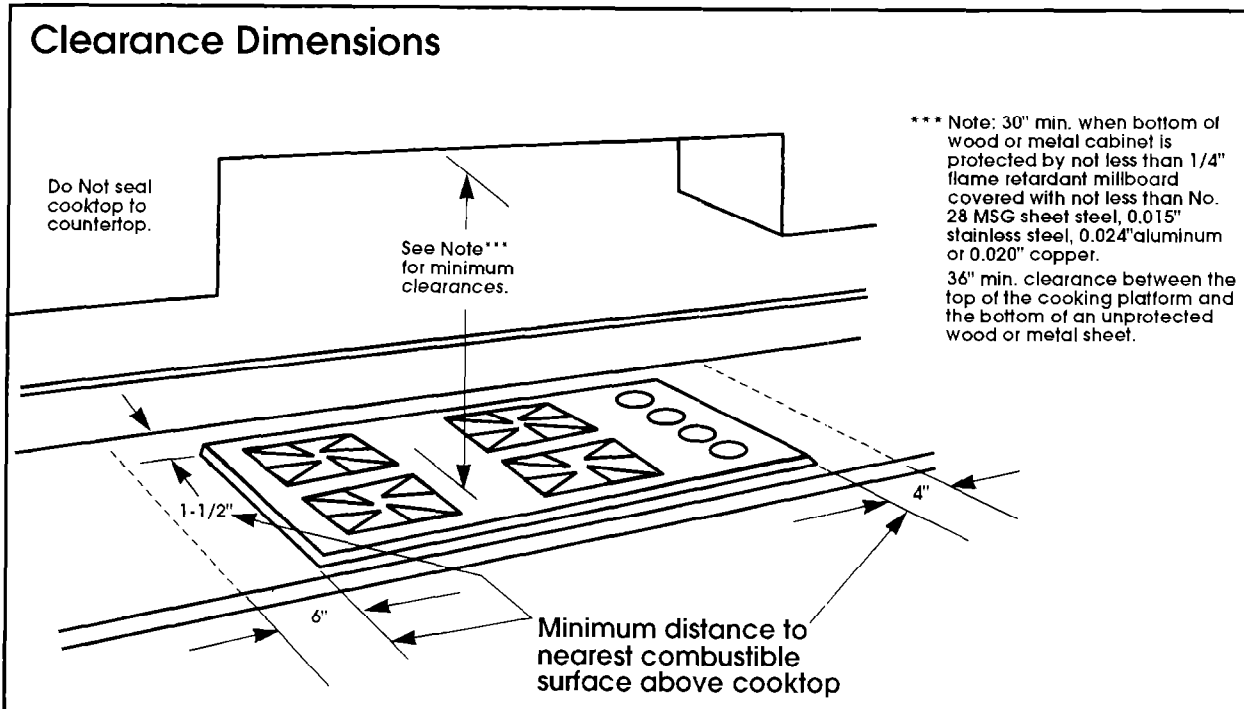
30" min. base cabinet is required. If cabinet has a drawer, a 3" depth clearance from the countertop to the top of the drawer (or other obstruction) in base cabinet is required.

## Cabinet and Cutout Dimensions



**Important:** Observe all governing codes and ordinances. Failure to meet codes and ordinances could lead to fire or electric shock.

## Clearance Dimensions



This cooktop is not approved for use with downdraft vent systems.

**Check location** where cooktop will be installed. The location should be away from strong draft areas, such as windows, doors and strong heating vents or fans. The cooktop should be located for convenient use in the kitchen.

ALL OPENINGS IN THE WALL OR FLOOR WHERE THE COOKTOP IS TO BE INSTALLED MUST BE SEALED.

Grounded electrical outlet is required. See "Electrical requirements."

Proper gas supply connection must be available. See "Gas supply requirements."

Countertop opening dimensions that are shown must be used. Given dimensions provide required 0" clearance.

**Important:** Observe all governing codes and ordinances. Failure to meet codes and ordinances could lead to fire or electrical shock.

**WARNING:** If the information in this manual is not followed exactly, a fire or explosion may result causing property damage, personal injury or death.

- Do Not store or use gasoline or other flammable vapors and liquids in the vicinity of this or any other appliance.
- **WHAT TO DO IF YOU SMELL GAS**
  - Do Not try to light any appliance.
  - Do Not touch any electrical switch; Do Not use any phone in your building.
  - Immediately call your gas supplier from a neighbor's phone. Follow the gas supplier's instructions.
  - If you cannot reach your gas supplier, call the fire department.
- Installation and service must be performed by a qualified installer, service agency or the gas supplier.

## ! WARNING

### Fire Hazard

Do Not obstruct the flow of combustion and ventilation air.

### Personal Injury Hazard

Avoid installing cabinet storage above the cooking surface. If cabinets are already installed, reduce the hazard of reaching over a heated cooking surface by installing a range hood. The range hood should extend a minimum of 5 inches out from the bottom front of the cabinets. Reaching over a heated cooking surface could result in a serious burn or other personal injury.

### Electrical Shock Hazard

It is the customer's responsibility:

- To contact a qualified electrical installer.
- To assure that electrical installation is adequate and in conformance with National Electrical Code ANSI/NFPA 70 — latest edition\* and all local codes and ordinances.

Failure to do so could result in fire, electrical shock or other personal injury.

Take special care when drilling holes into the wall for electrical wiring. Electrical wires may be concealed behind the wall covering.

Failure to do so could result in fire, electrical shock or other personal injury.

### Mobile home installation

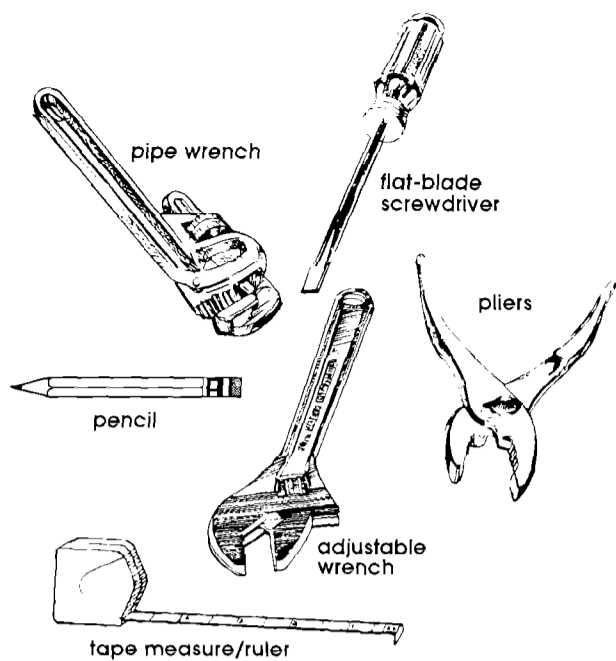
The installation of this cooktop must conform to the Manufactured Home Construction and Safety Standards, Title 24 CFR, Part 3280 (formerly the Federal Standard for Mobile Home Construction and Safety, Title 24, HUD Part 280); or when such standard is not applicable, the Standard for Manufactured Home Installations 1982 (Manufactured Home Sites, Communities and Setups), ANSI A225.1/NFPA 501A — 1987, or latest edition, or with local codes.

Copies of the standards listed may be obtained from:

\*National Fire Protection Association  
Batterymarch Park  
Quincy, Massachusetts 02269

\*\*American Gas Association  
1515 Wilson Boulevard  
Arlington, Virginia 22209

## Tools needed for installation:



## Gas supply requirements

Observe all governing codes and ordinances.

### ⚠ WARNING

#### Fire Hazard

- Cooktop must be connected to a regulated gas supply.
  - Do Not use an open flame to test for leaks from gas connections.
  - New, A.G.A. design-certified, flexible gas line should be used when codes permit.
- Failure to follow these instructions could result in a fire, explosion or personal injury.

**A.** This installation must conform with local codes and ordinances. In the absence of local codes, installations must conform with American National Standard, National Fuel Gas Code ANSI Z223.1 — latest edition.\*\*

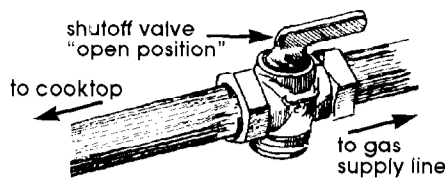
**B.** Input ratings shown on the serial/rating plate are for elevations up to 2,000 feet. For elevations above 2,000 feet, ratings are reduced at a rate of 4% for each 1,000 feet above sea level.

**C.** The sealed gas cooktop is manufactured for use with NATURAL gas. Conversion to L.P. gas can be made with Kit No. 4372174, available from your Whirlpool dealer or authorized parts distributor. No attempt shall be made to convert the appliance from the gas specified on the serial/rating plate for use with a different gas without consulting the servicing gas supplier. Conversion must be done by a qualified service technician using only the kit number specified.

**D.** Provide a gas supply line of 3/4" rigid pipe to the cooktop location. A smaller size pipe on long runs may result in insufficient gas supply. Pipe-joint compounds, made for use with NATURAL and L.P. gas, must be used.



**E.** If local codes and ordinances permit, A.G.A. design-certified, flexible metal tubing is recommended for connecting this cooktop to the gas supply line. Do Not kink or damage the flexible tubing when moving the cooktop. A 1/2" male pipe thread is needed for connection to pressure regulator female pipe threads.



**F.** The supply line shall be equipped with an approved shutoff valve. This valve should be located in the same room as the cooktop and should be in a location that allows ease of opening and closing. Do Not block access to shutoff valve. The valve is for turning on or shutting off gas to the appliance.

**G.** If rigid pipe is used as a gas supply line, a combination of pipe fittings must be used to obtain an in-line connection to the cooktop. All strains must be removed from the supply and fuel lines so cooktop will be level and in line.

**H.** The regulator must be checked at a minimum 1-inch water column above the set pressure. The inlet pressure to the regulator should be as follows for both operation and checking the regulator setting:

**NATURAL GAS:**  
Minimum pressure 5 inches W.C.  
Maximum pressure 14 inches W.C.

**I.** Line pressure testing:  
Testing above 1/2 psi (14 inches W.C.) (gauge)

The cooktop and its individual shutoff valve must be disconnected from the gas supply piping system during any pressure testing of that system at test pressures greater than 1/2 psig (3.5kPa).

Testing at 1/2 psi (14 inches W.C.) (gauge) or lower

The cooktop must be isolated from the gas supply piping system by closing its individual manual shutoff valve during any pressure testing of the gas supply piping system at test pressures equal to or less than 1/2 psig (3.5kPa).

## Electrical requirements

### ⚠ WARNING

#### Electrical Shock Hazard

- Electrical ground is required on this appliance.
- Do Not ground to a gas pipe.
- Do Not modify the power supply cord plug. If plug will not fit the outlet, have a proper outlet installed by a qualified electrician.
- Do Not have a fuse in the neutral or grounding circuit. A fuse in the neutral or grounding circuit could result in an electrical shock.
- Do Not use an extension cord with this appliance.
- Check with a qualified electrician if you are in doubt as to whether the appliance is properly grounded.

Failure to follow these instructions could result in serious injury or death.

If codes permit and a separate grounding wire is used, it is recommended that a qualified electrician determine that the grounding path is adequate.

A 120-volt, 60-Hz, AC-only, 15-ampere, fused electrical supply is required. A time-delay fuse or circuit breaker is recommended. It is recommended that a separate circuit serving only this appliance be provided.

Electronic ignition systems operate within wide voltage limits, but proper grounding and polarity are necessary. In addition to checking that the outlet provides 120-volt power and is correctly grounded, the outlet must be checked by a qualified electrician to see if it is wired with correct polarity. A wiring diagram is provided in the literature package.

## Recommended grounding method

For your personal safety, this appliance must be grounded. This appliance is equipped with a 3-prong grounding plug. To minimize possible shock hazard, the cord must be plugged into a mating 3-prong grounding-type wall receptacle, grounded in accordance with the National Electrical Code ANSI/NFPA 70 — latest edition\* and local codes and ordinances. See Figure 1. If a mating wall receptacle is not available, it is the personal responsibility and obligation of the customer to have a properly grounded, 3-prong wall receptacle installed by a qualified electrician.

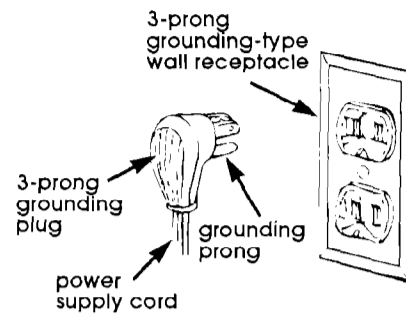
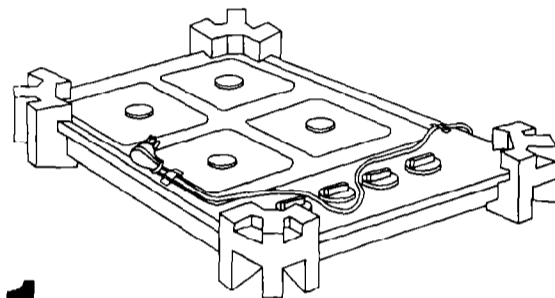


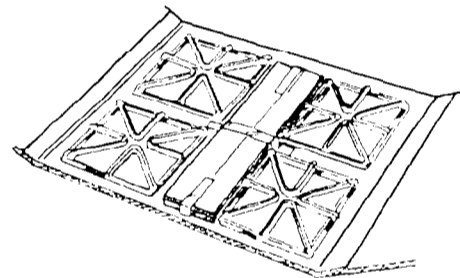
Figure 1

## Now start...

With cooktop in kitchen.



**1.** Remove foam shipping blocks and tape from cooktop. Untape power cord.



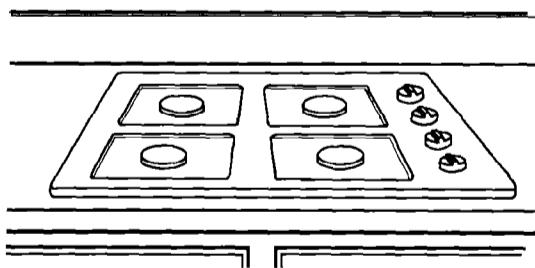
**2.** Remove pressure regulator, hardware package, burner grates and caps package from shipping box.

### ⚠ CAUTION

#### Property Damage

Lift entire cooktop up from cutout when repositioning cooktop in countertop opening.

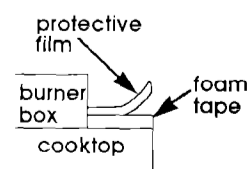
Failure to do so could scratch countertop.



**3.** Insert cooktop into countertop cutout. Do Not remove protective film from foam tape. Center cooktop in cutout. Check that front edge of cooktop is parallel to front edge of countertop. Check that all required clearances are met and that cooktop is properly positioned.

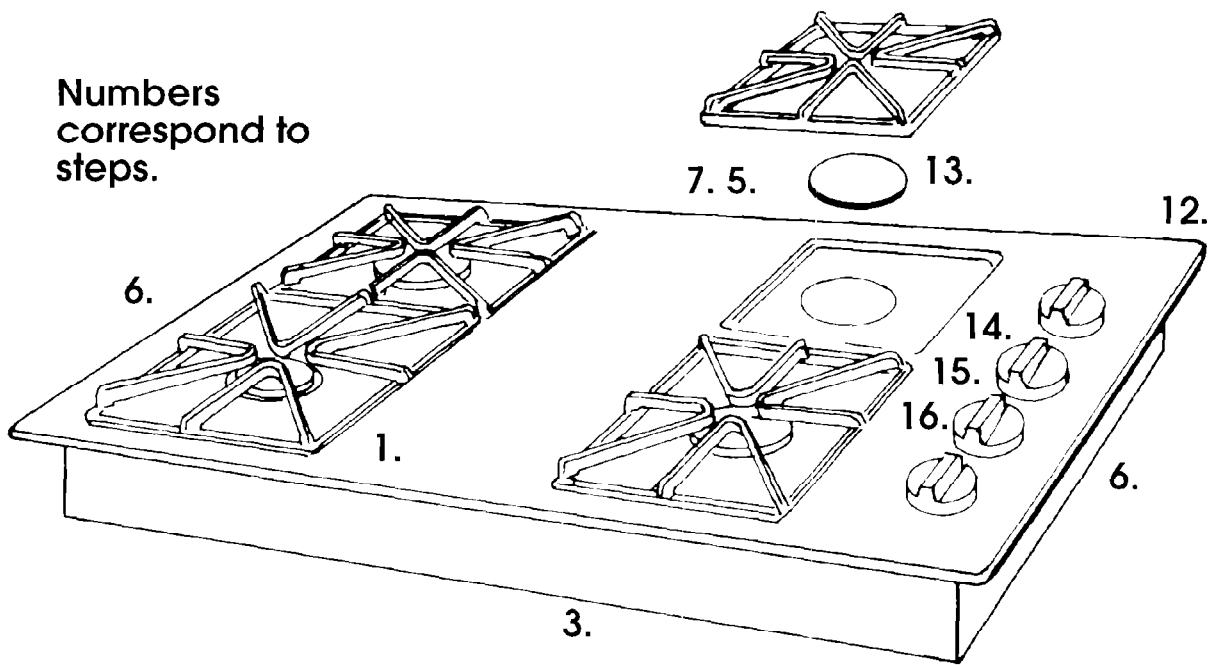
Use a pencil to mark a line along the rear of cooktop on countertop (to align cooktop in Step 5).

**4.** Remove cooktop from cutout and place it upside down on a protected surface.



Remove protective film from foam tape. Do Not remove foam tape. The foam tape seals cooktop to countertop for proper gas combustion and prevents liquids from leaking under cooktop.

Numbers correspond to steps.

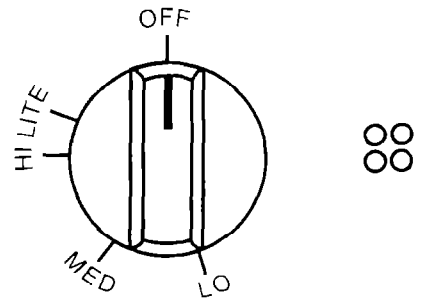


**5.** Insert cooktop into cutout while aligning rear of cooktop with pencil line. Check that cooktop is parallel to the front edge of countertop. Lift the entire cooktop to make adjustments so that the foam tape can seal properly.

**9.** Use pipe-joint compound made for use with NATURAL and L.P. gas to seal all gas connections. If flexible connectors are used, be certain connectors are not kinked

**Electronic Ignition System-initial lighting**

Cooktop burners use electronic igniters in place of standing pilots. When the cooktop control knob is pushed in and turned to the "LITE" position, the system creates a spark to light the burner. This sparking continues until the control knob is turned to the desired setting.



**14.** Check the operation of the cooktop burners. Push in and turn each control knob to "LITE" position. The flame should light within 4 seconds. **Do Not leave the knob in the "LITE" position after burner lights.**

If burners do not light properly, turn control knob to the "OFF" position. Check that burner cap is in the proper position. Check that power supply cord is plugged in and that the circuit breaker or house fuse has not blown. Check that the shutoff valve is in the "ON" position. Check operation again. If a burner does not light at this point, contact your Whirlpool dealer for assistance.

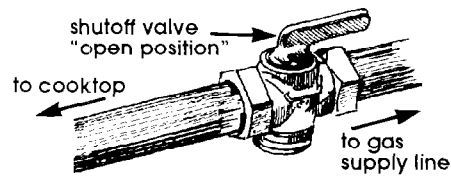
**⚠ WARNING**

**Electrical Shock/Fire Hazard**  
Disconnect power supply cord from wall receptacle before servicing cooktop. Failure to do so could result in serious injury or death.

**⚠ CAUTION**

**Product Damage**  
Do Not overtighten screws. Overtightening screws could damage cooktop surface.

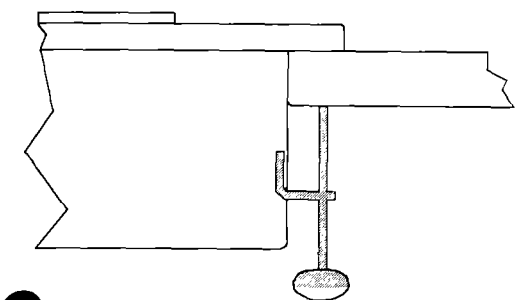
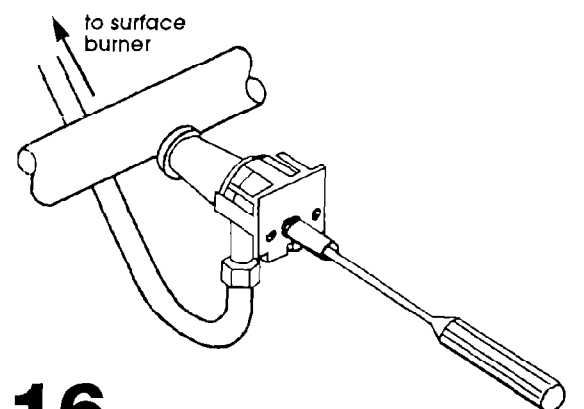
**10.** Open the shutoff valve in the gas supply line. Wait a few minutes for gas to move through the gas line.



**⚠ WARNING**

**Fire Hazard**  
Do Not use an open flame to test for leaks from gas connections. Checking for leaks with a flame may result in a fire or explosion.

**15.** After burner lights, turn control knob to "Hi" position. Check each cooktop burner for proper flame. The small inner cone should have a very distinct blue flame approximately 1/2" long. The outer cone is not as distinct as the inner cone.

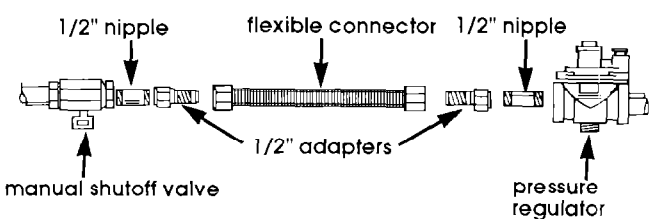


**6.** Insert one clamp through each slot located on the sides of the burner box. Secure cooktop to countertop by hand-tightening each screw. Do Not overtighten screws.

**7.** Install the pressure regulator with the arrow on the regulator pointing up toward unit and in a position where you can reach the access cap.

**⚠ WARNING**

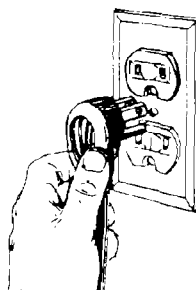
**Fire Hazard**  
Do Not make connection too tight. The regulator is die cast. Overtightening may crack regulator resulting in a gas leak and possible fire or explosion.



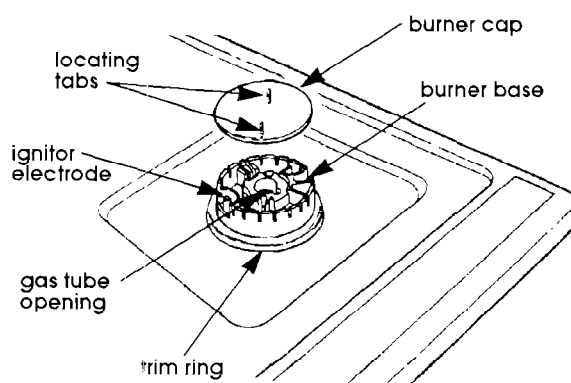
All connections must be wrench-tightened.

**8.** Assemble the flexible connector from the gas supply pipe to the pressure regulator in order: manual shutoff valve, 1/2" nipple, 1/2" adapter, flexible connector, 1/2" adapter, and 1/2" nipple.

**11.** Use a brush and liquid detergent to test all gas connections for leaks. Bubbles around connections will indicate a leak. If a leak appears, shut off gas valve controls and adjust connections. Then check connections again. **NEVER TEST FOR GAS LEAKS WITH A MATCH OR OTHER FLAME.** Clean all detergent solution from cooktop.



**12.** Plug the power supply cord into the grounded outlet.



**13.** Place trim rings over each burner. Find the two locating tabs under the burner cap and mount cap over the slots in the burner base. Place burner grates over burners and caps.

**16.** Push in and turn each control knob to the "LO" (or simmer) setting. The "LO" setting of each burner has been factory set to the lowest setting available to provide reliable reignition of the burner. If it does not stay lit on the "LO" setting. Check "LO" setting as follows:  
a. Turn control to "LITE" until burner ignites.  
b. Quickly turn knob down to LOWEST POSITION.  
c. If burner goes out, readjust valve as follows:

Remove the surface burner control knob. Insert a flat-blade screwdriver into the hollow valve stem and engage the slotted screw inside. Flame size can be increased or decreased with the turn of the screw. Adjust flame until you can quickly turn knob from "LITE" to LOWEST POSITION without extinguishing the flame. Flame should be as small as possible without going out.

You have just finished installing your new Whirlpool cooktop. To get the most efficient use from your new cooktop, read your Whirlpool Use & Care Guide. Keep Installation

**Congratulations**

Instructions and Guide close to cooktop for easy reference. The instructions will make reinstalling your Whirlpool cooktop in another home as easy as the first installation.

## If cooktop does not operate...

Check that the circuit breaker is not tripped or house fuse blown. Check that power supply cord is plugged into wall receptacle. Check that gas valves are turned to the "ON" position.

A more detailed troubleshooting checklist is provided in the Use and Care Guide.

## If you need assistance...

The Whirlpool Consumer Assistance Center will answer any questions about operating or maintaining your cooktop not covered in the Installation Instructions. The Whirlpool Consumer Assistance Center is open 24 hours a day, 7 days a week. Just dial, 1-(800) 253-1301 — the call is free.

When you call, you will need the cooktop model number and serial number. Both numbers can be found on the serial/rating plate located on the underside of the cooktop burner box.

## If you need service...

In the event that your Whirlpool appliance should need service, call the dealer from whom you purchased the appliance or a Whirlpool-authorized service company. A Whirlpool-authorized service company is listed in the Yellow Pages of your telephone directory under "Appliances — Household — Major — Service or Repair". You can also obtain the service company's name and telephone number by dialing, free, within the continental United States, the Whirlpool Consumer Assistance Center telephone number, 1-(800) 253-1301. A special operator will tell you the name and number of your nearest Whirlpool-authorized service company.

Maintain the quality built into your Whirlpool appliance — call a Whirlpool-authorized service company.

## Care, cleaning and maintenance

If removing the cooktop is necessary for cleaning or maintenance, shut off gas supply. Disconnect the gas and electric supply. Remove the mounting bracket on the right and left side of burner box. After disconnecting the gas and electric supply, finish removing the unit for servicing and cleaning. Reinstall in reverse order and check gas connection for leaks.

