

Use & Care Guide

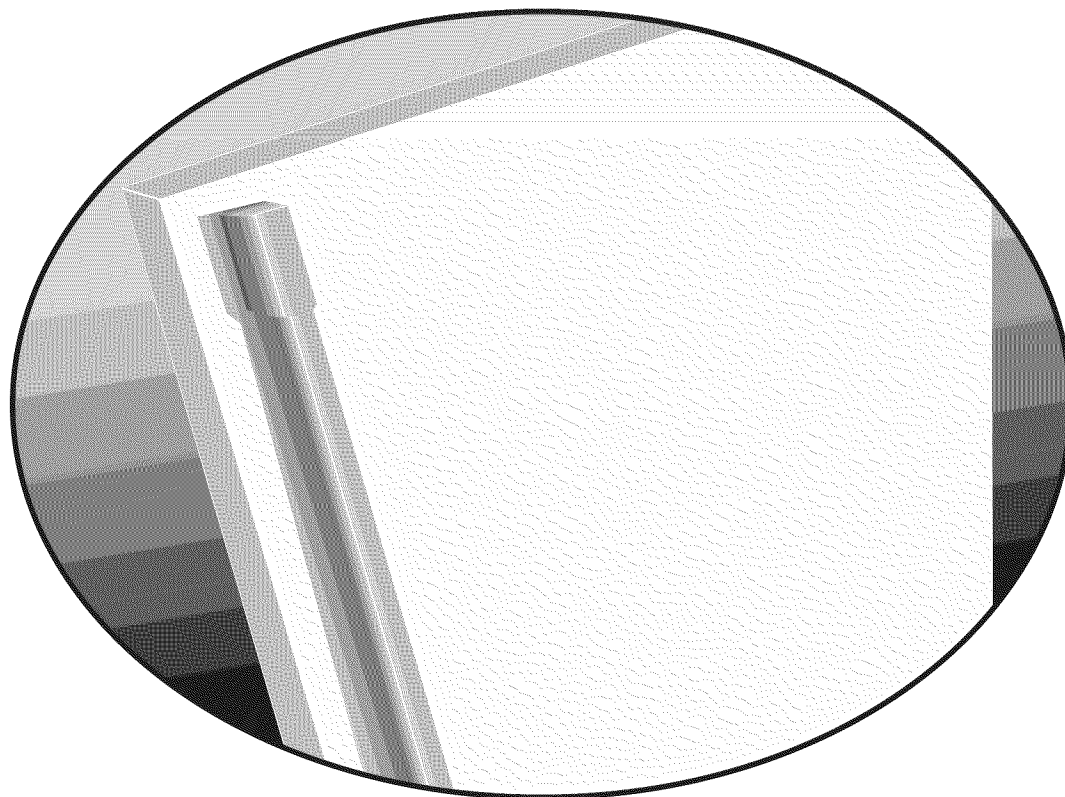
Refrigerator

Guia de Uso y Cuidado

Refrigerador

Guide d'utilisation et d'entretien

Réfrigérateur



 **Electrolux** | **ICON**®

2 Finding Information

Please Read And Save This Guide

Thank you for choosing Electrolux, our new premium brand in home appliances. This Use & Care Guide is part of our commitment to customer satisfaction and product quality throughout the service life of your new appliance.

Keep A Record For Quick Reference

Purchase date

Electrolux model number

Electrolux serial number

NOTE

Registering your product with Electrolux enhances our ability to serve you. You can register online at www.electroluxicon.com or by sending your Product Registration Card in the mail.

Questions?

For toll-free telephone support in the U.S. and Canada:
1-877-4ELECTROLUX (1-877-435-3287)
For online support and product information visit :
<http://www.electroluxicon.com>

© 2010 Electrolux Home Products, Inc.
10200 David Taylor Drive
Charlotte, NC 28262

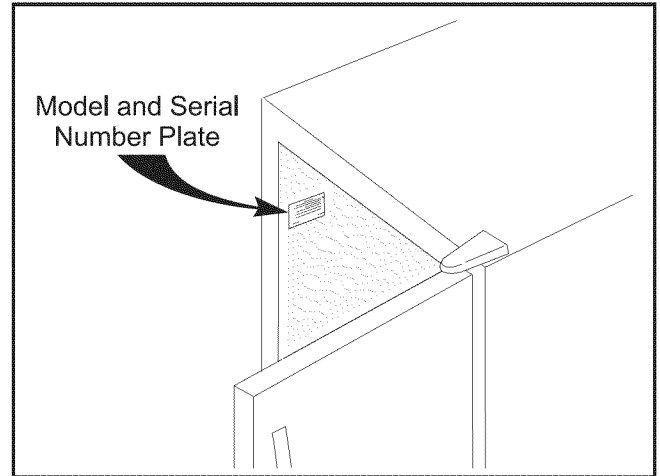


Table Of Contents

Finding Information.....	2
Safety.....	3
Feature Overview.....	5
Installation.....	6
Installing Door Handles	7
Leveling	7
Door Removal and Temperature Control	9
Electronic Control.....	10
Alarms	11
Electronic Control Features.....	12
Air Filter and Theater Lighting.....	13
Storage Components	14
Storing Food & Saving Energy.....	15
Care & Cleaning.....	16
Warranty Information	18
Solutions To Common Problems.....	19
Installation Checklist.....	20

Important Safety Instructions

Safety Precautions

Do not attempt to install or operate your unit until you have read the safety precautions in this manual. Safety items throughout this manual are labeled with a Danger, Warning, or Caution based on the risk type.

Definitions

⚠ This is the safety alert symbol. It is used to alert you to potential personal injury hazards. Obey all safety messages that follow this symbol to avoid possible injury or death.

⚠ DANGER

DANGER indicates an imminently hazardous situation which, if not avoided, will result in death or serious injury.

⚠ WARNING

WARNING indicates a potentially hazardous situation which, if not avoided, could result in death or serious injury.

⚠ CAUTION

CAUTION indicates a potentially hazardous situation which, if not avoided, may result in minor or moderate injury.

➔ IMPORTANT

Indicates installation, operation, or maintenance information which is important but not hazard-related.

General Safety

⚠ WARNING

Please read all safety instructions before using your new refrigerator.

- Do not store or use gasoline or other flammable liquids near this or any other appliance. Read product labels for warnings regarding flammability and other hazards.
- Do not operate the refrigerator in the presence of explosive fumes.
- Avoid contact with any moving parts of the automatic ice maker.

- Remove all staples from the carton to avoid injury. Staples can also damage finishes if they come in contact with other appliances or furniture.

Child Safety

Packing Materials:

- Packing cartons covered with rugs, bedspreads, plastic sheets, or stretch wrap may become airtight chambers and can quickly cause suffocation.
- Destroy or recycle the product's carton, plastic bags, and any other exterior wrapping material immediately after the refrigerator is unpacked. Children should never play with these items.

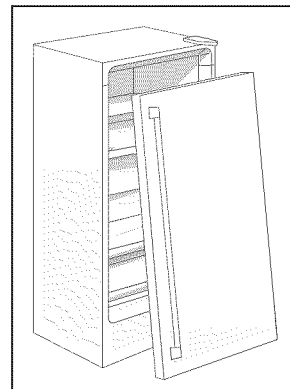
Child Entrapment and Suffocation

- These problems are not limited to the past. Whether junked, abandoned, or temporarily stored (even for a few hours), unattended refrigerators and freezers are dangerous. Please take the precautions listed below.

Proper Disposal of Refrigerators/Freezers

We strongly encourage responsible appliance recycling/disposal methods. Check with your utility company or visit www.recyclemyoldfridge.com for more information on recycling your old refrigerator. Before you recycle or dispose of your old refrigerator/freezer:

- Remove the doors.
- Leave the shelves and baskets in place so children may not easily climb inside.
- Have refrigerant and compressor oil removed by a qualified service technician.



4 Safety

Electrical Information

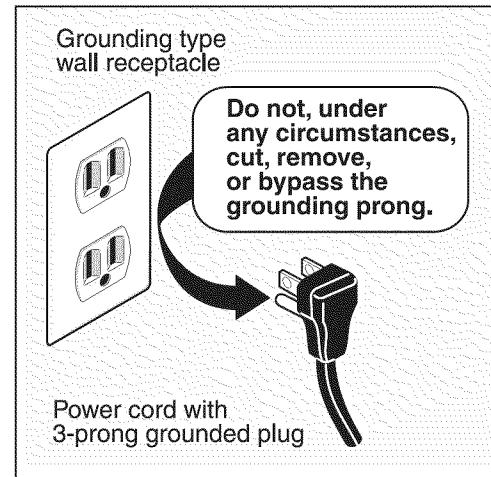
WARNING

You must follow these guidelines to ensure that your refrigerator's safety mechanisms are operating correctly.

- The refrigerator must be plugged into its own dedicated 115 Volt, 60 Hz, AC-only non-GFCI electric outlet. The power cord of the appliance is equipped with a three-prong grounding plug for your protection against electrical shock hazards. It must be plugged directly into a properly grounded three-prong receptacle. The receptacle must be installed in accordance with local codes and ordinances. Consult a qualified electrician. Do not use an extension cord or adapter plug.
- If the power cord is damaged, it should be replaced by the manufacturer, service technician, or a qualified person.
- Never unplug the refrigerator by pulling on the power cord. Always grip the plug firmly and pull straight out from the receptacle to prevent damaging the power cord.
- To avoid electrical shock, unplug the unit or switch the breaker that supplies power to the unit to the off position before cleaning and before replacing a light bulb or LED light.
- Performance may be affected if the voltage varies by 10% or more. Operating the refrigerator with insufficient power can damage the compressor. Such damage is not covered under your warranty.
- Do not plug the unit into an outlet controlled by a wall switch or pull cord to prevent the refrigerator from being turned off accidentally.

IMPORTANT

To disconnect power to the unit, unplug the unit or switch the breaker that supplies power to the unit to the off position.

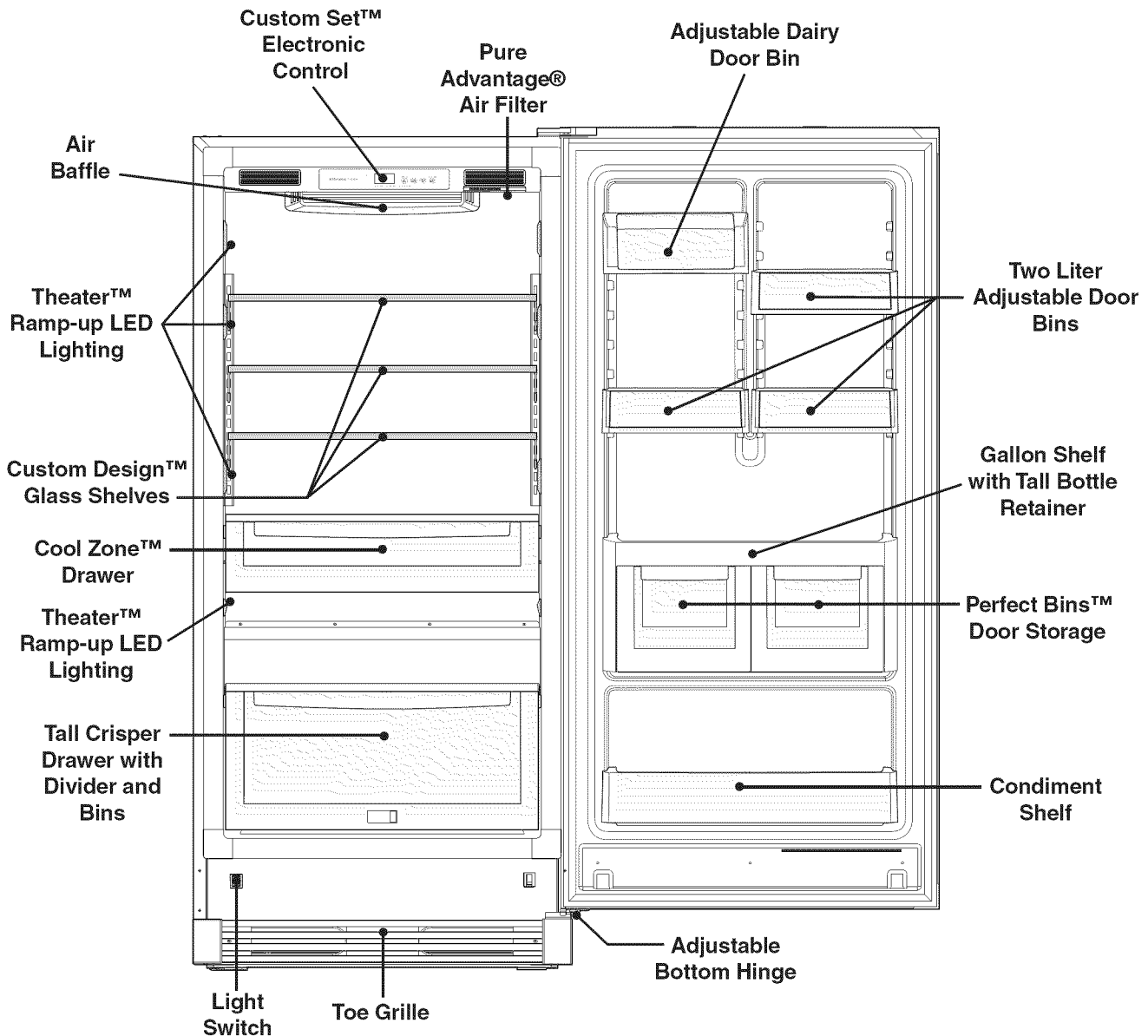


Understanding Features and Terms

Your Electrolux refrigerator is designed for optimal convenience and storage flexibility. The illustration below is provided to assist you with familiarizing yourself with product features and terminology.

NOTE

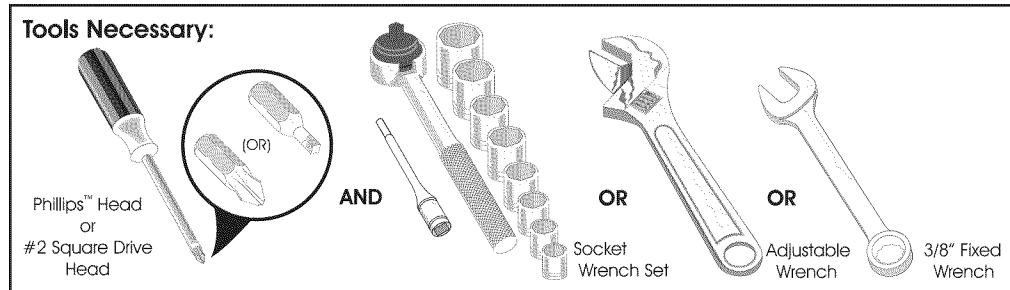
Features may vary according to model.



6 Installation

Required Tools

You will need the following tools:



This Use & Care Guide provides general installation and operating instructions for your model. We recommend using a service or kitchen contracting professional to install your refrigerator. Use the refrigerator only as instructed in this Use & Care Guide. **Before starting the refrigerator, follow these important first steps.**

Location

- Choose a place that is near a grounded, non-GFCI, electrical outlet. **Do Not** use an extension cord or an adapter plug.
- If possible, place the refrigerator out of direct sunlight and away from the range, dishwasher, or other heat sources.
- The refrigerator must be installed on a floor that is level and strong enough to support a fully loaded refrigerator.

⚠ CAUTION

DO NOT install the refrigerator where the temperature will drop below 40°F (13°C) or rise above 110°F (43°C). The compressor will not be able to maintain proper temperatures inside the refrigerator.

DO NOT block the toe grille on the lower front of your refrigerator. Sufficient air circulation is essential for the proper operation of your refrigerator.

☰ NOTE

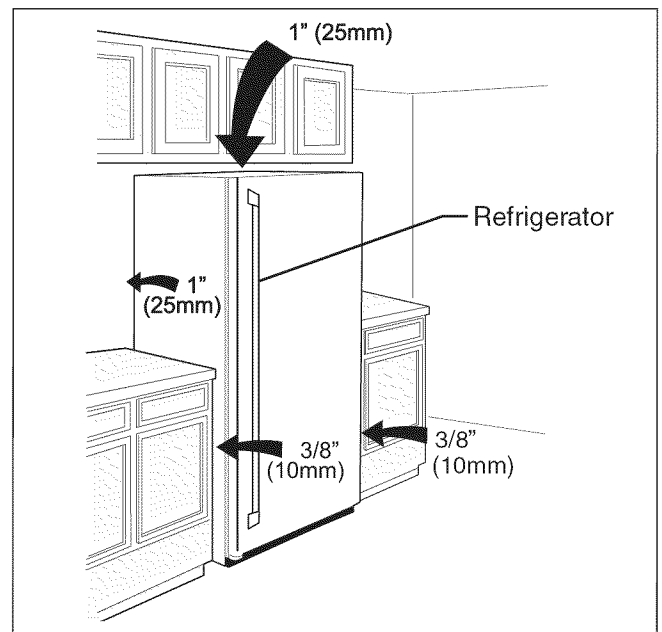
If your refrigerator is placed with the door hinge against a wall, you may have to allow additional space so the door can be opened wider.

Installation

- Allow the following clearances for ease of installation, proper air circulation, and plumbing and electrical connections:
 - Sides 3/8" inch (9.5 mm)
 - Top and Back 1 inch (25.4 mm)
- Allow for trim kit if it to be installed with the unit.

☰ NOTE

The refrigerator doors are designed to shut by themselves within a 20 degree opening.



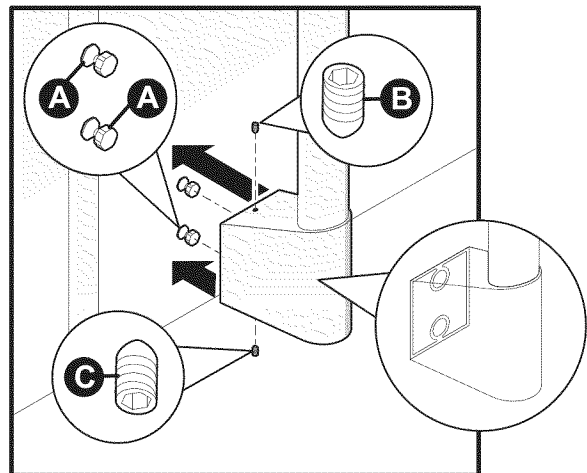
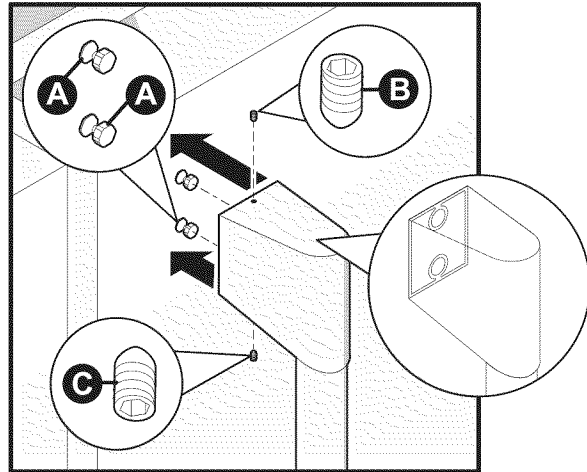
Door Handle Mounting Instructions

1. Remove handles from carton and any other protective packaging.
2. Position fresh food handle end caps over upper and lower preinstalled shoulder bolts (A) that are fastened into door.
3. While holding handle firmly against door, fasten upper and lower Allen set screws (B) with supplied Allen wrench until there is no gap between handle and door.

NOTE

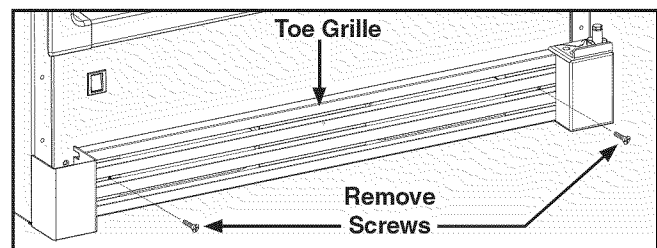
All set screws should be tightened so the screw is below the surface of the handle. The handles should be drawn tight to freezer and refrigerator doors with no gaps. Opening the opposite door while tightening the Allen screw makes installation easier.

The door handle may loosen over time or if it was installed improperly. If this happens, tighten the set screws on the handles.



Toe Grille Removal

To remove the toe grille, use a Phillips head screwdriver and remove the two screws holding the toe grille to the cabinet. Then pull the toe grille away from the unit.



Leveling

- The refrigerator must have all bottom corners resting firmly on a solid floor.
- The floor must be strong enough to support a fully loaded refrigerator.
- It is **VERY IMPORTANT** for your refrigerator to be level in order to function properly. If the refrigerator is not leveled during installation, the door may be misaligned and not close or seal properly, causing cooling, frost or moisture problems.

Leveling instructions continued on next page.

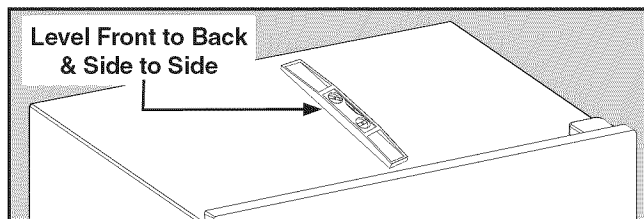
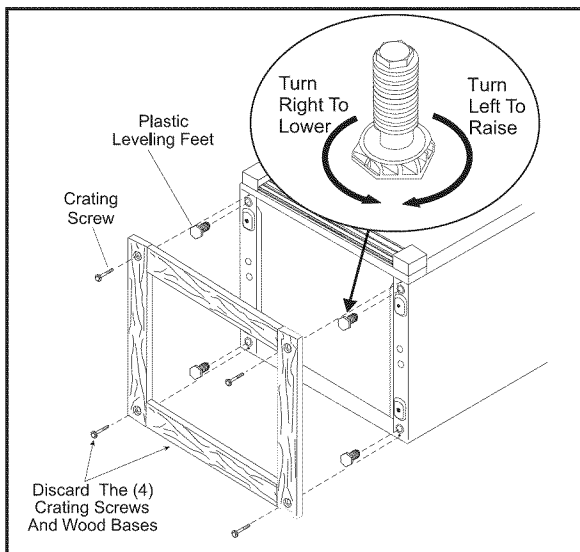
8 Leveling

To Level The Refrigerator:

While unit is lying on its back for wood skid removal, note the location of the four (4) leg levelers installed at each corner. These leg levelers will be used to level the refrigerator and to adjust the height. Use a carpenter's level to level the refrigerator from front to back and side to side.

NOTE

Make sure to allow for the Trim and Leveling Kit if it is to be installed with the unit.



Leveling Instructions For Matching Tall Refrigerator / Tall Freezer Pair:

- Level door of first unit using all four levelers and slide unit into place. Recheck for levelness and adjust if necessary.
- Measure distance from floor to bottom of door on first unit. Adjust and level second unit so door height matches.
- **Leg Level Adjustments:**
- One full turn of all four leg levelers will raise door 5/32".

- Slide second unit into place leaving a minimum gap of 3/16" between units for door swing clearance.
- This last step may require at least one extraction of the second unit to properly align units in a "built-in" application.

Leveling Door with Adjustable Hinge

Use the lower hinge adjustment to fine tune the door height and for final cabinet spacing. Use a 7/16" socket or wrench to adjust the screw at the bottom of the lower hinge.

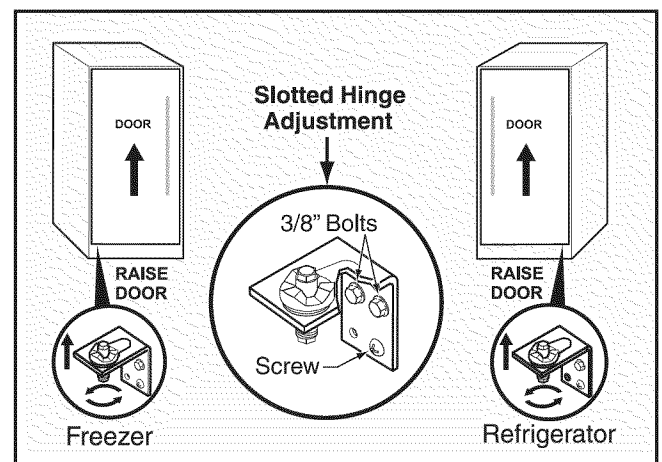
Adjusting Doors For Matching Tall Refrigerator / Tall Freezer Pair

The doors may also be adjusted side to side with the slotted hinge for aligning the doors parallel to each other. Loosen the two bolts with a 3/8" wrench and one screw with a Phillips screwdriver. Shift the doors until parallel, then retighten the screws securely. (See illustration below.)

Lower Hinge Adjustment For Leveling The Doors Of The Matching Tall Refrigerator / Tall Freezer Pair

To level the doors using the adjustable lower hinge (some models):

1. If the refrigerator door is lower than the freezer door, raise the refrigerator door by turning the adjustment screw clockwise using a 7/16 inch socket wrench. (See illustration below.)
2. If the freezer door is lower than the refrigerator door, raise the freezer door by turning the adjustment screw clockwise using a 7/16 inch socket wrench. (See illustration below.)



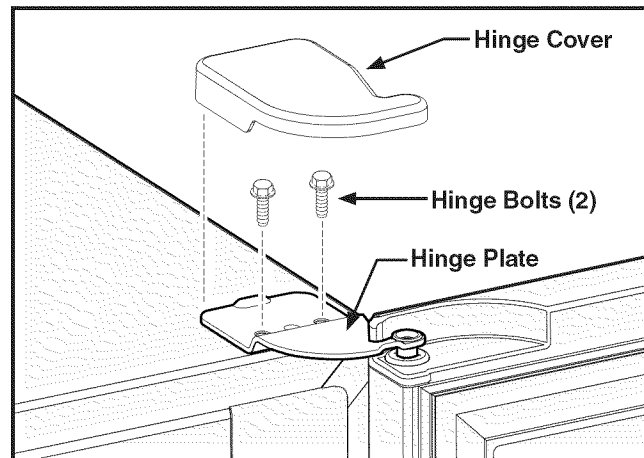
Door Removal

If door must be removed:

CAUTION

Doors are heavy. It is recommended to have two people to remove or replace the door assembly from the cabinet.

- Unplug the unit or switch the breaker that supplies power to the unit to the off position.
- Remove the plastic top hinge cover.
- Hold the door in place while removing the top hinge from the cabinet.
- Remove the two 3/8" hex head bolts from the top hinge with a 3/8" wrench or socket.
- Lift the door upwards and pull up and away from the cabinet until free of the bottom hinge pin mounted on the front of the cabinet.
- To replace the door, reverse the above procedures and securely tighten all screws to prevent hinge slippage.



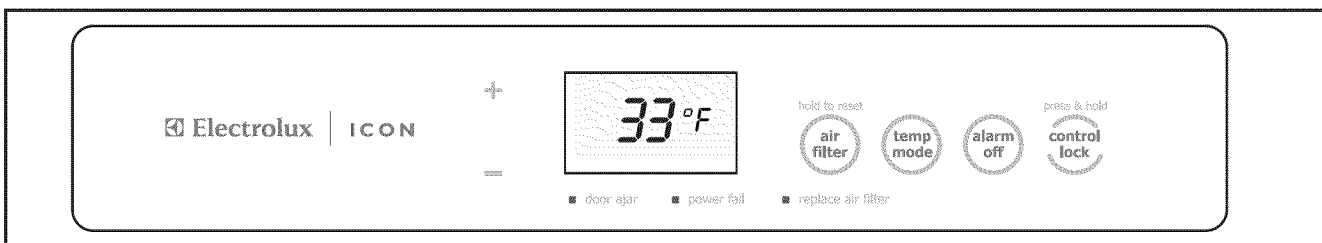
Setting The Custom Set™ Electronic Control

COOL DOWN PERIOD

For safe food storage, allow four (4) hours for refrigerator to cool down completely. The refrigerator will run continuously for the first several hours.

CUSTOM SET™ ELECTRONIC CONTROL

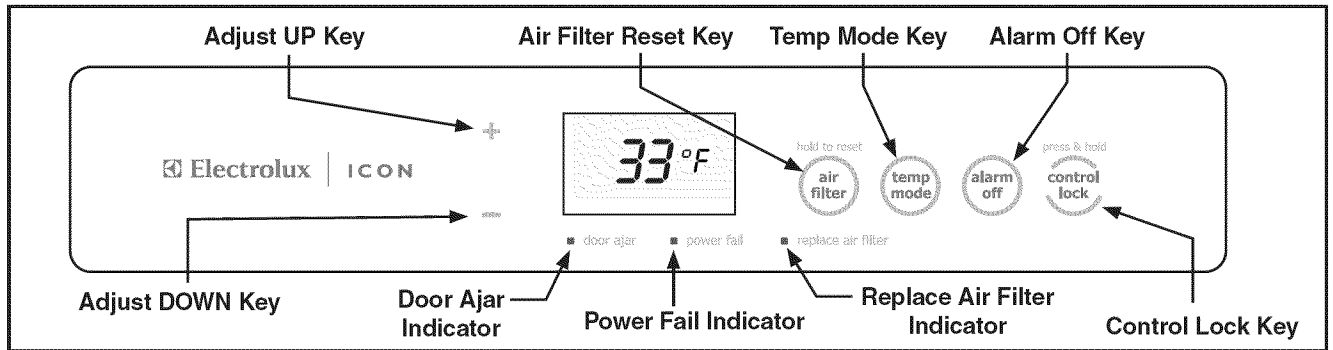
The Custom Set™ Electronic Control is located inside the refrigerator. Temperature is factory preset to provide satisfactory food storage temperatures. However, the temperature control is adjustable to provide a range of temperatures for your personal satisfaction.



To adjust the temperature setting, press the UP (+) key for warmer temperature and DOWN (-) key for colder temperature on the control panel. Allow several hours for the temperature to stabilize between adjustments. The refrigerator can be adjusted between 33°F (1°C) and 46°F (8°C). By pressing the TEMP MODE key, the temperature display will toggle between °F to °C.

To turn the refrigerator OFF, press the UP (+) key until the warmest temperature setting of 46°F (8°C) shows in the display. Then press the UP (+) key three (3) times within three (3) seconds to turn the refrigerator OFF. The display will then scroll "OFF" across the display. To turn the unit back ON, press the DOWN key three (3) times within three (3) seconds. The control will then display "46°F (8°C)" and may be adjusted to the desired temperature.

10 Electronic Control



Custom Set™ Electronic Control Features

Replace Air Filter

When the “REPLACE AIR FILTER” LED is illuminated yellow, the air filter needs to be replaced. The control will signal for air filter replacement after 3600 hours of refrigerator operation. After replacing the air filter, reset the air filter timer by pressing the AIR FILTER key for 3 seconds. The “REPLACE AIR FILTER” LED will be illuminated green for three (3) seconds, confirming a timer reset.

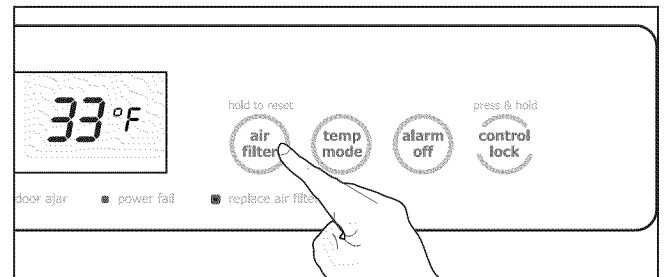
Control Lock

To disable the keypads on the control, begin by pressing the CONTROL LOCK key for three seconds until “LO” is displayed for 1 second. With the control locked, when keys are pressed on the control panel, “LO” will be displayed. To unlock the control, press the CONTROL LOCK key for three seconds. The display will show “UL” for one second.

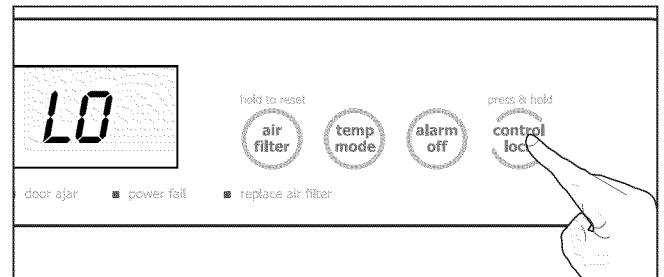
Power Fail

The POWER FAIL indicator light informs you that due to a power failure, the cabinet temperature exceeded 55°F (13°C). If the power failure lasted more than one (1) hour, the display alternates between showing the power failure duration (Hours and DURATION LED illuminate in the display) and the cabinet temperature (°F or °C illuminates) every ½ second. This safety feature will aid in determining what food spoilage action to take.

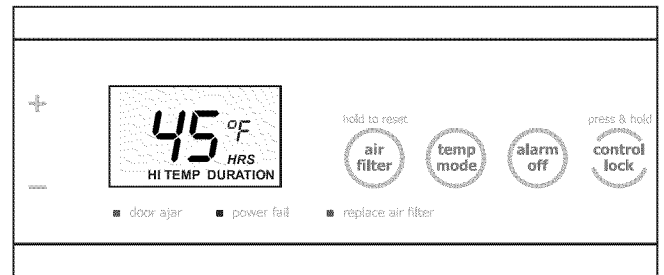
The Power Fail indicator light and duration display can be turned off by pressing the ALARM OFF key.



Resetting Air Filter Alarm



Setting Control Lock



Power Fail Indicator

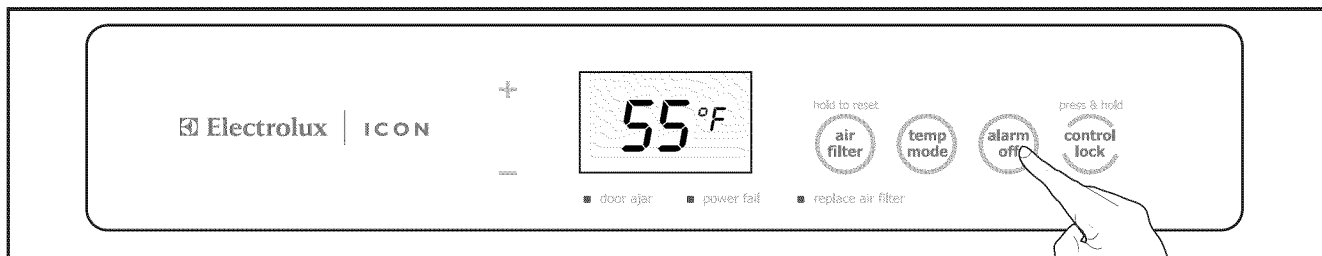
Alarms

There are four possible conditions that will cause the alarm tone to sound.

High Temp Alarm

If the temperature inside the cabinet has exceeded 55°F (13°C) for 1 hour or more of normal operation, the HI TEMP LED will illuminate, the HIGH TEMP Alert will sound and the cabinet temperature is shown in the display. The LED and temperature alarm will remain active until the cabinet temperature is below 55°F (13°C).

The audible alarm can be turned off by pressing ALARM OFF key.



Turning Alarm Off

Door Ajar Alarm

This alarm will sound to alert you that the door has been open for 5 minutes or more. The DOOR AJAR LED will illuminate and the audible alarm will sound until the door is closed.

The audible alarm can be turned off by pressing the ALARM OFF key or by closing the door. If the door is ajar for 15 minutes, the interior light will turn off.

Temp Sensing Error Alarm

The sensor alarm signals you that a problem exists with a temperature sensor. The audible alarm will sound after one (1) hour and the display will alternate between “E8” or “E9” and 33°F (1°C) at ½ second intervals. The control will then enter a mode that runs the refrigerator in a manner that maintains the factory set cabinet temperature.

The audible alarm can be turned off by pressing the ALARM OFF key.

Stuck Key Alarm

The stuck key alarm will sound if the control reads a keypress for longer than 30 seconds. The audible alarm will sound and will be limited to one minute and will stop automatically. The display will alternate between “E7” and 33°F (1°C) at ½ second intervals. The control will then enter a mode that runs the refrigerator in a manner that maintains the factory set cabinet temperature until the condition is resolved.

The audible alarm can be turned off by pressing the ALARM OFF key.

12 Electronic Control Features

Sabbath Mode

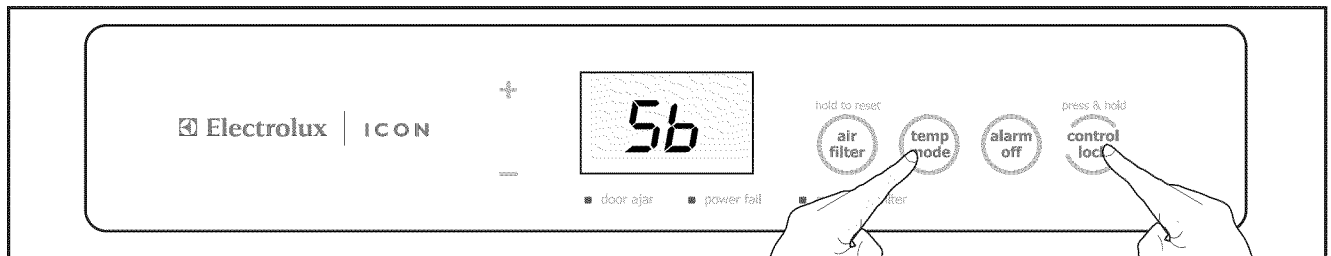
The Sabbath Mode is a feature that disables portions of the refrigerator and its controls in accordance with the observance of the weekly Sabbath and religious holidays within the Orthodox Jewish community.

To initiate or cancel Sabbath Mode, press the CONTROL LOCK and TEMP MODE keys at the same time and hold for three (3) seconds. The display will now show “Sb” and the confirmation tone will sound. When AC power is cycled while the control is in Sabbath mode, the control enters into Sabbath mode automatically. “Sb” will again be displayed. While in Sabbath Mode, the display will show “Sb” for one second if any key is pressed.

In the interest of food safety, only the HIGH TEMP Alarm remains active and takes precedence over other Sabbath Mode features.



For further assistance, guidelines for proper usage and a complete list of models with the Sabbath feature, please visit the web at <http://www.star-k.org>.



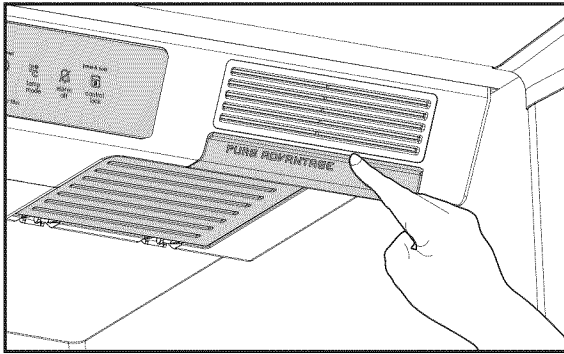
Setting Sabbath Mode

Pure Advantage™ Air Filter

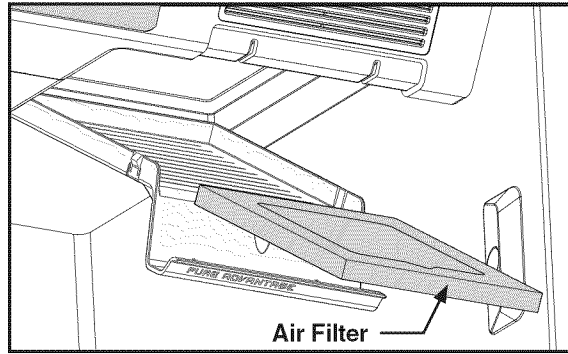
Your new Pure Advantage air filter is located inside one of the 2 Liter Door Bins. The air filter cover is located on the upper right side of the control box. In general, you should change the air filter with Part Number “EAFCBF” every six months to ensure optimal filtering of refrigerator odors. The replacement air filter can be purchased on the Electrolux ICON website (<http://www.electroluxicon.com>) or call toll free in the U.S. and Canada: 1-877-4ELECTROLUX (1-877-435-3287). Your electronic control is equipped with a Change Filter Indicator to remind you to change your filter. See page 10.

To Install Or Replace The Air Filter

- Pull down on the front of the Pure Advantage™ air filter cover. This releases the hinged bottom cover to drop open.
- Remove the old filter and discard it.
- Unpackage the new filter and place it inside the hinged bottom cover of the housing.
- Push the hinged bottom cover upward until the tab snaps into closed position.



Open Air Filter Cover



Remove Air Filter

Theater™ LED Lighting

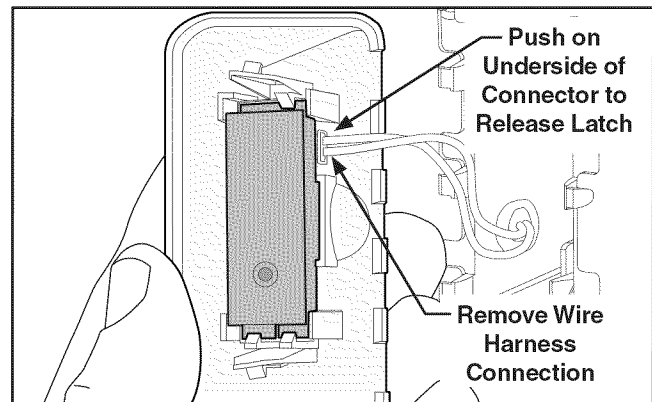
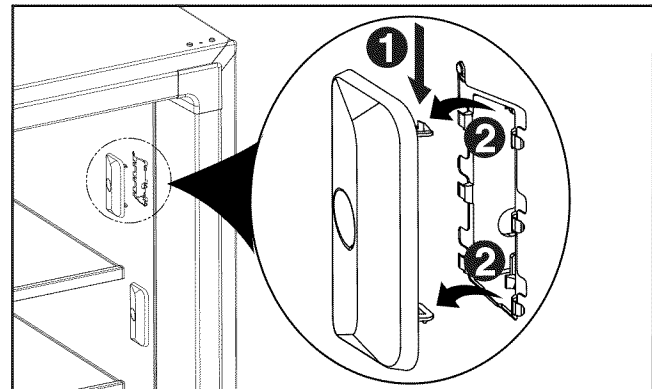
The interior cabinet lighting features LED lights that gradually ramp up in intensity after the door is opened.

⚠ WARNING

Unplug the unit or switch the breaker that supplies power to the unit to the off position before changing an LED light.

To replace an LED:

1. Unplug the electrical cord or switch OFF the power supply breaker.
2. Push down on the LED cover and then pull away from the cabinet interior.
3. From the inside of the LED cover, remove the wire harness connector by pressing on the latch with a small flat bladed screwdriver. Pull the wire harness connector out of the LED.
4. Replace with a new LED and install in the reverse order.



14 Storage Components

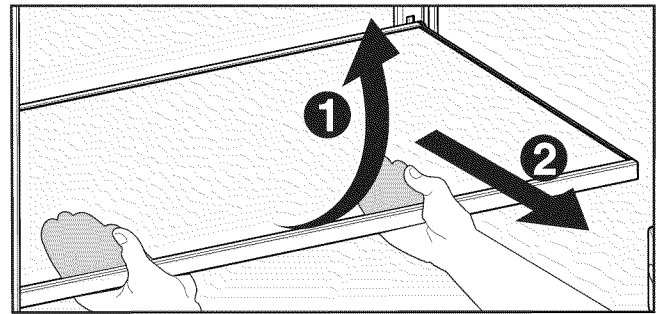
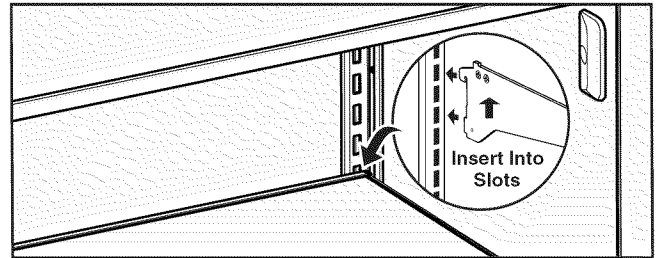
Storage

Custom Design™ Glass Shelves

Multi-position adjustable slide out glass shelves can be moved to any position for larger or smaller packages. The shipping spacers that stabilize the shelves for shipping may be removed and discarded.

To Adjust The Shelves

- Lift front edge up.
- Pull shelf out.
- Replace the shelf by inserting the hooks at rear of the shelf into the wall bracket. Lower the shelf into the desired slots and lock into position.



Cool Zone™ Drawer

This model is equipped with a Cool Zone™ Drawer for storage of luncheon meats, spreads, cheeses, and other deli items.

Crisper Drawer With Adjustable Dividers

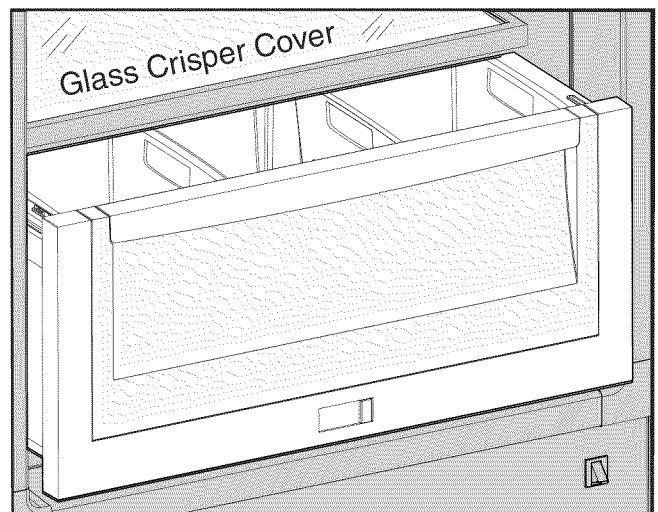
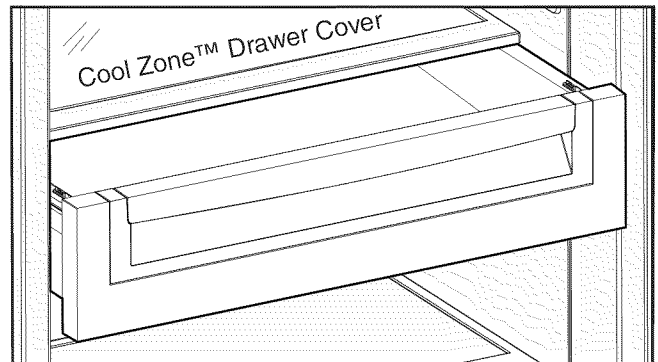
The crisper drawer, located at the bottom of the refrigerator interior, is designed for storing fruits, vegetables, and other fresh produce. Wash items in clean water and then remove excess water before placing them in the crisper. Items with strong odors or high moisture content should be wrapped before storing. Dividers may be adjusted for different size items within the crisper.

To remove the Crisper Drawer or Cool Zone™Drawer:

1. Remove the glass cover from the drawer to be removed.
2. With both hands, lift up on the front of the drawer until it releases from the side supports.
3. Carefully remove the drawer from the refrigerator.

NOTE

Leafy vegetables keep best when stored with the humidity control set on HIGH HUMIDITY, or in a drawer without a humidity control. This keeps incoming air to a minimum and maintains maximum moisture content.

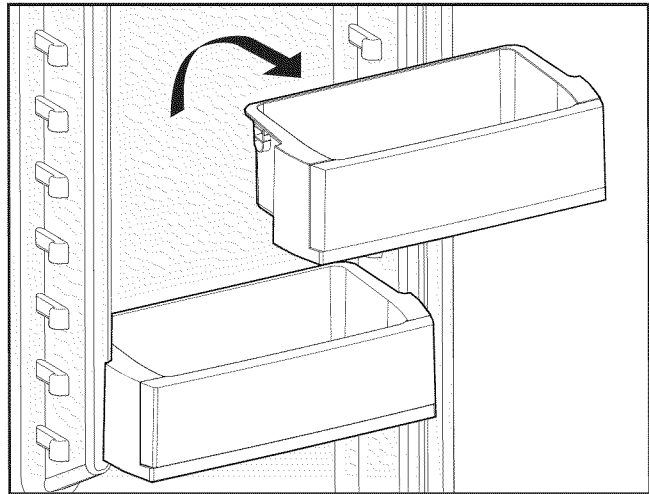


Adjustable Two Liter Door Bins

This model is equipped with adjustable door bins that can be moved to suit individual needs.

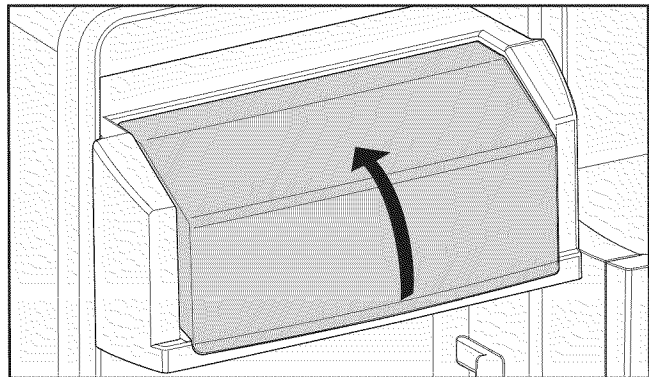
To Move Door Bins:

- Lift the bin straight up.
- Remove the bin.
- Place the bin in desired position.
- Lower the bin onto supports until locked in place.



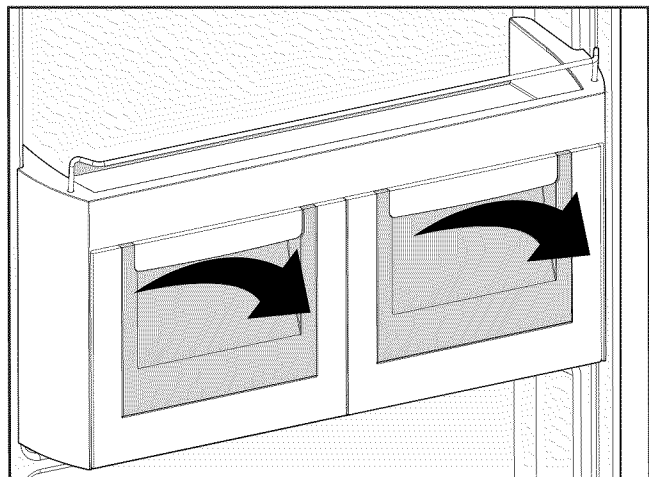
Adjustable Dairy Bin

Use the dairy compartment, at the top of the fresh food compartment door, for short term storage of cheese, spreads, or butter. The dairy compartment is designed to be warmer than the open storage area to accommodate these types of food.



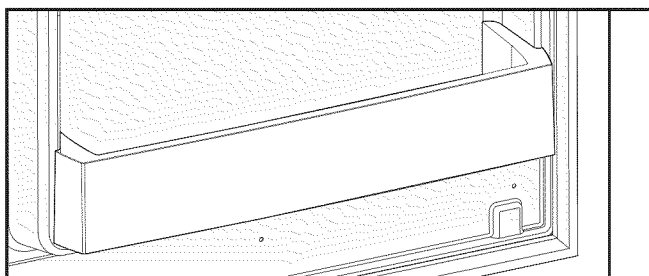
Full Width Gallon Bin And Perfect Bins™ Door Storage

The full width gallon bin is especially designed to hold gallon-sized containers like milk gallons. The door bins tilt out to provide convenient storage for cans and other items.



Condiment Shelf

The condiment shelf is designed to hold commonly used items such as mustards, jellies, seasonings and small jars.



16 Storing Food & Saving Energy

Ideas For Storing Foods

Fresh Food Storage

- Keep the fresh food compartment between 34° F and 40° F with an optimum temperature of 37° F.
- Avoid overcrowding the refrigerator shelves, which reduces air circulation and causes uneven cooling.

Fruits and Vegetables

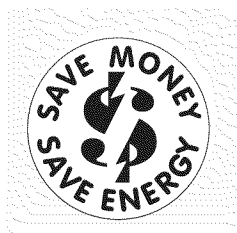
- Store fruits and vegetables in crisper drawers, where trapped moisture helps preserve food quality for longer time periods.

Meat

- Wrap raw meat and poultry securely so leakage and contamination of other foods or surfaces does not occur.

Energy Saving Ideas

- Locate the refrigerator in the coolest part of the room, out of direct sunlight, and away from heating ducts or registers. Do not place the refrigerator next to heat-producing appliances such as a range, oven, or dishwasher. If this is not possible, a section of cabinetry or an added layer of insulation between the two appliances will help the refrigerator operate more efficiently.
- Level refrigerator so that the door closes tightly.
- Refer to the "SETTING THE TEMPERATURE CONTROL" section for the suggested temperature control settings.
- Do not overcrowd the refrigerator or block cold air vents. Doing so causes the refrigerator to run longer and use more energy.
- Cover foods and wipe containers dry before placing them in the refrigerator. This cuts down on moisture build-up inside the unit.
- Organize the refrigerator to reduce door openings. Remove as many items as needed at one time and close the door as soon as possible.



Vacation And Moving Tips

Short Vacations:

- Leave the refrigerator operating during vacations of less than three weeks.

Long Vacations:

If the refrigerator will not be used for several months:

- Remove all food and unplug the power cord.
- Clean and dry the interior thoroughly.
- Leave the refrigerator door open slightly, blocking it open if necessary, to prevent odor and mold growth.

Moving: When moving the refrigerator, follow these guidelines to prevent damage:

- Disconnect the power cord plug from the wall outlet.
- Remove foods, then defrost, and clean the refrigerator.
- Secure all loose items such as base panel, baskets, and shelves by taping them securely in place to prevent damage.
- In the moving vehicle, secure refrigerator in an upright position to prevent movement. Also protect outside of refrigerator with a blanket, or similar item.

Care & Cleaning

Keep your refrigerator clean to prevent odor build-up. Wipe up any spills immediately and clean at least twice a year. Never use metallic scouring pads, brushes, abrasive cleaners or strong alkaline solutions on any surface. Do not wash any removable parts in a dishwasher. Always unplug the electrical power.

⚠ CAUTION

- When moving the refrigerator, pull straight out. Do not shift the refrigerator from side to side as this may tear or gouge the floor covering.
- Damp objects stick to cold metal surfaces. Do not touch interior metal surfaces with wet or damp hands.

CAUTION

- Turning the freezer temperature control to “OFF” (See Page 9) turns off the compressor, but does not disconnect electrical power to the LED lights or other electrical components. Unplug the unit or switch the breaker that supplies power to the unit to the off position.
- Do not use razor blades or other sharp instruments which can scratch the appliance surface when removing adhesive labels. Any glue left from tape or labels can be removed with a mixture of warm water and mild detergent, or, touch the glue residue with the sticky side of tape you have already removed. Do not remove the serial plate.

NOTE

- Do Not use abrasive cleaners such as window sprays, scouring cleansers, flammable fluids, cleaning waxes, concentrated detergents, bleaches, or cleansers containing petroleum products on plastic parts, interior doors, gaskets, or cabinet liners. Do not use paper towels, scouring pads or other abrasive materials.
- Never use metallic scouring pads, brushes, abrasive cleaners or strong alkaline solutions on any surface.
- Do not wash any removable parts in a dishwasher.
- Always unplug the electrical power.

CARE AND CLEANING CHART

Part	Cleaning Agents	Tips and Precautions
Interior & Door Liners	<ul style="list-style-type: none"> • Soap and water • Baking soda and water 	<ul style="list-style-type: none"> • Use 2 tablespoons of baking soda in 1 quart of warm water. • Be sure to wring excess water out of sponge or cloth before cleaning around controls, light bulb or any electrical part.
Door Gaskets	<ul style="list-style-type: none"> • Soap and water 	<ul style="list-style-type: none"> • Wipe gaskets with a clean soft cloth.
Drawers & Bins	<ul style="list-style-type: none"> • Soap and water 	<ul style="list-style-type: none"> • Use a soft cloth to clean drawer runners and tracks. • Do not wash any removable items (bins, drawers, etc.) in dishwasher.
Glass Shelves	<ul style="list-style-type: none"> • Soap and water • Glass cleaner • Mild liquid sprays 	<ul style="list-style-type: none"> • Allow glass to warm to room temperature before immersing in warm water.
Exterior & Handles	<ul style="list-style-type: none"> • Soap and water • Non Abrasive Glass Cleaner 	<ul style="list-style-type: none"> • Do not use commercial household cleaners, ammonia, or alcohol to clean handles. • Use a soft cloth to clean smooth handles. • Do not use a dry cloth to clean smooth doors.
Exterior & Handles (Stainless Steel Models Only)	<ul style="list-style-type: none"> • Soap and water • Ammonia • Stainless Steel Cleaners 	<ul style="list-style-type: none"> • Never use CHLORIDE to clean stainless steel. • Clean stainless steel front and handles with non-abrasive soapy water and a dishcloth. Rinse with clean water and a soft cloth. • Wipe stubborn spots with an ammonia-soaked paper towel, and rinse. Use a non-abrasive stainless steel cleaner. These cleaners can be purchased at most home improvement or major department stores. Always follow manufacturer’s instruction. • NOTE: Always, clean, wipe and dry with grain to prevent cross-grain scratching. • Wash the rest of the cabinet with warm water and mild liquid detergent. Rinse well, and wipe dry with a clean soft cloth.

18 Warranty Information

REFRIGERATOR WARRANTY *Your refrigerator is protected by this warranty*

	WARRANTY PERIOD	THROUGH OUR AUTHORIZED SERVICERS, WE WILL:	THE CONSUMER WILL BE RESPONSIBLE FOR:
FULL ONE-YEAR WARRANTY	One year from original purchase date.	Pay all costs for repairing or replacing any parts of this appliance which prove to be defective in materials or workmanship. Excludes original and replacement Ice & Water filter cartridges (if equipped). Original and replacement cartridges are warranted for 30 days (parts only).	Costs of service calls that are listed under NORMAL RESPONSIBILITIES OF THE CONSUMER.*
LIMITED 2ND- 5TH YEAR WARRANTY (Cabinet Liner and Sealed System)	Second through fifth years from original purchase date.	Repair or replace any parts in the cabinet liner or sealed refrigeration system (compressor, condenser, evaporator, dryer or tubing) which prove to be defective in materials or workmanship.	Costs for pickup and delivery of the appliance required because of service. Costs for labor, parts and transportation other than with respect to the cabinet liner or Sealed Refrigeration System.
LIMITED WARRANTY (Applicable to the State of Alaska)	Time periods listed above.	All of the provisions of the full warranties above and the exclusions listed below apply.	Costs of the technician's travel to the home and any costs for pick up and delivery of the appliance required because of service.

In the U.S.A., your appliance is warranted by Electrolux Home Products, Inc. We authorize no person to change or add to any of our obligations under this warranty. Our obligations for service and parts under this warranty must be performed by us or an authorized Electrolux Home Products, Inc. servicer. In Canada, your appliance is warranted by Electrolux Canada Corp.

*NORMAL RESPONSIBILITIES OF THE CUSTOMER

This warranty applies only to products in ordinary household use, and the consumer is responsible for the items listed below:

1. Proper use of the appliance in accordance with instructions provided with the product.
2. Proper installation by an authorized servicer in accordance with instructions provided with the appliance and in accordance with all local plumbing, electrical and/or gas codes.
3. Proper connection to a grounded power supply of sufficient voltage, replacement of blown fuses, repair of loose connections or defects in house wiring.
4. Expenses for making the appliance accessible for servicing, such as removal of trim, cupboards, shelves, etc., which are not a part of the appliance when it was shipped from the factory.
5. Damages to finish after installation.
6. Replacement of light bulbs and/or fluorescent tubes (on models with these features).

EXCLUSIONS

This warranty does not cover the following:

1. CONSEQUENTIAL OR INCIDENTAL DAMAGES SUCH AS PROPERTY DAMAGE AND INCIDENTAL EXPENSES RESULTING FROM ANY BREACH OF THIS WRITTEN OR ANY IMPLIED WARRANTY.

Note: Some states do not allow the exclusion or limitation of incidental or consequential damages, so this limitation or exclusion may not apply to you.

2. Service calls which do not involve malfunction or defects in workmanship or material, or for appliances not in ordinary household use. The consumer shall pay for such service calls.
3. Damages caused by services performed by servicers other than Electrolux Home Products, Inc., Electrolux Canada Corp., or its authorized servicers; use of parts other than genuine Electrolux Home Products parts; obtained from persons other than such servicers; or external causes such as abuse, misuse, inadequate power supply or acts of God.
4. Products with original serial numbers that have been removed or altered and cannot be readily determined.

IF YOU NEED SERVICE

Keep your bill of sale, delivery slip, or some other appropriate payment record. The date on the bill establishes the warranty period should service be required. If service is performed, it is in your best interest to obtain and keep all receipts. This written warranty gives you specific legal rights. You may also have other rights that vary from state to state. Service under this warranty must be obtained by contacting Electrolux Home Products, Inc. or Electrolux Canada Corp.

This warranty only applies in the 50 States of the U.S.A. and Puerto Rico, and Canada. Product features or specifications as described or illustrated are subject to change without notice. All warranties are made by Electrolux Home Products, Inc. In Canada, your appliance is warranted by Electrolux Canada Corp.

USA

1-877-435-3287

©2010 Electrolux Home Products, Inc.
10200 David Taylor Drive
Charlotte, NC 28262

Canada

1-800-265-8352

Electrolux Canada Corp.
5855 Terry Fox Way
Mississauga, Ontario, Canada
L5V 3E4

Troubleshooting Guide

Before calling for service, review this list. It may save you time and expense. This list includes common occurrences that are not the result of defective workmanship or materials in this refrigerator.

Problem	Cause	Correction
Refrigerator Operation		
Refrigerator does not run.	<ul style="list-style-type: none"> * Refrigerator is plugged into a circuit that has a ground fault interrupt. * Temperature control set to "OFF". * Refrigerator may not be plugged in, or plug may be loose. * House fuse blown or tripped circuit breaker. * Power outage. 	<ul style="list-style-type: none"> * Use another circuit. If you are unsure about the outlet, have it checked by a certified technician. * See "SETTING THE TEMPERATURE CONTROL" section. * Ensure plug is tightly pushed into outlet. * Check/replace fuse with a 15 amp time delay fuse. Reset circuit breaker. * Check house lights. Call local Electric Company.
Refrigerator runs too much or too long.	<ul style="list-style-type: none"> * Room or outside weather is hot. * Refrigerator has recently been disconnected for a period of time. * Large amount of warm or hot food have been stored recently. * Door is opened too frequently or kept open too long. * Door may be slightly open * Temperature control is set too low. * Refrigerator gaskets are dirty, worn, cracked or poorly fitted. 	<ul style="list-style-type: none"> * Room or outside weather is hot. * Refrigerator has recently been disconnected for a period of time. * Large amount of warm or hot food have been stored recently. * Door is opened too frequently or kept open too long. * Make sure refrigerator door is completely closed. * Temperature control is set too low. * Refrigerator gaskets are dirty, worn, cracked or poorly fitted.
Interior refrigerator temperature is too cold.	<ul style="list-style-type: none"> * Temperature control is set too low. 	<ul style="list-style-type: none"> * Set control to a warmer setting. Allow several hours for the temperature to stabilize.
Interior refrigerator temperature is too warm.	<ul style="list-style-type: none"> * Temperature control is set too warm. * Door is opened too frequently or kept open too long. * Door may be slightly open. * Large amount of warm or hot food have been stored recently. * Refrigerator has recently been disconnected for a period of time. 	<ul style="list-style-type: none"> * Set control to a colder setting. Allow several hours for the temperature to stabilize. * Warm air entering the refrigerator causes it to run more. Open the door less often. * See "DOOR PROBLEMS". * Wait until the refrigerator has had a chance to reach its selected temperature. * Refrigerator requires 24 hours to cool down completely.
"LO" is displayed on control.	<ul style="list-style-type: none"> * Control has been locked. 	<ul style="list-style-type: none"> * Press the CONTROL LOCK key for three seconds to unlock.
"E7", "E8", "E9" is displayed on control.	<ul style="list-style-type: none"> * The control has registered an error code. 	<ul style="list-style-type: none"> * For toll-free telephone support in the U.S. and Canada: 1-877-4ELECTROLUX (1-877-435-3287)
"Sb" is displayed on control.	<ul style="list-style-type: none"> * The control is in Sabbath Mode. 	<ul style="list-style-type: none"> * Pressing the CONTROL LOCK and TEMP MODE keys to exit Sabbath Mode.
Sound And Noise		
Louder sound levels whenever refrigerator is on.	<ul style="list-style-type: none"> * Modern refrigerators have increased storage capacity and more stable temperatures. They require heavy duty compressors. 	<ul style="list-style-type: none"> * This is normal. When the surrounding noise level is low, you might hear the compressor running while it cools the interior.
Louder sound levels when compressor comes on.	<ul style="list-style-type: none"> * Refrigerator operates at higher pressures during the start of the ON cycle. 	<ul style="list-style-type: none"> * This is normal. Sound will level off or disappear as refrigerator continues to run.
Popping or cracking sound when compressor comes on.	<ul style="list-style-type: none"> * Metal parts undergo expansion and contraction, as in hot water pipes. 	<ul style="list-style-type: none"> * This is normal. Sound will level off or disappear as refrigerator continues to run.

20 Solutions To Common Problems

Problem	Cause	Correction
Sound And Noise (Continued)		
Bubbling or gurgling sound.	* Refrigerant (used to cool refrigerator is circulating throughout the system.	* This is normal.
Vibrating or rattling noise.	* Refrigerator is not level. It rocks on the floor when it is moved slightly.	* Level the refrigerator. Refer to "LEVELING" in the "FIRST STEPS" section.
	* Floor is uneven or weak.	* Ensure floor can adequately support refrigerator. Level the refrigerator by putting wood or metal shims under part of the refrigerator.
	* Refrigerator is touching the wall.	* Re-level refrigerator or move refrigerator slightly. Refer to "LEVELING" in the "FIRST STEPS" section.
Water / Moisture / Frost Inside Refrigerator		
Moisture forms on inside refrigerator walls.	* Weather is hot and humid, which increases internal rate of frost buildup.	* This is normal.
	* Door is slightly open.	* See "DOOR PROBLEMS".
	* Door is kept open too long or is opened too frequently.	* Open the door less often.
Odor In Refrigerator		
Odors in refrigerator.	* Interior needs to be cleaned.	* Clean interior with sponge, warm water, and baking soda. Replace air filter.
	* Foods with strong odors are in the refrigerator.	* Cover the food tightly.
Door Problems		
Door will not close.	* Refrigerator is not level. It rocks on the floor when it is moved slightly.	* This condition can force the cabinet out of square and misalign the door. Refer to "LEVELING" in the "FIRST STEPS" section.
	* Floor is uneven or weak.	* Ensure floor can adequately support refrigerator. Level the refrigerator by putting wood or metal shims under part of the refrigerator.
Lighting Problems		
Light bulb is not on.	* The LED or light bulb is burned out.	* Follow directions under "LED LIGHTING" in the "REFRIGERATOR FEATURES" section.
	* No electric current is reaching the refrigerator.	* See "REFRIGERATOR DOES NOT RUN".
	* Control is in Sabbath mode (Sb is displayed on control)	* Depress TEMP MODE key and CONTROL LOCK key for 3 seconds.

Installation Checklist

Doors

- Handles are secure and tight
- Door seals completely to cabinet on all sides
- Freezer door is level across the top

Leveling

- Refrigerator is level, side-to-side and front-to-back
- Toe grille is properly attached to refrigerator
- Cabinet is setting solid on all corners

Electrical Power

- House power turned on
- Refrigerator plugged in

Air Filter

- Air Filter is installed

Final Checks

- Shipping material removed
- Fresh food temperatures set
- Crisper humidity controls set
- Registration card sent in