

INSTALLATION INSTRUCTIONS

Tools and Parts

Gather the required tools and parts before starting installation. Read and follow the instructions provided with any tools listed here.

Tools Needed

- Flat-blade and Phillips screwdrivers
- Tape measure
- Level
- Drill and $\frac{1}{8}$ " or smaller bit

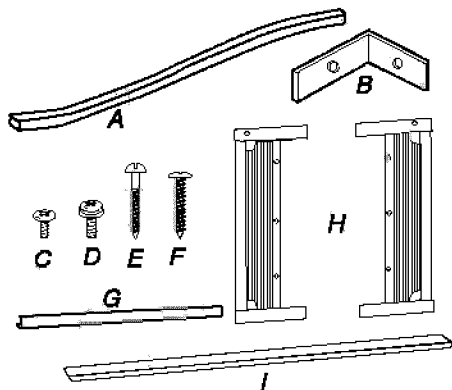
Through-the-Wall Installation:

In addition to the tools listed above, the following tools are needed for through-the-wall installation.

- Saw
- Wood preservative
- Caulk
- 1" (2.5 cm) or thicker lumber
- #10 x 1" wood screws (7)

Parts Supplied (on some models)

Check that all parts are included in parts package.



- A. Foam window sash seal
- B. Window lock brackets (2)
- C. #10 x $\frac{1}{4}$ " pan-head Phillips screws (6)
- D. #10 x $\frac{3}{8}$ " pan-head Phillips screws (3)
- E. #10 x $\frac{3}{4}$ " round-head screws (6)
- F. #10 x $\frac{1}{2}$ " pan-head Phillips screws (3)
- G. Top channel
- H. Side curtains (2)
- I. Foam seal

NOTE: Installation parts are supplied for double-hung windows up to 40" (101.6 cm) wide. A special Wide Window Kit is available from your dealer or service center. See "Accessories."

Location Requirements

IMPORTANT: Observe all governing codes and ordinances.

Check the location where air conditioner will be installed. Proper installation is your responsibility. Make sure you have everything necessary for correct installation.

The location should provide:

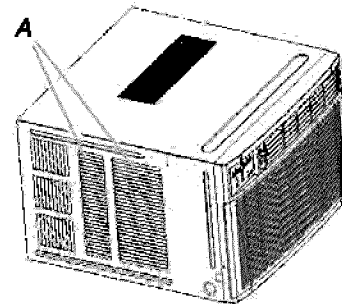
- Grounded electrical outlet within 4 ft (122 cm) of where the power cord exits the air conditioner.

NOTE: Do not use an extension cord.

- Free movement of air in room to be cooled.
- A large enough opening for the air conditioner.

- Adequate wall support for weight of air conditioner. Air conditioner weighs between 88 and 95 lbs (36 to 44 kg).

NOTE: Cabinet louvers must not be obstructed. Air must be able to pass freely through the cabinet louvers.

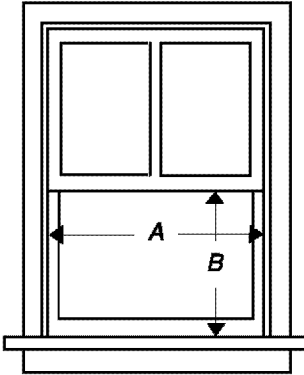


A. Cabinet louvers

Window Installation

Window opening measurements:

- 27" to 40" (68.6 cm to 101.6 cm) opening width.
- 16¹/₄" (41.3cm) minimum opening height.

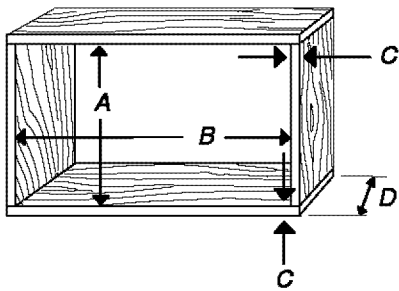


A. 27" (68.6 cm) minimum
B. 16¹/₄" (41.3 cm) minimum

Through-the-Wall Installation

The wall opening measurements should be:

- Width: 22⁵/₈" (57.5 cm) plus twice thickness of wood used to build frame.
- Height: 16" (40.6 cm) plus twice thickness of wood used to build frame.
- Depth: 2¹/₂" (6.4 cm) minimum to 6" (15.2cm) maximum.



A. 16" (40.6 cm)
B. 22⁵/₈" (57.5 cm)

C. Wood thickness
D. 2¹/₂" (6.4) minimum to
6" (15.2cm) maximum.

INSTALLATION INSTRUCTIONS

Unpacking

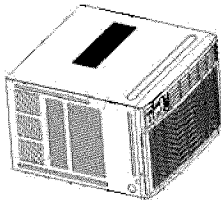
Excessive Weight Hazard

Use two or more people to move and install air conditioner.

Failure to do so can result in back or other injury.

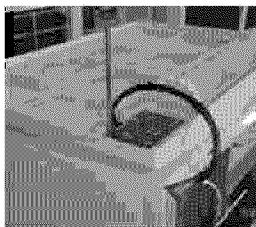
Remove packaging materials

- Remove and dispose of/recycle packaging materials. Remove tape and glue residue from surfaces before turning on the air conditioner. Rub a small amount of liquid dish soap over the adhesive with your fingers. Wipe with warm water and dry.
 - Do not use sharp instruments, rubbing alcohol, flammable fluids, or abrasive cleaners to remove tape or glue. These products can damage the surface of your air conditioner.
 - Handle the air conditioner gently.
1. Remove the air conditioner from the carton and place it on cardboard.
 2. Remove shipping screws from both sides of the cabinet.

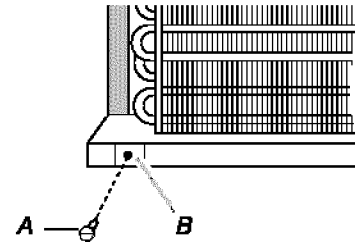


A
A. Shipping screw

3. Remove front panel by removing 2 Phillips screws, one from either side of front.
3A: Remove four screws of control panel from front panel.

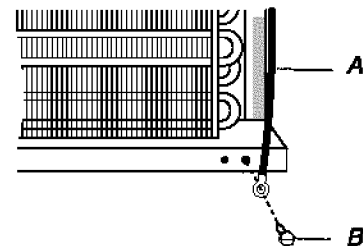


4. Remove the window lock bracket and screw from the air conditioner and set aside (on some models)



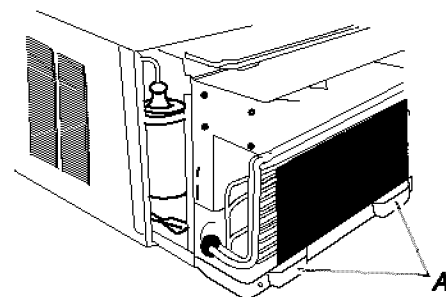
A. Window lock bracket screw
B. Window lock bracket

5. Remove the ground screw and ground wire from the front of the air conditioner base. Save the ground screw.



A. Green ground wire
B. Ground screw

6. Pull on the handles to slide the air conditioner out of the cabinet. Place the air conditioner on cardboard.



A. Handles

NOTE: Do not lift, push, pull or remove any expanded polystyrene (foam) from inside the air conditioner. It is not packing material.

Window Installation (on some models)

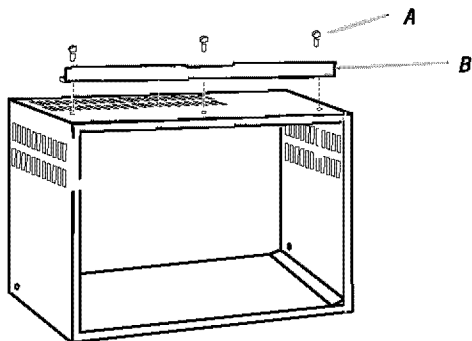
NOTES:

- Handle the air conditioner gently.
- Be sure your air conditioner cabinet does not fall out of the opening during installation or removal.
- The place where the power cord exits the air conditioner should be no more than 4 ft (122 cm) from a grounded 3 prong outlet.
- Do not block the louvers on the front panel.
- Do not block the louvers on the outside of the air conditioner.

Attach Top Channel

NOTE: Attach the top channel and side curtains to the air conditioner cabinet before placing the cabinet in the window.

1. Locate provided bag of screws .
2. Place the top channel on top of the air conditioner cabinet, lining up the 3 holes in the top channel with the 3 holes on top of the air conditioner cabinet.
3. Using 3 - #10 x 3/8" pan-head Phillips thread-cutting screws, attach the top channel to the air conditioner cabinet.

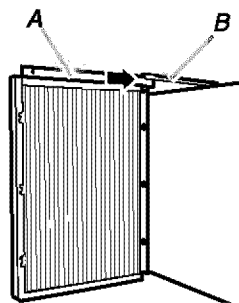


A. Top channel
B. #10 x 3/8" pan-head Phillips thread-cutting screws

Attach Side Curtains

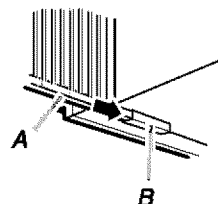
1. Locate provided bag of screws .
2. Insert the top and then the bottom of the right-hand curtain housing in the top and bottom curtain channels on the air conditioner.

Top view



A. Curtain housing
B. Curtain top channel on air conditioner

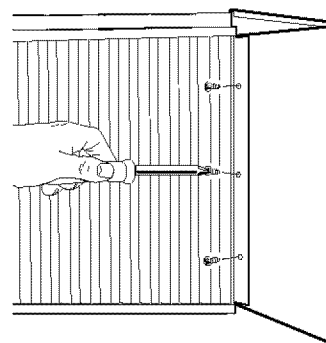
Bottom view



A. Curtain housing
B. Curtain bottom channel on air conditioner

3. Extend right-hand curtain outward so you may insert the first screw through the middle hole of the curtain. Using #10 x 1/4" pan-head Phillips screw, screw the curtain to the middle hole in the air conditioner cabinet.

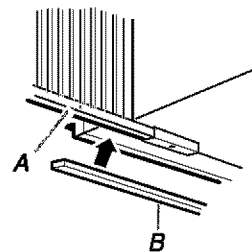
NOTE: This screw is required to correctly attach the curtain (top to bottom) to the air conditioner cabinet.



4. While the right-hand curtain is still extended, insert #10 x 1/4" pan-head Phillips screws into the top and bottom slots of curtain. Screw the curtain to the top and bottom holes in the air conditioner cabinet.
5. Slide the curtain housing into the curtain guides as far as it will go.
6. Repeat the above steps for the left-hand curtain.

Attach foam adhesive seal

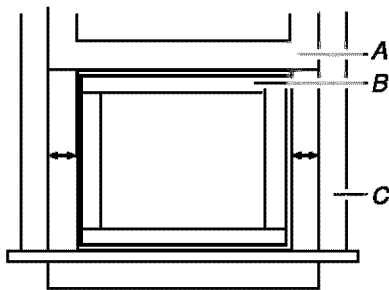
Attach foam adhesive seal along the bottom of the curtain bottom channel.



A. Curtain housing
B. Foam adhesive seal

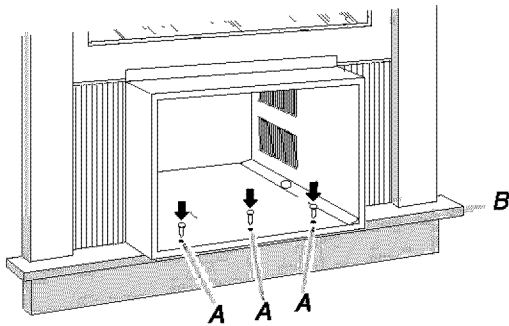
Install Cabinet into Window

- Handle the air conditioner gently.
 - Be sure your air conditioner cabinet does not fall out of the opening during installation or removal.
 - The place where the power cord exits the air conditioner should be no more than 4 ft (122 cm) from a grounded 3 prong outlet.
 - Do not block the louvers on the front panel.
 - Do not block the louvers on the outside of the air conditioner.
1. Center empty cabinet in window. Check that lower rail of air conditioner cabinet is behind and against back side of windowsill. Maintain a firm hold on the air conditioner cabinet. Lower window sash to hold the cabinet in place.
 2. Measure the distance between the right-hand side of the cabinet and the inside of the window channel.
 3. Repeat for the left side. Adjust the cabinet until the distance on each side is the same.



A. Window sash
B. Empty cabinet
C. Window channel

4. Use a $\frac{3}{16}$ " drill bit to drill 3 starter holes $\frac{3}{8}$ " deep through the 3 holes in the cabinet and into the windowsill.
5. Attach cabinet to windowsill with 3 - #10 x $\frac{1}{2}$ " pan-head Phillips screws.



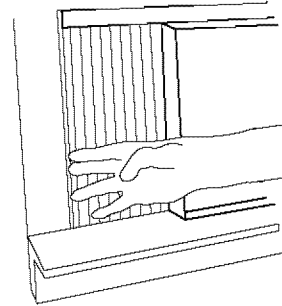
A. #10 x $\frac{1}{2}$ " pan-head Phillips screws
B. Windowsill

6. Check that air conditioner cabinet is tilted to the outside so that water will run to the outside.

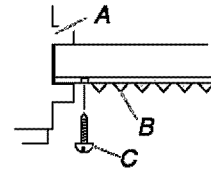
Attach Side Curtains to Window Frame

1. Pull the left-hand curtain out until it fits into the window channel. Use a $\frac{3}{32}$ " drill bit to drill a starter hole through the hole in the curtain housing and into the lower window sash.

Front View

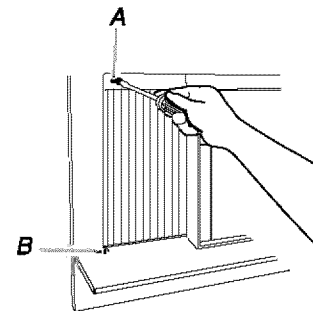


Top View



A. Window channel
B. Left-hand curtain
C. #10 x $\frac{3}{4}$ " round-head screw

2. Insert one of the #10 x $\frac{3}{4}$ " round-head screws through the threaded hole in the top of the curtain.



A. #10 x $\frac{3}{4}$ " round-head screw
B. Slotted hole in the bottom of the curtain

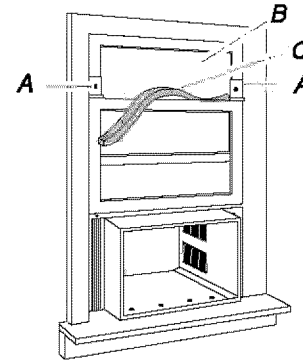
3. Repeat for the right-hand curtain.

Attach Support Brackets

Attach the support bracket to the cabinet by aligning the holes in the bracket with the holes in the cabinet.

Complete Installation

1. Insert seal behind the top of the lower window sash and against the glass of the upper window.
2. Place one window-lock bracket on top of lower window and against upper window sash on each side of the window.
3. Use a $\frac{3}{32}$ " drill bit to drill a starter holes through the holes in each bracket into the window sash.
4. Attach both the window-lock brackets to the window sash with #10 x $\frac{3}{4}$ " round-head screws to secure window in place.



A. Window lock brackets
B. Upper window glass
C. Foam window sash seal

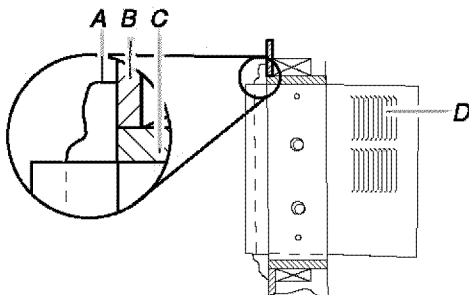
Through-the-Wall Cabinet Installation

NOTES:

- Handle air conditioner gently.
- Be sure your air conditioner cabinet does not fall out of the opening during installation or removal.
- The place where the power cord exits the air conditioner should be no more than 4 ft (122 cm) from a grounded 3 prong outlet.
- Do not block the louvers on the front panel.
- Do not block the louvers on the outside of the air conditioner.
- It is the customer's responsibility and obligation to have this product installed by a qualified technician familiar with through-the-wall room air conditioner installations.

Option 1—Wood, metal or plastic molding

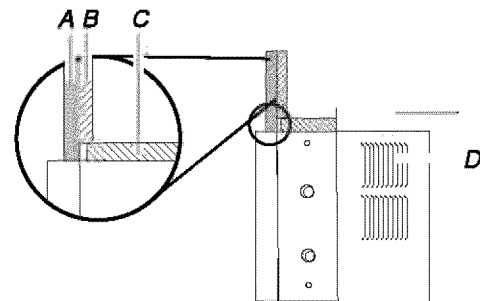
When using a wood, metal or plastic molding, the wood frame should line up with the inside wall as shown.



A. Molding
B. Inside wall
C. Wood frame
D. Louvers

Option 2—Plastered wall with no molding

If the plastered wall is to be flush with the cabinet and no molding is used, the wood frame must be set $\frac{1}{2}$ " (13 mm) into the inside wall.



A. Plastered wall
B. Inside wall
D. Louvers

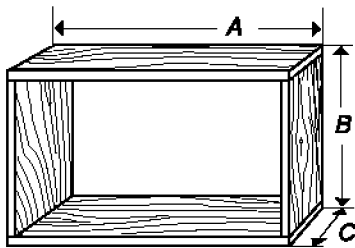
Install Wood Frame

1. Construct the wood frame. See "Location Requirements" for dimensions.
2. Measure the outside width and height of frame to determine wall opening dimensions.
3. Cut the opening through the wall. Remove and save insulation.

NOTES:

- Dimension for depth depends on wall thickness and type of molding.
- Do not block louvers in air conditioner cabinet.

- Use 1" (2.5 cm) or thicker lumber for wood frame.

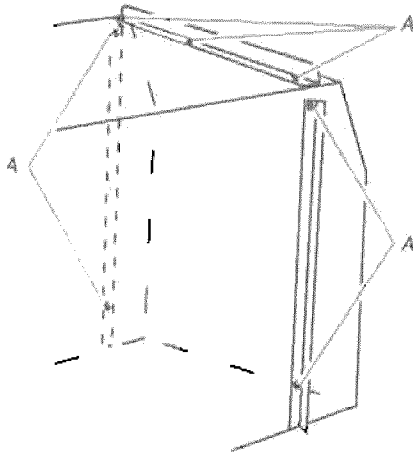


A. Outside width
B. Outside height
C. Depth

4. Apply the wood preservative to the outside exposed surface.
5. Insert the frame in the wall opening. Square and level frame.
6. Attach frame securely to the wall.

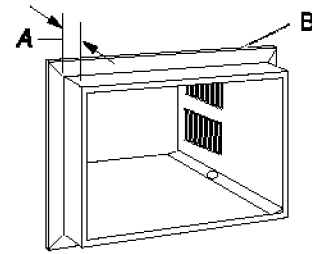
Install Cabinet into Wood Frame

1. Remove top channel and both side channels using a $\frac{1}{4}$ " nut driver or socket wrench. Discard top channel and both side channels.



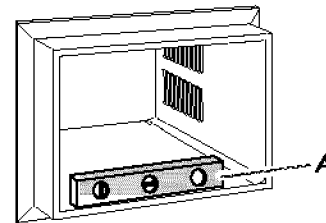
A. Remove these screws

2. Insert cabinet into the framed wall opening. The top of the cabinet should extend $\frac{3}{4}$ " (19.1 mm) into the room. If there is trim, the cabinet should extend $\frac{3}{4}$ " (19.1 mm) past the trim.



A. $\frac{3}{4}$ " (19.1 mm) extending into room
B. Trim

3. Use a level to check that cabinet is level side to side.



A. Level

4. Check that air conditioner cabinet is tilted to the outside so that water will run to the outside. The cabinet should slope at least half-a-bubble towards the rear.
5. Reuse the insulation to seal opening between cabinet and frame.
6. Use existing holes in sides and top of cabinet and 7 - #10 x 1" wood screws (not provided) to attach cabinet to frame.
NOTE: Do not overtighten screws or the cabinet will distort and provide a poor air seal between cabinet and air conditioner.
7. Caulk all outside wall openings around cabinet.

Complete Installation

NOTE: Handle the air conditioner gently.

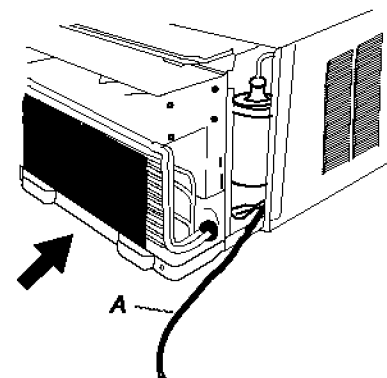
1. Make sure the free end of the ground wire is outside of the cabinet.

Excessive Weight Hazard

Use two or more people to move and install air conditioner.

Failure to do so can result in back or other injury.

2. Insert air conditioner into cabinet.



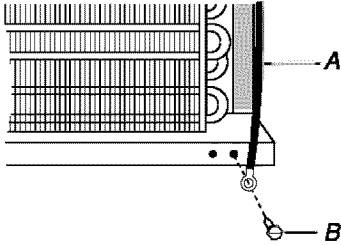
A. Make sure the free end of the ground wire is outside of the cabinet.

! Electrical Shock Hazard !

Connect green ground wire to ground screw.

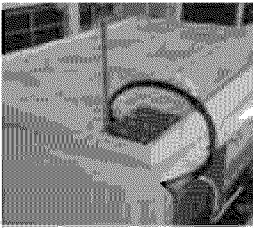
Failure to do so can result in death or electrical shock.

3. Connect green ground wire to cabinet base with ground screw. Position ground wire pointing straight up. Put excess ground wire between coil and air conditioner cabinet.

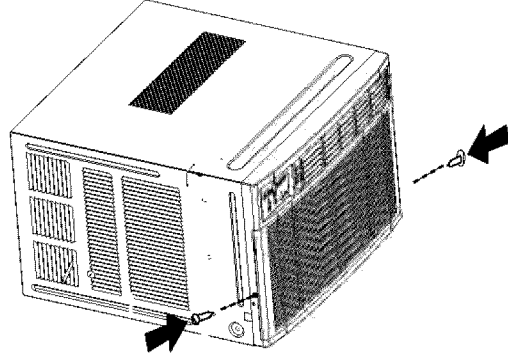


*A. Green ground wire
B. Ground screw*

4. Install control panel back to the front panel and push front panel straight on and then lower it slightly to lock it into place.



5. Insert front tabs of front panel into top of cabinet and swing front into place.
6. Attach bottom front of panel with front panel screws. Replace control knobs (on some models).



NOTE: For through-the-wall installations, if needed, install molding around the room side of cabinet.

7. Plug into a grounded 3 prong outlet.
8. Press RESET on the power supply cord.