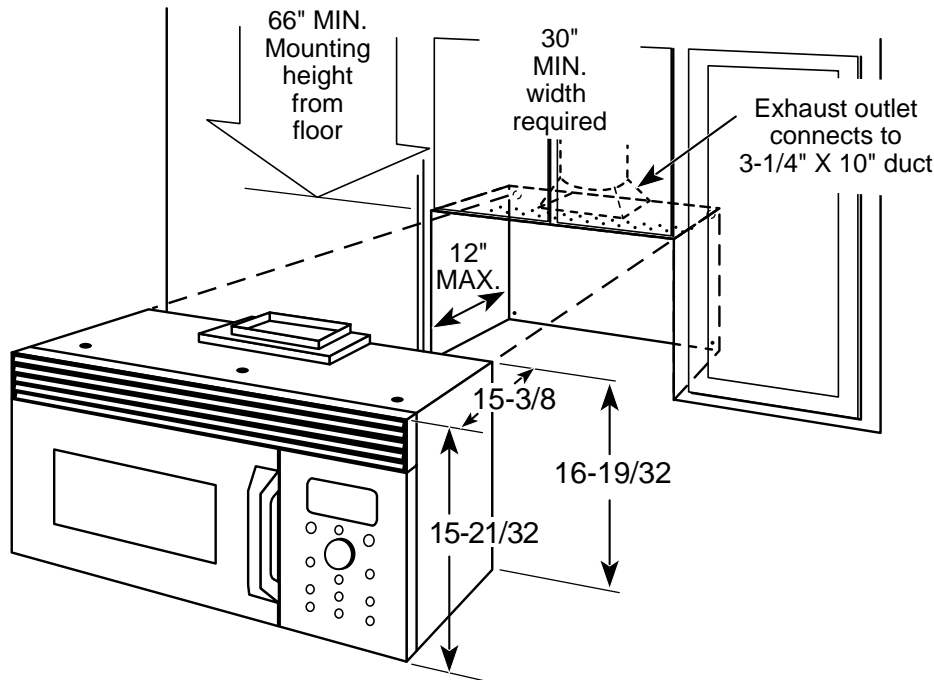




Profile™

SCA1000DBB/CC/WW – Advantium™ 120 Oven

Dimensional Information (in inches)



Electrical Requirements:

Product rating is 120 volts AC, 60 Hertz, 15 amps and 1800 watts. Product plugs into any standard 120-volt outlet.

Specification Revised 7/02

Installation Requirements:

1. A minimum of 30" between the cabinets is required for the installation. If the space between the cabinets is greater than 30", a Filler Panel Kit may be used to fill the gap between the oven and the cabinets. Your Owner's Manual contains the kit number for your model.
2. Make sure the bottom edge of the cabinet that will be above the oven will be at least 66" from the floor and 30" from the cooking surface.
3. For easier access to change the hood and range lamps, the bottom of the oven should be at least 2" above the range backsplash.
4. If you are going to vent your oven to the outside, see exhaust duct preparation instructions.
5. **When installing the oven beneath smooth, flat cabinets, be careful to follow the instructions on the top cabinet template for power cord clearance.**
6. For best installation results, we recommend a maximum cabinet depth of 12"

Installation Information: This information is not intended to be used for installing unit described. Before installing, consult installation instructions packed with product/kit for current dimensional data.



For answers to your Monogram® GE Profile™ or GE appliance questions, visit our website at GEAppliances.com or call GE Answer Center® service, 800.626.2000.



Profile™

SCA1000DBB/CC/WW – Advantium™ 120 Oven

Hood Exhaust Duct

Outside ventilation requires a HOOD EXHAUST DUCT. Read the following carefully.

EXHAUST CONNECTION:

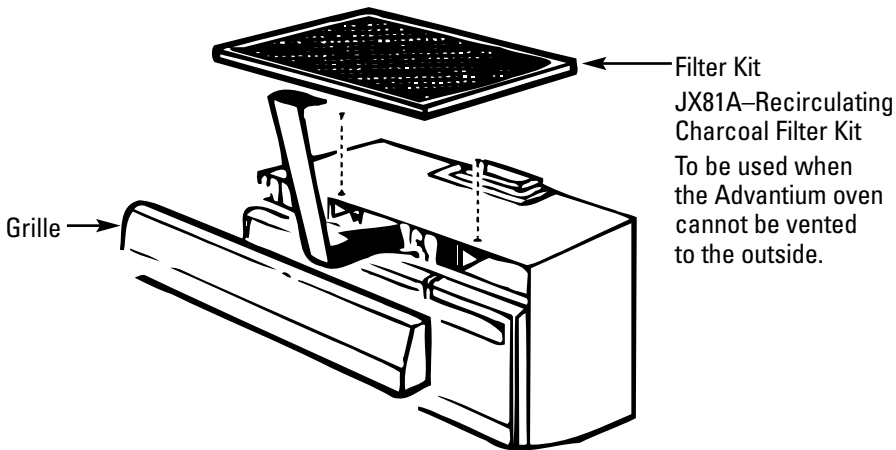
The hood exhaust has been designed to mate with a standard 3-1/4" x 10" rectangular duct.

If a round duct is required, a rectangular-to-round transition adaptor must be used. Do not use less than a 6" diameter duct.

REAR EXHAUST:

If a rear or horizontal exhaust is to be used, care should be taken to align exhaust with the space between studs, or wall should be prepared at the time it is constructed by leaving enough space between the wall studs to accommodate exhaust.

Filter Kit Accessory



Specification Revised 7/02

MAXIMUM DUCT LENGTH:

For satisfactory air movement, the total duct length of 3-1/4" x 10" rectangular or 6" diameter round duct should not exceed 140 equivalent feet.

ELBOWS, TRANSITIONS, WALL AND ROOF CAPS, etc., present additional resistance to airflow and are equivalent to a section of straight duct which is longer than their actual physical size. When calculating the total duct length, add the equivalent length of all transitions and adaptors plus the length of all straight duct sections. The chart below shows the approximate feet of equivalent length of some typical ducts.

Duct	Equivalent Feet
A. Rectangular-To-round Transition Adaptor	5 ft.
B. Wall Cap	40 ft.
C. 90° Elbow	10 ft.
D. 45° Elbow	5 ft.
E. 90° Elbow	25 ft.
F. 45° Elbow	5 ft.
G. Roof Cap	24 ft.

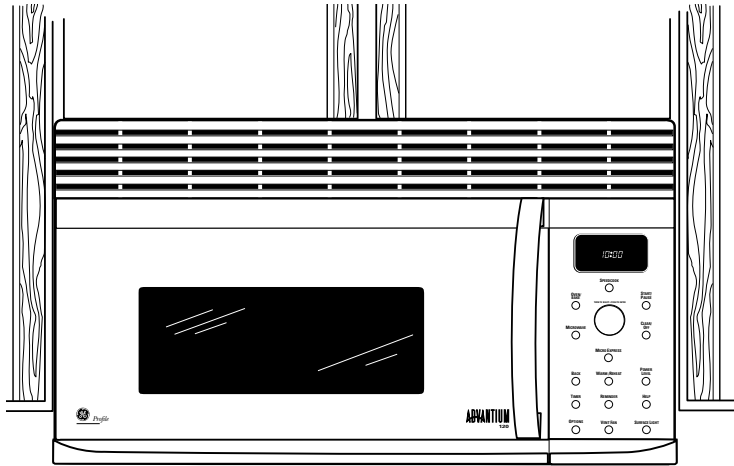


For answers to your Monogram®, GE Profile™ or GE appliance questions, visit our website at GEAppliances.com or call GE Answer Center® service, 800.626.2000.



Profile™

SCA1000DBB/CC/WW – Advantium™ 120 Oven



Features and Benefits

- Revolutionary Speedcook Technology Cooks Oven-Quality Food Up To Four Times Faster Than a Convectional Oven
- Full Range of Cooking Options: Speedcook, Traditional Oven, Microwave and Warming
- Over 100 Pre-Programmed Menu Items, Repeat Last
- Bakes, Browns, Broils, Grills and Roasts—All with No Preheating
- Family-Size Oven with Stainless Steel Interior
- Mounts Easily and Plugs into Any Standard 120-Volt Power Outlet
- Model SCA1000DWW – White on white
- Model SCA1000DBB – Black on black
- Model SCA1000DCC – Bisque on bisque
- Model SCA1001DSS – Stainless steel