

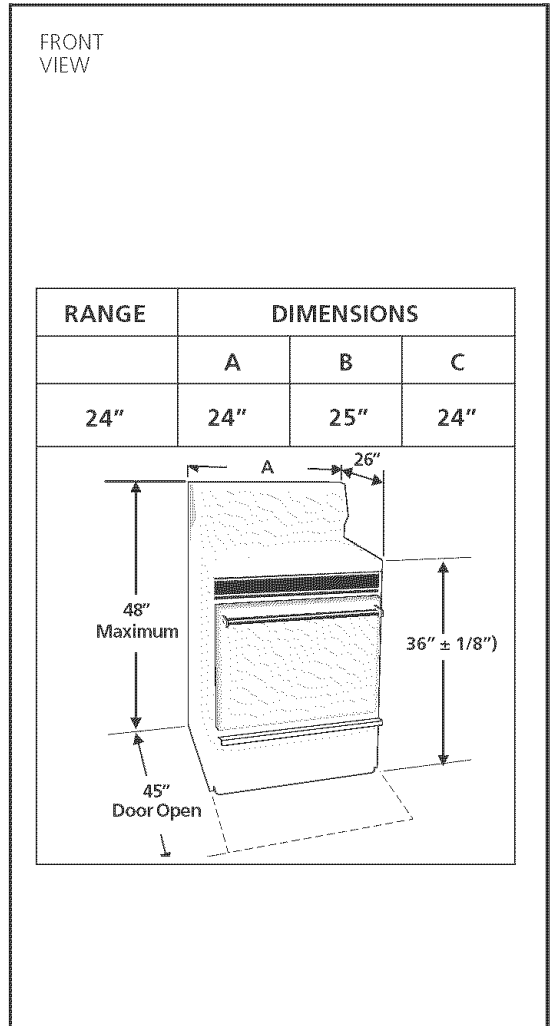
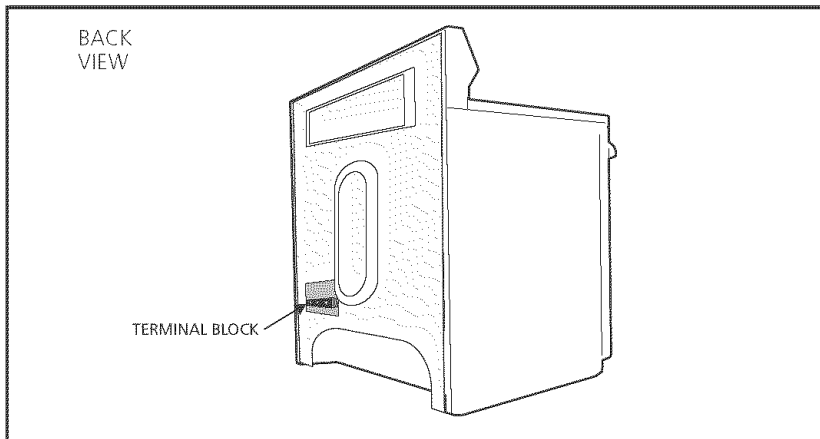
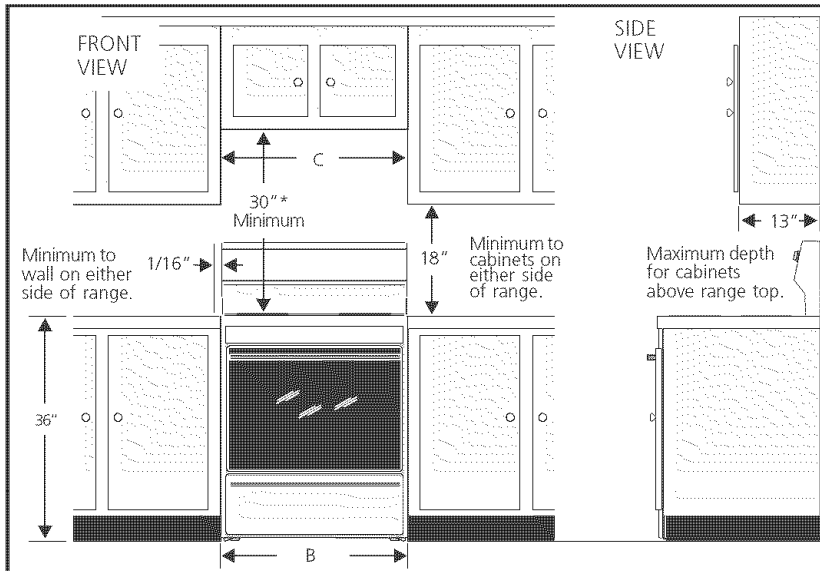
24" ELECTRIC RANGE INSTALLATION INSTRUCTIONS

(For 3 Wire, 60 Hz. Systems)

**INSTALLATION AND SERVICE MUST BE PERFORMED BY A QUALIFIED TECHNICIAN.
IMPORTANT: SAVE FOR THE LOCAL ELECTRICAL INSPECTOR'S USE.
READ AND SAVE THESE INSTRUCTIONS FOR FUTURE REFERENCE.**

1. Clearances and Dimensions

- Provide adequate clearances between the range and adjacent combustible surfaces.
- Location—Check location where the range will be installed. Check for proper electrical supply and the stability of floor.
- Dimensions that are shown must be used. Given dimensions provide minimum clearance. Contact surface must be solid and level.



* 30" MINIMUM CLEARANCE BETWEEN THE TOP OF THE COOKING SURFACE AND THE BOTTOM OF AN UNPROTECTED WOOD OR METAL CABINET; OR 24" MINIMUM WHEN BOTTOM OF WOOD OR METAL CABINET IS PROTECTED BY NOT LESS THAN 1/4" FLAME RETARDANT MILLBOARD COVERED WITH NOT LESS THAN NO. 28 MSG SHEET STEEL, 0.015" STAINLESS STEEL, 0.024" ALUMINUM OR 0.020" COPPER. 0" CLEARANCE IS THE MINIMUM FOR THE REAR OF THE RANGE. FOLLOW ALL DIMENSION REQUIREMENTS PROVIDED ABOVE TO PREVENT PROPERTY DAMAGE, POTENTIAL FIRE HAZARD, AND INCORRECT COUNTERTOP AND CABINET CUTS.

TO ELIMINATE THE RISK OF BURNS OR FIRE BY REACHING OVER HEATED SURFACE UNITS, CABINET STORAGE SPACE LOCATED ABOVE THE SURFACE UNITS SHOULD BE AVOIDED. IF CABINET STORAGE IS TO BE PROVIDED, THE RISK CAN BE REDUCED BY INSTALLING A RANGE HOOD THAT PROJECTS HORIZONTALLY A MINIMUM OF 5" BEYOND THE BOTTOM OF THE CABINETS.

24" ELECTRIC RANGE INSTALLATION INSTRUCTIONS

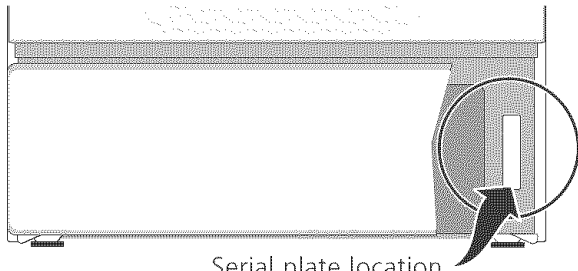
(For 3 Wire, 60 Hz. Systems)

2. Install Anti-Tip Bracket(s). (See instructions on page 4.)

3. Serial Plate Information

The serial plate is located on the frame and is visible when the drawer is opened. See the serial plate for the following information:

- A. Model, lot and serial number of range.
- B. Kilowatt rating (power requirements).
- C. Voltage ratings.



4. Electrical Connection Requirements

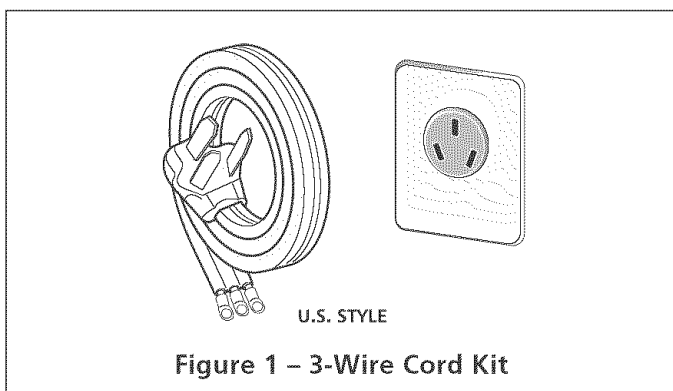
This appliance must be properly installed and grounded by a qualified technician in accordance with the National Electrical Code ANSI/NFPA No. 70--latest edition--and local electrical code requirements.

This appliance may be connected by means of permanent "Hard Wiring" or "Power Supply Cord Kit."

When hard wiring, do not leave excess wire in range compartment. Excess wire in the range compartment may not allow the access cover to be replaced properly, and could create a potential electrical hazard if wires become pinched. Connect only as instructed under "WIRING INSTRUCTIONS" in sections 6 and 7. When using flexible conduit or range cable, use flex connector or range cable strain relief.

NOTE: Only use copper wire in connection to terminal block.

4B. Models Requiring Power Supply Cord Kit



⚠ WARNING RISK OF FIRE OR ELECTRICAL SHOCK MAY OCCUR IF AN INCORRECT SIZE RANGE CORD KIT IS USED, THE INSTALLATION INSTRUCTIONS ARE NOT FOLLOWED OR STRAIN RELIEF BRACKET IS DISCARDED.

This appliance may be connected by means of a power supply cord. Only a power supply cord kit rated at 40 amperes, 125/250 volts minimum, and marked for use with ranges shall be used. Cord must have three (3) conductors. Terminals on end of wires must be either closed loop or open-end spade lugs with upturned ends. Cord must have strain relief clamp.

NOTE: MOBILE HOME INSTALLATION OR AREAS WHERE LOCAL CODES DO NOT PERMIT GROUNDING THROUGH NEUTRAL, A FOUR (4) CONDUCTOR POWER CORD MUST BE USED.

A 1-3/8" knock-out hole is provided at the bottom of the range terminal box for connecting the power supply cord kit to the range terminal block (see Figures 2 and 3).

5. Permanent Hard Wiring (3 or 4 Wires)

Insert the residence 3-wire power supply cable through the 1-1/8" hole at the bottom of the range terminal box (see Figure 2). For mobile home application or where connections with a 3-wire power supply cable is not allowed, use a 4-wire power supply cable (for connections, see Figure 3). Use a U.L. approved strain relief clamp to secure the cable to the terminal box.

6. Wiring Instructions – 3-Wire Supply Cable

⚠ WARNING ELECTRICAL GROUND IS REQUIRED ON THIS APPLIANCE.

This appliance is manufactured with the neutral terminal connected to the frame. If local codes permit connection of the frame grounding conductor to the neutral wire of the copper power supply cord:

(The 3-conductor cord or cable must be replaced with a 4-conductor cord or cable where grounding through the neutral conductor is prohibited in new installations, mobile homes, recreational vehicles or in other areas where local codes do not permit neutral grounding.)

24" ELECTRIC RANGE INSTALLATION INSTRUCTIONS

(For 3 Wire, 60 Hz. Systems)

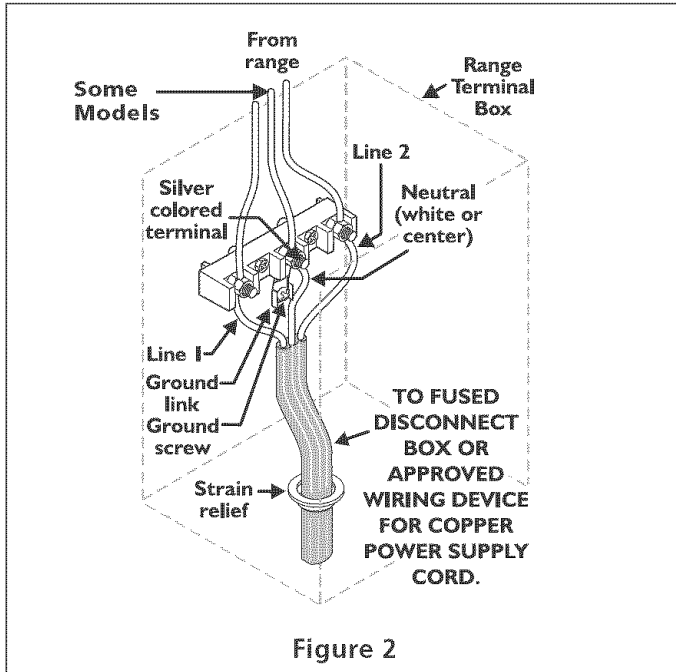


Figure 2

- Remove the 2 screws and remove terminal box cover.
- Remove the 3 loose nuts (after you removed the rubber band) on the terminal block using 3/8" nut driver or socket.
- Attach cable or pigtail to the 3 studs on terminal block, as local codes require. **The neutral wire (white) or center wire must be connected to center terminal.**
- Reinstall terminal box cover.

CAUTION Do not loosen nuts which secure the factory installed range wiring to terminal block while connecting range. Electrical failure or loss of electrical connection may occur.

GROUNDING INSTRUCTIONS

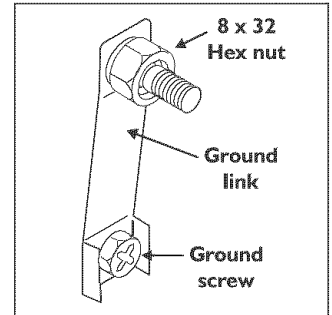
A ground link is installed on this range which connects the center terminal of the terminal block (neutral) to the chassis. The ground link is connected to the range by the center ground screw. The ground link must not be removed unless national or local codes do not permit use of the ground link.

NOTE: If the ground link is removed for any reason, a separate ground wire must be connected to the separate ground screw attached to the range chassis, and to an adequate ground source.

If used in a mobile home or if local codes do not permit grounding through the neutral, use ground lead or ground screw to ground unit in accordance with local codes. Connect neutral to branch circuit.

To Remove Ground Link:

- Remove ground link screw using a Phillips screwdriver. Save screw for future use.
- Bend up ground link so that it does not contact the range.



7. Wiring Instructions – 4-Wire Supply Cable (Mobile Homes)

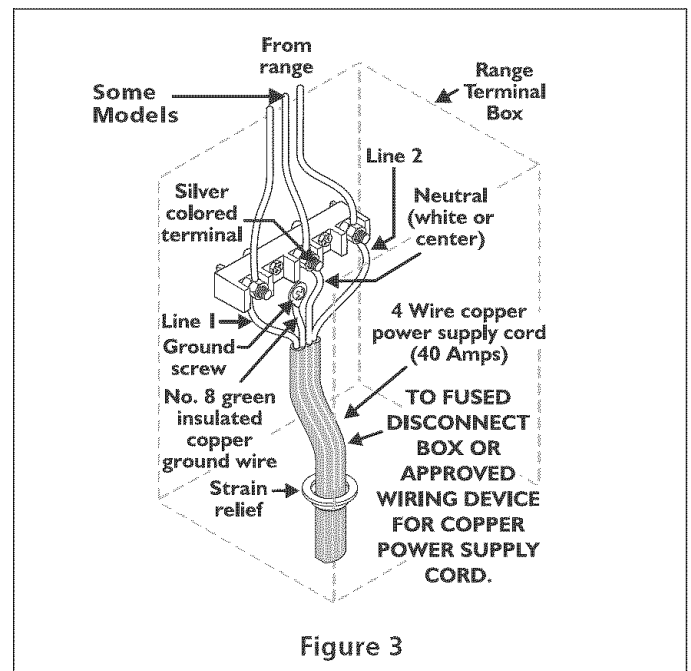


Figure 3

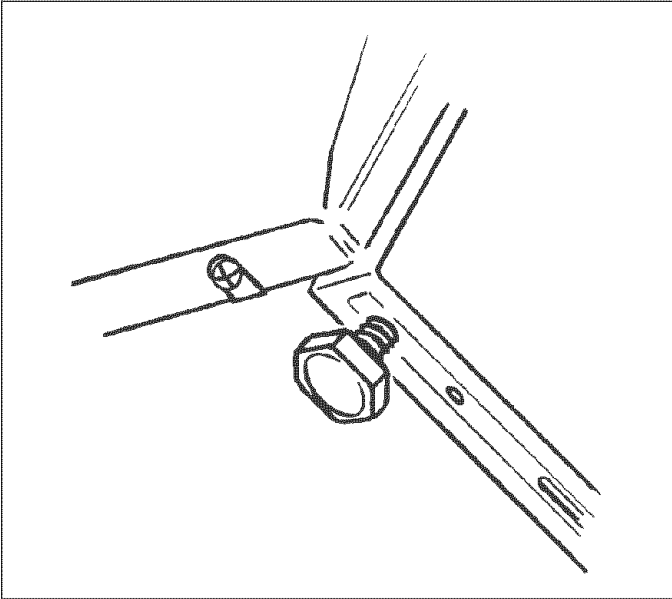
- Remove the 2 screws and remove terminal box cover.
- Remove ground link from terminal box and from appliance frame. Retain ground screw.
- Connect ground wire (green) of copper power supply cord to frame of appliance with ground screw, using hole in frame where ground strap was removed (see Figure 3).
- Connect neutral (white) wire of copper power supply cord to center silver colored terminal of terminal box, and connect the other wires to outer terminals using the 3 loose nuts on the terminal block to terminal box using 3/8" nut driver or socket.
- Reinstall terminal box cover.

24" ELECTRIC RANGE INSTALLATION INSTRUCTIONS

(For 3 Wire, 60 Hz. Systems)

8. Leveling the Range

Place a level on a properly installed oven rack. Adjust the leveling legs under the bottom corners of the range until the range is level.



9. Anti-Tip Bracket Installation Instructions

IMPORTANT SAFETY WARNING

To reduce the risk of tipping of the range, the range must be secured to the floor by properly installed anti-tip brackets and screws packed with the range. Those parts are located in a plastic bag in the oven. Failure to install the anti-tip brackets will allow the range to tip over if excessive weight is placed on an open door or if a child climbs upon it. Serious injury may result from spilled hot liquids or from the range itself. Refer to the instructions on this page for proper installation. If the range is moved to a different location, the anti-tip brackets must also be moved and installed with the range.

For the installation instructions refer to the anti-tip bracket template in a plastic bag in the oven.