

WINE CELLAR OVERLAY MODEL Use & Care Guide

For questions about features, operation/performance, parts, accessories or service, call: **1-800-422-1230**
In Canada, call for assistance **1-800-461-5681**, for installation and service, call: **1-800-807-6777** or visit our website at...
www.kitchenaid.com or www.KitchenAid.ca

CAVE À VIN MODÈLE OVERLAY Guide d'utilisation et d'entretien

Au Canada, pour assistance composez le **1-800-461-5681**, pour installation ou service composez le **1-800-807-6777** ou visitez notre site web à...
www.KitchenAid.ca

Table of Contents/Table des matières2

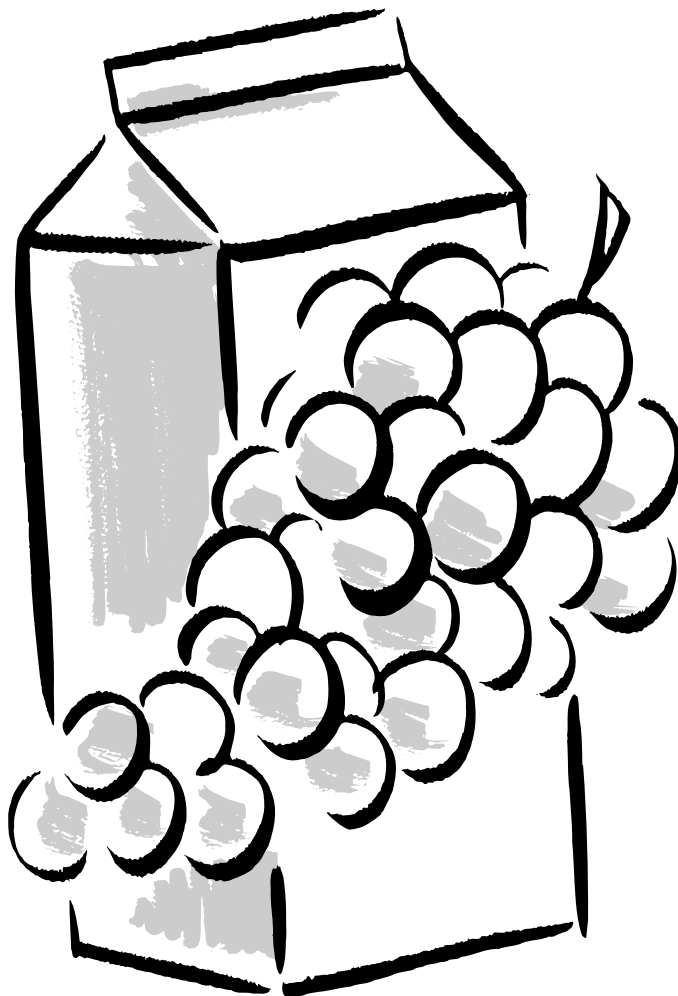


TABLE OF CONTENTS

WINE CELLAR SAFETY	2
Proper Disposal of Your Old Wine Cellar	3
INSTALLATION REQUIREMENTS	3
Tools and Parts	3
Custom Overlay Frame	3
Location Requirements	5
Electrical Requirements	5
Unpack the Wine Cellar	5
Install Custom Overlay Frame	5
Door Closing	8
Base Grille	8
WINE CELLAR USE	8
Normal Sounds	8
Using the Control	8
Wine Racks	9
Stocking the Wine Cellar	9
Lighting the Wine Cellar	9
WINE CELLAR CARE	9
Cleaning	9
Changing the Light Bulb	10
Vacation and Moving Care	10
TROUBLESHOOTING	10
ASSISTANCE OR SERVICE	11
In the U.S.A.	11
In Canada	11
Accessories	12
WARRANTY	12

TABLE DES MATIÈRES

SÉCURITÉ DE LA CAVE À VIN	13
Mise au rebut de votre vieille cave à vin	13
EXIGENCES D'INSTALLATION	14
Outillage et pièces	14
Cadre décoratif personnalisé	14
Emplacement d'installation	15
Spécifications électriques	16
Déballage de la cave à vin	16
Installation du cadre décoratif personnalisé	16
Fermeture de la porte	19
Grille de la base	19
UTILISATION DE LA CAVE À VIN	19
Sons normaux	19
Utilisation de la commande	20
Casiers à vin	20
Stockage dans la cave à vin	20
Éclairage de la caisse	20
ENTRETIEN DE LA CAVE À VIN	21
Nettoyage	21
Changement de l'ampoule d'éclairage	21
Précautions à prendre pour les vacances et avant un déménagement	21
DÉPANNAGE	22
ASSISTANCE OU SERVICE	23
Aux États-Unis	23
Au Canada	23
Accessoires	23
GARANTIE	24

WINE CELLAR SAFETY

Your safety and the safety of others are very important.

We have provided many important safety messages in this manual and on your appliance. Always read and obey all safety messages.



This is the safety alert symbol.

This symbol alerts you to potential hazards that can kill or hurt you and others.

All safety messages will follow the safety alert symbol and either the word "DANGER" or "WARNING."

These words mean:

⚠ DANGER

You can be killed or seriously injured if you don't immediately follow instructions.

⚠ WARNING

You can be killed or seriously injured if you don't follow instructions.

All safety messages will tell you what the potential hazard is, tell you how to reduce the chance of injury, and tell you what can happen if the instructions are not followed.

IMPORTANT SAFETY INSTRUCTIONS

WARNING: To reduce the risk of fire, electric shock, or injury when using your wine cellar, follow these basic precautions:

- Plug into a grounded 3 prong outlet.
- Do not remove ground prong.
- Do not use an adapter.
- Do not use an extension cord.
- Disconnect power before servicing.
- Replace all parts and panels before operating.
- Remove doors from your old wine cellar.
- Use nonflammable cleaner.
- Keep flammable materials and vapors, such as gasoline, away from wine cellar.
- Use two or more people to move and install wine cellar.

SAVE THESE INSTRUCTIONS

Proper Disposal of Your Old Wine Cellar

WARNING

Suffocation Hazard

Remove door from your old wine cellar.

Failure to do so can result in death or brain damage.

IMPORTANT: Child entrapment and suffocation are not problems of the past. Junked or abandoned wine cellars are still dangerous – even if they will sit for “just a few days.” If you are getting rid of your old wine cellar, please follow these instructions to help prevent accidents.

Before you throw away your old wine cellar:

- Take off the door.
- Leave the racks in place so that children may not easily climb inside.



INSTALLATION REQUIREMENTS

Tools and Parts

TOOLS NEEDED:

Gather the required tools and parts before starting installation. Read and follow the instructions provided with any tools listed here.

- Hand drill or electric drill (properly grounded)
- $\frac{7}{64}$ " Drill bit
- $\frac{5}{16}$ " Drill bit
- Chamfer bit
- #16 Drill bit
- $\frac{7}{64}$ " Allen wrench
- Phillips screwdriver
- Flat-blade screwdriver
- Scissors
- Masking tape
- Tape measure
- Petroleum jelly

PARTS NEEDED:

Custom Overlay Frame—See “Overlay Frame Dimensions.”

Hardware (Optional)

PARTS SUPPLIED:

- Pivot plate (top)
- 8 mm nylon insert (2)
- #6 x 1" Pan-head screws (10)
- #6 x $\frac{1}{2}$ " Flat-head screws (2)
- 0.093 x $\frac{3}{4}$ " x 8 ft foam tape

Custom Overlay Frame

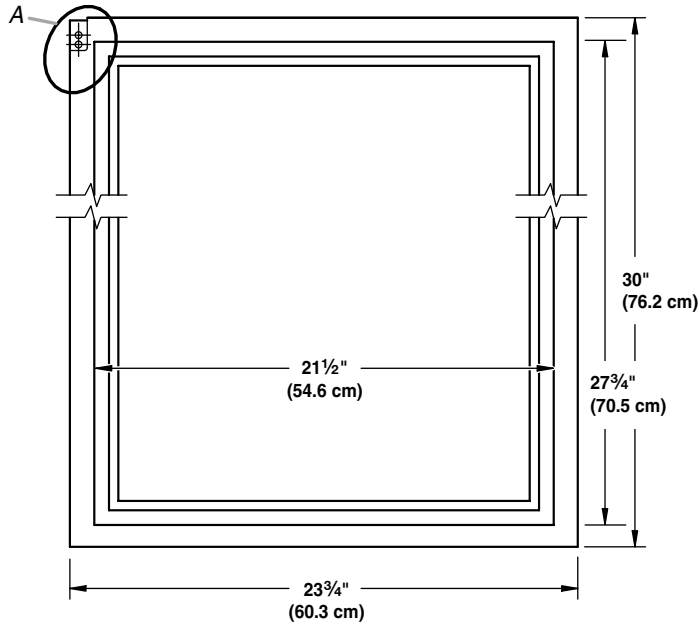
If you plan to install a custom overlay frame, you will need to create the frame yourself or consult a qualified cabinetmaker or carpenter. See “Overlay Frame Dimensions” for frame specifications in creating your overlay frame.

IMPORTANT:

- The thickness of the overlay frame must be $\frac{3}{4}$ " (1.91 cm).
- Overlay frame must not weigh more than 20 lbs. (9.07 kg).
- Overlay frames weighing more than recommended may cause damage to your wine cellar.
- Before creating the custom overlay frame, determine the direction you want the door to swing. Custom overlay frames are hinge specific. A frame that is created for a right-hinge door swing cannot be used for a left-hinge door swing.

Overlay Frame Rear View

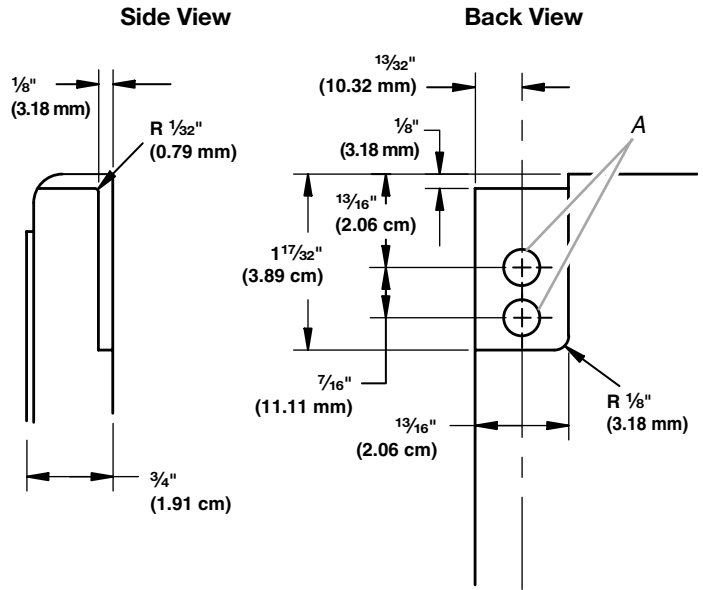
Rear view of overlay frame shows right-hand hinge. Mirror the image for left-hand hinges. See "Pivot Plate Relief" for additional dimensions.



A. Pivot plate relief

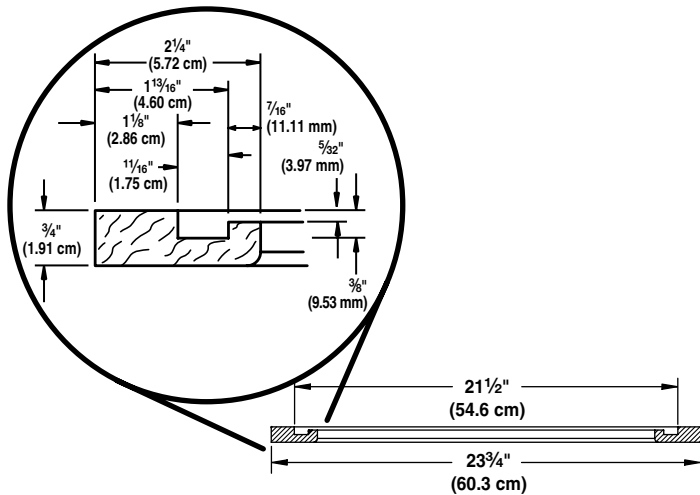
Pivot Plate Relief

1. Route the top and back of the overlay frame to create the pivot plate relief as shown.
2. Drill two screw holes in the back of the pivot plate relief as shown.



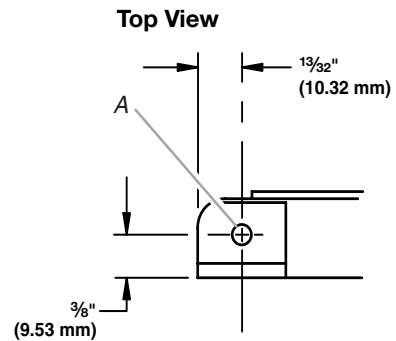
A. $\frac{5}{16}$ " diam. x $\frac{1}{2}$ " deep (7.94 mm x 1.25 cm)

Overlay Frame Top View



Door Hinge Holes

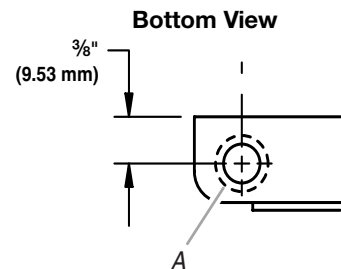
1. Using a #16 drill bit, drill an $1\frac{1}{16}$ " (1.75 cm) deep hole into the top of the overlay frame for the top hinge pin as shown.



A. Top hinge-pin hole

2. Drill a $\frac{5}{16}$ " diam x $\frac{1}{4}$ " deep (7.94 mm x 6.35 mm) hole in the bottom of the overlay frame for the bottom hinge as shown

NOTE: CHAMFER: $\frac{1}{32}$ " (0.79 mm) x 45°.



A. Bottom hinge-pin hole

Location Requirements

⚠ WARNING



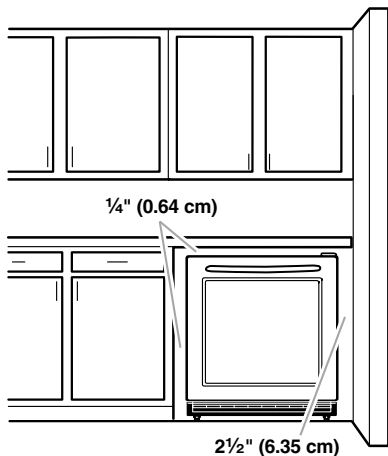
Explosion Hazard

Keep flammable materials and vapors, such as gasoline, away from wine cellar.

Failure to do so can result in death, explosion, or fire.

To ensure proper ventilation for your wine cellar, allow for a 1/4" (0.64 cm) space on each side and at the top. When installing your wine cellar next to a fixed wall, leave 2 1/2" (6.35 cm) minimum clearance on each side to allow for the door to swing open.

NOTE: It is recommended that you do not install the wine cellar near an oven, radiator, or other heat source. Do not install in a location where the temperature will fall below 55°F (13°C). For best performance, do not install the wine cellar behind a cabinet door or block the base grille.



Electrical Requirements

⚠ WARNING



Electrical Shock Hazard

Plug into a grounded 3 prong outlet.

Do not remove ground prong.

Do not use an adapter.

Do not use an extension cord.

Failure to follow these instructions can result in death, fire, or electrical shock.

Before you move your wine cellar into its final location, it is important to make sure you have the proper electrical connection.

Recommended grounding method

A 115 Volt, 60 Hz., AC only 15- or 20-amp fused, grounded electrical supply is required. It is recommended that a separate circuit serving only your wine cellar be provided. Use an outlet that cannot be turned off by a switch. Do not use an extension cord.

NOTE: Before performing any type of installation, cleaning, or removing a light bulb, unplug wine cellar or disconnect power.

Unpack the Wine Cellar

⚠ WARNING

Excessive Weight Hazard

Use two or more people to move and install wine cellar.

Failure to do so can result in back or other injury.

Remove the Packaging

- Remove tape and glue residue from surfaces before turning on the wine cellar. Rub a small amount of liquid dish soap over the adhesive with your fingers. Wipe with warm water and dry.
- Do not use sharp instruments, rubbing alcohol, flammable fluids, or abrasive cleaners to remove tape or glue. These products can damage the surface of your wine cellar. For more information, see "Wine Cellar Safety."
- Properly dispose of packaging.

When Moving Your Wine Cellar:

Your wine cellar is heavy. When moving the wine cellar for cleaning or service, be sure to protect the floor. Always pull the wine cellar straight out when moving it. Do not wiggle or "walk" the wine cellar when trying to move it, as floor damage could occur.

Clean Before Using

After you remove all of the packaging materials, clean the inside of your wine cellar before using it. See the cleaning instructions in "Wine Cellar Care."

Install Custom Overlay Frame

IMPORTANT:

- Create custom overlay frame according to the specifications in the "Custom Overlay Frame" section.
- KitchenAid is not responsible for the removal or addition of molding or decorative frames that would prevent the wine cellar from being serviced.

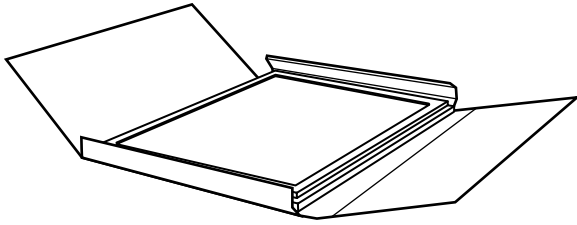
Unpack the Door

1. Remove the wine cellar door from the box.
2. Remove the cardboard and set aside for later use. Be sure to properly dispose of all packaging materials when installation is complete.

NOTE: Place the cardboard on a level floor and use during assembly to protect the wine cellar door and overlay frame from scratches.

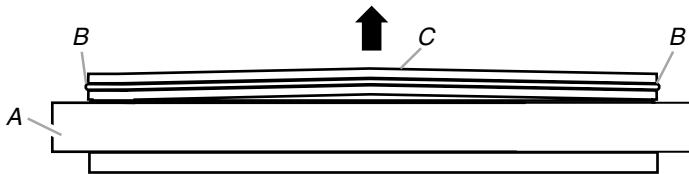
Remove the Gasket

1. Place the wine cellar door on the cardboard with the door gasket facing upward.



2. Remove the door gasket by pulling from the middle and proceeding outward, moving toward the edge.

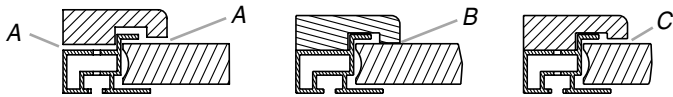
NOTE: To keep the door gasket from tearing, use care when pulling it out of the groove.



A. Door
B. Gasket—outside edges
C. Gasket—middle

Fit Overlay Frame

1. Turn the door over. Fully seat the overlay frame on all four sides.
2. If there is a gap between the overlay frame and door front, apply foam tape to the overlay frame. See “Apply Foam Tape.”



A. Not fully seated B. Little or no gap C. Objectionable gap

NOTE: If the overlay frame does not fit securely on all four sides, review the instructions for “Overlay Frame Dimensions.”

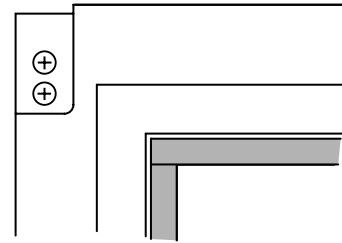
Apply Foam Tape (if required)

IMPORTANT:

- Trim each piece of tape after applying it to the overlay frame.
- Do not allow any overlapping of the foam tape. Damage to the overlay frame can occur if the foam tape is not trimmed and fitted correctly.

1. Cut the foam tape into four pieces: two the width of and two the height of the overlay frame.

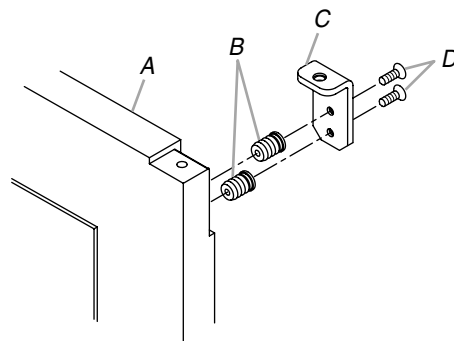
2. Remove the adhesive protection-strip from one piece of the cut foam tape. Align the edge of the foam tape with the inside edge of the overlay frame, and adhere tape to the overlay. Repeat Step 2 for all four sides.



A. Inside edge

Attach the Pivot Plate

1. Tap the nylon inserts into the two holes in the overlay frame.
2. Use two #6 screws to attach the pivot plate to the top of the overlay frame.



A. Overlay frame
B. 8 mm nylon inserts

C. Pivot plate
D. #6 x 5/8" flat-head screws

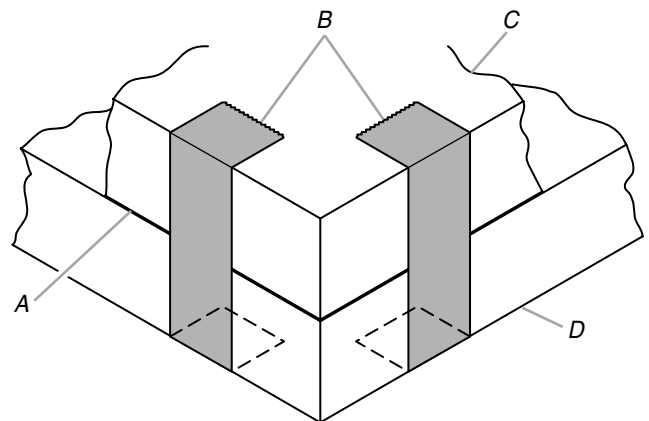
3. If required, attach optional cabinet handle to the overlay frame.

NOTE: If an optional cabinet handle is installed, be sure to countersink the mounting screws.

Attach the Overlay Frame to the Door

1. Secure the front of the door to the back of the overlay frame with masking tape.

NOTE: Ensure that all four edges are properly aligned.



A. Back of overlay frame
B. Masking tape

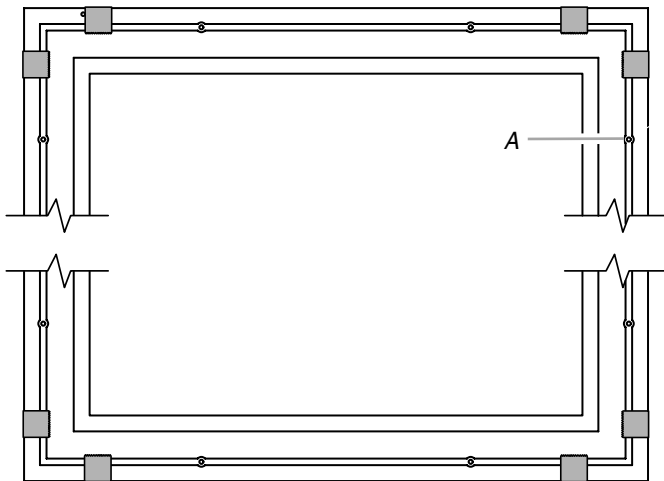
C. Door frame
D. Front of overlay frame

- Place the door and overlay frame face down on the cardboard.
- Use the holes in the door frame as guides and drill pilot holes for the screws that will attach the overlay frame to the door.

IMPORTANT:

- Do not use a drill bit larger than $\frac{7}{64}$ ".
- Do not drill deeper than $\frac{3}{8}$ " (9.53 mm).
- For correct door operation, align the overlay frame and door frame properly.

- Using ten of the #6 x 1" pan-head screws attach the door to the overlay frame.



A. #6 x 1" pan-head screws (10)

- Remove the masking tape holding the overlay frame to the door frame.

Reinstall the Gasket

- Starting at the corners and working toward the center of each side of the door, push the door gasket back into place.
- Be sure the door gasket is fully installed on all four sides of the door.

Install the Door

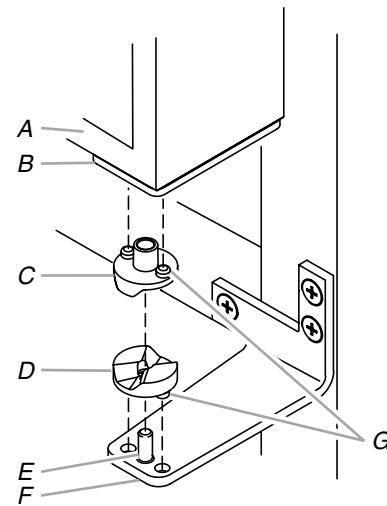
IMPORTANT: To ensure proper operation, the pivot posts must be clean and the closers must be clean and greased with petroleum jelly.

- Remove the door closer-top and door closer-bottom from the bottom hinge. Clean thoroughly and apply petroleum jelly to the mating surfaces of the closers.
- Install the door closer-bottom and door closer-top on the bottom hinge.

IMPORTANT:

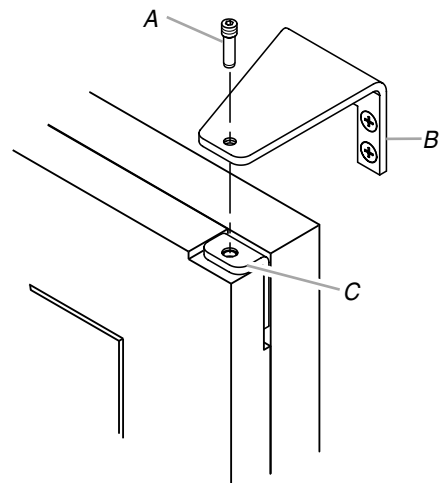
- Be sure to properly align the door closer-bottom bosses with the holes in the bottom hinge.
- Be sure to properly align the door closer-top bosses with the holes in the hinge plate.

- Position the door onto the door closer assembly.



A. Door frame
 B. Pivot plate
 C. Door closer-top
 D. Door closer-bottom
 E. Pivot post
 F. Bottom hinge
 G. Bosses

- Position the door frame and install the pivot post on the top hinge. Using a $\frac{7}{64}$ " Allen wrench, secure the pivot post.



A. Pivot post
 B. Top hinge
 C. Top pivot plate

- Adjust the door frame as needed for proper closure. See "Door Closing."

Door Closing

Door Closing

Your wine cellar has four leveling legs. If your wine cellar seems unsteady or you want the door to close more easily, adjust the wine cellar's tilt using the instructions below.

⚠ WARNING



Electrical Shock Hazard

Plug into a grounded 3 prong outlet.

Do not remove ground prong.

Do not use an adapter.

Do not use an extension cord.

Failure to follow these instructions can result in death, fire, or electrical shock.

1. Plug into a grounded 3 prong outlet.

⚠ WARNING

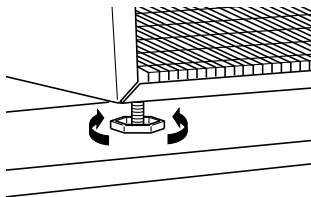
Excessive Weight Hazard

Use two or more people to move and install wine cellar.

Failure to do so can result in back or other injury.

2. Move the wine cellar into its final location.
3. Turn the leveling legs to the right to lower the wine cellar or turn the leveling legs to the left to raise it. It may take several turns of the leveling legs to adjust the tilt of the wine cellar.

NOTE: Having someone push against the top of the wine cellar takes some weight off the leveling legs. This makes it easier to adjust the leveling legs.



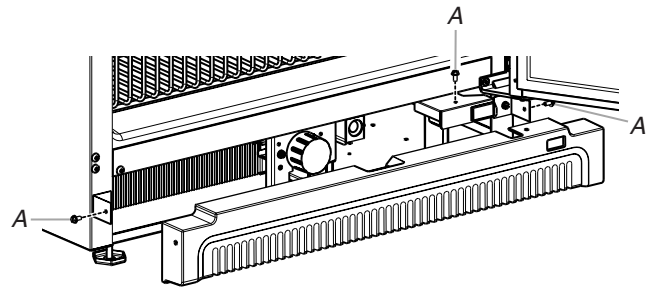
4. Open the door and check to make sure that it closes as easily as you like. If not, tilt the wine cellar slightly more to the rear by turning both front leveling screws to the right. It may take several more turns, and you should turn both leveling legs the same amount.

Base Grille

Remove the Base Grille:

1. Open the wine cellar door.
2. Using a Phillips screwdriver, remove the three screws attaching the base grille to the wine cellar.

3. Pull the base grille toward you.



A. Screws

Replace the Base Grille:

1. Open the wine cellar door.
2. Position the base grille so that the holes are aligned and replace the three screws.

WINE CELLAR USE

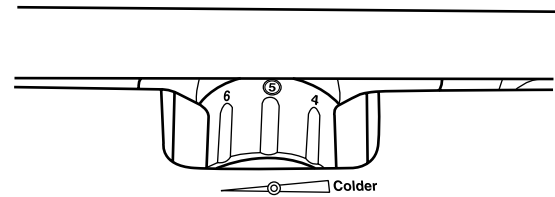
Normal Sounds

Your new wine cellar may make sounds that your old one didn't make. Because the sounds are new to you, you might be concerned about them. Most of the new sounds are normal. Hard surfaces, such as the flooring and surrounding structures, can make the sounds seem louder. The following describes the kinds of sounds and what may be making them.

- Your wine cellar is designed to run more efficiently to keep your food items at the desired temperatures and to minimize energy usage. The high efficiency compressor and fans may cause your wine cellar to run longer than your old one. You may also hear a pulsating or high-pitched sound from the compressor or fans adjusting to optimize performance.
- Rattling noises may come from the flow of refrigerant or items stored inside the wine cellar.
- As each cycle ends, you may hear a gurgling sound due to the refrigerant flowing in your wine cellar.
- You may hear water running into the drain pan when the wine cellar is defrosting.
- You may hear clicking sounds when the wine cellar starts or stops running.

Using the Control

For your convenience, your wine cellar control is preset at the factory. When you first install your wine cellar, make sure that the control is still preset to the mid-setting as shown.



Adjusting Controls

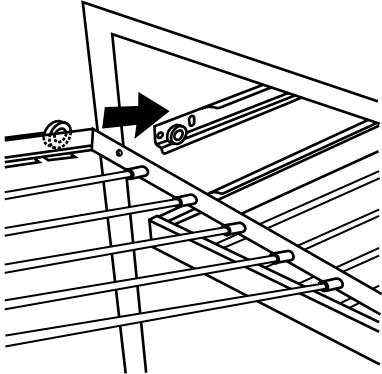
The mid-setting indicated in the previous section should be correct for normal usage. The control is set correctly when beverages are as cold as you like.

If you need to adjust the temperature, wait at least 24 hours between adjustments and then recheck the temperature. To make the wine cellar colder, adjust the control to the next higher setting. To make the wine cellar less cold, adjust the control to the next lower setting.

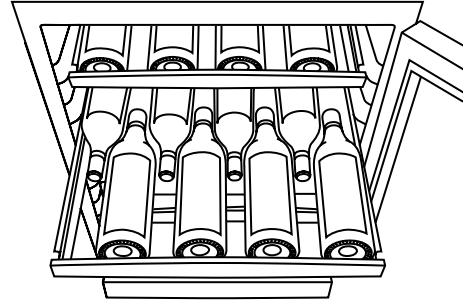
Wine Racks

To Remove and Replace the Wine Racks

1. Pull the wine rack forward, lifting it up and out of the rack supports.
2. Replace the rack by inserting the rack into the supports and sliding it toward the rear of the wine cellar.



4. Alternate in this manner until the display rack is full.
5. Pull the next rack forward.
6. Starting on the left-hand side, place the first bottle on the rack with the neck of the bottle facing forward.
7. Place the next bottle on the shelf with the neck of the bottle facing the rear of the wine cellar.



8. Continue alternating in this manner until the rack is full.
9. Slide the rack into place and continue stocking each remaining rack as described above.

Lighting the Wine Cellar

The wine cellar has an interior light that comes on any time the door is opened. You may also turn the light on at any time by opening the door and pressing the exterior switch located beside the temperature control knob on the base grille.

NOTE: Leaving the light on for an extended period of time will slightly increase the temperature of the wine cellar.

Wood Trim

IMPORTANT: To prevent permanent damage to the inner liner of your wine cellar, the wine rack wood trim must be removed from the unit for staining or finishing. Allow the stain or finish to dry thoroughly for a minimum of 24 hours or in accordance with the manufacturers directions whichever is longer, prior to reinstalling the racks. Failure to do so may cause the inner liner to have a permanent odor which is not covered under the warranty.

Your wine cellar has a natural wood trim on the wine racks. The wood trim is coated with a clear vinyl sealer that will adequately protect the wood in normal usage. You may choose to stain the wood trim or to apply a clear finish coat. If you opt to stain or coat the wood trim, remove the racks from the wine cellar before staining. Allow the racks to dry for a minimum of 24 hours or in accordance with the manufacturers directions, whichever is longer, before returning them to the wine cellar.

WINE CELLAR CARE

Cleaning

WARNING



Explosion Hazard

Use nonflammable cleaner.

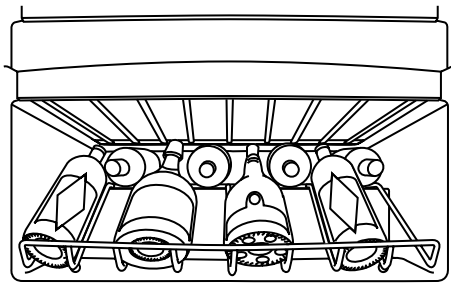
Failure to do so can result in death, explosion, or fire.

Stocking the Wine Cellar

NOTE: For optimum wine storage, place red wines at the top of the wine cellar, white wines in the center and sparkling wines at the bottom.

To Stock the Wine Cellar

1. Start stocking the wine cellar with the bottom display rack.
2. Starting on the left-hand side, place the first bottle on the bottom of the rack with the neck of the bottle facing the back of the wine cellar.
3. Place the next bottle on its side with the neck of the bottle facing the front of the wine cellar.



Clean the wine cellar about once a month to prevent odors from building up. Wipe up spills immediately.

To clean your wine cellar:

1. Unplug wine cellar or disconnect power.
2. Remove all racks from inside the wine cellar.
3. Hand wash, rinse, and dry removable parts and interior surfaces thoroughly. Use a clean sponge or soft cloth and a mild detergent in warm water.
 - Do not use abrasive or harsh cleaners such as window sprays, scouring cleansers, flammable fluids, cleaning waxes, concentrated detergents, bleaches or cleansers containing petroleum products on plastic parts, interior and door liners or gaskets. Do not use paper towels, scouring pads, or other harsh cleaning tools. These can scratch or damage materials.

- To help remove odors, you can wash interior walls with a mixture of warm water and baking soda (2 tbs to 1 qt [26 g to 0.95 L] of water).
4. Wash exterior with a clean sponge or soft cloth and a mild detergent in warm water. Do not use abrasive or harsh cleaners. Dry thoroughly with a soft cloth.
 - To keep your stainless steel wine cellar looking like new and to remove minor scuffs or marks, it is suggested that you use the manufacturer's approved Stainless Steel Cleaner & Polish. To order the cleaner, see the "Accessories" section.
- IMPORTANT:** This cleaner is for stainless steel parts only!
- Do not allow the Stainless Steel Cleaner & Polish to come into contact with any plastic parts such as the trim pieces or door gaskets. If accidental contact does occur, clean plastic part with a sponge and mild detergent in warm water. Dry thoroughly with a soft cloth.
5. Replace the racks.
 6. Clean the condenser coils regularly. They are located behind the base grille. Coils may need to be cleaned as often as every other month. This may help save energy.
 - Remove the base grille. See "Base Grille."
 - Use a vacuum cleaner with an extended attachment to clean the condenser coils when they are dusty or dirty.
 - Replace the base grille.
 7. Plug in wine cellar or reconnect power.

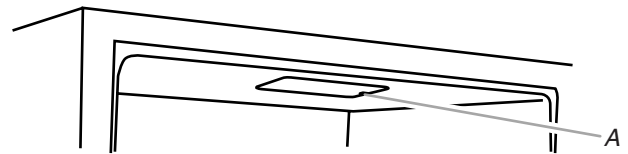
Changing the Light Bulb

NOTE: Not all appliance bulbs will fit your wine cellar. Be sure to replace the bulb with one of the same size, shape, and wattage.

To change the light bulb:

1. Unplug wine cellar or disconnect power.
2. Slide the light shield toward the tab.
3. Press the tab down and lift the opposite end of the light shield up.
4. Replace the bulb.

5. Reinstall the light shield by inserting the tab end first. Then lower the light shield until it clicks into place.



A. Tab

6. Plug in wine cellar or reconnect power.

Vacation and Moving Care

Vacations

If you choose to turn the wine cellar off before you leave, follow these steps.

1. Remove all wine bottles from the wine cellar.
2. Unplug the wine cellar.
3. Clean the wine cellar. See "Cleaning."
4. Tape a rubber or wood block to the top of the door to prop it open far enough for air to get in. This stops odor and mold from building up.

Moving

When you are moving your wine cellar to a new home, follow these steps to prepare it for the move.

1. Remove all wine bottles from the wine cellar.
2. Unplug the wine cellar.
3. Clean, wipe, and dry it thoroughly.
4. Take out all removable parts, wrap them well, and tape them together so they don't shift and rattle during the move.
5. Tape the doors shut and tape the power cord to the wine cellar.

When you get to your new home, put everything back and refer to the "Installation Instructions" section for preparation instructions.

TROUBLESHOOTING

Try the solutions suggested here first in order to avoid the cost of an unnecessary service call.

Your wine cellar will not operate

- **Is the power supply cord unplugged?** Plug into a grounded 3 prong outlet.
- **Has a household fuse blown, or has a circuit breaker tripped?** Replace the fuse or reset the circuit.
- **Is the Wine Cellar Control turned to the OFF position?** See "Using the Control."

The lights do not work

- **Is the power supply cord unplugged?** Plug into a grounded 3 prong outlet.
- **Is a light bulb loose in the socket?** Unplug wine cellar or disconnect power. Gently remove the bulb and reinsert. Plug in wine cellar or reconnect power.

- **Has a light bulb burned out?** Replace with an appliance bulb of the same wattage, size, and shape. See "Changing the Light Bulb."

There is water in the defrost drain pan

- **Is the wine cellar defrosting?** The water will evaporate. It is normal for water to drip into the defrost pan.
- **Is it more humid than normal?** Expect that the water in the defrost pan will take longer to evaporate. This is normal when it is hot or humid.

The motor seems to run too much

- **Is the temperature outside hotter than normal?** Expect the motor to run longer under warm conditions. At normal temperatures, expect your motor to run about 40% to 80% of the time. Under warmer conditions, expect it to run even more of the time.

- **Is the door opened often?** Expect the motor to run longer when this occurs. In order to conserve energy, try to get everything you need out of the wine cellar at once, keep wine bottles positioned label side up so that they are easy to find, and close the door as soon as the wine is removed.
- **Is the control set correctly for the surrounding conditions?** See “Using the Control.”
- **Is the door closed completely?** Push the door firmly shut. If it will not shut all the way, see “The door will not close completely” later in this section.
- **Are the condenser coils dirty?** This prevents air transfer and makes the motor work harder. Clean the condenser coils. See “Cleaning.”

Temperature is too warm

- **Is the door opened often?** Be aware that the wine cellar will warm when this occurs. In order to keep the wine cellar cool, try to get everything you need out of the wine cellar at once, keep wine bottles positioned label side up so that they are easy to find, and close the door as soon as the wine is removed.
- **Is the control set correctly for the surrounding conditions?** See “Using the Control.”
- **Is the base grille blocked?** For best performance, do not install the wine cellar behind a cabinet door or block the base grille.

There is interior moisture buildup

- **Is the door opened often?** To avoid humidity buildup, try to get everything you need out of the wine cellar at once, keep wine bottles positioned label side up so that they are easy to find, and close the door as soon as the wine is removed. When the door is opened, humidity from the room air enters the wine cellar. The more often the door is opened, the faster humidity builds up, especially when the room itself is very humid.
- **Is it humid?** It is normal for moisture to build up inside the wine cellar when the air is humid.
- **Is the control set correctly for the surrounding conditions?** See “Using the Control.”

The door is difficult to open

- **Is the gasket dirty or sticky?** Clean the gasket and the surface that it touches. Rub a thin coat of paraffin wax on the gasket following cleaning.

The door will not close completely

- **Are the racks out of position?** Put the racks back into their correct positions. See “Wine Cellar Use” for more information.
- **Is the gasket sticking?** Clean the gasket and the surface that it touches. Rub a thin coat of paraffin wax on the gasket following cleaning.

ASSISTANCE OR SERVICE

Before calling for assistance or service, please check “Troubleshooting.” It may save you the cost of a service call. If you still need help, follow the instructions below.

When calling, please know the purchase date and the complete model and serial number of your appliance. This information will help us to better respond to your request.

If you need replacement parts

If you need to order replacement parts, we recommend that you only use factory specified replacement parts. Factory specified replacement parts will fit right and work right because they are made with the same precision used to build every new KITCHENAID® appliance.

To locate factory specified replacement parts in your area, call us or your nearest designated service center.

In the U.S.A.

Call the KitchenAid Customer eXperience Center toll free: **1-800-422-1230**.

Our consultants provide assistance with:

- Features and specifications on our full line of appliances.
- Installation information.
- Use and maintenance procedures.
- Accessory and repair parts sales.
- Specialized customer assistance (Spanish speaking, hearing impaired, limited vision, etc.).
- Referrals to local dealers, repair parts distributors, and service companies. KitchenAid designated service technicians are trained to fulfill the product warranty and provide after-warranty service, anywhere in the United States.

To locate the KitchenAid designated service company in your area, you can also look in your telephone directory Yellow Pages.

For further assistance

If you need further assistance, you can write to KitchenAid with any questions or concerns at:

KitchenAid Brand Home Appliances
Customer eXperience Center
553 Benson Road
Benton Harbor, MI 49022-2692

Please include a daytime phone number in your correspondence.

In Canada

Call the KitchenAid Canada Customer Interaction Centre toll free: **1-800-461-5681** Monday to Friday 8:00 a.m. - 6:00 p.m. (EST). Saturday 8:30 a.m. - 4:30 p.m. (EST).

Our consultants provide assistance with:

- Features and specifications on our full line of appliances.
- Referrals to local dealers.

For service in Canada

Call **1-800-807-6777**. KitchenAid Canada designated service technicians are trained to fulfill the product warranty and provide after-warranty service, anywhere in Canada.

For further assistance

If you need further assistance, you can write to KitchenAid Canada with any questions or concerns at:

KitchenAid Canada
Customer Interaction Centre
1901 Minnesota Court
Mississauga, Ontario L5N 3A7

Please include a daytime phone number in your correspondence.

Accessories

To order accessories, call **1-800-442-9991** and ask for the appropriate part number listed below or contact your authorized KitchenAid dealer. In Canada, call **1-800-807-6777**.

Stainless Steel Cleaner & Polish
Order Part #4396095

KITCHENAID® WINE CELLAR WARRANTY

ONE-YEAR FULL WARRANTY ON WINE CELLAR

For one year from the date of purchase, when this wine cellar is operated and maintained according to instructions attached to or furnished with the product, KitchenAid will pay for factory specified replacement parts and repair labor costs to correct defects in materials or workmanship. Service must be provided by a KitchenAid designated service company.

SECOND THROUGH FIFTH YEAR FULL WARRANTY ON CAVITY LINER AND SEALED REFRIGERATION SYSTEM PARTS AS LISTED

In the second through fifth years from the date of purchase, when this wine cellar is operated and maintained according to instructions attached to or furnished with the product, KitchenAid will pay for replacement or repair of the wine cellar/freezer cavity liner (including labor costs) if the part cracks due to defective materials or workmanship. Service must be provided by a KitchenAid designated service company.

Also, in the second through fifth years from the date of purchase, KitchenAid will pay for factory specified replacement parts and repair labor costs to correct defects in materials or workmanship in the sealed refrigeration system. These parts are: compressor, evaporator, condenser, dryer, and connecting tubing. Service must be performed by a KitchenAid designated service company.

KitchenAid or KitchenAid Canada will not pay for:

1. Service calls to correct the installation of your wine cellar, to instruct you how to use your wine cellar, to replace house fuses or correct house wiring or plumbing, to replace light bulbs, or replacement water filters other than as noted above.
2. Repairs when your wine cellar is used in other than normal, single-family household use.
3. Pickup and delivery. Your wine cellar is designed to be repaired in the home.
4. Damage resulting from accident, alteration, misuse, abuse, fire, flood, improper installation, acts of God, or use of products not approved by KitchenAid or KitchenAid Canada.
5. Any food loss due to product failure.
6. Repairs to parts or systems resulting from unauthorized modifications made to the appliance.
7. Replacement parts or repair labor costs for units operated outside the United States or Canada.
8. In Canada, travel or transportation expenses for customers who reside in remote areas.

KITCHENAID OR KITCHENAID CANADA SHALL NOT BE LIABLE FOR INCIDENTAL OR CONSEQUENTIAL DAMAGES.

Some states or provinces do not allow the exclusion or limitation of incidental or consequential damages, so this exclusion or limitation may not apply to you. This warranty gives you specific legal rights, and you may also have other rights which vary from state to state or province to province.

Outside the 50 United States and Canada, this warranty does not apply. Contact your authorized KitchenAid dealer to determine if another warranty applies.

If you need service, first see the "Troubleshooting" section of this book. After checking "Troubleshooting," additional help can be found by checking the "Assistance or Service" section or by calling the KitchenAid Customer eXperience Center, **1-800-422-1230** (toll-free), from anywhere in the U.S.A. In Canada, contact your designated KitchenAid Canada service company or call **1-800-807-6777**. 10/04

Keep this book and your sales slip together for future reference. You must provide proof of purchase or installation date for in-warranty service.

Write down the following information about your wine cellar to better help you obtain assistance or service if you ever need it. You will need to know your complete model number and serial number. You can find this information on the model and serial number label located on the inside wall of the wine cellar compartment.

Dealer name _____
Address _____
Phone number _____
Model number _____
Serial number _____
Purchase date _____

SÉCURITÉ DE LA CAVE À VIN

Votre sécurité et celle des autres est très importante.

Nous donnons de nombreux messages de sécurité importants dans ce manuel et sur votre appareil ménager. Assurez-vous de toujours lire tous les messages de sécurité et de vous y conformer.



Voici le symbole d'alerte de sécurité.

Ce symbole d'alerte de sécurité vous signale les dangers potentiels de décès et de blessures graves à vous et à d'autres.

Tous les messages de sécurité suivront le symbole d'alerte de sécurité et le mot "DANGER" ou "AVERTISSEMENT". Ces mots signifient :

⚠ DANGER

Risque possible de décès ou de blessure grave si vous ne suivez pas immédiatement les instructions.

⚠ AVERTISSEMENT

Risque possible de décès ou de blessure grave si vous ne suivez pas les instructions.

Tous les messages de sécurité vous diront quel est le danger potentiel et vous disent comment réduire le risque de blessure et ce qui peut se produire en cas de non-respect des instructions.

IMPORTANTES INSTRUCTIONS DE SÉCURITÉ

AVERTISSEMENT : Pour réduire les risques d'incendie, de choc électrique ou des blessures lors de l'utilisation de la cave à vin, prendre quelques précautions fondamentales, y compris les suivantes :

- Brancher l'appareil sur une prise à 3 alvéoles reliée à la terre.
- Ne pas enlever la broche de liaison à la terre.
- Ne pas utiliser un adaptateur.
- Ne pas utiliser un câble de rallonge.
- Débrancher la source de courant électrique avant l'entretien.
- Replacer pièces et panneaux avant de faire la remise en marche.
- Enlever les portes de votre vieille cave à vin.
- Utiliser un produit de nettoyage ininflammable.
- Garder les matériaux et les vapeurs inflammables, telle que l'essence, loin de la cave à vin.
- Utiliser deux ou plus de personnes pour déplacer et installer la cave à vin.

CONSERVEZ CES INSTRUCTIONS

Mise au rebut de votre vieille cave à vin

⚠ AVERTISSEMENT

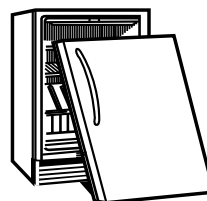
Risque de suffoquer

Enlever la porte de votre vieille cave à vin.

Le non-respect de cette instruction peut causer un décès ou des lésions cérébrales.

Avant de jeter votre vieille cave à vin :

- Enlever la porte.
- Laisser les tablettes en place de sorte que les enfants ne puissent pas y pénétrer facilement.



IMPORTANT : L'emprisonnement et l'étouffement des enfants ne sont pas un problème du passé. Les caves à vin jetées ou abandonnées sont encore dangereuses, même si elles sont laissées abandonnées pendant "quelques jours seulement". Si vous vous débarrassez de votre vieille cave à vin, veuillez suivre les instructions suivantes pour aider à éviter les accidents.

EXIGENCES D'INSTALLATION

Outillage et pièces

OUTILLAGE NÉCESSAIRE :

Rassembler les outils et pièces nécessaires avant de commencer l'installation.

Lire et suivre les instructions fournies avec les outils indiqués ici.

- | | |
|---|-----------------------------|
| ■ Perceuse manuelle ou électrique (liaison à la terre correcte) | ■ Tournevis Phillips |
| ■ Foret de $\frac{7}{64}$ " | ■ Tournevis à lame plate |
| ■ Foret de $\frac{5}{16}$ " | ■ Ciseaux |
| ■ Fer à chanfrein | ■ Ruban adhésif de masquage |
| ■ Foret n° 16 | ■ Mètre-ruban |
| ■ Clé Allen $\frac{7}{64}$ " | ■ Vaseline |

PIÈCES NÉCESSAIRES :

Cadre décoratif personnalisé—Voir "Dimensions du cadre décoratif".

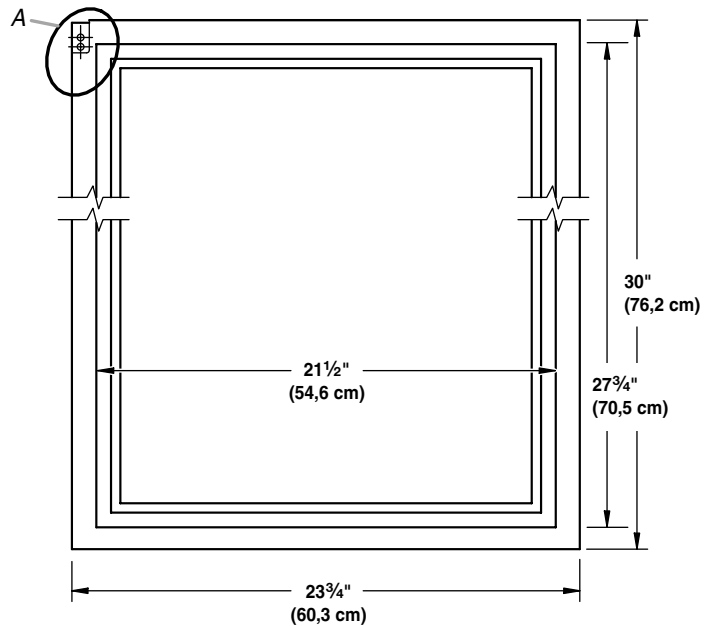
Quincaillerie (Option)

PIÈCES FOURNIES :

- | | |
|----------------------------------|--|
| ■ Plaque de pivot supérieure | ■ Vis n° 6 x $\frac{1}{2}$ " tête plate (2) |
| ■ Cheville de nylon 8 mm (2) | ■ Ruban adhésif de mousse 0,093 x $\frac{3}{4}$ " x 8 pi |
| ■ Vis n° 6 x 1" tête bombée (10) | |

Cadre décoratif - Vue arrière

La vue arrière du cadre décoratif présente une charnière pour ouverture à droite. La configuration est symétrique pour l'ouverture à gauche. Pour les autres dimensions, voir "Feuilleure pour plaque de pivot".



A. Feuillure pour plaque de pivot

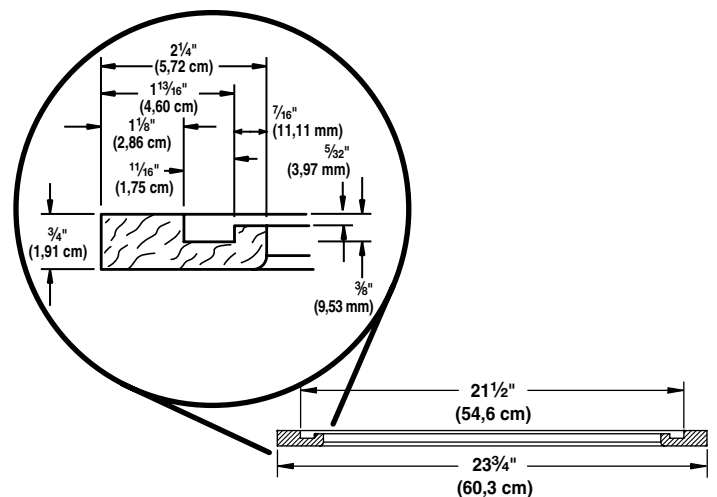
Cadre décoratif personnalisé

Pour l'installation d'un cadre décoratif personnalisé, l'installateur devra créer lui-même le cadre ou le faire réaliser par un ébéniste qualifié. Pour les spécifications du cadre, voir "Dimensions du cadre décoratif".

IMPORTANT :

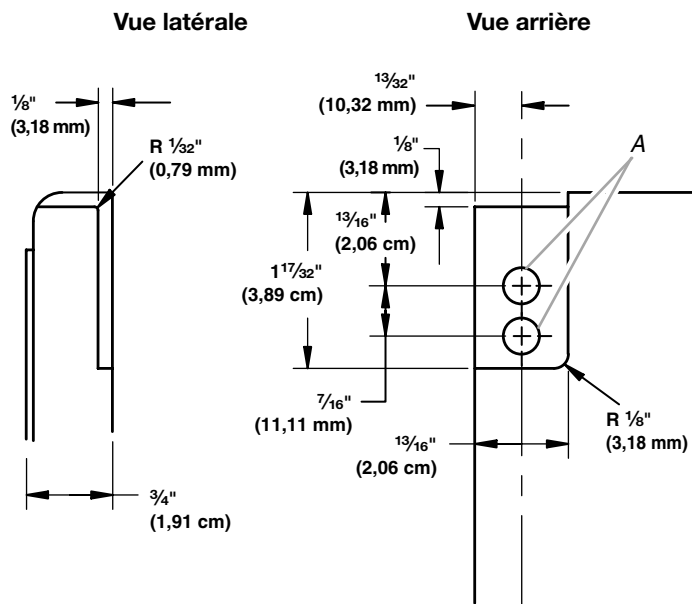
- L'épaisseur du cadre décoratif doit être $\frac{3}{4}$ " (1,91 cm).
- Le poids du cadre décoratif ne doit pas dépasser 20 lb (9,07 kg).
- Un cadre décoratif de poids supérieur à la limite indiquée peut faire subir des dommages à la cave à vin.
- Avant de créer un cadre décoratif personnalisé, déterminer la direction d'ouverture de la porte. Les cadres décoratifs personnalisés ont des charnières spécifiques. Un cadre conçu pour l'utilisation de charnières pour ouverture à droite ne peut recevoir des charnières pour ouverture à gauche.

Cadre décoratif - Vue de dessus



Feuillure pour plaque de pivot

1. Usiner le sommet et l'arrière du cadre décoratif pour créer les feuillures pour la plaque de pivot - voir l'illustration.
2. Percer deux trous de vis à l'arrière de la feuillure qui recevra la plaque de pivot - voir l'illustration.

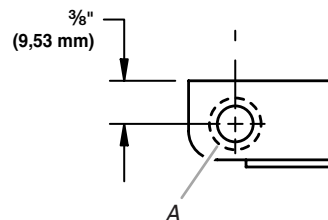


A. diam. $\frac{5}{16}$ " x profondeur $\frac{1}{2}$ " (7,94 mm x 1,25 cm)

2. Percer un trou de diamètre $\frac{5}{16}$ " x profondeur $\frac{1}{4}$ " (7,94 mm x 6,35 mm) dans l'élément inférieur du cadre décoratif, pour la charnière inférieure - voir l'illustration.

REMARQUE : CHANFREIN : $\frac{1}{32}$ " (0,79 mm) x 45°.

Vue de dessous



A. Trou pour broche de la charnière inférieure

Emplacement d'installation

⚠ AVERTISSEMENT



Risque d'explosion

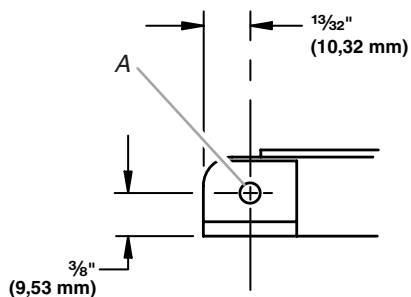
Garder les matériaux et les vapeurs inflammables, telle que l'essence, loin de la cave à vin.

Le non-respect de cette instruction peut causer un décès, une explosion ou un incendie.

Trous pour charnière de porte

1. Avec un foret n° 16, percer un trou profond de $1\frac{1}{16}$ " (1,75 cm) dans le sommet du cadre décoratif, pour la broche de la charnière supérieure - voir l'illustration.

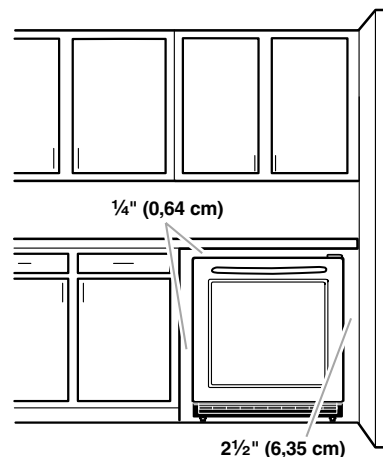
Vue de dessus



A. Trou pour broche de la charnière supérieure

Pour obtenir une aération appropriée pour votre cave à vin, laissez un espace de $\frac{1}{4}$ " (0,64 cm) de chaque côté et au sommet. Si vous installez votre cave à vin près d'un mur fixe, laissez un espace minimum de $2\frac{1}{2}$ " (6,35 cm) de chaque côté pour permettre à la porte de s'ouvrir sans obstruction.

REMARQUE : Il est recommandé de ne pas installer la cave à vin près d'un four, d'un radiateur ou de toute autre source de chaleur. Ne pas installer le réfrigérateur dans un endroit où la température baissera au-dessous de 55°F (13°C). Pour le meilleur rendement, ne pas installer la cave à vin derrière une porte d'armoire ni bloquer la grille de la base.



Spécifications électriques

⚠ AVERTISSEMENT



Risque de choc électrique

Brancher sur une prise à 3 alvéoles reliée à la terre.

Ne pas enlever la broche de liaison à la terre.

Ne pas utiliser un adaptateur.

Ne pas utiliser un câble de rallonge.

Le non-respect de ces instructions peut causer un décès, un incendie ou un choc électrique.

Avant de placer la cave à vin à son emplacement final, il est important de vous assurer d'avoir la connexion électrique appropriée.

Méthode recommandée de mise à la terre

Une source d'alimentation de 115 volts, 60 Hz, type 15 ou 20 ampères CA seulement, protégée par fusibles et adéquatement mise à la terre est nécessaire. Il est recommandé d'utiliser un circuit distinct pour alimenter uniquement votre cave à vin. Utiliser une prise murale qui ne peut pas être mise hors circuit à l'aide d'un commutateur. Ne pas utiliser un câble de rallonge.

REMARQUE : Avant d'exécuter tout type d'installation, nettoyage ou remplacement d'une ampoule d'éclairage, débrancher le réfrigérateur ou déconnecter la source de courant électrique.

Déballage de la cave à vin

⚠ AVERTISSEMENT

Risque du poids excessif

Utiliser deux ou plus de personnes pour déplacer et installer la cave à vin.

Le non-respect de cette instruction peut causer une blessure au dos ou d'autre blessure.

Enlèvement des matériaux d'emballage

- Enlever le ruban adhésif et la colle des surfaces de la cave à vin avant de la mettre en marche. Frotter une petite quantité de savon liquide pour la vaisselle sur l'adhésif avec les doigts. Rincer à l'eau tiède et essuyer.
- Ne pas utiliser d'instruments coupants, d'alcool à friction, de liquides inflammables ou de nettoyants abrasifs pour enlever le ruban adhésif ou la colle. Ces produits peuvent endommager la surface de votre cave à vin. Pour plus de renseignements, voir "Sécurité de la cave à vin".

- Éliminer les matériaux d'emballage de la manière appropriée.

Déplacement de votre cave à vin :

Votre cave à vin est lourde. Lors du déplacement de la cave à vin pour le nettoyage ou le service, veiller à protéger le plancher. Toujours tirer la cave à vin tout droit lors du déplacement. Ne pas incliner la cave à vin d'un côté ou de l'autre ni la "faire marcher" en essayant de la déplacer car le plancher pourrait être endommagé.

Nettoyage avant l'utilisation

Après avoir enlevé tous les matériaux d'emballage, nettoyer l'intérieur de la cave à vin avant de l'utiliser. Voir les instructions de nettoyage dans "Entretien de la cave à vin".

Installation du cadre décoratif personnalisé

IMPORTANT :

- Créer le cadre décoratif personnalisé selon les spécifications de la section "Cadre décoratif personnalisé".
- KitchenAid n'assume aucune responsabilité pour la dépose ou l'addition de moulures ou de cadres décoratifs qui empêcheraient ou entraveraient une intervention de réparation sur la cave à vin.

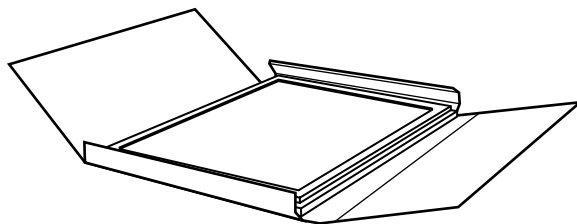
Déballage de la porte

1. Retirer la porte de la cave à vin de son emballage.
2. Enlever le carton; conserver celui-ci pour réutilisation. Veiller à éliminer convenablement tous les matériaux d'emballage après l'installation.

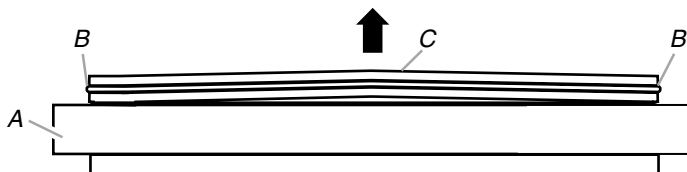
REMARQUE : Placer la feuille de carton sur un sol horizontal pour protéger la porte de la cave à vin et le cadre décoratif contre les risques d'éraflure durant l'assemblage.

Dépose du joint

1. Placer la porte de la cave à vin sur la feuille de carton, joint orienté vers le haut.



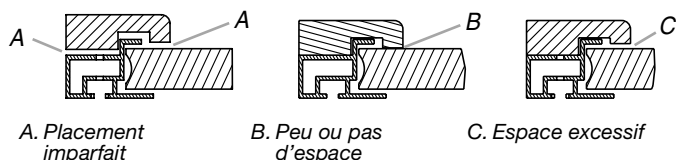
2. Ôter le joint de la porte. Pour éviter de déchirer le joint, tirer doucement pour l'extraire de la porte, en commençant au milieu et en progressant vers les angles.



A. Porte
B. Joint—outside edges
C. Joint—middle

Ajustement du cadre décoratif

1. Retourner la porte. Placer parfaitement le cadre décoratif sur les quatre côtés.
2. S'il y a un espace entre le cadre décoratif et l'avant de la porte, appliquer du ruban adhésif de mousse sur le cadre décoratif. Voir "Application du ruban adhésif de mousse".

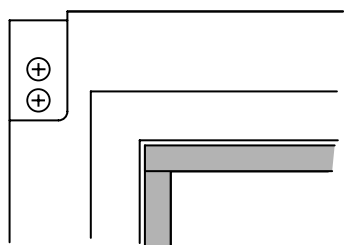


REMARQUE : Si le cadre décoratif ne s'ajuste pas parfaitement sur les quatre côtés, revoir les instructions "Dimensions du cadre décoratif".

Pose du ruban adhésif de mousse (si nécessaire)

IMPORTANT :

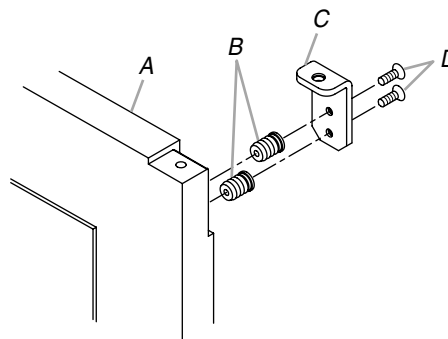
- Tailler chaque morceau de ruban adhésif après l'application sur le cadre décoratif.
 - Ne pas permettre un chevauchement du ruban adhésif de mousse; le cadre décoratif peut subir des dommages si le ruban adhésif de mousse n'est pas parfaitement taillé et ajusté.
1. Couper le ruban adhésif en quatre morceaux : deux morceaux de la largeur et deux morceaux de la hauteur du cadre décoratif.
 2. Enlever la feuille de protection de l'adhésif sur un morceau du ruban adhésif. Aligner le bord du ruban adhésif de mousse avec le bord interne du cadre décoratif; faire adhérer le ruban sur le cadre décoratif. Répéter l'étape 2 pour les quatre côtés.



A. Bord interne

Installation de la plaque de pivot

1. Insérer les chevilles de nylon dans les deux trous du cadre décoratif.
2. Utiliser deux vis n° 6 pour fixer la plaque de pivot au sommet du cadre décoratif.



A. Cadre décoratif C. Plaque de pivot
B. Chevilles de nylon 8 mm D. Vis n° 6 x 5/8", tête plate

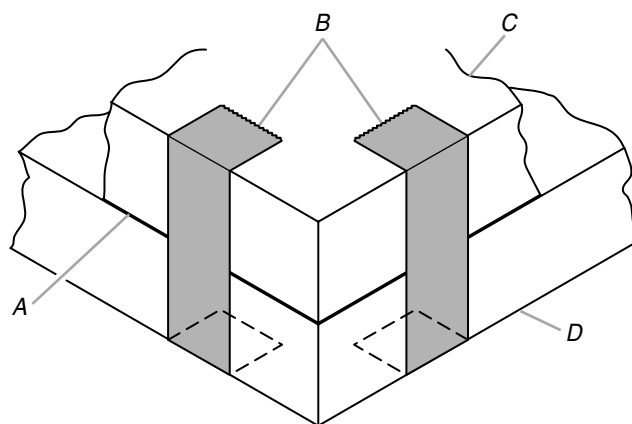
3. Si nécessaire, fixer la poignée (option) sur le cadre décoratif.

REMARQUE : Si on installe une poignée (option), veiller à ce que les têtes de vis soient plus basses que la surface arrière du cadre décoratif.

Fixation du cadre décoratif sur la porte

1. Fixer l'avant de la porte sur l'arrière du cadre décoratif avec du ruban adhésif de masquage.

REMARQUE : Veiller à aligner correctement les quatre bords.



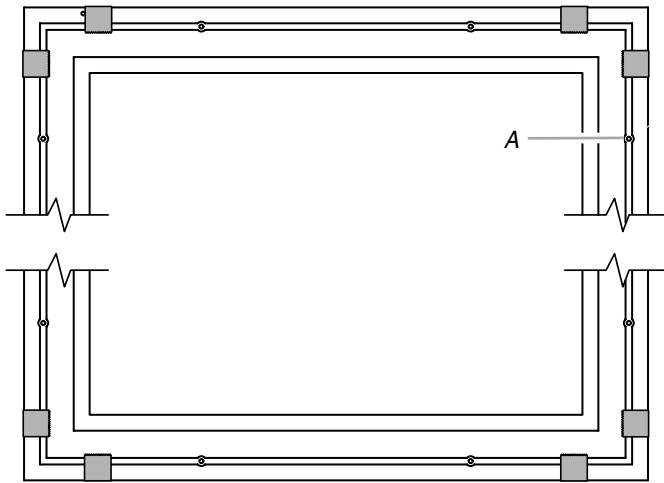
A. Arrière du cadre décoratif C. Châssis de la porte
B. Ruban adhésif de masquage D. Avant du cadre décoratif

2. Placer la porte et le cadre décoratif sur la feuille de carton (face vers le bas).
3. Utiliser les trous du châssis de porte comme guide pour le perçage des avant-trous destinés aux vis qui fixeront le cadre décoratif sur la porte.

IMPORTANT :

- Ne pas utiliser un foret de plus de 7/64".
- Ne pas percer à une profondeur supérieure à 3/8" (9,53 mm).
- Pour obtenir une manoeuvre correcte de la porte, aligner correctement le cadre décoratif et le châssis de porte.

4. Avec dix vis n° 6 x 1" (tête bombée), fixer la porte sur le cadre décoratif.



A. Vis n° 6 x 1", tête bombée (10)

5. Ôter le ruban adhésif de masquage qui assujettissait le cadre décoratif et le châssis de porte.

Réinstallation du joint

- Commencer dans les angles et progresser vers le centre; enfoncer le joint de porte dans la rainure.
- Veiller à ce que le joint de porte soit totalement installé sur les quatre côtés de la porte.

Installation de la porte

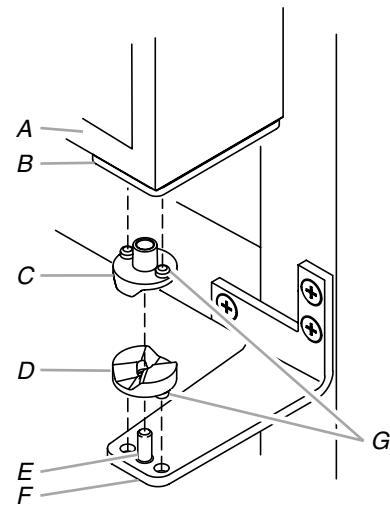
IMPORTANT : Pour garantir un bon fonctionnement, il faut que les chevilles de pivotement soient propres, et que les composants du ferme-porte soient propres et graissés avec de la vaseline.

- Retirer le ferme-porte (parties supérieure et inférieure) de la charnière de porte. Nettoyer parfaitement et appliquer de la vaseline sur les surfaces de contact du ferme-porte.
- Installer le ferme-porte (parties supérieure et inférieure) sur la charnière inférieure.

IMPORTANT :

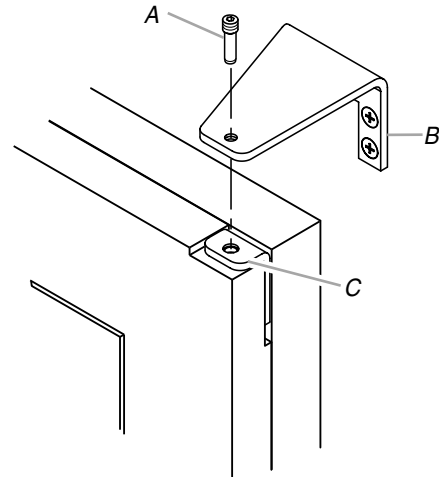
- Veiller à aligner correctement les pitons du ferme-porte inférieur avec les trous de la charnière inférieure.
- Veiller à aligner correctement les pitons du ferme-porte supérieur avec les trous de la plaque de charnière.

3. Positionner la porte sur le ferme-porte.



A. Châssis de porte
 B. Plaque de pivot
 C. Ferme-porte - partie supérieure
 D. Ferme-porte - partie inférieure
 E. Cheville de pivotement
 F. Charnière inférieure
 G. Pitons

4. Positionner le châssis de porte et installer la cheville de pivotement sur la charnière supérieure. Utiliser une clé Allen de 7/64" pour fixer la cheville de pivotement.



A. Cheville de pivotement
 B. Sur la charnière supérieure
 C. Plaque de pivot supérieure

5. Ajuster le châssis de porte selon le besoin pour obtenir une bonne fermeture. Voir "Fermeture de la porte".

Fermeture de la porte

Fermeture de la porte

La cave à vin dispose de quatre pieds de nivellement. Si la cave à vin semble instable ou si vous désirez que la porte se ferme plus facilement, ajuster l'inclinaison de la cave à vin en observant les instructions ci-dessous :

⚠ AVERTISSEMENT



Risque de choc électrique

Brancher sur une prise à 3 alvéoles reliée à la terre.

Ne pas enlever la broche de liaison à la terre.

Ne pas utiliser un adaptateur.

Ne pas utiliser un câble de rallonge.

Le non-respect de ces instructions peut causer un décès, un incendie ou un choc électrique.

1. Brancher l'appareil sur une prise à 3 alvéoles reliée à la terre.

⚠ AVERTISSEMENT

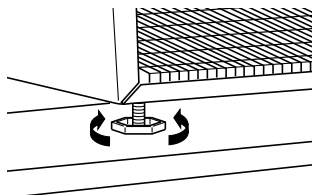
Risque du poids excessif

Utiliser deux ou plus de personnes pour déplacer et installer la cave à vin.

Le non-respect de cette instruction peut causer une blessure au dos ou d'autre blessure.

2. Déplacer la cave à vin à sa position finale.
3. Tourner les pieds de nivellement vers la droite pour abaisser la cave à vin ou tourner les pieds de nivellement vers la gauche pour le lever. Il peut être nécessaire de tourner les pieds de nivellement plusieurs fois pour ajuster l'inclinaison de la cave à vin.

REMARQUE : Si une autre personne pousse le haut de la cave à vin, le poids devient moins lourd sur les pieds de nivellement, ce qui rend plus facile l'ajustement des pieds de nivellement.

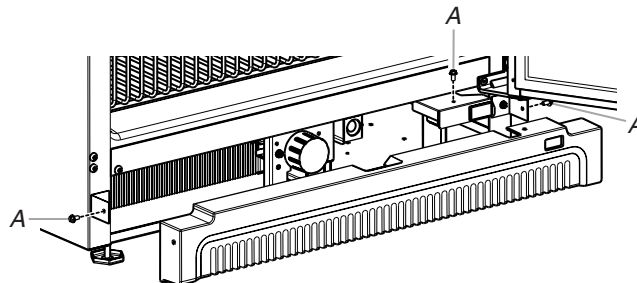


4. Ouvrir la porte et s'assurer qu'elle ferme comme vous le désirez. Sinon, incliner la cave à vin un peu plus vers l'arrière en tournant les deux vis de nivellement avant vers la droite. Plusieurs tours peuvent être nécessaires et il convient de tourner les deux vis de nivellement de façon égale.

Grille de la base

Retirer la grille de la base :

1. Ouvrir la porte de la cave à vin.
2. À l'aide d'un tournevis Phillips, retirer les trois vis fixant la grille de la base à la caisse de la cave à vin.
3. Tirer la grille de la base vers vous.



A. Vis

Réinstaller la grille de la base :

1. Ouvrir la porte de la cave à vin.
2. Placer la grille de la base de manière à ce que les trous soient alignés avec la cave à vin et réinstaller les trois vis.

UTILISATION DE LA CAVE À VIN

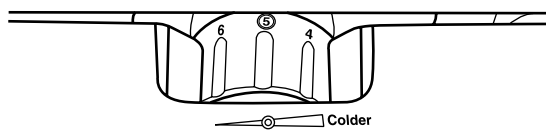
Sons normaux

Il est possible que la cave à vin neuve émette des sons que l'appareil précédent ne produisait pas. Comme ces sons sont nouveaux, ils peuvent vous inquiéter. La plupart de ces nouveaux sons sont normaux. Les sons peuvent vous sembler plus forts avec des surfaces dures telles que le plancher et les structures adjacentes. Les descriptions suivantes indiquent les genres de sons et leur cause possible.

- Votre cave à vin est conçue pour fonctionner plus efficacement afin de conserver les aliments aux températures désirées et pour minimiser la consommation d'énergie. Le compresseur et les ventilateurs très efficaces peuvent faire fonctionner votre cave à vin plus longtemps que l'ancienne. Il se peut également que vous entendiez un bruit saccadé ou aigu provenant du compresseur ou des ventilateurs qui s'ajustent pour optimiser la performance.
- Des vibrations sonores peuvent provenir de l'écoulement du réfrigérant ou d'articles placés dans la cave à vin.
- À la fin de chaque programme, vous pouvez entendre un gargouillement attribuable au réfrigérant qui se trouve dans votre cave à vin.
- Vous pouvez entendre l'écoulement de l'eau dans le plat de récupération d'eau de dégivrage lorsque la cave à vin dégivre.
- Vous pouvez entendre des déclics lorsque la cave à vin se met en marche ou s'arrête.

Utilisation de la commande

Pour votre commodité, la commande de la cave à vin est préréglée à l'usine. Lors de l'installation initiale de la cave à vin, s'assurer que la commande est encore préréglée au réglage moyen tel qu'illustré.



Ajustement des commandes

Les réglages moyens indiqués à la section précédente devraient convenir pour une utilisation normale de la cave à vin. La commande est réglée correctement lorsque les boissons sont à la température idéale.

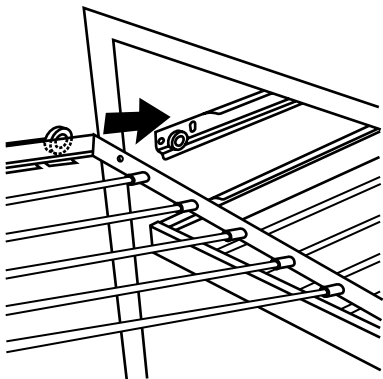
S'il est nécessaire d'ajuster la température, attendre au moins 24 heures entre chaque ajustement puis revérifier la température.

Pour rendre la cave à vin plus froide, ajuster la commande au réglage plus élevé suivant. Pour rendre la cave à vin moins froide, ajuster la commande au réglage plus bas suivant.

Casiers à vin

Pour enlever et réinstaller les casiers à vin

1. Tirer le casier à vin vers l'avant, en le soulevant pour le sortir de son support.
2. Réinstaller le casier en l'insérant dans les supports et en le faisant glisser vers l'arrière de la cave à vin.



Garniture en bois

IMPORTANT : Afin d'éviter des dommages permanents au revêtement interne de la cave à vin, la garniture en bois du casier à vin doit être retirée de l'appareil en cas d'application de teinture ou de fini. Laisser le colorant ou la teinture sécher complètement pendant au moins 24 heures, ou davantage si les instructions du fabricant l'exigent avant de réinstaller les casiers. Le non-respect de ces instructions peut entraîner des odeurs permanentes émanant du revêtement interne, ce qui n'est pas couvert par la garantie.

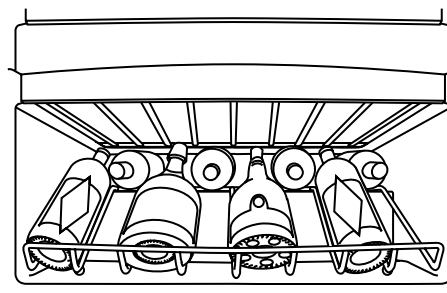
Les casiers de la cave à vin comportent une garniture en bois naturel. La garniture en bois est revêtue d'une peinture d'impression vinylique transparente destinée à protéger convenablement le bois dans les cas d'utilisation normale. Il est possible de choisir de teinter la garniture en bois ou d'appliquer un revêtement de fini transparent. Retirer les casiers de la cave à vin avant de procéder aux opérations de teinture ou d'application de revêtement. Laisser le colorant ou la teinture sécher complètement pendant au moins 24 heures, ou davantage si les instructions du fabricant l'exigent.

Stockage dans la cave à vin

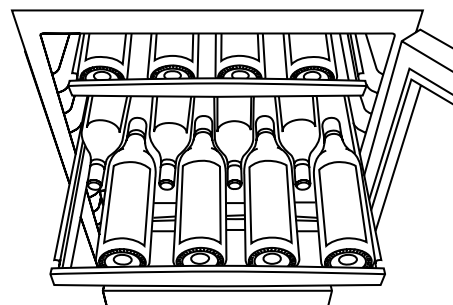
REMARQUE : Pour un rangement optimal dans la cave à vin, placer les vins rouges dans la partie supérieure de la cave, les vins blancs au centre et les vins pétillants dans la partie inférieure.

Stockage dans la cave à vin

1. Débuter le stockage dans la cave à vin par le présentoir du bas.
2. En commençant par le côté gauche, placer la première bouteille sur le bas du casier, le goulot de la bouteille vers l'arrière de la cave à vin.
3. Placer la bouteille suivante à côté, le goulot de la bouteille vers l'avant de la cave à vin.



4. Alternner ainsi jusqu'à ce que le présentoir soit plein.
5. Tirer le casier suivant vers l'avant.
6. En commençant par le côté gauche, placer la première bouteille sur le casier, le goulot de la bouteille vers l'avant.
7. Placer la bouteille suivante sur la rangée qui suit, le goulot de la bouteille vers l'arrière de la cave à vin.



8. Continuer d'alterner ainsi jusqu'à ce que le casier soit plein.
9. Faire glisser le casier en place et continuer à stocker chaque casier restant comme décrit ci-dessus.

Éclairage de la caisse

La cave à vin possède une lumière intérieure qui s'allume chaque fois que la porte est ouverte. La lumière peut aussi être allumée à tout moment en appuyant sur le bouton extérieur situé à côté du bouton de commande de la température, dans la partie inférieure de la cave à vin.

REMARQUE : La température de la caisse augmente légèrement si la lumière est laissée allumée pendant une période prolongée.

ENTRETIEN DE LA CAVE À VIN

Nettoyage

AVERTISSEMENT



Risque d'explosion

Utiliser un produit de nettoyage ininflammable.

Le non-respect de cette instruction peut causer un décès, une explosion ou un incendie.

Nettoyer la cave à vin environ une fois par mois pour empêcher une accumulation d'odeurs. Essuyer les renversements immédiatement.

Nettoyage de la cave à vin :

1. Débrancher la cave à vin ou déconnecter la source de courant électrique.
 2. Retirer toutes les tablettes.
 3. Laver à la main, rincer et sécher les pièces amovibles et les surfaces internes à fond. Utiliser une éponge propre ou un linge doux et un détergent doux dans de l'eau tiède.
 - Ne pas utiliser de nettoyants abrasifs tels que les nettoyants à vitre en atomiseurs, nettoyants à récurer, liquides inflammables, cires nettoyantes, détergents concentrés, eaux de Javel ou nettoyants contenant du pétrole sur les pièces en plastique, les garnitures intérieures et de portes ou les joints de portes. Ne pas utiliser d'essuie-tout, tampons à récurer ou autres outils de nettoyage abrasifs. Ces produits risquent d'égratigner ou d'endommager les matériaux.
 - Pour aider à éliminer les odeurs, on peut laver les parois intérieures avec un mélange d'eau tiède et de bicarbonate de soude (2 c. à soupe pour 1 pinte [26 g pour 0,95 L] d'eau).
 4. Laver les surfaces extérieures avec une éponge propre ou un linge doux et un détergent doux dans de l'eau tiède. Ne pas utiliser de nettoyants abrasifs. Sécher parfaitement avec un linge doux.
 - Pour que votre cave à vin en acier inoxydable conserve son aspect neuf et pour enlever les petites égratignures ou marques, il est suggéré d'utiliser le nettoyant et poli pour acier inoxydable approuvé par le fabricant. Pour commander le nettoyant, voir la section "Accessoires".
- IMPORTANT :** Ce nettoyant doit être utilisé sur les pièces en acier inoxydable uniquement!
- Veiller à ce que le nettoyant et poli pour acier inoxydable n'entre pas en contact avec les pièces de plastique telles que garnitures ou joints de porte. En cas de contact accidentel, nettoyer la pièce de plastique avec une éponge et un détergent doux et de l'eau tiède. Sécher parfaitement avec un linge doux.
5. Remettre les tablettes en place.

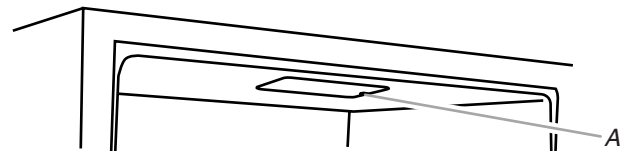
6. Nettoyer régulièrement les serpentins du condenseur. Ils sont situés derrière la grille de la base. Il se peut que les serpentins aient besoin d'être nettoyés tous les deux mois. Ce nettoyage peut aider à économiser de l'énergie.
 - Enlever la grille de la base. Voir "Grille de la base".
 - Employer un aspirateur avec un accessoire long pour nettoyer les serpentins du condenseur lorsqu'ils sont sales ou poussiéreux.
 - Réinstaller la grille de la base.
7. Brancher la cave à vin ou reconnecter la source de courant électrique.

Changement de l'ampoule d'éclairage

REMARQUE : Toutes les ampoules pour appareils ménagers ne conviendront pas à votre cave à vin. Veiller à effectuer le remplacement par une ampoule de grosseur, de forme et de puissance semblables.

Changement de l'ampoule :

1. Débrancher la cave à vin ou déconnecter la source de courant électrique.
2. Faire glisser le protecteur d'ampoule vers l'onglet.
3. Appuyer sur l'onglet et soulever le côté opposé du protecteur d'ampoule.
4. Remettre l'ampoule en place.
5. Réinstaller le protecteur d'ampoule du côté de l'extrémité de l'onglet du protecteur, puis abaisser le protecteur pour le mettre en place (un déclic se fait entendre).



A. Onglet

6. Brancher la cave à vin ou reconnecter la source de courant électrique.

Précautions à prendre pour les vacances et avant un déménagement

Vacances

Si vous choisissez d'arrêter la cave à vin avant de partir, suivre ces étapes.

1. Enlever tous les vins de la cave à vin.
2. Débrancher la cave à vin.
3. Nettoyer la cave à vin. Voir "Nettoyage".
4. À l'aide d'un ruban adhésif, placer un bloc de caoutchouc ou de bois dans la partie supérieure de la porte de façon à ce qu'elle soit suffisamment ouverte pour permettre l'entrée de l'air à l'intérieur, afin d'éviter l'accumulation d'odeur ou de moisissure.

Déménagement

En cas de déménagement et de déplacement de la cave à vin dans une nouvelle habitation, suivre ces étapes pour préparer le déménagement.

1. Enlever tous les vins la cave à vin.
2. Débrancher la cave à vin.
3. Bien nettoyer, essuyer et sécher.

4. Retirer toutes les pièces amovibles, bien les envelopper et les attacher ensemble à l'aide de ruban adhésif pour qu'elles ne bougent pas ni ne s'entrechoquent durant le déménagement.
5. Fermer les portes à l'aide de ruban adhésif et fixer le cordon d'alimentation à la partie arrière du réfrigérateur.

Lorsque vous arriverez à votre nouvelle habitation, remettre tout en place et consulter la section "Instructions d'installation" pour les instructions de préparation.

DÉPANNAGE

Essayer les solutions suggérées ici d'abord afin d'éviter le coût d'une visite de service non nécessaire.

Votre cave à vin ne fonctionne pas

- **Le cordon d'alimentation électrique est-il débranché?** Brancher l'appareil sur une prise à 3 alvéoles reliée à la terre.
- **Un fusible est-il grillé ou le disjoncteur s'est-il déclenché?** Remplacer le fusible ou réenclencher le disjoncteur.
- **La commande de la cave à vin est-elle réglée à la position OFF (arrêt)?** Voir "Utilisation de la commande".

Les ampoules ne fonctionnent pas

- **Le cordon d'alimentation électrique est-il débranché?** Brancher l'appareil sur une prise à 3 alvéoles reliée à la terre.
- **Une ampoule est-elle desserrée dans la douille?** Déconnecter la cave à vin de la source de courant électrique. Enlever délicatement l'ampoule et la réinsérer. Reconnecter ensuite la cave à vin à la source de courant électrique.
- **Une ampoule est-elle grillée?** La remplacer par une ampoule pour appareils ménagers de tension, de grosseur et de format similaires. Voir "Remplacement de l'ampoule d'éclairage".

Le plat de dégivrage contient de l'eau

- **La cave à vin est-elle en train de se dégivrer?** L'eau s'évaporera. Il est normal que l'eau dégoutte dans le bac de dégivrage.
- **Y-a-t-il plus d'humidité que d'habitude?** Prévoir que l'eau dans le plat de dégivrage prendra plus de temps à s'évaporer. Ceci est normal quand il fait chaud ou humide.

Le moteur semble fonctionner excessivement

- **La température ambiante est-elle plus élevée que d'habitude?** Prévoir que le moteur fonctionnera plus longtemps dans des conditions de chaleur. Pour des températures extérieures normales, prévoir que le moteur fonctionne à peu près 40 % à 80 % du temps. Dans des conditions plus chaudes, prévoir un fonctionnement encore plus fréquent.
- **La porte est-elle ouverte fréquemment?** Prévoir que le moteur fonctionnera plus longtemps dans ce cas. Afin de conserver l'énergie, essayer de sortir de la cave à vin tout ce dont vous avez besoin en une fois, garder les vins organisés de sorte qu'ils soient faciles à trouver et fermer la porte dès que les vins ont été retirés.
- **Le réglage est-il correct pour les conditions existantes?** Voir "Utilisation de la commande".

- **La porte est-elle bien fermée?** Pousser les portes pour qu'elles soient bien fermées. Si elles ne ferment pas complètement, voir "La porte ne ferme pas complètement" plus loin dans cette section.
- **Les serpentins du condenseur sont-ils sales?** Cette situation empêche le transfert de l'air et fait travailler davantage le moteur. Nettoyer les serpentins du condenseur. Voir "Nettoyage".

La température est trop élevée

- **La porte est-elle ouverte fréquemment?** Prévoir que la cave à vin deviendra tiède dans ce cas. Pour garder la cave à vin froide, essayer de sortir de la cave à vin tout ce dont vous avez besoin en une fois, garder les vins organisés de sorte qu'ils soient faciles à trouver et fermer la porte dès que les vins ont été retirés.
- **Le réglage est-il correct pour les conditions existantes?** Voir "Utilisation de la commande".
- **La grille de la base est-elle bloquée?** Pour le meilleur rendement, ne pas installer le réfrigérateur derrière une porte d'armoire ni bloquer la grille de la base.

Il existe une accumulation d'humidité à l'intérieur

- **La porte est-elle ouverte fréquemment?** Pour éviter l'accumulation d'humidité, essayer de sortir de la cave à vin tout ce dont vous avez besoin en une fois, garder les vins organisés de sorte qu'ils soient faciles à trouver et fermer la porte dès que les vins ont été retirés. Lorsque la porte est ouverte, l'humidité de l'air extérieur pénètre dans le réfrigérateur. Plus la porte est ouverte, plus l'humidité s'accumule rapidement, surtout lorsque la pièce est très humide.
- **La pièce est-elle humide?** Il est normal que de l'humidité s'accumule à l'intérieur de la cave à vin lorsque l'air est humide.
- **Le réglage est-il correct pour les conditions existantes?** Voir "Utilisation de la commande".

La porte est difficile à ouvrir

- **Le joint est-il sale ou collant?** Nettoyer le joint et la surface avec laquelle il est en contact. Frotter en appliquant une fine couche de paraffine sur le joint après le nettoyage.

La porte ne ferme pas complètement

- **Les étagères sont-elles bien en place?** Remettre les étagères à la bonne position. Voir "Utilisation de la cave à vin" pour plus de renseignements.

ASSISTANCE OU SERVICE

Avant de faire un appel pour assistance ou service, veuillez vérifier "Dépannage". Cette vérification peut vous faire économiser le coût d'une visite de service. Si vous avez encore besoin d'aide, suivre les instructions ci-dessous.

Lors d'un appel, veuillez connaître la date d'achat et les numéros de modèle et de série au complet de votre appareil. Ces renseignements nous aideront à mieux répondre à votre demande.

Si vous avez besoin de pièces de rechange

Si vous avez besoin de commander des pièces de rechange, nous vous recommandons d'utiliser seulement les pièces de rechange d'origine. Les pièces de rechange d'origine conviendront et fonctionneront bien parce qu'elles sont fabriquées selon les mêmes spécifications précises utilisées pour fabriquer chaque nouvel appareil KITCHENAID®.

Pour savoir où trouver des pièces de rechange dans votre région, nous appeler ou contacter le centre de service désigné le plus proche.

Aux États-Unis

Téléphoner sans frais au Centre pour l'eXpérience de la clientèle au : **1-800-422-1230**.

Nos consultants fournissent de l'assistance pour :

- Caractéristiques et spécifications de notre gamme complète d'appareils ménagers.
- Renseignements d'installation.
- Procédés d'utilisation et d'entretien.
- Vente d'accessoires et de pièces de rechange.
- Assistance spécialisée au client (langue espagnole, malentendants, malvoyants, etc.).
- Les références aux concessionnaires, compagnies de service de réparation et distributeurs de pièces de rechange locaux. Les techniciens de service désignés par KitchenAid sont formés pour remplir la garantie des produits et fournir un service après garantie partout aux États-Unis.

Pour localiser la compagnie de service désignée par Kitchen Aid dans votre région, vous pouvez également consulter les Pages jaunes.

- **Le joint colle-t-il?** Nettoyer le joint et la surface avec laquelle il est en contact. Frotter en appliquant une fine couche de paraffine sur le joint après le nettoyage.

Pour plus d'assistance

Si vous avez besoin de plus d'assistance, vous pouvez écrire à KitchenAid en soumettant toute question ou problème à :

KitchenAid Brand Home Appliances
Customer eXperience Center
553 Benson Road
Benton Harbor, MI 49022-2692

Dans votre correspondance, veuillez indiquer un numéro de téléphone où l'on peut vous joindre dans la journée.

Au Canada

Téléphoner sans frais au Centre d'interaction avec la clientèle de KitchenAid Canada au : **1-800-461-5681** du lundi au vendredi de 8 h à 18 h (HNE). Le samedi de 8 h 30 à 16 h 30 (HNE)

Nos consultants fournissent de l'assistance pour :

- Caractéristiques et spécifications de notre gamme complète d'appareils ménagers.
- Références aux concessionnaires locaux.

Pour service au Canada

Téléphoner au **1-800-807-6777**. Les techniciens de service désignés par KitchenAid Canada sont formés pour remplir la garantie des produits et fournir un service après garantie partout au Canada.

Pour plus d'assistance

Si vous avez besoin de plus d'assistance, vous pouvez écrire à KitchenAid Canada en soumettant toute question ou problème à :

KitchenAid Canada
Centre d'interaction avec la clientèle
1901 Minnesota Court
Mississauga, Ontario L5N 3A7

Dans votre correspondance, veuillez indiquer un numéro de téléphone où l'on peut vous joindre dans la journée.

Accessoires

Pour commander des accessoires, composer le **1-800-442-9991** et demander le numéro de pièce approprié ci-dessous ou contacter votre marchand autorisé KitchenAid. Au Canada, composer le **1-800-807-6777**.

Nettoyant et poli pour acier inoxydable

Commander la pièce n°4396095

GARANTIE DE LA CAVE À VIN KITCHENAID®

GARANTIE COMPLÈTE DE UN AN SUR LA CAVE À VIN

Pour une période de un an à partir de la date d'achat, lorsque cette cave à vin est utilisée et entretenue conformément aux instructions jointes à ou fournies avec le produit, KitchenAid paiera pour les pièces de rechange spécifiées par l'usine et les frais de main-d'oeuvre pour corriger les vices de matériaux ou de fabrication. Les travaux doivent être effectués par une compagnie de service désignée par KitchenAid.

GARANTIE COMPLÈTE DE LA DEUXIÈME À LA CINQUIÈME ANNÉE INCLUSIVEMENT SUR LA GARNITURE DE LA CAVITÉ INTÉRIEURE ET SUR LES PIÈCES DU SYSTÈME DE RÉFRIGÉRATION SCÉLLÉ TEL QU'INDIQUÉ

De la deuxième à la cinquième année inclusivement à partir de la date d'achat, lorsque cette cave à vin est utilisée et entretenue conformément aux instructions jointes à ou fournies avec le produit, KitchenAid paiera pour le remplacement et la réparation de la garniture de la cavité intérieure de la cave à vin (y compris les frais de réparation) si la cavité intérieure se fend par suite de vices de matériaux ou de fabrication. Les travaux doivent être effectués par une compagnie de service désignée par KitchenAid.

Aussi, de la deuxième à la cinquième année inclusivement à partir de la date d'achat, KitchenAid paiera pour les pièces de rechange spécifiées par l'usine et les frais de réparation pour corriger les vices de matériaux ou de fabrication dans le système de réfrigération scellé. Ces pièces sont : le compresseur, l'évaporateur, le condenseur, le dispositif de séchage et les tubes de raccord. Les travaux doivent être effectués par une compagnie de service désignée par KitchenAid.

KitchenAid et KitchenAid Canada ne paieront pas pour :

1. Les visites de service pour rectifier l'installation du réfrigérateur, montrer à l'utilisateur comment utiliser la cave à vin ou remplacer des fusibles, rectifier le câblage électrique ou la plomberie du domicile, remplacer des ampoules électriques, ou les filtres à eau de rechange sauf ce qui est indiqué ci-dessus.
2. Les réparations lorsque la cave à vin est utilisée à des fins autres qu'un usage unifamilial normal.
3. La prise en charge et la livraison du réfrigérateur. La cave à vin est conçue pour être réparée à domicile.
4. Les dommages causés par : accident, modification, mésusage, abus, incendie, inondation, mauvaise installation, actes de Dieu, ou l'utilisation de produits non approuvés par KitchenAid ou KitchenAid Canada.
5. Toute perte d'aliments attribuable à une malfonction du produit.
6. Les réparations de pièces ou systèmes attribuables à des modifications non autorisées de l'appareil ménager.
7. Les pièces de rechange ou les frais de réparation des appareils utilisés à l'extérieur du Canada ou des États-Unis.
8. Au Canada, les frais de déplacement ou de transport pour les clients qui habitent dans des régions éloignées.

KITCHENAID ET KITCHENAID CANADA DÉCLINENT TOUTE RESPONSABILITÉ AU TITRE DE DOMMAGES FORTUITS OU INDIRECTS.

Certains États ou certaines provinces peuvent ne pas admettre l'exclusion ou la limitation des dommages fortuits ou indirects; par conséquent, l'exclusion ou la limitation mentionnée ci-dessus peut ne pas s'appliquer dans votre cas. Cette garantie vous confère des droits juridiques spécifiques; vous pouvez également jouir d'autres droits, variables d'un État à un autre ou d'une province à une autre.

À l'extérieur du Canada et des 50 États des États-Unis, cette garantie ne s'applique pas. Contacter votre marchand KitchenAid autorisé pour déterminer si une autre garantie s'applique.

Si vous avez besoin de service, consulter d'abord la section "Dépannage" dans ce manuel. Après avoir vérifié la section "Dépannage", une aide additionnelle peut être trouvée en vérifiant la section "Assistance ou Service" ou en téléphonant au Centre d'expérience avec la clientèle KitchenAid au **1-800-422-1230** (sans frais), de n'importe où aux É.-U. Au Canada, contacter votre compagnie de service autorisée par KitchenAid Canada ou téléphoner au **1-800-807-6777**.

10/04

Conserver ce manuel et le reçu de vente ensemble pour référence ultérieure. Il faut fournir une preuve d'achat ou de date d'installation pour le service au titre de la garantie.

Veuillez noter les renseignements suivants à propos de la cave à vin pour mieux obtenir assistance ou service en cas de besoin. Vous devez connaître les numéros de modèle et de série complets. Vous pouvez trouver cette information sur la plaque signalétique sur la paroi interne du compartiment de la cave à vin.

Nom du marchand _____

Adresse _____

Numéro de téléphone _____

Numéro de modèle _____

Numéro de série _____

Date d'achat _____