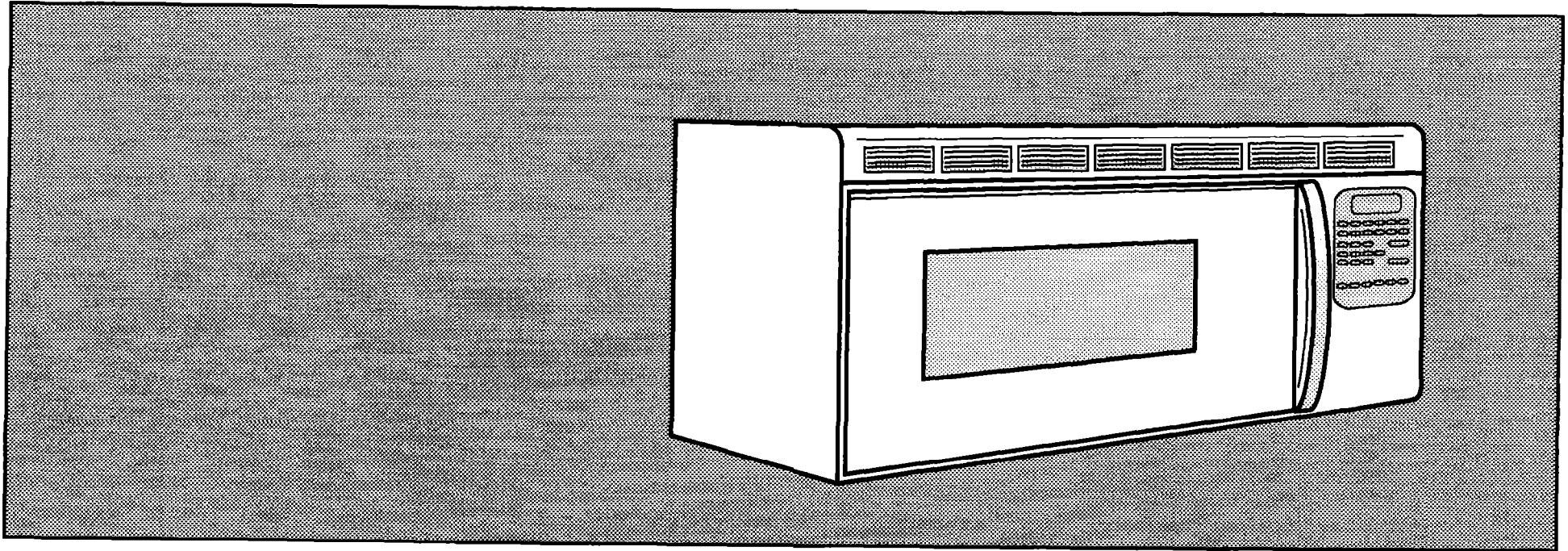


# Installation Instructions



Part No. 3874W500832/4358901 Rev. A

**IMPORTANT:**  
Read and save  
these instructions.

**IMPORTANT:**

**Installer:** Leave Installation Instructions  
with homeowner.

**Homeowner:** Keep Installation Instructions  
for future reference.

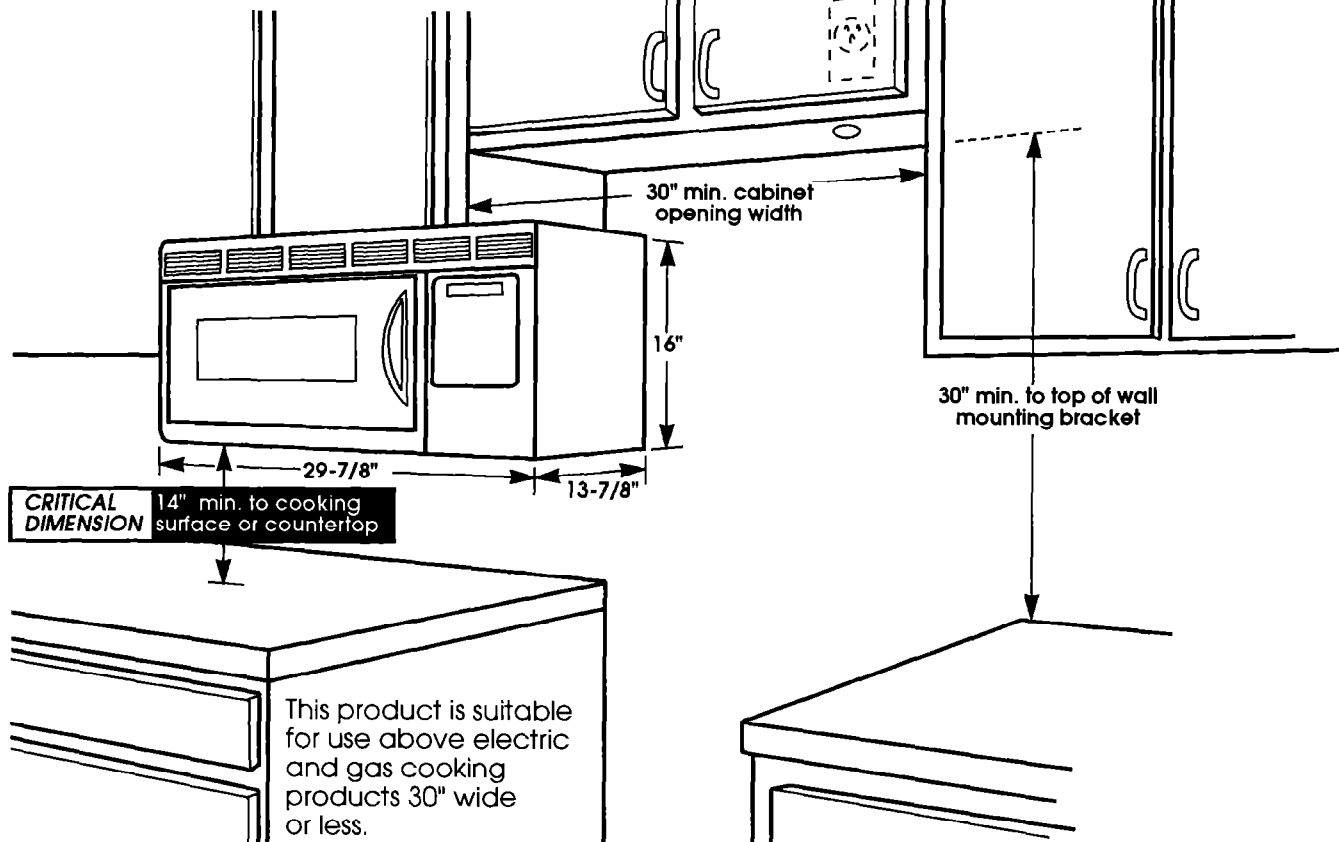
**Save** Installation Instructions for electrical  
inspector's use.

## Microwave Hood Combination

## Before you start...

**Proper installation is the installer's responsibility.** A qualified technician should install this microwave oven. Make sure you have everything necessary for correct installation. It is the responsibility of the installer to comply with the installation clearances specified either on the mounting bracket or in the Installation Instructions.

This microwave oven is shipped assembled for ventless (recirculating) installation.



**Important: Observe all governing codes and ordinances.**

Electrical ground is required. See "Electrical requirements," Panel B.

Remove all contents from the upper cabinet.

## ! WARNING

### Excessive Microwave Energy Exposure

- Do Not attempt to operate this microwave oven with the door open.
- Do Not tamper with or defeat the safety interlocks.
- Do Not place objects between the microwave oven front face and the door.
- Do Not allow soil or cleaner residue to accumulate on sealing surface of microwave oven door.
- Do Not operate microwave oven if it is damaged.
- The microwave oven door must close properly to provide safe operation. Do Not use microwave oven if door is bent; hinges and latches are broken or loose; or door seals, sealing surfaces or glass is broken.
- The microwave oven should be adjusted and repaired only by a qualified repair person.
- Have a qualified repair person check for microwave leakage if a repair is made.
- Do Not use microwave oven for commercial purposes. This microwave oven is designed for household use only.

Failure to use microwave oven except as instructed could result in exposure to excessive microwave energy.

**Wall construction** should be a minimum of 2" x 4" wood studing and 3/8" thickness drywall or plaster/lath.

Remove all packaging material from inside microwave oven. Check the microwave oven for damage — see WARNING for excessive microwave energy exposure. If any damage is evident, Do Not operate the microwave oven until it is checked by an authorized service technician.

**Check location** where microwave oven will be installed. The wall must be strong enough to support the microwave weight of 150 lb., plus the weight of any items placed inside the microwave or the upper cabinet. The location should be away from draft areas, such as windows, doors, and strong heating vents. The microwave oven should be located for convenient use in the kitchen.

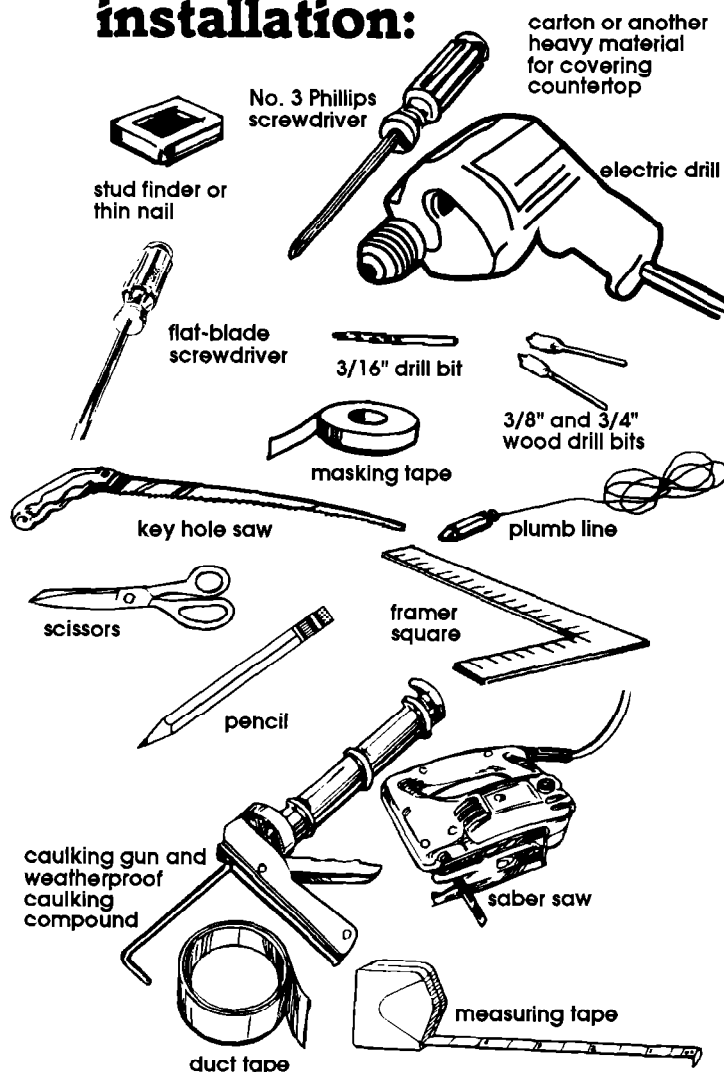
## ! CAUTION

### Property Damage

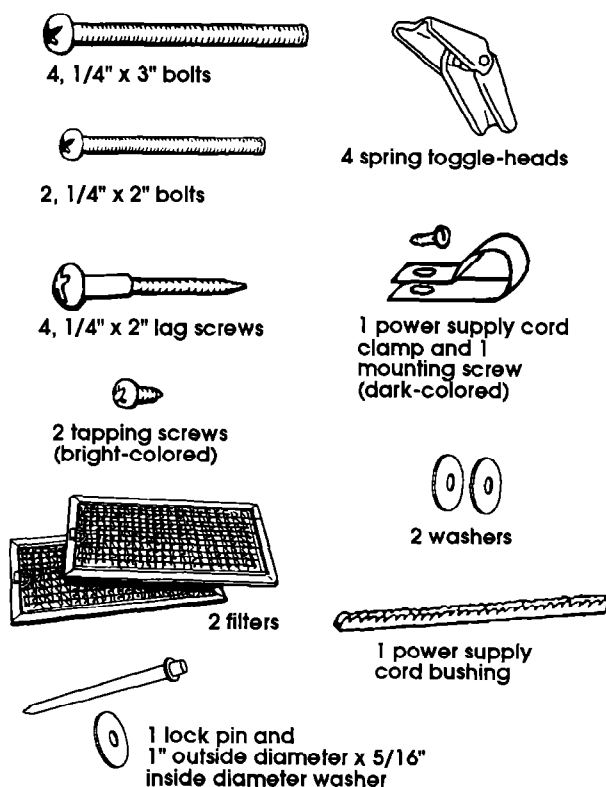
Place a portion of carton or another heavy material over the countertop and range before installing the microwave hood. Do Not use a plastic cover.

Failure to protect cooking surface or countertop could result in property damage.

## Tools and materials needed for installation:



## Parts supplied for installation:



## ! WARNING

### Personal Injury Hazard

Two people are required to lift this microwave oven.

Failure to use more than one person during installation may result in personal injury.

- This microwave oven must be mounted against and supported by a flat, vertical wall.
- This microwave oven must be attached with two lag screws to a minimum of one, vertical 2" x 4" wall stud.
- Do Not mount microwave oven to an island or peninsula cabinet.
- The microwave oven top and rear supporting structure must be capable of supporting 150 lb., plus the weight of any items placed inside the microwave oven or upper cabinet.

Failure to mount the microwave oven as instructed could result in personal injury and/or property damage.

### Electrical Shock Hazard

It is the customer's responsibility:

- To contact a qualified electrical installer.
- To assure that the electrical installation is adequate and in conformance with National Electrical Code, ANSI/NFPA 70 — latest edition\*, and all local codes and ordinances.

Failure to do so could result in death or serious injury.

- Care must be taken when drilling holes into the wall. Electrical wires may be concealed behind the wall covering and contact with them could result in electrical shock.
- Locate any electrical circuits that could be affected by the installation of this product and disconnect power circuit.

Failure to do so could result in death or serious injury.

Copies of the standard listed may be obtained from:

\*National Fire Protection Association  
Batterymarch Park  
Quincy, Massachusetts 02269

Special hardware and tools are required for brick or masonry walls.

# Electrical requirements

## ⚠ WARNING

### Electrical Shock Hazard

- Electrical ground is required on this appliance.
- Do Not ground to a gas pipe.
- Do Not modify the power supply cord plug. If it does not fit the outlet, have a proper outlet installed by a qualified electrician.
- Do Not have a fuse in the neutral or grounding circuit. A fuse in the neutral or grounding circuit could result in an electrical shock.
- Do Not use an extension cord with this appliance.
- Check with a qualified electrician if you are in doubt as to whether the appliance is properly grounded.

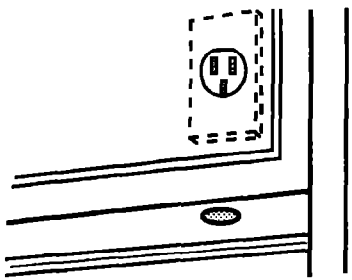
Failure to follow these instructions could result in death or serious injury.

If codes permit and a separate grounding wire is used, it is recommended that a qualified electrician determine that the grounding path is adequate.

## IMPORTANT:

Save Installation Instructions for local electrical inspector's use.

A 120-volt, 60-Hz, AC-only, 15- or 20-ampere, fused electrical supply (located in the upper cabinet as close as possible to the microwave oven) is required. A time-delay fuse or circuit breaker is recommended. It is recommended that a separate circuit serving only this appliance be provided.



### Recommended grounding method

For your personal safety, this appliance must be grounded. This appliance is equipped with a power supply cord having a 3-prong grounding plug. To minimize possible shock hazard, the cord must be plugged into a mating 3-prong grounding-type wall receptacle, grounded in accordance with the National Electrical Code, ANSI/NFPA 70 — latest edition (\*, see Panel A), and all local codes and ordinances. (See Figure 1.) If a mating wall receptacle is not available, it is the personal responsibility and obligation of the customer to have a properly grounded, 3-prong wall receptacle installed by a qualified electrician.

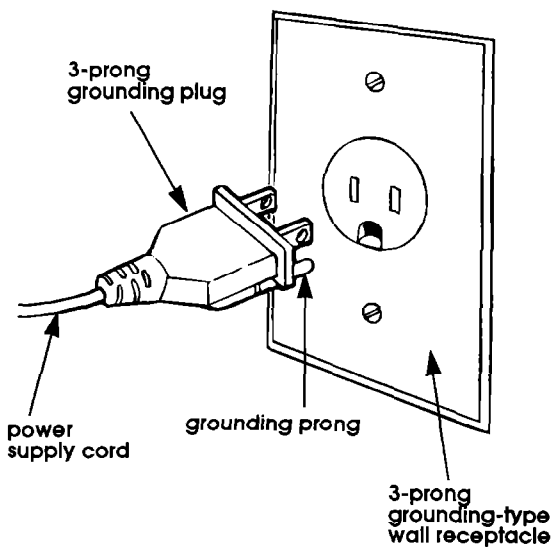


Figure 1

# Venting requirements

Ductwork needed for installation is not included. Wall and roof caps used must have back-draft damper.

## ⚠ WARNING

### Fire Hazard

- Venting system must terminate to the outside.
- Do Not terminate the ductwork in an attic or other enclosed space.
- Do Not use 4" laundry-type wall caps.
- Do Not use plastic ductwork.

Failure to follow recommended venting procedures may result in a fire.

**CAUTION: To reduce risk of fire and to properly exhaust air, be sure to duct air outside. - Do Not vent exhaust air into spaces within walls or ceilings or into attics, crawl spaces or garages.**

### Rigid metal ductwork is recommended.

Flexible metal ductwork is Not recommended. If flexible metal ductwork is used, calculate each foot of flexible metal ductwork as two feet of straight metal ductwork. Flexible metal elbows count twice as much as standard elbows. Use metal ductwork only.

Determine which venting method (roof-venting or wall-venting) you need to use. This microwave hood is equipped for ventless (recirculating) installation.

The length of the ductwork and number of elbows should be kept to a minimum to provide efficient performance. The size of ductwork should be uniform. Do Not install two elbows together. Use duct tape to seal all joints in the duct system. Use caulking to seal exterior wall or roof opening around cap. Figures 2-5 show common venting methods and types of materials needed.

Note: If the rear exhaust method is chosen, be sure that there is proper clearance within the wall for the exhaust duct.

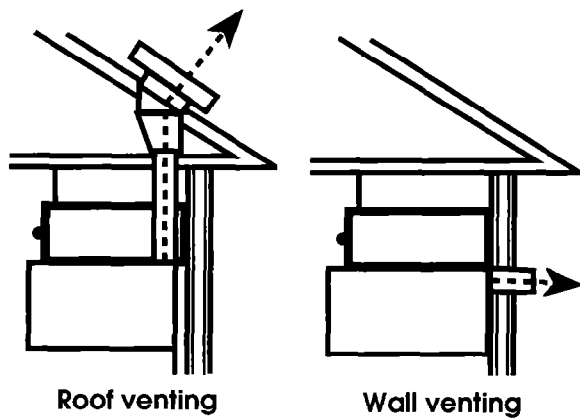
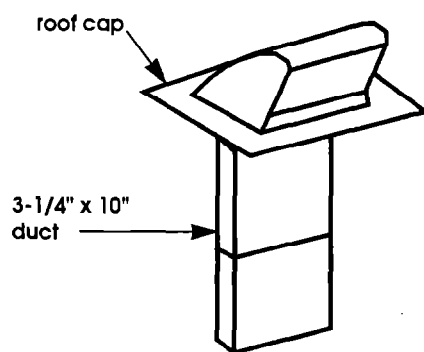
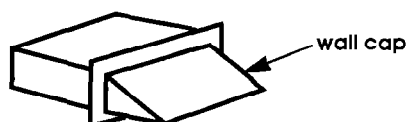


Figure 2



through-the-roof  
Figure 3



3-1/4" x 10" through-the-wall

Figure 4

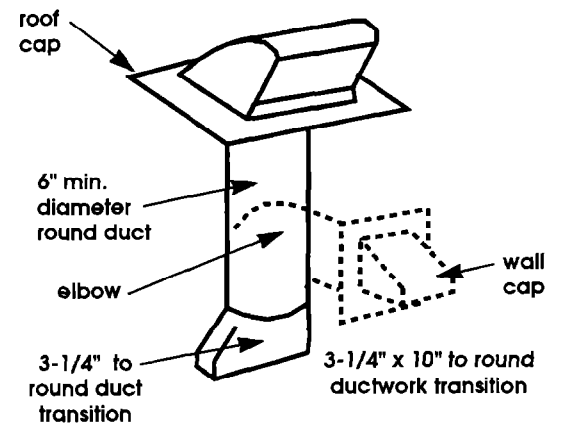
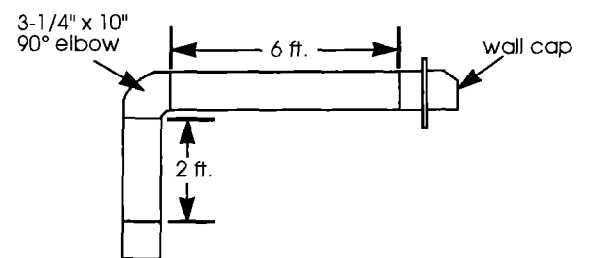


Figure 5

### Recommended duct length

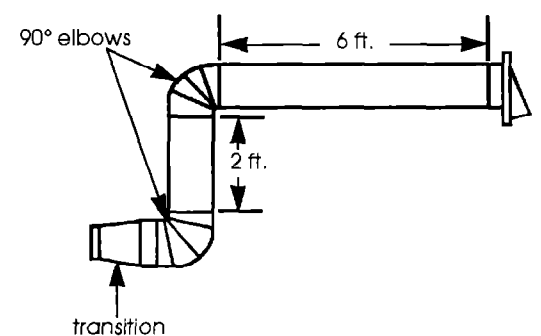
Use 3-1/4" x 10" or 6" duct. The total length of the duct system including straight duct, elbow, transitions, wall or roof caps must not exceed the equivalent of 140 feet of 3-1/4" x 10" rectangular or 6" diameter round duct. For best performance, use no more than three 90° elbows. To calculate the length of system you need, add the equivalent feet for each duct piece used in the system. See the following examples:

### 3-1/4" x 10" duct system



1- 3-1/4" x 10"	
90° elbow	= 25 ft.
1 wall cap	= 40 ft.
8 feet straight	= 8 ft.
<b>Length of</b>	
<b>3-1/4" x 10" system</b>	<b>= 73 ft.</b>

### 6" duct system



1 - transition	= 5 ft.
2 - 90° elbows	= 20 ft.
1 - wall cap	= 40 ft.
8 feet straight	= 8 ft.
<b>Length of 6" system</b>	<b>= 73 ft.</b>

### Recommended standard fittings

3-1/4" x 10" to 6" = 5 ft.	3-1/4" x 10" roof cap = 24 ft.	3-1/4" x 10" 90° elbow = 25 ft.	
90° elbow = 10 ft.	3-1/4" x 10" wall cap = 40 ft.	45° elbow = 5 ft.	3-1/4" x 10" flat elbow = 10 ft.

If the existing duct is round, a rectangular-to-round adapter must be used and a rectangular 3" extension duct between the damper assembly and the adapter must be installed to prevent sticking of the exhaust damper.

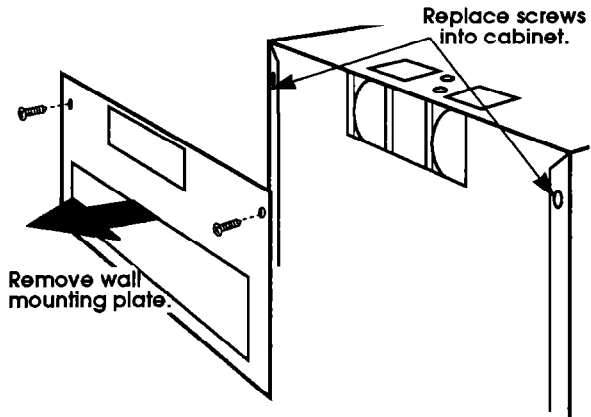
# Venting preparation

## ⚠ WARNING

### Electrical Shock Hazard

- Do not pull or stretch blower wiring. Pulling and stretching blower wire could result in electrical shock.
- Reinsert wires in clips before reinstalling blower unit into microwave oven.

Failure to do so could result in death or serious injury.



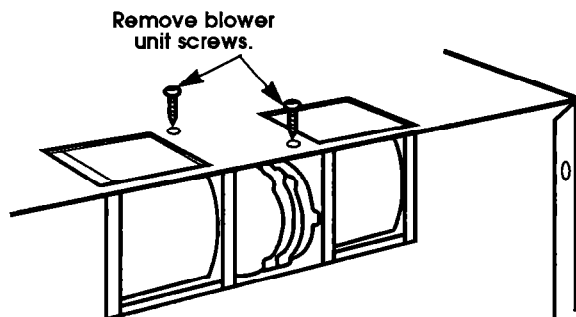
Remove two screws that attach mounting plate to microwave oven cabinet. Remove mounting plate and set aside. **Replace screws** into cabinet.

This microwave oven is shipped assembled for ventless (recirculating) installation. Adjustments must be made for wall- and roof-venting installation. Follow the instructions for preparing your microwave oven for the type of venting method you need.

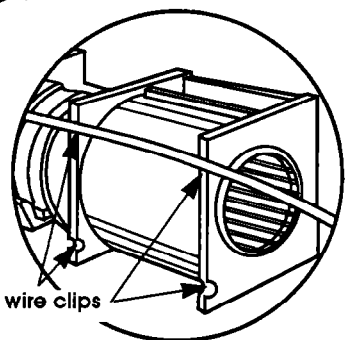
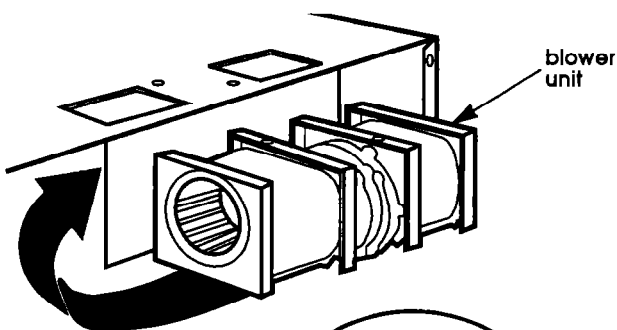
### Ventless (recirculating) installation:

Go to "Now start..."

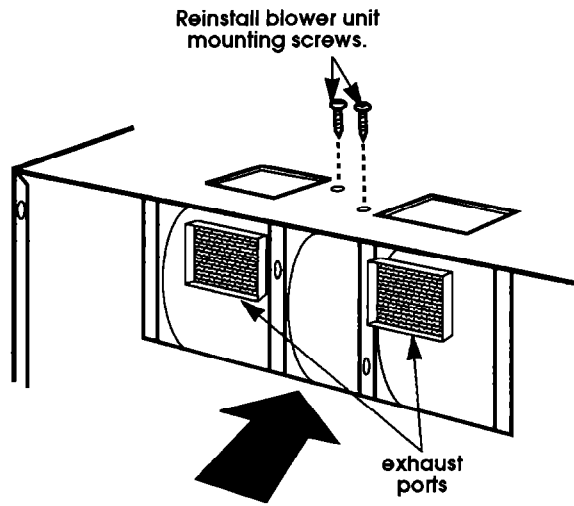
### Wall-venting installation:



- Remove the two blower unit mounting screws.
- Carefully pull the blower unit out of the microwave oven, slipping wires out of clips.

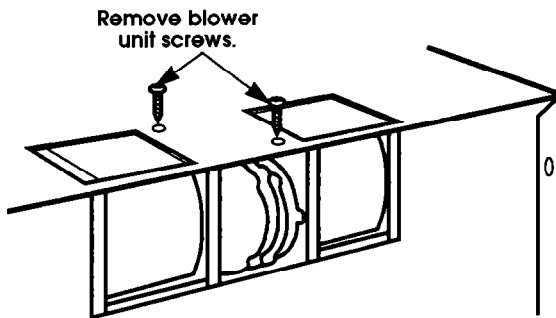


- Rotate blower unit end over end. Then rotate the unit 90° so that the exhaust ports face the rear of the unit. Slip wires into clips at the upper left hand corner of blower unit.

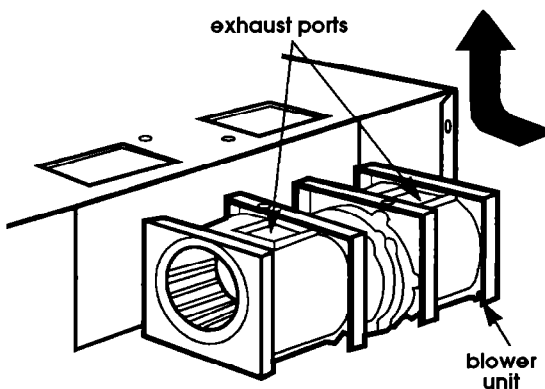


- Place the blower unit back into microwave oven.
- Reinstall the two blower mounting screws.

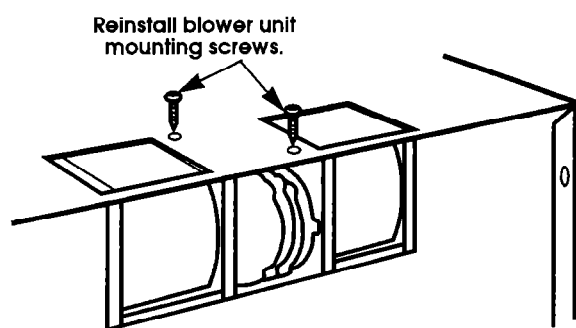
### Roof-venting installation:



- Remove the two blower unit mounting screws.
- Carefully pull the blower unit out of the microwave oven.



- Rotate blower unit 1/4 turn so that the exhaust ports face the top of the unit.
- Place the blower unit back into microwave oven.



- Reinstall the two blower unit mounting screws.

## Now start...

With microwave hood in kitchen.

- Remove shipping materials and parts from inside microwave oven.

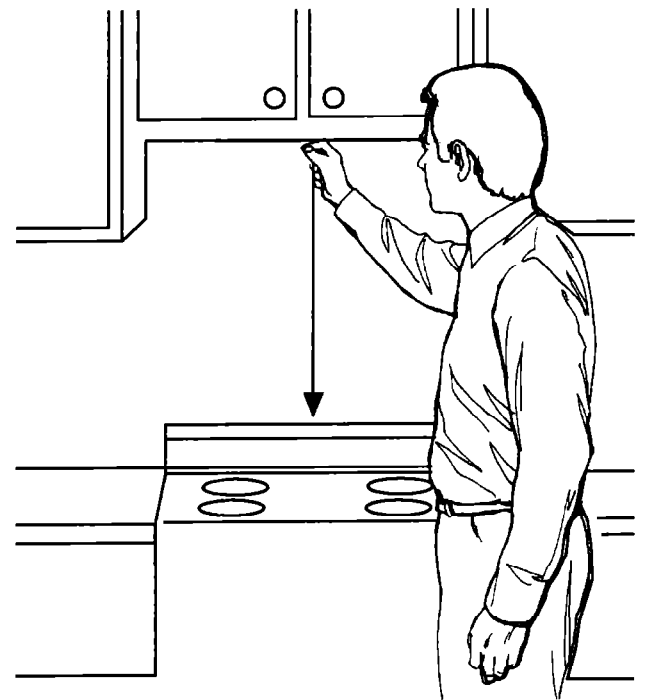
## ⚠ CAUTION

### Floor Damage

Slide range onto cardboard or hardboard before moving across floor.

Failure to do so may damage floor covering.

- Disconnect and move freestanding range out of the cabinet opening to provide easier access to the upper cabinet and back wall. Put a thick, protective covering over cooktop, set-in range or countertop to protect from damage and dirt.

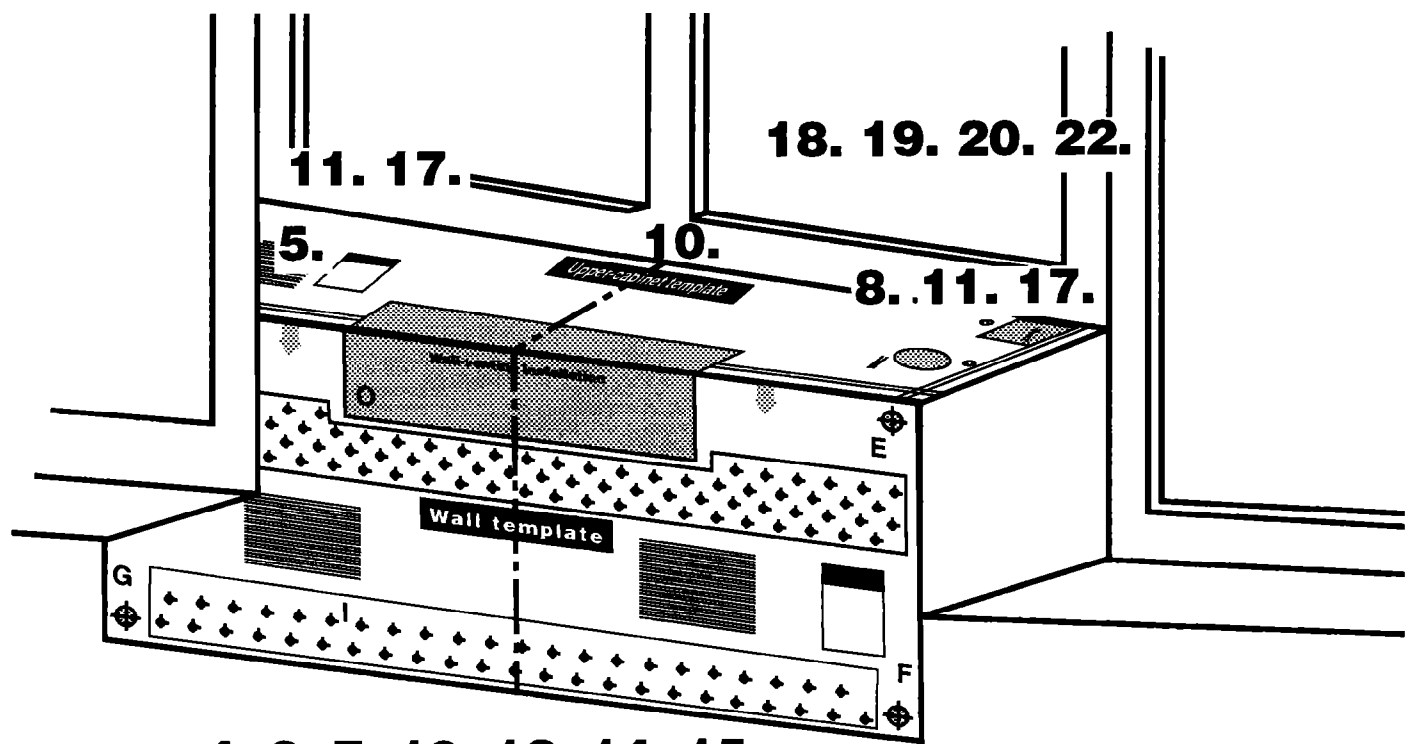


- Using a plumb line and measuring tape, determine and clearly mark a vertical centerline on the wall in the area the microwave oven is to be installed. Find and mark the location of all wall stud(s) on the wall; then measure and mark their location on the wall template. If there are no wall studs in the area the microwave oven is to be installed, consult a local building inspector. **Do Not attempt to install microwave oven if a wall stud cannot be found.**

- Center wall template in opening by lining up the plumb line on wall with centerline on wall template. Make sure the minimum width is 30 inches and that the top of the wall template is located a minimum of 30 inches above the cooking surface. Securely tape or tack the wall template to the wall.

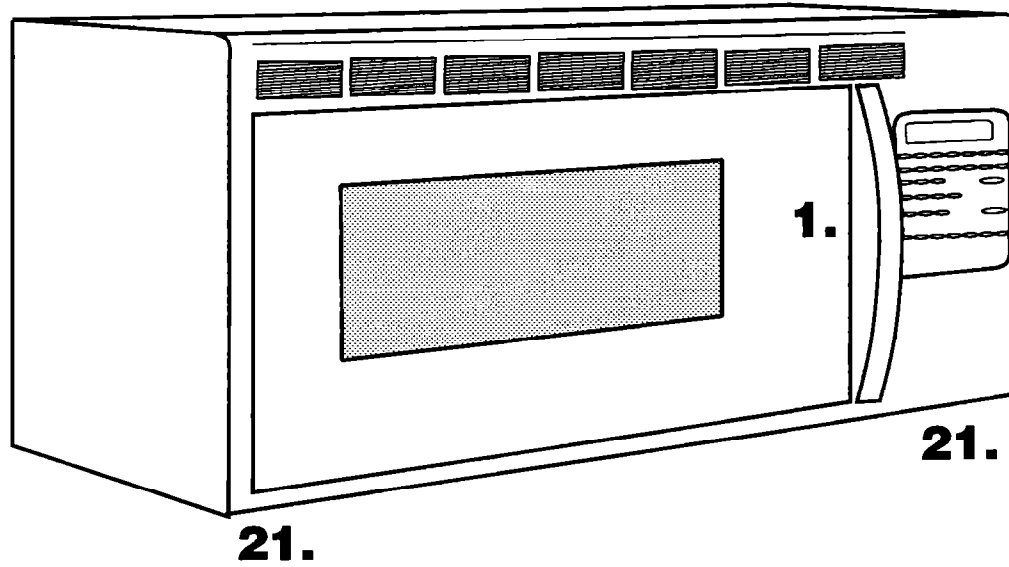
Note:

- If cabinets are not plumb, adjust the wall template to the cabinets.
- If front edge of cabinet is lower than back edge, adjust the wall template so that it is level with the cabinet front.

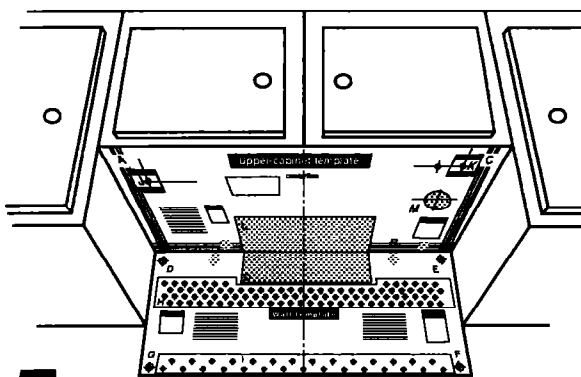


4. 6. 7. 10. 12. 14. 15.

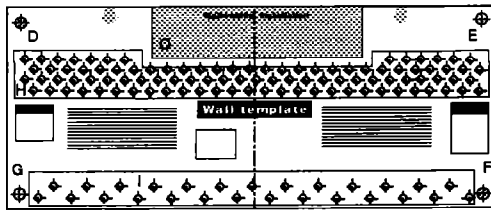
11. 16. 11.



Numbers correspond to steps.



**5.** Measure the bottom of the upper cabinet frame. Trim the edges "A", "B" and "C" on the upper cabinet template so that the template will fit on the bottom of the upper cabinet. If upper cabinet has a recessed frame, trim template so that it fits inside the recessed area. Align the centerline of the upper cabinet template with the centerline of the wall template; then securely tape or tack the upper cabinet template in place.



**7.** Locate the wall stud closest to the center of the areas marked "H" and "I" on the wall template. Drill 3/16" holes into the wall stud in each of the areas. If a wall stud is not located within these areas, drill 3/4" diameter holes nearest to the center of the areas as possible.

If there is not a wall stud within the areas marked "H" and "I" and not behind points marked "D", "E", "F" and "G", **DO NOT** install microwave oven. (Consult building inspector.)

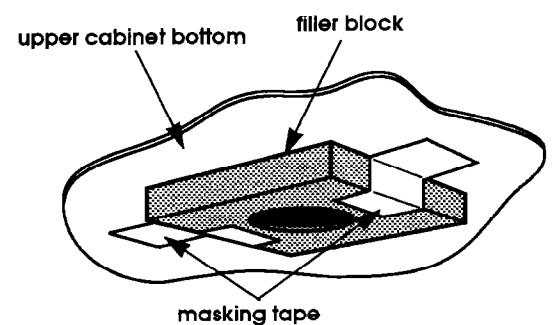
**10.** For ventless installations, go to Step 14.

To vent through the roof, cut out the rectangular area marked "L" on the upper cabinet template.

To vent through the wall, cut out the rectangular area marked "O" on the wall template.

**11.** Drill a 3/8" hole at points "J", "K", and "N" on the upper cabinet template.

Remove the upper-cabinet and wall templates.



If bottom of upper cabinet is recessed, 2" x 2" filler blocks (not included) the same recess thickness as the upper cabinet will be needed. Mark the center of each filler block and drill a 3/8" diameter hole at the marks. Align filler blocks over the two holes "J" and "K" in the cabinet bottom and attach to cabinet bottom with masking tape.

## WARNING

### Electrical Shock Hazard

Take special care when drilling holes into the wall.

Electrical wires may be concealed behind the wall covering, and contact with them could result in electrical shock.

## WARNING

### Electrical Shock Hazard

Install power supply cord bushing around hole drilled in metal cabinet.

Failure to do so could result in death or serious injury.

**6.** Find the points on the wall template labeled "D", "E", "F", and "G". Drill a 3/16" diameter hole at the points that are over a wall stud and a 3/4" diameter hole at the points that are over drywall.

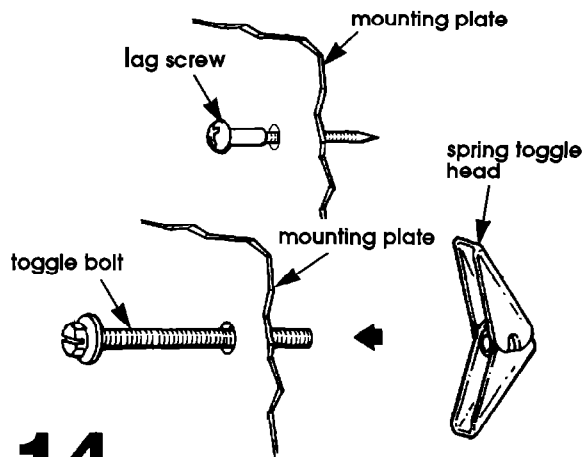
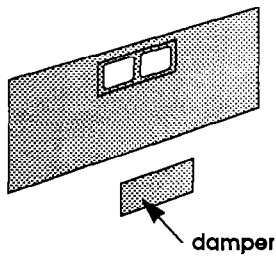
**8.** Cut out or drill a 2" diameter hole at the area marked "M", "power supply cord hole" on the upper cabinet template. If upper cabinet is metal, install power supply cord bushing around the edge of hole to prevent damage to the cord from the rough metal edge.

**9.** Determine which venting method (roof-venting, wall-venting, or ventless) you need to use. This microwave oven is manufactured for ventless (recirculating) installation. Make adjustments to microwave oven if wall- or roof-venting installation is needed. See "Venting preparation," Panel C.

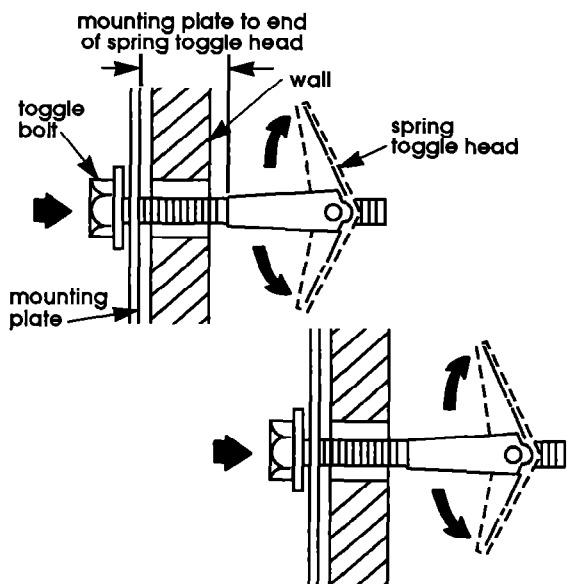
**12. Roof venting:** Do Not install ductwork at this time. Go to Step 14.

**Wall venting:** Install ductwork through the vent opening in the wall. Complete the venting system through the wall according to the method needed. See "Venting requirements" and "Venting preparation," Panels B and C. Use caulking to seal exterior wall opening around exhaust cap.

**13. If wall-venting installation is used,** attach damper to rear of mounting plate. Align 3-1/4" x 10" duct with damper and see that damper moves freely.



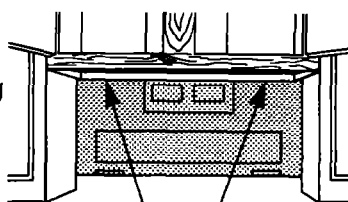
**14.** Insert lag screws (wall stud) or toggle bolts (drywall) through the holes on the mounting plate where the mounting plate will be attached to wall stud or drywall at holes "D", "E", "F", "G", "H" and "I".



Attach a spring toggle head to the end of each toggle bolt. Leave at least one wall thickness of space between the mounting plate and the end of the spring toggle head so that the spring toggle head can properly open on the other side of the wall.

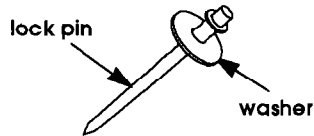
**15.**

Position mounting plate on the wall making sure that top of mounting plate is against bottom of cabinet or bottom of cabinet frame. Start the lag screws through the wall-stud holes and/or insert toggle bolts and spring toggle heads through drywall holes. Tighten screws and/or bolts to secure mounting plate to wall. Check that center of bracket is secured to wall.



Make sure top of mounting plate is against bottom of cabinet or cabinet frame.

**16.** Slide washer onto lock pin and set inside upper cabinet.

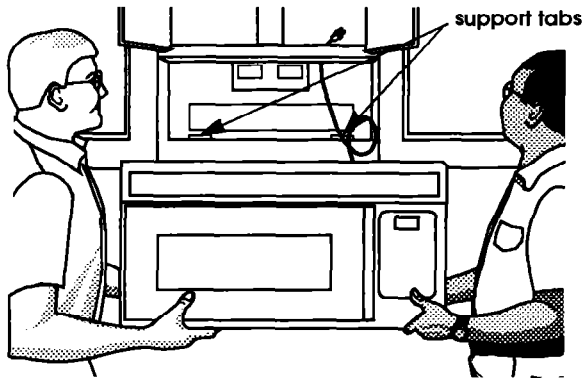


## WARNING

### Personal Injury or Property Damage Hazard

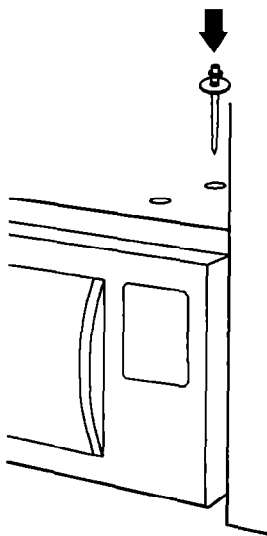
- Two people are required to lift this microwave oven.
- Lift microwave oven and hang on support tabs on bottom of mounting plate brackets. Hold microwave oven in place and secure to upper cabinet with the lock pin and washer.

Failure to follow these instructions could result in personal injury and/or property damage.

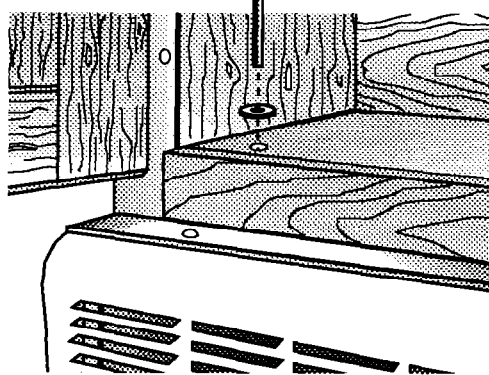


**17.** Carefully lift microwave oven and hang it on support tabs at the bottom of the mounting plate. Thread power supply cord through the power supply cord hole in the bottom of the upper cabinet.

**18.** Rotate microwave upward so that top of oven is against bottom of upper cabinet or cabinet frame.

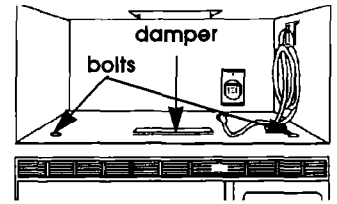


**19.** Drop the lock pin and washer assembly into hole "N" and push pin down as far as it will go.



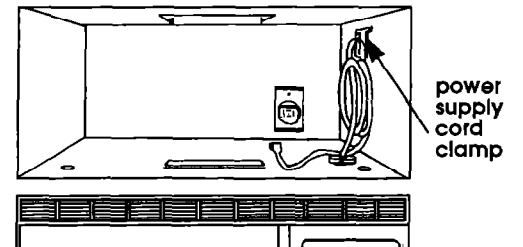
**20.** Place washers over two, 1/4" x 3" bolts. Then insert a bolt down through each hole in the upper cabinet bottom. Tighten the bolts until the gap between the upper cabinet and microwave oven is closed.

**21.** Remove locking pin and washer. If wall-venting or ventless installation is used, go to Step 24.



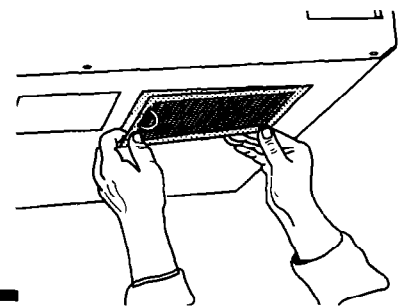
**22. Roof-venting installation:** Align the damper/duct connector with the vent on top of the microwave oven. Damper should be on top of tab. Use two tapping screws (bright-colored) to attach damper/duct connector to the microwave oven.

Note: Damper/duct connector must be attached to microwave oven **after** microwave oven is installed.



**23. Roof-venting installation:** Install ductwork through the vent opening in the upper cabinet. Complete the venting system through the roof according to the method needed. See "Venting requirements" and "Venting preparation," Panels B and C. Use caulking to seal exterior roof opening around exhaust cap.

**24.** Install power supply cord clamp, using screw as shown in Step 23, to inside of the cabinet. Use power supply cord clamp to bundle the power supply cord.



**25.** Grasp filter screen with one hand holding the ring and the other hand holding the opposite end. Insert the end of the filter screen without ring into the opening and slide towards the center of the microwave oven. Insert ring end of filter screen into the opening and slide entire screen towards the side of the microwave until screen is securely in position. Repeat for other filter screen.

**26.** Plug in the power supply cord.

**27.** Read your Use and Care Guide, then check the operation of your microwave oven.

You have just finished installing your new microwave oven. To get the most efficient use from your new microwave oven, read your Use & Care Guide. Keep Installation Instructions

**Congratulations!**

and Guide close to microwave oven for easy reference. The instructions will make reinstalling your microwave oven in another home as easy as the first installation.

## If microwave oven does not operate...

- Check that the circuit breaker is not tripped or the house fuse blown.
- Check that the power supply cord is plugged into the wall receptacle.
- See Use and Care Guide for troubleshooting checklist.

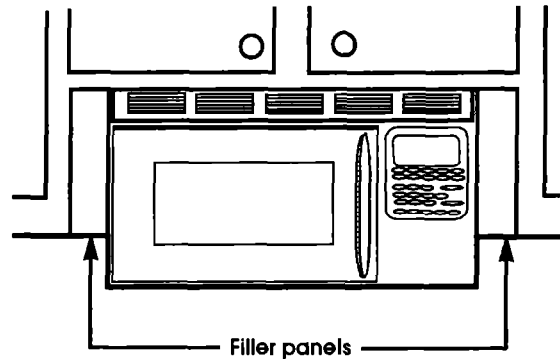
## If you need assistance...

Check your Use and Care Guide for a toll-free number to call, or call the dealer from whom you purchased this appliance. The dealer is listed in the Yellow Pages of your phone directory under "Appliances - Household - Major - Service and Repair." When you call, you will need the microwave oven model and serial number. Both numbers can be found on the model/serial rating plate located behind the microwave oven door on the front frame of the microwave oven.

## Accessory kits

Accessory kit no. **4378403** - Almond  
**4158439** - White  
**4158311** - Black

Filler panel kits are available from your dealer to use when installing this microwave oven in a 36"- or 42"- wide opening. The filler panels come in pairs and each panel is 3" wide.



### Accessory kit no. 4358523

A smoke deflector kit for some models is available from your dealer to use when installing this microwave oven over cooking products with grill or griddle.

See your dealer for details.