

INSTALLATION MANUAL

SEALED GAS COOKTOP JGC8430 & JGC8536

JENN-AIR

403 WEST FOURTH STREET, NORTH • NEWTON, IA 50208

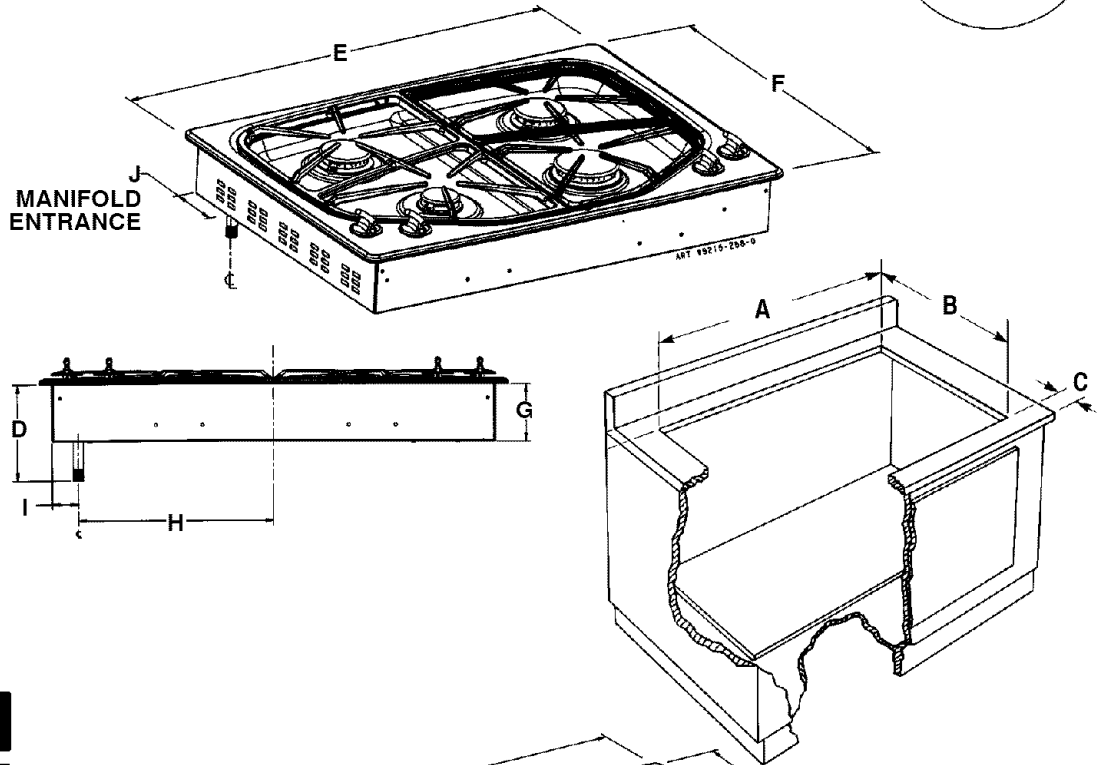
IMPORTANT: Dimensions Shown in Both Inches and Centimeters.

IMPORTANT: Be sure the appliance being installed is equipped for the gas to be supplied. Refer to serial plate on underside of burner box for this information. Do not attempt to convert this appliance for use with a gas other than the type specified.



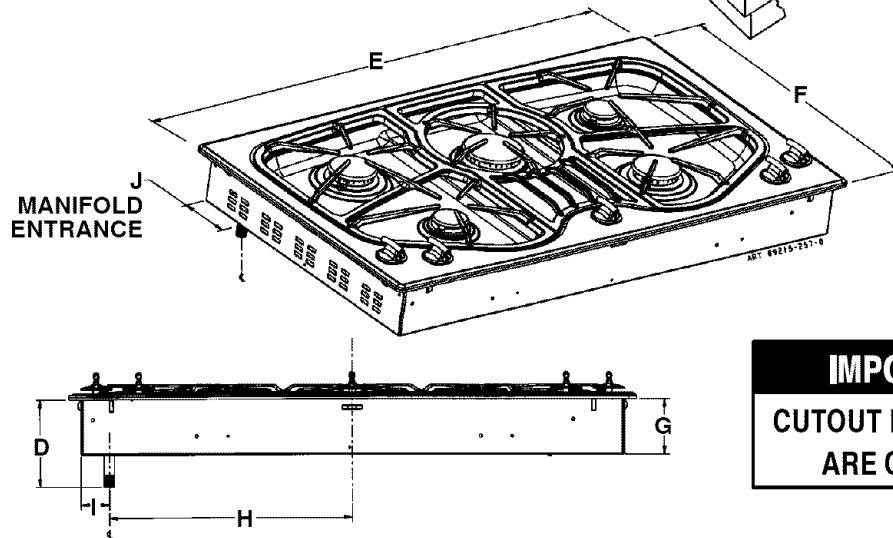
30" MODEL

JGC8430		
	Inches	cm
A	28 3/4 ± 1/16	73.03 ± .2
B	20 5/8 ± 1/16	52.39 ± .2
C	2 MIN	5.08 MIN
D	5 1/16	12.9
E	30	76.2
F	21 3/4	55.2
G	3 11/16	9.4
H	12 7/16	31.6
I	1 3/4	4.4
J	1 3/4	4.4



36" MODEL

JGC8536		
	Inches	cm
A	34 7/8 ± 1/16	88.58 ± 1/16
B	20 13/16 ± 1/16	52.86 ± 1/16
C	2 MIN	5.08 MIN
D	4 9/16	11.6
E	36	91.4
F	21 9/16	54.8
G	3 13/16	9.6
H	15 1/2	39.4
I	1 3/4	4.4
J	1 3/4	4.4



IMPORTANT
CUTOUT DIMENSIONS
ARE CRITICAL

SPECIAL WARNING

IMPROPER INSTALLATION, ADJUSTMENT, ALTERATION, SERVICE, MAINTENANCE OR USE OF RANGE CAN RESULT IN SERIOUS INJURY OR PROPERTY DAMAGE.

NOTICE TO INSTALLER: LEAVE THESE INSTRUCTIONS WITH THE APPLIANCE.

NOTICE TO CONSUMER: RETAIN THESE INSTRUCTIONS FOR FUTURE REFERENCE.

8101P643-60
(05-04-00)

Location Of Your Jenn-Air Appliance

Locate this appliance away from combustible materials such as window curtains and combustible wall decorations.

Minimum horizontal clearance between the edge of the appliance and combustible construction extending from the cooking surface to 18" (45.72 cm) above the cooking surface is:

- 3/4" (1.91 cm) at rear
- 8" (20.32 cm) at sides

(Dimensions apply to both 30" & 36" wide models).

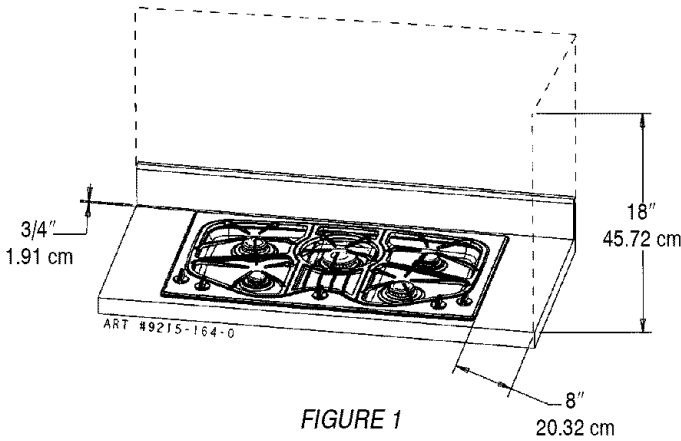
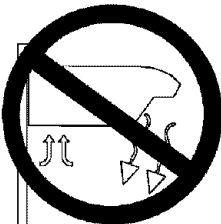


FIGURE 1

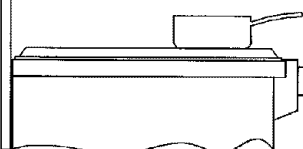
⚠ WARNING



THIS PRODUCT SHOULD NOT BE INSTALLED BELOW A VENTILATION TYPE HOOD SYSTEM THAT DIRECTS AIR IN A DOWNWARD DIRECTION.

(SEE FIGURE)

THESE SYSTEMS MAY CAUSE IGNITION AND COMBUSTION PROBLEMS WITH THE GAS BURNERS RESULTING IN PERSONAL INJURY AND MAY AFFECT THE COOKING PERFORMANCE OF THE UNIT.



ART # 9215-252

NOTE: THE FIGURE MAY NOT ACCURATELY REPRESENT YOUR RANGE OR COOKTOP; HOWEVER, THIS WARNING APPLIES TO ALL GAS COOKING PRODUCTS.

Preparation Of Countertop

The countertop cutout must be prepared according to the illustration on page 1 of these instructions.

CAUTION: Cutout dimensions are critical. Dimensions must be measured and cut accurately to within $\pm 1/16"$ (.159 cm) to ensure proper fit.

Important Preparation Suggestions

1. Chamfer all exposed edges of decorative laminate to prevent damage from chipping.
2. **Radius corners of cutout and file to insure smooth edges and prevent corner cracking. Recommend 1/4" or 3/8" diameter drill in each corner.**
3. Rough edges, inside corners which have not been rounded and forced fits can contribute to cracking of the countertop laminate.
4. Countertop must be supported within 3" (7.62 cm) of cutout.

Installing Cabinetry Over Your Jenn-Air Cooktop

A = 30" (76.2 cm) minimum vertical clearance between cooking surface and construction above the appliance. This clearance may be reduced to not less than 24 inches (60.96 cm) by protecting the underside of the combustible material or metal cabinet above the cooking surface with not less than 1/4 inch (.635 cm) insulating millboard covered with sheet metal not less than 0.0122 inch thick.

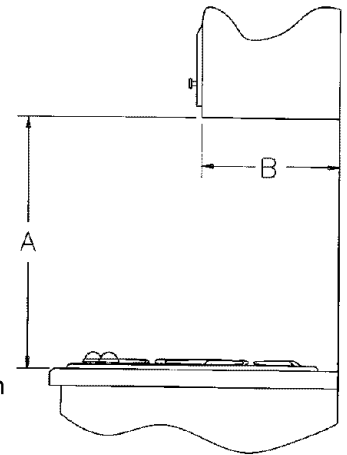


FIGURE 2

B = 13" (33.02 cm) maximum depth of cabinets installed above cooktop.

Avoid use of cabinets above cooktop for storage space to eliminate associated potential hazards such as reaching over open flames.

Required Adjustments At Time Of Installation

The installation of this appliance must conform with local codes, or in the absence of local codes, with the latest edition of the National Fuel Gas Code ANSI Z223.1 USA or current CAN/CGA-B149 INSTALLATION CODE.

- This appliance was manufactured for use with Natural Gas. If LP gas is the fuel of choice, follow the conversion to LP procedure found in the installation instructions.
- Test all external connections for gas leaks. Never test for gas leaks with an open flame.
- Test all electrical connections.

Check the cooktop serial plate to see if the cooktop is approved for installation in mobile homes and/or recreational park trailers. Serial plate is located on the bottom of the unit.

If approved, the following items are applicable:

Mobile Homes

The installation of a range designed for mobile home installation must conform with the Manufactured Home Construction and Safety Standard, Title 24 CFR, Part 3280 [formerly the Federal Standard for Mobile Home Construction and Safety, Title 24 HUD, (Part 280)] or, when such standard is not applicable, the Standard for Manufactured Home Installations, ANSI A225.1/NFPA 501A, or with local codes.

In Canada the range must be installed in accordance with the current CSA Standard C22.1 - Canadian Electrical Code Part 1 and Section Z240.4.1 - Installation Requirements for Gas Burning Appliances in Mobile Homes (CSA Standard CAN/CSA - Z240MH).

Recreational Park Trailers

The installation of a range designed for recreational park trailers must conform with state or other codes or, in the absence of such codes, with the Standard for Recreational Park Trailers, ANSI A119.5-latest edition.

In Canada the range must be installed in accordance with CAN/CSA - Z240.6.2 - Electrical Requirements for R.V.'s (CSA Standard CAN/CSA - Z240 RV Series) and Section Z240.4.2 - Installation Requirements for Propane Appliances and Equipment in R.V.'s (CSA Standard CAN/CSA - Z240 RV Series).

Installation Of Appliance

The installation of this appliance must conform with local codes or, in the absence of local codes, with the National Fuel Gas Code, ANSI Z223.1-Latest Edition, or, in Canada, CAN/CGA-B149 Installation Code, Latest Edition.

This appliance, when installed, must be electrically grounded in accordance with local codes or, in the absence of local codes, with the National Electrical Code ANSI/NFPA No. 70-Latest Edition, or, in Canada, current CSA Standard C22.1 Canadian Electrical Code, Part 1.

In The Commonwealth Of Massachusetts

This product must be installed by a licensed plumber or gas fitter when installed within the Commonwealth of Massachusetts.

A "T" handle type manual gas valve must be installed in the gas supply line to this appliance.

A flexible gas connector, when used, must not exceed a length of three (3) feet / 36 inches.

All supply piping, except as noted, should use common National Pipe Thread (N.P.T.). For all pipe connections use an approved pipe joint compound resistant to the action of LP gas.

CAUTION: Warranty is void on Jenn-Air equipment installed other than as recommended by manufacturer.

This appliance is designed for use with the appliance gas pressure regulator supplied with this appliance. It must be installed in the gas line ahead of the gas manifold entrance. It is preset for use with natural gas and must be converted, as described on pages 8, 9, and 10, for use with LP gas. (See figure 12.)

This appliance is designed to operate at a pressure of 5 inches of water column on natural gas or, if converted for use with LP gas (propane or butane), 10 inches water column. Make sure this appliance is supplied with and adjusted for the type of gas for which it is designed.

This appliance was adjusted at the factory for use with natural gas. If, at any time, this appliance is to be used with a different type of gas, all of the conversion adjustments described on pages 8, 9, and 10 must be made by a qualified service technician before attempting to operate the cooktop on that gas. Natural gas should be supplied to the appliance pressure regulator at a line pressure between 6 and 14 inches of water column or, if converted for LP gas, between 11 and 14 inches.

WARNING

If the line pressure supplying the appliance pressure regulator exceeds 14" W.C. (any gas), an external regulator must be installed in the gas line ahead of the appliance regulator to reduce the pressure to no more than 14" W.C. Failure to do this can result in malfunction and damage to the appliance.

Insure this appliance is adjusted for the type of gas supplied to it and that the gas supply pressure to the appliance regulator is within the proper pressure range.

- If no other appliance is to be installed in the cabinetry below this unit, proceed as instructed under paragraph 1, page 4.
- If this unit is to be installed over a Jenn-Air Model JJW8530, JJW9530 or JJW8130 Electric Wall Oven proceed as instructed under paragraph 2, page 5.

NOTE: In Canada, gas utilization codes prohibit use of street elbows. Use standard pipe elbows and make modifications to these instructions as necessary.

Connecting Appliance To Gas Supply

A QUALIFIED SERVICEMAN OR GAS APPLIANCE INSTALLER MUST MAKE THE GAS SUPPLY CONNECTION. Leak testing of the appliance shall be conducted by the installer according to the instructions given.

Gas supply piping MUST conform to all local, municipal and state building codes and local utility regulations.

1. IF NO OTHER APPLIANCE IS TO BE INSTALLED BELOW THIS COOKTOP

Join the appliance pressure regulator supplied with this appliance to the entrance threads of the Gas Manifold. The appliance regulator is marked with a directional arrow indicating correct direction of gas flow. Ensure the appliance regulator is installed with the arrow pointing toward the gas manifold entrance. Tighten the appliance regulator to 20 to 30 ft-lbs of torque.

IMPORTANT

Never tighten to more than 35 ft-lbs of torque. Always use an approved pipe joint compound resistant to the action of LP gas.

Install the appliance in its counter cutout, and position caps and grates on unit.

Make the gas connection to the inlet of the appliance pressure regulator with 1/2" NPT male pipe threads.

Install a manual shut-off valve in an accessible location in the gas line ahead of the appliance pressure regulator and external to this appliance for the purpose of turning on or shutting off gas to the appliance.

Make additional pipe connections as necessary ahead of the shut-off valve to the gas supply source. Assure all pipe joint connections are gas tight.

WARNING

Gas leaks may occur in your system and result in a dangerous situation. Gas leaks may not be detected by smell alone. Gas suppliers recommend you purchase and install an UL approved gas detector. Install and use in accordance with the manufacturer's instructions.

IMPORTANT

Apply a non-corrosive leak detection fluid to all joints and fittings in the gas connection between the supply line shut-off valve and the cooktop. Include gas fittings and joints in the cooktop if connections were disturbed during installation. Check for leaks! Bubbles appearing around fittings and connections will indicate a leak. If a leak appears, turn off supply line gas shut-off valve, tighten connections, turn on the supply line gas shut off valve, and retest for leaks. Never test for gas leaks with an open flame.

ILLUSTRATIVE GAS SUPPLY PIPING

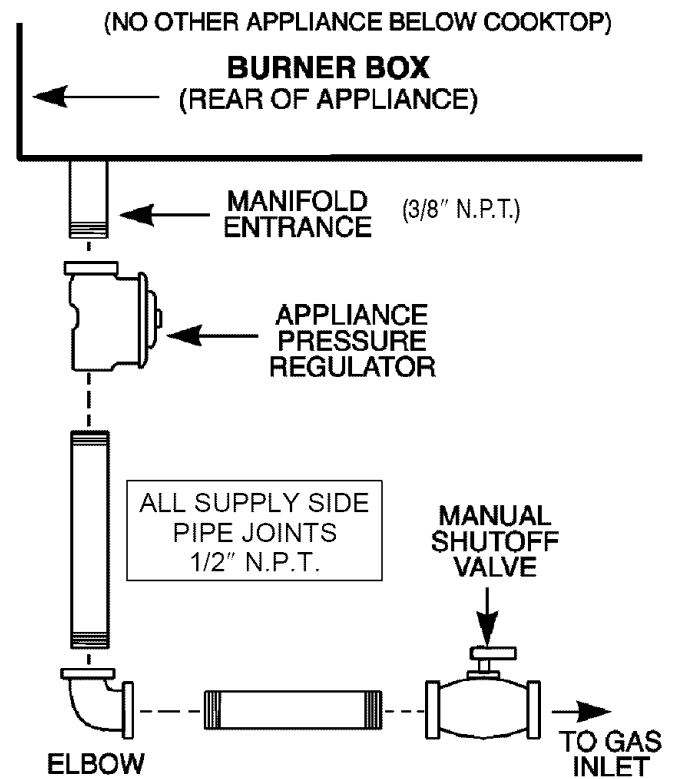


FIGURE 3

2. IF THIS UNIT WILL HAVE A JENN-AIR MODEL JJW8530, JJW9530 or JJW8130 ELECTRIC WALL OVEN INSTALLED BELOW THIS COOKTOP.

NOTE 1: This appliance and its gas and electrical supply sources must be installed before the wall oven is installed. See illustration (Electrical Wiring Information - page 7; figure 6) for recommended electrical supply source locations.

NOTE 2: It may be necessary to extend gas supply piping for this appliance into adjacent under-counter cabinetry when a wall oven is installed below this appliance.

Join a 3/8" NPT pipe elbow (locally available) to the male threads at the manifold entrance. When joined, ensure open threads of the elbow face toward the left side of the appliance. Install the appliance in its counter cutout.

Join a 3/8" NPT pipe nipple to the elbow using a pipe section of sufficient length to extend, horizontally, beyond the left side of the wall oven. (To accomplish this it may be necessary to extend the pipe section into adjacent cabinetry.) Join additional 3/8" NPT elbow(s) and pipe nipples, as necessary, to accomplish the following:

Join the outlet of the appliance pressure regulator supplied with this appliance to the male threads of the newly installed gas supply piping. Install the appliance regulator in a location which will be accessible beside or below the wall oven. Insure the appliance regulator is installed with its directional arrow pointing in the direction of gas flow. Tighten the appliance regulator to 20 to 30 ft-lbs of torque.

IMPORTANT

Never tighten to more than 35 ft-lbs of torque. Always use an approved pipe joint compound resistant to the action of LP gas.

Locate and join a manual shut-off valve in an accessible location in the gas line ahead of the appliance regulator and external to the appliance for the purpose of turning on or shutting off gas to the appliance.

Make additional pipe connections as necessary ahead of the shut-off valve to the gas supply source. Assure all pipe joint connections are gas tight.

IMPORTANT

Apply a non-corrosive leak detection fluid to all joints and fittings in the gas connection between the supply line shut-off valve and the cooktop. Include gas fittings and joints in the cooktop if connections were disturbed during installation. Check for leaks! Bubbles appearing around fittings and connections will indicate a leak. If a leak appears, turn off supply line gas shut-off valve, tighten connections, turn on the supply line gas shut off valve, and retest for leaks. Never test for gas leaks with an open flame.

ILLUSTRATIVE GAS SUPPLY PIPING
(WALL OVEN INSTALLED BELOW 30" COOKTOP)

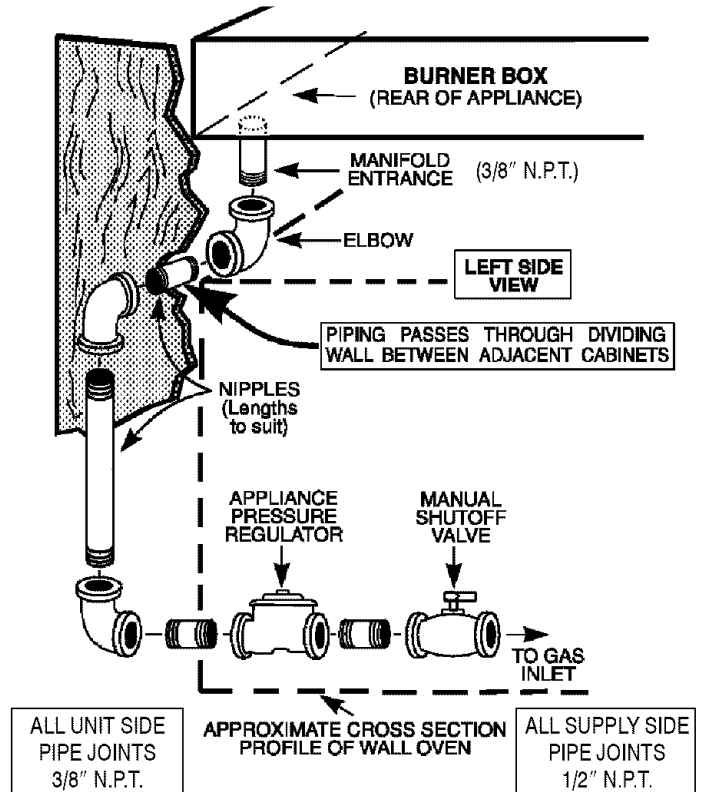


FIGURE 4

Note, regarding Figure 4, above:

- For convenience in service a union (not shown: locally available) should be included in the piping illustrated in figure 4, in a location most practical for the installation. Generally, a practical location is in the cabinet below this appliance, near the manifold entrance, rather than in an adjoining cabinet.
- If the alternative piping method shown in figure 5 is selected for the installation, no union is required. (The flexible appliance connector illustrated provides the union joints necessary for servicing.) When a dividing wall is present and a flexible connector is used it is recommended for convenience, in both installation and service, the flexible connector, itself, pass through the dividing wall. **Any flexible connector used with this appliance must satisfy all requirements stated in the text accompanying figure 5.**

Alternative Piping Methods To Connect Appliance To Gas Supply

A TRAINED SERVICEMAN OR GAS APPLIANCE INSTALLER MUST MAKE THE GAS SUPPLY CONNECTION. Leak testing of the appliance shall be conducted by the installer according to the instructions given.

Unless prohibited by local codes or ordinances, a new A.G.A. - Certified, flexible metal appliance connector may be used to connect this appliance to its gas supply. The connector must be no more than 5 feet in length. Per figure 5, use appropriate flare union adaptor at each end of the flexible connector. If a flexible connector is used assure that both the appliance pressure regulator and manual shut-off valve are joined solidly to other permanent hard piping (either gas supply or the appliance manifold) so as to be physically stationary. See illustrations below:

CAUTION: Do not attempt to attach the flexible connector directly to an external pipe thread. Connection requires flare union adapters.

IMPORTANT

Apply a non-corrosive leak detection fluid to all joints and fittings in the gas connection between the supply line shut-off valve and the range. Include gas fittings and joints in the range if connections were disturbed during installation. Check for leaks! Bubbles appearing around fittings and connections will indicate a leak. If a leak appears, turn off supply line gas shut-off valve, tighten connections, turn on the supply line gas shut off valve, and retest for leaks. Never test for gas leaks with an open flame.

Pressure Testing

The appliance must be isolated from the gas supply piping system by closing its individual manual shut-off valve during any pressure testing of the gas supply piping system at test pressures equal to or less than 1/2 PSIG (3.5 kPa).

This appliance, as well as its individual shut-off valve, must be disconnected from the gas supply piping system during any pressure testing of the system at test pressures in excess of 1/2 PSIG (3.5 kPa).

When checking appliance regulator function, make certain pressure of natural gas supply is between 6 and 14 inches of water column or, if converted for LP gas, between 11 and 14 inches.

ILLUSTRATIVE ALTERNATIVE PIPING

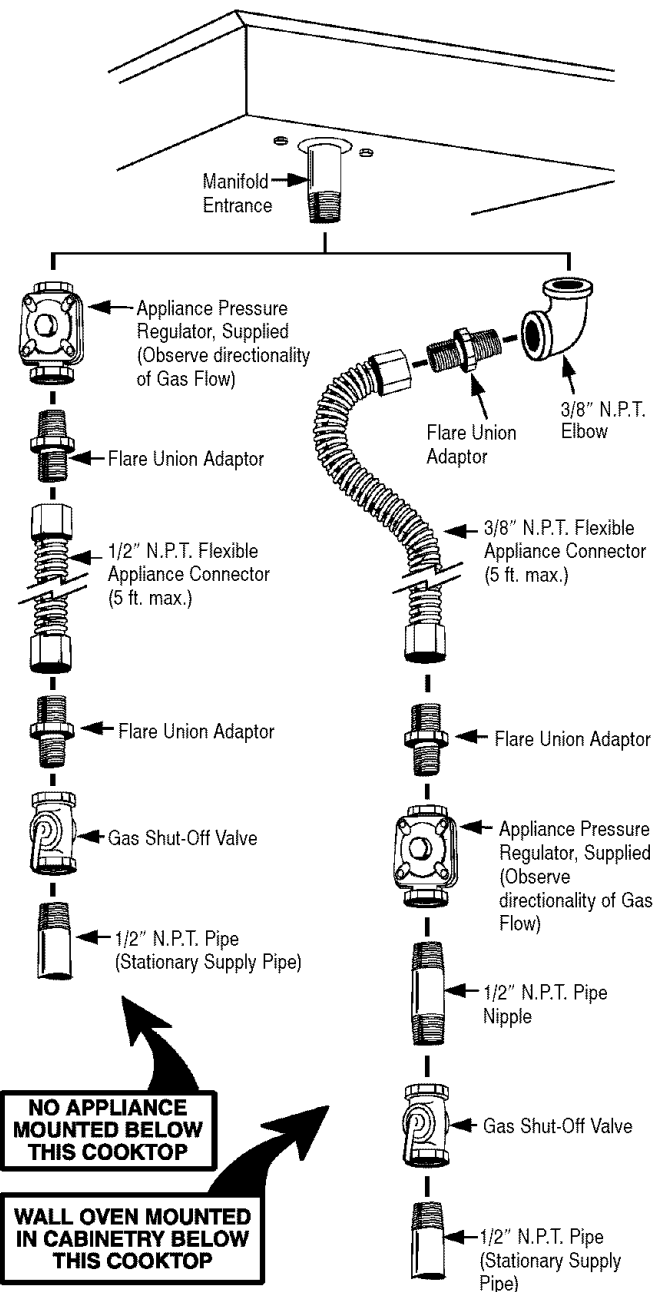


FIGURE 5

Electrical Wiring Information

This appliance is equipped with a grounded type power cord. A grounded outlet must be provided. It is recommended, for convenience, the outlet be located (with reference to figure 6) as in A or B.

- A. If no other appliance is to be installed below this appliance: within either the shaded area or the cross hatched area shown in figure 6.
- B. If a Model JJW8530, JJW9530 or JJW8130 Electric Wall Oven is to be installed below this appliance, either:
1. within the cross hatched area of figure 6, or,
 2. within an adjacent cabinet.

If a wall oven is to be installed below this appliance and the counter units outlet is to be mounted within the cross hatched area of figure 6:

1. The cabinet's lower front panel, below the oven, must be made removable for access to the outlet.
2. A clearance hole for the power cord's plug (1-1/4" (3.18 cm) dia is recommended) must be provided through the oven's floor support shelf and, if necessary, through the slats supporting the shelf. The clearance hole should be located as near as practical to the rear of the shelf.

If the outlet is to be mounted in either a left or right adjacent cabinet, a clearance hole, as described above, must be provided in the dividing wall between the cabinets. Figure 4; page 5, illustrates a typical (left side) dividing wall. The clearance hole (not shown in figure 4)

can be located as is convenient in this left wall or in the corresponding right wall.

In planning any installation, note that the free length of this appliance's power cord is 46" (117 cm). The power cord exits the bottom of the burner box from a point 2 1/4" (5.7 cm) left of the right wall of the burner box, and 1 9/16" (3.96 cm) forward of the rear wall of the burner box, when viewed from the front of the unit.

User may experience occasional circuit tripping if Ground Fault Circuit Interrupter (GFCI) outlet or breaker is in use.

WARNING

Electrical Grounding Instructions

This appliance is equipped with a (three-prong) grounding plug for your protection against shock hazard and should be plugged directly into a properly grounded receptacle. Do not cut or remove the grounding prong from this plug.

WARNING

THIS APPLIANCE MUST BE DISCONNECTED FROM ITS ELECTRICAL SUPPLY AT THE WALL RECEPTACLE BEFORE SERVICING THE APPLIANCE.

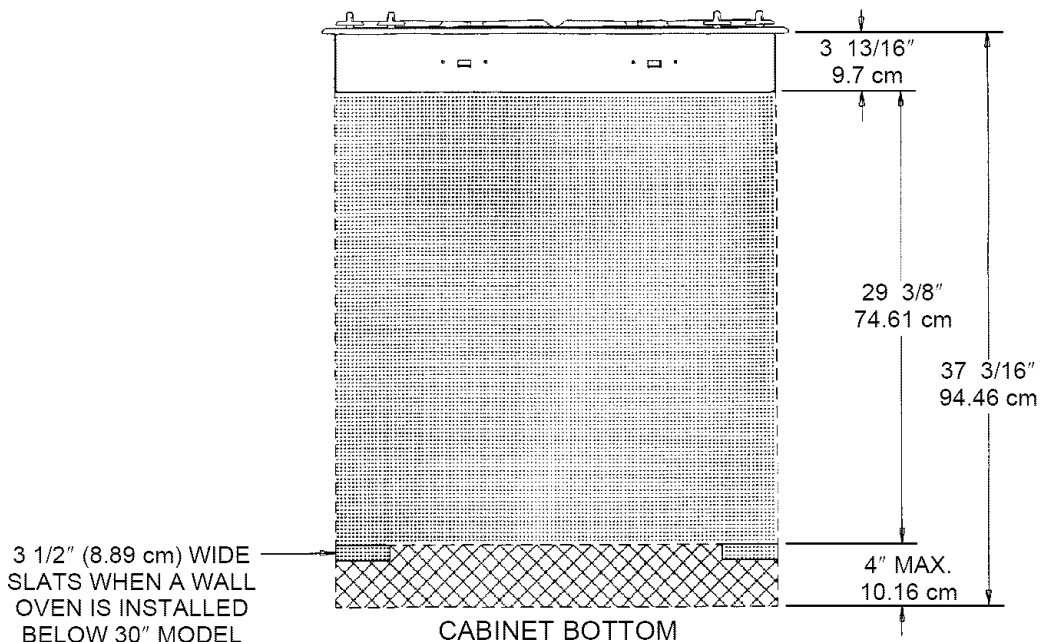


FIGURE 6

Converting Appliance For Use With LP Gas

⚠ WARNING

Propane conversion is to be performed by a JENN-AIR AUTHORIZED SERVICER (or other qualified agency) in accordance with the manufacturer's instructions and all codes and requirements of the authority having jurisdiction. Failure to follow instructions could result in serious injury or property damage. The qualified agency performing this work assumes responsibility for this conversion.

⚠ WARNING

Electrical power and gas must be turned off prior to conversion.

This appliance was adjusted at the factory for use with natural gas. To convert it for use with LP gas (propane or butane), each of the following modifications must be performed: (A, B, and C)

A. REPLACE ALL ORIFICE SPUDS

Step 1: Remove the grates and burner caps.

Step 2: Remove burner base by removing 2 (T-15) 6-lobe screws. (See figure 7). Leave spark wire attached to base.

Step 3: Firmly press 9/32" (or 7mm) **nut driver** over the orifice spud (figure 7) and loosen spud by turning counterclockwise. Carefully lift nut driver out of burner throat. Orifice spud should be captured in the recess. Repeat this step for each burner.

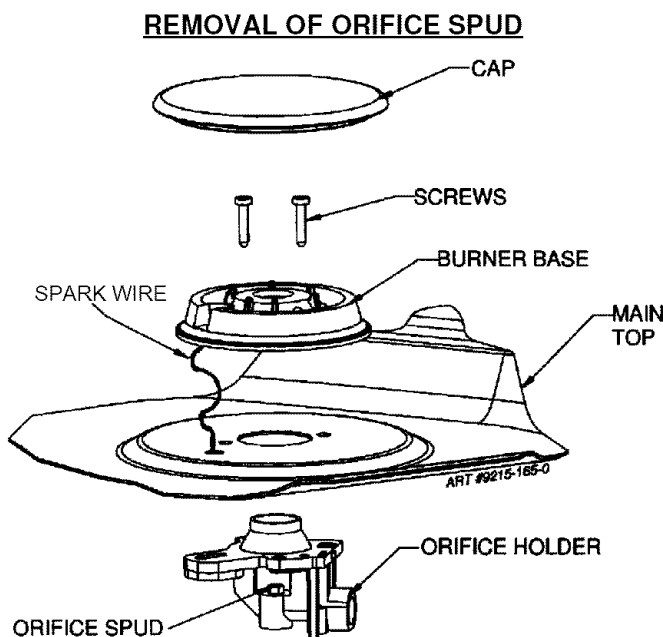


FIGURE 7

INSTALLATION OF LP ORIFICE SPUDS & CHOKES

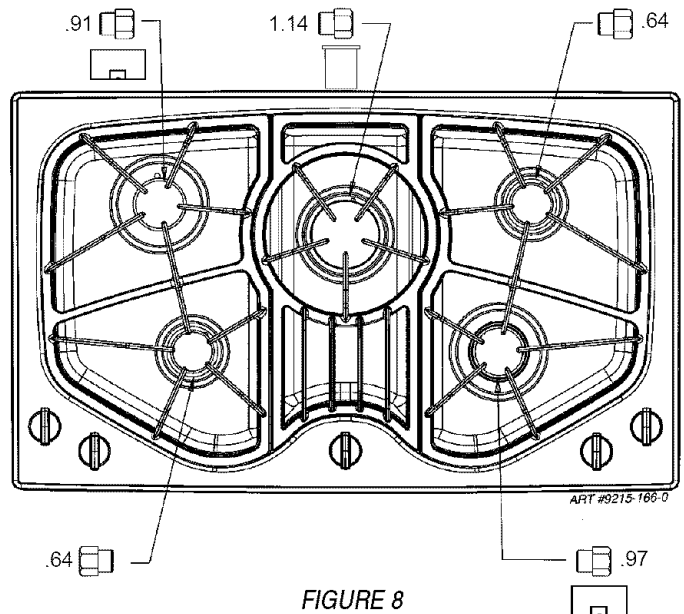


FIGURE 8

Step 4: Locate the LP orifice spud packet included in the literature packet. The spuds have small numbers stamped on the side. This number codes the orifice diameter and its correct burner location. Figures 8 and 9 show the correct LP orifice spud location. There will be extra spuds that are not required for the JGC8430 installation.

Step 5: Carefully install the orifice spud in the appropriate burner throat by turning clockwise to tighten. Tighten to a torque of 15 to 20 inch-lbs.

Step 6:

JGC8430 - 30" Unit - Place 9.1k/10.5k burner choke(s) into right rear and left rear (see figure 9) orifice holder with chamfer facing down (see figure 10).

JGC8536 - 36" Unit - Place 9.1k/10.5k burner choke(s) into right front and left rear orifice holder with chamfer facing down (see figure 10).

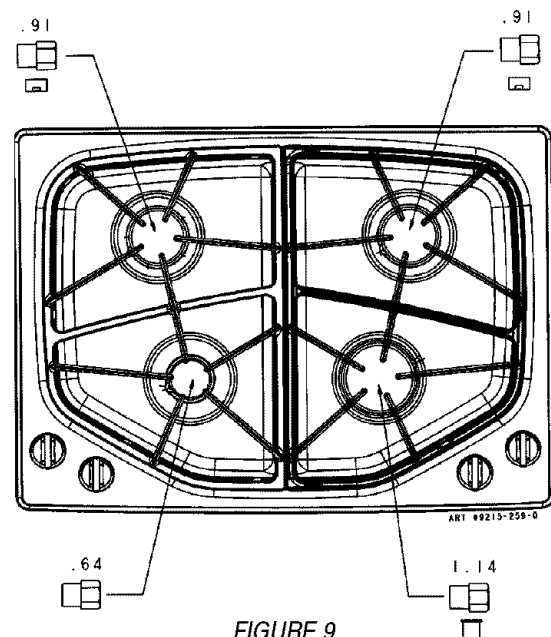
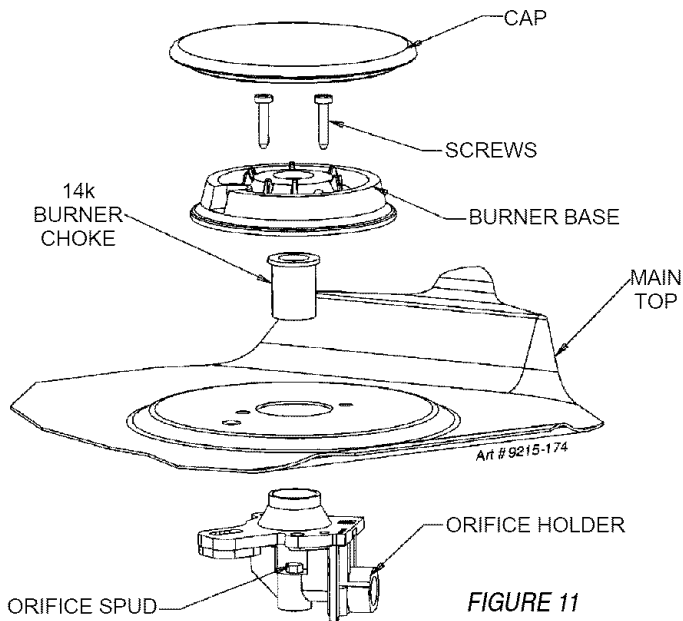
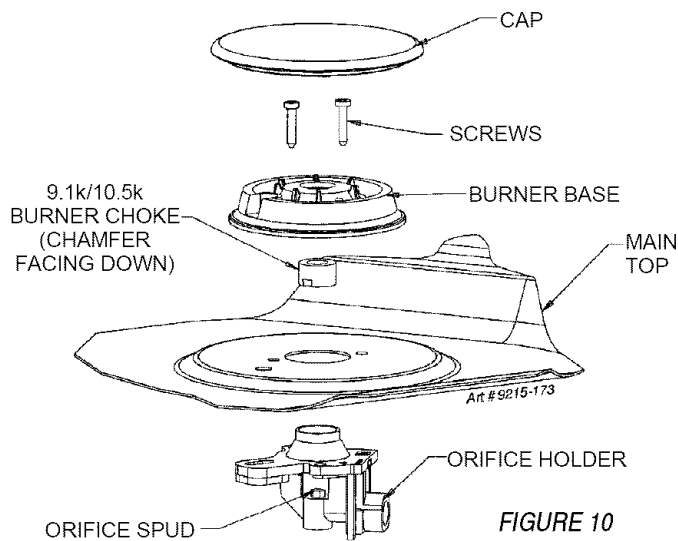


FIGURE 9

High Altitude Notice

The specified gas burner ratings typically apply to elevations up to 2000 feet. For higher altitudes, the rates may need to be reduced to achieve satisfactory operation. A local certified gas servicer will be able to advise if a reduction is necessary.



Step 7:

JGC8430 - 30" Unit - Place the 14k burner choke into the right front orifice holder (see figure 11).

JGC8536 - 36" Unit - Place 14k burner choke into center orifice holder (see figure 11).

Step 8: Replace burner base, caps, and grates. Tighten (T-15) 6-lobe screws (do not cross thread) to 25-30 in lbs.

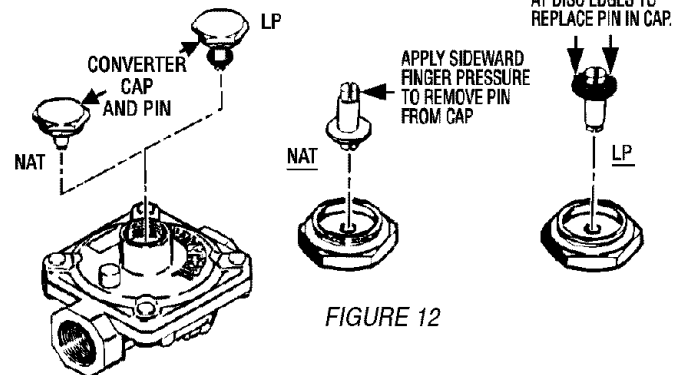
Step 9: Save the orifices removed from the appliance for future use.

Step 10: Sign and apply labels supplied in orifice kit to bottom of unit.

B. INVERT CAP IN APPLIANCE PRESSURE REGULATOR (See figure 12)

With the appliance installed, the appliance regulator should be located as shown in figure 3 or 4.

CONVERSION OF APPLIANCE PRESSURE REGULATOR



C. LOW FLAME ADJUSTMENT (See figure 13)

This appliance is shipped from the factory with low and high flame settings adjusted for use with natural gas. To set for use with LP proceed as follows:

1. Remove control knob from valve stem.

CAUTION: NEVER USE A METAL BLADE TO PRY KNOB OFF. IF KNOB CANNOT BE EASILY REMOVED, TUCK THE FOLDS OF A CLOTH DISHTOWEL UNDER THE KNOB AND PULL THE TOWEL UPWARD WITH STEADY, EVEN PRESSURE.

2. Carefully remove rubber grommet.
3. Locate the valve adjustment screw. See figure 13.
4. Insert a slender, thin-blade screwdriver into knob hole and engage blade with slot in adjusting screw.
5. Turn the adjusting screw clockwise until tight (5-7 in-lbs max.). Do not over tighten.
6. Replace rubber grommet and control knob.
7. Repeat for remaining burners.

VIEW THROUGH KNOB HOLE

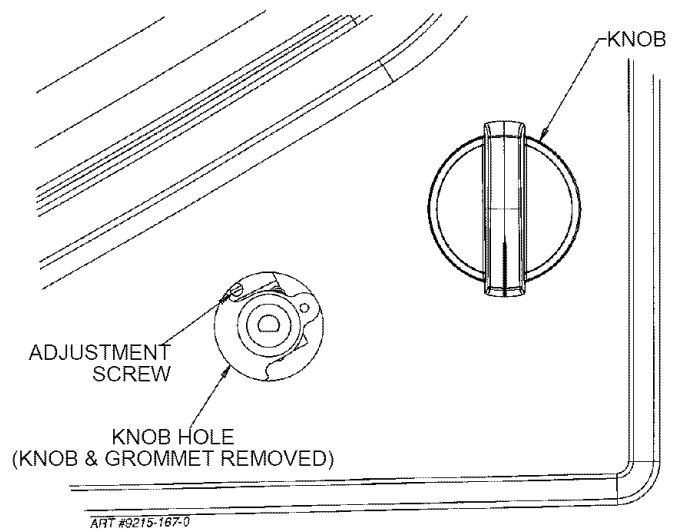


FIGURE 13

After the above operation, the burner will produce a stable, steady blue flame of minimum size. The setting should be checked by turning knob from high to low several times without extinguishing the flame.

The above operation will automatically provide the proper flame size at medium setting.

After Conversion Steps A, B and C have been completed, check the appearance of each burner flame at the Hi and Lo settings against figure 14. If the flames appear too large or too small, review each step to make sure it was completed correctly.

FLAME APPEARANCE AT HI AND LO

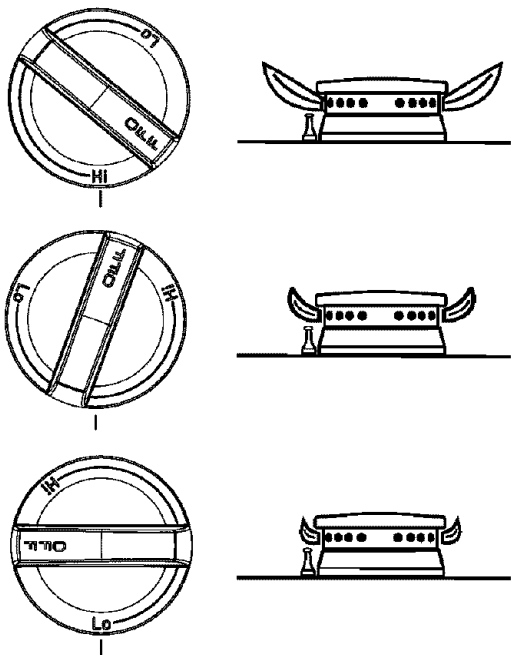


FIGURE 14

To Convert Appliance For Use With Natural Gas

⚠ WARNING

Electrical power and gas must be turned off prior to conversion.

If this appliance has been converted for use with LP gas, each of the following modifications must be performed to convert the unit back to natural gas.

A. REPLACE ALL ORIFICE SPUDS.

1. Perform Steps 1 and 2 on page 8.
2. **JGC8430 - 30" Unit** - Remove chokes from the left rear, right rear and right front orifice holders (see figures 10 and 11). As required a simple paper clip can be used to remove the left and right rear choke.
JGC8536 - 36" Unit - Remove chokes from the left rear, center and right front orifice holder (see figures 10

and 11). As required a simple paper clip can be used to remove the left front and rear choke.

3. Perform Step 3 on page 8.
4. For Step 5: Locate the brass natural gas orifice spuds that were originally installed in this appliance before its conversion for use with LP gas. Observe the number on each of the spuds and note the correct burner location for each spud as shown in figure 15 or 16.

Installation Of Natural Gas Orifice Spuds

4 BURNER MODEL (30" WIDE)

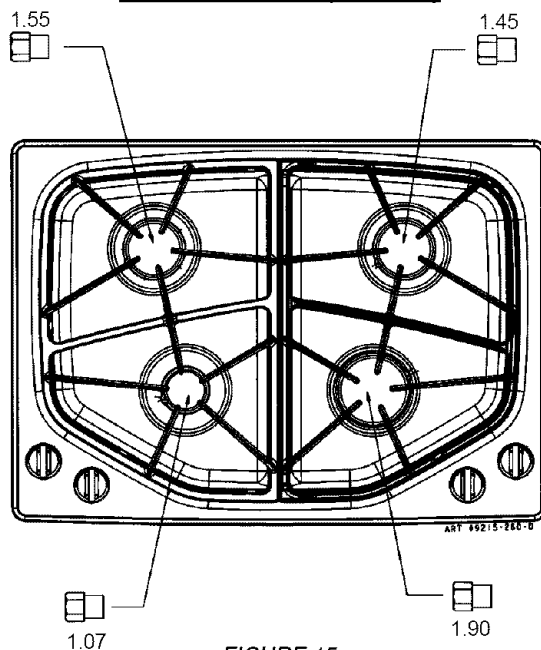


FIGURE 15

5 BURNER MODEL (36" WIDE)

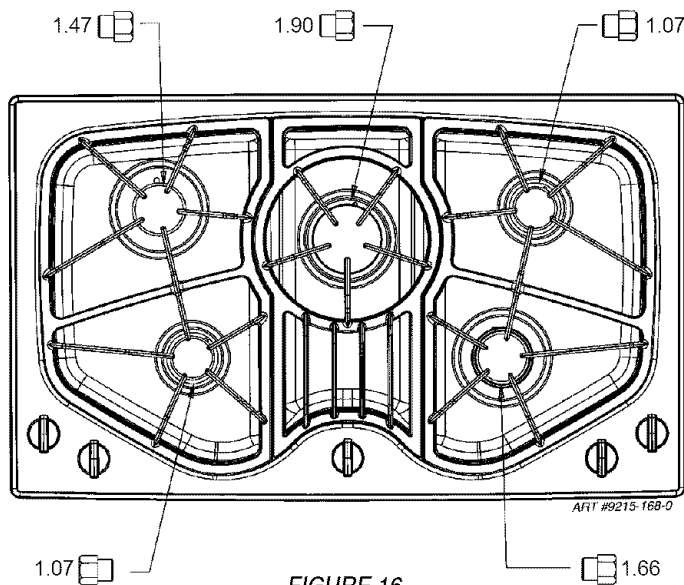


FIGURE 16

5. Complete Steps 5, 8 and 9 on pages 8 & 9 to complete the installation of natural gas main spuds in their correct locations.
6. Save the orifices & chokes removed from the appliance for future use. They will be needed if this appliance is again converted for use with LP gas.

B. INVERT CAP IN APPLIANCE PRESSURE REGULATOR. (See figure 12).

With the appliance installed the appliance regulator should be located as shown in either figure 3 or figure 4 (pages 4 & 5). Identify the type of appliance regulator and follow the instructions in the appropriate illustration.

C. RESET THE VALVES FOR NATURAL GAS

1. Light one burner, and set on low.
2. Remove the knob.
3. Remove the rubber grommets.
4. Locate the valve adjustment screw. See figure 13.
5. Insert a slender, thin-blade screwdriver into knob hole and engage blade with slot in adjusting screw.
6. Starting from the LP position (see #5 on page 9, under C. LOW FLAME ADJUSTMENT), turn the screw counter clockwise until the flame stabilizes and matches the pictured “low” setting on figure 14. Proper adjustment will produce a stable, steady blue flame of minimum size. The final adjustment should be checked by turning the knob from high to low several times without extinguishing the flame.

After Steps A, B and C have been completed, check the appearance of each burner’s flame at the Hi and Lo settings against figure 14. If the flames appear too large or too small, make sure all steps were completed correctly.

Burner Ignition And Auto-Reignition

This appliance is equipped for electronic auto-reignition by means of a spark igniter located at the rear of each burner. The burners are designed to light at any valve rotation that admits sufficient gas flow to support a flame and to automatically relight following a loss of flame due to a draft or other adverse condition. This feature is provided as a convenience and is not intended as a safety feature.

CAUTION: Never cover control knobs or surrounding control surface with utensils, towels, or other objects. Never obstruct free air passage past the control knobs. The knob openings have been sized to properly control air entry to the interior of the appliance during operation.

This appliance has no air shutters. Primary air adjustments are unnecessary. The burners are designed to provide optimum aeration for all gases without air shutters. When operating properly, burners should produce clearly defined, even blue flames. If the flames have yellow tips or are hazy and otherwise appear to have insufficient air, obtain the services of a qualified service technician. Some yellow tipping on LP gas is normal.

Specified input rates are as shown in figure 15 below.

4 BURNER 30" MODEL

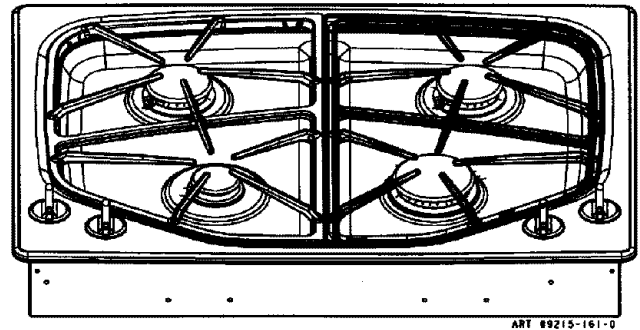


FIGURE 17

JENN-AIR 30" JGC8430		
Burner Location	Hi	Lo
Right Front	15,000 / 14,000	2,000 / 2,000
Right Rear	9,200 / 9,100	1,400 / 1,550
Left Front	5,000 / 4,000	650 / 850
Left Rear	10,500 / 9,100	1,450 / 1,550

5 BURNER 36" MODEL

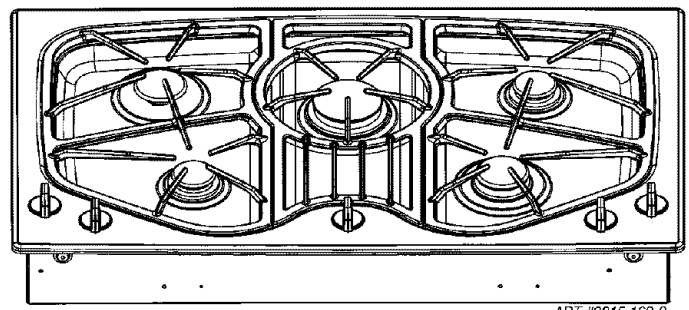


FIGURE 18

JENN-AIR 36" JGC8536		
BURNER LOCATION	Hi	Lo
Right Front	12,500 / 10,500	1450 / 1600
Right Rear	5,000 / 4,200	650 / 850
Left Front	5,000 / 4,200	650 / 850
Left Rear	9,200 / 9,100	1450 / 1550
Center	15,000 / 14,000	2000 / 2000

Holding Unit Down To Countertop Jenn-Air 30" Unit

IMPORTANT

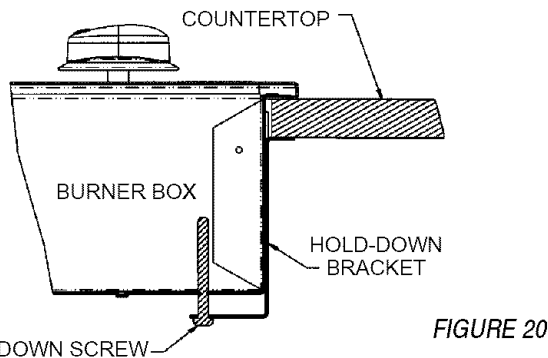
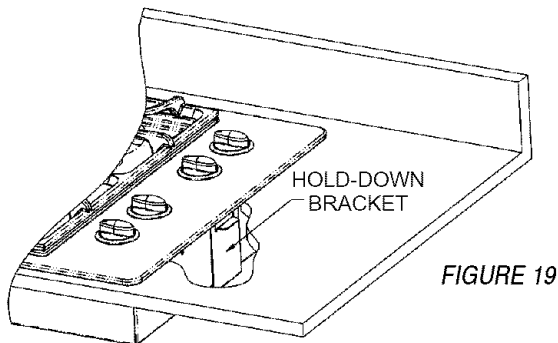
To hold the cooktop to the counter top, two hold down brackets have been provided. Utilize the hold-down brackets, one on the left and one on the right side of unit to secure the unit to the counter top. Additional hold-down brackets may be added to the front and/or rear. Contact your dealer or authorized service agency.

Position the cooktop in the cutout opening.

Open cabinet doors and locate screw holes at right and left side of unit bottom. Holes are half way between front and rear of unit and approximately 1 1/4" from each side.

Thread the long hold-down screws into the hold-down brackets.

Tighten hold-down screws to snug the unit top down against the counter top. See figures 19 and 20. **Do not overtighten.**



How To Remove Cooktop For Servicing

Follow this procedure to remove the cooktop for servicing:

1. Shut off gas supply to the cooktop.
2. Disconnect electrical supply to appliance, if equipped.
3. Disconnect gas supply tubing to appliance.
4. Remove tie down brackets. (See figure 19).
5. Reverse the procedure to reinstall. If gas line has been disconnected, check for gas leaks after reconnection.

NOTE: A qualified servicer should disconnect and reconnect the gas supply.

The servicer **MUST** follow installation instructions provided with the gas appliance connector and the warning label attached to the connector.

Jenn-Air 36" Unit

IMPORTANT

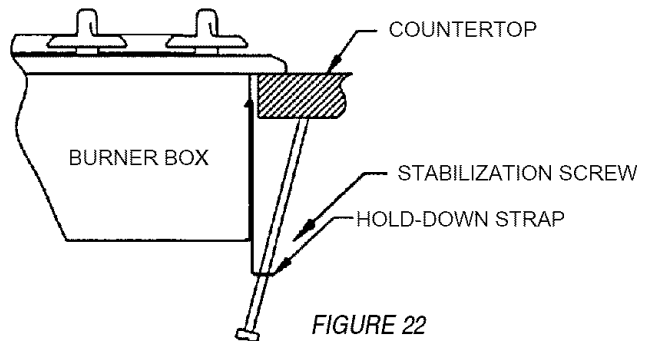
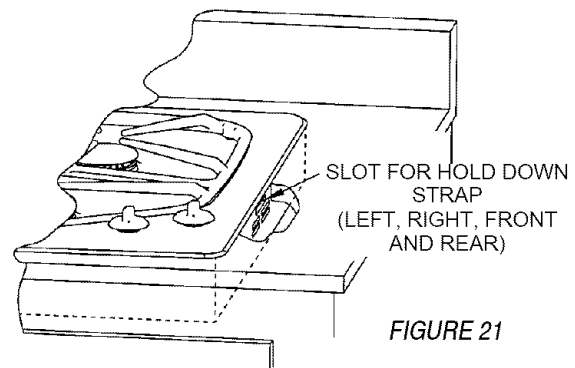
To hold the cooktop to the counter top, slots for hold down straps are located on all sides of the unit to accommodate alternate mounting configurations. Two hold down straps have been provided. Some counter top configurations may not allow enough access to the hold-down screws (and/or stabilization screws) on one or more sides of the unit. Utilize hold-down brackets and when possible stabilization screws, one on the left and one on the right side of unit to secure the unit to the counter top. Additional, hold-down brackets and stabilization screws may be added to the front and/or rear. Order part #12001977 from dealer.

Position the cooktop in the cutout opening.

Open cabinet doors, and hook the hold-down brackets into the slots provided in the burner box (see figure 21 and figure 22) and secure with short stabilization screw(s) provided. A 1/4" socket wrench or nut driver may be required to tighten short screws. **Do not overtighten.**

Thread the long hold-down screws into the hold-down brackets.

Tighten hold-down screws to snug the unit top down against the counter top. See figure 22. **Do not overtighten.**



Service-Parts Information

When your cooktop requires service or replacement parts, contact your dealer or authorized service agency. Please give the complete model and serial numbers of the unit located on the cooktop model number plate.

MANUAL DE INSTALACIÓN

SUPERFICIE SELLADA PARA COCINAR DE GAS JGC8430 Y JGC8536

JENN-AIR

403 WEST FOURTH STREET, NORTH • NEWTON, IA 50208 EE.UU.

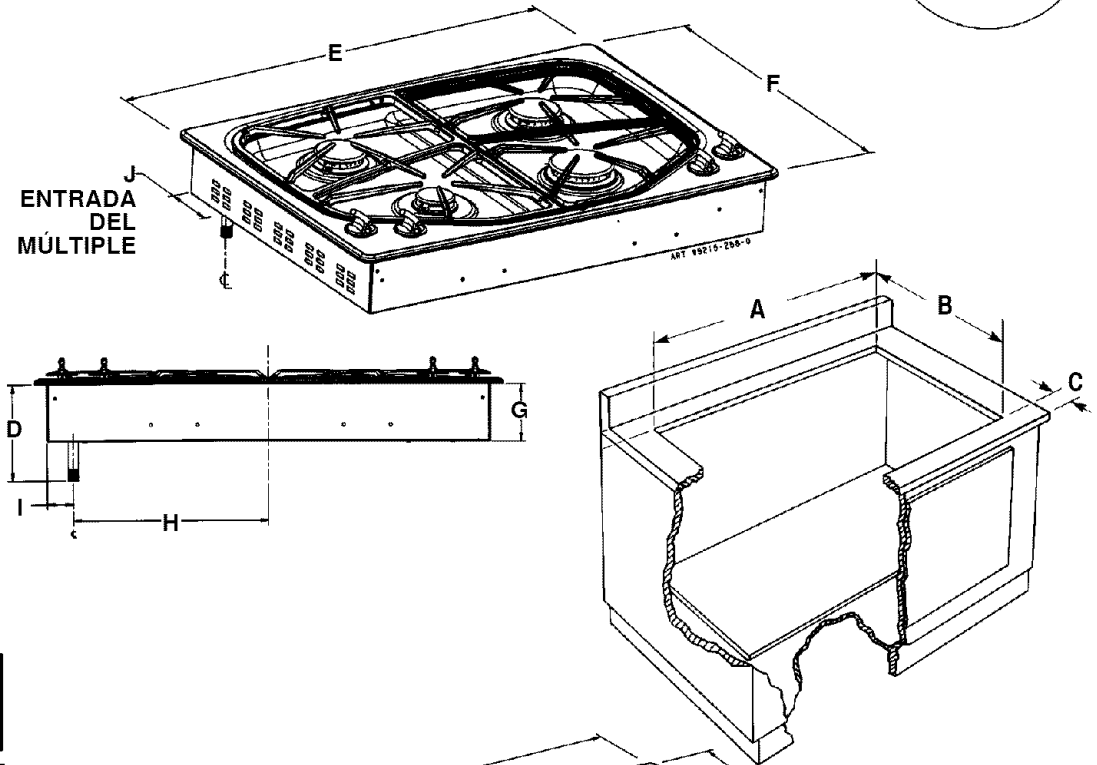
IMPORTANTE: Las dimensiones se muestran en pulgadas y centímetros.

IMPORTANTE: Asegúrese de que el electrodoméstico que se instalará esté equipado para el tipo de gas que se suministrará. Consulte la placa de datos adentro de la caja, por debajo de la caja de los quemadores para obtener esta información. No trate de convertir este electrodoméstico para usarlo con otro tipo de gas que no sea el especificado.



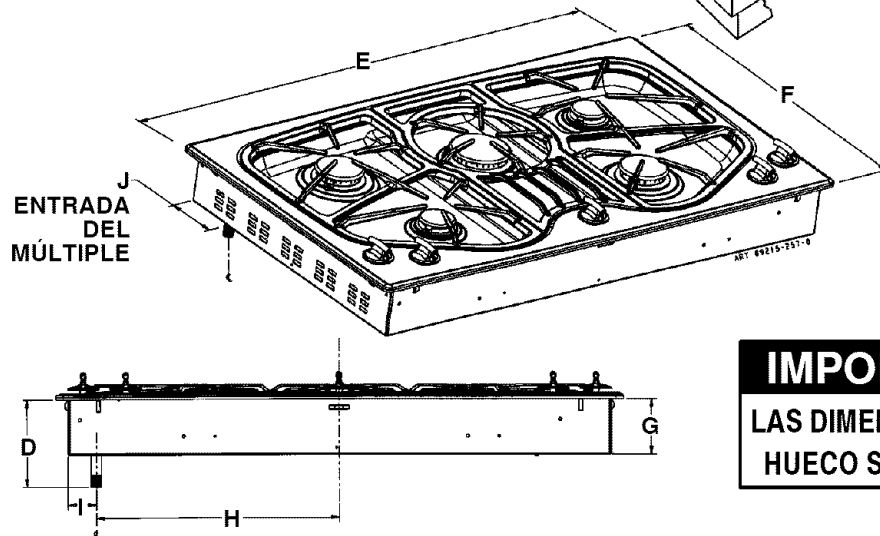
MODELO DE 76 CM (30")

JGC8430		
	Pulgadas	cm
A	28 3/4 ± 1/16	73.03 ± .2
B	20 5/8 ± 1/16	52.39 ± .2
C	2 MÍN	5.08 MÍN
D	5 1/16	12.9
E	30	76.2
F	21 3/4	55.2
G	3 11/16	9.4
H	12 7/16	31.6
I	1 3/4	4.4
J	1 3/4	4.4



MODELO DE 91 CM (36")

JGC8536		
	Pulgadas	cm
A	34 7/8 ± 1/16	88.58 ± 1/16
B	20 13/16 ± 1/16	52.86 ± 1/16
C	2 MÍN	5.08 MÍN
D	4 9/16	11.6
E	36	91.4
F	21 9/16	54.8
G	3 13/16	9.6
H	15 1/2	39.4
I	1 3/4	4.4
J	1 3/4	4.4



IMPORTANTE

**LAS DIMENSIONES DEL
HUECO SON VITALES**

ADVERTENCIA ESPECIAL

LA INSTALACIÓN, EL AJUSTE, LA ALTERACIÓN, EL SERVICIO, EL MANTENIMIENTO O EL USO INCORRECTOS DE LA ESTUFA PUEDEN CAUSAR LESIONES GRAVES O DAÑOS MATERIALES.

AVISO AL INSTALADOR: DEJE ESTAS INSTRUCCIONES CON EL ELECTRODOMÉSTICO.

AVISO AL CONSUMIDOR: CONSERVE ESTAS INSTRUCCIONES COMO REFERENCIA FUTURA.

Ubicación del electrodoméstico Jenn-Air

Coloque este electrodoméstico alejado de materiales combustibles como las cortinas de las ventanas y las decoraciones combustibles de las paredes.

El espacio libre mínimo horizontal entre el borde del electrodoméstico y la construcción combustible que se extienda de la superficie para cocinar a 45.72 cm (18") por encima de la superficie para cocinar es:

- 1.91 cm (3/4") en la parte posterior
- 20.32 cm (8") en los lados

(Las dimensiones se aplican a ambos modelos, el 76 y 91 cm [de 30 y 36 pulgadas] de ancho).

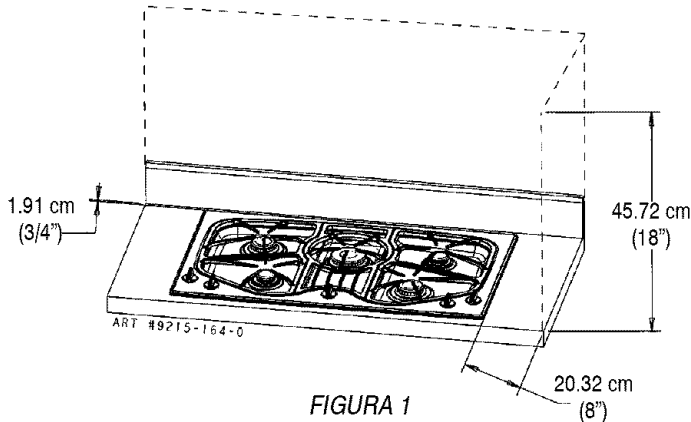
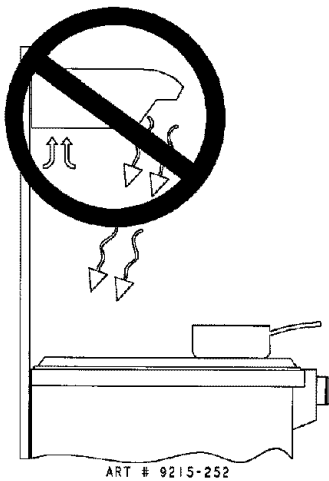


FIGURA 1

⚠ ADVERTENCIA



ESTE PRODUCTO NO DEBE INSTALARSE DEBAJO DE UNA CAMPANA DE VENTILACIÓN QUE DIRIJA EL AIRE EN UNA DIRECCIÓN HACIA ABAJO.

(VEA LA FIGURA)

ESTOS SISTEMAS DE VENTILACIÓN PUEDEN CAUSAR PROBLEMAS DE IGNICIÓN Y DE COMBUSTIÓN CON LOS QUEMADORES A GAS RESULTANDO EN LESIONES PERSONALES Y PUEDEN AFECTAR LA MANERA DE COCINAR DE LA UNIDAD.

NOTA: ES POSIBLE QUE LA FIGURA NO SEA UNA REPRESENTACIÓN EXACTA DE SU ESTUFA O DE SU SUPERFICIE PARA COCINAR; SIN EMBARGO, ESTA ADVERTENCIA SE APLICA A TODOS LOS ELECTRODOMÉSTICOS DE COCINA A GAS.

Preparación para el mostrador

El hueco del mostrador debe prepararse de acuerdo a la ilustración de la página 1 de estas instrucciones.

PRECAUCIÓN: Las dimensiones del hueco son vitales. Las dimensiones deben medirse y cortarse con precisión de entre ± 0.159 cm (1/16") para garantizar el ajuste correcto.

Sugerencias importantes de preparación

1. Achaflane todos los bordes expuestos del laminado decorativo para evitar que se astille.
2. **Redondee las esquinas del hueco y lijelas para garantizar que los bordes estén lisos y evitar que se quiebren las esquinas. Se recomienda usar una broca de 0.635 cm (1/4") ó 0.953 cm (3/8") de diámetro en cada esquina.**
3. Los bordes burdos en las esquinas interiores que no se hayan redondeado y los ajustes forzados pueden contribuir a que se quiebre el laminado del mostrador de la cocina.
4. El mostrador de la cocina debe estar apoyado a menos de 7.62 cm (3") del corte del hueco.

Instalación de los gabinetes por encima de la superficie para cocinar Jenn-Air

A = 76.2 cm (30") de espacio vertical mínimo entre la superficie para cocinar y la construcción encima del electrodoméstico. Este espacio libre no puede reducirse a menos de 60.96 cm (24 pulgadas) si se protege la parte inferior del material combustible o del gabinete de metal que se encuentre encima de la superficie para cocinar con no menos de 0.635 cm (1/4") de cartón grueso aislante recubierto con una hoja de metal de no menos de 0.0122 pulgadas de ancho.

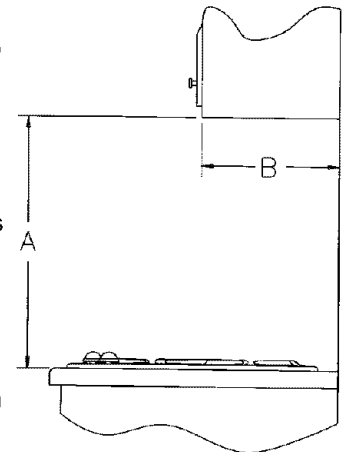


FIGURA 2

B = 33.02 cm (13") de profundidad máxima de los gabinetes instalados en la parte superior de la superficie para cocinar.

Evite usar los gabinetes que están encima de la superficie para cocinar a fin de eliminar los peligros potenciales como alcanzar algo por encima de las llamas encendidas.

Ajustes necesarios al momento de la instalación

La instalación de este electrodoméstico debe estar en conformidad con los códigos locales, o en caso que no existan, con la última edición del Código Nacional de Gas Combustible ANSI Z223.1 o el CÓDIGO DE INSTALACIÓN actual CAN/CGA-B149.

- Este electrodoméstico fue fabricado para usarse con gas natural. Si se elige usar gas LP, siga el procedimiento de conversión que se encuentra en las instrucciones de instalación.
- Revise todas las conexiones externas para verificar que no haya fugas. Nunca realice pruebas de fugas con llamas encendidas.
- Revise todas las conexiones eléctricas.

Lea la placa de datos de la superficie para cocinar para ver si está aprobada la instalación en casas móviles o vehículos recreativos. La placa de datos se encuentra en la parte inferior de la unidad.

Si está aprobada, se aplicarán los puntos siguientes:

Casas móviles

La instalación de una estufa diseñada para instalarse en una casa móvil debe estar en conformidad con la Norma de Construcción y Seguridad de Casas Prefabricadas, Título 24 CFR, Parte 3280 (anteriormente la Norma Federal para Construcción y Seguridad de Casas Móviles, Título 24 HUD, Parte 280) o, cuando dicha norma no corresponda, con la Norma para Instalaciones de Casas Prefabricadas, ANSI A225.1/NFPA 501A, o con los códigos locales.

En Canadá la estufa debe instalarse de acuerdo con la norma actual de CSA C22.1 —Código Eléctrico Canadiense Parte 1 y Sección Z240.4.1 —Requisitos de Instalación para Electrodomésticos que Consumen Gas en Casas Móviles (Norma CSA CAN/CSA —Z240MH).

Vehículos recreativos

La instalación de una estufa diseñada para vehículos recreativos debe estar en conformidad con los códigos estatales y similares, o en caso de no existir dichos códigos, con la última edición de la Norma para Vehículos Recreativos, ANSI A119.5.

En Canadá la estufa debe estar instalada de acuerdo con los Requisitos Eléctricos CAN/CSA —Z240.6.2 —para Vehículos Recreativos (Norma CSA CAN/CSA —Serie Z240 RV) y con la Sección Z240.4.2 —Requisitos de Instalación para Electrodomésticos y Equipo de Propano en Vehículos Recreativos (Norma CSA CAN/CSA —Serie Z240 RV).

Instalación del electrodoméstico

La instalación de este electrodoméstico debe estar en conformidad con los códigos locales o, si no existieran dichos códigos, con la última edición del Código Nacional de Gas Combustible, ANSI Z223.1 —o bien, en Canadá, con el Código de Instalación CAN/CGA B149.

Este electrodoméstico, cuando se instale, debe conectarse a tierra de acuerdo con los códigos locales, o en la ausencia de códigos locales, con la última edición del Código Nacional Eléctrico ANSI/NFPA No. 70 —o bien, en Canadá, con el Código Eléctrico Canadiense actual CSA Norma C22.1, Parte 1.

En el estado de Massachusetts

Este producto debe instalarlo un plomero certificado o un ajustador de gas cuando se instale dentro del estado de Massachusetts.

Debe instalarse una válvula manual con asa tipo "T" en la tubería de suministro de gas al electrodoméstico.

Los conectores flexibles de gas, cuando se usen, no deben sobrepasar una longitud de 91.44 cm (36").

Toda la tubería de suministro, excepto según se especifique, deberá usar tubería de rosca nacional (National Pipe Thread, NPT). En todas las conexiones de la tubería use un compuesto de uniones aprobado que sea resistente a la acción del gas LP.

PRECAUCIÓN: La garantía queda anulada en los equipos Jenn-Air instalados de otra manera que no sea la recomendada por el fabricante.

Este electrodoméstico está diseñado para usarse con el regulador de presión de gas provisto con él. Debe instalarse en una tubería de gas más delante de la entrada del múltiple de gas. Está previamente ajustado para uso con gas natural y debe convertirse, como se indica en las páginas 8, 9 y 10 para usarse con gas LP. (Vea la figura 12.)

Este electrodoméstico está diseñado para operar a una presión de 5 pulgadas de columna de agua en gas natural o, si se convierte a gas LP (propano o butano), de 10 pulgadas de columna de agua. Asegúrese de que este electrodoméstico reciba el suministro del gas para el cual se diseñó y ajustó.

Este electrodoméstico se ajustó de fábrica para usarse con gas natural. Si en algún momento, este electrodoméstico se usará con un tipo diferente de gas, deberán realizarse todos los ajustes mencionados en las páginas 8, 9 y 10 mediante un técnico calificado de servicio antes de tratar de operar la superficie para cocinar con ese gas. El gas natural deberá suministrarse al regulador de presión a una presión de tubería de entre 6 y 14 pulgadas de columna de agua o, si se convirtió a gas LP, a entre 11 y 14 pulgadas.

ADVERTENCIA

Si la presión de la tubería que surte al regulador de presión sobrepasa las 14" de columna de agua (con cualquier gas), deberá instalarse un regulador externo en la tubería de gas antes del regulador para reducir la presión a no más de 14" de columna de agua. No hacer esto podría causar un mal funcionamiento y daños a la unidad.

Asegúrese de que este electrodoméstico esté ajustado al tipo de gas que se surtirá y que la presión de suministro de gas al regulador de presión esté dentro de la escala de presión adecuada.

- Si no se instalará ningún otro electrodoméstico en el gabinete debajo de esta unidad, continúe con el párrafo 1 de la página 4.
- Si esta unidad se instalará sobre un horno de pared eléctrico modelo JJW8530, JJW9530 o JJW8130 de Jenn-Air, proceda de acuerdo a las instrucciones del párrafo 2 en la página 5.

NOTA: En Canadá, los códigos de utilización de gas prohíben el uso de codos del sector. Use codos de tubería estándar y haga modificaciones a estas instrucciones según sea necesario.

Conexión del electrodoméstico al suministro de gas

LA CONEXIÓN DE GAS DEBE REALIZARLA UN TÉCNICO CALIFICADO DE SERVICIO O UN INSTALADOR DE ELECTRODOMÉSTICOS DE GAS. Las pruebas de fugas del electrodoméstico deberá realizarlas el instalador de acuerdo con las instrucciones proporcionadas.

La tubería del suministro de gas DEBE estar en conformidad con todos los códigos locales, municipales y estatales de construcción y los reglamentos de servicios públicos locales.

1. SI NO SE INSTALARÁ NINGÚN OTRO ELECTRODOMÉSTICO DEBAJO DE ESTA SUPERFICIE PARA COCINAR

Una el regulador de presión provisto con este electrodoméstico a las roscas de entrada del múltiple de gas. El regulador del electrodoméstico está marcado con una flecha que indica la dirección correcta del flujo de gas. Verifique que el regulador esté instalado con la flecha orientada hacia la entrada del múltiple. Apriete el regulador a una torsión de 20 a 30 pies-libras.

IMPORTANTE

Nunca apriete a una torsión mayor de 35 pies-libras. Siempre use un compuesto de uniones de tubería aprobado que sea resistente a la acción del gas LP.

Instale el electrodoméstico en el hueco del mostrador y acomode las tapas y las rejillas en la unidad.

Haga la conexión de gas en la entrada del regulador de presión del electrodoméstico con una rosca exterior de tubería de 1/2" NTP macho.

Instale una válvula manual de cierre en un lugar accesible en la tubería de gas antes del regulador de presión y fuera del electrodoméstico para poder abrir y cerrar el gas al electrodoméstico.

Haga las conexiones adicionales de la tubería según sea necesario antes de la válvula de cierre a la fuente de suministro de gas. Verifique que todas las conexiones de las uniones de la tubería estén bien apretadas.

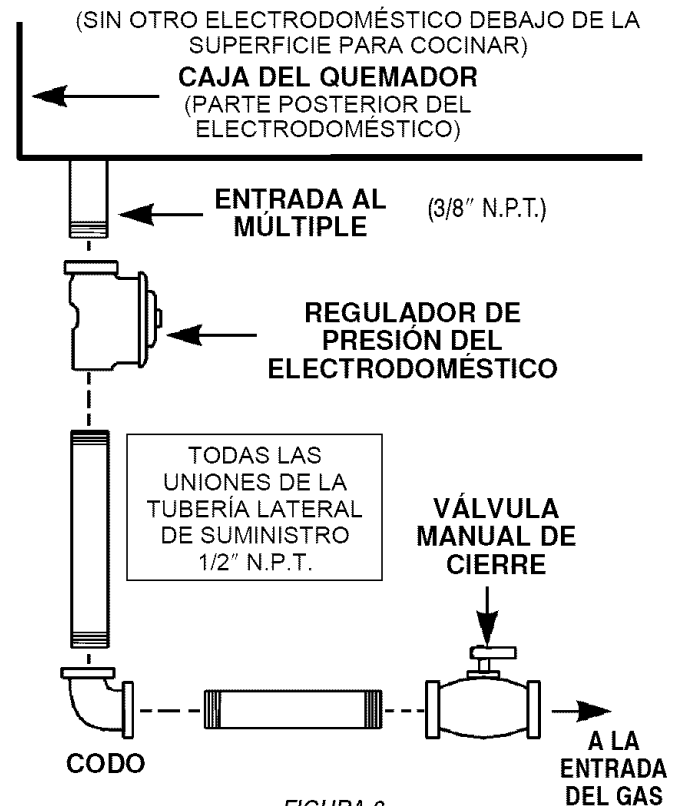
⚠️ ADVERTENCIA

Puede ocurrir un escape de gas en su sistema y provocar una situación peligrosa. Los escapes de gas no pueden ser detectados por el olor solamente. Los proveedores de gas recomiendan que compre e instale un detector de gas aprobado por el laboratorio UL. Instalelo y úselo de acuerdo con las instrucciones de fabricante.

IMPORTANTE

Aplique un fluido de detección de fugas anticorrosivo en todas las uniones y los accesorios en la conexión de gas entre la válvula de cierre de la tubería de suministro y la superficie para cocinar. Incluya los accesorios y las uniones de gas en la superficie para cocinar si se alteraron las conexiones durante la instalación. ¡Revise si existen fugas! Si aparecen burbujas alrededor de los accesorios y las conexiones significará que hay una fuga. Si aparece una fuga, cierre la válvula de suministro de la tubería de gas, apriete las conexiones, abra la válvula de cierre de la tubería de suministro de gas y vuelva a revisar las fugas. Nunca realice pruebas de fugas con llamas encendidas.

ILUSTRACIÓN DE LA TUBERÍA DEL SUMINISTRO DE GAS



2. SI SE INSTALARÁ EN ESTA UNIDAD UN HORNO DE PARED ELÉCTRICO, MODELO JJW8530, JJW9530 o JJ8130 DE JENN-AIR DEBAJO DE LA SUPERFICIE PARA COCINAR.

NOTA 1: Este electrodoméstico y sus fuentes de suministro eléctrico y de gas deben estar instalados antes de que se instale el horno de pared. Vea la ilustración (Información de cableado eléctrico —página 7, figura 6) para conocer las ubicaciones recomendadas del suministro eléctrico.

NOTA 2: Podría ser necesario tener que expandir la tubería del suministro de gas hasta debajo de los gabinetes del mostrador cuando se instale un horno de pared debajo de este electrodoméstico.

Un codo de tubería de 3/8" NPT (disponible localmente) a las roscas externas en la entrada del múltiple. Cuando estén unidos, asegúrese de que las roscas abiertas del codo estén orientadas hacia el lado izquierdo del electrodoméstico. Instale el electrodoméstico en el correspondiente hueco del mostrador.

Un niple de tubería de 3/8" NPT al codo usando una sección de tubo del largo suficiente para extenderse, horizontalmente, más adelante del lado izquierdo del horno de pared. (Para lograr esto podría ser necesario tener que extender la sección de tubería hacia dentro del gabinete adyacente.) Una codos adicionales de 3/8" NPT y niples de tubería, según sea necesario, para lograr lo siguiente:

Una el tomacorriente del regulador de presión provisto con el electrodoméstico a las roscas externas de la tubería del suministro de gas recién instalada. Instale el regulador en un lugar que sea accesible, a un lado o debajo del horno de pared. Asegúrese de que el regulador esté instalado con la flecha direccional apuntando en la dirección del flujo de gas. Apriete el regulador a una torsión de 20 a 30 pies-libras.

ILUSTRACIÓN DE LA TUBERÍA DEL SUMINISTRO DE GAS

(HORNO DE PARED INSTALADO DEBAJO DE LA SUPERFICIE PARA COCINAR DE 76.2 CM [30 PULG])

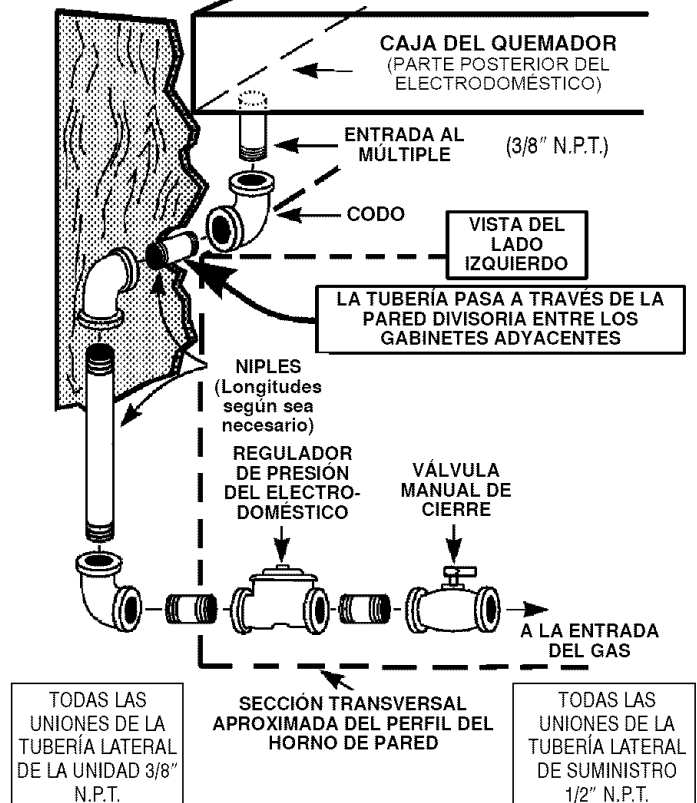


FIGURA 4

Nota, en relación a la Figura 4 anterior:

- Para comodidad al prestarle servicio una unión (no se muestra, disponible localmente) debería incluirse en la tubería ilustrada en la figura 4, en la ubicación más práctica para la instalación. Por lo general, un lugar práctico es en el gabinete que se encuentra debajo del electrodoméstico, cerca de la entrada del múltiple, en lugar de en el gabinete adyacente.
- Si se selecciona el método alternativo de tubería que se muestra en la figura 5 para la instalación, no se necesitará una unión. (El conector flexible del electrodoméstico proporciona las juntas de unión necesarias para darle servicio.) Cuando se tiene una pared divisoria y se usa un conector flexible, se recomienda por comodidad, tanto para la instalación como para el servicio, que el conector flexible, en sí, se pase a través de la pared divisoria. **Cualquier conector flexible que se use con este electrodoméstico debe satisfacer todos los requisitos mencionados en el texto que acompaña a la figura 5.**

IMPORTANTE

Nunca apriete a una torsión mayor de 35 pies-libras. Siempre use un compuesto de uniones de tubería aprobado que sea resistente a la acción del gas LP.

Coloque y adapte una válvula manual de cierre en un lugar accesible en la tubería de gas adelante del regulador de presión y fuera del electrodoméstico para poder abrir y cerrar el gas al electrodoméstico.

Haga las conexiones adicionales de la tubería según sea necesario antes de la válvula de cierre a la fuente de suministro de gas. Verifique que todas las conexiones de las uniones de la tubería estén bien apretadas.

IMPORTANTE

Aplique un fluido de detección de fugas anticorrosivo en todas las uniones y los accesorios en la conexión de gas entre la válvula de cierre de la tubería de suministro y la superficie para cocinar. Incluya los accesorios y las uniones de gas en la superficie para cocinar si se alteraron las conexiones durante la instalación. ¡Revise si existen fugas! Si aparecen burbujas alrededor de los accesorios y las conexiones significará que hay una fuga. Si aparece una fuga, cierre la válvula de suministro de la tubería de gas, apriete las conexiones, abra la válvula de cierre de la tubería de suministro de gas y vuelva a revisar las fugas. Nunca realice pruebas de fugas con llamas encendidas.

Métodos alternativos de tubería para conectar el electrodoméstico al suministro de gas

LA CONEXIÓN DE GAS DEBE REALIZARLA UN TÉCNICO CAPACITADO DE SERVICIO O UN INSTALADOR DE ELECTRODOMÉSTICOS DE GAS. Las pruebas de fugas del electrodoméstico deberá realizarlas el instalador de acuerdo con las instrucciones proporcionadas.

A menos que lo prohíban los códigos o los decretos locales, puede usarse un conector nuevo flexible de metal, AGA, certificado para conectar este electrodoméstico al suministro de gas. El conector no debe medir más de 1.52 m (5 pies) de largo. Según la figura 5, use el adaptador de unión de apertura adecuada en cada extremo del conector flexible. Si el conector flexible se usa verifique que tanto el regulador de presión como la válvula manual de cierre estén firmemente unidas a otra tubería dura permanente (ya sea el suministro de gas o el múltiple del electrodoméstico) para que esté físicamente fijo. Vea la ilustración a continuación:

PRECAUCIÓN: No trate de sujetar el conector flexible directamente a la rosca externa de la tubería. La conexión requiere adaptadores de unión de apertura.

IMPORTANTE

Aplique un líquido de detección de fugas que sea anticorrosivo en todas las uniones y los accesorios de la conexión de gas entre la válvula de cierre de la tubería de suministro y la estufa. Incluya los accesorios y las uniones de gas en la estufa si se alteraron las conexiones durante la instalación. ¡Revise si existen fugas! Si aparecen burbujas alrededor de los accesorios y las conexiones significará que hay una fuga. Si aparece una fuga, cierre la válvula de suministro de la tubería de gas, apriete las conexiones, abra la válvula de cierre de la tubería de suministro de gas y vuelva a revisar las fugas. Nunca realice pruebas de fugas con llamas encendidas.

Pruebas de presión

El electrodoméstico debe estar aislado del sistema de suministro de gas cerrando la válvula manual individual de cierre durante las pruebas de presión de ese sistema a presiones iguales o menores de 1/2 libra por pulgada cuadrada (3.5 kPa).

Este electrodoméstico y su válvula individual de cierre deben estar desconectados del sistema de suministro de gas durante las pruebas de presión del sistema a presiones que sobrepasen 1/2 libra por pulgada cuadrada (3.5 kPa).

Cuando se revise el funcionamiento del regulador del electrodoméstico, asegúrese de que la presión del suministro de gas natural esté entre 6 y 14 pulgadas de columna de agua o, si se convirtió a gas LP, entre 11 y 14 pulgadas.

ILUSTRACIÓN DE LA TUBERÍA ALTERNATIVA

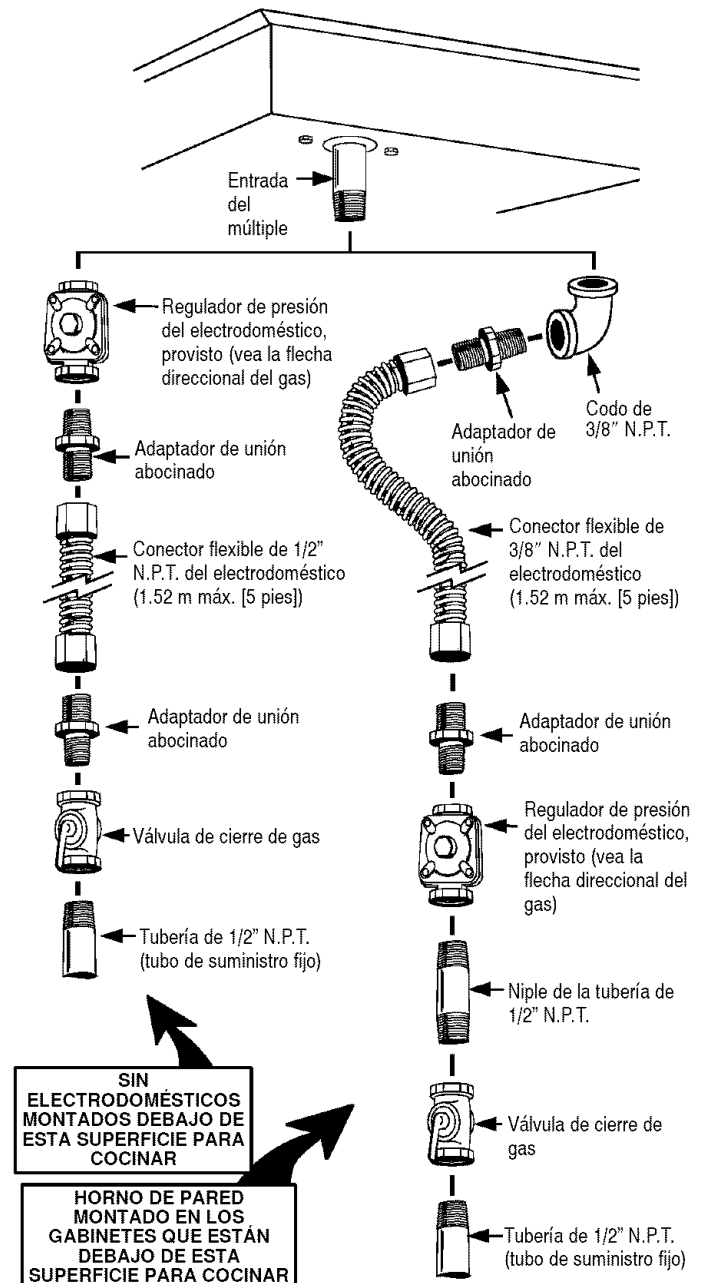


FIGURA 5

Información de cableado eléctrico

Este electrodoméstico está equipado con un cordón eléctrico de tipo de conexión a tierra. Debe proporcionarse un tomacorriente con conexión a tierra. Por comodidad, se recomienda que el tomacorriente esté ubicado (con referencia a la figura 6) como se muestra en A o B.

- Si no se instalará ningún otro electrodoméstico debajo de éste, dentro del área sombreada o cruzada que se muestra en la figura 6.
- Si se instalará un horno eléctrico de pared, modelo JJW8530, JJW9530 o JJW8130 debajo de este electrodoméstico:
 - dentro del área cruzada de la figura 6, o bien
 - dentro del gabinete adyacente.

Si se instalará un horno de pared debajo de este electrodoméstico y se montará el tomacorriente de las unidades del mostrador dentro del área cruzada de la figura 6:

- El panel delantero inferior del gabinete, debajo del horno, debe ser removible para tener acceso al tomacorriente.
- Debe proporcionarse un orificio para la clavija del cordón eléctrico (se recomienda de 3.18 cm [1 1/4"] de diámetro) a través de la repisa de apoyo del piso del horno y, si fuera necesario, a través de las ranuras que apoyan la repisa. El orificio libre debe estar ubicado tan cerca como sea práctico a la parte posterior de la repisa.

Si se montará el tomacorriente en el gabinete adyacente derecho o izquierdo, deberá proporcionarse un orificio de separación, como se describe anteriormente, en la pared divisora entre los dos gabinetes. La figura 4; página 5, ilustra una pared divisora típica (lado izquierdo). El orificio

de separación (no se muestra en la figura 4) puede ubicarse según sea conveniente en esta pared izquierda o en la pared derecha correspondiente.

Al planear cualquier instalación, tenga en cuenta que la longitud libre de este cordón eléctrico es de 117 cm (46"). El cordón eléctrico sale por debajo de la caja del quemador en un punto a 5.7 cm (2 1/4") a la izquierda de la pared derecha de la caja del quemador y a 3.96 cm (1 9/16") hacia delante de la pared posterior de la caja del quemador, cuando se ve desde el frente de la unidad.

Es posible que en ocasiones el usuario experimente desconexiones del circuito si el tomacorriente del interruptor del circuito contra fallas de conexión a tierra (GFCI) o el disyuntor está en uso.



ADVERTENCIA

Instrucciones eléctricas de conexión a tierra

Este electrodoméstico está equipado con una clavija de conexión a tierra (de tres puntas) para protegerlo contra el peligro de descargas eléctricas y debe conectarse directamente en un receptáculo debidamente conectado a tierra. No corte ni quite la punta de conexión a tierra de esta clavija.



ADVERTENCIA

ESTE ELECTRODOMÉSTICO DEBE ESTAR DESCONECTADO DEL SUMINISTRO ELÉCTRICO EN EL RECEPTÁCULO DE LA PARED ANTES DE DARLE SERVICIO A LA UNIDAD.

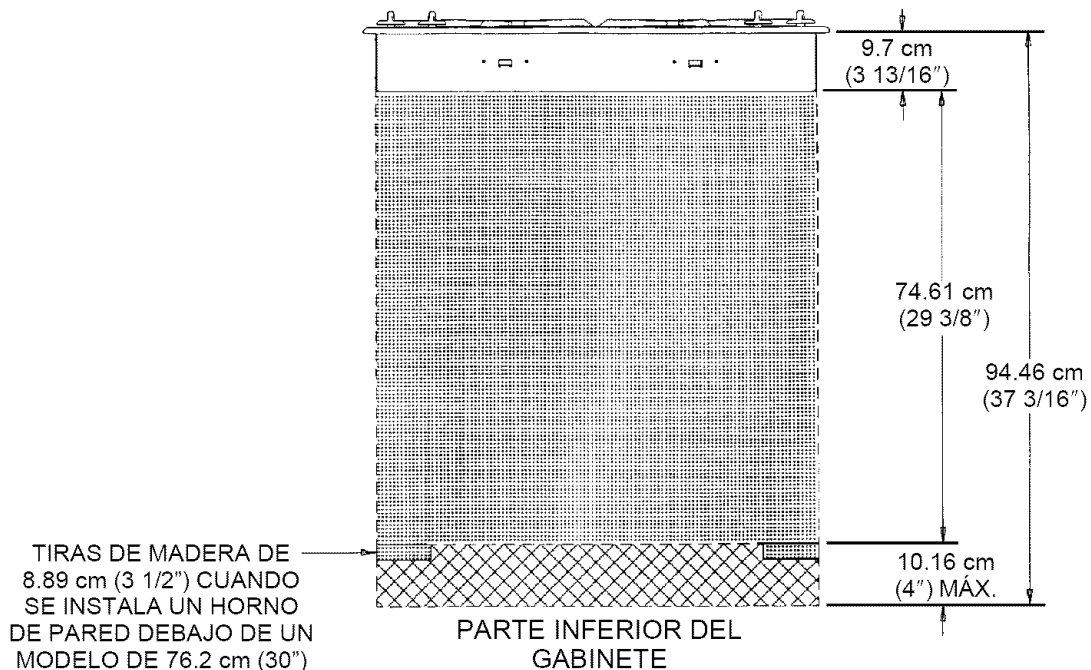


FIGURA 6

Conversión del electrodoméstico para usarse con gas LP

ADVERTENCIA

La conversión al gas propano debe realizarla un TÉCNICO AUTORIZADO DE SERVICIO DE JENN-AIR (u otra agencia calificada) de acuerdo con las instrucciones del fabricante y todos los códigos y requisitos de las autoridades que tengan jurisdicción. No seguir las instrucciones podría causar lesiones graves o daños materiales. La agencia calificada que realice el trabajo asumirá la responsabilidad de esta conversión.

ADVERTENCIA

El suministro de energía eléctrica debe estar apagado y el de gas cerrado antes de llevar a cabo la conversión.

Este electrodoméstico se ajustó de fábrica para usarse con gas natural. Para convertirlo para usarse con gas LP (propano o butano), debe realizarse cada una de las siguientes modificaciones: (A, B y C).

A. COLOQUE DE NUEVO TODOS LOS PUNTALES DE ORIFICIO

Paso 1: Quite las parrillas y las tapas de los quemadores.

Paso 2: Quite la base del quemador sacando los 2 tornillos de 6 orejas (T-15). (Vea la figura 7.) Deje el alambre del encendido sujeto a la base.

Paso 3: Oprima con firmeza un **destornillador** de 7 mm (9/32") sobre los puntales de orificio (figura 7) y afloje los puntales girándolos en sentido contrario al de las manecillas del reloj. Levante cuidadosamente el destornillador de tuercas de la garganta del quemador. Los puntales de orificio deben caer en el hueco. Repita este paso en cada quemador.

REMOCIÓN DEL PUNTALE DE ORIFICIO

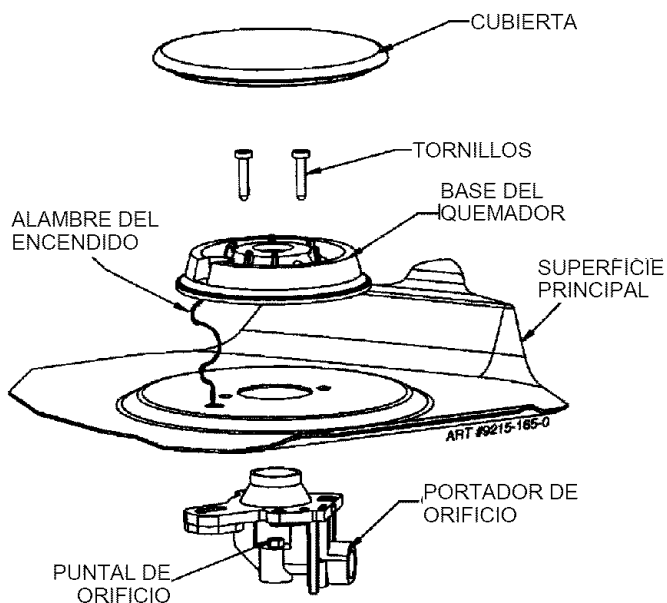


FIGURA 7

INSTALACIÓN DE LOS PUNTALES DE ORIFICIO LP Y OBTURADORES

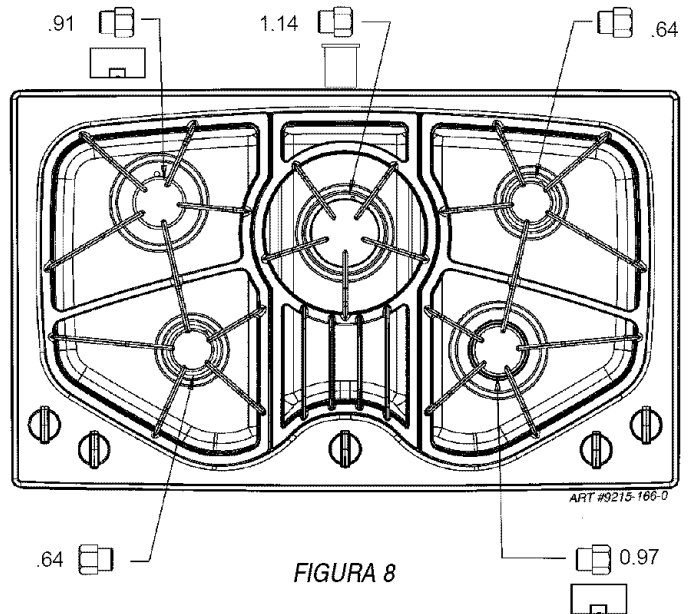


FIGURA 8

Paso 4: Localice el paquete del puntal de orificio de gas LP que se adjunta al paquete de los materiales impresos. Los puntales tienen números pequeños estampados en un lado. Este número codifica el diámetro del orificio y la ubicación correcta del quemador. Las figuras 8 y 9 muestran la ubicación correcta del puntal de orificio LP. Habrá puntales adicionales que no se necesitan para la instalación del modelo JGC8430.

Paso 5: Coloque cuidadosamente el puntal de orificio en la garganta del quemador correspondiente girándolo en el sentido de las manecillas del reloj para apretarlo. Apriete a una torsión de 15 a 20 pulgadas por libra.

Paso 6:

JGC8430 – Unidad de 76 cm (30") - Coloque los obturadores del quemador 9.1k/10.5k en el portador del orificio posterior derecho y posterior izquierdo (vea la figura 9) con el chaflán orientado hacia abajo (vea la figura 10).

JGC8536 – Unidad de 91 cm (36") - Coloque los obturadores del quemador 9.1k/10.5k en el portador del orificio delantero derecho y posterior izquierdo (vea la figura 10) con el chaflán orientado hacia abajo (vea la figura 10).

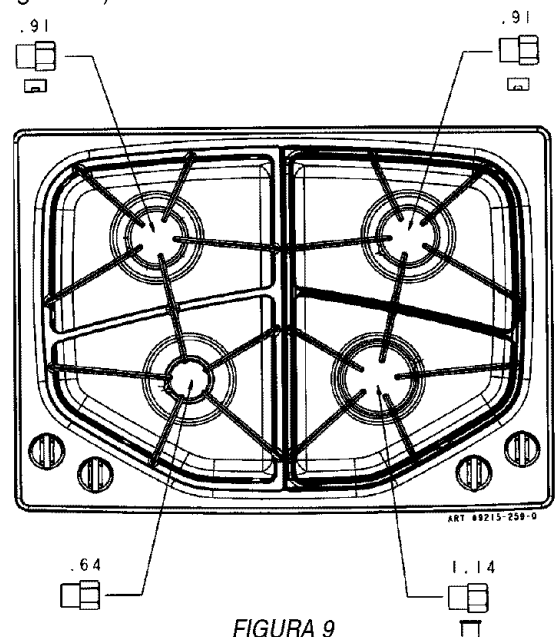


FIGURA 9

Aviso de altitud

Las capacidades de funcionamiento especificadas del quemador de gas por lo general corresponden a elevaciones de hasta 609.6 metros (2000 pies). Cuando la altitud es mayor, podría ser necesario reducir las capacidades de funcionamiento para lograr un funcionamiento satisfactorio.

Un técnico local, certificado en servicios de gas, podrá aconsejarle si es necesaria la reducción.

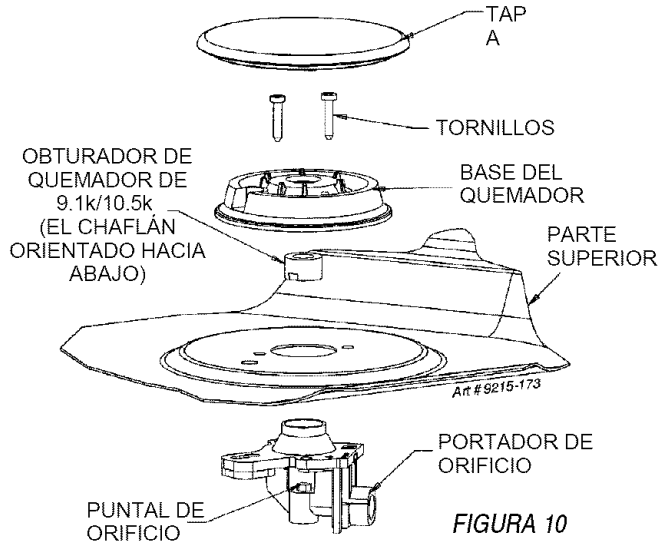


FIGURA 10

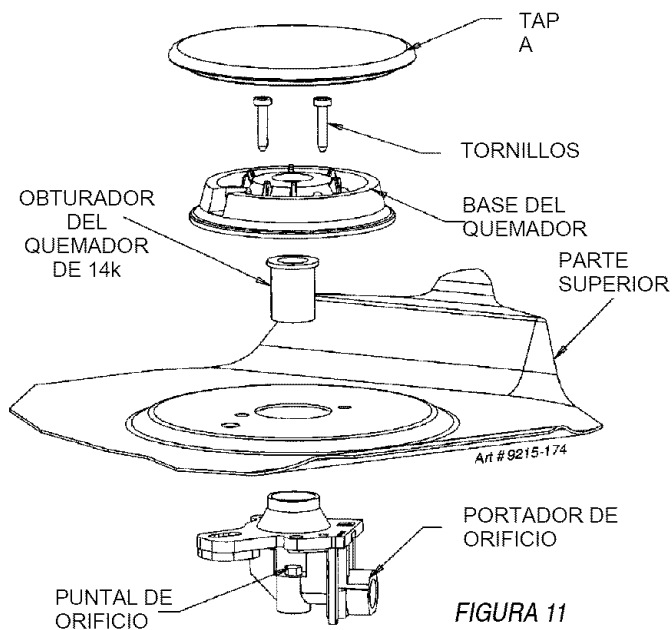


FIGURA 11

Paso 7:

JGC8430 - Unidad de 76 cm (30") —Coloque el obturador del quemador de 14k dentro del portador del orificio delantero derecho (vea la figura 11).

JGC8430 - Unidad de 91 cm (36") —Coloque el obturador del quemador de 14k dentro del portador del orificio central (vea la figura 11).

Paso 8: Coloque de nuevo la base del quemador, las tapas y las parrillas. Apriete los tornillos de 6 orejas (T-15) (no los barra) a 25 ó 30 pulgadas por libra.

Paso 9: Conserve los orificios que quite del electrodoméstico para usarlos en el futuro.

Paso 10: Firme y aplique las etiquetas que se adjuntan en el juego del orificio en la parte inferior de la unidad.

B. INVIERTA EL TAPÓN DEL REGULADOR DE PRESIÓN DEL ELECTRODOMÉSTICO (Vea la figura 12)

Con el electrodoméstico ya instalado, el regulador debe localizarse según se muestra en la figura 3 ó 4.

CONVERSIÓN DEL REGULADOR DE PRESIÓN DEL ELECTRODOMÉSTICO

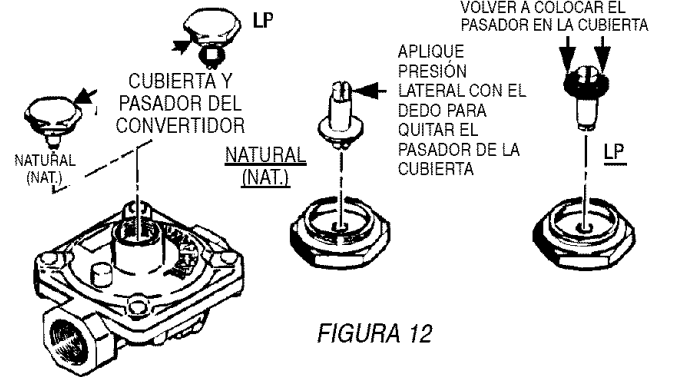


FIGURA 12

C. AJUSTE DE LA LLAMA BAJA (Vea la figura 13)

Este electrodoméstico se embarca de fábrica con los ajustes de las llamas baja y alta para usarse con gas natural. Si desea usar el electrodoméstico con gas LP, realice el procedimiento siguiente para ajustarlo:

1. Quite la perilla de control del vástago de la válvula.

PRECAUCIÓN: NUNCA USE UNA HOJA DE METAL PARA QUITAR LA PERILLA. SI NO PUEDE QUITARLA CON FACILIDAD, DOBLE UNA TOALLA DE TELA Y DESLÍCELA DEBAJO DE LA PERILLA Y TIRE DE ELLA HACIA ARRIBA CON UNA PRESIÓN UNIFORME.

- Quite cuidadosamente la arandela aislante de goma.
- Localice el tornillo de ajuste de la válvula. Vea la figura 13.
- Inserte un destornillador de hoja delgada en el orificio de la perilla y enganche la hoja en la ranura del tornillo de ajuste.
- Gire el tornillo de ajuste en el sentido de las manecillas del reloj hasta apretarlo (máximo 5 a 7 pulg-lbs). No lo apriete demasiado.
- Vuelva a colocar la arandela aislante de goma y la perilla de control.
- Repita estos pasos en los demás quemadores.

VISTA A TRAVÉS DEL ORIFICIO DE LA PERILLA

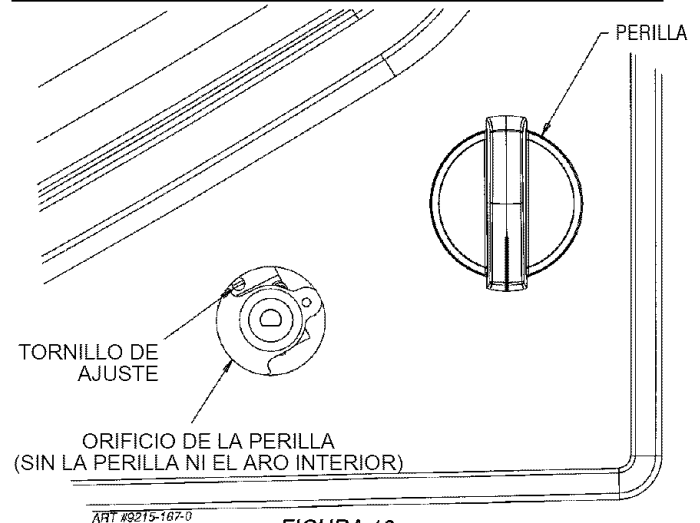


FIGURA 13

Después de la operación anterior, el quemador producirá una llama azul estable de tamaño pequeño. El ajuste debe verificarse girando la perilla de alto a bajo varias veces sin que se apague la llama.

La operación anterior automáticamente proporcionará el tamaño de llama correcto en el ajuste medio.

Después de terminar los pasos A, B y C de la conversión, revise la apariencia de la llama de cada quemador en los ajustes Hi (Alto) y Lo (Bajo) comparándolos con la figura 14. Si las llamas parecen muy grandes o muy pequeñas, revise cada paso para asegurarse que se siguió correctamente.

**APARIENCIA DE LA LLAMA EN HI (ALTO)
Y LO (BAJO)**

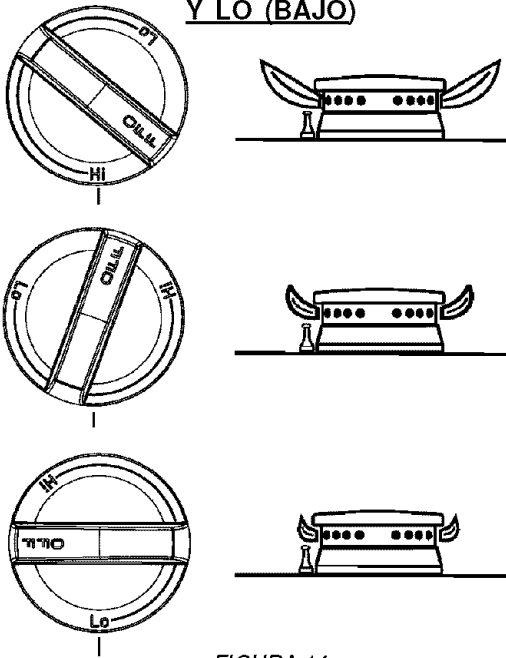


FIGURA 14

Para convertir el electrodoméstico para usarse con gas natural

⚠ ADVERTENCIA

El suministro de energía eléctrica debe estar apagado y el de gas cerrado antes de llevar a cabo la conversión.

Si este electrodoméstico se ha convertido para usarse con gas LP, deben realizarse cada una de las siguientes modificaciones para convertir la unidad de nuevo a gas natural.

A. COLOQUE DE NUEVO TODOS LOS PUNTALES DE ORIFICIO.

1. Realice los pasos 1 y 2 de la página 8.
2. **JGC8430 – Unidad de 76 cm (30")** —Quite los obturadores de los portadores de orificio posterior izquierdo, posterior derecho y delantero derecho (vea las figuras 10 y 11). Según sea necesario, puede usarse un clip para quitar los obturadores izquierdo y derecho posteriores.
- JGC8430 – Unidad de 91 cm (36")** —Quite los obturadores de los portadores de orificio posterior

izquierdo, central y delantero derecho (vea las figuras 10 y 11). Según sea necesario, puede usarse un clip para quitar el obturador izquierdo delantero y el derecho posterior.

3. Realice el paso 3 de la página 8.
4. Para el paso 5: Encuentre los puntales de orificio de gas natural que se instalaron originalmente en este electrodoméstico antes de que se convirtiera para usarse con gas LP. Vea el número de cada uno de los puntales y anote la ubicación correcta del quemador de cada puntal según se muestra en la figura 15 ó 16.

Instalación de los puntales de orificio de gas natural

MODELO DE 4 QUEMADORES DE 91 CM (30") DE ANCHO

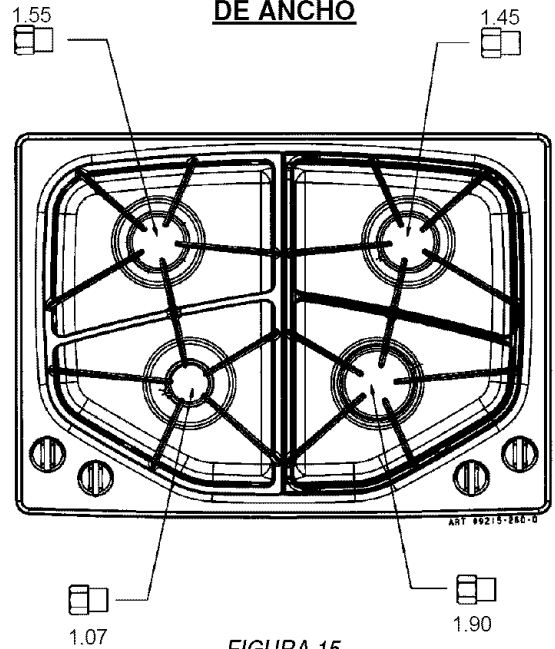


FIGURA 15

MODELO DE 5 QUEMADORES DE 91 CM (36") DE ANCHO

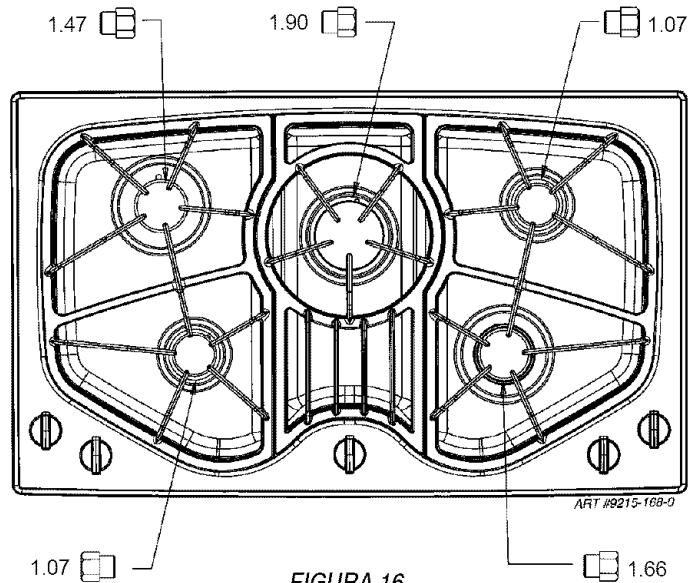


FIGURA 16

- Realice los pasos 5, 8 y 9 de las páginas 8 y 9 para terminar la instalación de los puntales de gas natural en los lugares correctos.
- Conserve los orificios y los obturadores que quite del electrodoméstico para usarlos en el futuro. Se necesitarán si se convierte el electrodoméstico de nuevo para usarse con gas LP.

B. INVIERTE EL TAPÓN DEL REGULADOR DE PRESIÓN DEL ELECTRODOMÉSTICO. (Vea la figura 12.)

Con el electrodoméstico ya instalado, el regulador debe localizarse según se muestra en la figura 3 ó 4 (páginas 4 y 5). Identifique el tipo de regulador del electrodoméstico y siga las instrucciones de la ilustración correspondiente.

C. REAJUSTE LOS VALORES PARA EL GAS NATURAL

- Encienda un quemador en el ajuste bajo.
- Quite la perilla.
- Quite las arandelas aislantes de goma.
- Localice el tornillo de ajuste de la válvula. Vea la figura 13.
- Inserte un destornillador de hoja delgada en el orificio de la perilla y enganche la hoja en la ranura del tornillo de ajuste.
- Comenzando en la posición LP (vea el núm.5 en la página 9, bajo C. AJUSTE DE LA LLAMA BAJA), gire el tornillo en el sentido contrario al de las manecillas del reloj hasta que la llama se estabilice y se vea igual a la del dibujo del ajuste "bajo" de la página 14. El ajuste correcto producirá una llama azul estable, de tamaño pequeño. El ajuste final debe verificarse girando la perilla de alto a bajo varias veces sin que se apague la llama.

Después de terminar los pasos A, B y C, revise la apariencia de la llama de cada quemador en los ajustes Hi (Alto) y Lo (Bajo) comparándolos con la figura 14. Si las llamas parecen muy grandes o muy pequeñas, asegúrese que se hayan seguido todos los pasos correctamente.

Encendido y reencendido automático del quemador

Este electrodoméstico está equipado con reencendido automático por medio de un encendedor de chispa que se encuentra en la parte posterior de cada quemador. Los quemadores están diseñados para encenderse con cualquier rotación de la válvula que admita suficiente flujo de gas para producir la llama y para volver a encenderse automáticamente después de que se apague la llama debido a una corriente de viento o condición adversa. Esta característica se proporciona con fines de comodidad y no tiene la finalidad de ser una característica de seguridad.

PRECAUCIÓN: Nunca cubra las perillas de control ni la superficie de alrededor de los controles con utensilios, toallas ni otros objetos. Nunca obstruya el paso libre de aire más allá de las perillas de control. Las aberturas de las perillas tienen el tamaño para controlar adecuadamente la entrada de aire al interior del electrodoméstico mientras está en funcionamiento.

Este electrodoméstico no tiene obturadores de aire. No es necesario realizar ajustes primarios de aire. Los quemadores están diseñados para proporcionar una aeración óptima con todos los tipos de gas sin obturadores de aire. Cuando funcionan correctamente, los quemadores deben producir una llama azul uniforme y bien definida. Si las llamas tienen las puntas amarillas o están flojas y parecen no tener suficiente aire, contrate a un técnico calificado de servicio. Las puntas algo amarillentas en el gas LP son normales.

Las clasificaciones de entrada especificadas se muestran en la figura 15 más adelante.

MODELO DE 4 QUEMADORES DE 76 CM (30") DE ANCHO

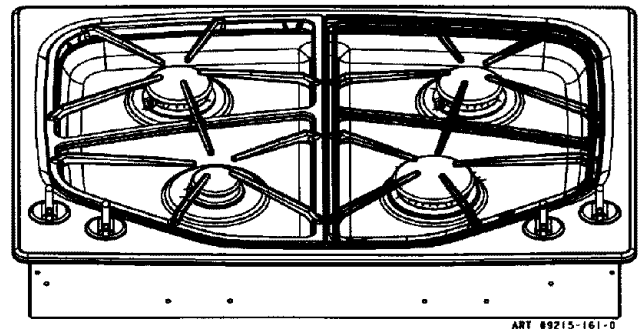


FIGURA 17

JENN-AIR DE 76 CM (30") JGC8430

UBICACIÓN DEL QUEMADOR	Hi (Alto)	Lo (Bajo)
Delantero derecho	15,000 / 14,000	2,000 / 2,000
Posterior derecho	9,200 / 9,100	1,400 / 1,550
Delantero izquierdo	5,000 / 4,000	650 / 850
Posterior izquierdo	10,500 / 9,100	1,450 / 1,550

MODELO DE 5 QUEMADORES DE 91 CM (36") DE ANCHO

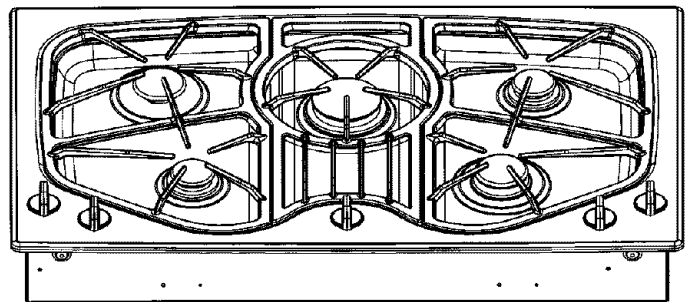


FIGURA 18

JENN-AIR DE 91 CM (36") JGC8536

UBICACIÓN DEL QUEMADOR	Hi (Alto)	Lo (Bajo)
Delantero derecho	12,500 / 10,500	1450 / 1600
Posterior derecho	5,000 / 4,200	650 / 850
Delantero izquierdo	5,000 / 4,200	650 / 850
Posterior izquierdo	9,200 / 9,100	1450 / 1550
Central	15,000 / 14,000	2000 / 2000

Para sujetar la unidad al mostrador Unidad de 76 cm (30") Jenn-Air

IMPORTANTE

Se han incluido dos soportes para sujetar la superficie para cocinar al mostrador. Utilice los soportes de sujeción, uno a la izquierda y otro a la derecha de la unidad para asegurarla al mostrador. Pueden añadirse soportes de sujeción al frente y en la parte posterior. Comuníquese con el proveedor o con la agencia autorizada de servicio.

Coloque la superficie en el hueco del recorte.

Abra las puertas del gabinete y localice los orificios de los tornillos al lado derecho e izquierdo de la parte inferior de la unidad. Los orificios están a la mitad entre la parte delantera y posterior de la unidad y aproximadamente a 3.18 cm (1 1/4") de cada lado.

Enrosque los tornillos de sujeción largos en los soportes de sujeción.

Apriete los tornillos de sujeción para colocar la unidad contra el mostrador. Vea las figuras 19 y 20. **No los apriete demasiado.**

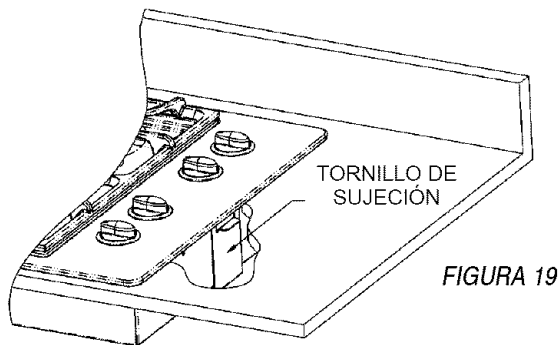


FIGURA 19

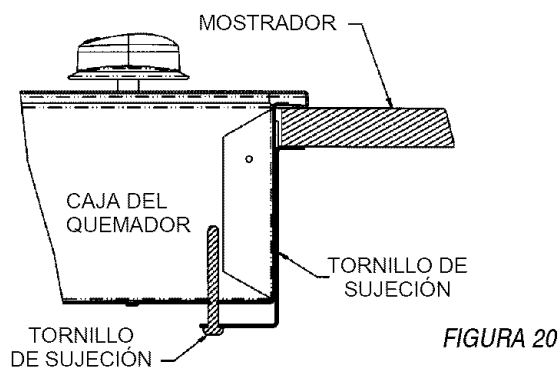


FIGURA 20

Cómo quitar la superficie para cocinar para darle servicio

Siga este procedimiento para quitar la superficie para cocinar para darle servicio:

1. Cierre el suministro de gas a la superficie para cocinar.
2. Si corresponde, desconecte la energía eléctrica al electrodoméstico.
3. Desconecte la tubería del suministro de gas al electrodoméstico.
4. Quite los soportes de sujeción. (Vea la figura 19.)
5. Invierta el procedimiento para volver a instalarlos. Si se desconectó la tubería de gas, revise si hay fugas de gas después de reconectarla.

NOTA: El suministro de gas debe desconectarlo y volver a conectarlo un técnico calificado de servicio.

El técnico **DEBE** seguir las instrucciones de instalación provistas con el conector del electrodoméstico de gas y la etiqueta de advertencia adherida al conector.

Unidad de 91 cm (36") Jenn-Air

IMPORTANTE

Para sujetar la superficie para cocinar al mostrador, se encuentran unas ranuras para correas de sujeción a los lados de la unidad que ofrecen distintas configuraciones de montaje. Se han proporcionado dos correas de sujeción. Algunas configuraciones de mostradores podrían no permitir suficiente acceso para las correas de sujeción (o para los tornillos de estabilización) en uno o más lados de la unidad. Utilice soportes de sujeción y cuando sea posible tornillos de estabilización, uno a la izquierda y otro a la derecha de la unidad para asegurarla al mostrador. Además, también pueden añadirse soportes de sujeción y tornillos de estabilización al frente y/o en la parte posterior. Pida la pieza No. 12001977 a su distribuidor.

Coloque la superficie en el hueco del recorte.

Abra las puertas del gabinete, y enganche los soportes de sujeción dentro de las ranuras provistas en la caja del quemador (vea las figuras 21 y 22) y asegúrelos con los tornillos cortos de estabilización provistos. Podría necesitarse una llave de boca tubular de 1/4" o una llave para tuercas para apretar los tornillos cortos. **No los apriete demasiado.**

Enrosque los tornillos de sujeción largos en los soportes de sujeción.

Apriete los tornillos de sujeción para colocar la unidad contra el mostrador. Vea la figura 22. **No los apriete demasiado.**

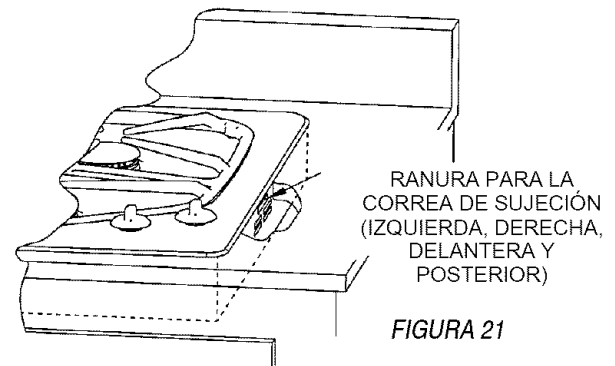


FIGURA 21

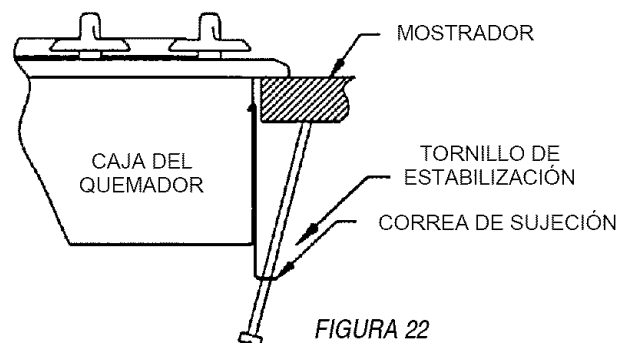


FIGURA 22

Información de servicio y de las piezas de repuesto

Cuando la superficie para cocinar requiera servicio o piezas de repuesto, comuníquese con el proveedor o la agencia autorizada de servicio. Proporcione los números completos de modelo y serie de la unidad que se encuentran localizados en la placa de datos de la superficie para cocinar.

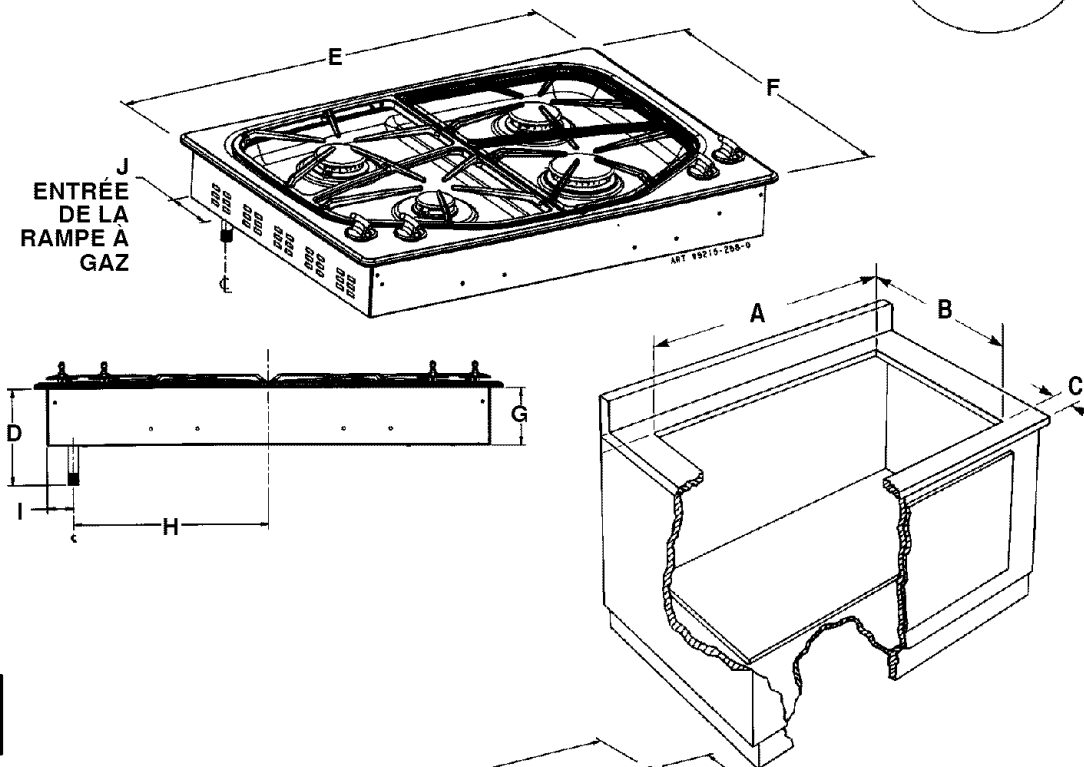
IMPORTANT : Dimensions montrées en pouces et en centimètres.

IMPORTANT : S'assurer que l'appareil correspond au type de gaz fourni. Ces renseignements se trouvent sur la plaque signalétique, sous la boîte des brûleurs. Ne pas convertir cet appareil à un type de gaz autre que celui spécifié.



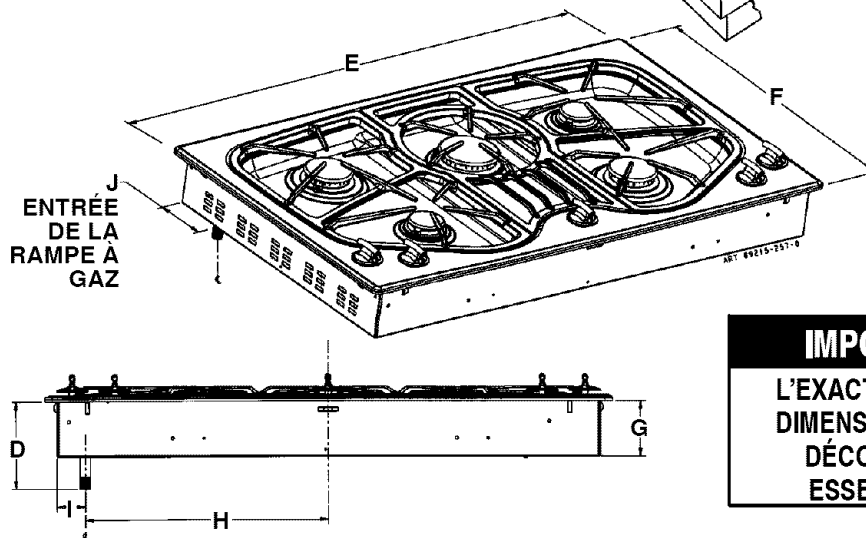
**MODÈLE DE
76,2 CM (30 PO)**

JGC8430		
	pouces	cm
A	28 3/4 ± 1/16	73 ± 0,2
B	20 5/8 ± 1/16	52,4 ± 0,2
C	2 MIN	5,1 MIN
D	5 1/16	12,9
E	30	76,2
F	21 3/4	55,2
G	3 11/16	9,4
	12 7/16	31,6
I	1 3/4	4,4
J	3 1/4	4,4



**MODÈLE DE
91,4 CM (36 PO)**

JGC8536		
	pouces	cm
A	34 7/8 ± 1/16	88,6 ± 1/16
B	20 13/16 ± 1/16	52,9 ± 1/16
C	2 MIN	5,1 MIN
D	4 9/16	11,6
E	36	91,4
F	21 9/16	54,8
G	3 13/16	9,6
	15 1/2	39,4
I	1 3/4	4,4
J	3 1/4	4,4



IMPORTANT

L'EXACTITUDE DES
DIMENSIONS DE LA
DÉCOUPE EST
ESSENTIELLE

AVERTISSEMENT SPÉCIAL

UNE MAUVAISE RÉALISATION DE LA MISE EN PLACE, DU RÉGLAGE, DE TOUTES MODIFICATIONS OU RÉPARATIONS OU DE L'ENTRETIEN DE LA CUISINIÈRE OU SON USAGE INCORRECT PEUVENT ENTRAÎNER DES BLESSURES GRAVES OU DES DÉGÂTS.

À L'INTENTION DE L'INSTALLATEUR : VEUILLEZ LAISSER CES INSTRUCTIONS AVEC L'APPAREIL.

À L'INTENTION DU CONSOMMATEUR : VEUILLEZ CONSERVER CETTE NOTICE DE MISE EN SERVICE POUR RÉFÉRENCE ULTÉRIEURE.

Emplacement de votre appareil Jenn-Air

Cet appareil doit être à un emplacement à distance sûre de tous matériaux combustibles tels que rideaux de fenêtres et décorations murales susceptibles de prendre feu.

Le dégagement horizontal minimum entre le bord de l'appareil et des structures susceptibles de prendre feu montant jusqu'à une hauteur de 45,7 cm (18 po) au-dessus de la surface de cuisson est le suivant :

- 1,9 cm (3/4 po) à l'arrière
- 20,3 cm (8 po) sur les côtés

(Ces dimensions s'appliquent aux modèles de 76,2 cm [30 po] et 91,4 cm [36 po] de large.)

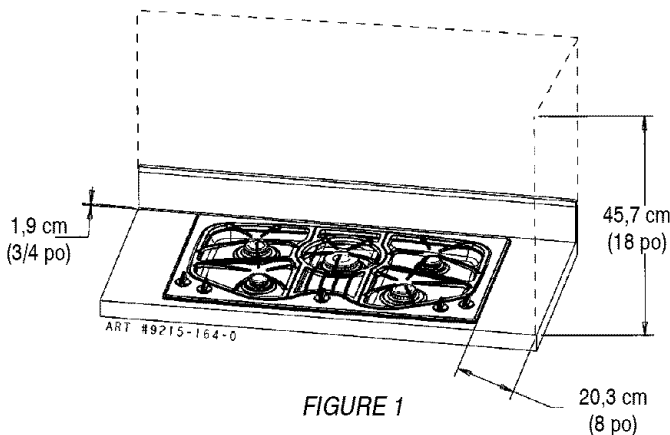
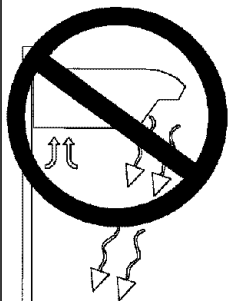


FIGURE 1

AVERTISSEMENT



CET APPAREIL NE DOIT PAS ÊTRE INSTALLÉ AU-DESSOUS D'UNE HOTTE DE VENTILATION QUI DIRIGE L'AIR DANS UNE DIRECTION DE HAUT EN BAS.

(VOIR LA FIGURE)

CES SYSTÈMES D'ÉVACUATION PEUVENT POSER DES PROBLÈMES D'ALLUMAGE ET DE COMBUSTION AVEC DES BRÛLEURS À GAZ AYANT POUR RÉSULTAT DES BLESSURES ET PEUVENT AFFECTER LA FAÇON DE CUIRE DE L'APPAREIL.

NOTE: IL EST POSSIBLE QUE LA FIGURE NE SOIT PAS UNE REPRÉSENTATION EXACTE DE VOTRE CUISINIÈRE OU DE VOTRE PLAQUE DE CUISSON; POURTANT, CET AVERTISSEMENT S'APPLIQUE À TOUT APPAREIL DE CUISSON À GAZ.

Préparation du comptoir

La découpe dans le comptoir doit être préparée tel que l'indique l'illustration de la page 1.

ATTENTION : L'exactitude des dimensions de l'ouverture est essentielle. Pour réaliser correctement la pose, les dimensions doivent être mesurées avec précision et la découpe effectuée à 1,6 mm (1/16 po) près.

Suggestions importantes pour la préparation

1. Arrondir les angles de tous les rebords du stratifié décoratif pour éviter qu'ils ne s'écaillent.
2. **Arrondir les coins de la découpe et les limer pour assurer des rebords lisses et éviter que les coins ne se fendillent. Il est recommandé de percer un trou de 6 ou 9 mm (1/4 ou 3/8 po) de diamètre dans chaque coin.**
3. Les rebords bruts et les coins intérieurs non arrondis, ainsi que les endroits où il faut forcer pour permettre la mise en place de l'appareil, peuvent contribuer au fendillement du dessus du comptoir en stratifié.
4. Le dessus du comptoir doit avoir un support à une distance maximum de 7,6 cm (3 po) des rebords de la découpe.

Pose d'armoires au-dessus de plaque de cuisson Jenn-Air

*A = 76,2 cm (30 po) minimum entre la plaque de cuisson et tout élément de construction se trouvant directement au-dessus de l'appareil. Ce dégagement peut être réduit à un minimum de 61 cm (24 po) si le dessous du matériau combustible ou de l'armoire métallique se trouvant au-dessus de la surface de cuisson est protégé avec du carton isolant d'un minimum de 6,3 mm (1/4 po) recouvert de tôle d'une épaisseur minimum de 0,31 mm (0,0122 po).

*B = 33 cm (13 po) maximum de profondeur pour les armoires se trouvant au-dessus de la plaque de cuisson.

Éviter l'utilisation d'armoires de rangement au-dessus de la surface de cuisson pour éliminer les risques potentiels qui y sont liés, tels que se pencher au-dessus de flammes pour prendre un article dans l'armoire.

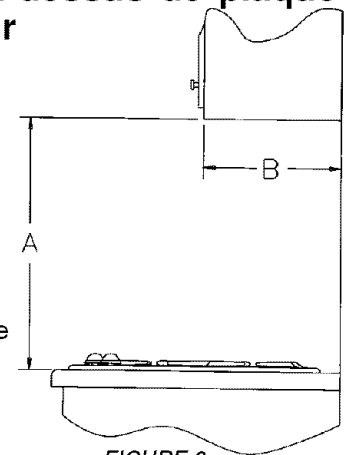


FIGURE 2

Réglages requis lors de la mise en service

La mise en service de cet appareil doit être conforme aux codes locaux ou, en l'absence de tels codes, avec la norme ANSI Z223.1, dernière édition, du National Fuel Gas Code américain ou du CODE DES INSTALLATIONS B149 CAN/ACG en vigueur.

- Cet appareil est conçu pour fonctionner au gaz naturel. S'il doit être utilisé avec du GPL, suivre la méthode de conversion au GPL qui se trouve dans les instructions de mise en service.
- Vérifier qu'il n'y a pas de fuite au niveau des raccords externes. Ne jamais vérifier l'absence de fuites à l'aide d'une flamme.
- Vérifier toutes les connexions électriques.

Vérifier sur la plaque signalétique de la plaque de cuisson si elle est homologuée pour la mise en service dans une maison mobile et/ou une roulotte de parc. La plaque signalétique se trouve au fond de l'appareil.

Si la plaque de cuisson est homologuée pour cet usage, les points suivants s'appliquent :

Maisons mobiles

La mise en service d'une cuisinière prévue pour les maisons mobiles doit être conforme aux normes « Manufactured Home Construction and Safety Standard », titre 24 CFR, partie 3280 (précédemment « Federal Standard for Mobile Home Construction and Safety », titre 24 HUD [partie 280]) ou, lorsque ces normes ne sont pas applicables, les normes « Standard for Manufactured Home Installations », ANSI A225.1/NFPA 501A, ou les codes de la construction locaux.

Au Canada, la mise en service de la cuisinière doit se faire conformément aux normes CSA C22.1 du code d'électricité canadien les plus récentes, partie 1 et section Z240.4.1 relative aux caractéristiques techniques exigées pour les appareils à gaz utilisés dans les maisons mobiles (norme CAN/CSA - Z240MH).

Roulettes de parc

La mise en service d'une cuisinière prévue pour les roulettes de parc doit être conforme aux codes provinciaux et autres codes ou, en leur absence, avec la dernière édition de la norme ANSI A119.5 relative aux roulettes de parc.

Au Canada, la mise en service de la cuisinière doit être réalisée conformément à la norme CAN/CSA - série Z240.6.2 relative aux caractéristiques exigées pour l'installation électrique dans les véhicules de plaisance (norme CAN/CSA - série Z240 RV) et à la section Z240.4.2 relative aux caractéristiques techniques exigées pour les appareils et le matériel fonctionnant au propane dans les véhicules de plaisance (norme CAN/CSA série Z240 RV).

Pose de l'appareil

La mise en service de cet appareil doit être conforme aux codes locaux ou, en l'absence de tels codes, à la norme ANSI Z223.1, dernière édition, du National Fuel Gas Code aux États-Unis ou avec le code de mise en service CAN/ACG- B149 en vigueur.

Une fois en place, l'appareil doit être relié à la terre conformément aux codes locaux ou, en l'absence de codes locaux, aux normes ANSI/NFPA n° 70 de l'édition la plus récente du National Electrical Code ou, au Canada, aux normes CSA C22.1 du Code canadien de l'électricité, partie 1, en vigueur.

Dans le « Commonwealth of Massachusetts »

Ce produit doit être mis en service par un plombier ou un monteur d'installations au gaz détenteur d'une licence pour toute mise en service à l'intérieur du « Commonwealth of Massachusetts ».

Un robinet d'arrêt de gaz manuel de type à poignée en T doit être posé sur la conduite de gaz de cet appareil.

Un raccord de gaz flexible devra, s'il est utilisé, ne pas être d'une longueur supérieure à 91,4 cm (3 pi/36 po).

Sauf indication contraire, toutes les conduites d'alimentation doivent être de type courant NPT (National Pipe Thread). Utiliser une pâte à filetage résistant à l'action du gaz GPL sur les raccords.

ATTENTION : La garantie des appareils Jenn-Air est nulle si les consignes du fabricant concernant la pose ne sont pas respectées.

L'appareil est conçu pour utiliser le détendeur fourni. Celui-ci doit être posé sur la conduite de gaz en amont de l'entrée du distributeur de gaz. Il est réglé pour le gaz naturel et doit être converti au gaz GPL, tel qu'indiqué aux pages 8, 9 et 10, si ce type de gaz est utilisé. (Voir la figure 12.)

Cet appareil est conçu pour fonctionner à une pression de 1,25 kPa (5 po de colonne d'eau) dans le cas de gaz naturel et à une pression de 2,5 kPa (10 po de colonne d'eau) dans le cas d'une conversion au GPL (propane ou butane). S'assurer que l'alimentation en gaz de l'appareil est bien du type pour lequel il est conçu et qu'il est réglé pour ce type de gaz.

Cet appareil est réglé sur le gaz naturel en usine. Si, à un moment quelconque, l'appareil doit utiliser un type de gaz différent, toutes les conversions indiquées aux pages 8, 9 et 10 doivent impérativement être effectuées par un technicien de service après-vente qualifié avant de faire fonctionner l'appareil sur cet autre gaz. Le gaz naturel doit être amené au détendeur à une pression de 1,5 à 3,5 kPa (6 à 14 pouces de colonne d'eau) ; en cas de conversion au gaz GPL, la pression dans la conduite doit être de 2,5 à 2,75 kPa (11 à 14 pouces de colonne d'eau).

AVERTISSEMENT

Si la pression de l'alimentation en gaz au détendeur est supérieure à 3,5 kPa (14 po de colonne d'eau), quel que soit le gaz, un détendeur externe doit être posé sur la conduite de gaz en amont du détendeur de l'appareil afin de réduire la pression à 3,5 kPa maximum, sinon l'appareil ne fonctionnera pas correctement et pourra se trouver endommagé.

S'assurer que l'appareil est réglé pour le type de gaz utilisé et que la pression de l'alimentation au détendeur est dans la plage de pressions acceptable.

- Si aucun autre appareil ne doit être installé dans l'armoire au-dessous de cet appareil, suivre les indications du paragraphe 1, page 4.
- Si la plaque de cuisson est posée au-dessus d'un four encastré électrique Jenn-Air modèle JJW8530, JJW9530 ou JJW8130, suivre les indications du paragraphe 2, page 5.

REMARQUE : Au Canada, le code d'utilisation du gaz interdit les coudes mâle-femelle. Utiliser un coude standard et modifier ces instructions en conséquence.

Raccordement de l'appareil au gaz

LE RACCORDEMENT AU GAZ DOIT ÊTRE EFFECTUÉ PAR UN TECHNICIEN AYANT REÇU LA FORMATION APPROPRIÉE OU PAR UN INSTALLATEUR D'APPAREILS À GAZ. La vérification de l'absence de fuites sera effectuée par l'installateur conformément aux directives fournies.

Les conduites de gaz DOIVENT être conformes à tous les codes du bâtiment locaux, municipaux et provinciaux, ainsi qu'aux règlements des services publics locaux.

1. SI AUCUN AUTRE APPAREIL NE DOIT ÊTRE POSÉ SOUS CETTE PLAQUE DE CUISSON

Raccorder le détendeur pour appareil fourni au filetage d'entrée du distributeur de gaz. Ce détendeur porte une flèche indiquant la direction du gaz. Veiller à poser le détendeur avec la flèche dirigée vers le distributeur de gaz. Serrer le détendeur à un couple de 27 à 40 N.m (20 à 30 pi-lb).

IMPORTANT

Ne jamais serrer à plus de 47 N.m (35 pi-lb). Toujours utiliser une pâte à filetage résistant à l'action du gaz GPL sur les raccords.

Poser l'appareil dans la découpe du comptoir et mettre les capuchons et grilles en place.

Effectuer le raccordement à l'arrivée de gaz du détendeur de cet appareil avec une conduite mâle filetée de 1/2 po NPT.

Poser un robinet d'arrêt dans un endroit accessible de la conduite de gaz en amont du détendeur et extérieur à l'appareil afin de pouvoir fermer ou ouvrir l'alimentation en gaz de l'appareil.

Effectuer toutes connexions de conduite supplémentaires en amont du robinet d'arrêt de l'alimentation en gaz. S'assurer que tous les raccords sont bien serrés.

AVERTISSEMENT

Une fuite de gaz pourrait survenir dans le système et susciter une situation dangereuse. L'odorat peut ne pas suffire pour détecter une fuite de gaz. Les fournisseurs de gaz recommandent l'installation d'un détecteur de gaz (homologation UL). Installer et utiliser le détecteur conformément aux instructions du fabricant.

IMPORTANT

Appliquer du liquide de détection de fuites non corrosif sur tous les joints et raccords entre le robinet de la conduite de gaz et la plaque de cuisson. Inclure les joints et raccords de l'appareil si ceux-ci ont pu se trouver desserrés pendant la mise en service. Vérifier les fuites ! Si des bulles apparaissent autour des joints et des raccords, il y a une fuite. En cas de fuite, fermer le robinet d'alimentation de gaz, serrer les raccords, puis ouvrir le robinet de gaz et revérifier s'il y a des fuites. Ne jamais vérifier l'absence de fuites à l'aide d'une flamme.

ILLUSTRATION D'UNE CONDUITE DE GAZ

(AUCUN AUTRE APPAREIL SOUS LA PLAQUE DE CUISSON)

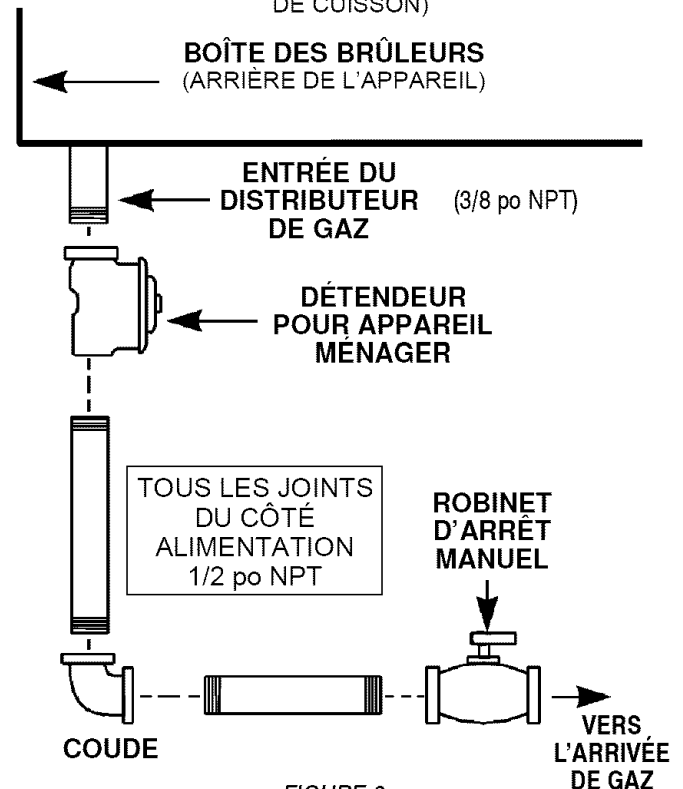


FIGURE 3

2. SI CE MEUBLE DOIT AVOIR UN FOUR ÉLECTRIQUE ENCASTRÉ JENN-AIR MODÈLE JJW8530, JJW9530 OU JJW8130 MONTÉ SOUS CETTE PLAQUE DE CUISSON.

REMARQUE 1 : La pose de cet appareil et son raccordement au gaz et à l'électricité doivent être effectués avant la pose du four. Voir les illustrations (Informations sur le câblage électrique, page 7, figure 6) pour l'emplacement recommandé pour le raccordement à l'alimentation électrique.

REMARQUE 2 : Avec un four encastré monté sous cet appareil, il pourra être nécessaire de prolonger la conduite de gaz pour la faire passer dans une armoire adjacente sous le comptoir.

Raccorder un coude de 3/8 po NPT (disponible localement) au filetage mâle de l'entrée du distributeur de gaz. Une fois le coude en place, s'assurer que le filetage ouvert du coude est bien orienté vers le côté gauche de l'appareil. Poser l'appareil dans la découpe dans le comptoir.

Raccorder un mamelon de 3/8 po NPT au coude en utilisant une section de conduite de longueur suffisante pour qu'elle aille au-delà du côté gauche du four encastré. (Pour cela, il faudra peut-être que la section de conduite dépasse dans l'armoire adjacente.) Raccorder un ou plusieurs coudes de 3/8 po ainsi que des mamelons, en fonction des besoins, pour :

Raccorder la sortie du détendeur fourni avec cet appareil au filetage mâle de la conduite qui vient d'être posée. Monter le détendeur dans un endroit où il sera accessible, soit à côté, soit au-dessous du four encastré. Veiller à poser le détendeur avec la flèche indiquant la direction du gaz pointée dans la direction de l'écoulement du gaz. Serrer le détendeur à un couple de 27 à 40 N.m (20 à 30 pi-lb).

IMPORTANT

Ne jamais serrer à plus de 47 N.m (35 pi-lb). Toujours utiliser une pâte à filetage résistant à l'action du gaz GPL sur les raccords.

Poser un robinet d'arrêt dans un endroit accessible de la conduite de gaz en amont du détendeur et extérieur à l'appareil afin de pouvoir fermer ou ouvrir l'alimentation en gaz de l'appareil.

Effectuer toutes connexions de conduite supplémentaires en amont du robinet d'arrêt de l'alimentation en gaz. S'assurer que tous les raccords sont bien serrés.

IMPORTANT

Appliquer du liquide de détection de fuites non corrosif sur tous les joints et raccords entre le robinet de la conduite de gaz et la plaque de cuisson. Inclure les joints et raccords de l'appareil si ceux-ci ont pu se trouver desserrés pendant la mise en service. Vérifier les fuites ! Si des bulles apparaissent autour des joints et des raccords, il y a une fuite. En cas de fuite, fermer le robinet d'alimentation de gaz, serrer les raccords, puis ouvrir le robinet de gaz et revérifier s'il y a des fuites. Ne jamais vérifier l'absence de fuites à l'aide d'une flamme.

ILLUSTRATION D'UNE CONDUITE DE GAZ

(FOUR MURAL MONTÉ SOUS LA PLAQUE DE CUISSON DE 30 PO [76,2 CM])

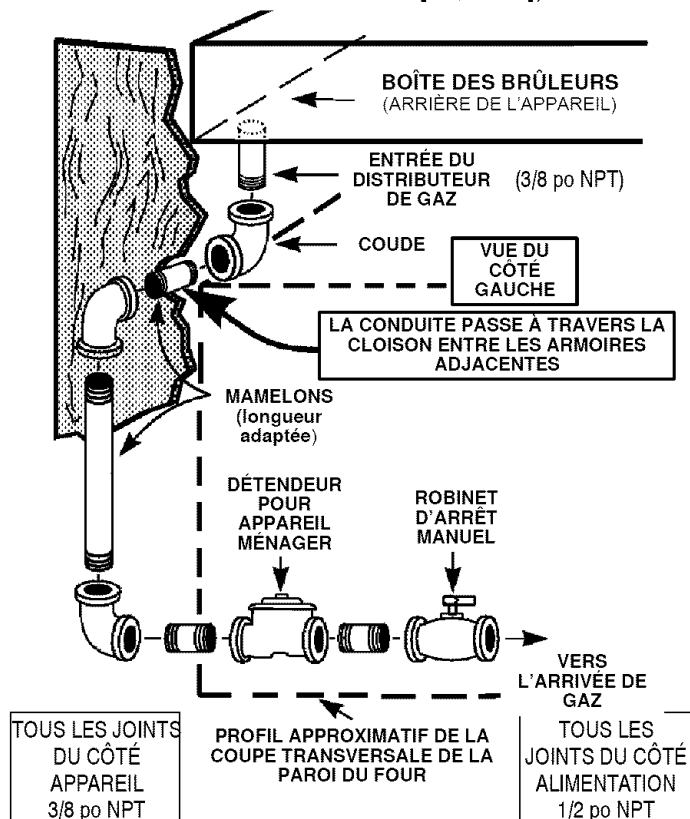


FIGURE 4

Remarque concernant la figure 4 ci-dessus :

- Pour plus de facilité à l'entretien, un raccord-union (non montré : disponible localement) doit être intégré à la conduite illustrée à la figure 4, à l'endroit le plus pratique pour la pose. En général, ce sera dans l'armoire au-dessous de l'appareil, près de l'entrée du distributeur de gaz, plutôt que dans une armoire adjacente.
- Si la méthode alternative montrée à la figure 5 est sélectionnée, aucun raccord-union n'est nécessaire. (Le raccord flexible illustré offre les joints de raccord nécessaires pour permettre les interventions de service après-vente.) En cas de présence d'une cloison, si un raccord flexible est utilisé, il est recommandé, pour plus de commodité à la pose comme pour le service après-vente, que le raccord flexible traverse la cloison. **Tout raccord flexible utilisé avec cet appareil doit satisfaire aux conditions indiquées dans le texte qui accompagne la figure 5.**

Autres méthodes de raccordement de l'appareil à l'alimentation en gaz

LE RACCORDEMENT AU GAZ DOIT ÊTRE EFFECTUÉ PAR UN TECHNICIEN AYANT REÇU LA FORMATION APPROPRIÉE OU PAR UN INSTALLATEUR D'APPAREILS À GAZ. La vérification de l'absence de fuites sera effectuée par l'installateur conformément aux directives fournies.

Sauf si les codes et règlements locaux l'interdisent, un raccord flexible métallique neuf homologué A.G.A. peut être utilisé pour raccorder cet appareil à l'alimentation en gaz. Le raccord flexible ne doit pas faire plus de 1,52 m (5 pieds) de long. Tel qu'illustré à la figure 5, utiliser un adaptateur à raccord-union approprié à chaque extrémité du raccord flexible. Si un raccord flexible est utilisé, veiller à ce que le détendeur de l'appareil et le robinet d'arrêt soient raccordés solidement à une autre conduite rigide de l'appareil (conduite de gaz ou distributeur de gaz de l'appareil), de façon à conserver une position fixe. Voir l'illustration ci-dessous :

ATTENTION : Ne pas raccorder le raccord flexible directement à un filetage de conduite extérieure. Il faut utiliser des adaptateurs à raccord-union.

IMPORTANT

Appliquer du liquide de détection de fuites non corrosif sur tous les joints et raccords entre le robinet de la conduite de gaz et l'appareil. Inclure les joints et raccords de l'appareil si ceux-ci ont pu se trouver desserrés pendant la mise en service. Vérifier les fuites ! Si des bulles apparaissent autour des joints et des raccords, il y a une fuite. En cas de fuite, fermer le robinet d'alimentation de gaz, serrer les raccords, puis ouvrir le robinet de gaz et revérifier s'il y a des fuites. Ne jamais vérifier l'absence de fuites à l'aide d'une flamme.

Vérification de la pression

L'appareil à gaz doit être coupé des conduites de gaz en fermant son robinet d'arrêt individuel pendant toute vérification de la pression dans les conduites de gaz à une pression égale ou inférieure à 3,5 kPa (0,5 lb/po²).

L'appareil à gaz et son robinet d'arrêt doivent être désolidarisés des conduites de gaz pendant toute vérification de la pression à une pression supérieure à 3,5 kPa (0,5 lb/po²).

Le gaz naturel doit être amené au détendeur à une pression 1,5 à 3,5 kPa (de 6 à 14 pouces de colonne d'eau) ; en cas de conversion au gaz GPL, la pression dans la conduite doit être de 2,5 à 2,75 kPa (11 à 14 pouces de colonne d'eau).

ILLUSTRATION D'UNE MÉTHODE ALTERNATIVE

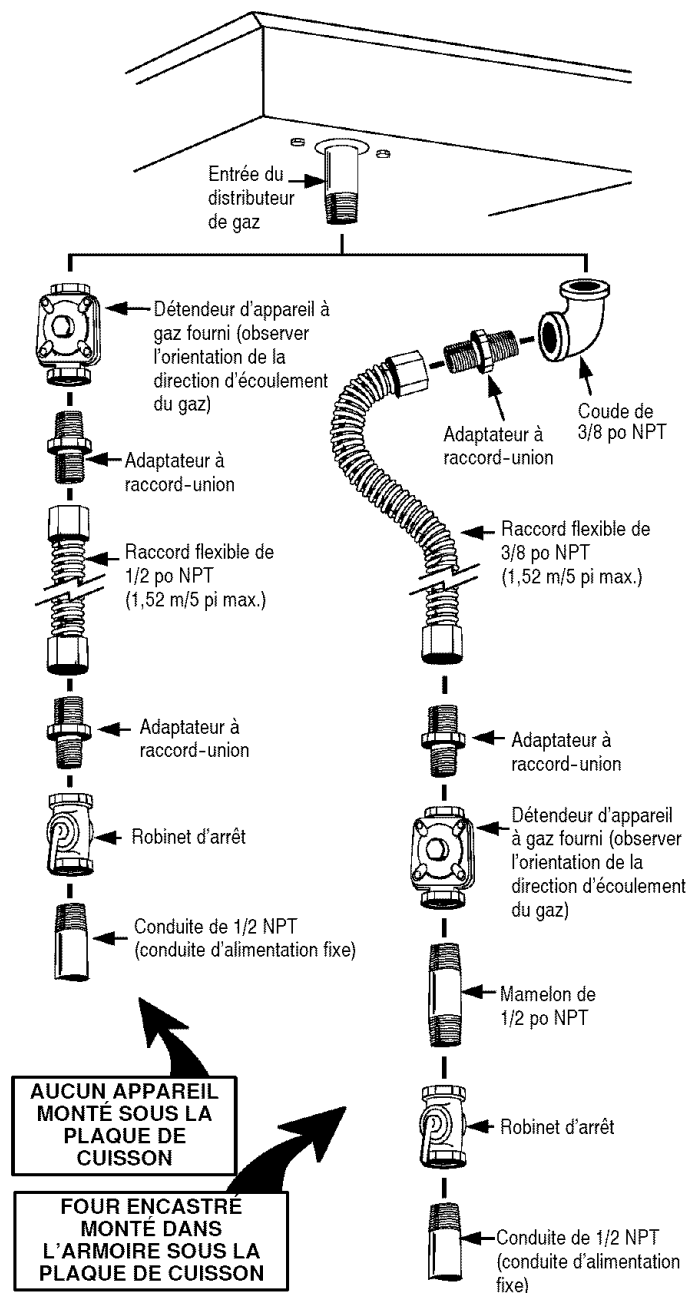


FIGURE 5

Câblage électrique

Cet appareil est équipé d'un cordon d'alimentation avec raccordement à la terre. Il doit être branché dans une prise de courant reliée à la terre. Il est recommandé, pour plus de facilité, que la prise soit placée (en référence à la figure 6) tel qu'indiqué en A ou B.

- Si aucun autre appareil ne doit être posé sous cette plaque de cuisson dans le périmètre de la partie ombrée ou de la partie hachurée indiquée à la figure 6.
- Si un modèle de four électrique encastré JJW8530, JJW9530 ou JJW8130 doit être posé sous cet appareil, placer la prise, au choix :
 - dans la partie hachurée indiquée à la figure 6 ou
 - dans une armoire adjacente.

Si un four encastré doit être posé sous cet appareil et que la prise de l'appareil monté sur le comptoir doit être posée dans la partie hachurée indiquée à la figure 6 :

- Le panneau avant de l'armoire qui se trouve sous le four doit être posé de façon à être amovible pour permettre l'accès à la prise.
- Un trou (diamètre de 3,2 cm [1 1/4 po] recommandé) doit être prévu dans la tablette de support du four et, le cas échéant, dans les lattes supportant la tablette, pour la fiche du cordon d'alimentation. Ce trou doit se trouver aussi près que cela est pratique de l'arrière de la tablette.

Si la prise doit être montée dans une armoire adjacente à gauche ou à droite, un trou comme celui décrit ci-dessus doit être pratiqué dans la cloison entre les armoires. La figure 4, page 5, illustre une cloison type (côté gauche). Le trou pour la fiche (non montré à la figure 4) peut être placé à l'endroit le plus pratique de cette cloison gauche ou au point correspondant de la cloison droite.

Lors de la planification, noter que la longueur libre du cordon d'alimentation de cet appareil est de 117 cm (46 pi). Le cordon d'alimentation sort du dessous de la boîte des brûleurs en un point situé à 5,7 cm (2 1/4 po) à gauche de la paroi droite de la boîte des brûleurs et 4 cm (1 9/16 po) en avant de la paroi arrière de la boîte des brûleurs, vu de l'avant de l'appareil.

L'utilisateur pourra occasionnellement avoir des problèmes de panne de courant si une prise avec disjoncteur de fuite à la terre ou un disjoncteur sont utilisés.

⚠ AVERTISSEMENT

Mise à la terre

Cet appareil est muni d'une fiche à trois broches avec mise à la terre pour assurer la protection contre les risques d'électrocution et doit être branché directement dans une prise de courant correctement reliée à la terre. Ne pas enlever ni couper la broche de terre de cette fiche électrique.

⚠ AVERTISSEMENT

CET APPAREIL DOIT ÊTRE DÉBRANCHÉ DE LA PRISE MURALE AVANT TOUTE INTERVENTION DE SERVICE APRÈS-VENTE.

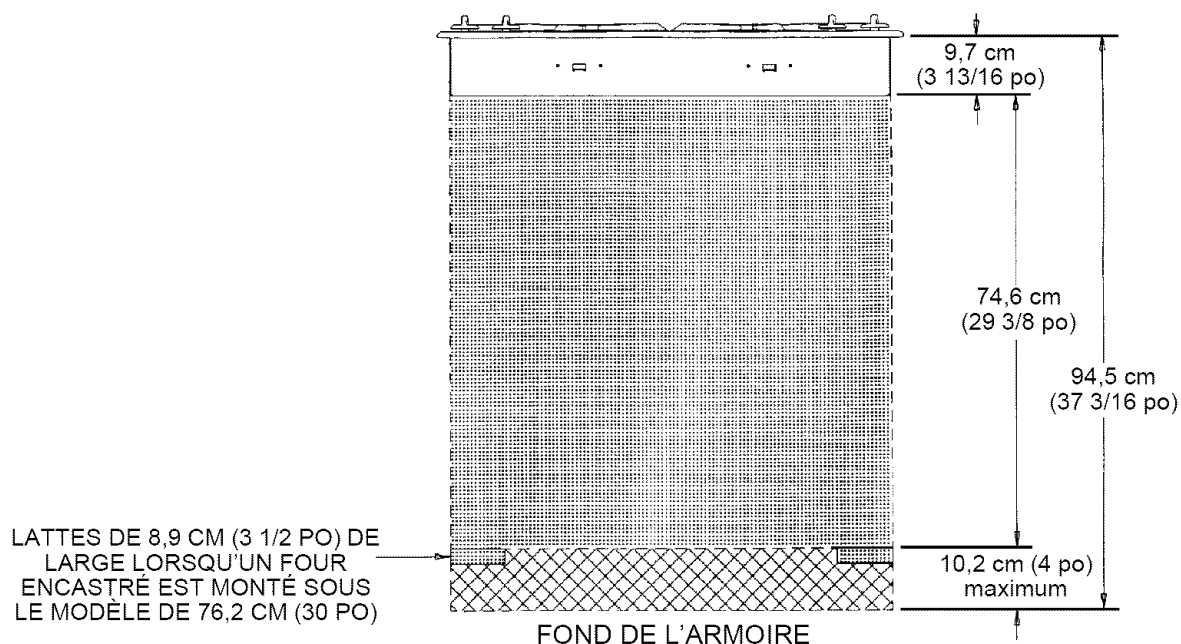


FIGURE 6

Conversion de l'appareil au gaz GPL

AVERTISSEMENT

La conversion au propane doit être effectuée par un PRESTATAIRE DE SERVICE AGRÉÉ JENN-AIR (ou tout autre service qualifié) conformément aux consignes du fabricant et à tous les codes et exigences de toutes autorités compétentes. La non-observation des consignes pourrait donner lieu à des blessures graves ou des dégâts. Le prestataire de service qualifié qui effectue la conversion en assume l'entière responsabilité.

AVERTISSEMENT

Fermer le gaz et l'électricité avant de procéder à la conversion.

Cet appareil est réglé sur le gaz naturel en usine. Pour le convertir au gaz GPL (propane ou butane), effectuer chacune des modifications suivantes (A, B et C) :

A. REMPLACER TOUS LES RACCORDS À ORIFICE

Étape 1 : Enlever les grilles et les capuchons des brûleurs.

Étape 2 : Retirer le socle du brûleur ; pour cela, enlever les 2 vis à 6 lobes (T-15). (Voir la figure 7.) Laisser le fil du dispositif d'allumage attaché au socle.

Étape 3 : Pousser fermement un *tourne-écrou* de 7 mm (ou 9/32 po) sur l'injecteur à orifice (figure 7) et desserrer l'injecteur en le tournant dans le sens anti-horaire. Retirer doucement le tourne-écrou du col du brûleur. L'injecteur à orifice doit se trouver pris dans le creux. Répéter pour chaque brûleur.

DÉPOSE DE L'INJECTEUR À ORIFICE

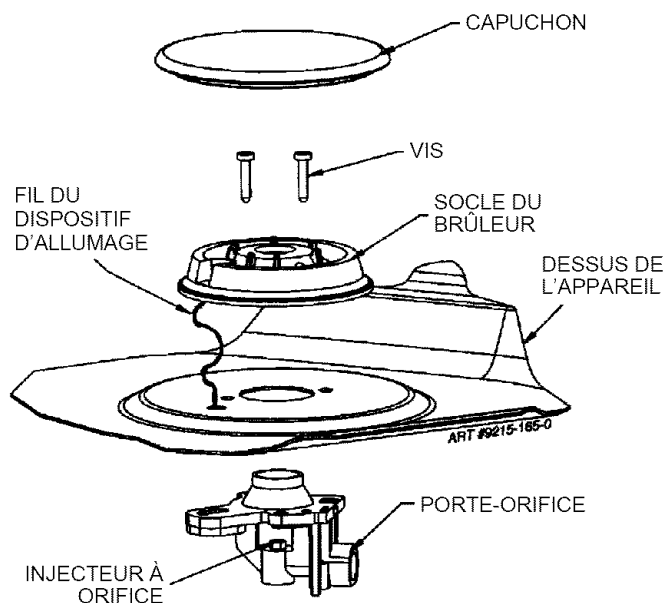


FIGURE 7

POSE D'INJECTEURS À ORIFICE ET DE RÉDUCTEURS DE DÉBIT POUR GPL

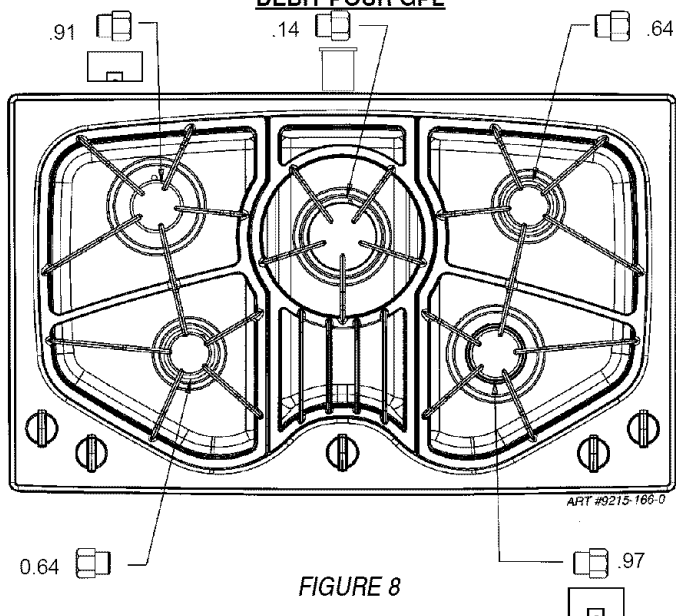


FIGURE 8

Étape 4 : Trouver le paquet d'injecteurs à orifice GPL inclus avec la documentation. Les injecteurs ont un nombre estampillé en petits chiffres sur le côté. Ce nombre est un code du diamètre de l'orifice et de l'emplacement du brûleur où il doit être placé. Les figures 8 et 9 montrent l'emplacement correct d'un injecteur à orifice pour GPL. Des injecteurs sont fournis qui ne sont pas nécessaires pour le modèle JGC8430.

Étape 5 : Monter soigneusement l'injecteur à orifice dans le col de brûleur correspondant en le tournant dans le sens horaire pour serrer. Serrer à un couple de 1,7 à 2,3 N.m (15 à 20 po-lb).

Étape 6 :

JGC8430 – 76.2 CM/30 PO - Placer un ou plusieurs réducteurs de débit pour brûleurs de 9,1 / 10,5 kBTU dans les porte-orifices arrière droit et gauche (voir figure 9) avec le biseau orienté vers le bas (voir la figure 10).

JGC8536 – 91,4 CM/36 PO - Placer un ou plusieurs réducteurs de débit pour brûleurs de 9,1 / 10,5 kBTU dans les porte-orifices avant droit et arrière gauche avec le biseau orienté vers le bas (voir la figure 10).

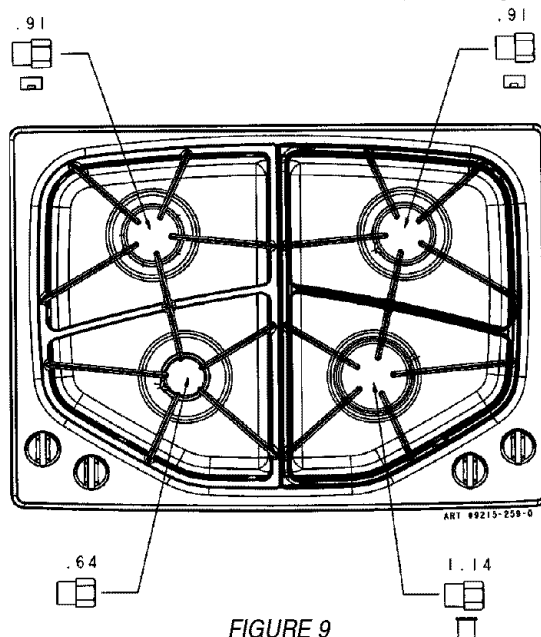


FIGURE 9

Utilisation en haute altitude

Les valeurs nominales indiquées pour les brûleurs s'appliquent en général aux élévations de 600 m (2 000 pi) maximum. Pour des altitudes plus élevées, ces chiffres pourront devoir être réduits pour assurer un fonctionnement correct.

Un prestataire de service agréé local spécialiste du gaz sera en mesure de vous conseiller.

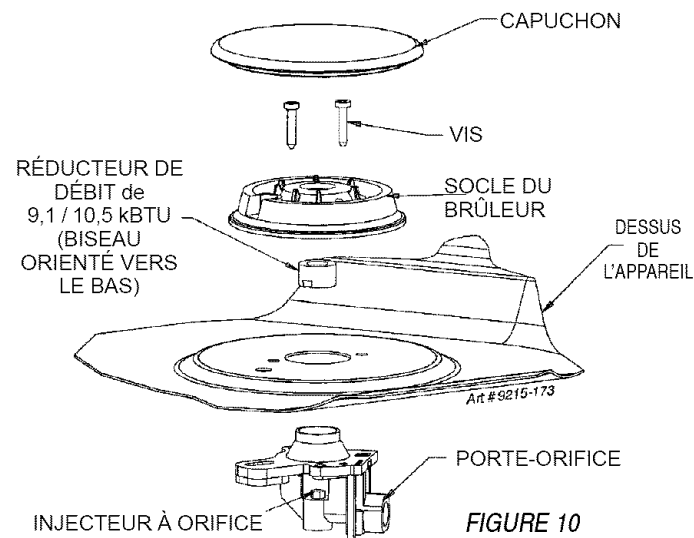


FIGURE 10

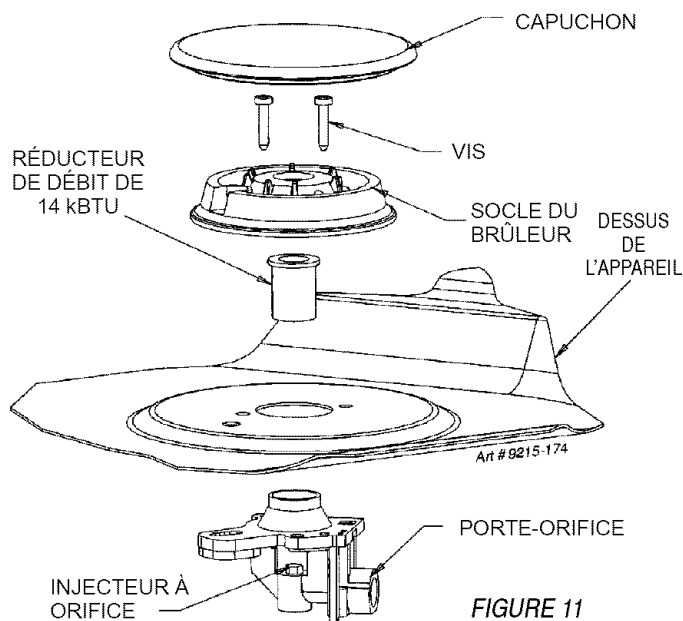


FIGURE 11

Étape 7 :

JGC8430 – 76,2 CM / 30 PO - Placer le réducteur de débit de 14 kBTU dans le porte-orifice avant droit (voir figure 11).

JGC8536 – 91,4 CM / 36 PO - Placer le réducteur de débit de 14 kBTU dans le porte-orifice central (voir figure 11).

Étape 8 : Remettre le socle, les capuchons et les grilles des brûleurs. Serrer les vis à 6 lobes (T-15) (ne pas les foier) à 2,8 - 3,4 N.m (25 - 30 po-lb).

Étape 9 : Mettre les orifices déposés de côté pour usage ultérieur.

Étape 10 : Signer et apposer les étiquettes fournies dans le nécessaire de conversion des orifices sur le fond de l'appareil.

B. INVERSER LE CAPUCHON DANS LE DÉTENDEUR DE L'APPAREIL (Voir la figure 12)

Une fois l'appareil en place, le détendeur doit se trouver à l'emplacement indiqué à la figure 3 ou 4.

CONVERSION DU DÉTENDEUR DE L'APPAREIL

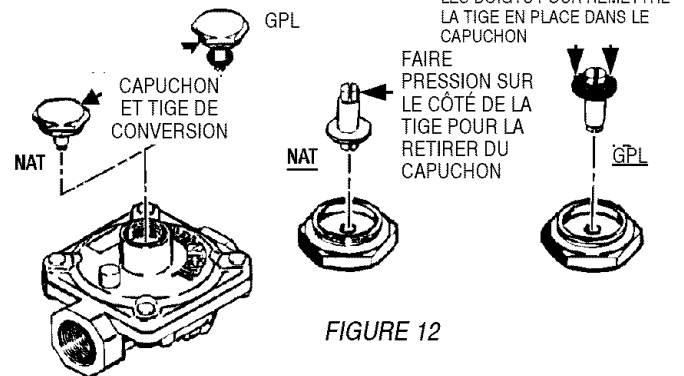


FIGURE 12

C. RÉGLAGE DE LA FLAMME À FEU DOUX (Voir la figure 13)

La flamme à feu doux et plein feu des brûleurs de cet appareil est réglée en usine pour un usage avec du gaz naturel. Pour la régler au GPL, procéder comme suit :

1. Retirer le bouton de commande de la tige.

ATTENTION : NE JAMAIS UTILISER DE LAME MÉTALLIQUE POUR FAIRE LEVIER SUR LE BOUTON POUR L'ENLEVER. SI LE BOUTON NE S'ENLÈVE PAS FACILEMENT, GLISSER UN LINGE À VAISSELLE PLIÉ SOUS LE BOUTON ET TIRER LE LINGE À VAISSELLE VERS LE HAUT EN EXERÇANT UNE PRESSION RÉGULIÈRE ET UNIFORME.

2. Enlever le passe-fil en caoutchouc avec précaution.
3. Repérer la vis de réglage du bouton de commande. Voir la figure 13.
4. Insérer un tournevis à lame fine dans le trou du bouton et insérer la lame dans la fente de la vis de réglage.
5. Serrer la vis de réglage à fond dans le sens horaire (0,6 à 0,8 N.m [5 à 7 po-lb] max.). Ne pas trop serrer.
6. Remettre le passe-fil en caoutchouc en place ainsi que le bouton de réglage.
7. Faire de même avec les autres brûleurs.

VUE DANS LE TROU DU BOUTON

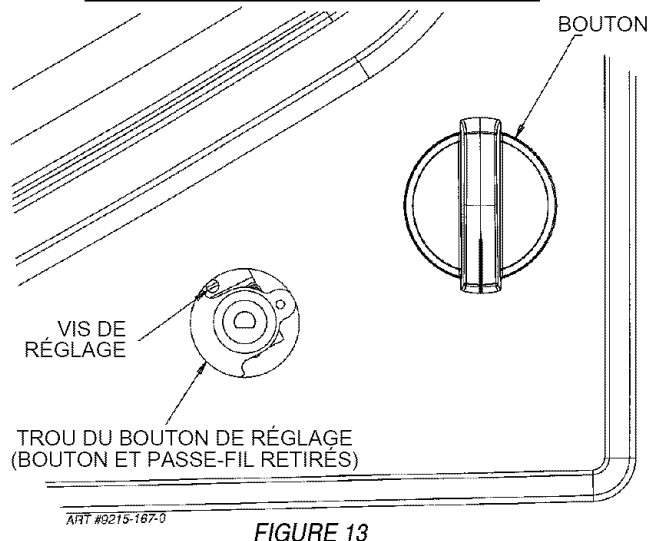


FIGURE 13

Une fois l'intervention précédente terminée, le brûleur doit produire une flamme stable, bleue et d'une longueur minimum. Le réglage doit être vérifié en faisant tourner le bouton de feu doux à plein feu et vice versa à plusieurs reprises sans que la flamme s'éteigne.

Le réglage à feu doux ci-dessus assure automatiquement une flamme correcte au réglage à feu moyen.

Une fois les étapes A, B et C de la conversion terminées, vérifier l'apparence de la flamme de chaque brûleur Lo (à feu doux) et Hi (à plein feu) par rapport à la figure 14. Si la flamme paraît trop grande ou trop petite, revoir chaque étape pour s'assurer qu'elle a été effectuée correctement.

APPARENCE DE LA FLAMME HI (À PLEIN FEU) ET LO (À FEU DOUX)

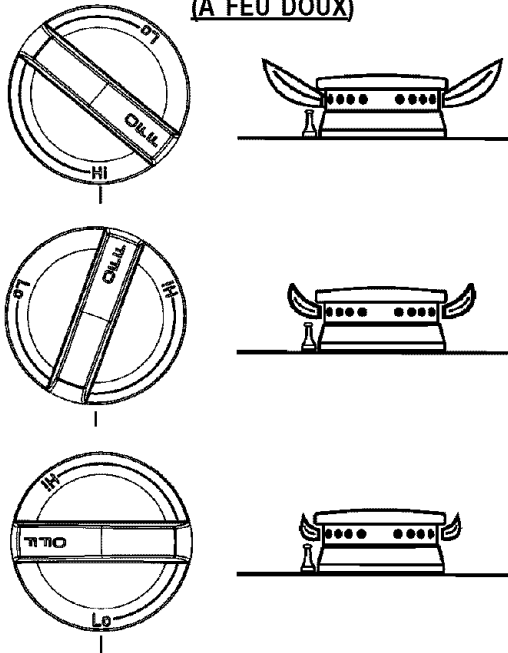


FIGURE 14

Pour convertir l'appareil au gaz naturel



AVERTISSEMENT

Fermer le gaz et l'électricité avant de procéder à la conversion.

Si cet appareil a été converti au GPL, chacune des modifications suivantes doit être effectuée pour le reconverter au gaz naturel.

A. REMPLACER TOUS LES INJECTEURS À ORIFICE

1. Effectuer les étapes 1 et 2 de la page 8.
2. **JGC8430 – 76,2 CM / 30 PO** - Retirer les réducteurs de débit des porte-orifices arrière gauche et droit et avant droit (voir les figures 10 et 11). S'il y a lieu, une simple attache de bureau peut être utilisée pour enlever les réducteurs de débit arrière gauche et droit.

JGC8536 – 91,4 CM / 36 PO - Retirer les réducteurs de débit des porte-orifices arrière gauche, central et avant droit (voir les figures 10 et 11). S'il y a lieu, une

simple attache de bureau peut être utilisée pour enlever les réducteurs de débit avant et arrière gauche.

3. Effectuer l'étape 3 de la page 8.

4. Pour l'étape 5 : Trouver les injecteurs à orifice montés sur l'appareil à l'origine, avant sa conversion au GPL. Observer le nombre que porte chaque raccord et noter l'emplacement de brûleur correct pour chacun sur les figures 15 et 16.

Pose des injecteurs à orifice pour gaz naturel

MODÈLE À 4 BRÛLEURS (76 CM [30 PO] DE LARGE)

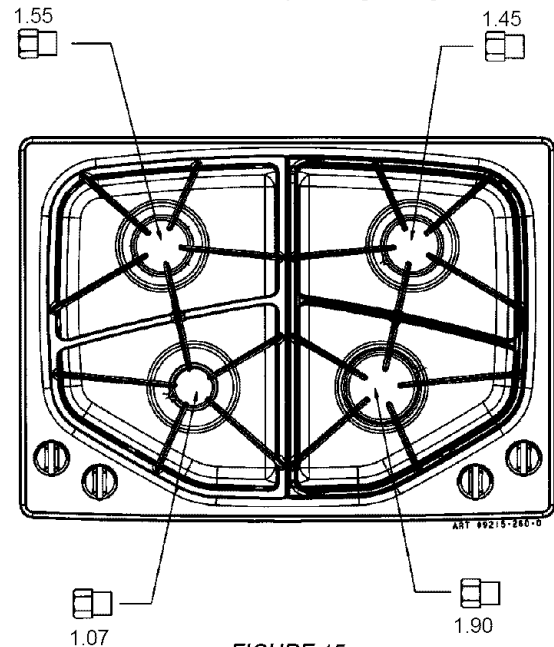


FIGURE 15

MODÈLE À 5 BRÛLEURS (91,4 CM [36 PO] DE LARGE)

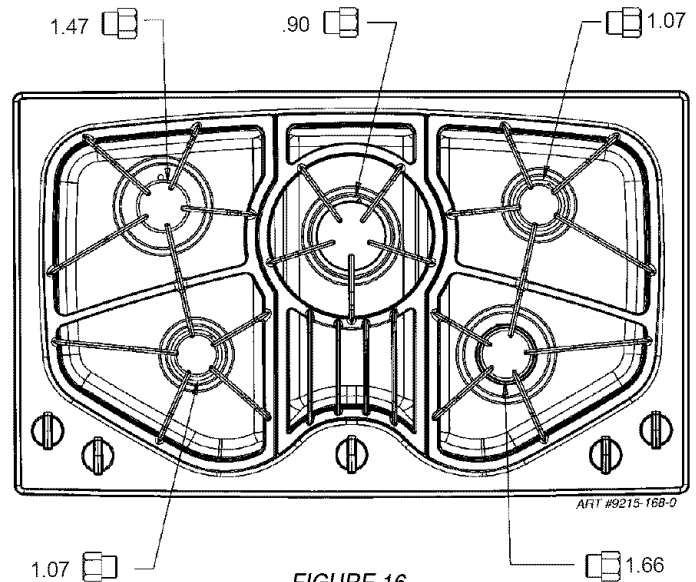


FIGURE 16

5. Effectuer les étapes 5, 8 et 9 des pages 8 et 9 pour terminer la pose des raccords à orifice pour gaz naturel, chacun à l'emplacement qui lui convient.
6. Mettre les orifices et les réducteurs de débit déposés de côté pour usage ultérieur. Ils seront nécessaires si l'appareil doit un jour être à nouveau converti au gaz GPL.

B. INVERSER LE CAPUCHON DANS LE DÉTENDEUR.

(Voir la figure 12.)

Une fois l'appareil en place, le détendeur doit se trouver à l'emplacement indiqué à la figure 3 ou 4 (pages 4 et 5). Identifier le type de détendeur de l'appareil et suivre les instructions de l'illustration qui convient.

C. RÉGLER LES BOUTONS DE COMMANDE AU GAZ NATUREL

1. Allumer un brûleur et le régler sur le feu doux.
2. Retirer le bouton.
3. Enlever les œillets en caoutchouc.
4. Repérer la vis de réglage du bouton de commande. Voir la figure 13.
5. Insérer un tournevis à lame fine dans le trou du bouton et insérer la lame dans la fente de la vis de réglage.
6. Commencer à la position correspondant au gaz GPL (voir le n° 5, page 9, sous C. RÉGLAGE DE LA FLAMME À FEU DOUX), puis tourner la vis dans le sens anti-horaire jusqu'à ce que la flamme se stabilise et ressemble à la flamme illustrée pour le réglage « LO » (feu doux) de la figure 14. Une flamme correctement réglée est stable, bleue et d'une longueur minimum. Le réglage final doit être vérifié en faisant tourner le bouton de feu doux à plein feu et vice versa à plusieurs reprises sans que la flamme s'éteigne.

Une fois les étapes A, B et C de la conversion terminées, vérifier l'apparence de la flamme de chaque brûleur Lo (à feu doux) et Hi (à plein feu) contre la figure 14. Si la flamme paraît trop grande ou trop petite, s'assurer que chaque étape a été effectuée correctement.

Allumage des brûleurs et réallumage automatique

Cet appareil est à allumage automatique, avec un dispositif d'allumage à étincelles à l'arrière de chaque brûleur. Les brûleurs sont conçus pour s'allumer dès que le bouton est suffisamment tourné pour assurer un débit de gaz capable de produire une flamme et pour se réallumer si la flamme s'éteint suite à un courant d'air ou autre. Cette fonctionnalité est offerte pour assurer un plus grand confort d'emploi et non pas comme caractéristique de sécurité.

ATTENTION : Ne jamais couvrir les boutons de commande ou leur pourtour avec des ustensiles, des torchons ou autres objets. Ne jamais faire obstruction au passage de l'air dans les ouvertures des boutons de commande. Ces ouvertures sont de dimensions calculées pour contrôler l'apport d'air à l'intérieur de l'appareil au cours de son fonctionnement.

Cet appareil ne possède pas d'obturateurs d'air. Le réglage de l'apport d'air est inutile. Les brûleurs sont conçus pour assurer un apport d'air optimum sans utiliser

d'obturateurs d'air, quel que soit le gaz. S'ils fonctionnent correctement, les brûleurs produisent une flamme uniformément bleue et clairement définie. Si la flamme est teintée de jaune à la pointe, qu'elle manque de définition ou qu'elle semble avoir un apport d'air insuffisant, faire appel à un technicien de service après-vente qualifié. Il est normal que la flamme présente une pointe légèrement jaune avec le GPL.

Les débits d'arrivée prévus sont indiqués à la figure 15 ci-dessous.

MODÈLE À 4 BRÛLEURS (76,2 cm [30 po] de large)

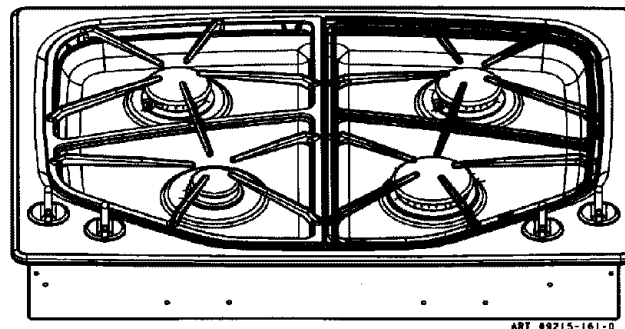


FIGURE 17

JGC8430 76,2 CM (30 PO) JENN-AIR		
Emplacement du brûleur	Hi (plein feu)	Lo (feu doux)
Avant droit	15 000 / 14 000	2 000 / 2 000
Arrière droit	9 200 / 9 100	1 400 / 1 550
Avant gauche	5 000 / 4 000	650 / 850
Arrière gauche	10 500 / 9 100	1 450 / 1 550

MODÈLE À 5 BRÛLEURS (91,4 cm [36 po] de large)

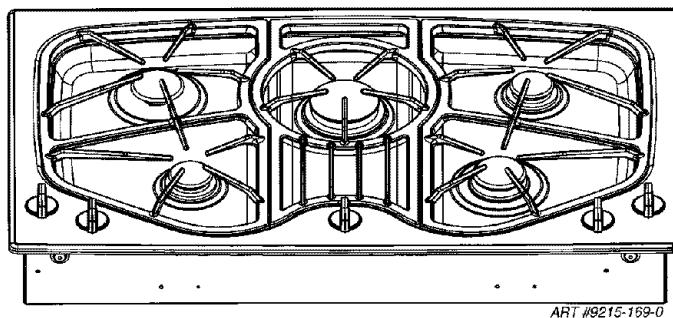


FIGURE 18

JGC8536 91,4 CM (36 PO) JENN-AIR		
EMPLACEMENT DU BRÛLEUR	Hi (plein feu)	Lo (feu doux)
Avant droit	12 500 / 10 500	1450 / 1600
Arrière droit	5 000 / 4 200	650 / 850
Avant gauche	5 000 / 4 200	650 / 850
Arrière gauche	9 200 / 9 100	1 450 / 1 550
Centre	15 000 / 14 000	2 000 / 2 000

Fixation de l'appareil au comptoir Appareil Jenn-Air de 76,2 cm (30 po)

IMPORTANT

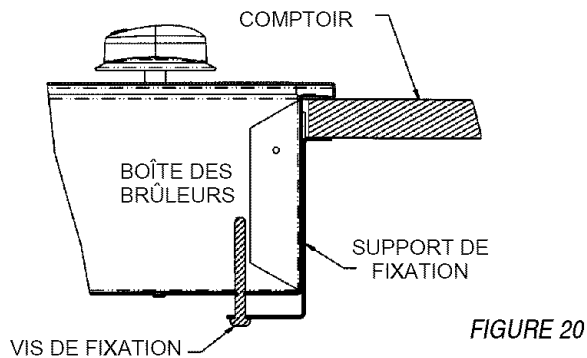
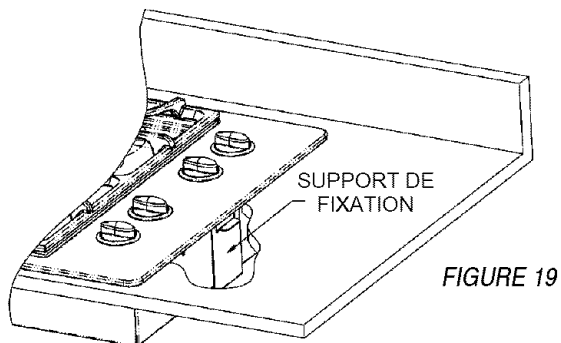
Deux supports de fixation sont fournis pour fixer la plaque de cuisson au comptoir. Utiliser les supports de fixation, un à gauche et un à droite, pour fixer l'appareil au comptoir. Des supports de fixation additionnels peuvent être ajoutés à l'avant et/ou à l'arrière. Contacter le magasin ou le prestataire de service après-vente agréé.

Positionner la plaque de cuisson dans la découpe.

Ouvrir les portes de l'armoire et repérer les trous pour vis à gauche et à droite du fond de l'appareil. Les trous sont à mi-chemin entre l'avant et l'arrière de l'appareil et à approximativement 3,2 cm (1 1/4 po) du rebord de chaque côté.

Visser les longues vis de fixation fournies dans les supports de fixation.

Serrer les vis de façon à maintenir fermement l'appareil contre le comptoir. Voir les figures 19 et 20. **Ne pas trop serrer.**



Dépose de la plaque de cuisson pour les interventions de service après-vente

Suivre les indications ci-dessous pour déposer l'appareil aux fins de dépannage.

1. Fermer l'alimentation en gaz au niveau de l'appareil.
2. Débrancher l'appareil de l'alimentation électrique s'il y a lieu.
3. Désolidariser la conduite d'alimentation en gaz de l'appareil.
4. Enlever les supports de fixation. (Voir la figure 19.)
5. Procéder inversement pour remettre l'appareil en place. Si la conduite de gaz a été désolidarisée de l'appareil, vérifier qu'il n'y a pas de fuites une fois le raccordement effectué.

REMARQUE : Il est fortement recommandé que l'appareil soit désolidarisé de l'alimentation en gaz et raccordé à nouveau par un technicien de service après-vente qualifié.

La personne effectuant le dépannage **DOIT** suivre les instructions de mise en service fournies avec le raccord à gaz de l'appareil ainsi que sur l'étiquette de mise en garde fixée au raccord.

Appareil Jenn-Air de 91,4 cm (36 po)

IMPORTANT

Pour fixer la plaque de cuisson au comptoir, des fentes pour les brides de fixation sont prévues sur tous les côtés de l'appareil pour permettre diverses configurations de montage. Deux brides sont fournies. Certaines configurations de comptoir peuvent ne pas laisser un accès suffisant pour les vis de fixation (et/ou les vis de stabilisation) d'un ou plusieurs côtés de l'appareil. Utiliser les supports de fixation et, si possible, les vis de stabilisation, un(e) à gauche et un(e) à droite, pour fixer l'appareil au comptoir. Des supports de fixation et des vis de stabilisation additionnels peuvent être ajoutés à l'avant et/ou à l'arrière.

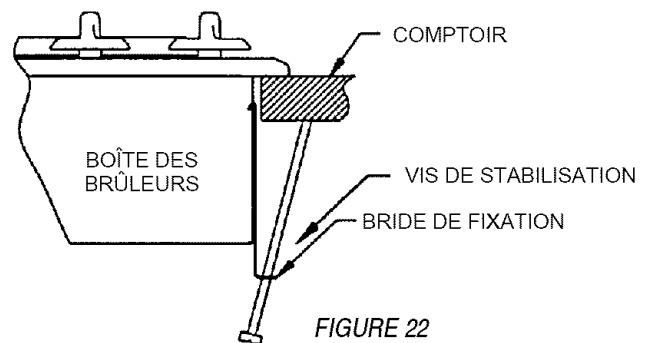
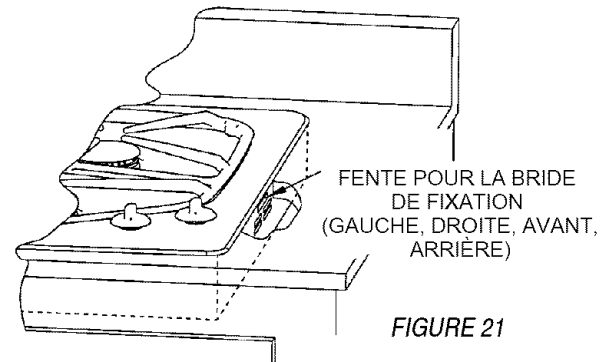
Commander la pièce référence 12001977 auprès du revendeur.

Positionner la plaque de cuisson dans la découpe.

Ouvrir les portes de l'armoire et accrocher les supports de fixation dans les fentes prévues dans la boîte de brûleurs (voir les figures 21 et 22). Fixer en place à l'aide de la ou des courtes vis de stabilisation fournies. Une clé à douille ou un tourne-écrou de 1/4 po pourra être nécessaire pour serrer les vis courtes. **Ne pas trop serrer.**

Visser les longues vis de fixation fournies dans les supports de fixation.

Serrer les vis de façon à maintenir fermement l'appareil contre le comptoir. Voir la figure 22. **Ne pas trop serrer.**



Informations sur les pièces de rechange

Pour toutes pièces de rechange et tout service après-vente, contacter le magasin ou un prestataire de service après-vente agréé. Veiller à donner le numéro de modèle et les numéros de série complets de la plaque de cuisson, qui se trouvent sur la plaque signalétique de l'appareil.