

INSTALLATION INSTRUCTIONS

FREESTANDING 30" ELECTRIC DOUBLE OVEN RANGE

INSTALLATION AND SERVICE MUST BE PERFORMED BY A QUALIFIED INSTALLER.

IMPORTANT: SAVE FOR LOCAL ELECTRICAL INSPECTOR'S USE. READ AND SAVE THESE INSTRUCTIONS FOR FUTURE REFERENCE.



⚠ WARNING FOR YOUR SAFETY: Do not store or use gasoline or other flammable vapors and liquids in the vicinity of this or any other appliance.

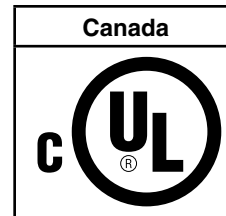


Table of Contents

Important Notes to the installer	1	5. Electrical Connection Requirements (Canada Only) ..	5
Important Note to the Customer	1	6. Electrical Connection requirement	
1. Clearances and Dimensions.....	2	(United States Only)	5-7
2. Tools You Will Need	3	7. Checking Operation.....	7
3. Anti-tip Bracket Installation Instructions		Before You Call For Service	7
Important Safety Warning	3-4	Notes	8
4. Serial Plate Information	4		

Important Notes to the Installer

1. Read all instructions contained in these installation instructions before installing range.
2. Remove all packing material from the oven and the drawer compartments before connecting the electrical supply to the range.
3. Observe all governing codes and ordinances.
4. Be sure to leave these instructions with the consumer.

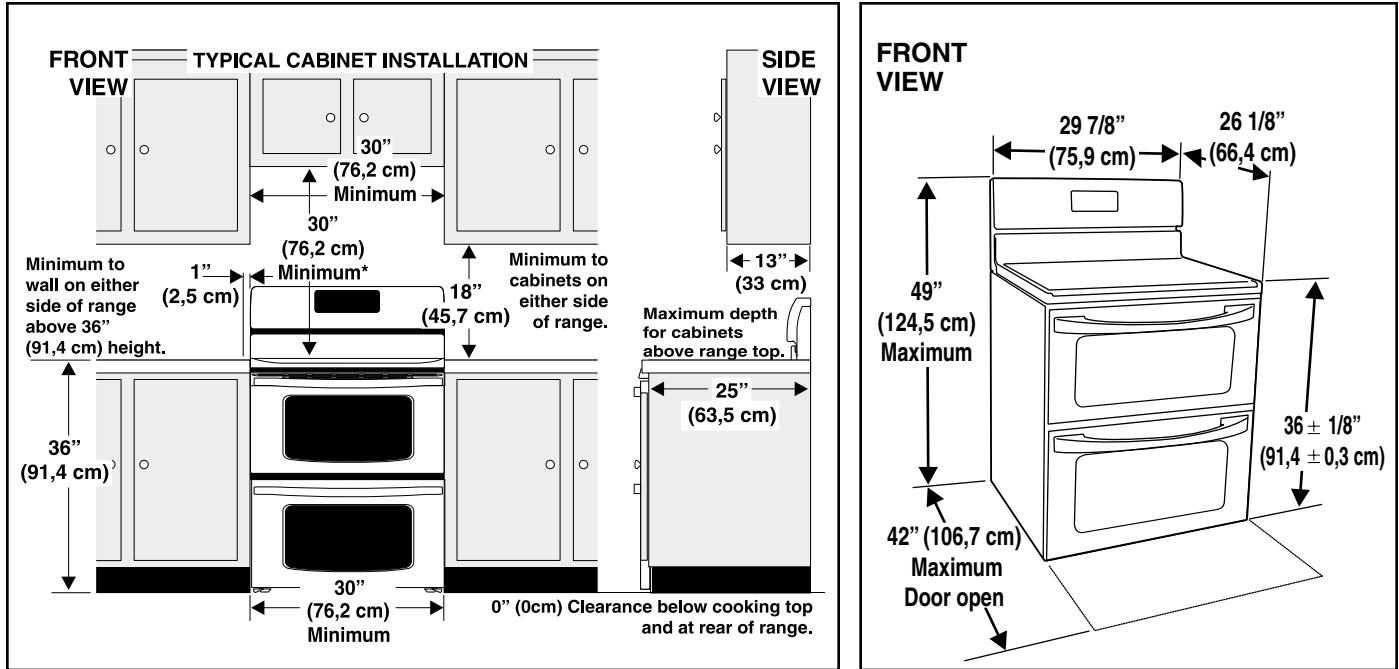
Important Note to the Consumer

Keep these instructions with your owner's guide for future reference.

30" ELECTRIC RANGE INSTALLATION INSTRUCTIONS

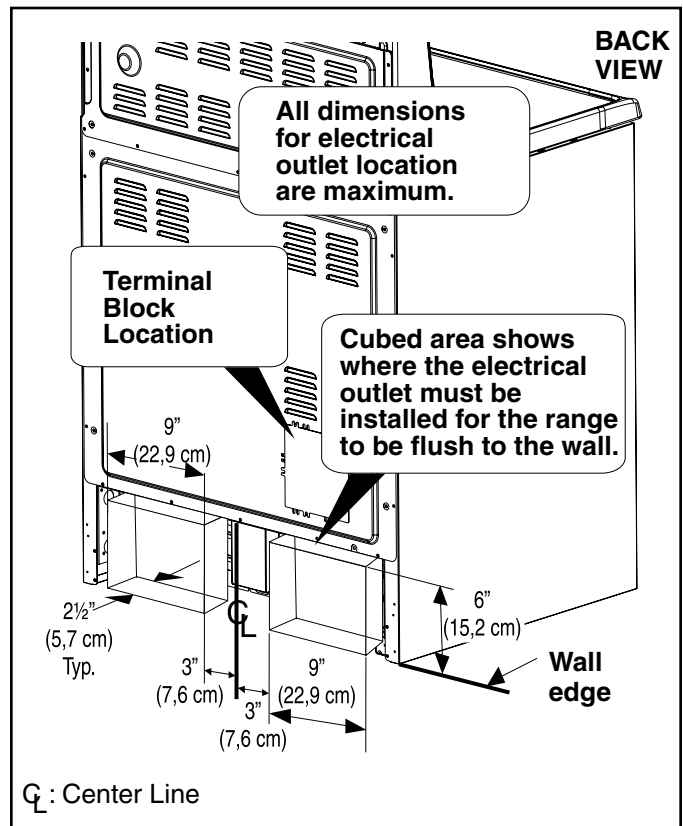
1. Clearances and Dimensions

- Provide adequate clearances between the range and adjacent combustible surfaces.
- Location—Check location where the range will be installed. Check for proper electrical supply and the stability of floor.
- Dimensions that are shown must be used. Given dimensions provide minimum clearance. Contact surface must be solid and level.



* 30" (76,2 cm) minimum clearance between the top of the cooking surface and the bottom of an unprotected wood or metal cabinet; or 24" (61 cm) minimum when bottom of wood or metal cabinet is protected by not less than 1/4" (0,6 cm) flame retardant millboard covered with not less than no. 28 MSG sheet steel, 0,015" (0,04 cm) stainless steel, 0,024" (0,06 cm) aluminum or 0,020" (0,05 cm) copper. The minimum clearance is 0" (0 cm) for the rear of the range. Follow all dimension requirements provided above to prevent property damage, potential fire hazard, and incorrect countertop and cabinet cuts.

Avoid locating cabinet storage space above the surface units to eliminate the possibility of cabinets catching on fire, or personal burns from reaching for the cabinets over the heated units. If cabinet storage is to be provided, risk can be reduced by installing a range hood that projects horizontally a minimum of 5" (12,7 cm) beyond the bottom of the cabinets.

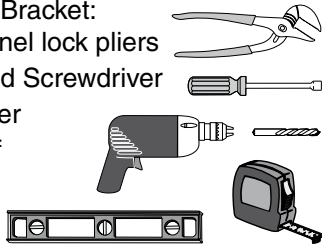


30" ELECTRIC RANGE INSTALLATION INSTRUCTIONS

2. Tools You Will Need

For leveling legs and Anti-Tip Bracket:

- Adjustable wrench or channel lock pliers
- 5/16" Nutdriver or Flat Head Screwdriver
- Electric Drill & 1/8" Diameter Drill Bit (Masonry Drill Bit if installing in concrete)
- Level & Measuring Tape



For electrical supply connection:

- 1/4" & 3/8" Socket driver or Nutdriver



Additional Materials You Will Need:

- Power Supply Cord or
- Copper Electrical Wiring & Metal Conduit (for hard wiring)



3. Anti-tip Bracket Installation Instructions Important Safety Warning

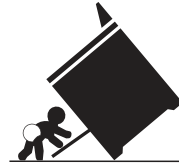
To reduce the risk of tipping of the range, the range must be secured to the floor by the properly installed anti-tip bracket and screws packed with the range. Failure to install the anti-tip bracket will allow the range to tip over if excessive weight is placed on an open door or if child climbs upon it. Serious injury might result from spilled hot liquids or from the range itself.

If range is ever moved to a different location, the anti-tip brackets must also be moved and installed with the range.

Instructions are provided for installation in wood or cement floor. When fastening to floor, be sure that screws do not penetrate electrical wiring or plumbing.

! WARNING

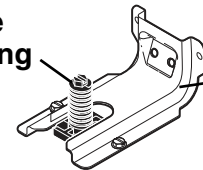
Tip Over Hazard



- A child or adult can tip the range and be killed.
- Verify the anti-tip device has been installed to floor or wall as per installation instructions.
- Ensure the anti-tip device is re-engaged to floor or wall when the range is moved.
- Do not operate the range without the anti-tip device in place and engaged.
- Failure to follow these instructions can result in death or serious burns to children and adults.



Range
Leveling
Leg



Anti-Tip
Bracket

To check if the anti-tip bracket is installed properly, use both arms and grasp the rear edge of range back. Carefully attempt to tilt range forward. When properly installed, the range should not tilt forward.

A. Locate the Bracket Using the Template -

Locate the bracket position (right or left side) by placing the template symmetrically to the center of the final range position. Mark the location of the screw holes, shown on template.



Figure 1

30" ELECTRIC RANGE INSTALLATION INSTRUCTIONS

B. Drill Pilot Holes and Fasten Bracket - Drill a 1/8" pilot hole where screws are to be located. If bracket is to be mounted to the wall, drill pilot hole at an approximate 20° downward angle. If bracket is to be mounted to masonry or ceramic floors, drill a 3/16" pilot hole 1-3/4" deep. The screws provided may be used in wood or concrete material. Use a 5/16" nut-driver or flat head screwdriver to secure the bracket in place.

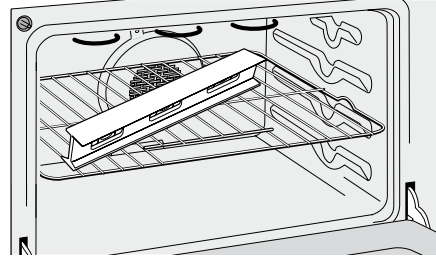


Figure 4

FASTEN BRACKET (WALL OR FLOOR MOUNTING)

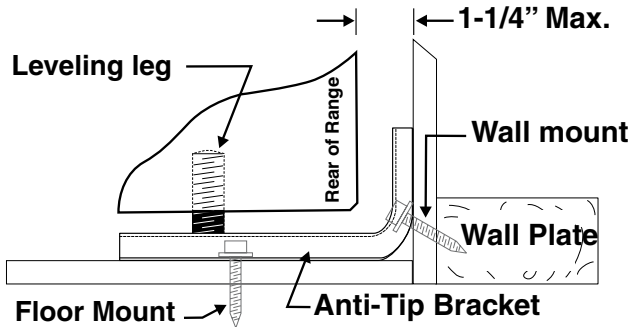


Figure 2

FASTEN BRACKET (FLOOR MOUNTING ONLY)

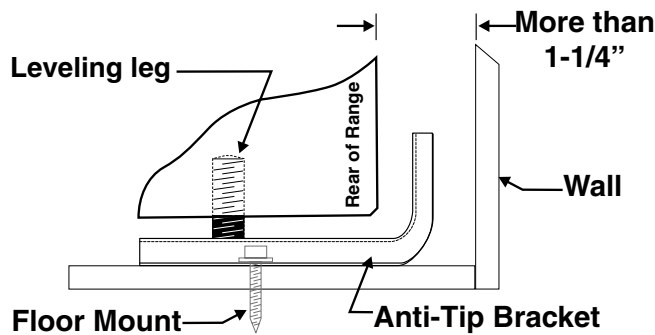


Figure 3

C. Level and position the range - Slide range to its final position. Insert the range leveling leg in the anti-tip bracket. Visually verify if the anti-tip bracket is engaged. Lower the range by adjusting the 4 leveling legs alternatively until the range is level. Check if the range is level by placing a spirit level on the oven rack. Take 2 readings with the spirit level placed diagonally; take a reading in one direction and then in the other direction. Level the range if necessary by adjusting the leveling legs.

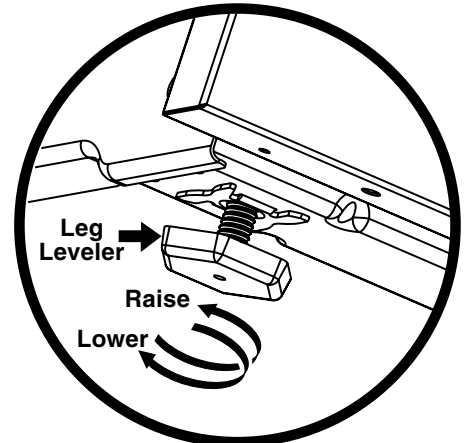
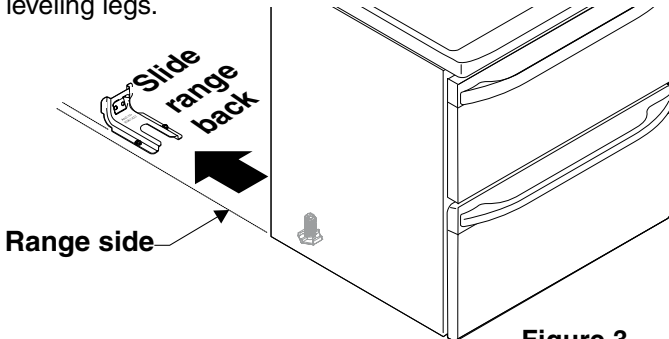


Figure 5

4. Serial Plate Information

The serial plate is located as shown. See the serial plate for the following information:

- Model, lot and serial number of range.
- Kilowatt rating (power requirements).
- Voltage ratings.

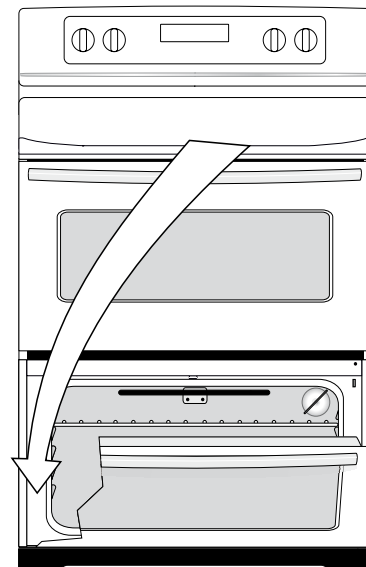
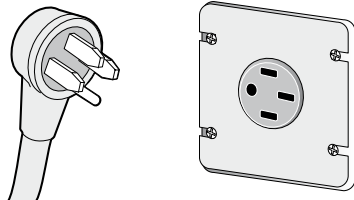


Figure 6

30" ELECTRIC RANGE INSTALLATION INSTRUCTIONS

5. Electrical Connection Requirements (Canada only)

Plug the range cable (4 conductors) into a 4 conductor range outlet. Outlet must be properly grounded and in accordance with the Canadian Electrical Code (CSA Standard (C22.1 Part 1 - latest edition)- and any local electrical code requirements.



Canada Style
Figure 7

6. Electrical Connection Requirements (United States only)

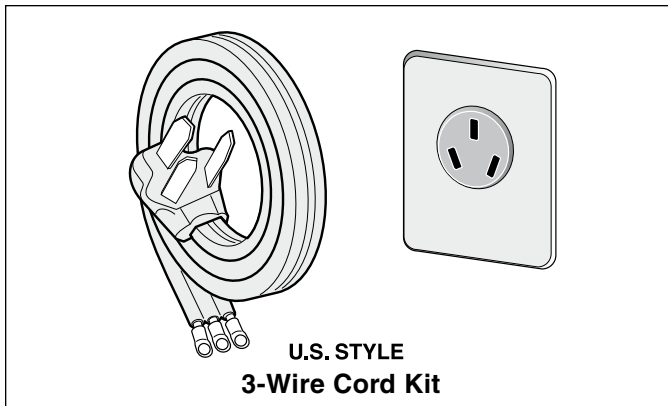
This appliance must be properly installed and grounded by a qualified technician in accordance with the National Electrical Code ANSI/NFPA No. 70--latest edition--and local electrical code requirements.

This appliance may be connected by means of permanent "Hard Wiring" or "Power Supply Cord Kit."

When hard wiring, do not leave excess wire in range compartment. Excess wire in the range compartment may not allow the access cover to be replaced properly, and could create a potential electrical hazard if wires become pinched. When using flexible conduit or range cable, use flex connector or range cable strain relief.

NOTE: Only use copper wire in connection to terminal block.

6.1 Models Requiring Power Supply Cord Kit



U.S. STYLE
3-Wire Cord Kit

The user is responsible for connecting the power supply cord to the connection block located behind the back panel access cover.

This appliance may be connected by means of permanent "hard wiring"; flexible armored or nonmetallic shielded copper cable (when local code allow it) or by means of a power supply cord kit.

NOTE: Electric Range is shipped from factory with 1 1/8" (2,9 cm) dia. hole as shown on figure 8. If a larger hole is required, punch out the knockout.

⚠ WARNING Risk of fire or electrical shock exists if an incorrect size range cord kit is used, the Installation Instructions are not followed, or the strain relief bracket is discarded.

For mobile homes, new installations or recreational vehicles, use only a power supply kit designed for a range at 125V/250V 50A recommended (minimum 40A). Cord must have either 3 (when local code permits grounding through neutral) or 4 conductors. Terminal on end of wires must be either closed loop or open spade lug with upturned ends. Cord must have strain-relief clamp. If a 50A circuit is used, a 50A power cord must be used.

⚠ CAUTION Do not loosen the nuts which secure the factory-installed range wiring to terminal block while connecting range. Electrical failure or loss of electrical connection may occur.

⚠ WARNING

Electrical Shock Hazard

- Electrical ground is required on this appliance.
- Do not connect to the electrical supply until appliance is permanently grounded.
- Disconnect power to the circuit breaker or fuse box before making the electrical connection.
- This appliance must be connected to a grounded, metallic, permanent wiring system, or a grounding connector should be connected to the grounding terminal or wire lead on the appliance.

Failure to do any of the above could result in a fire, personal injury or electrical shock.

⚠ WARNING This appliance is manufactured with the frame grounded by connection of a grounding strap between the neutral power supply terminal and the frame. If used in USA, in a new branch circuit installation (1996 NEC), mobile home or recreational vehicle, where local code do not permit grounding through neutral (white) wire or in Canada; remove the grounding strap from the frame and cut the other end, near the neutral terminal. Connect the appliance in usual manner.

30" ELECTRIC RANGE INSTALLATION INSTRUCTIONS

Three Conductor Wire Connection to Range

If local codes permit connection of the frame grounding conductor to the neutral wire of the copper power supply cord (see Figure 8):

1. Remove the screws from the access plate at the lower right end of the rear cover to expose range terminal connection block (See page 2).
2. Using the nuts supplied in the literature package, connect the neutral of the copper power supply cord to the center silver-colored terminal of the terminal block, and connect the other wires to the outer terminals. Match wires and terminals by color (red wires connected to the right terminal, black wires connected to the left terminal) (see figure 8).
3. Replace the terminal cover and replace the screws.

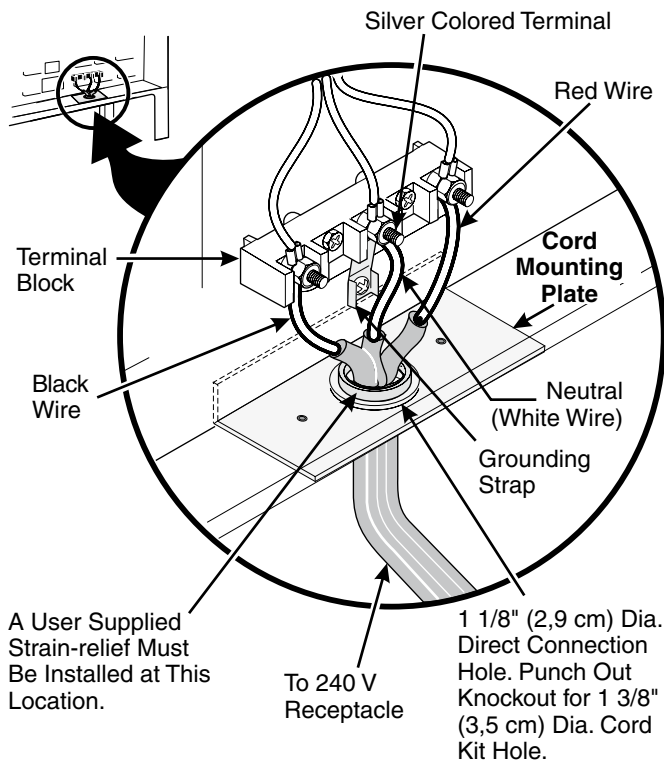
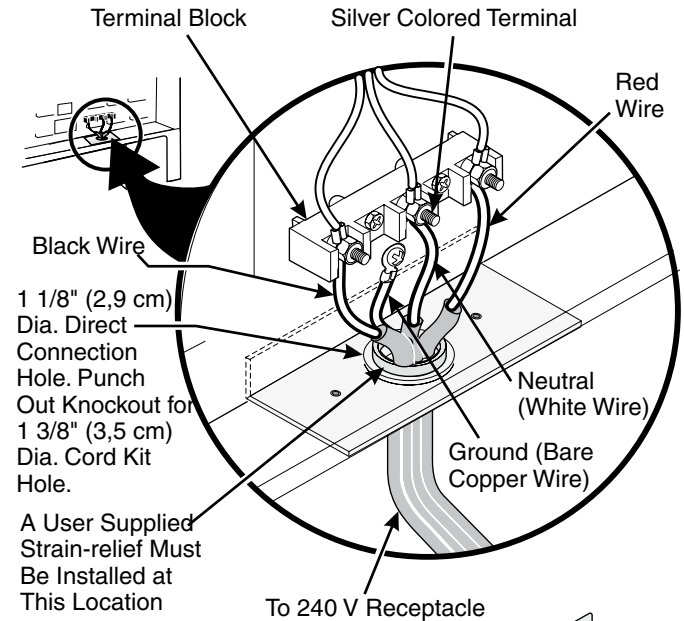


Figure 8

Four Conductor Wire Connection to Range

Where local codes does NOT permit connection of the frame grounding conductor to the neutral wire of the copper power supply cord (see Figure 9):

1. Remove the screws from the access plate at the lower right end of the rear cover to expose range terminal connection block (See page 2).
2. Remove the grounding strap from the terminal block and from the appliance frame.
3. Using the nuts supplied with the literature package, connect the ground wire (green) of the copper power supply cord to the frame of the appliance with the ground screw, using the hole in the frame where the ground strap was removed (see Figure 9).
4. Connect the neutral of the copper power supply cord to the center silver-colored terminal of the terminal block, and connect the other wires to the outer terminals. Match wires and terminals by color (red wires connected to the right terminal, black wires connected to the left terminal).
5. Replace the terminal cover and replace the screws.



NOTE: Be sure to remove the supplied grounding strap.

Figure 9

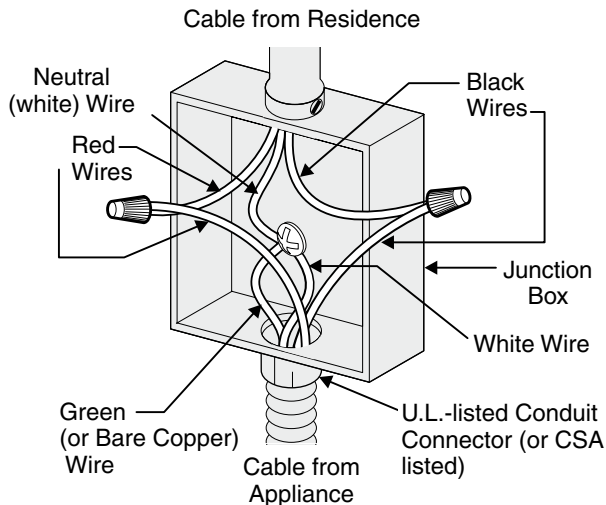
30" ELECTRIC RANGE INSTALLATION INSTRUCTIONS

6.2 Direct Electrical Connection to the Circuit Breaker, Fuse Box or Junction Box

If the appliance is connected directly to the circuit breaker, fuse box or junction box, use flexible, armored or nonmetallic sheathed copper cable (with grounding wire). Supply a U.L. listed strain-relief at each end of the cable. At the appliance end, the cable goes through the Direct Connection Hole (see Figure 9) on the Cord Mounting Plate. Wire sizes (copper wire only) and connections must conform to the rating of the appliance.

Where local codes permit connecting the appliance-grounding conductor to the neutral (white) wire (see Figure 10):

1. Be sure that no power is supplied on the cable from residence.
2. Follow instructions on previous page for Four Conductor Wire Connection to Range (Fig. 9).
3. In the circuit breaker, fuse box or junction box (Fig. 10):
 - a) Connect the green (or bare copper) wire, the white appliance cable wire, and the neutral (white) wire together.
 - b) Connect the 2 black wires together.
 - c) Connect the 2 red wires together.



NOTE: Be sure to remove the supplied grounding strap.

Figure 10
3-Wire (Grounded Neutral) Electrical System
(Example: Junction Box)

Where local codes **DO NOT** permit connecting the appliance-grounding conductor to the neutral (white) wire, or if connecting to 4-wire electrical system (see Figure 11):

1. Be sure that no power is supplied on the cable from residence.
2. Follow instructions on previous page for Four Conductor Wire Connection to Range (Fig. 9).
3. In the circuit breaker, fuse box or junction box (Fig. 11):
 - a) Connect the white appliance cable wire to the neutral (white) wire.
 - b) Connect the 2 black wires together.
 - c) Connect the 2 red wires together.
 - d) Connect the green (or bare copper) grounding wire to the grounding wire of the circuit breaker, fuse box or junction box.

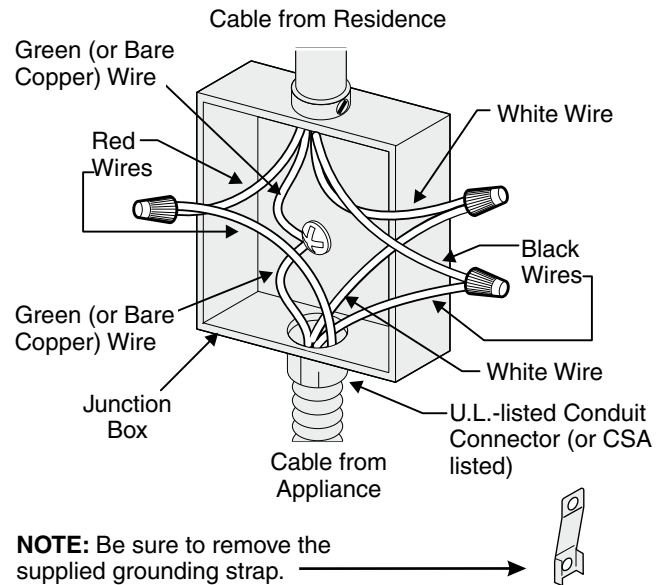


Figure 11 – 4-Wire Electrical System
(Example: Junction Box)

7. Checking Operation

Refer to the **Use and Care Guide** for operation.

CAUTION Do not touch cooktop glass or elements. They may be hot enough to burn you.

Before You Call for Service

Read the Before You Call for Service Checklist and operating instructions in your **Use and Care Guide**. It may save you time and expense. The list includes common occurrences that are not the result of defective workmanship or materials in this appliance.

30" ELECTRIC RANGE INSTALLATION INSTRUCTIONS

Notes

INSTRUCCIONES DE INSTALACIÓN ESTUFA ELÉCTRICA Y DOBLE HORNO DE 30"

LA INSTALACIÓN Y EL SERVICIO DEBEN SER EFECTUADOS POR UN
INSTALADOR CALIFICADO.

**IMPORTANTE: GUARDE ESTAS INSTRUCCIONES PARA USO DEL
INSPECTOR LOCAL DE ELECTRICIDAD. LEA Y GUARDE ESTAS
INSTRUCCIONES PARA REFERENCIA FUTURA.**



**⚠ ADVERTENCIA PARA SU SEGURIDAD: No
almacene ni utilice gasolina u otros vapores y
líquidos inflamables en la proximidad de este o de
cualquier otro artefacto.**

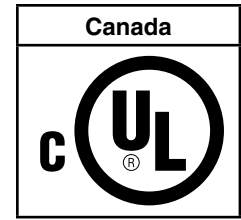


Tabla de materias

Notas importantes para el instalador.....	9	5. Cable de fuente de energía conectado de fabrica (Canada solamente).....	13
Nota importante para el consumidor	9	6. Requisitos de conexión eléctrica (Estados Unidos solamente).....	13-15
1. Espacios y dimensiones.....	10	7. Verificación del funcionamiento.....	15
2. Herramientas que va a necesitar	11	Antes de llamar al servicio	15
3. Instrucción para la instalación del braquete anti- basculante.....	11-12	Notas	16
4. Place de identificación.....	13		

Notas importantes para el instalador

1. Lea todas las instrucciones antes de instalar la cocina.
2. Retire todo material de empaquetado del horno y de la gaveta de entibiado antes de conectar el suministro eléctrico a la cocina.
3. Observe todo código o reglamento.
4. Asegúrese de dejar estas instrucciones con el consumidor ©

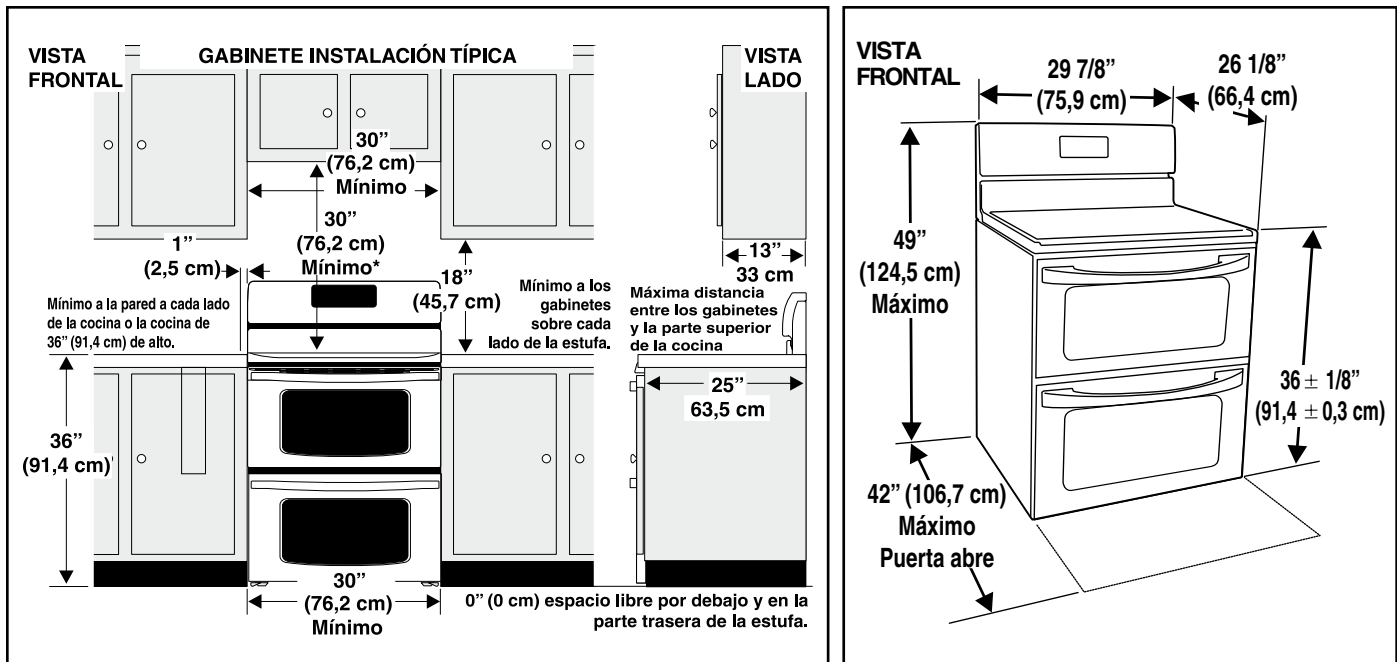
Nota importante para el consumidor

Mantenga estas instrucciones con el manual del usuario para futuras referencias.

INSTRUCCIONES PARA INSTALACIÓN DE LA ESTUFA ELÉCTRICA DE 30"

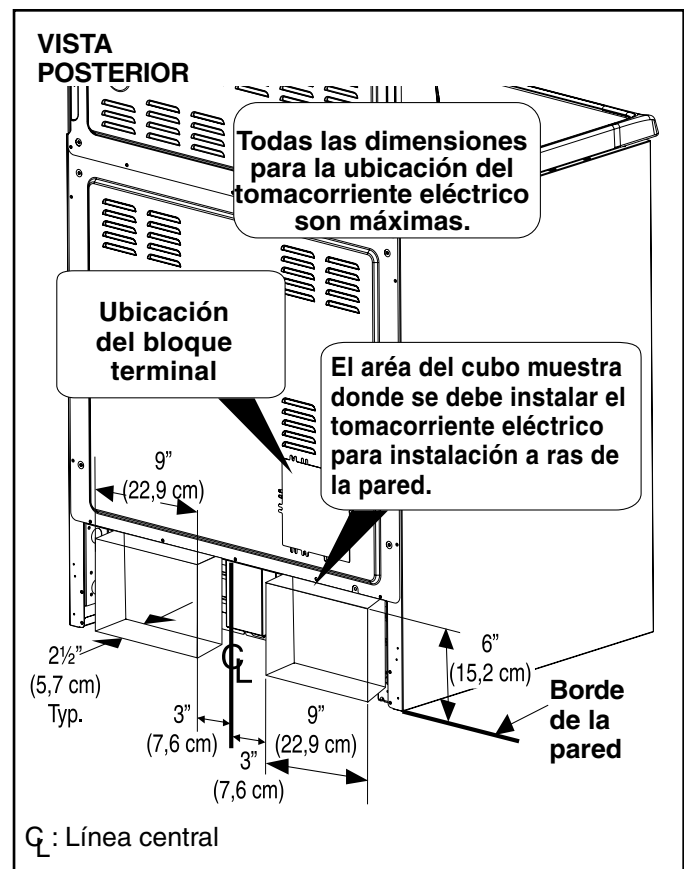
1. Espacios y dimensiones:

- Proporcione espacios adecuados entre la estufa y las superficies combustibles adyacentes.
- Ubicación—Examine el lugar en el cual va a ser instalada la estufa. Determine la existencia de suministro eléctrico adecuado y la estabilidad del piso.
- Se deben usar las medidas indicadas. Las dimensiones indicadas proporcionan espacio mínimo. La superficie de contacto debe ser sólida y estar a nivel.



* Un mínimo de 30" (76,2 cm) de espacio entre la parte superior de la superficie para estufa y el fondo no protegido de un gabinete de metal o madera; o un mínimo de 24" (61 cm) cuando el fondo de metal o madera del gabinete está protegido por no menos de 1/4" (0,6 cm) de material retardante, con una hoja de acero de no menos MSG No.28, 0,015" (0,04 cm) de acero inoxidable, 0,024" (0,06 cm) de aluminio o 0,020" (0,05 cm) de cobre. 0" (0 cm) es el espacio mínimo para la parte trasera de la estufa. Siga todos los requerimientos de medidas antes proporcionados para evitar daños a la propiedad: peligro de encendidos potenciales o superficies y cortes de gabinetes que sean incorrectos.


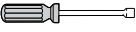
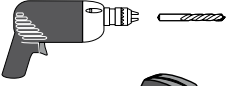

Para eliminar el riesgo de quemaduras o incendio cuando trate de alcanzar objetos por sobre unidades de superficie calentadas, debe evitarse que los gabinetes para almacenamiento están localizados encima de la superficie de la estufa. Si existen gabinetes de almacenamiento, el riesgo puede ser reducido instalando una campana de estufa que se proyecte en forma horizontal a una distancia mínima de 5" (12,7 cm) mas allá del fondo de los gabinetes.




INSTRUCCIONES PARA INSTALACIÓN DE LA ESTUFA ELÉCTRICA DE 30"

2. Herramientas que va a necesitar


Para patas de nivelación y montura anti-vuelco:

- Llave ajustable o alicates 
- Llave para apretar tuercas de 5/16" o un destornillador de cabeza plana 
- Taladro eléctrico y una broca de 1/8" (broca de taladro de hormigón de 5/32" si se instala sobre hormigón) 
- Nivel & Cinta de medición 

Para la conexión del suministro eléctrico:

- Llave de boca tubular o llave para tuercas de 1/4" y 3/8" 

Materiales adicionales necesarios

- Cordón eléctrico o 
- Alambre eléctrico de cobre y conducto metálico (para alambrado permanente)

3. Instrucción para la instalación del braquete anti-basculante

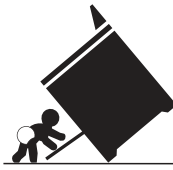
Nota importante de seguridad

Para reducir el riesgo de inclinación de la cocina, ésta debe ser asegurada hacia el piso con las fijaciones de anti-inclinación y los tornillos que vienen con la cocina. Si no instala las fijaciones, corre el riesgo que su cocina pueda inclinarse si pone demasiado peso sobre la puerta abierta o si un niño sube sobre ésta. Esto podría ocasionar graves lesiones causadas por derrames de líquidos calientes o por la propia cocina.

Si la cocina es trasladada a otro lugar, las fijaciones de anti-inclinación deben también ser trasladadas y instaladas con la cocina.

Las instrucciones provistas sirven para instalación en suelo de madera o concreto. Al fijar los tornillos al suelo, asegúrese que no atraviesen la instalación eléctrica o de fontanería.

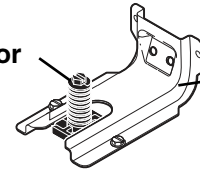
ADVERTENCIA Riesgo de volcamiento



- Un niño o adulto puede volcar la estufa y acabar muerto.
- Verifique que se haya instalado el dispositivo antivuelco en el piso o en la pared como muestran en las instrucciones de instalación.
- Asegúrese de que el dispositivo antivuelco se haya reacomplado cuando mueva la estufa sobre el piso o a la pared.
- No utilice la estufa sin el dispositivo antivuelco instalado y acoplado.
- Si no se siguen estas instrucciones, se puede provocar la muerte o quemaduras graves en niños y adultos.



Tornillo nivelador de la estufa



Fijaciones de anti-inclinación

Para verificar si la fijaciones de anti-inclinación está instalado correctamente, sostenga el borde trasero de la parte trasera de la estufa usando ambos brazos. Intente inclinar la estufa hacia adelante con cuidado. Si está instalada correctamente, la estufa no debería inclinarse hacia adelante.

A. Localice la fijación usando el papel modelo

Localice la posición de la fijación colocando la plantilla simétricamente a la línea central de la apertura. El soporte antivuelco puede instalarse en el lado izquierdo o derecho en la parte posterior de la estufa. Marque la ubicación de los agujeros de tornillos como se muestra en el papel.



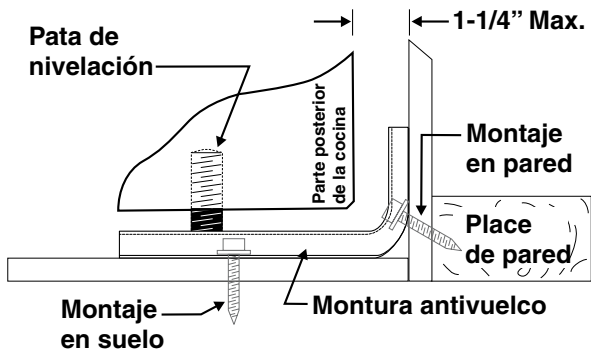
Figura 1

INSTRUCCIONES PARA INSTALACIÓN DE LA ESTUFA ELÉCTRICA DE 30"

B. Perforación de agujeros piloto y montura de sujeción

Perfore un agujero piloto de 1/8" en el lugar en el que se vayan a instalar los tornillos. Si la montura se va a instalar a en la pared, practique un agujero piloto con una inclinación aproximada de 20° hacia abajo. Si la montura se va a instalar sobre hormigón para suelos cerámicos, practique un agujero de 3/16" con una profundidad de 1-3/4". Los tornillos que se suministran pueden utilizarse en hormigón o madera. Para fijar la montura en su sitio, utilice un destornillador de cabeza plana o una llave para apretar tuercas de 5/16".

MONTURA DE SUJECIÓN (MONTAJE EN PARED O SUELO)



MONTURA DE SUJECIÓN (SÓLO MONTAJE EN SUELO)

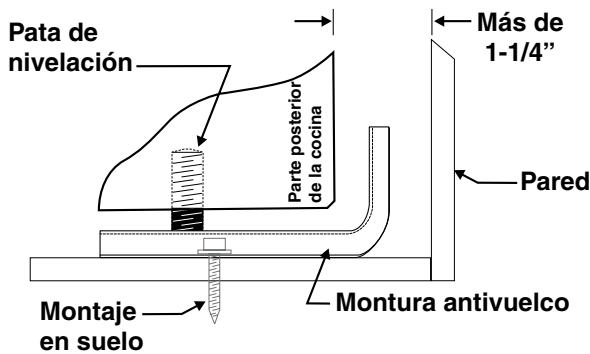


Figura 2

C. Nivele la cocina y coloque la cocina en su lugar

Deslice la estufa a su lugar. Coloque la pata niveladora dentro del braqueto anti-basculante. Verifique visualmente que los soportes antivuelco estén correctamente enganchados (anclados). Nivele la cocina. Nivele la estufa si es necesario, ajustando las 4 patas niveladoras con una llave ajustable. Para verificar que la cocina está nivelada, coloque un nivel en las parrillas interior del horno. Tome mínimo 2 lecturas con el nivel, coloque el nivel en diagonal para que la cocina esté nivelada de atrás hacia adelante, si es necesario ajuste las patas niveladoras.

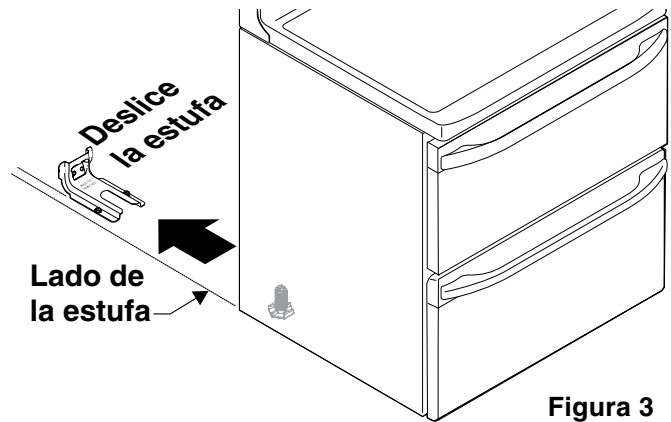


Figura 3

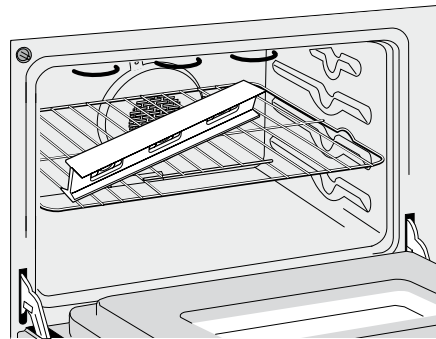


Figura 4

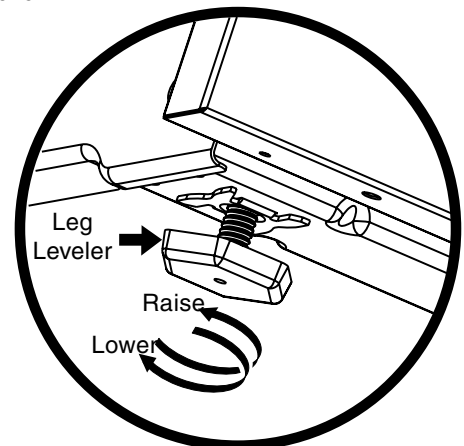


Figura 5

INSTRUCCIONES PARA INSTALACIÓN DE LA ESTUFA ELÉCTRICA DE 30"

4. Placa de Identificación

Esta placa de identificación está localizada sobre el marco y se puede ver cuando la gaveta está abierta. Consulte la placa de identificación para obtener la siguiente información:

- Números de modelo, partida y serie de la estufa.
- Tasa de kilovatios (requerimientos de energía.)
- Tasa de voltaje.

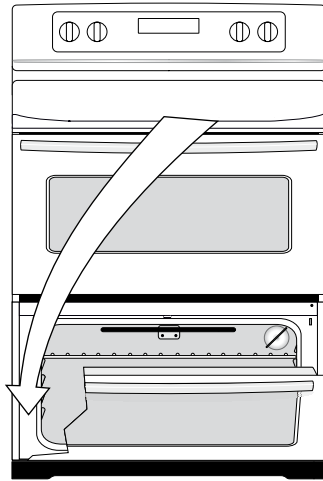
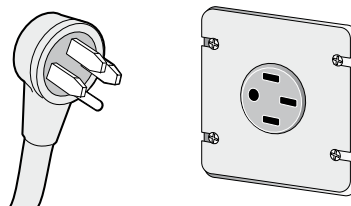


Figura 6

5. Cable de fuente de energía conectado de fabrica (Canadá solamente)

Conectar el cable de la estufa (4 conductores) en una toma de corriente de 4 cables. La toma de corriente debe de ser aterrizada de acuerdo. Al código eléctrico canadiense (CSA standard C22.1 parte 1, última edición) y a cualquier otro código local.



Estilo Canadá
Figura 7

6. Requisitos de conexión eléctrica (Estados Unidos solamente)

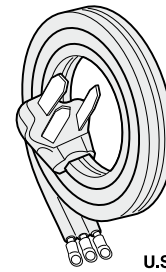
Este aparato debe estar instalado en forma apropiada y puesto a tierra por un técnico calificado, de acuerdo con el National Electric Code (Código Nacional de Electricidad) ANSI/NFPA No. 70 —última edición— y con los requerimientos de electricidad de los códigos locales.

Este aparato puede ser conectado por medio de una extensión a un tomacorriente local permanente o por medio de "Juego de Cordón para el Suministro de Energía".

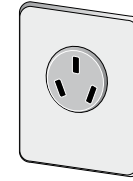
Cuando se use la extensión, no deje exceso de alambre en el compartimento de la estufa. Si se deja exceso de alambre en el compartimento, ésta no permitirá que la cubierta de acceso sea cerrada en forma apropiada, lo cual puede crear un riesgo eléctrico potencial si se perforan los alambres. Cuando se use conduit flexible o cable para estufas, use un conector flexible o cable de estufa resistente a tensiones.

NOTA: Use solamente alambre de cobre en la conexión al bloque terminal.

6.1 Modelos que requieren Juego de Cordón para el Suministro de Energía



U.S. STYLE



Juego de cordón de 3 alambres

El utilizado es responsable de la conexión del cable del suministro eléctrico al bloque de conexión situado detrás del panel de acceso.

El electrodoméstico se puede conectar a través de un cableado permanente "cableado duro"; cable de cobre blindado armado o cable no-metálico flexible (cuando el código local lo permite) o por medio de un kit de cable de alimentación. Vea la gráfica (en la página siguiente) para encontrar el tamaño mínimo del cable a utilizarse (el listado general de la UL, código local puede diferenciar).

NOTA: La cocina eléctrica viene de fabrica con un agujero de diámetro 1 1/8" (2,9 cm) como se muestra en la figura 8. Si un agujero mas largo está necesario retire la arandela de la pre-cortada.

⚠ ADVERTENCIA El riesgo de fuego o de choque eléctrico puede aparecer si usa el tamaño de cable incorrecto, si las instrucciones de instalación no son seguidas o si retira la abrazadera de releva.

Para casas sobre ruedas, nuevas instalaciones, en los vehículos de recreativos o en las lugares donde los códigos locales no permiten la conexión del conductor de tierra al neutro, un ensamble de suministro eléctrico de 4 conductores para estufas, calificado a 125/250 voltios mínimo, 50 Amperes mínimo, debe de ser utilizado. Si se utiliza un circuito 50A, un cable eléctrico 50A debe ser utilizado.

⚠ PRECAUCIÓN No desajuste las tuercas que aseguran la conexión de la cocina al bloque terminal cuando esté instalándola. El corte o la perdida de corriente eléctrica puede ocurrir.

⚠ ADVERTENCIA

Peligro de choque eléctrico

- La conexión a tierra es requerida para este electrodoméstico.
- No conecte al suministro eléctrico hasta que el electrodoméstico este conectado a tierra de manera permanente.
- Desconecte el suministro eléctrico hacia la caja de empalmes antes de hacer la conexión eléctrica.
- Este electrodoméstico debe ser conectado a un sistema de alambres permanentes, metálicos, conectados a tierra o una puesta a tierra debe ser conectada al terminal de tierra o un emplomado al electrodoméstico.

El no seguir ninguna de estas instrucciones podría causar fuego, heridas personales o choques eléctricos.

INSTRUCCIONES PARA INSTALACIÓN DE LA ESTUFA ELÉCTRICA DE 30"

⚠ ADVERTENCIA Este electrodoméstico fue fabricado con el marco aterrizado a través de una correa de conexión entre el neutral de la fuente de alimentación y el marco. Si es utilizado en los E.E. U.U., con un circuito nuevo de instalación (1996 NEC), en casa sobre ruedas o vehículo recreativo, donde el código local no permite el aterrizaje a través del cable neutro (blanco) o en Canadá; remueva la correa de aterrizaje del marco y corte el otro extremo, cerca de la terminal de neutral. Conecte el electrodoméstico de la forma usual.

6.2 Conexión del cable a tres alambres la cocina

Si los códigos locales permiten la conexión del conductor a tierra del armazón al alambre neutro del cable de bronce del suministro eléctrico (vea figura 8).

1. Retire los tornillos de la parte baja de la cubierta del cable trasero (cubierta de acceso), para tener acceso al bloque de conexión del borne terminal (vea la pagina 2).
2. Utilizar los tuercas suministraron en el paquete de la literatura para conectar la parte neutral del cable de bronce de suministro eléctrico al terminal plateado que se encuentra al centro del bloque terminal y, conectar los otros alambres a los terminales externos. Aparee los alambres y los terminales según el color (alambres rojos conectados al terminal derecho, alambres negros conectados al terminal izquierdo) (vea figura 8).
3. Baje la cubierta del terminal y vuelva al colocar los tornillos.

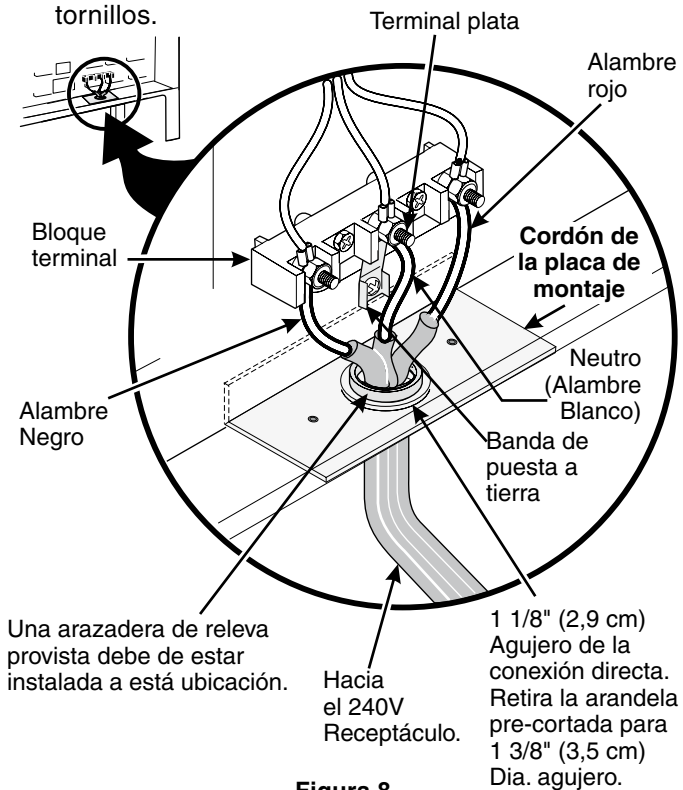


Figura 8

6.3 Conexión del cable de cuatro conductores a la cocina.

Si los códigos locales NO permiten la conexión del conductor a tierra del armazón al alambre neutro del cable de bronce del suministro eléctrico (vea figura 9).

1. Retire los tornillos de la parte baja de la cubierta del cable trasero (cubierta de acceso), para tener acceso al bloque de conexión del borne terminal.
2. Retire la correa de la base del bloque terminal y del armazón del electrodoméstico. Retenga el tornillo de la base.
3. Utilizar los tuercas suministraron en el paquete de la literatura para conectar el alambre de tierra (verde) del cable de bronce del suministro eléctrico al armazón del electrodoméstico con el tornillo de la base, usando el hoyo del armazón por donde retiró la correa de la base (vea figura 9).
4. Conecte el alambre neutro (blanco) del cable de cobre del suministro eléctrico al terminal plateado del centro del bloque terminal y, conecte los otros alambres a los terminales externos.
5. Baje la cubierta del terminal y vuelva al colocar los tornillos.

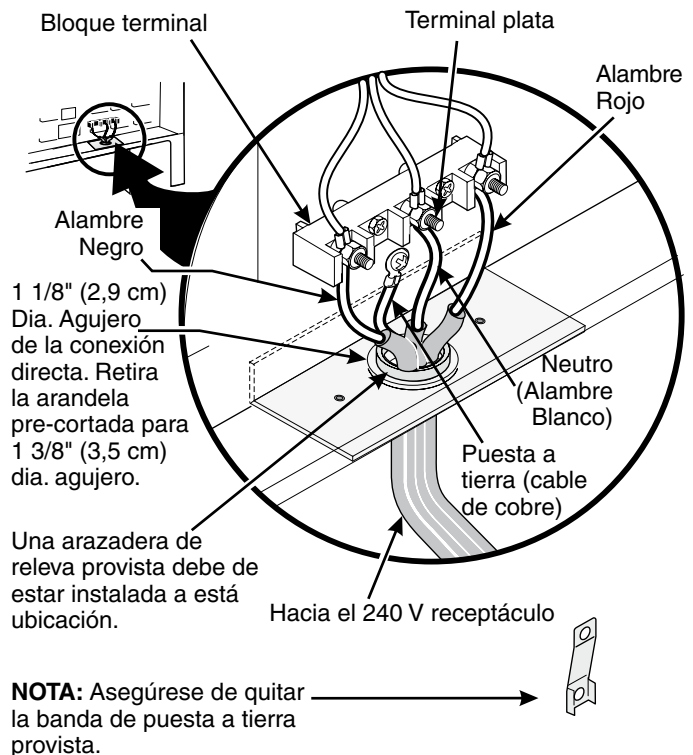


Figura 9

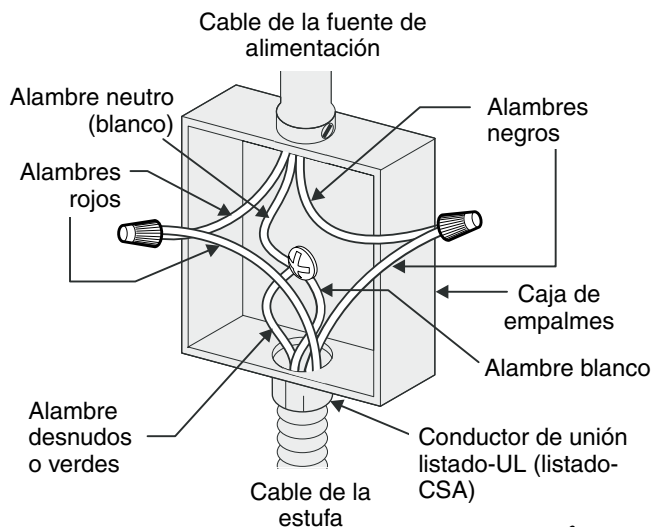
INSTRUCCIONES PARA INSTALACIÓN DE LA ESTUFA ELÉCTRICA DE 30"

6.4 Conexión eléctrica directa al corta circuito, a la caja de fusibles o la caja de empalmes

Si el aparato está conectado directamente al corta circuito, a la caja de fusibles o a la caja de empalmes, use un cable blindado flexible o no metálico recubierto de cobre (con alambre a tierra). Provee una abrazadera releva de anclaje homólogo UL a cada extremidad del cable. A la extremidad del electrodoméstico, el cable pase a través del agujero de la conexión directa (ver Figura 9) en el cordón de la placa de montaje. El tamaño de los alambres (**alambre de cobre solamente**) y las conexiones deben estar conforme al régimen del electrodoméstico.

Donde los códigos locales permitan conectar el conductor de puesta a tierra del electrodoméstico al neutral (blanco) (vea Figura 10):

1. Desconecte el suministro eléctrico.
2. Siga las instrucciones en la página anterior para la conexión del alambre de cuatro conductores a la cocina (Figura 9).
3. En el corta circuito, la caja de fusibles o la caja de empalmes (Figura 10):
 - a) Conecte el alambre verde (o cobre desnudo), el alambre blanco del cable del electrodoméstico y el alambre neutral (blanco) juntos.
 - b) Conecte los dos alambres negros juntos.
 - c) Conecte los dos alambres rojos juntos.

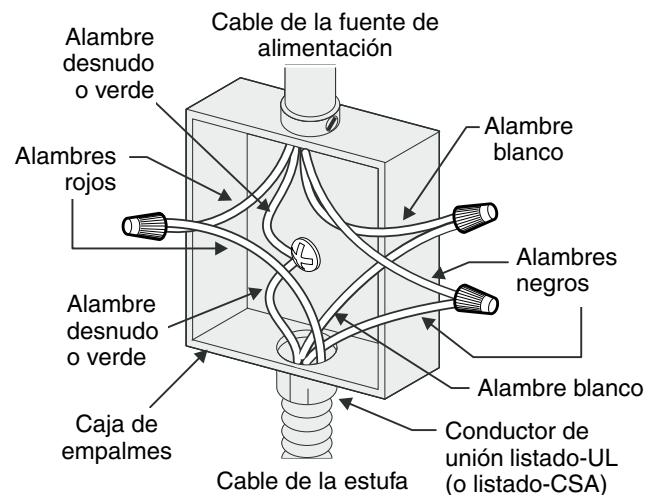


NOTA: Asegúrese de quitar la banda de puesta a tierra provista.

Figura 10

Donde los códigos locales NO permitan conectar el conductor de puesta a tierra del electrodoméstico al neutral (blanco), o si está conectado con un sistema a 4 alambres (vea Figura 11):

1. Desconecte el suministro eléctrico.
2. Siga las instrucciones en la página anterior para la conexión del alambre de cuatro conductores a la cocina (Figura 9).
3. En el corta circuito, la caja de fusibles o la caja de empalmes (Figura 11):
 - a. Conecte el alambre blanco del cable del electrodoméstico al alambre neutral (blanco).
 - b. Conecte los 2 alambres negros juntos.
 - c. Conecte los 2 alambres rojos juntos.
 - d. Conecte el alambre verde (o de cobre desnudo) de la puesta a tierra del alambre al alambre de puesta a tierra del corta circuito, de la caja de fusibles o de la caja de empalmes.



NOTA: Asegúrese de quitar la banda de puesta a tierra provista.

Figura 11

7. Verificación del funcionamiento

Consulte el **Manual del Usuario** para las instrucciones de funcionamiento.

PRECAUCIÓN No toque el cristal o los elementos de la estufa. Puede que estén lo suficiente calientes para quemar.

Antes de llamar al servicio

Lea la sección Lista de Antes de llamar en su Manual del Usuario. Esto le podrá ahorrar tiempo y gastos. Esta lista incluye ocurrencias comunes que no son el resultado de defectos de materiales o fabricación de este artefacto.

INSTRUCCIONES PARA INSTALACIÓN DE LA ESTUFA ELÉCTRICA DE 30"

Notas

INSTRUCTIONS D'INSTALLATION CUISINIÈRE ÉLECTRIQUE DE 30" MUNIE DE DEUX FOURS

L'INSTALLATION ET L'ENTRETIEN DOIVENT ÊTRE EFFECTUÉS PAR UN INSTALLATEUR QUALIFIÉ.

IMPORTANT: CONSERVEZ POUR L'INSPECTEUR D'ÉLECTRICITÉ LOCAL. LISEZ ET CONSERVEZ CES INSTRUCTIONS POUR RÉFÉRENCES ULTÉRIEURES.



⚠️ AVERTISSEMENT POUR VOTRE SÉCURITÉ :
N'entreposez pas ou n'utilisez pas d'essence ou d'autres produits inflammables à proximité de cet appareil ou de tout autre appareil électroménager.

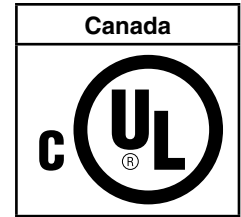


Table des matières

Notes importantes à l'installateur	17	5. Branchement électrique (Canada seulement)	21
Note importante au consommateur	17	6. Ensemble de cordon d'alimentation (États-Unis seulement)	21-23
1. Espaces prévus et dimensions	18	7. Vérification du fonctionnement	23
2. Outils requis	19	Avant d'appeler le service d'entretien	23
3. Instructions d'installation du support anti-bascule - Mesures importantes de sécurité	19-20	Notes	24
4. Information concernant la plaque de série	20		

Notes importantes à l'installateur

1. Lisez toutes les instructions contenues dans ce feuillet avant d'installer la cuisinière.
2. Enlevez tout le matériel d'emballage des compartiments du four avant de connecter l'alimentation électrique à la cuisinière.
3. Respectez tous les codes et règlements applicables.
4. N'oubliez pas de laisser ces instructions au consommateur.

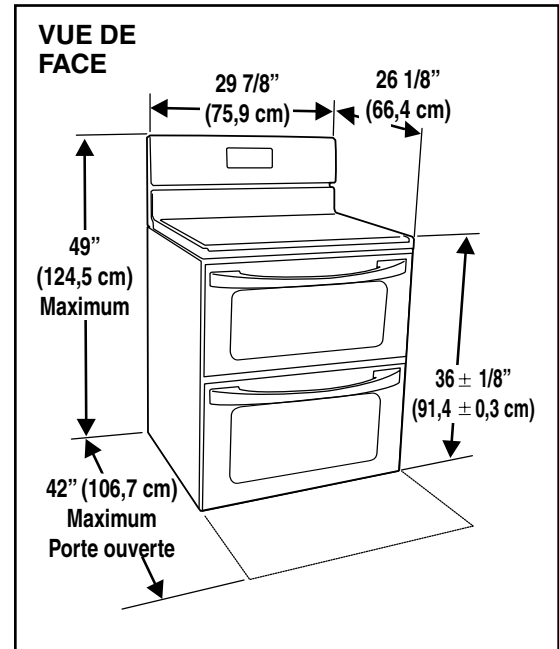
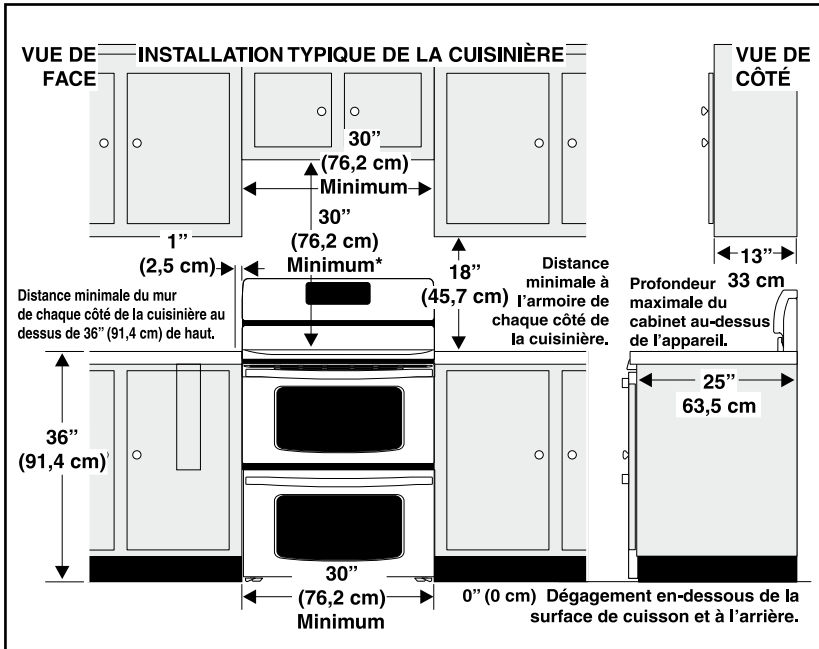
Note importante au consommateur

Conservez ces instructions avec le guide de l'utilisateur pour référence future.

Instructions d'installation pour cuisinières 30" électriques

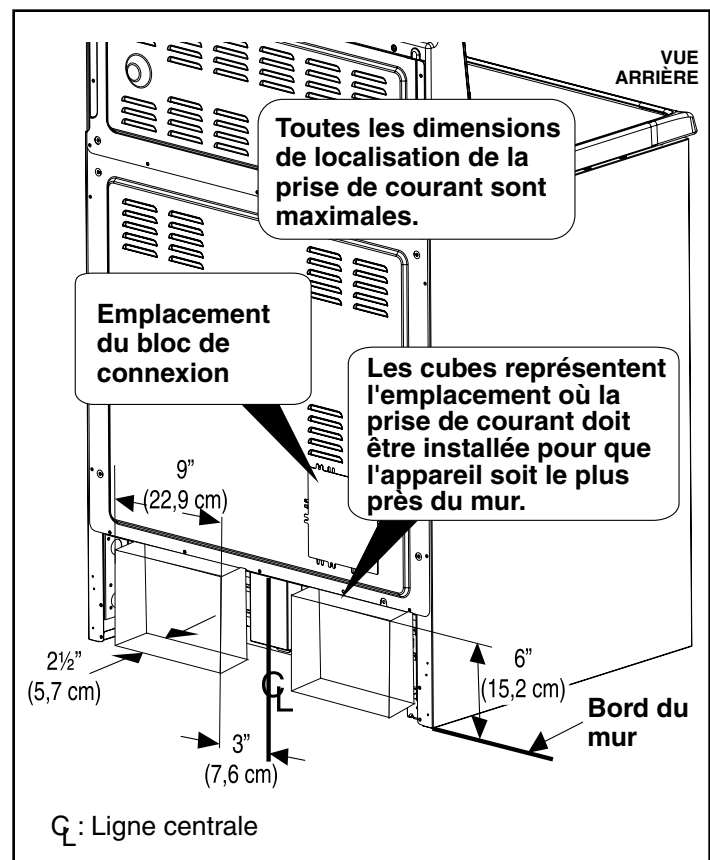
1. Espaces prévus et dimensions

- Laissez suffisamment d'espace entre la cuisinière et les surfaces combustibles adjacentes.
- Endroit – Vérifiez l'endroit où la cuisinière sera installée. Assurez-vous qu'il y a une source d'alimentation électrique adéquate et que le plancher est solide.
- Les dimensions qui sont données doivent être respectées. Ces dimensions allouent un minimum de jeu. Les surfaces en contact doivent être solides et de niveau.



* Espace minimum de 30" (76,2 cm) entre le dessus de la surface de cuisson et le dessous d'une armoire en bois ou en métal non protégée, ou espace minimum de 24" (61 cm) si le fond de l'armoire en bois ou en métal est protégé par un panneau résistant au feu d'au moins 1/4" (0,64 cm) recouvert d'une feuille d'acier doux dont l'épaisseur est au moins de 0,015" (0,038 cm) si en acier inoxydable; de 0,024" (0,061 cm) si en aluminium ou de 0,020" (0,051 cm) si en cuivre. Un espace de 1/2" (1,3 cm) min. pour l'arrière et les côtés de la cuisinière est requis. Respectez toutes les dimensions indiquées ci-dessus afin d'éviter des dommages à la propriété, de créer un danger potentiel d'incendie et de faire des découpages incorrects du comptoir et de l'armoire.

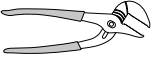
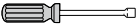
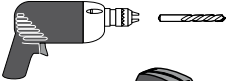

Évitez d'ajouter des espaces de rangement au-dessus de l'appareil pour éliminer tout risque de brûlures ou de feu en vous penchant au-dessus de surfaces chaudes pour prendre des objets. Si des espaces de rangement doivent être ajoutés, les risques peuvent être réduits en installant une hotte qui excède le devant de l'armoire d'au moins 5" (12,7 cm).



Instructions d'installation pour cuisinières 30" électriques

2. Outils requis:


Pour les pattes de nivellement et le support anti-bacule:

- Clé à molette ou pince réglable. 
- 5/16" Tournevis à douille ou tournevis à tête plate 
- Perceuse électrique & foret de 1/8" de diamètre (foret de maçonnerie si installé dans le béton) 
- Niveau & ruban à mesurer 

Pour le branchement électrique:

- 1/4" & 3/8" Tournevis à douille 

Autres outils requis:

- Cordon alimentation ou
- Câblage électrique en cuivre & Conduit métallique (pour le câblage réel). 

3. Instructions d'installation du support anti-basculé - Mesures importantes de sécurité

La cuisinière doit être fixée au plancher pour éviter qu'elle ne bascule, en installant un support anti-basculé à l'aide des vis fournies avec la cuisinière. Si le support anti-basculé n'est pas installé, la cuisinière peut basculer lorsqu'un poids excessif est exercé sur la porte ouverte ou qu'un enfant monte dessus. Des blessures graves peuvent s'ensuivre provenant de la cuisinière elle-même ou du renversement de liquides chauds.

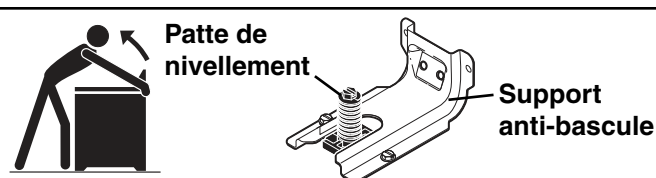
Si la cuisinière doit être déplacée, le support anti-basculé doit être également déplacé.

Les directives fournies sont prévues pour la fixation dans un plancher de bois ou de béton. Lors de la fixation, assurez-vous que les vis ne pénètrent pas dans les accessoires de plomberie ou le câblage électrique.

AVERTISSEMENT Risque de basculement



- Un enfant ou un adulte peut faire basculer la cuisinière et en décéder.
- Vérifiez que le dispositif anti-renversement a été fixé au plancher ou au mur tel que décrit dans les instructions d'installation.
- Assurez-vous d'enclencher le dispositif anti-renversement lorsque la cuisinière est déplacée sur le plancher ou contre le mur.
- Ne faites pas fonctionner la cuisinière si le dispositif anti-renversement n'est pas en place et enclenché.
- Le non-respect de ces instructions peut causer des blessures fatales ou de graves brûlures aux enfants et aux adultes.



Pour vérifier si le support anti-renversement est correctement installé, attrapez le bord arrière de la cuisinière à deux mains.

Essayez doucement de faire basculer la cuisinière vers l'avant. Lorsque le support est correctement installé, la cuisinière ne doit pas basculer vers l'avant.

A. Positionnez le support à l'aide du gabarit.

Positionnez le gabarit symétriquement au centre de l'emplacement final de la cuisinière. Marquez au sol la position des vis du support tel que montré sur ce gabarit (le support peut être installé à droite ou à gauche).



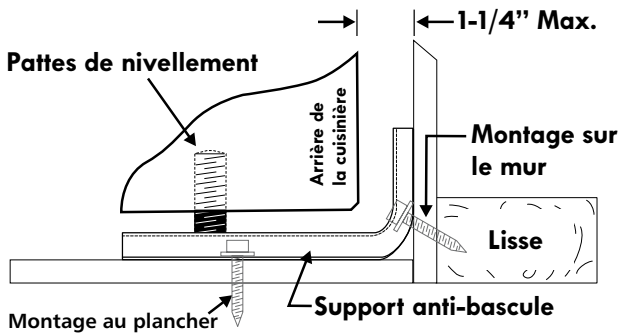
Figure 1

Instructions d'installation pour cuisinières 30" électriques

B. Percez des avant-trous et fixez le support

Repérez le centre des trous indiqués et percez des avant-trous de 1/8". Si le support doit être fixé au mur, percez un avant-trou dans un angle de 20°. Si le support doit être fixé sur un plancher en béton ou en céramique, percez un avant-trou de 5/32" x 1-3/4" de profondeur. Les vis fournies peuvent être utilisées dans le bois comme dans le béton. Utilisez un tourne-écrou de 5/16" pour fixer le support.

FIXER LE SUPPORT (MONTAGE AU MUR OU AU PLANCHER)



FIXER LE SUPPORT (MONTAGE AU PLANCHER SEULEMENT)

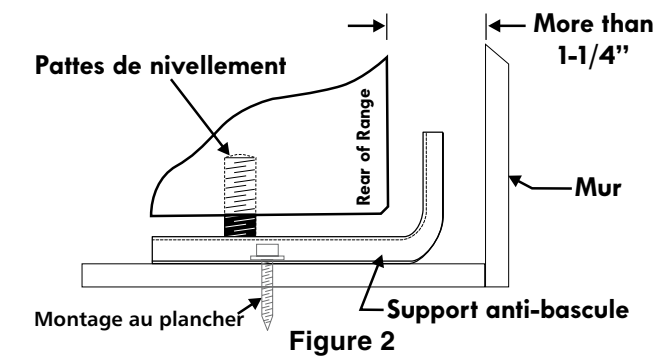


Figure 2

C. Mise à niveau et positionnement de la cuisinière.

Glissez la cuisinière à son emplacement final. Insérez la patte de nivellement de la cuisinière dans le support. Assurez-vous que la patte de la cuisinière est bien insérée dans le support en vérifiant visuellement. Placez un niveau à bulle sur l'une des grilles de l'appareil pour vérifier s'il est de niveau. S'il est nécessaire, ajustez les pattes de nivellement jusqu'à ce que l'appareil soit de niveau.

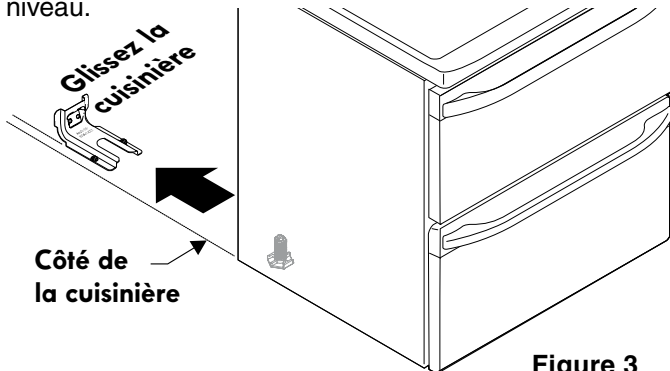


Figure 3

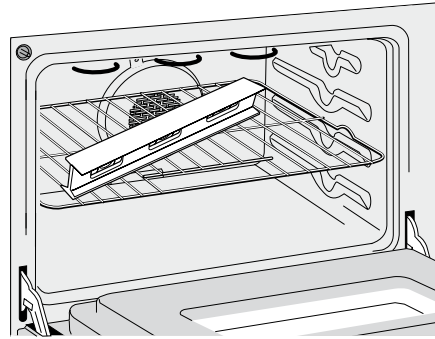


Figure 4

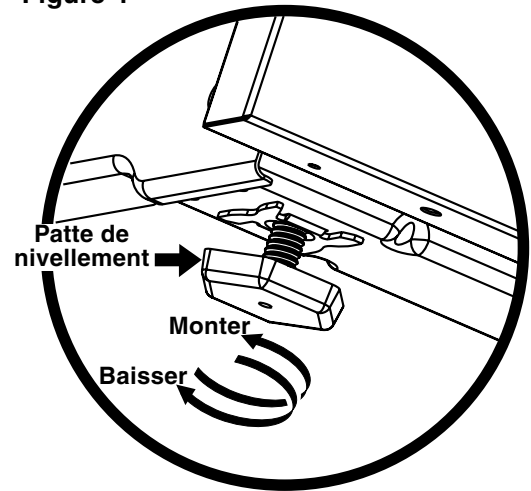


Figure 5

4. Information concernant la plaque de série

La plaque de série est située tel que montré plus bas. Les informations suivantes s'y trouvent:

- A. Les numéros de modèle, de lot et de série de l'appareil.
- B. Le régime nominal en kilowatts (requis électrique).
- C. La tension nominale.

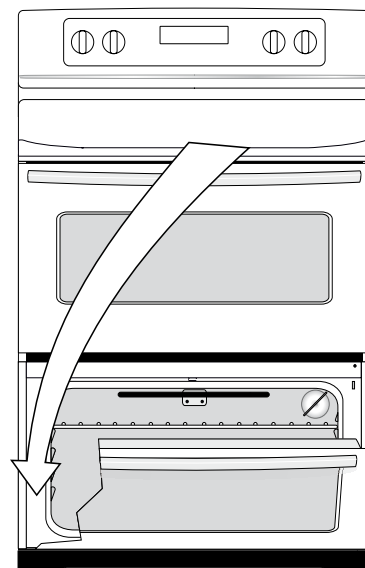


Figure 6

Instructions d'installation pour cuisinières 30" électriques

5. Branchement Électrique (Canada seulement)

Branchez le câble d'alimentation de la cuisinière (4 conducteurs) à une prise murale munie de 4 conducteurs. La prise murale doit être correctement mise à la terre et conforme au code électrique canadien (la norme de l'ACNOR C22.1 partie 1 - dernière édition) et autres codes locaux.

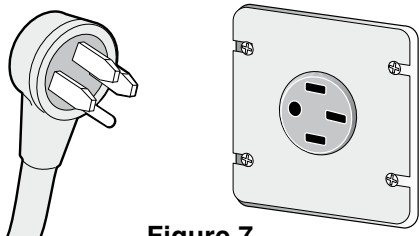


Figure 7

Câble de la cuisinière à 4 Conducteurs

6. Branchement Électrique (États-Unis seulement)

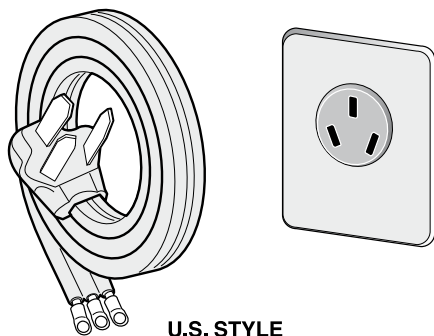
Cet appareil doit être installé et mis à la terre par un technicien qualifié conformément au Code National Électrique ANSI/NFPA No. 70--dernière édition-- et aux requis électriques locaux.

Il est possible de connecter l'appareil soit au moyen d'un câblage "permanent dur" (câble flexible en cuivre blindé ou muni d'une gaine protectrice non métallique) soit au moyen d'un ensemble de cordon d'alimentation.

Lors d'un branchement "permanent dur", ne laissez pas un surplus de câble derrière la cuisinière. Un surplus de câble derrière l'appareil peut empêcher le couvercle du bloc de connexion de se refermer correctement et peut causer un risque de danger électrique si les câbles sont pincés. Lors de l'utilisation d'un câble flexible ou d'un câble pour cuisinière, utilisez un connecteur flexible ou un câble pour cuisinière et un réducteur de tension.

NOTE: Utilisez seulement un câble de cuivre pour le branchement au bloc de connexion.

6.1 Ensemble de cordon d'alimentation (États-Unis)



U.S. STYLE
3-Wire Cord Kit

L'utilisateur est responsable de brancher le câble d'alimentation au bloc de connexion situé à l'arrière de l'appareil, derrière le couvercle du bloc de connexion.

Cet appareil peut être branché soit au moyen d'un câblage "permanent dur"; câble flexible en cuivre blindé ou muni d'une gaine protectrice non métallique (lorsque le code local le permet) ou soit au moyen d'un ensemble de cordon d'alimentation.

NOTE: L'appareil sort de l'usine avec un trou de 1 1/8" (2,9 cm) dia. tel que montré à la figure 8. Si un trou plus grand est requis, repoussez la pastille.

⚠️ AVERTISSEMENT Il existe des risques d'incendie ou de choc électrique, si la capacité du cordon utilisé est inadéquate, si les instructions d'installation ne sont pas suivies ou si le réducteur de tension n'est pas utilisé.

Dans les maisons mobiles (États-Unis), les nouvelles installations ou les véhicules récréatifs, utilisez seulement un cordon d'alimentation conçu pour une cuisinière à 125/250 volts de 50 ampères recommandé (40A minimum). Le cordon doit soit avoir 3 (lorsque le code local permet la mise à terre par le neutre) ou 4 conducteurs. Les bornes aux extrémités des câbles doivent comporter soit une boucle fermée, soit des cosses à fourches ouvertes et aux extrémités renversées. Le cordon doit être muni d'un réducteur de tension.

⚠️ MISE EN GARDE Ne desserrez pas les écrous des fils installés en usine. Une panne, un bris ou des conditions dangereuses pourraient s'en suivre.

⚠️ AVERTISSEMENT

Risque de choc électrique

- La mise à la terre de cet appareil est obligatoire.
- Ne branchez pas l'appareil au circuit électrique avant qu'il soit mis à la terre correctement, en permanence.
- Interrompez le courant dans la boîte de jonction avant d'effectuer la connexion électrique.
- Cet appareil doit être branché à un système de câblage métallique, mis à la terre en permanence, ou un connecteur mis à la terre doit être branché à la borne de mise à la terre ou directement sur l'appareil.

Si vous ne suivez pas les instructions précitées à la lettre, il peut en résulter un incendie, des blessures ou un choc électrique.

Instructions d'installation pour cuisinières 30" électriques

⚠️ AVERTISSEMENT Cet électroménager est manufacturé avec une mise à la terre au châssis à l'aide d'une plaque de mise à terre posée entre le terminal neutre et le châssis. Si l'appareil est utilisé, aux États-Unis, dans une maison mobile, un nouveau branchement (1996 NEC), un véhicule récréatif où les codes locaux n'autorisent pas la connexion du conducteur de mise à la terre du châssis au neutre ou au Canada; retirez la plaque de mise à terre du châssis et coupez l'autre bout, près du terminal neutre. Branchez ensuite l'appareil de manière usuelle.

Pour une connexion à un câble d'alimentation à trois conducteurs (Etats-Unis seulement)

Si les codes locaux permettent la connexion du conducteur de mise à la terre du châssis au fil neutre du cordon d'alimentation en cuivre (voir figure 8).

1. Enlevez la vis qui retient le couvercle arrière afin de vous permettre d'atteindre les bornes du bloc de connexion de la cuisinière (voir page 2).
2. Utilisez les écrous fournis dans l'enveloppe littérature pour raccorder le neutre du cordon d'alimentation cuivré à la borne argentée située au centre du bloc de connexion, et raccordez les autres fils aux bornes extérieures. Assortissez les fils et les bornes conformément aux couleurs (branchez le fil rouge à la borne de droite, et le fil noir à la borne de gauche) (voir figure 8).
3. Remplacez le couvercle arrière et fixez-le à l'aide de la vis enlevée à l'étape 1.

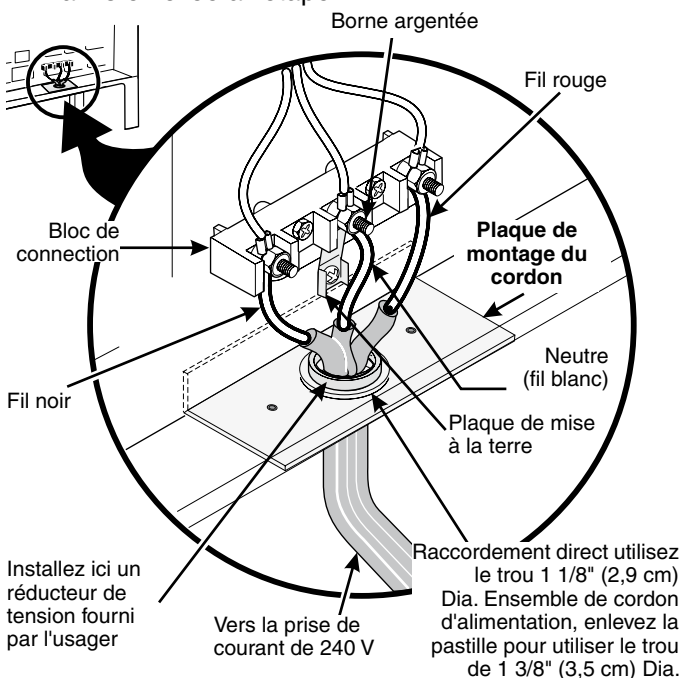
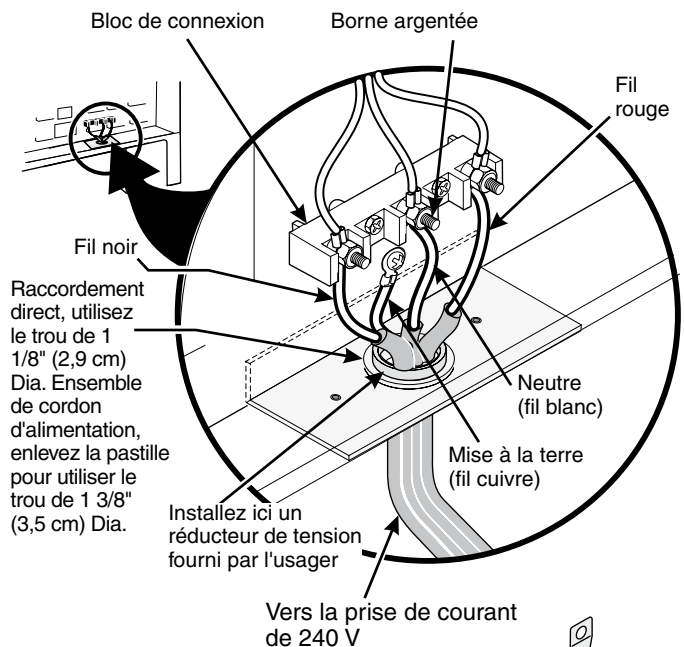


Figure 8

Pour une connexion à un câble d'alimentation à quatre conducteurs (maisons mobiles) (États-Unis)

Si les codes locaux ne permettent PAS la connexion du conducteur de mise à la terre du châssis au fil neutre du cordon d'alimentation en cuivre (voir figure 9).

1. Enlevez la vis qui retient le couvercle arrière afin de vous permettre d'atteindre les bornes du bloc de connexion de la cuisinière (voir page 2).
2. Enlevez la plaque de mise à la terre de la borne centrale du bloc de connexion et du châssis de l'appareil. Conservez la vis de mise à la terre.
3. Branchez le fil de mise à la terre (vert) du cordon d'alimentation cuivré, au châssis de l'appareil avec la vis de mise à la terre, à l'aide du trou dans le châssis à l'endroit où la bande de mise à la terre a été enlevée (voir Figure 9).
4. Utilisez les écrous fournis dans l'enveloppe littérature pour raccorder le neutre (blanc) du cordon d'alimentation cuivré, à la borne argentée située au centre du bloc de connexion, et raccordez les autres fils aux bornes extérieures. Assortissez les fils et les bornes conformément aux couleurs (branchez le fil rouge à la borne de droite, et le fil noir à la borne de gauche).
5. Remplacez le couvercle arrière et fixez-le à l'aide de la vis enlevée à l'étape 1.



NOTE: Assurez-vous d'enlever la plaque de mise à la terre fournie avec l'appareil.

Figure 9

Instructions d'installation pour cuisinières 30" électriques

6.2 Branchement électrique direct au système électrique de la résidence

L'appareil doit être raccordé directement au disjoncteur ou au compartiment de fusibles au moyen d'un câble flexible en cuivre, blindé ou muni d'une gaine protectrice non métallique (avec fil de mise à la terre). Un des connecteurs homologués UL doit être fixé à chaque extrémité du câble d'alimentation (à l'appareil et à la boîte de jonction). Les grosseurs des fils (**fil en cuivre seulement**) et des raccordements doivent se conformer à la capacité de l'appareil.

Si les codes locaux permettent le raccordement du conducteur de mise à la terre du châssis au fil neutre (blanc) de la boîte de jonction (voir figure 10):

1. Assurez-vous qu'il n'y a pas de courant sur le câble provenant du système électrique de la résidence.
2. Suivez les instructions à la page précédente sous la rubrique pour une connexion à un câble d'alimentation à quatre conducteurs (figure 9).
3. Dans la boîte de jonction (figure 10):
 - a) Reliez ensemble, le fil blanc, le fil vert (dénudé) de l'appareil et le fil neutre (blanc) du câble d'alimentation.
 - b) Reliez ensemble les deux fils noirs.
 - c) Reliez ensemble les deux fils rouges.

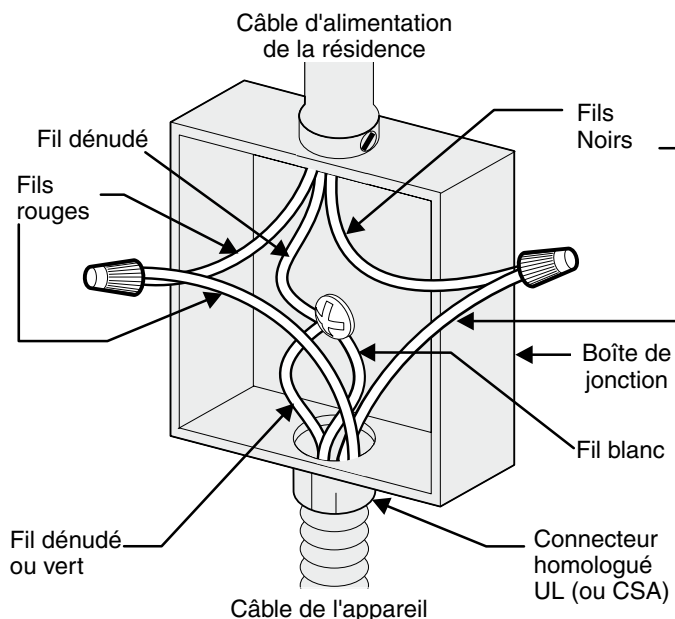


Figure 10

BOÎTE DE JONCTION À 3 FILS - MISE À LA TERRE

Aux endroits où les codes locaux l'interdisent, ou si vous raccordez à un système électrique à quatre conducteurs, ne raccordez pas le conducteur de mise à la terre du châssis au fil neutre (blanc) de la boîte de jonction (voir figure 11):

1. Assurez-vous qu'il n'y a pas de courant sur le câble provenant du système électrique de la résidence.
2. Suivez les instructions à la page précédente sous la rubrique pour une connexion à un câble d'alimentation à quatre conducteurs (figure 9).
3. Dans la boîte de jonction (figure 10):
 - a) Reliez le fil blanc du câble de l'appareil au fil neutre (blanc) du câble d'alimentation.
 - b) Reliez les deux fils noirs ensemble.
 - c) Reliez les deux fils rouges ensemble.
 - d) Reliez le fil de cuivre ou dénudé du câble de l'appareil au fil de cuivre ou dénudé du câble d'alimentation.

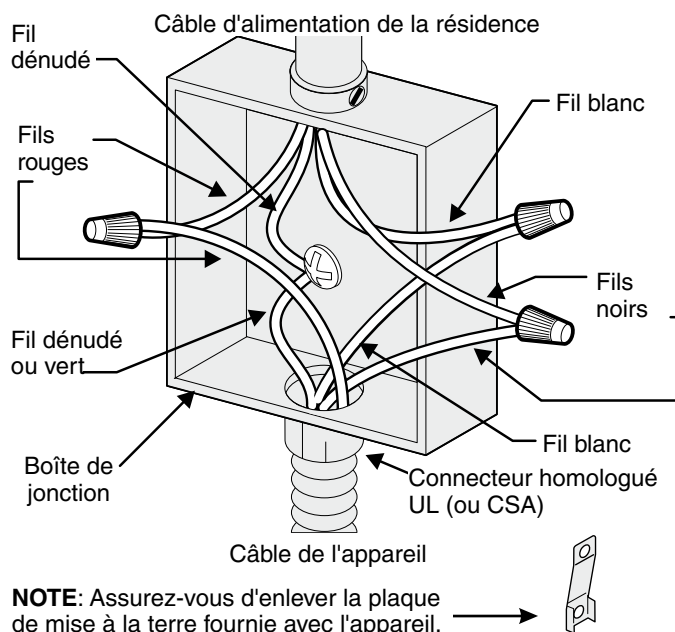


Figure 11

BOÎTE DE JONCTION À 4 FILS - MISE À LA TERRE

7. Vérification du Fonctionnement

Référez-vous au Manuel d'utilisation et d'entretien fourni avec la cuisinière pour les directives de fonctionnement d'entretien et de nettoyage.

⚠ MISE EN GARDE Ne touchez pas aux éléments. Ils peuvent être assez chauds pour causer des brûlures.

Avant d'appeler le service d'entretien

Réviser la liste des vérifications préventives et les instructions d'opération dans votre **Manuel d'utilisation et d'entretien**. Vous sauvez probablement du temps et de l'argent. La liste contient les événements ordinaires qui ne résultent pas de défauts dans le matériel ou la fabrication de cet appareil.

Instructions d'installation pour cuisinières 30" électriques

Notes