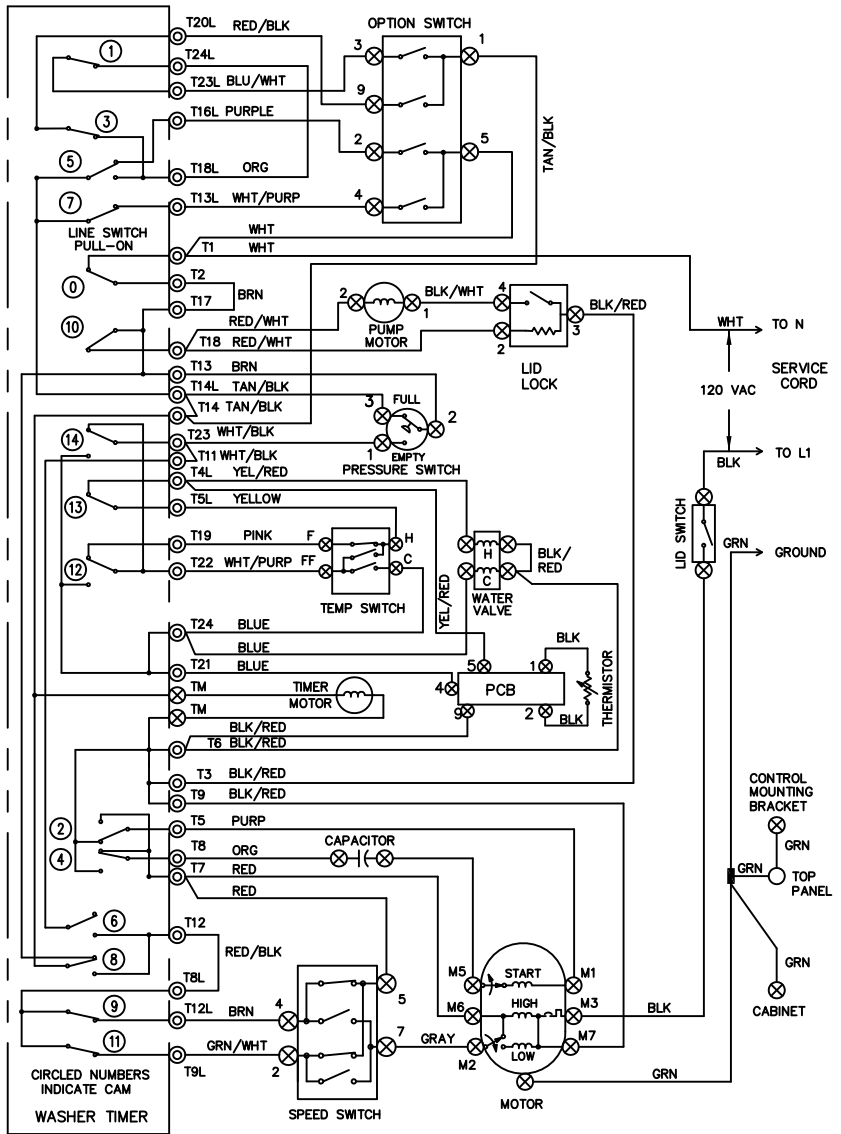
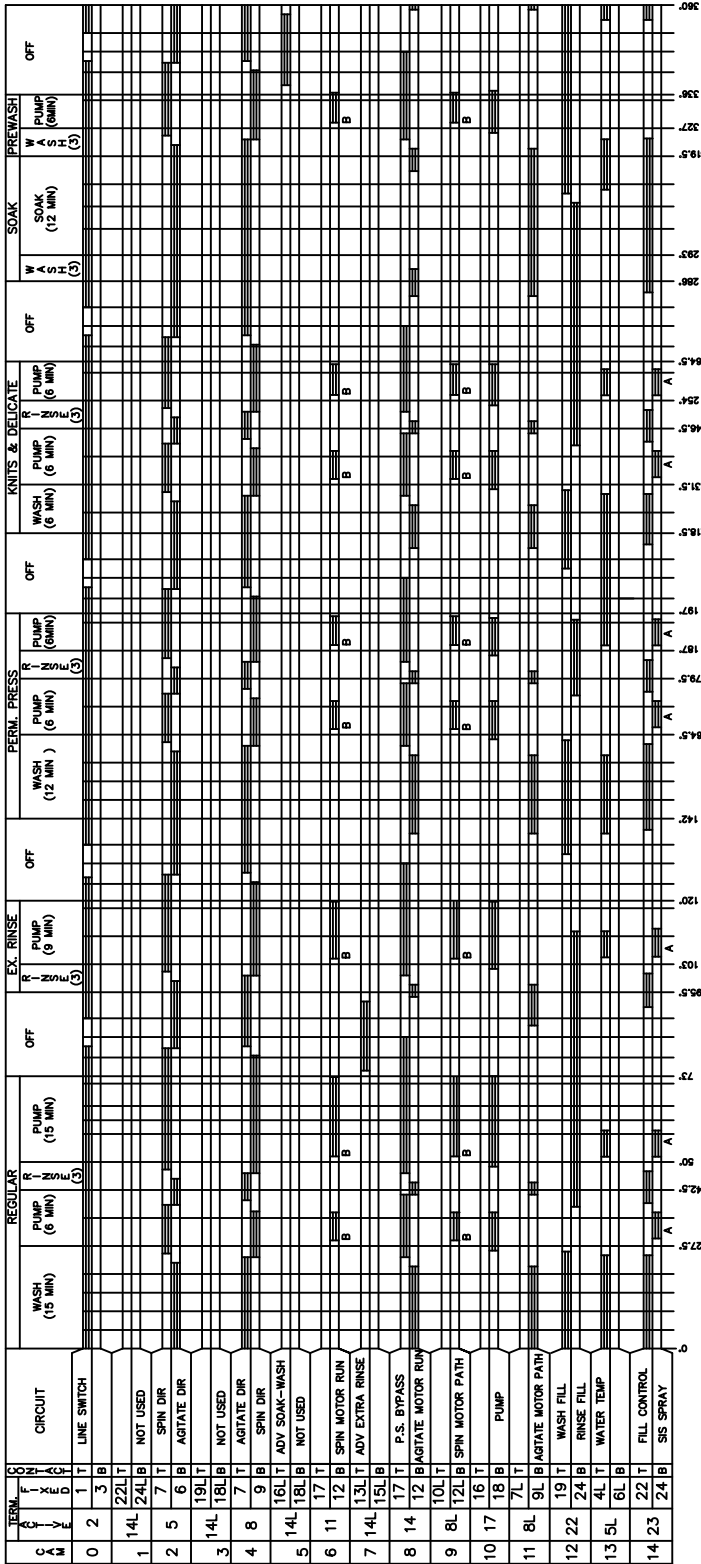


CAUTION: DISCONNECT ELECTRIC CURRENT BEFORE SERVICING



TEMPERATURE SWITCH CIRCUIT

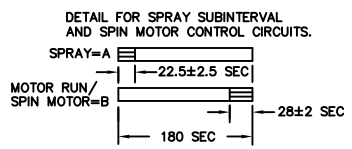
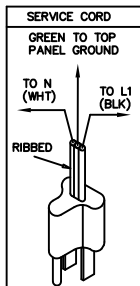
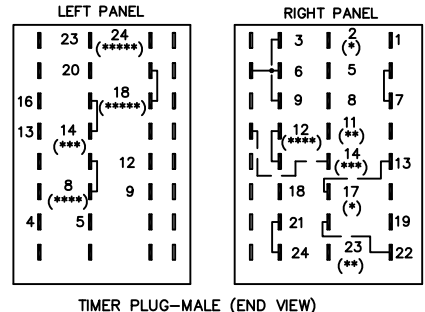
WASH/RINSE	F-H	FF-H	FF-C
R H/C	X		
W/C	X	X	
C/C		X	X
W/W		X	X

H=HOT R=REGULATED
C=COLD
W=WARM

OPTION SWITCH

POS	OPTION	1-9	1-3	5-4	5-2
1	POWER SCRUB/EXTRA RINSE			X	X
2	EXTRA RINSE	X		X	
3	POWER SCRUB		X		X
4	OFF	X	X		

X=SWITCH CLOSED



- (END VIEW) WIRING CODES
- ⊙ PLUG IN TIMER TERMINAL
 - ⊗ QUICK DISCONNECT TERMINAL
 - SCREW TERMINAL
 - CONNECTION
 - + NO CONNECTION
 - ⚡ MOTOR SWITCH
 - SPlice
 - ⊗ MOTOR PROTECTOR
 - ⊕ CHASSIS (CABINET) GROUND

SPEED SWITCH CIRCUIT

AGIT/SPIN	2-5	2-7	4-7	4-5
N/N	X			X
N/S	X		X	
S/N (OPT)		X		X
S/S		X	X	

N=NORMAL S=SLOW X=CLOSED

CAUTION: DISCONNECT ELECTRIC CURRENT BEFORE SERVICING

WIRING DIAGRAM PART NO. 137171200 A