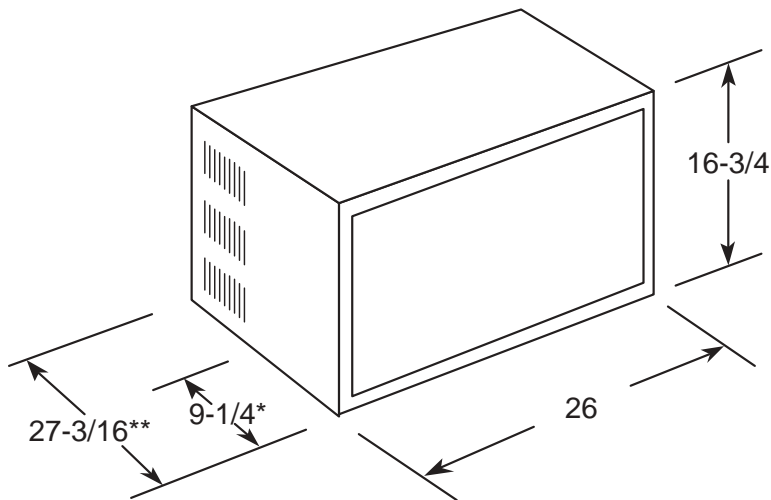




GE Appliances

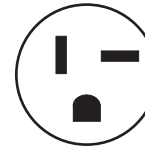
ASF24DA – GE® Mechanical Deluxe 230 Volt Room Air Conditioner

Wall Case Dimensions (in inches)



*Distance from front of case to side louvers (excluding grille).

**Excludes front grille.



Perpendicular
230/208V
20 Amp

Note: When installing slide-out chassis units in through-the-wall applications, keep louvers free. Do not restrict air flow areas. Fixed chassis units are not suitable for through-the-wall applications.

Wall Outlets: All wiring, including installation of receptacle, must be made in accordance with local electrical codes and regulations. Electrical outlet should be in reach of line cord.

Note: Aluminum wiring may pose special problems—consult a qualified electrician.



Total capacity and E.E.R. ratings are calculated based on the Association of Home Appliance Manufacturers' standards.



Listed by
Underwriters
Laboratories

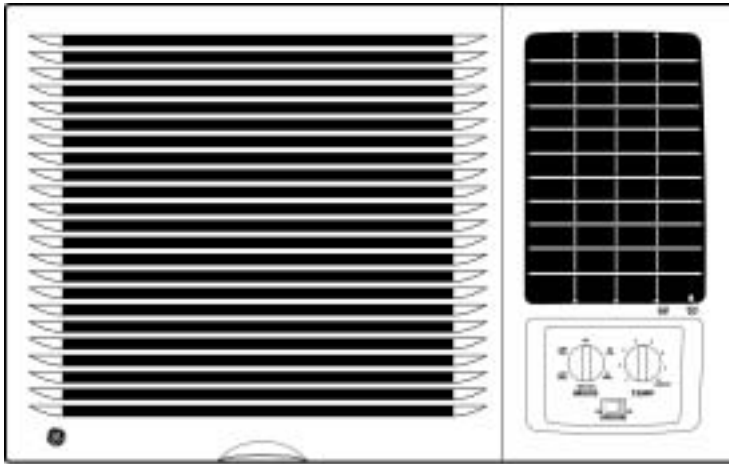


As an ENERGY STAR® Partner, GE has determined that this product meets the ENERGY STAR® guidelines for energy efficiency.



GE Appliances

ASF24DA – GE® Mechanical Deluxe 230 Volt Room Air Conditioner



Features and Benefits

- 23,700/23,100 BTU
- 9.4/9.4 EER
- 230/208 Volts
- ENERGY STAR® Certified
- Mechanical Control
- 8-Position Thermostat
- 3 Cooling/2 Fan Only Speeds
- Slide-Out Chassis
- Auto Circulaire™
- Model ASF24DA