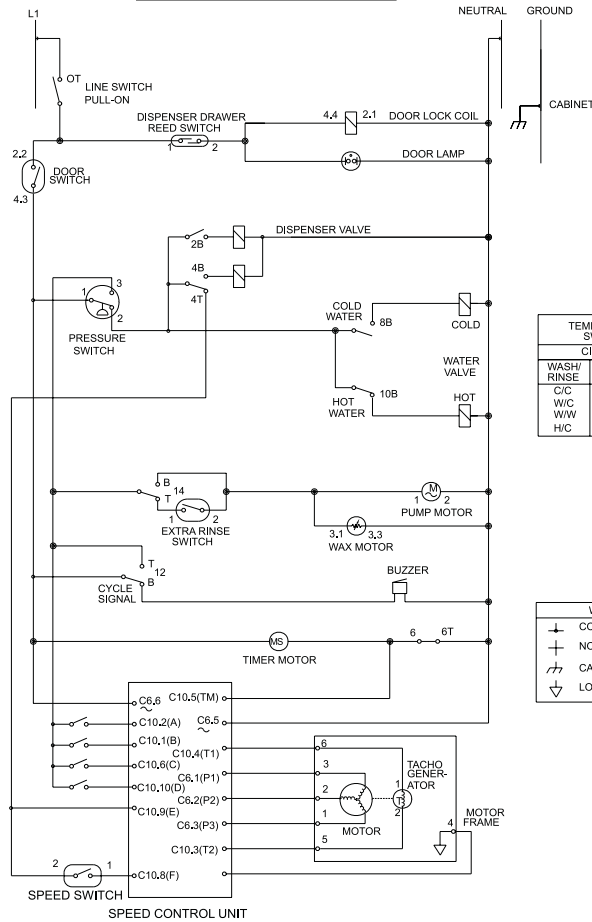


CAUTION: Use the Kenmore part number on all orders, not the illustration number.

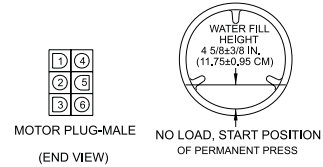
STEP NO.	STEP TIME (MIN.)	CIRCUIT	REGULAR						PERMANENT PRESS				DELICATES/HAND WASH							
			HEAVY WASH	NORMAL WASH	QUICK WASH	RINSES & SPINS	FINAL RINSE	FINAL SPIN	OFF	WASH	RINSES & SPINS	FINAL RINSE	FINAL SPIN	OFF	WASH	RINSES & SPINS	FINAL RINSE	FINAL SPIN	OFF	
0/0		DETENT																		
0/2		MACHINE POWER																		
1/23		CODE A																		
2/5		SOLENOID 2																		
3/23		CODE B																		
4/5		CODE E																		
5/23		SOLENOID 1																		
6/11		CODE C																		
7/23		TM DIRECT																		
8/14		CODE D																		
10/14		COLD WATER																		
12/20		HOT WATER																		
14/19		PRESS SW. BYPASS BUZZER																		
		DRAIN PUMP-EX R																		
		DRAIN PUMP																		

WARNING TO REDUCE THE RISK OF ELECTRICAL SHOCK DISCONNECT THIS APPLIANCE FROM THE POWER SUPPLY BEFORE ATTEMPTING ANY USER MAINTENANCE. TURNING THE CONTROLS TO THE OFF POSITION DOES NOT DISCONNECT THIS APPLIANCE FROM THE POWER SUPPLY.

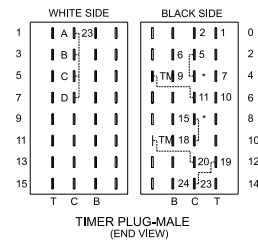


ELECTRICAL COMPONENT	RESISTANCE Ω @ 77°F (25 @ 77°C)
WATER VALVE SOLENOIDS	880 ±10%
DOOR LOCK SOLENOID	380 ±10%
TIMER MOTOR	2425 ±6%
PUMP MOTOR	15 ±7%
DISPENSER VALVE SOLENOIDS	1100 ±7%
M1 TO M2	2,6 ±7%
M2 TO M3	2,6 ±7%
M1 TO M3	2,6 ±7%
M5 TO M6	184 ±7%

CIRCUIT	TEMPERATURE SWITCH		
	1-3	1-5	2-4
WASH/RINSE	X	X	X
C/C	X	X	X
W/C	X	X	X
W/W	X	X	X
H/C	X	X	X



WIRING CODES	
+	CONNECTION
+	NO CONNECTION
⏏	CABINET GROUND
⏏	LOCAL GROUND



WIRING DIAGRAM
P/N 131906800