



30" (76.2 CM), 36" (91.4 CM), 42" (106.7 CM) AND 48" (121.9 CM) COMMERCIAL STYLE WALL-MOUNT CANOPY RANGE HOOD

Installation Instructions and Use & Care Guide

For questions about features, operation/performance, parts, accessories or service, call: 1-800-422-1230
or visit our website at www.kitchenaid.com

In Canada, for assistance, installation and service, call: 1-800-807-6777
or visit our website at www.kitchenaid.ca

HOTTE D'EXTRACTION À MONTAGE MURAL DE STYLE COMMERCIAL DE 30" (76,2 CM), 36" (91,4 CM), 42" (106,7 CM) ET 48" (121,9 CM)

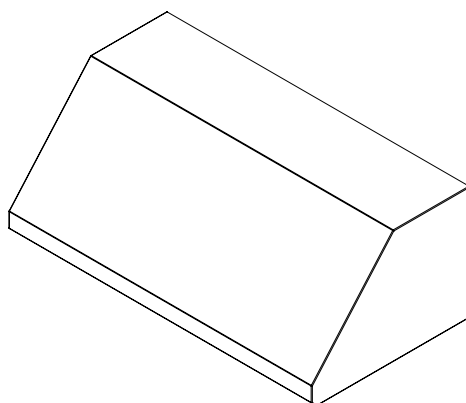
Instructions d'installation et Guide d'utilisation et d'entretien

Au Canada, pour assistance, installation ou service composez le 1-800-807-6777
ou visitez notre site web à www.kitchenaid.ca

Para obtener acceso al manual de uso y cuidado en español, o para obtener información adicional acerca de su producto, visite: www.kitchenaid.com.

Tenga listo su número de modelo completo. Puede encontrar el número de modelo y de serie dentro de la cavidad superior de la puerta.

Table of Contents/Table des matières..... 2



**IMPORTANT: READ AND SAVE THESE INSTRUCTIONS.
FOR RESIDENTIAL USE ONLY.**

**IMPORTANT : LIRE ET CONSERVER CES INSTRUCTIONS.
POUR UTILISATION RÉSIDENIELLE UNIQUEMENT.**

TABLE OF CONTENTS

RANGE HOOD SAFETY	3
INSTALLATION REQUIREMENTS	4
Tools and Parts	4
Location Requirements	5
Venting Requirements	6
Electrical Requirements	7
INSTALLATION INSTRUCTIONS	8
Prepare Location	8
Change Hood to Optional Rear Exhaust	8
Install Range Hood	10
Make Electrical Connection	10
Install Grease Filters	11
Check Operation	11
RANGE HOOD USE	11
Range Hood Controls	11
RANGE HOOD CARE	12
Range Hood Lamps	12
Cleaning	12
WIRING DIAGRAM	13
ASSISTANCE OR SERVICE	14
In the U.S.A.	14
In Canada	14
Accessories	14
WARRANTY	15

TABLE DES MATIÈRES

SÉCURITÉ DE LA HOTTE DE CUISINIÈRE	16
EXIGENCES D'INSTALLATION	18
Outillage et pièces	18
Exigences d'emplacement	18
Exigences concernant l'évacuation	19
Spécifications électriques	20
INSTRUCTIONS D'INSTALLATION	21
Préparation de l'emplacement	21
Modification de la hotte pour évacuation par l'arrière facultative	21
Installation de la hotte	23
Raccordement électrique	23
Installation des filtres à graisse	24
Contrôle du fonctionnement	24
UTILISATION DE LA HOTTE	24
Commandes de la hotte de cuisinière	24
ENTRETIEN DE LA HOTTE DE CUISINIÈRE	25
Lampes de la hotte de cuisinière	25
Nettoyage	25
SCHÉMA DE CÂBLAGE	26
ASSISTANCE OU SERVICE	27
Au Canada	27
Accessoires	27
GARANTIE	28

RANGE HOOD SAFETY

Your safety and the safety of others are very important.

We have provided many important safety messages in this manual and on your appliance. Always read and obey all safety messages.



This is the safety alert symbol.

This symbol alerts you to potential hazards that can kill or hurt you and others.

All safety messages will follow the safety alert symbol and either the word "DANGER" or "WARNING."

These words mean:

 **DANGER**

You can be killed or seriously injured if you don't immediately follow instructions.

 **WARNING**

You can be killed or seriously injured if you don't follow instructions.

All safety messages will tell you what the potential hazard is, tell you how to reduce the chance of injury, and tell you what can happen if the instructions are not followed.

IMPORTANT SAFETY INSTRUCTIONS

WARNING: TO REDUCE THE RISK OF FIRE, ELECTRIC SHOCK, OR INJURY TO PERSONS, OBSERVE THE FOLLOWING:

- Use this unit only in the manner intended by the manufacturer. If you have questions, contact the manufacturer.
- Before servicing or cleaning the unit, switch power off at service panel and lock the service disconnecting means to prevent power from being switched on accidentally. When the service disconnecting means cannot be locked, securely fasten a prominent warning device, such as a tag, to the service panel.
- Installation work and electrical wiring must be done by qualified person(s) in accordance with all applicable codes and standards, including fire-rated construction.
- Do not operate any fan with a damaged cord or plug. Discard fan or return to an authorized service facility for examination and/or repair.
- Sufficient air is needed for proper combustion and exhausting of gases through the flue (chimney) of fuel burning equipment to prevent backdrafting. Follow the heating equipment manufacturer's guideline and safety standards such as those published by the National Fire Protection Association (NFPA), the American Society for Heating, Refrigeration and Air Conditioning Engineers (ASHRAE), and the local code authorities.
- When cutting or drilling into wall or ceiling; do not damage electrical wiring and other utilities.
- Ducted fans must always be vented outdoors.

CAUTION: For general ventilating use only. Do not use to exhaust hazardous or explosive materials and vapors.

CAUTION: To reduce risk of fire and to properly exhaust air, be sure to duct air outside - do not vent exhaust air into spaces within walls or ceilings, attics or into crawl spaces, or garages.

WARNING: TO REDUCE THE RISK OF FIRE, USE ONLY METAL DUCTWORK.

WARNING: TO REDUCE THE RISK OF A RANGE TOP GREASE FIRE:

- Never leave surface units unattended at high settings. Boilovers cause smoking and greasy spillovers that may ignite. Heat oils slowly on low or medium settings.
- Always turn hood ON when cooking at high heat or when flambeing food (i.e. Crepes Suzette, Cherries Jubilee, Peppercorn Beef Flambé).
- Clean ventilating fans frequently. Grease should not be allowed to accumulate on fan or filter.
- Use proper pan size. Always use cookware appropriate for the size of the surface element.

WARNING: TO REDUCE THE RISK OF INJURY TO PERSONS IN THE EVENT OF A RANGE TOP GREASE FIRE, OBSERVE THE FOLLOWING:^a

- SMOTHER FLAMES with a close fitting lid, cookie sheet, or metal tray, then turn off the burner. BE CAREFUL TO PREVENT BURNS. If the flames do not go out immediately, EVACUATE AND CALL THE FIRE DEPARTMENT.
- NEVER PICK UP A FLAMING PAN - you may be burned.
- DO NOT USE WATER, including wet dishcloths or towels - a violent steam explosion will result.
- Use an extinguisher ONLY if:
 - You know you have a class ABC extinguisher, and you already know how to operate it.
 - The fire is small and contained in the area where it started.
 - The fire department is being called.
 - You can fight the fire with your back to an exit.

^aBased on "Kitchen Fire Safety Tips" published by NFPA.

- **WARNING:** To reduce the risk of fire or electrical shock, do not use this fan with any solid-state speed control device.

READ AND SAVE THESE INSTRUCTIONS

INSTALLATION REQUIREMENTS

Tools and Parts

Gather the required tools and parts before starting installation. Read and follow the instructions provided with any tools listed here.

Tools needed

- Level
- Drill
- 1¼" (3 cm) drill bit
- ⅛" (3 mm) drill bit if installing into wood and a ⅝" (8 mm) drill bit if installing optional backsplash kit.
- Pencil
- Wire stripper or utility knife
- Tape measure or ruler
- Pliers
- Caulking gun and weatherproof caulking compound

- Vent clamps
- Jigsaw or keyhole saw
- Flat-blade screwdriver
- Metal snips
- Phillips screwdriver
- Scissors

Parts needed

- Home power supply cable
- 1 - ½" (12.7 mm) UL listed or CSA approved strain relief
- 2 UL listed wire connectors
- 1 wall or roof cap
- Metal vent system

Parts supplied

Remove parts from packages. Check that all parts are included.

- 2 metal grease filters for 30" (76.2 cm) models
- 3 metal grease filters for 36" (91.4 cm) models
- 3 metal grease filters for 42" (106.7 cm) models
- 4 metal grease filters for 48" (121.9 cm) models
- 2 mounting brackets with adjustment screws installed
- 2 mounting bracket screws
- 4 washer head Phillips mounting screws
- Damper
- 2 dampers for 48" (121.9 cm) model.

Location Requirements

IMPORTANT: Observe all governing codes and ordinances.

Have a qualified technician install the range hood. It is the installer's responsibility to comply with installation clearances specified on the model/serial rating plate. The model/serial rating plate is located inside the range hood on the rear wall of the range hood.

Canopy range hood location should be away from strong draft areas, such as windows, doors and strong heating vents.

Cabinet opening dimensions that are shown must be used. Given dimensions provide minimum clearance.

The canopy range hood is factory set for venting through the roof or through the wall.

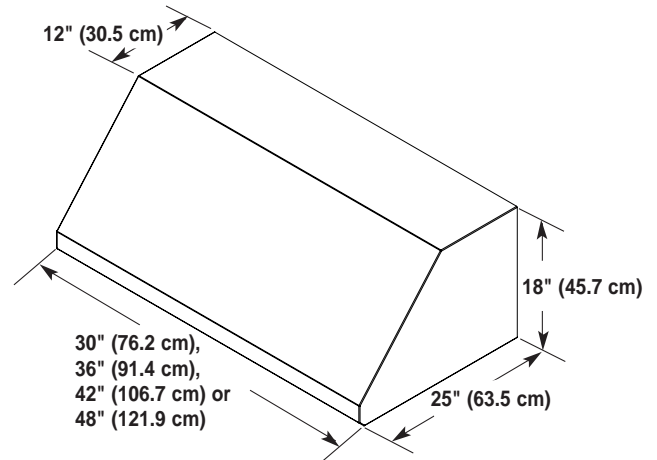
All openings in ceiling and wall where canopy range hood will be installed must be sealed.

For Mobile Home Installations

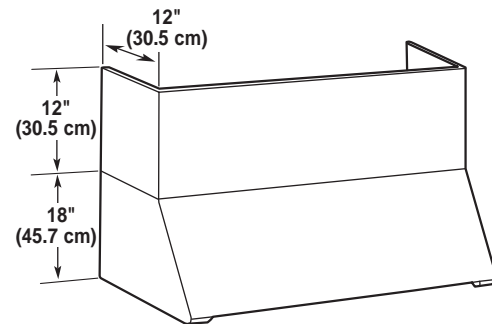
The installation of this range hood must conform to the Manufactured Home Construction Safety Standards, Title 24 CFR, Part 328 (formerly the Federal Standard for Mobile Home Construction and Safety, Title 24, HUD, Part 280) or when such standard is not applicable, the standard for Manufactured Home Installation 1982 (Manufactured Home Sites, Communities and Setups) ANSI A225.1/NFPA 501A*, or latest edition, or with local codes.

Product Dimensions

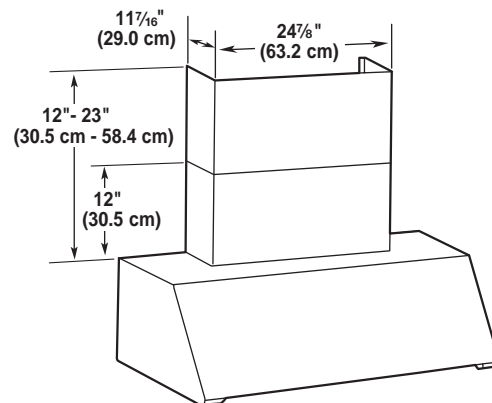
Vented Installations



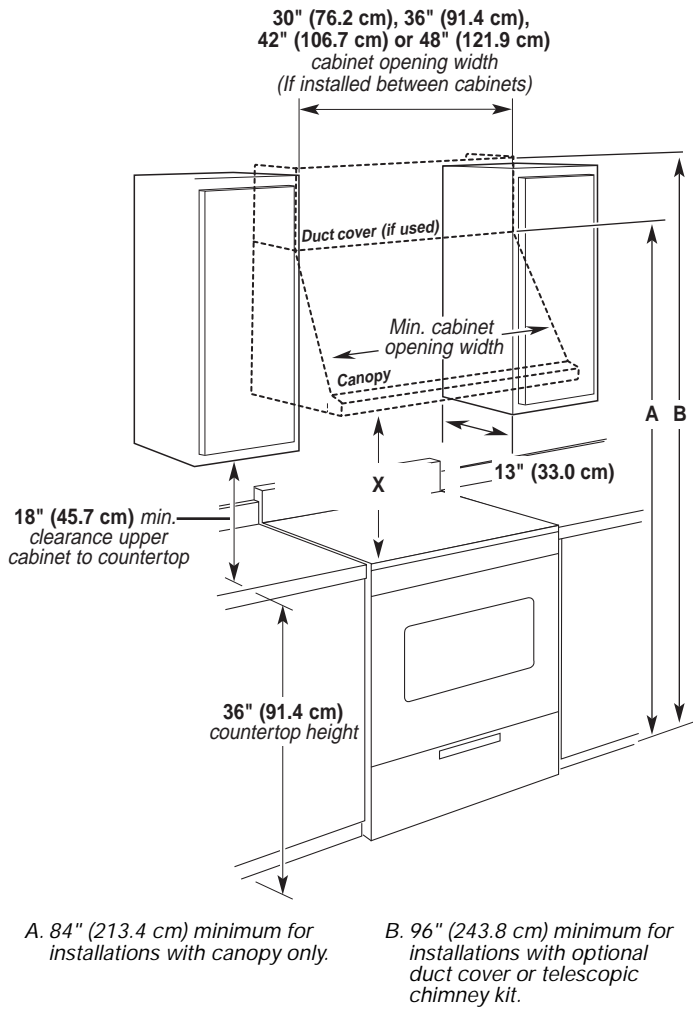
Optional Full-Width Duct Cover Installations



Optional Telescopic Chimney Kit Installations



Installation Dimensions



IMPORTANT:

Minimum distance "X": 30" (76.2 cm)
Suggested maximum distance "X": 36" (91.4 cm)

Venting Requirements

- Vent system must terminate to the outdoors.
- Do not terminate the vent system in an attic or other enclosed area.
- Do not use 4" (10.2 cm) laundry-type wall caps.
- Use metal vent only. Rigid metal vent is recommended. Plastic or metal foil vent is not recommended.
- The length of vent system and number of elbows should be kept to a minimum to provide efficient performance.

For the most efficient and quiet operation:

- Use no more than three 90° elbows.
- Make sure there is a minimum of 24" (61.0 cm) of straight vent between the elbows if more than 1 elbow is used.
- Do not install 2 elbows together.
- Use clamps to seal all joints in the vent system.

- The vent system must have a damper. If the roof or wall cap has a damper, do not use the damper supplied with the range hood.
- Use caulking to seal exterior wall or roof opening around the cap.
- The size of the vent should be uniform.

Cold weather installations

An additional back draft damper should be installed to minimize backward cold air flow and a thermal break should be installed to minimize conduction of outside temperatures as part of the vent system. The damper should be on the cold air side of the thermal break.

The break should be as close as possible to where the vent system enters the heated portion of the house.

Makeup air

Local building codes may require the use of make up air systems when using ventilation systems greater than specified CFM of air movement. The specified CFM varies from locale to locale. Consult your HVAC professional for specific requirements in your area.

Venting Methods

A 6" (15.2 cm) round vent system is needed for installation (not included). The hood exhaust opening is 6" (15.2 cm) round. Two 6" (15.2 cm) round vent systems are needed for installation on 48" (121.9 cm) models.

NOTE: Flexible vent is not recommended. Flexible vent creates back pressure and air turbulence that greatly reduce performance.

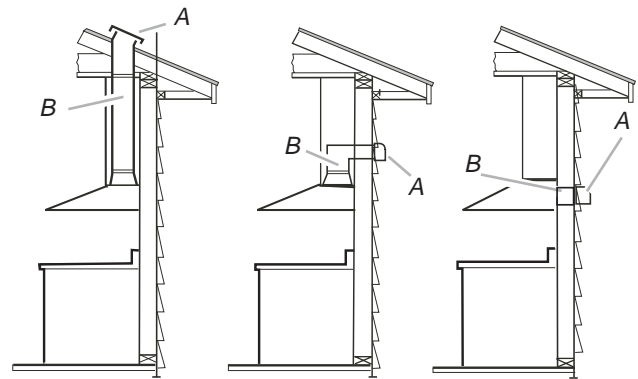
Vent system can terminate either through the roof or wall. The exhaust collar can also be directed to vent out the rear of the hood.

To vent through the wall, the blower needs to be changed to the proper orientation.

Roof Venting

Wall Venting

Rear Venting



A. Roof cap
B. 6" (15.2 cm) round vent*

A. Wall cap
B. 6" (15.2 cm) round vent*

A. Wall cap
B. 6" (15.2 cm) round vent*

*The 48" (121.9 cm) hood uses two 6" (15.2 cm) round vents or transitions to 10" (25.4 cm) round vent using Part Number 4396915.

Calculating Vent System Length

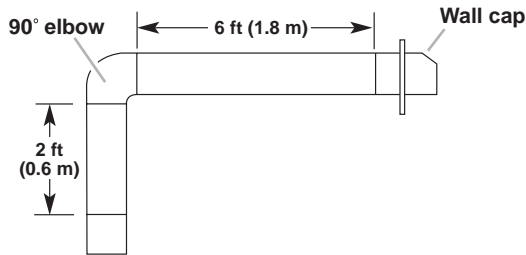
To calculate the length of the system you need, add the equivalent feet (meters) for each vent piece used in the system.

Vent Piece	Equivalent Length
45° elbow	2.5 ft (0.8 m)
90° elbow	5.0 ft (1.5 m)

The maximum equivalent vent lengths are:

- 6" (15.2 cm) round vent - 35 ft (10.7 m)
- 7" (17.8 cm) round vent - 40 ft (12.2 m)
- 8" (20.3 cm) round vent - 50 ft (15.2 m)
- 9" (22.9 cm) and 10" (25.4 cm) round vents - 60 ft (18.3 m)

Example vent system



The following example falls within the maximum recommended vent length.

1 - 90° elbow	= 5.0 ft (1.5 m)
1 - wall cap	= 0.0 ft (0.0 m)
8 ft (2.4 m) straight	= 8.0 ft (2.4 m)
Length of system	= 13.0 ft (3.9 m)

Electrical Requirements

Observe all governing codes and ordinances.

Ensure that the electrical installation is adequate and in conformance with National Electrical Code, ANSI/NFPA 70 (latest edition), or CSA Standards C22.1-94, Canadian Electrical Code, Part 1 and C22.2 No. 0-M91 (latest edition) and all local codes and ordinances.

If codes permit and a separate ground wire is used, it is recommended that a qualified electrician determine that the ground path is adequate.

A copy of the above code standards can be obtained from:

National Fire Protection Association
One Batterymarch Park
Quincy, MA 02269

CSA International
8501 East Pleasant Valley Road
Cleveland, OH 44131-5575

- A 120 Volt, 60 Hz., AC only, 15-amp, fused electrical circuit is required.

- If the house has aluminum wiring, follow the procedure below:

1. Connect a section of solid copper wire to the pigtail leads.
2. Connect the aluminum wiring to the added section of copper wire using special connectors and/or tools designed and UL listed for joining copper to aluminum.

Follow the electrical connector manufacturer's recommended procedure. Aluminum/copper connection must conform with local codes and industry accepted wiring practices.

- Wire sizes and connections must conform with the rating of the appliance as specified on the model/serial rating plate. The model/serial plate is located behind the filter on the rear wall of the range hood.
- Wire sizes must conform to the requirements of the National Electrical Code, ANSI/NFPA 70 (latest edition), or CSA Standards C22.1-94, Canadian Electrical Code, Part 1 and C22.2 No. 0-M91 (latest edition) and all local codes and ordinances.

INSTALLATION INSTRUCTIONS

Prepare Location

- It is recommended that the vent system be installed before hood is installed.
 - Before making cutouts, make sure there is proper clearance within the ceiling or wall for exhaust vent.
 - Check that all installation parts have been removed from the shipping carton.
1. Disconnect power.
 2. Determine which venting method to use: roof, wall or rear exhaust.
 3. Select a flat surface for assembling the range hood. Place covering over that surface.

⚠ WARNING

Excessive Weight Hazard

Use two or more people to move and install range hood.

Failure to do so can result in back or other injury.

4. Using 2 or more people, lift range hood onto covered surface.

Optional Backsplash Installation

The following instructions are for the backsplash without shelves. If you are installing the Optional Backsplash with Shelves for Heat Lamps, follow the instructions included with that product.

The hardware package supplied with the kit includes 4 plastic wall anchors and mounting screws.

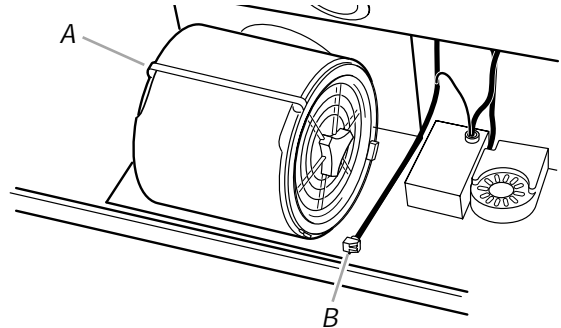
NOTE: The minimum height of the hood above the cooktop is 30" (76.2 cm). The backsplash can be extended from 19²³/₃₂" (50.1 cm) to 39" (99.1 cm). As the 30" (76.2 cm) installation height increases, the hood's capture area decreases.

- Determine height of the hood.
- For ease of installation, use 2 or more people to position the backsplash on the wall so that the top of the backsplash is at the height of the bottom edge of the hood. Mark the location of the four corner holes. It is recommended that the backsplash be attached to the wall at all four corners. However, the lower flange can be secured between the wall and backsplash, countertop or cabinet base without using the bottom corner screws.
- Drill 5/16" (8 mm) holes.
- Push plastic wall anchors all the way into the holes.
- Position the holes in the backsplash over the wall anchors and attach using the screws supplied.

Change Hood to Optional Rear Exhaust

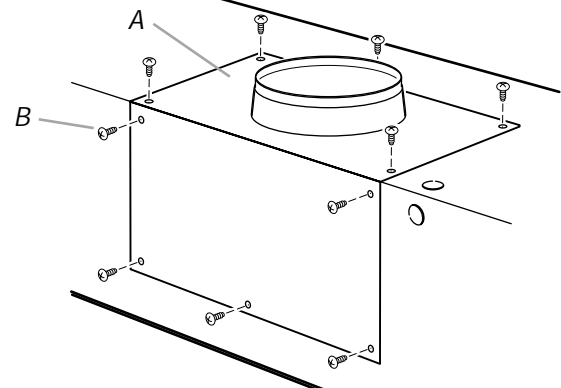
The hood comes from the factory with the exhaust collar on top of the hood. The hood exhaust may be directed out the rear of the hood through the exhaust collar. If you desire to have the hood exhaust out the rear, follow the procedure below.

1. From inside the hood, unplug wire attached to blower motor.



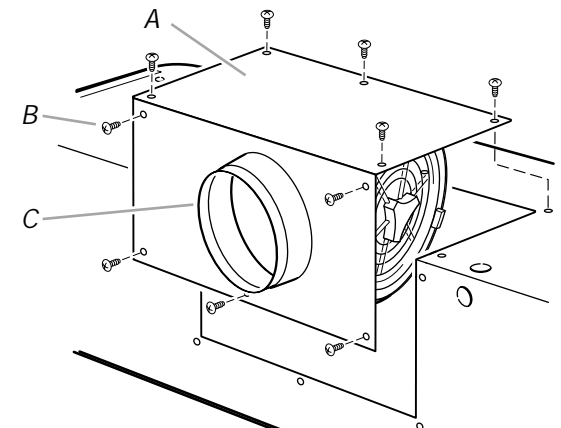
A. Blower motor
B. Blower motor plug

2. Turn the hood over and remove the screws holding the exhaust blower assembly to the hood.



A. Blower motor
B. Screws

3. Rotate the blower assembly so that the exhaust collar is facing out the back of the hood.



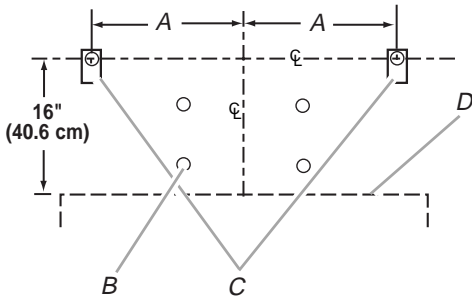
A. Exhaust blower assembly
B. Screws
C. Exhaust collar

4. Replace the screws holding the blower assembly to the hood.
5. Plug the blower motor wire back into the blower motor.

Range Hood Mounting Screws Installation

The hood attaches to the wall with two mounting brackets with adjustment screws and four mounting screws.

1. Determine and mark the centerline on the wall where the canopy range hood will be installed.
2. Select a mounting height between a minimum of 30" (76.2 cm) and a suggested maximum of 36" (91.4 cm), above the cooking surface and the bottom of the range hood. To this distance, add 16" (40.6 cm) and mark a horizontal line.
3. Mark 2 points on each side of the horizontal line the distance shown in "A" below (based on the size of your range hood).



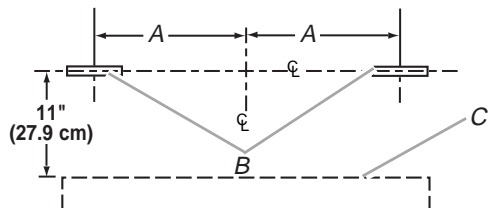
- A. Distance from center of mounting bracket to centerline.
 30" (76.2 cm) hood: 13³/₈" (34.0 cm)
 36" (91.4 cm) hood: 16³/₈" (41.6 cm)
 42" (106.7 cm) hood: 19⁷/₁₆" (49.4 cm)
 48" (121.9 cm) hood: 22³/₈" (56.8 cm)
- B. Mounting screws (4)
 C. Mounting brackets and adjustment screws
 D. Bottom of hood

4. Adjust the two adjusting screws on the mounting brackets to the lowest point and attach to the wall with the screws provided. The screws provided for mounting this hood must be fastened into solid wood. Do not fasten into sheet rock only.

IMPORTANT: All screws must be installed into wood. If there is no wood to install into, additional wall framing supports may be required.

Optional Duct Cover Installation

1. Attach the full-width duct cover to the top of the range hood with the screws provided. The duct cover must be attached to the top of the range hood before mounting the range hood to the wall. For information on ordering the optional duct cover, see "Accessories" section.



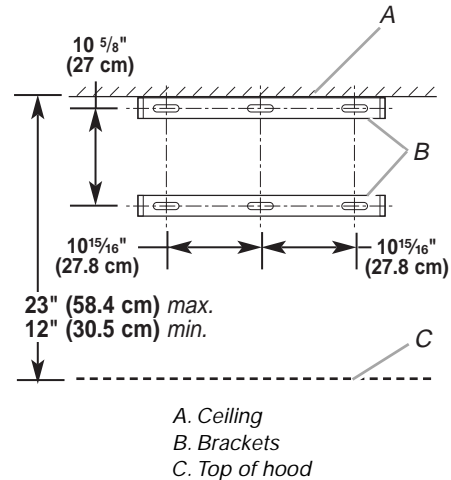
- A. Distance from center of mounting bracket to centerline.
 30" (76.2 cm) hood: 13¹/₂" (34.2 cm)
 36" (91.4 cm) hood: 16¹/₂" (41.8 cm)
 42" (106.7 cm) hood: 19¹/₂" (49.4 cm)
 48" (121.9 cm) hood: 22¹/₂" (57.1 cm)
- B. Mounting brackets
 C. Top of hood

2. Install each bracket on the wall as shown. Make sure the screws and brackets are securely fastened to the wall.

IMPORTANT: Install only the brackets. Do not install the hood.

Optional Chimney Extension Installation

1. If a chimney extension is used, attach the extension brackets as shown. Make sure that the screws are securely fastened to the wall. For information on ordering the optional chimney extensions, see "Accessories" section.



Optional Heat Lamp Installation

1. Remove the bottom panel at the rear of the hood by removing the screws located at each end.
2. Install the heat lamp kit with the tabs inserted into the corresponding slots on the hood and the screws toward the front of the hood. Replace the screws to secure it in place.

Complete Preparation

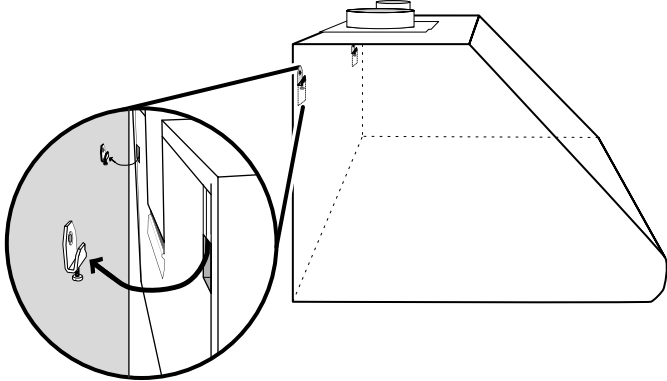
1. Determine and make all necessary cuts in the wall for the vent system. Install the vent system before installing the range hood. See the "Venting Requirements" section.
2. Determine the location where the power supply cable will be run through the wall.
3. Drill a 1¹/₄" (3.2 cm) hole at this location.
4. Pull enough power supply cable through the wall to allow for easy connection to the terminal box.
5. If roof or wall cap does not have a damper, attach damper to exhaust opening(s) on top of the hood using two Phillips-head screws.
6. If 48" (121.9 cm) hood is to be connected to 10" (25.4 cm) round vent system, install the vent transition piece now.

Install Range Hood

The hood attaches to the wall by screws discussed in the "Prepare Location" section.

- Using two or more people, hang the range hood on the two mounting brackets and adjust the mounting brackets from inside the hood to make the hood level.

IMPORTANT: Make sure that the range hood is securely tightened against the wall.



- Install the mounting screws into the wall until the screw heads are tight. The screws provided for mounting this hood must be fastened into solid wood. Do not fasten into sheet rock only.

IMPORTANT: All screws must be installed into wood. If there is no wood to install into, additional wall framing supports may be required.

- Connect vent system to hood. Seal all joints with clamps.
- If your installation uses the optional duct cover, fit the cover flanges over the brackets. If installation uses the chimney extension, fit the extension over the brackets. Install the upper section first, then fit the lower section over the upper section. Seal extension to hood with clamps.

Make Electrical Connection

⚠️ WARNING

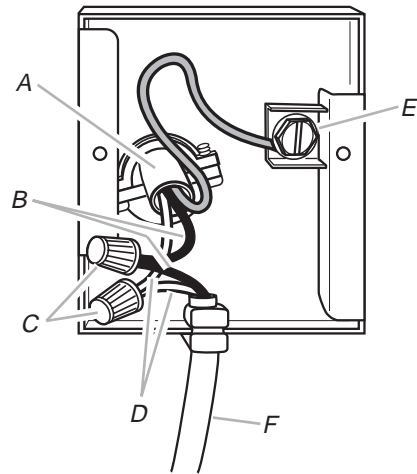


Electrical Shock Hazard

Disconnect power before servicing.
Replace all parts and panels before operating.
Failure to do so can result in death or electrical shock.

- Disconnect power.
- Remove terminal box cover.
- Remove the knockout in the terminal box and install a UL listed or CSA approved 1/2" strain relief.

- Run 3 wires, black, white, green or bare, through strain relief into terminal box. Use caulking to seal openings.



A. Home power supply cable
 B. Black wires
 C. UL listed wire connectors
 D. White wires
 E. Green (or bare) ground wire from home power supply connected to green ground screw
 F. Range hood power supply cable

- Use UL listed wire connectors and connect black wires (B) together.
- Use UL listed wire connectors and connect white wires (D) together.
- If optional heat lamp kit is used, connect black wires from heat lamp with black wires from home power with UL listed wire connectors. Connect white wires from optional heat lamp kit to home power with UL listed wire connectors.

⚠️ WARNING



Fire Hazard

Electrically ground the blower.
Use copper wire.
Connect ground wire to green ground screw in terminal box.
Failure to do so can result in death, fire, or electrical shock.

- Connect green (or bare) ground wire from home power supply to the unused green ground screw (E) in the terminal box.
- Tighten strain relief screws.
- Install terminal box cover.
- Check that all light bulbs are secure in their sockets.
- Reconnect power.

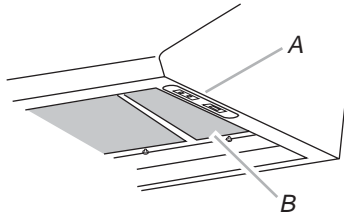
Install Grease Filters

NOTE: Use 2 hands to install filter, one to pull and turn the knob, the other to hold the filter in place so that it doesn't fall.

1. Insert back edge of filter into rear channel of the filter opening.
2. Pull out on knob and turn counterclockwise, position front edge into place and release knob.
3. Repeat for remaining filters.

Check Operation

1. Check operation of the range hood by turning on the power.
2. The range hood controls are located on the right-hand underside of the range hood.



A. Controls
B. Filters

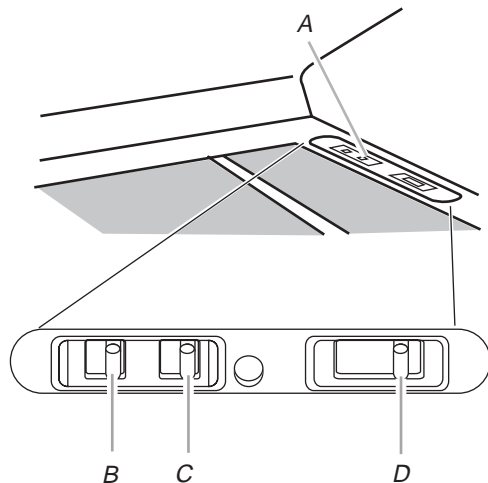
3. Move the light switch to "1" position. The lights should turn on.
4. Move blower switch to "1" position. The blower should operate.
5. Move the blower speed switch to "1" position for low speed, "2" position for medium speed or "3" position for high speed.
6. Move blower and light switches to "0" position to turn blower and light off.
7. If range hood does not operate, check to see whether a circuit breaker has tripped or a household fuse has blown. Disconnect power supply and check that the wiring is correct.

NOTE: To get the most efficient use from your new range hood, read the "Range Hood Use" section.

RANGE HOOD USE

The range hood is designed to remove smoke, cooking vapors and odors from the cooktop area. For best results, start the hood before cooking and allow it to operate several minutes after the cooking is complete to clear all smoke and odors from the kitchen.

The hood controls are located on the right-hand underside of the range hood.



A. Controls
B. Light switch
C. Blower switch
D. Blower speed switch

2. Move the light switch to the "0" position to turn range hood light OFF.

Operating the blower

1. Move the blower switch to the "1" position to turn the blower ON. The blower will begin operating at the speed set on the blower speed switch.
2. Move the blower switch to the "0" position to turn the blower OFF.

Adjusting the blower

The blower has 3 speed controls. Move the blower speed switch to "1" position for low speed, "2" position for medium speed or "3" position for high speed.

Operating the heat lamp (optional accessory)

1. Install heat lamp bulbs (not included) into heat lamp sockets.

NOTE: Heat lamp bulbs should be rated to a maximum of 250 watts each.

⚠ WARNING

Food Poisoning Hazard

Do not let food sit for more than one hour before or after cooking.

Doing so can result in food poisoning or sickness.

Range Hood Controls

Operating the light

1. Move the light switch to the "1" position to turn range hood light ON.

2. To turn on a light, move the switch in the heat lamp panel closest to the desired light into the "1" position. Move the switch into the "0" position to turn off the light. Repeat with the other light.

RANGE HOOD CARE

Range Hood Lamps

Replacing a Halogen Lamp

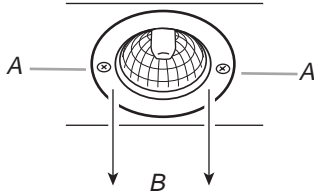
This hood uses 12-volt, 20-watt halogen lamps.

Turn off the range hood and allow the halogen lamps to cool.

To avoid damage or decreasing the life of the new bulb, do not touch bulb with bare fingers. Replace bulb using tissue or wearing cotton gloves to handle bulb.

To Replace:

1. Disconnect power.
2. Remove 2 screws from the circular metal trim around the lamp assembly.
3. Pull the trim and lamp assembly down far enough so that the lamp can be pulled out of the socket clips.



A. Remove 2 screws.

B. Pull trim with lamp assembly down.

4. Insert the new lamp into the socket clips and push the lamp assembly back up into the hood.
5. Replace the screws.
6. Reconnect the power.

Cleaning

Exterior surfaces:

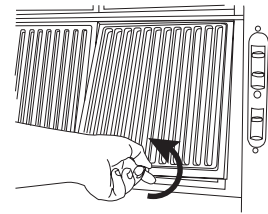
To avoid damage to the exterior surface, do not use steel wool or soap-filled scouring pads. Rub in direction of the grain line to avoid scratching the surface.

Always wipe dry to avoid water marks.

- Stainless Steel Cleaner and Polish.
- Mild liquid detergent and water.
- Wipe with damp soft cloth or nonabrasive sponge, then rinse with clean water and wipe dry.

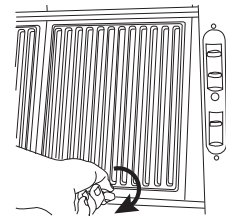
Metal Filters:

For vented installations, use 2 hands to remove filters. Turn the knob to the left (counterclockwise) to release filter. Repeat with other filter.



Wash metal filters as needed in dishwasher or hot detergent solution to clean.

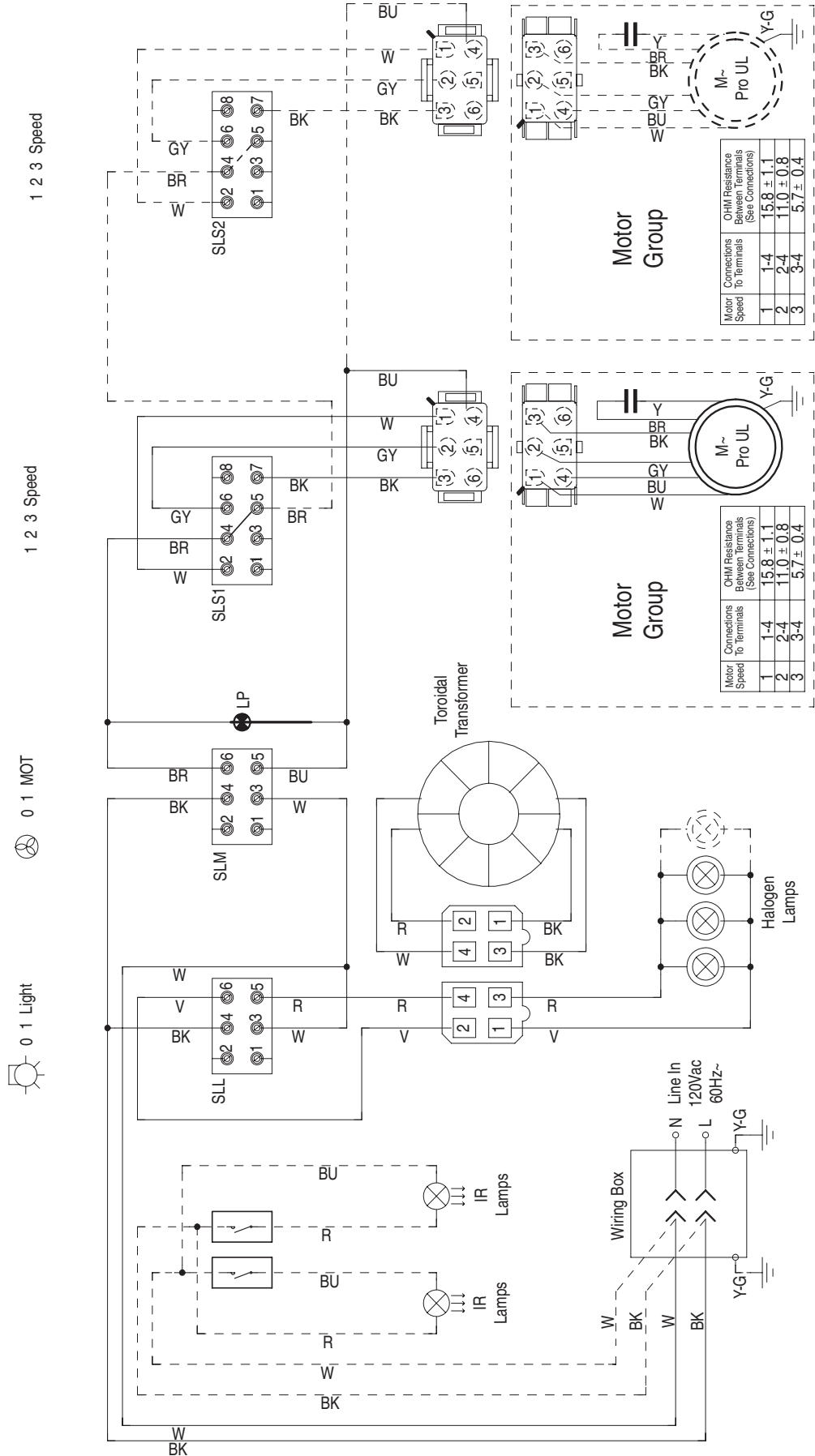
Reinstall the filter by placing the back edge in the channel at rear of hood. Push filter into place, turn the knob to the right (clockwise) to attach to range hood. Repeat with other filter.



Thermal Protector

The range hood is equipped with a thermal protector to avoid overheating conditions. If the range hood shuts off while in use, move the blower slider switch to the 0 position to turn off the range hood. Wait approximately 60 minutes, then move the blower slider switch to the 1 position to restart the range hood.

WIRING DIAGRAM



ASSISTANCE OR SERVICE

When calling for assistance or service, please know the purchase date and the complete model and serial number of your appliance. This information will help us to better respond to your request.

If you need replacement parts

If you need to order replacement parts, we recommend that you use only factory specified parts. Factory specified parts will fit right and work right because they are made with the same precision used to build every new appliance. To locate factory specified replacement parts in your area, call us or your nearest designated service center.

In the U.S.A.

Call the KitchenAid Customer eXperience Center toll free: **1-800-422-1230**.

Our consultants provide assistance with:

- Features and specifications on our full line of appliances.
- Installation information.
- Use and maintenance procedures.
- Accessory and repair parts sales.
- Specialized customer assistance (Spanish speaking, hearing impaired, limited vision, etc.).
- Referrals to local dealers, repair parts distributors and service companies. KitchenAid designated service technicians are trained to fulfill the product warranty and provide after-warranty service, anywhere in the United States.

To locate the KitchenAid designated service company in your area, you can also look in your telephone directory Yellow Pages.

For further assistance

If you need further assistance, you can write to KitchenAid with any questions or concerns at:

KitchenAid Brand Home Appliances
Customer eXperience Center
553 Benson Road
Benton Harbor, MI 49022-2692

Please include a daytime phone number in your correspondence.

In Canada

Call the KitchenAid Canada Customer eXperience Centre toll free: **1-800-807-6777**.

Our consultants provide assistance with:

- Features and specifications on our full line of appliances.
- Use and maintenance procedures.
- Accessory and repair parts sales.
- Referrals to local dealers, repair parts distributors and service companies. KitchenAid Canada designated service technicians are trained to fulfill the product warranty and provide after-warranty service, anywhere in Canada.

For further assistance

If you need further assistance, you can write to KitchenAid Canada with any questions or concerns at:

Customer eXperience Centre
KitchenAid Canada
200 - 6750 Century Ave.
Mississauga, Ontario L5N 0B7

Please include a daytime phone number in your correspondence.

Accessories

Full-Width Duct Cover

Order Part Number 8285149 for 30" (76.2 cm) model
Order Part Number 8284753 for 36" (91.4 cm) model
Order Part Number 8284828 for 42" (106.7cm) model
Order Part Number 8284752 for 48" (121.9 cm) model

Telescopic Chimney Kit

Order Part Number W10254092

Air Duct Transition Kit

Order Part Number 4396915 for 48" (121.9 cm) model

Heat Lamp Kit

Order Part Number W10238212 for 30" (76.2 cm) model
Order Part Number W10238211 for 36" (91.4 cm) model
Order Part Number W10238211 for 42" (106.7cm) model
Order Part Number W10238209 for 48" (121.9 cm) model

Backsplash Kit (with heat lamp)

Order Part Number W10225950 for 30" (76.2 cm) model
Order Part Number W10225949 for 36" (91.4 cm) model
Order Part Number W10225949 for 42" (106.7cm) model
Order Part Number W10225948 for 48" (121.9 cm) model

Backsplash Kit (without heat lamp)

Order Part Number 8285148 for 30" (76.2 cm) model
Order Part Number 8284756 for 36" (91.4 cm) model
Order Part Number 8284827 for 42" (106.7cm) model
Order Part Number 8284755 for 48" (121.9 cm) model

KITCHENAID® VENTILATION WARRANTY

LIMITED WARRANTY

For one year from the date of purchase, when this major appliance is operated and maintained according to instructions attached to or furnished with the product, KitchenAid brand of Whirlpool Corporation or Whirlpool Canada LP (hereafter "KitchenAid") will pay for Factory Specified Parts and repair labor to correct defects in materials or workmanship. Service must be provided by a KitchenAid designated service company. This limited warranty is valid only in the United States or Canada and applies only when the major appliance is used in the country in which it was purchased. Outside the 50 United States and Canada, this limited warranty does not apply. Proof of original purchase date is required to obtain service under this limited warranty.

ITEMS EXCLUDED FROM WARRANTY

This limited warranty does not cover:

1. Service calls to correct the installation of your major appliance, to instruct you on how to use your major appliance, to replace or repair house fuses, or to correct house wiring or plumbing.
2. Service calls to repair or replace appliance light bulbs, air filters or water filters. Consumable parts are excluded from warranty coverage.
3. Repairs when your major appliance is used for other than normal, single-family household use or when it is used in a manner that is contrary to published user or operator instructions and/or installation instructions.
4. Damage resulting from accident, alteration, misuse, abuse, fire, flood, acts of God, improper installation, installation not in accordance with electrical or plumbing codes, or use of consumables or cleaning products not approved by KitchenAid.
5. Cosmetic damage, including scratches, dents, chips or other damage to the finish of your major appliance, unless such damage results from defects in materials or workmanship and is reported to KitchenAid within 30 days from the date of purchase.
6. Costs associated with the removal from your home of your major appliance for repairs. This major appliance is designed to be repaired in the home and only in-home service is covered by this warranty.
7. Repairs to parts or systems resulting from unauthorized modifications made to the appliance.
8. Expenses for travel and transportation for product service if your major appliance is located in a remote area where service by an authorized KitchenAid servicer is not available.
9. The removal and reinstallation of your major appliance if it is installed in an inaccessible location or is not installed in accordance with published installation instructions.
10. Major appliances with original model/serial numbers that have been removed, altered or cannot be easily determined. This warranty is void if the factory applied serial number has been altered or removed from your major appliance.

The cost of repair or replacement under these excluded circumstances shall be borne by the customer.

DISCLAIMER OF IMPLIED WARRANTIES; LIMITATION OF REMEDIES

CUSTOMER'S SOLE AND EXCLUSIVE REMEDY UNDER THIS LIMITED WARRANTY SHALL BE PRODUCT REPAIR AS PROVIDED HEREIN. IMPLIED WARRANTIES, INCLUDING WARRANTIES OF MERCHANTABILITY OR FITNESS FOR A PARTICULAR PURPOSE, ARE LIMITED TO ONE YEAR OR THE SHORTEST PERIOD ALLOWED BY LAW. KITCHENAID SHALL NOT BE LIABLE FOR INCIDENTAL OR CONSEQUENTIAL DAMAGES. SOME STATES AND PROVINCES DO NOT ALLOW THE EXCLUSION OR LIMITATION OF INCIDENTAL OR CONSEQUENTIAL DAMAGES, OR LIMITATIONS ON THE DURATION OF IMPLIED WARRANTIES OF MERCHANTABILITY OR FITNESS, SO THESE EXCLUSIONS OR LIMITATIONS MAY NOT APPLY TO YOU. THIS WARRANTY GIVES YOU SPECIFIC LEGAL RIGHTS, AND YOU MAY ALSO HAVE OTHER RIGHTS WHICH VARY FROM STATE TO STATE OR PROVINCE TO PROVINCE.

If outside the 50 United States and Canada, contact your authorized KitchenAid dealer to determine if another warranty applies.

If you need service, first see the "Troubleshooting" section of the Use & Care Guide. After checking "Troubleshooting," you may find additional help by checking the "Assistance or Service" section or by calling KitchenAid. In the U.S.A., call **1-800-422-1230**. In Canada, call **1-800-807-6777**.

9/07

Keep this book and your sales slip together for future reference. You must provide proof of purchase or installation date for in-warranty service.

Write down the following information about your major appliance to better help you obtain assistance or service if you ever need it. You will need to know your complete model number and serial number. You can find this information on the model and serial number label located on the product.

Dealer name _____

Address _____

Phone number _____

Model number _____

Serial number _____

Purchase date _____

SÉCURITÉ DE LA HOTTE DE CUISINIÈRE

Votre sécurité et celle des autres est très importante.

Nous donnons de nombreux messages de sécurité importants dans ce manuel et sur votre appareil ménager. Assurez-vous de toujours lire tous les messages de sécurité et de vous y conformer.



Voici le symbole d'alerte de sécurité.

Ce symbole d'alerte de sécurité vous signale les dangers potentiels de décès et de blessures graves à vous et à d'autres.

Tous les messages de sécurité suivront le symbole d'alerte de sécurité et le mot "DANGER" ou "AVERTISSEMENT". Ces mots signifient :

 **DANGER**

Risque possible de décès ou de blessure grave si vous ne suivez pas immédiatement les instructions.

 **AVERTISSEMENT**

Risque possible de décès ou de blessure grave si vous ne suivez pas les instructions.

Tous les messages de sécurité vous diront quel est le danger potentiel et vous disent comment réduire le risque de blessure et ce qui peut se produire en cas de non-respect des instructions.

IMPORTANTES INSTRUCTIONS DE SÉCURITÉ

AVERTISSEMENT : POUR RÉDUIRE LE RISQUE D'INCENDIE, CHOC ÉLECTRIQUE OU DOMMAGES CORPORELS, RESPECTER LES INSTRUCTIONS SUIVANTES :

- Utiliser cet appareil uniquement dans les applications envisagées par le fabricant. Pour toute question, contacter le fabricant.
- Avant d'entreprendre un travail d'entretien ou de nettoyage, interrompre l'alimentation de la hotte au niveau du tableau de disjoncteurs, et verrouiller le tableau de disjoncteurs pour empêcher tout rétablissement accidentel de l'alimentation du circuit. Lorsqu'il n'est pas possible de verrouiller le tableau de disjoncteurs, placer sur le tableau de disjoncteurs une étiquette d'avertissement proéminente interdisant le rétablissement de l'alimentation.
- Tout travail d'installation ou câblage électrique doit être réalisé par une personne qualifiée, dans le respect des prescriptions de tous les codes et normes applicables, y compris les codes du bâtiment et de protection contre les incendies.
- Ne pas faire fonctionner un ventilateur dont le cordon ou la fiche est endommagé(e). Jeter le ventilateur ou le retourner à un centre de service agréé pour examen et/ou réparation.
- Une source d'air de débit suffisant est nécessaire pour le fonctionnement correct de tout appareil à gaz (combustion et évacuation des gaz à combustion par la cheminée), pour qu'il n'y ait pas de reflux des gaz de combustion. Respecter les directives du fabricant de l'équipement de chauffage et les prescriptions des normes de sécurité - comme celles publiées par la National Fire Protection Association (NFPA) et l'American Society for Heating, Refrigeration and Air Conditioning Engineers (ASHRAE), et les prescriptions des autorités réglementaires locales.
- Lors d'opérations de découpage et de perçage dans un mur ou un plafond, veiller à ne pas endommager les câblages électriques ou canalisations qui peuvent s'y trouver.
- Les ventilateurs d'évacuation doivent toujours décharger l'air à l'extérieur.

MISE EN GARDE : Cet appareil est conçu uniquement pour la ventilation générale. Ne pas l'utiliser pour l'extraction de matières ou vapeurs dangereuses ou explosives.

MISE EN GARDE : Pour minimiser le risque d'incendie et évacuer adéquatement les gaz, veiller à acheminer l'air aspiré par un conduit jusqu'à l'extérieur - ne pas décharger l'air aspiré dans un espace vide du bâtiment comme une cavité murale, un plafond, un grenier, un vide sanitaire ou un garage.

AVERTISSEMENT : POUR RÉDUIRE LE RISQUE D'INCENDIE, UTILISER UNIQUEMENT DES CONDUITS MÉTALLIQUES.

AVERTISSEMENT : POUR MINIMISER LE RISQUE D'UN FEU DE GRAISSE SUR LA CUISINIÈRE :

- Ne jamais laisser un élément de surface fonctionner à puissance de chauffage maximale sans surveillance. Un renversement/débordement de matière grasseuse pourrait provoquer une inflammation et la génération de fumée. Utiliser une puissance de chauffage moyenne ou basse pour le chauffage d'huile.
- Veiller à toujours faire fonctionner le ventilateur de la hotte lors de la cuisson avec une puissance de chauffage élevée ou lors de la cuisson d'un mets à flamber (à savoir crêpes Suzette, cerise jubilee, steak au poivre flambé).
- Nettoyer fréquemment les ventilateurs d'extraction. Veiller à ne pas laisser la graisse s'accumuler sur les surfaces du ventilateur ou des filtres.
- Utiliser toujours un ustensile de taille appropriée. Utiliser toujours un ustensile adapté à la taille de l'élément chauffant.

AVERTISSEMENT : POUR RÉDUIRE LE RISQUE DE DOMMAGES CORPORELS APRÈS LE DÉCLENCHEMENT D'UN FEU DE GRAISSE SUR LA CUISINIÈRE, APPLIQUER LES RECOMMANDATIONS SUIVANTES :^a

- Placer sur le récipient un couvercle bien ajusté, une tôle à biscuits ou un plateau métallique **POUR ÉTOUFFER LES FLAMMES**, puis éteindre le brûleur. **VEILLER À ÉVITER LES BRÛLURES**. Si les flammes ne s'éteignent pas immédiatement, **ÉVACUER LA PIÈCE ET APPELER LES POMPIERS**.
- **NE JAMAIS PRENDRE EN MAIN UN RÉCIPENT ENFLAMMÉ** - vous risquez de vous brûler.
- **NE PAS UTILISER D'EAU**, ni un torchon humide - ceci pourrait provoquer une explosion de vapeur brûlante.
- Utiliser un extincteur **SEULEMENT** si :
 - Il s'agit d'un extincteur de classe ABC, dont on connaît le fonctionnement.
 - Il s'agit d'un petit feu encore limité à l'endroit où il s'est déclaré.
 - Les pompiers ont été contactés.
 - Il est possible de garder le dos orienté vers une sortie pendant l'opération de lutte contre le feu.

^aRecommandations tirées des conseils de sécurité en cas d'incendie de cuisine publiés par la NFPA.

- **AVERTISSEMENT** : Pour réduire le risque d'incendie ou de choc électrique, ne pas utiliser ce ventilateur avec un quelconque dispositif de réglage de la vitesse à semi-conducteurs.

LIRE ET CONSERVER CES INSTRUCTIONS

EXIGENCES D'INSTALLATION

Outillage et pièces

Rassembler les outils et pièces nécessaires avant de commencer l'installation. Lire et suivre les instructions fournies avec les outils indiqués ici.

Outils nécessaires

- Niveau
- Perceuse
- Foret de 1¼" (3 cm)
- Foret de ⅛" (3 mm) en cas d'installation dans du bois et foret de ⅝" (8 mm) en cas d'installation de l'ensemble de dossier facultatif.
- Crayon
- Pince à dénuder ou couteau utilitaire
- Mètre-ruban ou règle
- Pince
- Pistolet à calfeutrage et composé de calfeutrage résistant aux intempéries
- Brides de serrage pour conduit d'évacuation
- Scie sauteuse ou scie à guichet
- Tournevis à lame plate
- Cisaille de ferblantier
- Tournevis Phillips
- Ciseaux

Pièces nécessaires

- Câble d'alimentation électrique du domicile
- 1 serre-câble de ½" (12,7 mm) (homologation UL ou CSA)
- 2 connecteurs de fils homologués UL
- 1 bouche de décharge (décharge à travers le mur ou à travers le toit)
- Conduit d'évacuation métallique

Pièces fournies

Retirer les pièces des emballages. Vérifier que toutes les pièces sont présentes.

- 2 filtres à graisse métalliques, pour modèle de 30" (76,2 cm)
- 3 filtres à graisse métalliques, pour modèle de 36" (91,4 cm)
- 3 filtres à graisse métalliques, pour modèle de 42" (106,7 cm)
- 4 filtres à graisse métalliques, pour modèle de 48" (121,9 cm)
- 2 brides de montage avec vis de réglages installées
- 2 vis de bride de montage
- 4 vis à rondelle Phillips
- Clapet
- 2 clapets pour modèle de 48" (121,9 cm)

Exigences d'emplacement

IMPORTANT : Observer les dispositions de tous les codes et règlements en vigueur.

Confier l'installation de la hotte à un technicien qualifié. C'est à l'installateur qu'incombe la responsabilité de respecter les distances de séparation spécifiées sur la plaque signalétique de l'appareil. La plaque signalétique est située à l'intérieur de la hotte, sur la paroi arrière.

On doit toujours installer la hotte à distance des sources de courant d'air (fenêtres, portes et bouches de chauffage).

Respecter les dimensions indiquées pour les ouvertures à découper dans les placards. Ces dimensions tiennent compte des valeurs minimales des dégagements de séparation.

Cette hotte a été configurée à l'usine pour une décharge à travers le toit ou à travers le mur.

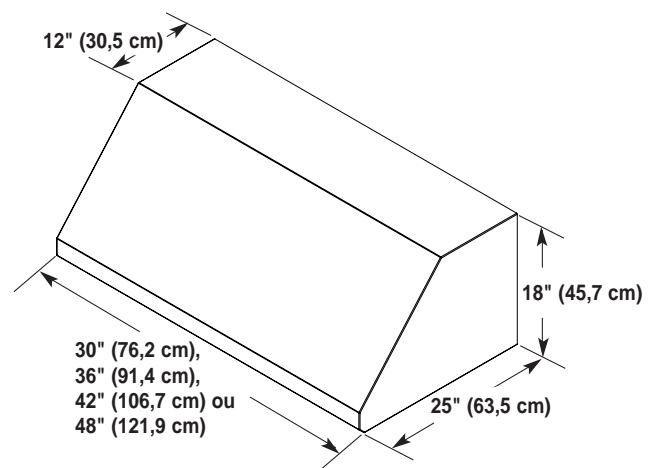
Assurer l'étanchéité au niveau de chaque ouverture découpée dans le plafond ou le mur pour l'installation de la hotte de cuisinière.

Installation dans une résidence mobile

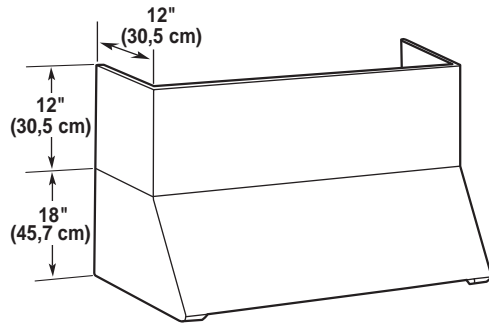
L'installation de cette hotte doit satisfaire aux exigences de la norme Manufactured Home Construction Safety Standards, Titre 24 CFR, partie 328 (anciennement Federal Standard for Mobile Home Construction and Safety, titre 24, HUD, partie 280); lorsque cette norme n'est pas applicable, l'installation doit satisfaire aux critères de la plus récente édition de la norme Manufactured Home Installation 1982 (Manufactured Home Sites, Communities and Setups) ANSI A225.1/NFPA 501A*, ou des codes et règlements locaux.

Dimensions du produit

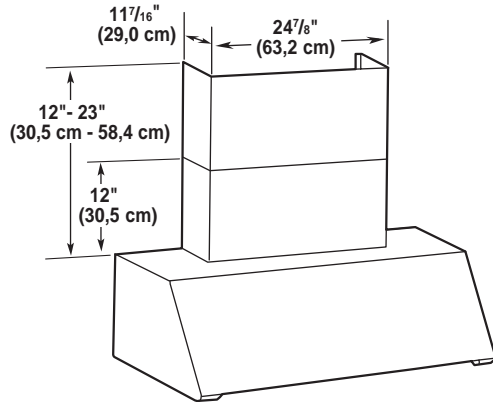
Installations avec décharge à l'extérieur



Installations alternatives avec cache-conduit pleine largeur

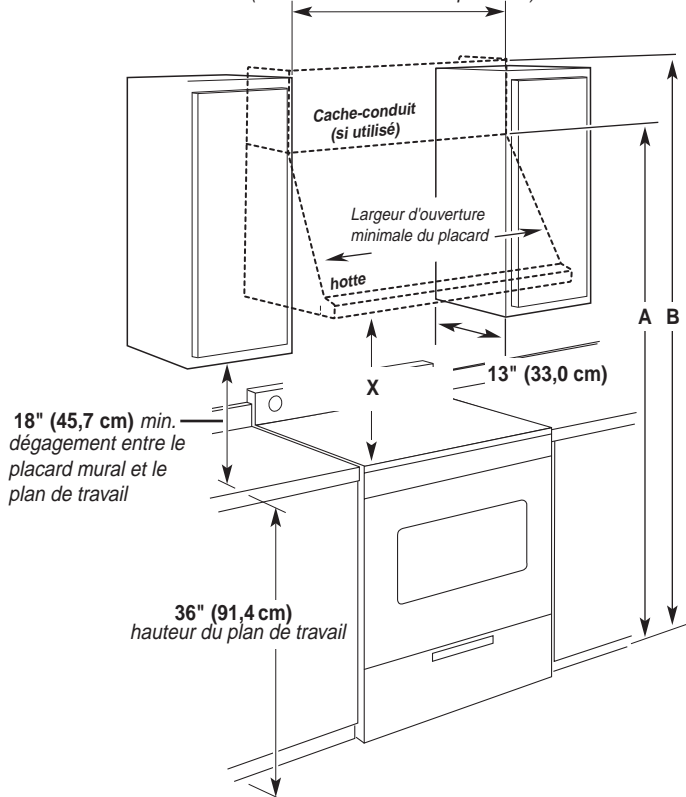


Installations alternatives d'ensemble de cheminée télescopique



Dimensions d'installation

30" (76,2 cm), 36" (91,4 cm),
42" (106,7 cm) ou 48" (121,9 cm)
largeur de l'ouverture du placard
(si installation entre des placards)



A. 84" (213,4 cm) minimum pour les installations avec hotte uniquement.

B. 96" (243,8 cm) minimum pour les installations avec cache-conduit facultatif ou ensemble de cheminée télescopique.

IMPORTANT :

Valeur minimale de la distance "X" : 30" (76,2 cm)
Valeur maximale suggérée pour la distance "X" : 36" (91,4 cm)

Exigences concernant l'évacuation

- Le système d'évacuation doit décharger l'air à l'extérieur.
- Ne pas terminer le système d'évacuation dans un grenier ou dans un autre espace fermé.
- Ne pas utiliser une bouche de décharge murale de 4" (10,2 cm) normalement utilisée pour un équipement de buanderie.
- Utiliser un conduit métallique uniquement. Un conduit en métal rigide est recommandé. Ne pas utiliser un conduit de plastique ou en feuille métallique.
- La longueur du système d'évacuation et le nombre de coudes doit être réduit au minimum pour fournir la meilleure performance.

Pour un fonctionnement efficace et silencieux :

- Ne pas utiliser plus de trois coudes à 90°.
- Veiller à ce qu'il y ait une section droite de conduit de 24" (61,0 cm) ou plus entre deux coudes, si on doit utiliser plus d'un raccord coudé.
- Ne pas installer 2 coudes ensemble.
- Au niveau de chaque jointure du système d'évacuation, assurer l'étanchéité avec les brides de serrage pour conduit.
- Le système d'évacuation doit comporter un clapet. Si la bouche de décharge murale ou par le toit comporte un clapet, ne pas utiliser le clapet fourni avec la hotte de cuisinière.
- Autour de la bouche de décharge à l'extérieur (par le mur ou par le toit), assurer l'étanchéité avec un produit de calfeutrage.
- La taille du conduit doit être uniforme.

Installations pour régions à climat froid

On doit installer un clapet anti-reflux additionnel à l'arrière pour minimiser le reflux d'air froid, et incorporer un élément d'isolation thermique pour minimiser la conduction de chaleur par l'intermédiaire du système d'évacuation. Le clapet anti-reflux doit être placé du côté air froid par rapport à l'élément d'isolation thermique.

L'élément d'isolation thermique doit être aussi proche que possible de l'endroit où le système d'évacuation s'introduit dans la partie chauffée de la maison.

Air d'appoint

Les codes de bâtiment locaux peuvent exiger l'emploi d'un système d'appoint d'air lors de l'emploi d'un ventilateur d'extraction dont la capacité d'aspiration est supérieure à un débit (pieds cubes par minute) spécifié. Le débit spécifié, en pieds cubes par minute, est variable d'une juridiction à une autre. Consulter un professionnel des installations de chauffage ventilation/climatisation au sujet des exigences spécifiques applicables dans la juridiction locale.

Méthodes d'évacuation

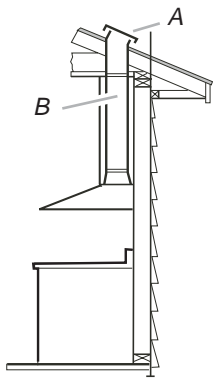
Un circuit d'évacuation de conduits ronds de 6" (15,2 cm) est nécessaire pour l'installation (non fourni). La hotte comporte une ouverture de sortie de diamètre 6" (15,2 cm). Deux circuits d'évacuation ronds de 6" (15,2 cm) sont nécessaires pour une installation sur des modèles de 48" (121,9 cm).

REMARQUE : On déconseille l'emploi d'un conduit flexible. Un conduit flexible peut causer une rétro-pression et des turbulences de l'air, ce qui réduit considérablement la performance.

La sortie à l'extérieur du circuit d'évacuation peut se faire à travers le toit ou à travers un mur. Pour la sortie à travers un mur, le ventilateur doit être réorienté.

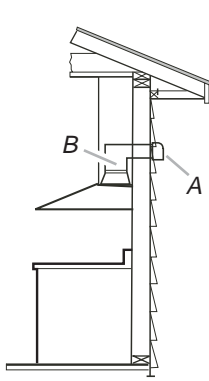
Pour une évacuation à travers le mur, le ventilateur doit être modifié pour être bien orienté.

Décharge à travers le toit



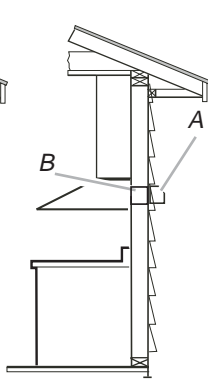
A. Bouche de décharge sur toit
B. Conduit rond dia. 6" (15,2 cm)*

Décharge à travers le mur



A. Bouche de décharge sur toit
B. Conduit rond dia. 6" (15,2 cm)*

Décharge par l'arrière



A. Bouche de décharge sur toit
B. Conduit rond dia. 6" (15,2 cm)*

*La hotte de 48" (121,9 cm) utilise deux conduits ronds de 6" (15,2 cm) ou des raccords de transition ronds de 10" (25,4 cm); utiliser la pièce numéro 4396915.

Calcul de la longueur effective du circuit d'évacuation

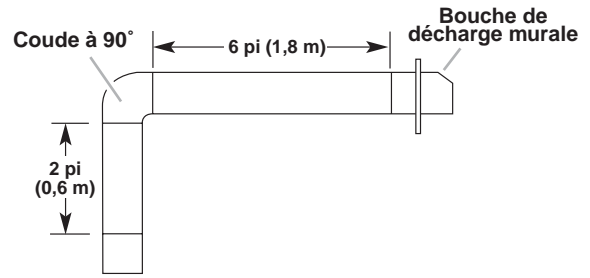
Pour calculer la longueur effective du circuit d'évacuation nécessaire, additionner les longueurs équivalentes (pieds/mètres) de tous les composants utilisés dans le système.

Composant	Longueur équivalente	
Coude à 45°	2,5 pi (0,8 m)	
Coude à 90°	5 pi (1,5 m)	

Les longueurs équivalentes maximales sont :

Conduit rond de 6" (15,2 cm) - 35 pi (10,7 m)
Conduit rond de 7" (17,8 cm) - 40 pi (12,2 m)
Conduit rond de 8" (20,3 cm) - 50 pi (15,2 m)
Conduits ronds de 9" (22,9 cm) et de 10" (25,4 cm) - 60 pi (18,3 m)

Exemple de système de décharge



L'exemple suivant indique la longueur de conduit recommandée maximum.

1 coude à 90°	= 5 pi (1,5 m)
1 bouche de décharge murale	= 0 pi (0 m)
Section droite de 8 pi (2,4 m)	= 8 pi (2,4 m)
Longueur du système	= 13 pi (3,9 m)

Spécifications électriques

Observer les dispositions de tous les codes et règlements en vigueur.

Vérifier que l'installation électrique a été correctement effectuée et qu'elle est conforme aux spécifications de la plus récente édition des normes National Electrical Code, ANSI/NFPA 70, ou de la norme CSA C22.1-94, Code canadien de l'électricité, partie 1 et C22.2 N° 0-M91 (dernière édition) et de tous les codes et règlements en vigueur locaux.

Si les codes le permettent et si on utilise un conducteur distinct de liaison à la terre, il est recommandé qu'un électricien qualifié vérifie la qualité de la liaison à la terre.

Pour obtenir un exemplaire de la norme des codes ci-dessus, contacter :

National Fire Protection Association
One Batterymarch Park
Quincy, MA 02269
CSA International
8501 East Pleasant Valley Road
Cleveland, OH 44131-5575

- L'appareil doit être alimenté par un circuit de 120 V, CA seulement, 60 Hz, 15 A, protégé par fusible.
 - Si le domicile est équipé d'un câblage en aluminium, suivre les instructions suivantes :
 1. Connecter une section de câble en cuivre massif aux conducteurs en queue de cochon.
 2. Connecter le câblage en aluminium à la section ajoutée de câblage en cuivre en utilisant des connecteurs et/ou des outils spécialement conçus et homologués UL pour fixer le cuivre à l'aluminium.
- Appliquer la procédure recommandée par le fabricant des connecteurs. La connexion aluminium/cuivre doit être conforme aux codes locaux et aux pratiques de câblage acceptées par l'industrie.
- Le calibre des conducteurs et les connexions doivent être compatibles avec la demande de courant de l'appareil spécifiée sur la plaque signalétique. La plaque signalétique de l'appareil est située derrière le filtre, sur la paroi arrière de la hotte.
 - Le calibre des conducteurs doit satisfaire aux exigences de la plus récente édition de la norme National Electrical Code, ANSI/NFPA 70, ou de la norme CSA C22.1-94, Code canadien de l'électricité, partie 1 et C22.2 n° 0-M91 (dernière édition) et de tous les codes et règlements en vigueur.

INSTRUCTIONS D'INSTALLATION

Préparation de l'emplacement

- Il est recommandé d'installer le système d'évacuation avant de procéder à l'installation de la hotte.
 - Avant d'exécuter les découpages, vérifier la disponibilité d'un dégagement suffisant dans le plafond ou le mur pour le conduit d'évacuation.
 - Vérifier que les pièces d'installation ont été retirées du carton d'expédition.
1. Déconnecter la source de courant électrique.
 2. Déterminer la méthode d'évacuation à utiliser : par le toit, le mur ou évacuation par l'arrière.
 3. Sélectionner une surface plane pour l'assemblage de la hotte. Placer le matériau de protection sur cette surface.

⚠ AVERTISSEMENT

Risque du poids excessif

Utiliser deux ou plus de personnes pour déplacer et installer la hotte de la cuisinière.

Le non-respect de cette instruction peut causer une blessure au dos ou d'autre blessure.

4. À l'aide de deux personnes ou plus, soulever la hotte et la poser sur la surface couverte.

Installation facultative avec dossier

Les instructions suivantes correspondent à un dossier sans tablette. Si l'on installe un dossier avec des tablettes pour les lampes à rayons infrarouges, suivre les instructions fournies avec ce produit-là.

Le matériel de montage fourni avec l'ensemble comprend 4 chevilles d'ancrage mural en plastique et 4 vis de montage.

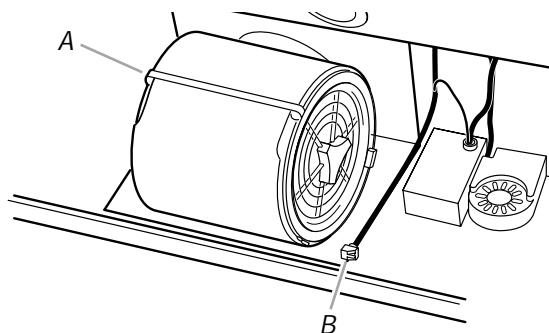
REMARQUE : La hauteur minimale de la hotte au-dessus de la table de cuisson est de 30" (76,2 cm). Le dossier peut être rallongé de 19²³/₃₂" (50,1 cm) à 39" (99,1 cm). Au fur et à mesure que la hauteur de l'installation de 30" (76,2 cm) augmente, la zone de fixation de la hotte diminue.

- Déterminer la hauteur de la hotte.
- À l'aide d'au moins 2 personnes, placer le dossier sur le mur de façon à ce que la partie supérieure du dossier se trouve à la hauteur de la rive inférieure de la hotte. Marquer l'emplacement des 4 trous d'angle. Il est recommandé que le dossier soit fixé au mur au niveau des 4 angles. Cependant, le rebord inférieur peut être fixé entre le mur et le dossier, le plan de travail ou la base du placard sans avoir à utiliser les vis de coin inférieur.
- Percer des trous de 5/16" (8 mm).
- Enfoncer complètement les chevilles d'ancrage en plastique dans les trous.
- Positionner les trous dans le dossier par-dessus les chevilles d'ancrage mural et le fixer à l'aide des vis fournies.

Modification de la hotte pour évacuation par l'arrière facultative

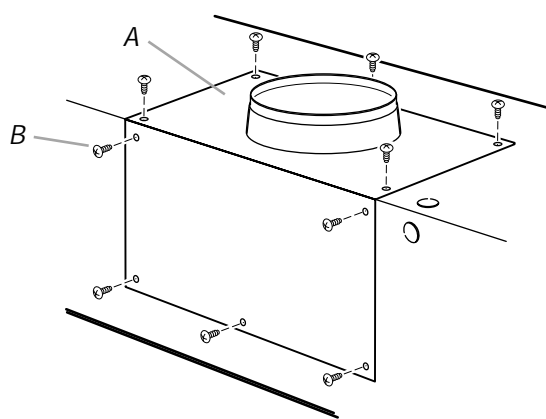
La hotte sort de l'usine avec le raccord de sortie situé sur la partie supérieure de la hotte. La bouche de décharge de la hotte peut être orientée pour une évacuation par l'arrière de la hotte, à travers le raccord de sortie. Si l'on souhaite une évacuation par l'arrière de la hotte, suivre la procédure suivante.

1. Depuis l'intérieur de la hotte, débrancher le conducteur fixé au moteur du ventilateur.



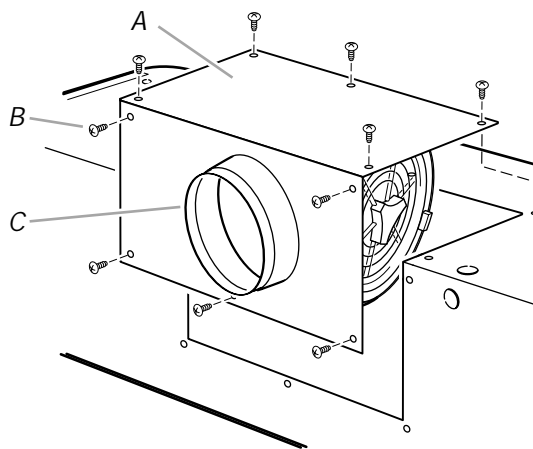
A. Moteur du ventilateur
B. Prise du moteur du ventilateur

2. Retourner la hotte et retirer les vis fixant le ventilateur d'évacuation à la hotte.



A. Moteur du ventilateur
B. Vis

3. Faire pivoter le ventilateur pour que le raccord de sortie se trouve face à l'arrière de la hotte.



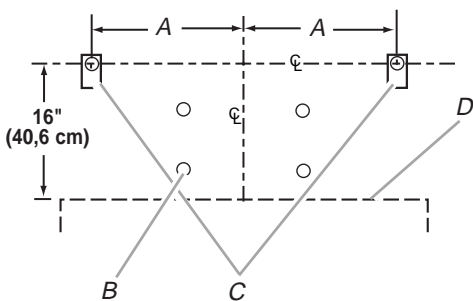
A. Ventilateur d'évacuation
B. Vis
C. Raccord de sortie

4. Réinstaller les vis fixant le ventilateur d'évacuation à la hotte.
5. Rebrancher le conducteur du moteur de ventilateur dans le moteur du ventilateur.

Installation des vis de montage de la hotte

La hotte se fixe au mur à l'aide de deux brides de montage, de vis de réglage et de quatre vis de montage.

1. Déterminer l'emplacement de l'axe central sur le mur à l'endroit où la hotte sera installée et le tracer.
2. Choisir une hauteur de montage comprise entre un minimum de 30" (76,2 cm) et un maximum suggéré de 36" (91,4 cm) au-dessus de la surface de cuisson et du bas de la hotte. À cette distance, ajouter 16" (40,6 cm) et tracer une ligne horizontale.
3. Marquer 2 points de chaque côté de la ligne horizontale à la distance indiquée au "A" ci-dessous (en fonction de la taille de la hotte).



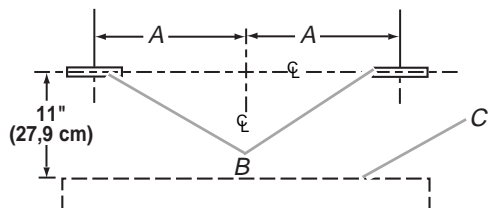
- A. Distance entre le centre de la bride de montage et l'axe central. Hotte de 30" (76,2 cm) : 13³/₈" (34,0 cm)
Hotte de 36" (91,4 cm) : 16³/₈" (41,6 cm)
Hotte de 42" (106,7 cm) : 19⁷/₁₆" (49,4 cm)
Hotte de 48" (121,9 cm) : 22³/₈" (56,8 cm)
- B. Vis de montage (4)
C. Brides de montage et vis de réglage
D. Partie inférieure de la hotte

4. Ajuster les deux vis de réglage sur les brides de montage au point le plus bas et fixer au mur à l'aide des vis fournies. Les vis fournies pour le montage de cette hotte doivent être fixées dans du bois massif. Ne pas fixer uniquement dans du placo-plâtre.

IMPORTANT : Toutes les vis doivent être fixées dans le bois. S'il n'y a pas de bois disponible, des systèmes d'ossature murale supplémentaires de support peuvent alors être requis.

Installation avec cache-conduit facultatif

1. Fixer le cache-conduit pleine largeur au sommet de la hotte à l'aide des vis fournies. Le cache-conduit doit être fixé au sommet de la hotte avant de fixer la hotte au mur. Pour des renseignements sur la commande du cache-conduit facultatif, voir la section "Accessoires".



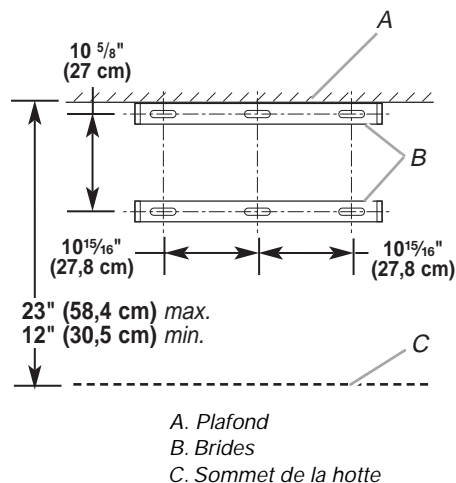
- A. Distance entre le centre de la bride de montage et l'axe central. Hotte de 30" (76,2 cm) : 13¹/₂" (34,2 cm)
Hotte de 36" (91,4 cm) : 16¹/₂" (41,8 cm)
Hotte de 42" (106,7 cm) : 19¹/₂" (49,4 cm)
Hotte de 48" (121,9 cm) : 22¹/₂" (57,1 cm)
- B. Brides de montage
C. Sommet de la hotte

2. Fixer chaque bride au mur tel qu'illustré. S'assurer que les vis et brides sont solidement fixées au mur.

IMPORTANT : N'installer que les brides. Ne pas installer la hotte.

Installation de l'extension de cheminée facultative

1. Si l'on utilise une extension de cheminée, fixer les brides d'extension tel qu'illustré. S'assurer que les vis sont solidement fixées au mur. Pour des renseignements sur la commande d'extensions de cheminée facultatives, voir la section "Accessoires".



- A. Plafond
B. Brides
C. Sommet de la hotte

Installation de la lampe à rayons infrarouges facultative

1. Ôter le panneau inférieur situé à l'arrière de la hotte en retirant les vis situées à chaque extrémité.
2. Installer l'ensemble de lampes à rayons infrarouges avec les onglets insérés dans les encoches correspondantes sur la hotte et les vis orientées vers l'avant de la hotte. Réinstaller les vis pour fixer l'ensemble.

Achever la préparation

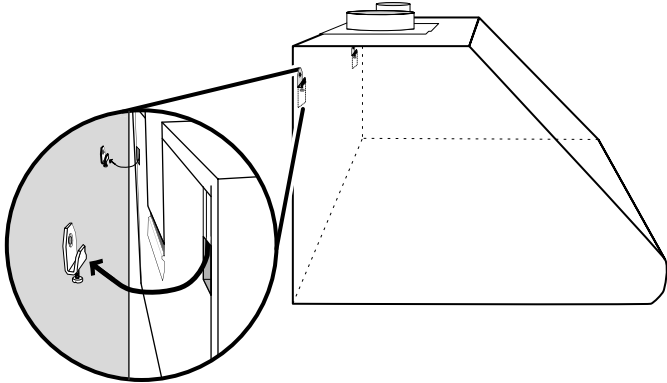
1. Déterminer et marquer toutes les lignes de découpage nécessaires sur le mur pour le passage du circuit d'évacuation. Installer le système d'évacuation avant la hotte. Voir la section "Exigences concernant l'évacuation".
2. Déterminer l'emplacement de passage du câble d'alimentation à travers le mur.
3. Percer un trou de 1/4" (3,2 cm) à cet emplacement.
4. Tirer suffisamment de câble d'alimentation à travers le mur pour permettre un raccordement facile jusqu'à la boîte de connexion.
5. Si la bouche de décharge murale ou sur toit ne comporte pas de clapet anti-reflux, installer le clapet anti-reflux sur l'ouverture/les ouvertures de sortie au sommet de la hotte à l'aide des deux vis Phillips.
6. Si la hotte de 48" (121,9 cm) doit être connectée au circuit d'évacuation circulaire de 10" (25,4 cm), installer le raccord de transition à cette étape-ci.

Installation de la hotte

La hotte se fixe au mur à l'aide des vis mentionnées dans la section "Préparation de l'emplacement".

1. À l'aide de 2 personnes ou plus, suspendre la hotte en appuyant sur les deux brides de montage et ajuster celles-ci à partir de l'intérieur de la hotte pour établir l'aplomb de la hotte.

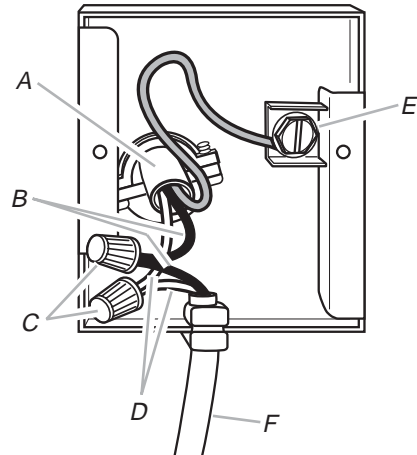
IMPORTANT : S'assurer que la hotte est bien fixée contre le mur.



2. Installer les vis de montage dans le mur jusqu'à ce que les têtes de vis soient bien serrées. Les vis fournies pour le montage de cette hotte doivent être fixées dans du bois massif. Ne pas fixer uniquement dans du placo-plâtre.

IMPORTANT : Toutes les vis doivent être fixées dans le bois. S'il n'y a pas de bois disponible, des systèmes d'ossature murale supplémentaires de support peuvent alors être requis.
3. Connecter le circuit d'évacuation à la hotte. Utiliser des brides de serrage pour sceller chaque connexion.
4. Si votre installation utilise le cache-conduit facultatif, placer les rebords du cache par-dessus les brides. Si l'installation utilise une extension de cheminée, placer l'extension par-dessus les brides. Installer d'abord la section supérieure, puis placer la section inférieure par-dessus la section supérieure. Fixer l'extension à la hotte à l'aide de brides de serrage.

4. Acheminer 3 conducteurs, noir, blanc, vert ou nu à travers le serre-câble jusqu'à l'intérieur de la boîte de connexion. Utiliser un calfeutrant pour assurer l'étanchéité au niveau des ouvertures découpées.



- A. Câble d'alimentation électrique du domicile
 B. Conducteurs noirs
 C. Connecteurs de fils (homologation UL)
 D. Connecteurs blancs
 E. Conducteur de liaison à la terre vert (ou nu) du câble d'alimentation électrique du domicile connecté à la vis verte de liaison à la terre.
 F. Câble d'alimentation électrique de la hotte

5. Connecter ensemble les conducteurs noirs (B) avec des connecteurs de fils (homologation UL).
6. Connecter ensemble les conducteurs blancs (D) avec des connecteurs de fils (homologation UL).
7. Si l'on utilise un ensemble de lampe à rayons infrarouges facultative, connecter les conducteurs noirs de la lampe à rayons infrarouges avec les conducteurs noirs de l'alimentation électrique du domicile à l'aide de connecteurs de fils (homologation UL). Connecter les conducteurs blancs de la lampe à rayons infrarouges facultative à l'alimentation électrique du domicile à l'aide de connecteurs de fils (homologation UL).

Raccordement électrique

⚠ AVERTISSEMENT



Risque de choc électrique

Déconnecter la source de courant électrique avant l'entretien.

Replacer pièces et panneaux avant de faire la remise en marche.

Le non-respect de ces instructions peut causer un décès ou un choc électrique.

1. Déconnecter la source de courant électrique.
2. Ôter le couvercle de la boîte de connexion.
3. Ôter l'opercule arrachable de la boîte de connexion et installer un serre-câble de 1/2" homologation UL ou CSA).

⚠ AVERTISSEMENT



Risque d'incendie

Relier le ventilateur à la terre.

Utiliser du fil en cuivre.

Brancher le fil relié à la terre à la vis verte reliée à la terre dans la boîte de la borne.

Le non-respect de ces instructions peut causer un décès, un incendie ou un choc électrique.

8. Connecter le conducteur de liaison à la terre (vert ou nu) du câble d'alimentation du domicile à la vis verte de liaison à la terre non utilisée (E) dans la boîte de connexion.
9. Serrer les vis du serre-câble.
10. Installer le couvercle de la boîte de connexion.
11. Inspecter chaque lampe; vérifier que chaque lampe est bien insérée dans sa douille.
12. Reconnecter la source de courant électrique.

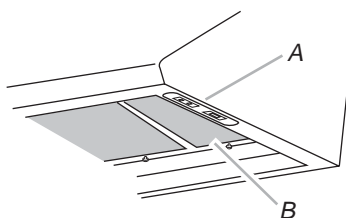
Installation des filtres à graisse

REMARQUE : Installer le filtre à 2 mains; avec une main, tirer et faire tourner le bouton et avec l'autre main, maintenir le filtre en place pour l'empêcher de tomber.

1. Insérer le bord arrière du filtre dans la rainure arrière de l'ouverture du filtre.
2. Tirer sur le bouton et le tourner dans le sens antihoraire, placer le bord avant et relâcher le bouton.
3. Répéter ces opérations pour les autres filtres.

Contrôle du fonctionnement

1. Mettre l'appareil sous tension pour vérifier le bon fonctionnement de la hotte.
2. Les commandes de la hotte sont situées sous celle-ci, du côté droit.



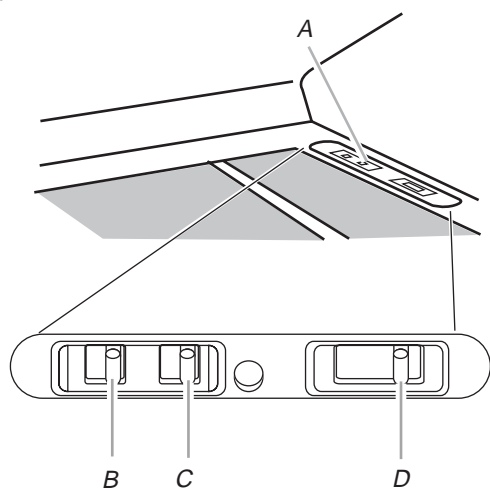
A. Commandes
B. Filtres

3. Pousser le commutateur d'éclairage à la position "1". Les lumières devraient s'allumer.
4. Pousser le commutateur du ventilateur à la position "1". Le ventilateur devrait fonctionner.
5. Placer le bouton de vitesse du ventilateur à la position "1" pour la vitesse basse, à la position "2" pour la vitesse moyenne, ou à la position "3" pour la vitesse élevée.
6. Pour commander l'arrêt du ventilateur et l'extinction des lampes, placer les commutateurs du ventilateur et des lampes à la position "0".
7. Si la hotte ne fonctionne pas, déterminer si un disjoncteur s'est ouvert ou si un fusible est grillé. Interrompre l'alimentation électrique du circuit et vérifier que le câblage est correct.

REMARQUE : Pour pouvoir tirer le plus grand parti de la nouvelle hotte de cuisinière, lire la section "Utilisation de la hotte".

UTILISATION DE LA HOTTE

La hotte de cuisinière est conçue pour extraire fumée, vapeurs de cuisson et odeurs de la zone de la table de cuisson. Pour obtenir les meilleurs résultats, mettre la hotte en marche avant d'entreprendre une cuisson, et la laisser fonctionner pendant plusieurs minutes après l'achèvement d'une cuisson pour pouvoir évacuer de la cuisine toute trace d'odeur de cuisson ou fumée. Les commandes de la hotte sont situées sous celle-ci, du côté droit.



A. Commandes
B. Commutateur d'éclairage
C. Commutateur du ventilateur
D. Sélecteur de vitesse du ventilateur

Commandes de la hotte de cuisinière

Commande de la lampe

1. Placer le commutateur d'éclairage à la position "1" pour ALLUMER la lumière de la hotte.
2. Placer le commutateur d'éclairage à la position "0" pour ÉTEINDRE la lumière de la hotte.

Utilisation du ventilateur

1. Placer le commutateur du ventilateur à la position "1" pour METTRE EN MARCHÉ le ventilateur. Le ventilateur commencera à fonctionner, à la vitesse déjà sélectionnée par le commutateur de vitesse.
2. Placer le commutateur du ventilateur à la position "0" pour ARRÊTER le ventilateur.

Réglage du ventilateur

Le sélecteur de vitesse du ventilateur comporte 3 positions. Placer le commutateur de vitesse du ventilateur à la position "1" pour la vitesse basse, à la position "2" pour la vitesse moyenne ou à la position "3" pour la vitesse élevée.

Utilisation de la lampe à rayons infrarouges (accessoire facultatif)

1. Installer des ampoules pour lampes à rayons infrarouges (non fournies) dans les douilles de lampes à rayons infrarouges.

REMARQUE : Les ampoules pour lampes à rayons infrarouges doivent avoir une intensité nominale de 250 watts chacune.

⚠ AVERTISSEMENT

Risque d'empoisonnement alimentaire

Ne pas laisser des aliments reposer plus d'une heure avant ou après la cuisson.

Le non-respect de cette instruction peut causer un empoisonnement alimentaire ou une maladie.

2. Pour allumer une lumière, placer le commutateur dans le panneau de la lampe à rayons infrarouges situé le plus près de la lumière désirée à la position "1". Placer le commutateur à la position "O" pour éteindre la lumière. Répéter pour l'autre lumière.

ENTRETIEN DE LA HOTTE DE CUISINIÈRE

Lampes de la hotte de cuisinière

Remplacement d'une lampe à halogène

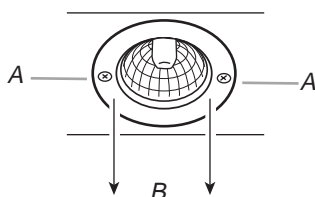
Cette hotte utilise des lampes à halogène de 12 volts, 20 watts.

Éteindre la hotte et laisser les lampes refroidir.

Pour éviter d'endommager ou de réduire la durée de vie de la nouvelle ampoule, ne pas toucher l'ampoule avec les doigts nus. Remplacer l'ampoule en utilisant un chiffon pour la manipulation ou en portant des gants en coton.

Pour le remplacement :

1. Déconnecter la source de courant électrique.
2. Ôter les 2 vis de la garniture métallique circulaire de la lampe.
3. Tirer vers le bas l'ensemble garniture/lampe suffisamment pour qu'il soit possible de dégager la lampe des agrafes de douille.



A. Retirer 2 vis.

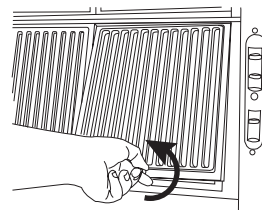
B. Tirer vers le bas l'ensemble garniture/lampe.

4. Insérer la lampe neuve dans les agrafes de la douille; repousser l'ensemble garniture/lampe vers le haut dans la hotte.
5. Réinstaller les vis.
6. Reconnecter la source de courant électrique.

- Détergent liquide doux et eau.
- Frotter avec un chiffon doux et humide ou une éponge non abrasive, puis rincer avec de l'eau propre et essuyer pour sécher.

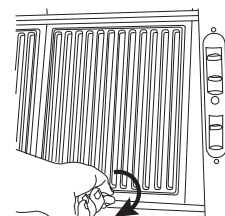
Filtres métalliques :

Pour une installation avec décharge à l'extérieur, employer les 2 mains pour enlever les filtres. Tourner le bouton vers la gauche (dans le sens antihoraire) pour libérer le filtre. Répéter pour l'autre filtre.



Laver les filtres métalliques selon le besoin au lave-vaisselle ou avec une solution de détergent chaude.

Réinstaller le filtre en plaçant le bord arrière dans la rainure à l'arrière de la hotte. Pousser le filtre pour la mise en place; faire tourner le bouton vers la droite (dans le sens horaire) pour la fixation sur la hotte. Répéter pour l'autre filtre.



Nettoyage

Surfaces externes :

Pour éviter d'endommager la surface externe, ne pas utiliser de tampon de laine d'acier ou de tampon à récurer savonneux. Frotter dans la direction du grain pour éviter d'égratigner la surface.

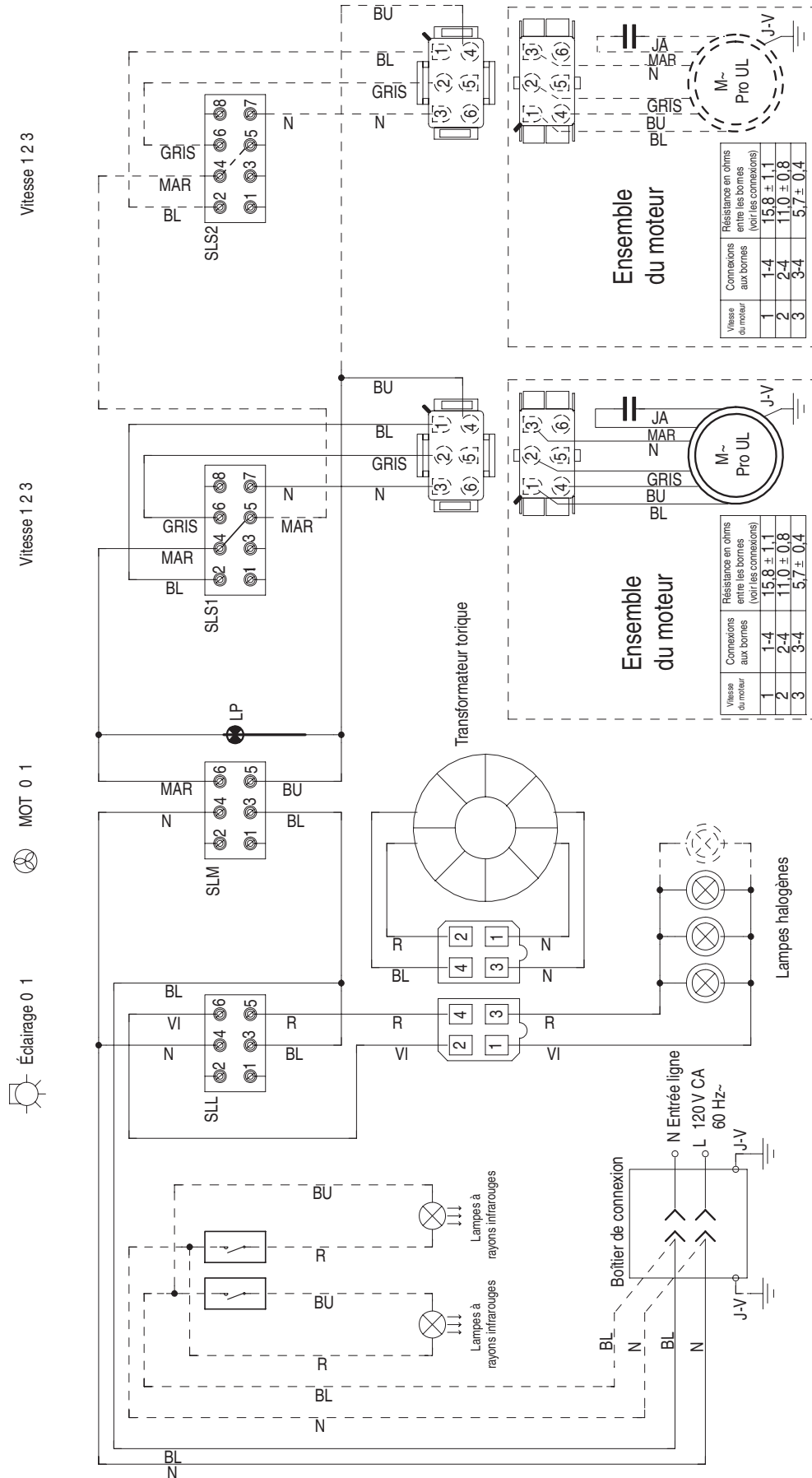
Toujours essuyer pour éviter de laisser des traces d'eau.

- Nettoyant et poli pour acier inoxydable.

Protecteur thermique

La hotte est dotée d'un protecteur thermique qui permet d'éviter des situations de surchauffe. Si la hotte cesse de fonctionner en cours d'utilisation, déplacer alors le commutateur coulissant du ventilateur à la position "0" pour éteindre cette dernière. Attendre environ 60 minutes, puis remettre le commutateur coulissant du ventilateur à la position "1" pour remettre la hotte en marche.

SCHEMA DE CÂBLAGE



ASSISTANCE OU SERVICE

Lors d'un appel pour assistance ou service, veuillez connaître la date d'achat, le numéro de modèle et le numéro de série complets de l'appareil. Ces renseignements nous aideront à mieux répondre à votre demande.

Si vous avez besoin de pièces de rechange

Si vous avez besoin de commander des pièces de rechange, nous vous recommandons d'employer uniquement des pièces spécifiées par l'usine. Les pièces spécifiées par l'usine fonctionneront bien parce qu'elles sont fabriquées avec la même précision utilisée dans la fabrication de chaque nouvel appareil. Pour localiser des pièces spécifiées par l'usine dans votre région, nous appelons ou téléphonons au centre de service désigné le plus proche.

Au Canada

Veuillez appeler sans frais le Centre pour l'eXpérience de la clientèle de KitchenAid Canada au : **1-800-807-6777**.

Nos consultants vous renseigneront sur les sujets suivants :

- Caractéristiques et spécifications sur toute notre gamme d'appareils électroménagers.
- Consignes d'utilisation et d'entretien.
- Vente d'accessoires et de pièces de rechange.
- Références aux marchands locaux, aux distributeurs de pièces de rechange et aux compagnies de service. Les techniciens de service désignés par KitchenAid Canada sont formés pour remplir la garantie des produits et fournir un service après la garantie, partout au Canada.

Pour plus d'assistance

Si vous avez besoin de plus d'assistance, vous pouvez soumettre par écrit toute question ou préoccupation à KitchenAid Canada à l'adresse suivante :

Centre pour l'eXpérience de la clientèle
KitchenAid Canada
200 - 6750 Century Ave.
Mississauga, Ontario L5N 0B7

Veuillez inclure dans votre correspondance un numéro de téléphone où l'on peut vous joindre dans la journée.

Accessoires

Cache-conduit pleine largeur

Commander la pièce numéro 8285149 pour modèle de 30" (76,2 cm)

Commander la pièce numéro 8284753 pour modèle de 36" (91,4 cm)

Commander la pièce numéro 8284828 pour modèle de 42" (106,7cm)

Commander la pièce numéro 8284752 pour modèle de 48" (121,9 cm)

Ensemble de cheminée télescopique

Commander la pièce numéro W10254092

Ensemble de raccord de conduit

Commander la pièce numéro 4396915 pour modèle de 48" (121,9 cm)

Ensemble de lampe à rayons infrarouges

Commander la pièce numéro W10238212 pour modèle de 30" (76,2 cm)

Commander la pièce numéro W10238211 pour modèle de 36" (91,4 cm)

Commander la pièce numéro W10238211 pour modèle de 42" (106,7cm)

Commander la pièce numéro W10238209 pour modèle de 48" (121,9 cm)

Ensemble de dossier (sans lampe à rayons infrarouges)

Commander la pièce numéro 8285148 pour modèle de 30" (76,2 cm)

Commander la pièce numéro 8284756 pour modèle de 36" (91,4 cm)

Commander la pièce numéro 8284827 pour modèle de 42" (106,7cm)

Commander la pièce numéro 8284755 pour modèle de 48" (121,9 cm)

Ensemble de dossier (avec lampe à rayons infrarouges)

Commander la pièce numéro W10225950 pour modèle de 30" (76,2 cm)

Commander la pièce numéro W10225949 pour modèle de 36" (91,4 cm)

Commander la pièce numéro W10225949 pour modèle de 42" (106,7cm)

Commander la pièce numéro W10225948 pour modèle de 48" (121,9 cm)

GARANTIE DU SYSTÈME DE VENTILATION KITCHENAID®

GARANTIE LIMITÉE

Pendant un an à compter de la date d'achat, lorsque ce gros appareil ménager est utilisé et entretenu conformément aux instructions jointes à ou fournies avec le produit, la marque KitchenAid de Whirlpool Corporation ou Whirlpool Canada LP (ci-après désignées "KitchenAid") paiera pour les pièces spécifiées par l'usine et la main-d'œuvre pour corriger les vices de matériaux ou de fabrication. Le service doit être fourni par une compagnie de service désignée par KitchenAid. Cette garantie limitée est valide uniquement aux États-Unis ou au Canada et s'applique exclusivement lorsque l'appareil est utilisé dans le pays où il a été acheté. À l'extérieur du Canada et des 50 États des États-Unis, cette garantie limitée ne s'applique pas. Une preuve de la date d'achat original est exigée pour obtenir un service dans le cadre de la présente garantie limitée.

ARTICLES EXCLUS DE LA GARANTIE

La présente garantie limitée ne couvre pas :

1. Les visites de service pour rectifier l'installation du gros appareil ménager, montrer à l'utilisateur comment utiliser l'appareil, remplacer ou réparer des fusibles ou rectifier le câblage ou la plomberie du domicile.
 2. Les visites de service pour réparer ou remplacer les ampoules électriques de l'appareil, les filtres à air ou les filtres à eau. Les pièces consommables ne sont pas couvertes par la garantie.
 3. Les réparations lorsque le gros appareil ménager est utilisé à des fins autres que l'usage unifamilial normal ou lorsque les instructions d'installation et/ou les instructions de l'opérateur ou de l'utilisateur fournies ne sont pas respectées.
 4. Les dommages imputables à : accident, modification, usage impropre ou abusif, incendie, inondation, actes de Dieu, installation fautive ou installation non conforme aux codes d'électricité ou de plomberie, ou l'utilisation de pièces consommables ou de produits nettoyants non approuvés par KitchenAid.
 5. Les défauts apparents, notamment les éraflures, les bosses, fissures ou tout autre dommage au fini du gros appareil ménager, à moins que ces dommages soient dus à des vices de matériaux ou de fabrication et soient signalés à KitchenAid dans les 30 jours suivant la date d'achat.
 6. Les coûts associés au transport du gros appareil ménager du domicile pour réparation. Ce gros appareil ménager est conçu pour être réparé à domicile et seul le service à domicile est couvert par la présente garantie.
 7. Les réparations aux pièces ou systèmes résultant d'une modification non autorisée faite à l'appareil.
 8. Les frais de transport pour le service d'un produit si votre gros appareil est situé dans une région éloignée où un service d'entretien KitchenAid autorisé n'est pas disponible.
 9. La dépose et la réinstallation de votre gros appareil si celui-ci est installé dans un endroit inaccessible ou n'est pas installé conformément aux instructions d'installation fournies.
 10. Les gros appareils ménagers dont les numéros de série et de modèle originaux ont été enlevés, modifiés ou qui ne peuvent pas être facilement identifiés. La présente garantie est nulle si le numéro de série d'usine a été modifié ou enlevé du gros appareil ménager.
- Le coût d'une réparation ou d'un remplacement dans le cadre de ces circonstances exclues est à la charge du client.

CLAUSE D'EXONÉRATION DE RESPONSABILITÉ AU TITRE DES GARANTIES IMPLICITES; LIMITATION DES RECOURS

LE SEUL ET EXCLUSIF RECOURS DU CLIENT DANS LE CADRE DE LA PRÉSENTE GARANTIE LIMITÉE CONSISTE EN LA RÉPARATION PRÉVUE CI-DESSUS. LES GARANTIES IMPLICITES, Y COMPRIS LES GARANTIES APPLICABLES DE QUALITÉ MARCHANDE ET D'APTITUDE À UN USAGE PARTICULIER, SONT LIMITÉES À UN AN OU À LA PLUS COURTE PÉRIODE AUTORISÉE PAR LA LOI. KITCHENAID N'ASSUME AUCUNE RESPONSABILITÉ POUR LES DOMMAGES FORTUITS OU INDIRECTS. CERTAINES JURIDICTIONS NE PERMETTENT PAS L'EXCLUSION OU LA LIMITATION DES DOMMAGES FORTUITS OU INDIRECTS, OU LES LIMITATIONS DE LA DURÉE DES GARANTIES IMPLICITES DE QUALITÉ MARCHANDE OU D'APTITUDE À UN USAGE PARTICULIER, DE SORTE QUE CES EXCLUSIONS OU LIMITATIONS PEUVENT NE PAS S'APPLIQUER DANS VOTRE CAS. CETTE GARANTIE VOUS CONFÈRE DES DROITS JURIDIQUES SPÉCIFIQUES ET VOUS POUVEZ ÉGALEMENT JOUIR D'AUTRES DROITS QUI PEUVENT VARIER D'UNE JURIDICTION À UNE AUTRE.

Si vous résidez à l'extérieur du Canada et des 50 États des États-Unis, contactez votre marchand KitchenAid autorisé pour déterminer si une autre garantie s'applique.

Si vous avez besoin de service, voir d'abord la section "Dépannage" du Guide d'utilisation et d'entretien. Après avoir vérifié la section "Dépannage", de l'aide supplémentaire peut être trouvée en vérifiant la section "Assistance ou service" ou en appelant KitchenAid. Aux É.-U., composer le 1-800-422-1230. Au Canada, composer le 1-800-807-6777. 4/09

Conservez ce manuel et votre reçu de vente ensemble pour référence ultérieure. Pour le service sous garantie, vous devez présenter un document prouvant la date d'achat ou d'installation.

Inscrivez les renseignements suivants au sujet de votre gros appareil ménager pour mieux vous aider à obtenir assistance ou service en cas de besoin. Vous devrez connaître le numéro de modèle et le numéro de série au complet. Vous trouverez ces renseignements sur la plaque signalétique située sur le produit.

Nom du marchand _____

Adresse _____

Numéro de téléphone _____

Numéro de modèle _____

Numéro de série _____

Date d'achat _____

W10233972B
SP PN W10233975B

© 2010.
All rights reserved.
Tous droits réservés.

® Registered Trademark/TM Trademark of KitchenAid, U.S.A., KitchenAid Canada licensee in Canada
© Marque déposée/TM Marque de commerce de KitchenAid, U.S.A., Emploi sous licence par KitchenAid Canada au Canada

3/10
Printed in Italy
Imprimé en Italie