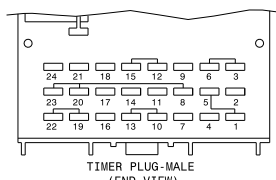
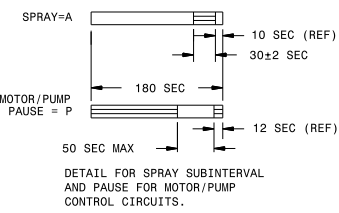
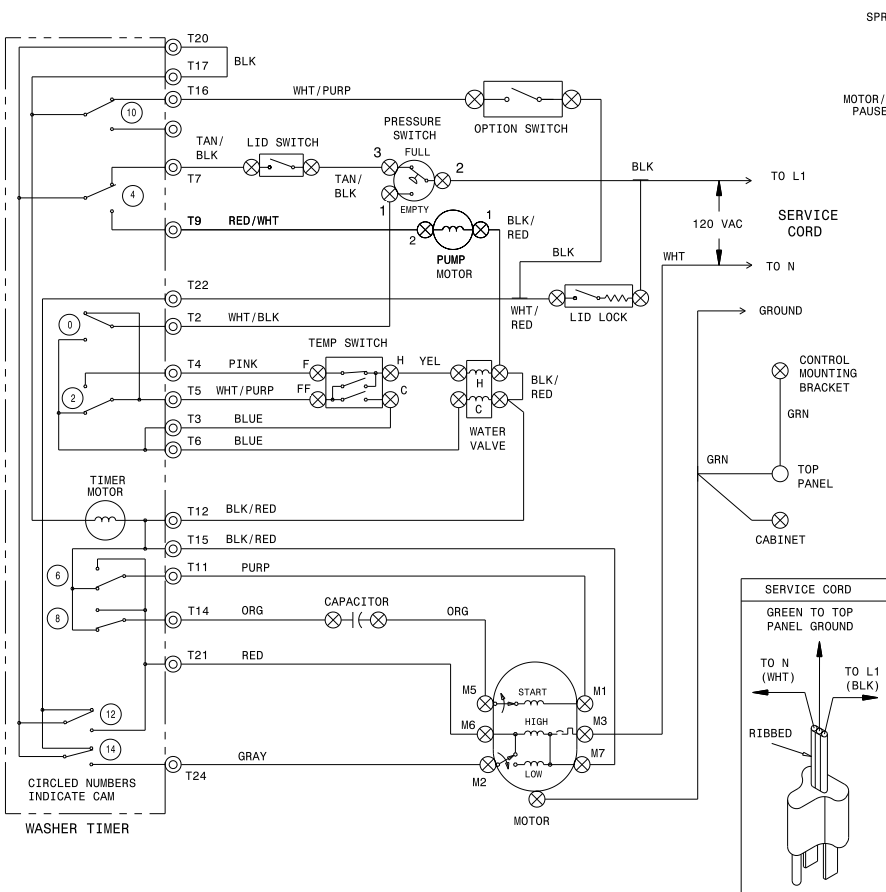


CAUTION: DISCONNECT ELECTRIC CURRENT BEFORE SERVICING

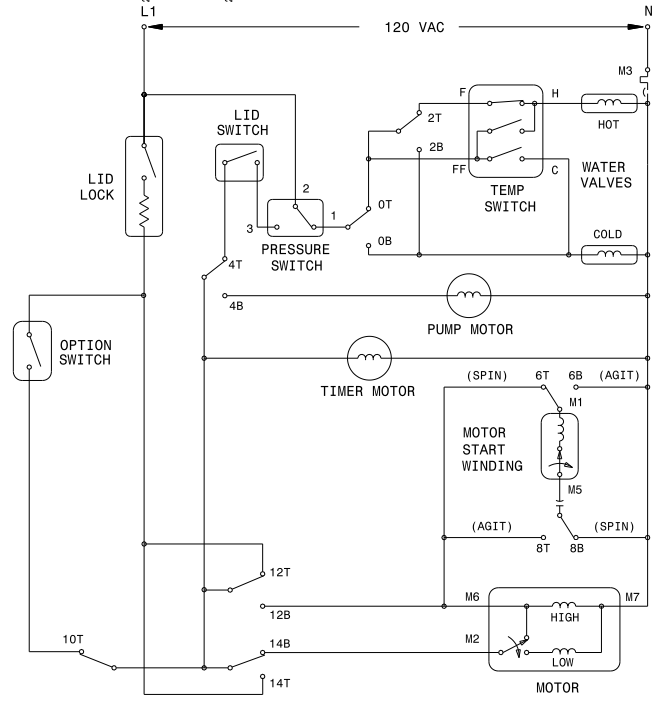
CAM	TERM	CONTACT	CIRCUIT	REGULAR			OFF	EX. RINSE		OFF	PERM. PRESS				OFF	KNITS & DELICATE				OFF	SOAK				OFF
				WASH (15 MIN)	PUMP (6 MIN)	RINSE (3)	PUMP (15 MIN)	WASH (12 MIN)	PUMP (6 MIN)	RINSE (3)	PUMP (6 MIN)	WASH (6 MIN)	PUMP (6 MIN)	RINSE (3)	PUMP (6 MIN)	WASH (3)	SOAK (12 MIN)	RINSE (3)	PUMP (6 MIN)						
0	2	1	T WATER TEMP																						
		3	B SIS SPRAY																						
2	5	4	T WASH FILL																						
		6	B RINSE FILL																						
4	8	7	T LID SW BYPASS																						
		9	B PUMP																						
6	11	10	T SPIN DIR																						
		12	B AGITATE DIR																						
8	14	13	T AGITATE DIR																						
		15	B SPIN DIR																						
10	17	16	T ADV. EX. RINSE																						
		18	B ADV. SOAK																						
12	20	19	T P.S. BYPASS																						
		21	B HIGH SPEED MOTOR																						
14	23	22	T P.S. BYPASS																						
		24	B LOW SPEED MOTOR																						



WIRING CODES	
	PLUG IN TIMER TERMINAL
	QUICK DISCONNECT TERMINAL
	SCREW TERMINAL
	CONNECTION
	NO CONNECTION
	MOTOR SWITCH
	SPLICE
	MOTOR PROTECTOR
	CHASSIS (CABINET) GROUND

TEMPERATURE SWITCH CIRCUIT			
WASH/RINSE	F-H	FF-H	FF-C
COLD/COLD	0	0	X
WARM/COLD	X	0	X
HOT/COLD	X	0	0
WARM/WARM (OPT)	0	X	X

0=OPEN X=CLOSED



NOTE:
SUFFIX INDICATES TIMER SWITCH CONTACTS
T= TOP
B= BOTTOM

PRECAUCION: DESCONECTAR LA CORRIENTE ELECTRICA ANTES DE DAR SERVICIO A LA SECADORA.

