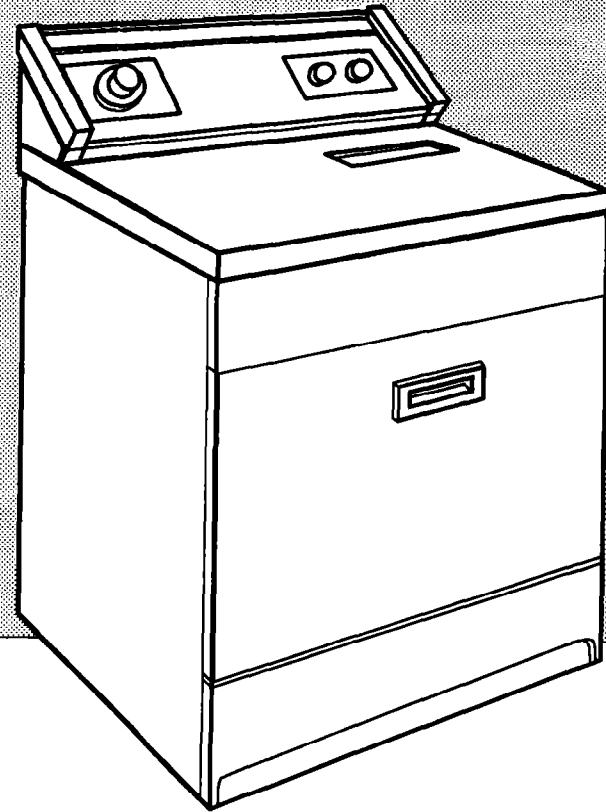


# Installation Instructions



Part No. 3397601 Rev. A

## Electric Dryer

**IMPORTANT:**  
**Read and save**  
**these instructions.**

**IMPORTANT:**

**Installer:** Leave Installation Instructions with the homeowner.

**Homeowner:** Keep Installation Instructions for future reference.

**Save** Installation Instructions for local electrical inspector's use.

## Before you start...

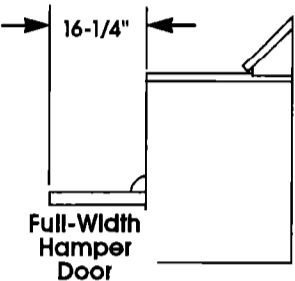
**Check location** where dryer will be installed. Proper installation is your responsibility. The dryer must not be installed or stored in an area where it will be exposed to water and/or weather. Make sure you have everything necessary for correct installation.

**Protection from the weather:** Proper operation of dryer cycles requires temperatures above 45°F, or the dryer may not shut off when automatic cycles are used.

**Check code requirements:** Some codes limit or do not permit installation of clothes dryers in garages, closets, mobile homes, or sleeping quarters. Contact your local building inspector.

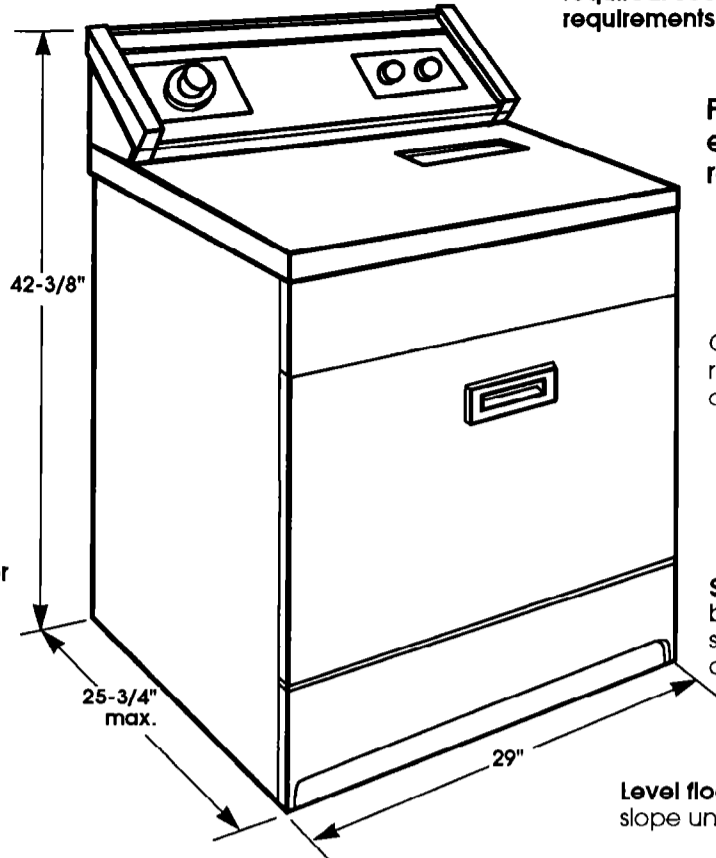
### Dryer Door Clearance

**Location** must be large enough to fully open dryer door. See Panel E for recessed and closet requirements.



**Important: Observe all governing codes and ordinances.**

**Grounded electrical supply is required. See "Electrical requirements," Panels A and B.**



**Four-inch metal exhaust duct is required.**

Open dryer and remove literature and parts packages.

**Support:** Floor must be sturdy enough to support dryer weight of 175 pounds.

**Level floor:** 1-inch maximum slope under entire dryer.

## ! WARNING

### Electrical Shock Hazard

It is the customer's responsibility:

- To contact a qualified electrical installer.
- To assure that the electrical installation is adequate.

Failure to do so could result in fire, electrical shock or other personal injury.

### Fire Hazard

- Do Not store gasoline, paint thinners, or other flammable materials near dryer. Fumes from such materials may result in fire or explosion.
- Never install dryer up against draperies or curtains or on carpet.
- Keep any and all items from falling or collecting behind the dryer.

Failure to follow these instructions could result in a fire or explosion.

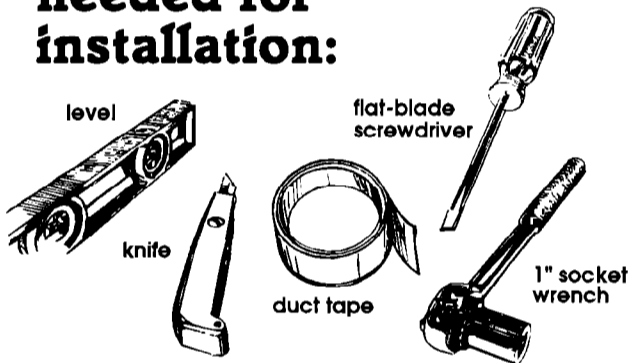
## ! WARNING

### Fire Hazard

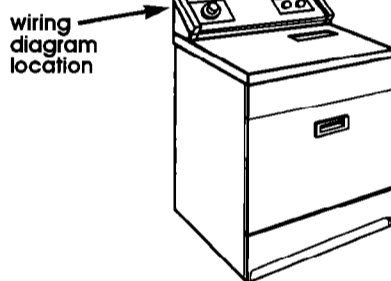
If you install the dryer in a garage, carport, or areas near vehicles where fumes from gasoline or other flammable materials may be present, the vapors may be heavier than air and remain near floor. Place dryer a minimum of 18 inches above floor. Check with your building inspector regarding requirements for this installation.

Failure to follow these instructions could result in fire or explosion.

## Tools and materials needed for installation:

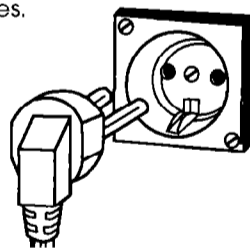


A two-wire, plus grounding wire, single-phase, 230-volt, 50-Hz, AC-only, 15-ampere electrical supply is required on a separate circuit. A time-delay fuse or circuit breaker is recommended.



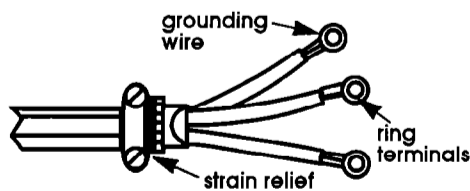
A wiring diagram is located inside the console on rear panel.

It is the personal responsibility and obligation of the customer to contact a qualified electrician to assure that the electrical installation is adequate and is in conformance with all local codes and ordinances.



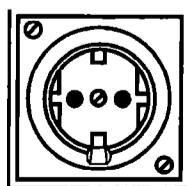
This appliance is equipped with a Schuko type power supply cord. To minimize possible shock hazard, the cord must be plugged into a mating wall receptacle. See Figures 1 and 2.

### Power supply cord



Two-wire power supply cord

Figure 1



two-wire receptacle

Figure 2

If your electrical requirements are different, contact your authorized Whirlpool service center or a qualified electrician.

### Direct wire

The dryer can be connected directly to the fused, disconnect or circuit breaker box with two-wire or three-wire flexible, armored or non-metallic sheathed copper cable (with grounding wire). Do Not use two-wire with bare grounding wire. All current carrying wires must be insulated.

A conduit connector must be installed at the junction box. USE ONLY 10-GAUGE SOLID COPPER WIRE. DO NOT USE ALUMINUM WIRE. Allow four feet of slack in the line so the dryer can be moved if servicing is ever necessary.

## Electrical connection

## ! WARNING

### Electrical Shock/Fire Hazard

Check that wiring you are using matches colors shown in illustrations and specified in instruction steps. If wiring does Not match, it is your responsibility to have a qualified electrician install the correct wiring.

Failure to install the correct wiring could result in fire, electrical shock or death.

This appliance is manufactured with the neutral terminal NOT connected to the frame. If local codes do Not permit this type of connection, see "Three-wire" connection instructions.

## ! WARNING

### Electrical Shock Hazard

- Electrical ground is required on this appliance.
  - Do Not modify the power supply cord plug. If it does not fit the outlet, have a proper outlet installed by a qualified electrician.
  - Do Not have a fuse in the neutral or grounding circuit. A fuse in the neutral or grounding circuit could result in an electrical shock.
  - Do Not use an extension cord with this appliance.
  - Check with a qualified electrician to be sure this appliance is properly grounded.
  - Do Not connect plug end of power supply cord into a live receptacle before connecting power supply cord to dryer terminal block.
  - Do Not reuse old power supply cord.
- Failure to follow these instructions could result in serious injury or death.

If codes permit and a separate grounding wire is used, it is recommended that a qualified electrician determine that the grounding path is adequate.

# Exhaust requirements

## ⚠ WARNING

### Fire/Health Hazard

- Do Not use non-metal, flexible duct.
- Do Not use metal duct smaller than four inches in diameter.
- Do Not use exhaust hoods with magnetic latches.
- Check that exhaust system is not longer than specified. Exhaust systems longer than specified will:
  - Accumulate lint.
  - Shorten the life of the dryer.
  - Reduce performance, resulting in longer drying times and increased energy usage.

Failure to follow specifications may result in a fire.

- Do Not exhaust dryer into a chimney, furnace cold air duct, attic or crawl space, or any other duct used for venting.
  - Clean the exhaust system every other year.
  - Do Not install flexible duct in enclosed walls, ceilings or floors.
- Accumulated lint could be fuel for a fire or cause moisture damage.

Exhausting your dryer indoors is Not recommended. The moisture and lint indoors may cause:

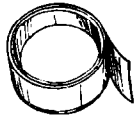
- Lint to gather inside and around the dryer and be a fuel for fire.
- Moisture damage to woodwork, furniture, paint, wallpaper, carpet, etc.
- Housecleaning problems and possible health problems.

Failure to follow these instructions could result in fire damage, property damage, personal injury or health problems.

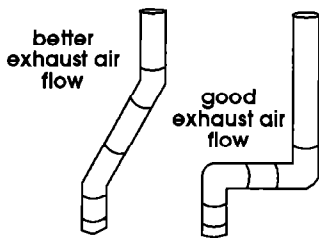
If using an existing exhaust system, clean lint from entire length of exhaust system. Make sure exhaust hood is not plugged with lint.

Replace plastic exhaust duct with rigid metal or flexible metal duct.

Use duct tape to seal all joints.

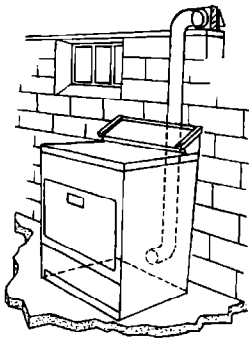


Four-inch rigid metal pipe is preferred. Plan installation to use the fewest number of elbows and turns.



Metal flexible duct must be fully extended and supported when the dryer is in its final position. DO NOT KINK OR CRUSH THE DUCT. The metal flexible duct must be completely open to allow adequate exhaust air to flow. Allow as much room as possible when using elbows or making turns. Bend duct gradually to avoid kinking. Remove excess flexible duct to avoid sagging and kinking that may result in reduced air flow.

Exhaust outlet is located at the center of the bottom dryer back.



The exhaust duct can be routed up, down, left, right or straight out the back of the dryer. General space requirements are provided on Panel E. Use the straightest path you can, where possible, to avoid 90° turns.

Maximum length of the exhaust system depends upon the type of duct used, number of elbows and the type of exhaust hood. The maximum length for both rigid and flexible duct is shown in chart.

NUMBER OF 90° TURNS	EXHAUST HOOD TYPE			MAX. LENGTH OF 4" DIA. RIGID METAL DUCT
	(Type A)	(Type B)	(Type C)	
0	40 FT.	40 FT.	35 FT.	MAX. LENGTH OF 4" DIA. RIGID METAL DUCT
1	30 FT.	30 FT.	25 FT.	
2	20 FT.	20 FT.	20 FT.	
0	25 FT.	25 FT.	18 FT.	MAX. LENGTH OF 4" DIA. FLEXIBLE METAL DUCT
1	19 FT.	19 FT.	12 FT.	
2	15 FT.	15 FT.	10 FT.	

The maximum length using a 2" x 6" rectangular duct with 2 elbows and a 2-1/2" (TYPE C) exhaust hood is 8 ft.

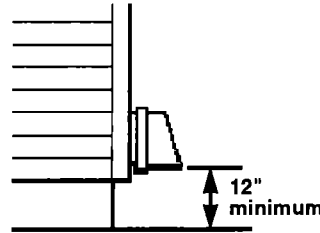
For exhaust systems not covered by the exhaust length chart, check with your dealer or distributor for information.

**Service check:** The back pressure in any exhaust system used must not exceed 0.6 inches of water column measured with an inclined manometer at the point that the exhaust duct connects to the dryer.

**Exhausting the dryer outside** is recommended. A closet installation must be exhausted outside. Recessed installation that is not exhausted outside must use Exhaust Deflector Part No. 3391278 available from your dealer. See "Recessed and closet installation instructions", Panel E, for adequate unobstructed air opening requirements.

If the dryer is installed in a confined area such as a bedroom, bathroom, or closet, it must be exhausted to the outside and provision must be made for enough air for combustion and ventilation. Check governing codes and ordinances. Also refer to the "Recessed and closet installation instructions," Panel E.

An exhaust hood should cap the exhaust duct to prevent exhausted air from returning into dryer. The outlet of the hood must be at least 12 inches from the ground or any object that may be in the path of the exhaust.

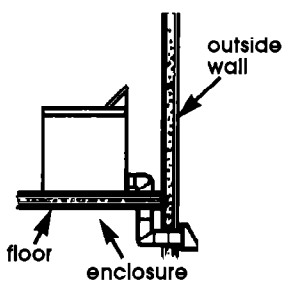


Four-inch outlet exhaust hood is preferred. However, a 2-1/2-inch outlet exhaust hood may be used. A 2-1/2-inch outlet exhaust hood can result in longer drying times than other hood types.

For permanent installation, a stationary exhaust system is required.

### Mobile home installation

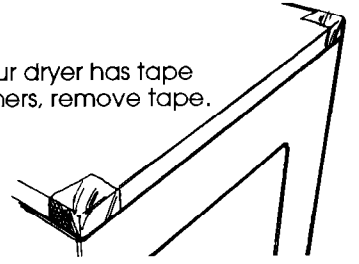
This appliance is suitable for mobile home installations. The installation of the dryer must conform to the Manufactured Home Construction and Safety Standard, Title 24 CFR, Part 3280 (formerly the Federal Standard for Mobile Homes Construction and Safety, Title 24, HUD Part 280, 1975) or the latest edition.



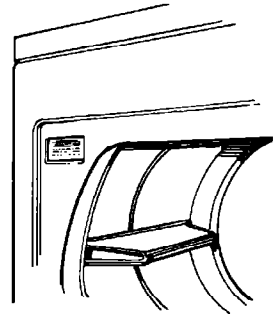
**Mobile home exhaust requirements:** The dryer must have an outside exhaust. If the dryer is exhausted through the floor and the area under the mobile home is enclosed, the exhaust system must terminate outside the enclosed area. Extension beyond the enclosure will prevent lint and moisture buildup under the mobile home.

## Now start... With dryer in laundry area.

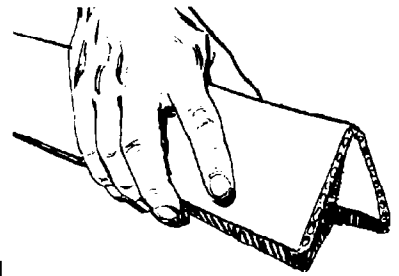
1. If your dryer has tape at front corners, remove tape.



2. Open dryer and remove literature and parts packages. Remove drying rack if your dryer has one. Remove parts from packages. Check that all parts were included (see Panel A).

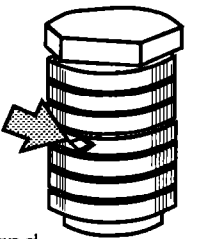


3. Wipe the interior of the drum thoroughly with a damp cloth to remove any dust before using the dryer.

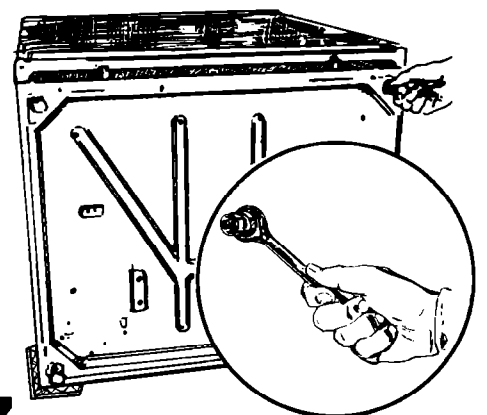


4. Take two of the cardboard corners from the carton and place them on the floor in back of the dryer.

5. Firmly grasp the body of the dryer and gently lay it on its back on the cardboard corners.



6. With one of the legs in hand, check the ridges for a diamond marking. That's how far the leg is supposed to go into the hole.



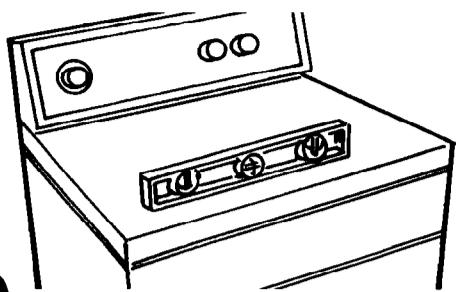
7. Start to screw the legs into the holes by hand. Use a 1" socket wrench or other type wrench to finish turning the legs until you reach the diamond marking.

## ⚠ CAUTION

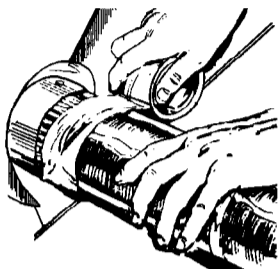
**Floor Damage**  
Slide dryer onto cardboard or hardboard before moving across floor. Failure to do so may cause damage to floor covering.

8. Now stand the dryer up. Slide dryer onto cardboard or hardboard.

**9.** Make electrical connection (see "Electrical requirements" and "Electrical connection," Panels A - C).



**10.** Move the dryer close to its permanent location, but leave enough room to connect exhaust duct. Remove cardboard or hardboard from under dryer. Check levelness of dryer by placing level on top of the dryer, first side to side, then front to back. If dryer is not level, adjust the legs of the dryer up or down. Dryer must be level to prevent noise and poor drying performance.

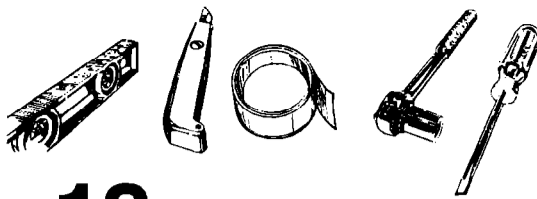


**11.** Connect exhaust duct to exhaust hood and dryer. (See Exhaust requirements, Panel D.)

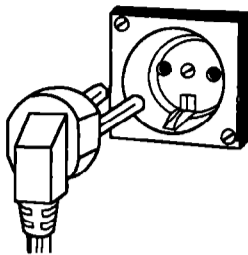
- Use the straightest path possible to avoid 90° turns.
- Use duct tape to seal all joints in the exhaust system.
- Use caulking compound to seal exterior wall opening around exhaust hood.



**12.** Check that all parts you removed from the parts packages are now **installed** in the dryer. If you still have an extra part, go back through the steps to see what you skipped.



**13.** Check to make sure you have all the tools you started with.



**14.** Plug the power supply cord into the grounded outlet or connect direct wire to power supply. Turn power supply on.

**15.** Carefully slide dryer into its final location. Check to be sure legs were properly installed and dryer is level.

**16.** Read the Use and Care Guide to fully understand your new dryer. Start the dryer and allow it to complete a full heat cycle (not the air cycle). After five minutes, open dryer door. You should feel heat inside the dryer. If you do not feel heat, follow instructions given on back cover, "If dryer does not operate properly."

To get the most efficient use from your new dryer, read your Use and Care Guide. Keep Installation Instructions and Guide close to the dryer for easy reference.

## Recessed and closet installation instructions

The dryer may be installed in a recessed area or closet.

### ⚠ WARNING

**Fire Hazard**  
If the dryer is installed in a closet, the dryer **MUST** be exhausted outside. Failure to do so may result in a fire.

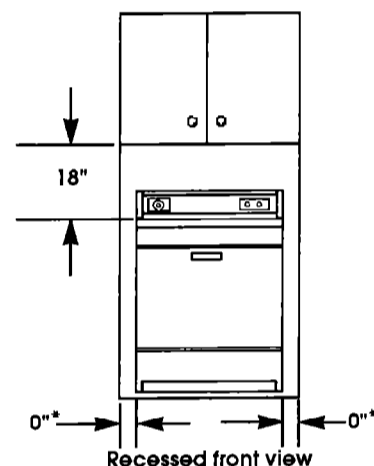
**TO PREVENT LARGE AMOUNTS OF LINT AND MOISTURE FROM ACCUMULATING, TO MAINTAIN DRYING EFFICIENCY AND TO PREVENT EXPOSURE TO POSSIBLE HEALTH HAZARDS, THIS DRYER SHOULD BE EXHAUSTED OUTDOORS.**

The installation spacing is in inches and is minimum allowable.

Additional spacing should be considered for ease of installation, servicing and compliance with local codes and ordinances.

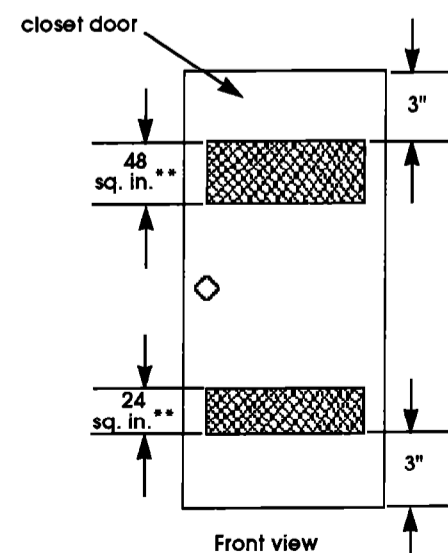
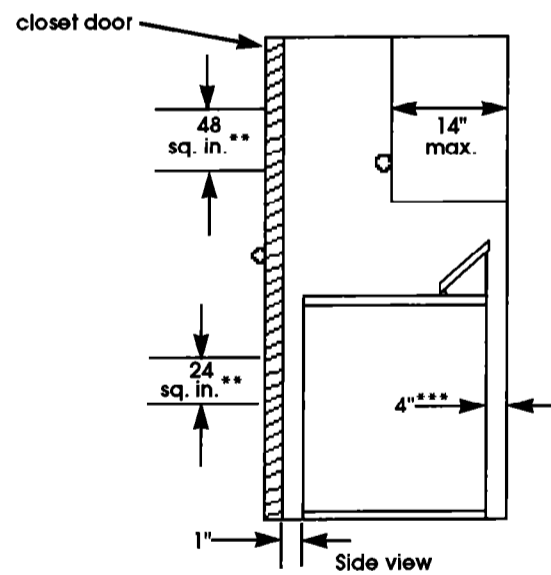
If closet door is installed, the minimum unobstructed air openings in top and bottom is required. Louvered doors with equivalent air openings are acceptable. Closet installation must be exhausted. Other installations must use the minimum dimensions indicated. Companion appliance spacing should be considered.

For recessed, non-exhausted installation, Exhaust Deflector Kit, Part No. 3391273, is required.



### Minimum installation spacing

Closet installation must be exhausted.



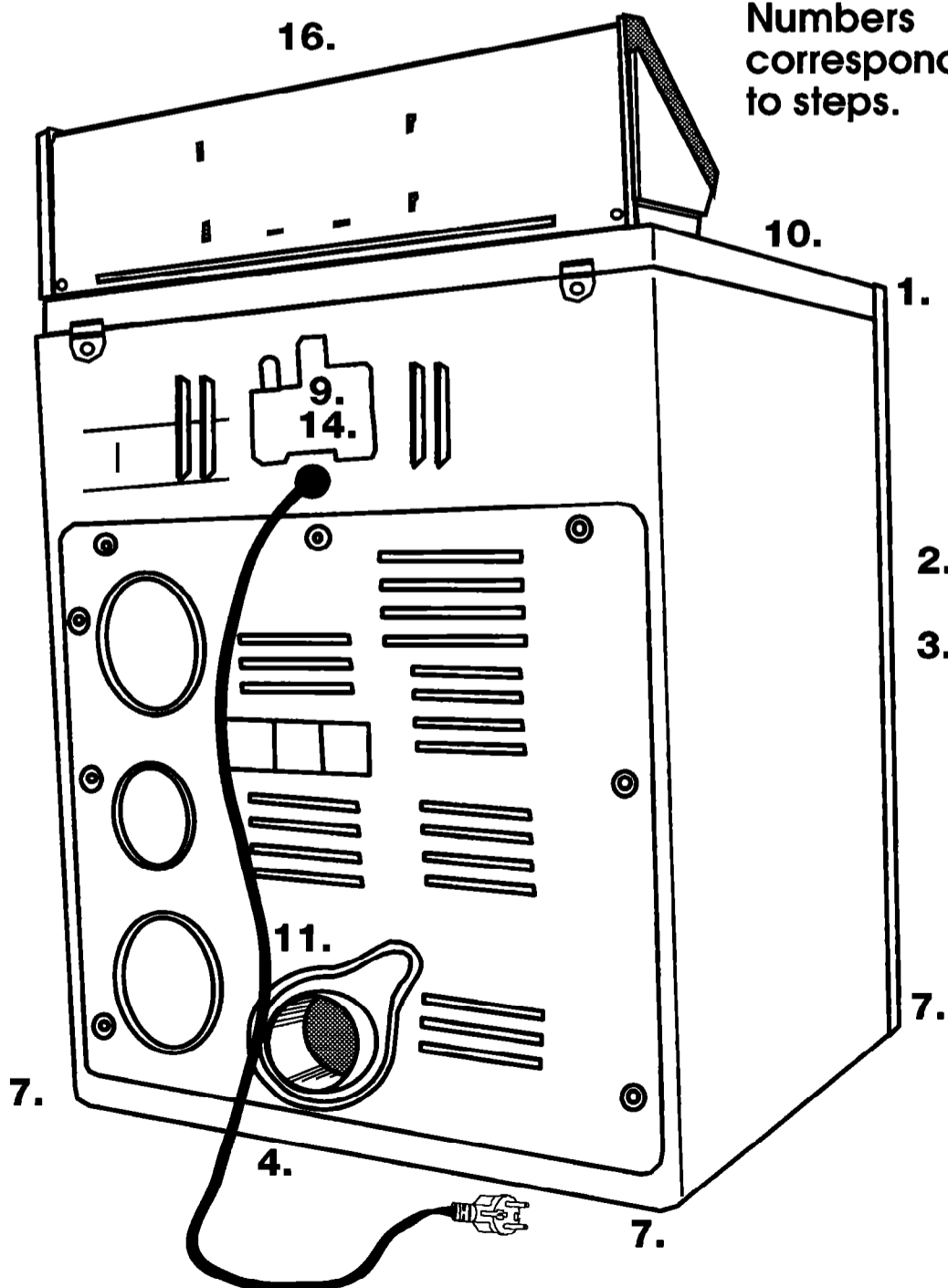
\* Additional clearances for wall, door and floor moldings may be required.

\*\* Opening is minimum for closet door. Louvered door with equivalent air openings is acceptable.

\*\*\* Additional space is needed when external exhaust elbow is used.

16.

Numbers correspond to steps.



## If dryer does not operate properly...

If dryer will not operate, check the following to be sure that:

- A. Electrical supply is connected.
- B. House fuse is intact and tight or circuit breaker has not tripped.
- C. Door is closed.
- D. Controls are set in a running or "On" position.
- E. Start button has been pushed firmly.

## CAUTION

### Floor Damage

**Slide dryer onto cardboard or hardboard before moving across floor.**

**Failure to do so may cause damage to floor covering.**

### When moving your dryer...

- Shut off electric supply to dryer.
- Disconnect power supply cord and tape securely to dryer.
- Tape the drum to the front panel.
- Tape the dryer door and lint screen.
- Screw leveling legs all the way in.

Before having your electric dryer installed in your new home, check with a licensed electrician to confirm that the supply voltage matches the voltage specified on the serial/rating plate.

## If you need assistance...

Check your Use and Care Guide for a toll-free number to call, or call the dealer from whom you purchased this appliance. The dealer is listed in the Yellow Pages of your phone directory under "Appliances - Major-Service & Repair."

When you call, you will need the dryer model number and serial number. Both numbers are on the serial/rating plate located in the door well behind dryer door and on front of opening.

