

# KitchenAid® Side by Side Refrigerator

## PRODUCT MODEL NUMBERS

KSRA22CN	KSRI22FN
KSRA22KN	KSRI25FN
KSRA25CN	KSRJ22CN
KSRA25KN	KSRJ25CN
KSRA25PN	KSRP22FN
KSRB22FN	KSRP25FN
KSRB22FR	KSRS25CN
KSRB25FN	KSRS25PN
KSRB25FR	KSRS27CN
KSRD22FK	KSRX22FN
KSRD25FK	KSRX25FN
KSRG25FK	

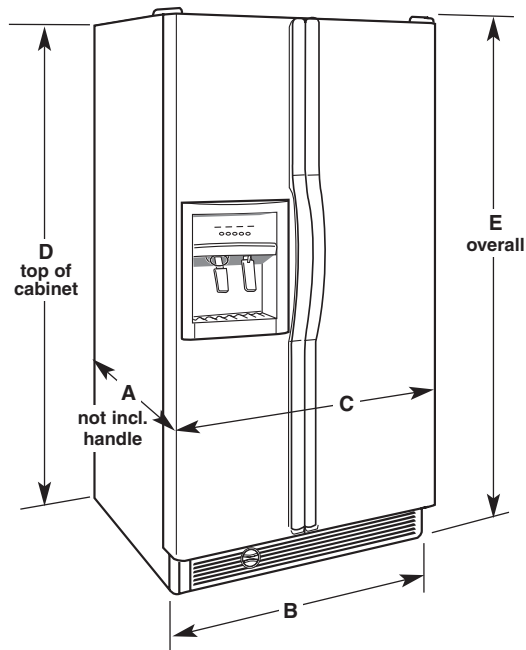
**Electrical:** A 115 Volt, 60 Hz., AC only 15 or 20 amp fused, grounded electrical supply is required. It is recommended that a separate circuit serving only your refrigerator be provided. Use an outlet that cannot be turned off by a switch. Do not use an extension cord.

**Water:** A cold water line with water pressure between 30 and 120 psi (207 - 827 kPa) is required for the water dispenser and ice maker.

**Reverse osmosis water supply:** The pressure of the water supply coming out of a reverse osmosis system going to the water inlet valve of the refrigerator needs to be between 30 and 120 psi (207 - 827 kPa).

If a reverse osmosis water filtration system is connected to your cold water supply, the water pressure to the reverse osmosis system needs to be a minimum of 40 to 60 psi (276 - 414 kPa).

## OVERALL DIMENSIONS

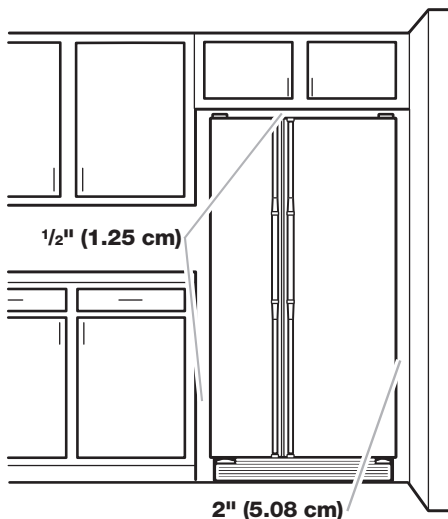


Handle and door style will vary with model.

Dimensions "D" and "E" include rollers extended 3/4".

Model size	Depth "A"	Cab. Width "B"	Door Width "C"	Cab. Height "D"	Overall Height "E"
<b>STANDARD MODELS</b>					
22 cu.ft.	31 3/8"	32 3/4"	33 1/8"	65 7/8"	66 3/4"
25 cu.ft.	31 3/8"	35 1/2"	35 7/8"	68 7/8"	69 3/4"
<b>CURVED DOOR MODELS</b>					
22 cu.ft.	33 1/4"	32 3/4"	33 1/4"	65 7/8"	67 1/4"
25 cu.ft.	33 1/4"	35 1/2"	36"	68 7/8"	70 1/4"
27 cu.ft.	34"	35 1/2"	36"	68 7/8"	70 1/4"
<b>EXTRUDED HANDLE MODELS</b>					
22 cu.ft.	31 3/4"	32 3/4"	33 1/2"	65 7/8"	66 3/4"
25 cu.ft.	31 3/4"	35 1/2"	36 3/16"	68 7/8"	69 3/4"

## LOCATION REQUIREMENTS



To ensure proper ventilation for your refrigerator, allow for 1/2 in. (1.25 cm) space on each side and at the top. (At the top, when using half depth cabinet, use top of cabinet height "D" dimension. When using full depth cabinet, use overall "E" dimension.) When installing your refrigerator next to a fixed wall, leave 2 in. (5.08 cm) minimum on each side (depending on your model) to allow for the door to swing open. If your refrigerator has a water dispenser and ice maker, allow extra space at the back for the water line connections.

**NOTE:** Do not install the refrigerator near an oven, radiator, or other heat source, nor in a location where the temperature will fall below 55°F (13°C).