



FRIGIDAIRE

Factory Parts Catalog

Product No.	CGMO205KFA	CPMO209KFA
Market	Canada	Canada
Color	stainless/black	stainless steel
Volts	120	120
Watts	1100	1100
Wiring Diagram	5995542320	5995542320
Owner's Guide	316495059	316495059
Installation Instructions	316495065	316495065

 **Electrolux**

Electrolux Major Appliances
 North & Latin America
 5855 TERRY FOX WAY
 MISSISSAUGA, ONTARIO, CANADA L5V
 3E4

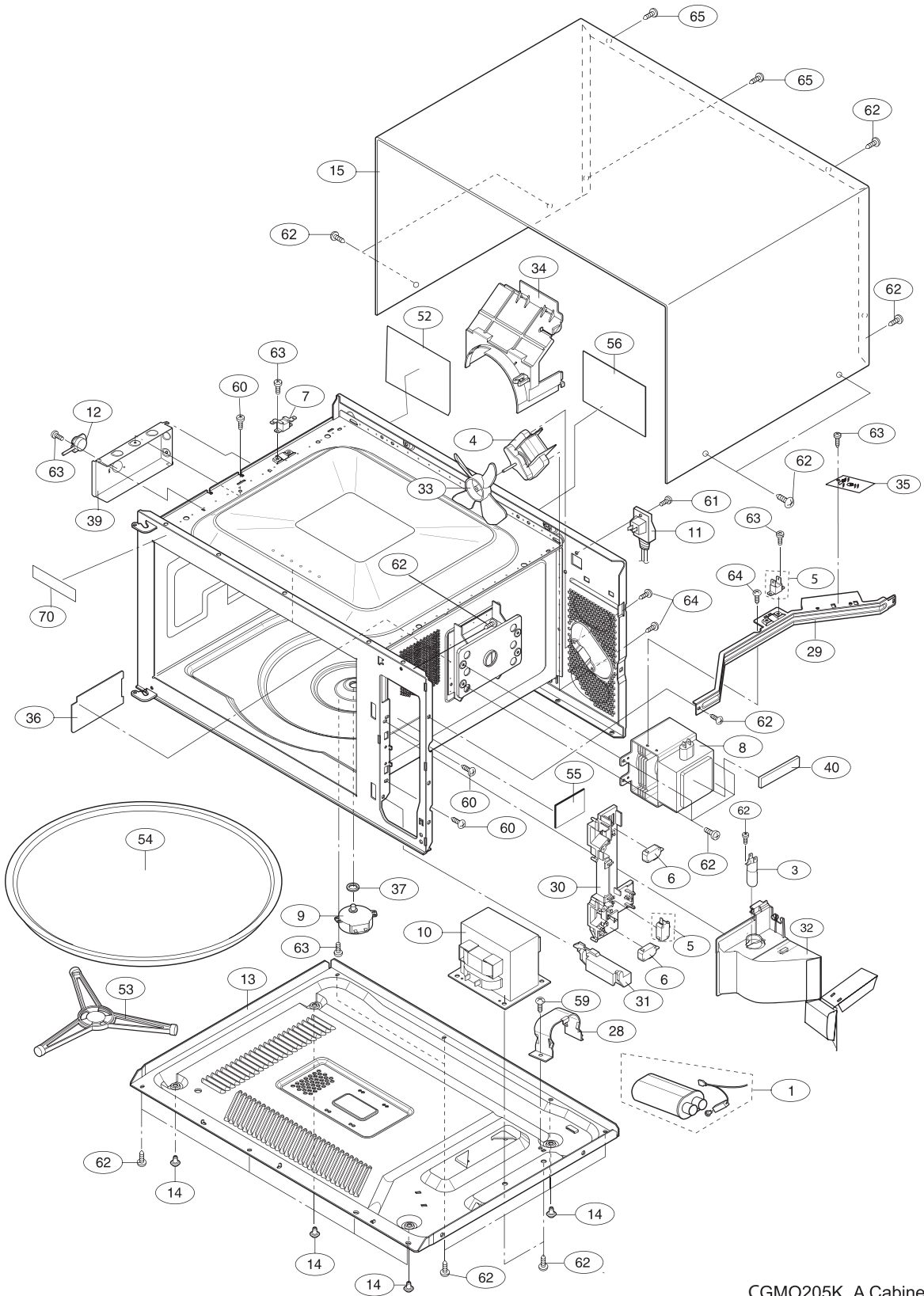
Publication No.
5995542320
 09/06/08
 (EN/SERVICE/)
 099

**COUNTER-TOP
 MICROWAVE**

Model No.
**CGMO205K /
 CPMO209K**

Copyright © 2009 Electrolux Home Products, Inc.
 All rights reserved.

OVEN, CABINET



CGMO205K_A Cabinet

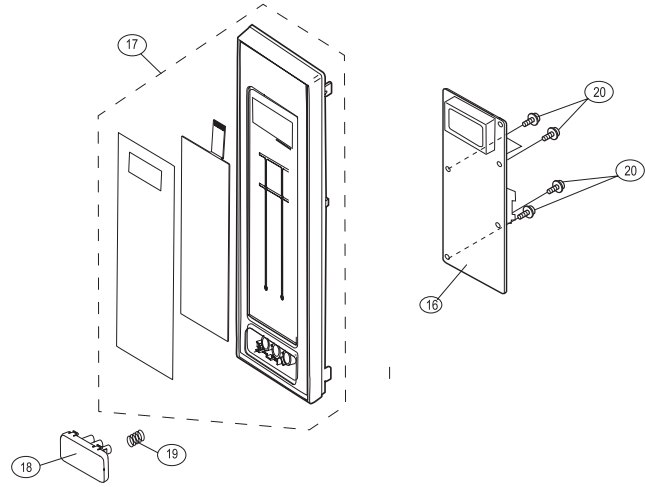
OVEN,CABINET

Model Index: A CGMO205K (CGMO205KFA)
B CPMO209K (CPMO209KFA)

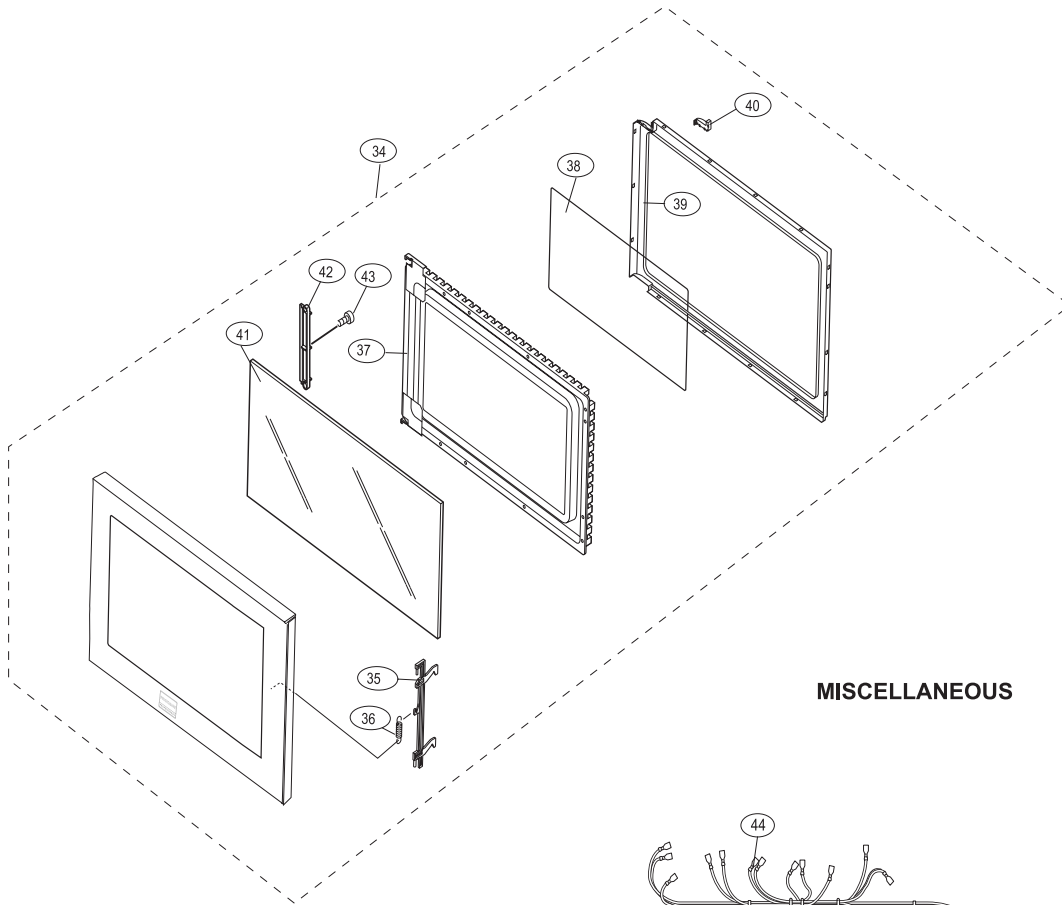
POS. NO	PART NO.		DESCRIPTION
1 #	5304462258	A B	Capacitor/Rectifier Assy, HV
3 #	5304440779	A B	Lamp Assy, with socket
4 #	5304448490	A B	Motor, cooling fan
5 #	5304440027	A B	Switch Kit, monitor, with CT fuse
6 #	5304440026	A B	Switch, interlock, door sensor
7 #	5304440780	A B	Fuse, cavity temp. 20 Amp, 250 V
8 #	5304472253	A B	Magnetron
9 #	5304440782	A B	Motor, turntable
10 #	5304473321	A B	Transformer, power
11 #	5304440784	A B	Power Cord, electric
12 #	5304440785	A B	Sensor, humidity, cook control
13	5304440814	A B	Base, unit chassis
14	5304440815	A B	Foot, cabinet support
15	5304440816	A B	Cabinet, outer casing, black
28	5304440838	A B	Retainer, capacitor strap
29	5304462313	A B	Bracket, chassis support
30	5304440840	A B	Latch Hook
31	5304464899	A B	Lever, door release
32	5304440842	A B	Duct, magnetron
33 #	5304440843	A B	Fan Blade, cooling fan
34	5304472846	A B	Duct, cooling fan
35 #	5303322968	A B	Filter, noise, electronic
36	5304462314	A B	Cover, waveguide
37	5304440288	A B	Bushing, motor shaft, turntable
39	5304440847	A B	Duct, AH sensor
40	5304441910	A B	Cushion, magnetron pad
52	5304465314	A B	Label, NHW caution
53	5304440284	A B	Support Assy, turntable
54	5304440868	A B	Tray, turntable, glass
55	5304440334	A B	Label, Caution-monitor
56	5304440333	A B	Label, Caution-DHHS
59	5303319636	A B	Screw
60	5303319641	A B	Screw
61	5304462315	A B	Screw, 4 mm x 12 mm, ground
62	5304451553	A B	Screw, 4 mm x 12 mm
63	5304453725	A B	Screw, 3mm x 8mm
64	5304450253	A B	Screw, 4 mm x 8 mm
65	5304440873	A B	Screw, Torx, T20H/GTXH20-100
70	5304472847	A B	Label, menu

CONTROL PANEL, DOOR, MISC.

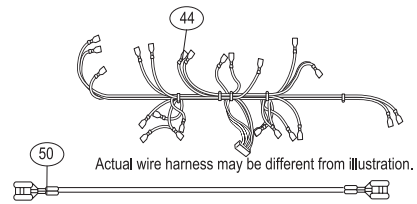
CONTROL PANEL PARTS



DOOR PARTS



MISCELLANEOUS



FGMO205K_A Control

CONTROL PANEL,DOOR,MISC.

Model Index: A CGMO205K (CGMO205KFA)
B CPMO209K (CPMO209KFA)

POS. NO	PART NO.		DESCRIPTION
16 #	5304472840	A B	Control Board, printed circuit
17 #	5304472842	A -	Control Panel Assy, stainless/black
17 #	5304472841	- B	Control Panel Assy, stainless
18	5304462915	A -	Push Button, door, stainless
18	5304472845	- B	Push Button, door, stainless
19	5304440831	A B	Spring, door button
20	5304456930	A B	Screw, 3 mm x 10 mm
34	5304472849	A -	Door Assy, complete, stainless/black
34	5304472848	- B	Door Assy, complete, stainless
35	5304440856	A B	Latch, door
36	5304440316	A B	Spring, door latch
37	5304440857	A -	Panel, inner door, black
37	5304472852	- B	Panel, inner door, light gray
38	5304440860	A B	Seal, door, film
39	5304440861	A B	Choke Cover, inner door
40	5304442145	A B	Door Stop
41	5304472854	A -	Panel, door glass, black
41	5304472853	- B	Panel, door glass, silver
42	5304440862	A B	Door Stop
43	5304452259	A B	Screw
44 #	5304440878	A B	Wiring Harness, main
50 #	5304440870	A B	Wire, high voltage-A

WIRING SCHEMATIC

SCHEMATIC
 NOTE: CONDITION OF OVEN
 1. Door Closed
 2. CLOCK APPEARS ON DISPLAY

NOTE: "*" indicates components with potential above 250V.

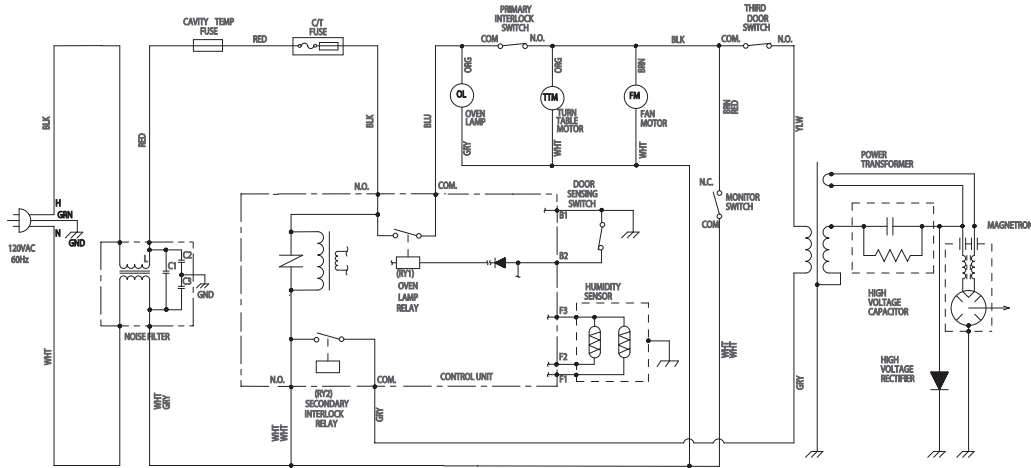


Figure O-1 Oven Schematic - Off Condition

SCHEMATIC
 NOTE: CONDITION OF OVEN
 1. DOOR CLOSED
 2. COOKING TIME PROGRAMMED
 3. VARIABLE COOKING CONTROL "HIGH"
 4. "START" PAD TOUCHED

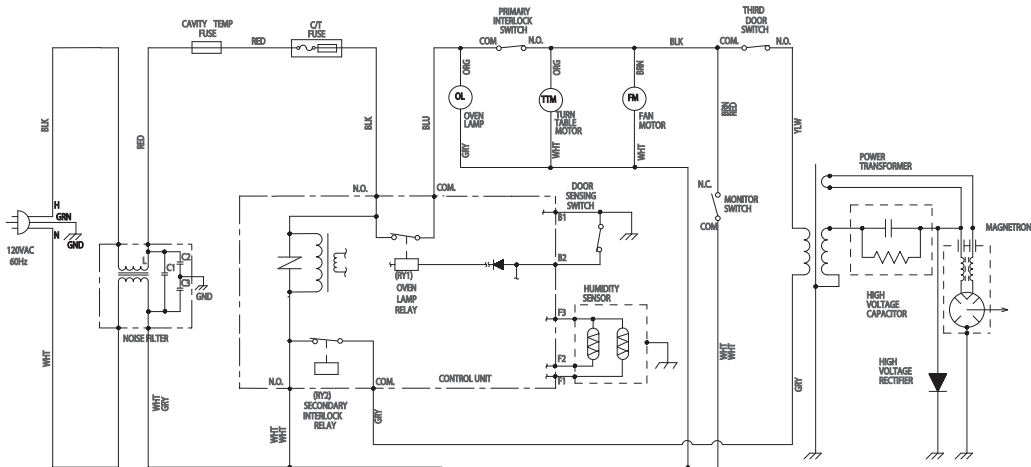


Figure O-2 Oven Schematic - Cooking Condition