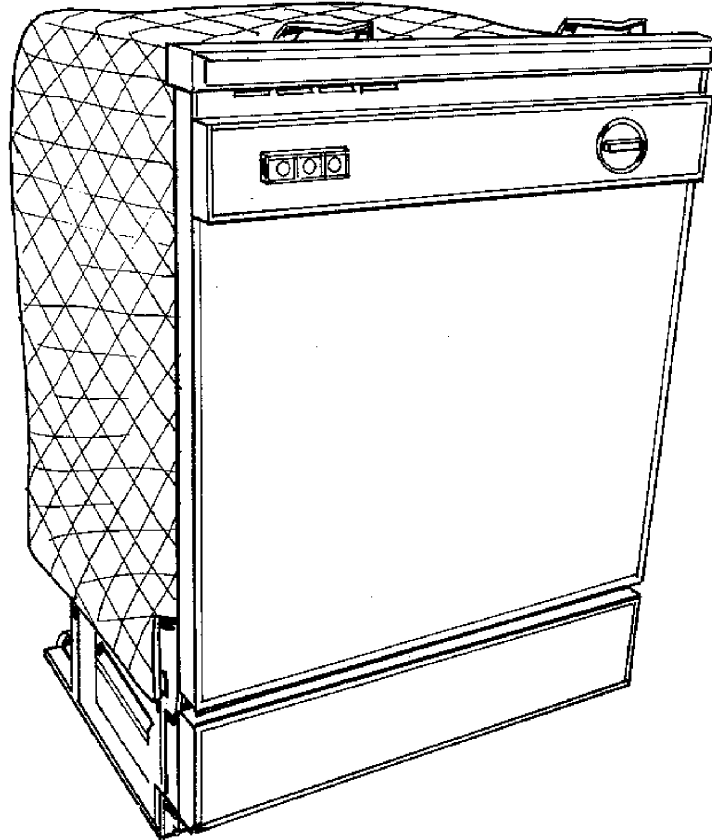


INSTALLATION INSTRUCTIONS for Undercounter Dishwasher



IMPORTANT: Read and save these instructions.

IMPORTANT:

Installer: Leave Installation Instructions with the homeowner.

Homeowner: Keep Installation Instructions for future reference.

Save Installation Instructions for local electrical inspector's use.

(continued)

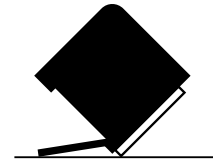
⚠ WARNING



Electrical Shock Hazard

Disconnect power before servicing.
Replace all panels before operating.
Failure to do so can result in death or electrical shock.

⚠ WARNING



Tip Over Hazard

Do not use dishwasher until completely installed.
Do not push down on open door.
Doing so can result in serious injury or cuts.

Before you start...

Proper installation is your responsibility. Make sure you have everything necessary for correct installation. It is the responsibility of the customer to contact a qualified installer to assure that the plumbing and electrical installations are adequate and meet all national and local codes and ordinances.

IMPORTANT: Observe all governing codes and ordinances.

Electrical ground is required. See Electrical requirements.

Do Not install dishwasher over carpeted flooring.

Do Not pinch power supply cord or kink power supply cable between dishwasher and cabinet.

Check location where dishwasher will be installed. The location should provide:

- Easy access to water, electricity and drainage lines.
- Convenient loading – the best position is left or right of kitchen sink.
- Opening that is square for proper dishwasher operation and appearance.
- Cabinet front that is perpendicular to floor.
- Protection so that water inlet valve and drain cannot freeze.
- 1/4" minimum clearance between motor and flooring to prevent the motor from overheating.

Proper electrical, drain and water supply lines must be available or must be installed as specified within shaded area. See Electrical, Water and Drain requirements. Plumbing and wiring should not cross in front of motor or dishwasher legs.

Corner location 2" (5 cm) minimum door to cabinet or wall

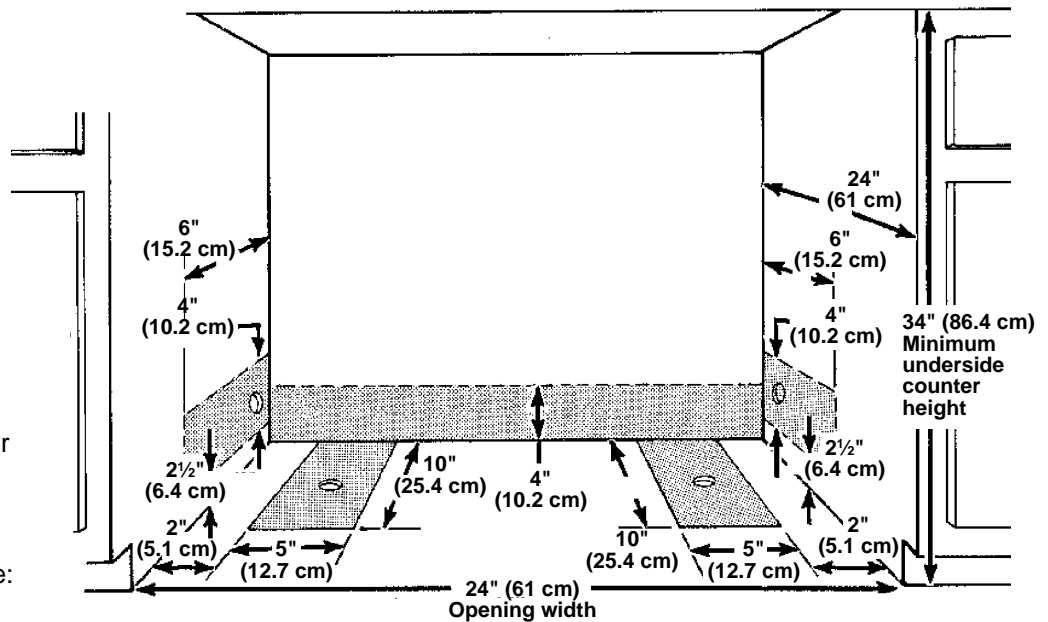


Figure 1

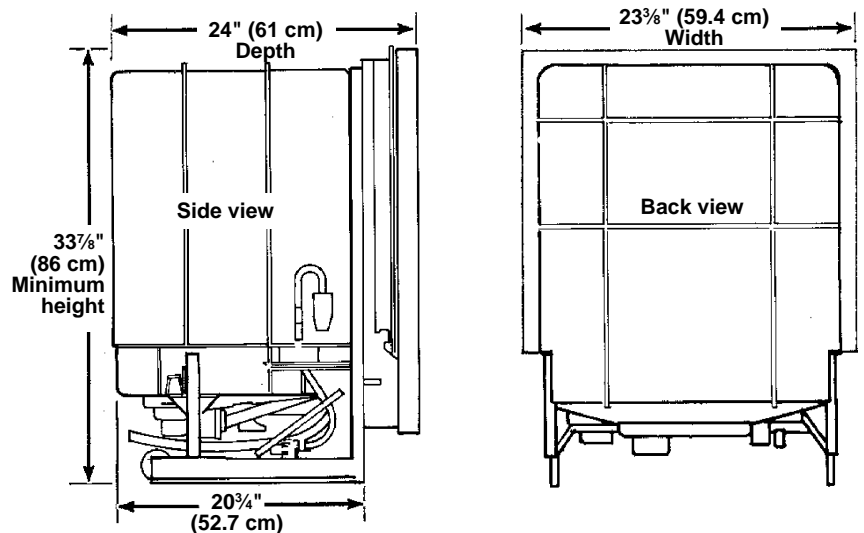


Figure 2

⚠ WARNING

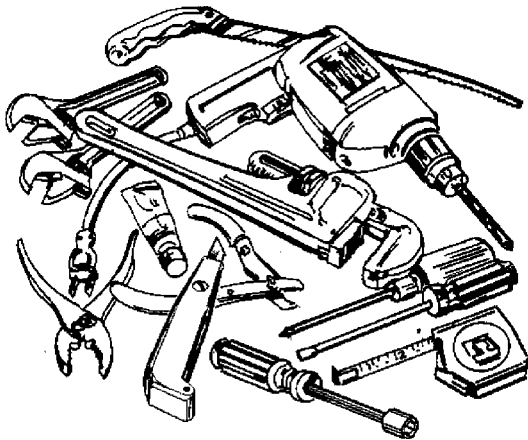


Electrical Shock Hazard

Enclose dishwasher completely on the top, sides, and rear.
Failure to do so can result in death or electrical shock.

Read and follow the "Electrical requirements," "Water requirements," and "Drain requirements" sections before installing dishwasher.

Tools and materials needed for installation:



- electric drill
- Phillips screwdriver
- 2 adjustable wrenches
- flat-blade screwdriver
- measuring tape
- pliers
- wire stripper and utility knife
- 5/16" and 1/4" nut driver or hex socket
- pipe wrench
- key hole saw
- tubing cutter (not shown)
- pipe-joint compound
- 3 twist-on wire connectors for 16-gauge wire
- 90° elbow with 3/8" N.P.T. external threads on one end. The size of the other end must fit your water supply line.

Parts supplied for installation:

- 2 drain hose clamps
- drain hose
- 2 No. 10 x 1/2" Phillips-head screws

Electrical requirements

⚠ WARNING



Electrical Shock Hazard

Electrically ground dishwasher.
Connect ground wire to green ground connector in terminal box.
Do not use an extension cord.
Failure to do so can result in death, fire, or electrical shock.

A 120-volt, 60 Hz, AC only, 15- or 20-ampere, fused, electrical supply is required. Time-delay fuse or circuit breaker is recommended. It is recommended that a separate circuit serving only this appliance be provided. The dishwasher must be connected with copper wire only.

Wiring methods

Pick one method to follow depending upon your dishwasher and local codes.

A. Direct wire method (cable connecting dishwasher to a junction box)

Recommended grounding method

1. Disconnect power.
2. Run flexible, armored or nonmetallic sheathed, copper cable (with grounding wire) from the fused disconnect, circuit breaker or junction box through the 3/4" cabinet hole to the dishwasher location. The cable must extend 24" from the back wall.

The hole cut through a wood cabinet should be sanded until smooth.

The hole cut through a metal cabinet must be covered with a grommet (Part No. 302797), available from your dealer or parts supplier.

A U.L.-listed strain relief or conduit connector must be installed at each end of the power supply cable (at the dishwasher and at the junction box). Wire sizes (COPPER WIRE ONLY) must conform with the rating of the dishwasher.

(continued)

3. Remove the dishwasher terminal box cover. Connect the white and black wires of the power supply cable to the white and black leads in the terminal box with twist-on wire connectors. (See Figure 3.)

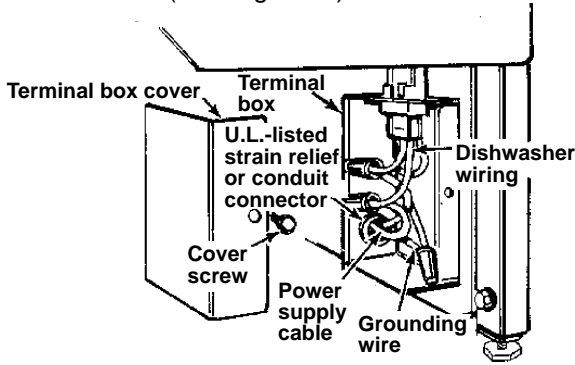


Figure 3

4. Connect the power supply grounding wire to the green, grounding wire inside the terminal box with a twist-on wire connector. (See Figure 3.)
5. Replace terminal box cover.

B. Power supply cord method (connecting dishwasher to outlet)

Local codes may permit the use of a U.L.-listed, flexible, three-conductor, power supply cord terminated with a three-prong, grounding-type plug.

It is recommended that cord kit, Part No. 4317824, available from your dealer or parts supplier, be used. If the cord kit is not available locally, the flexible cord used must be a U.L.-listed, three-conductor, 16-gauge cord that meets the National Electrical Code ANSI/NFPA 70-latest edition, and all local codes and ordinances. The length of the cord must not exceed six feet. It must be routed so that it does not touch the dishwasher motor or the lower portion of the dishwasher tub. A strain relief (Part No. 596171), available from your dealer or parts supplier, or a similar part must be used to secure the flexible cord to the dishwasher frame or terminal box. The flexible cord must be plugged into a mating, three-prong, grounding-type wall receptacle grounded in accordance with the National Electrical Code ANSI/NFPA 70-latest edition, and all local codes and ordinances. Follow the instructions packaged with the flexible cord.

Dishwashers equipped with a power supply cord have a 3-prong, grounding plug. It must be plugged into a mating, 3-prong, grounding-type receptacle (See electrical requirements, page 3). If a mating wall receptacle is not available, it is the personal responsibility and obligation of the customer to have a properly grounded, 3-prong, wall receptacle installed by a qualified electrician. (See Figure 4.)

Recommended grounding method

⚠ WARNING

Electrical Shock Hazard

Electrically ground dishwasher.

Connect ground wire to green ground connector in terminal box.

Do not use an extension cord.

Failure to do so can result in death, fire, or electrical shock.

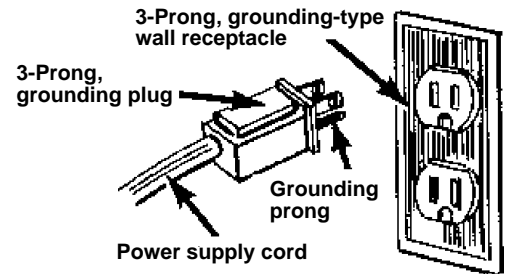


Figure 4

(continued)

1. Have a 3-prong, grounding-type, wall receptacle available or installed by a qualified electrician on the rear or side wall of a cabinet next to the dishwasher opening. (See Figure 1, Page 2.)

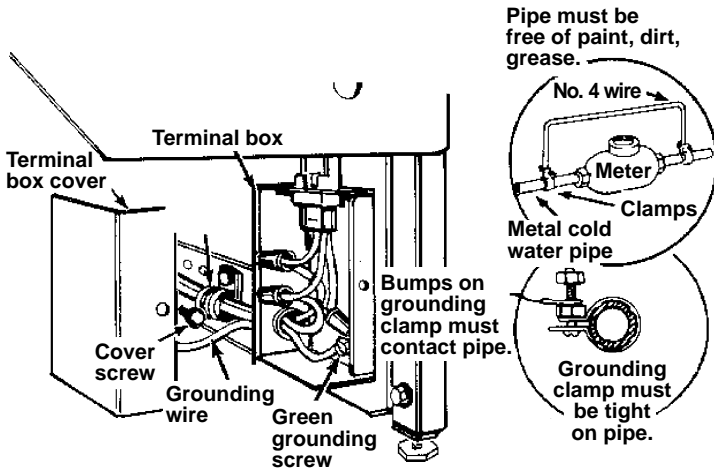


Figure 5

2. For added personal safety, use a separate grounding wire. Remove terminal box cover. Feed grounding wire through the hole in the terminal box where the power cord enters. Connect the separate grounding wire to the green, grounding screw inside the terminal box. Connect the other end of the separate grounding wire to a grounded, metal cold water pipe*. (See Figure 5.)

3. Replace terminal box cover.

Do Not connect to electrical supply until appliance is permanently grounded.

Do Not ground to a gas supply pipe or hot water pipe.

*Grounded, cold water pipe must have metal continuity to electrical ground and not be interrupted by plastic, rubber or other insulating connectors such as hoses, fittings, washers or gaskets (including water meter or pump). Any insulating electrical connector should be jumped, as shown, with a length of No. 4 copper wire securely clamped to bare metal at both ends.

If power cord cannot be used...

When local codes do not permit use of a power cord with an undercounter dishwasher, the power cord must be removed and dishwasher wired directly. **IF THE POWER SUPPLY CORD IS REMOVED, THE DISHWASHER MUST BE CONNECTED WITH COPPER WIRE ONLY.**

1. Disconnect power.
2. Remove terminal box cover.

3. Remove twist-on wire connectors from the power cord wires and grounding wires. (See Figure 6.)

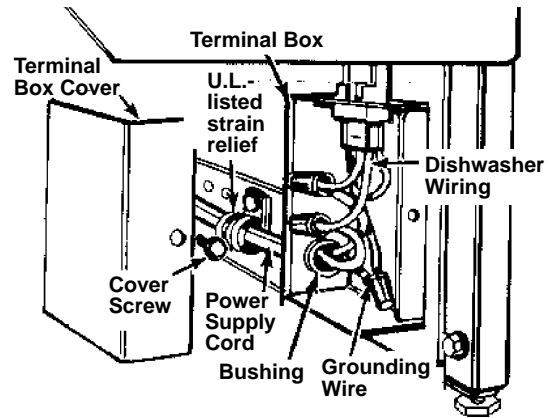


Figure 6

4. Disconnect the strain relief (behind the terminal box) from the dishwasher frame.
5. Remove power cord, strain relief and terminal box bushing.
6. See "A. Direct wire method," pages 3 and 4, for further instructions.

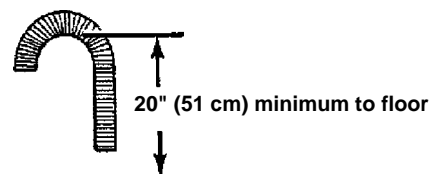
Water requirements

The hot water line to the dishwasher must provide between 15-120 PSI water pressure. **The hot water heater should be set to deliver 140°F water temperature to the dishwasher for best results.**

Use 3/8" O.D. copper tubing or 1/2" plastic tubing minimum inlet line. Dishwasher inlet valve has 3/8" internal pipe threads.

Drain requirements

The drain hose **MUST** have a high drain loop 20" minimum **ABOVE FLOOR** to prevent backflow or water siphoning out of dishwasher during operation.



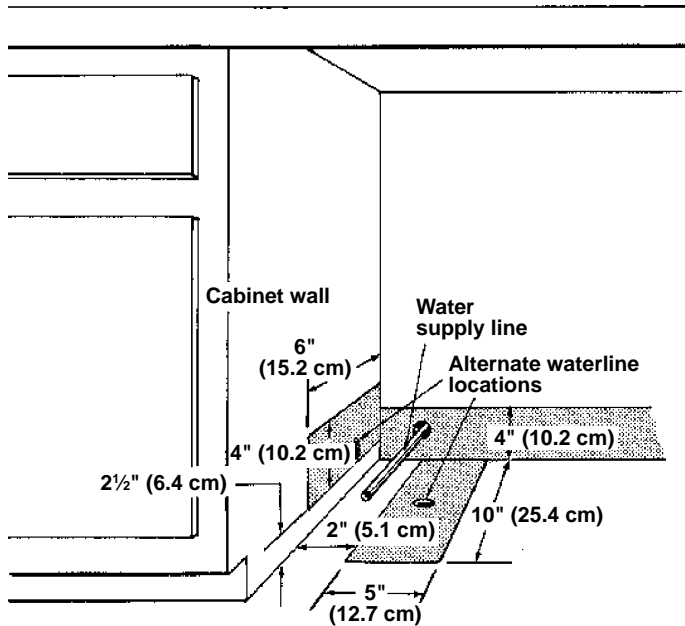
NOTE: An air gap **MUST BE USED** in the high drain loop if the drain hose is connected to house plumbing lower than 20" above the floor.

(continued)

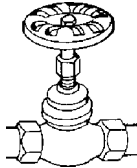
Drain hose, supplied, meets AHAM DW-1 test standards. Cut 1½" hole in cabinet wall for drain hose. Additional drain line, ½" I.D. min. and no longer than 20" (51 cm), can be used if needed.

Now start...

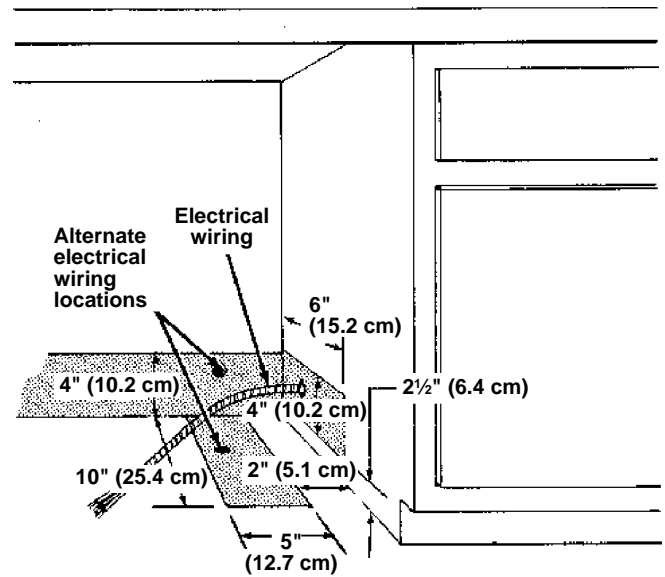
with dishwasher in kitchen.



1. Rough in water line to the dishwasher cabinet opening using one of the routing methods shown. Cut ½" (1.3 cm) hole or larger in cabinet wall for water line.
2. Install a shut-off valve in the water line where it can be easily used.



3. Flush water line into a bucket to get rid of any particles that may clog inlet valve. Turn shut-off valve to the "OFF" position.

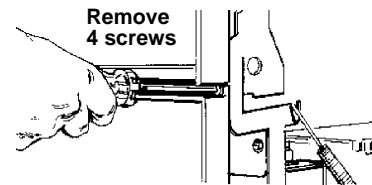


4. Cut a 1½" (3.8 cm) maximum hole for power supply cord or a ¾" (1.9 cm) hole for direct wiring in the cabinet or floor for the electrical wiring to pass through. If this hole is cut in a wood cabinet, sand the hole until it is smooth. If the hole is cut in a metal cabinet, the hole must be covered by a grommet (Part No. 302797), available from your dealer or parts supplier.

Install wall receptacle on rear or side wall of a cabinet next to dishwasher opening.

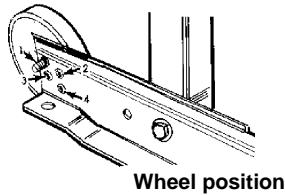
Install a ¾ inch U.L. - listed strain relief to connect the flexible armored nonmetallic sheathed, copper cable (with grounding wire) to the fused disconnect, circuit breaker or junction box. Run the cable through the hole in the cabinet opening. The cable should extend 24" (61 cm) from the back wall.

5. Remove the four (4) screws attaching the access panel and toe panel to the dishwasher using a ¼" hex socket, nut driver or Phillips-head screwdriver. Remove the access panel and toe panel.



(continued)

6. The dishwasher is shipped to be installed in a cabinet opening with a 34" (86 cm) height. Measure height of cabinet opening from the front edge of the underside of cabinet opening to floor. Check chart for that height opening. Put the wheels in the required position. The dishwasher should be installed as level as possible from front to back.

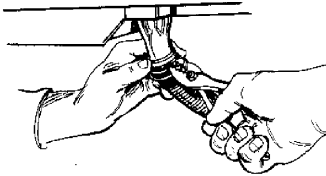


Minimum Cutout Height	Wheel Position (See Illustration)	Number Of Turns To Preadjust Levelers
33 ⁷ / ₈ " (86 cm)	1	0
34 ¹ / ₁₆ " (86.5 cm)	2	3
34 ¹ / ₄ " (87 cm)	3	6
34 ⁷ / ₁₆ " (87.5 cm)	4	9

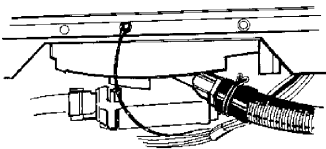
For additional height:

1. Add shims under the wheels.
2. Turn front levelers (each turn adds 1/16" in height). Loosen and then turn front levels the number of times indicated in the chart.

You may have this type drain connector . . .

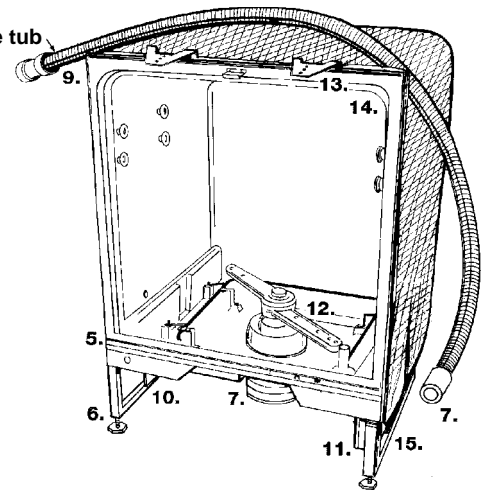


. . . or this type.



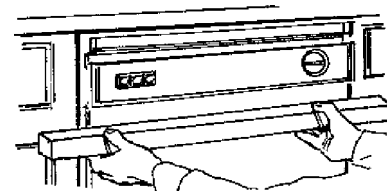
7. Put spring-type drain hose clamp over connector. Push drain hose onto connector. Use pliers to open and slide clamp over drain hose and connector. Check for good fit. If screw-type clamp is supplied instead of spring-type clamp, use a 5/16" nutdriver to tighten securely.

Drain hose shipped inside tub



Numbers correspond to steps.

8. Latch the dishwasher door. Push dishwasher into place, sliding drain hose through hole cut in cabinet opening.



Do Not pinch power supply cord or kink power supply cable between dishwasher and cabinet.

Check that front leveling legs are firmly against the floor. Align dishwasher door with cabinet doors so that spacing is the same on both sides.

9. Connect drain hose to an air gap or waste tee using one of the recommended or alternate methods.

Cut hose connector to fit if needed



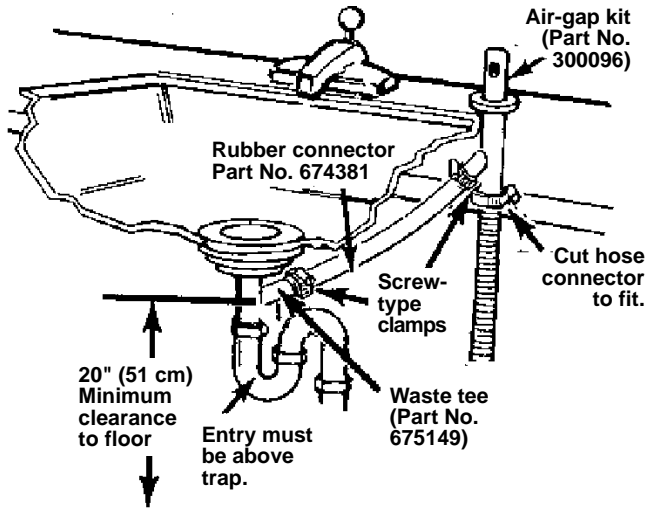
If connecting drain hose to an air gap or waste tee, cut end of drain hose as shown.

Secure drain hose with screw-type hose clamp provided. Do Not cut drain hose when connecting to a 7/8" disposer connector. **Knock out plug from disposer inlet.** Secure drain hose with hose clamp provided. DO NOT cut ribbed section to shorten drain hose.

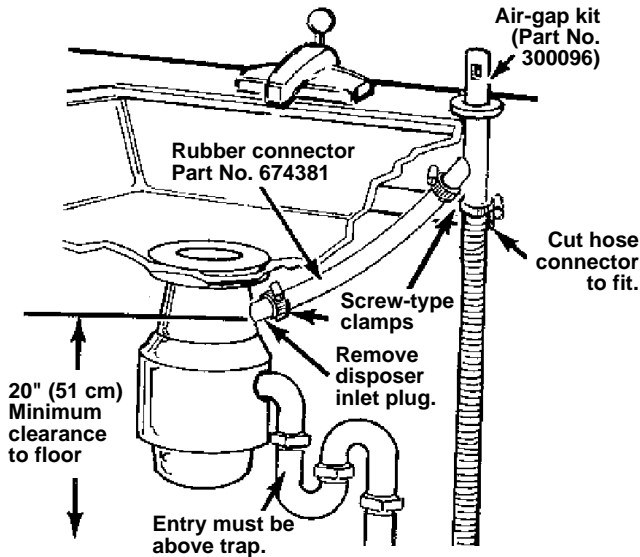
(continued)

Recommended drain hose connection methods:

Drain hose to air gap to waste tee.



Drain hose to air gap to disposer.



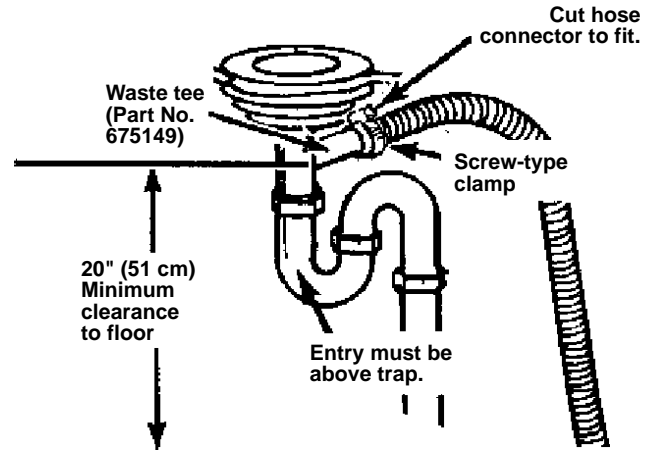
Install air gap (Part No. 300096)* according to kit instructions. If other brands of air gaps are used, they should be checked to make sure they allow for the same water flow. Connect the air gap to a waste tee (Part No. 675149)* or disposer using a rubber connector (Part No. 674381)*.

Most disposers have $\frac{7}{8}$ " connectors or special connectors are available at plumbing supply houses.

Be sure to remove the disposer plug before connecting the drain hose.

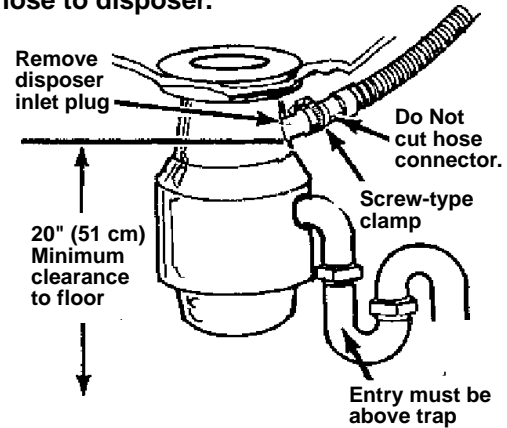
Alternate drain hose connection methods:

Drain hose to waste tee.



If local plumbing codes permit, dishwasher drain hose may be connected directly to waste tee (Part No. 675149)*. The waste tee connection **MUST** be made ahead of the trap and a minimum of 20 inches above the floor.

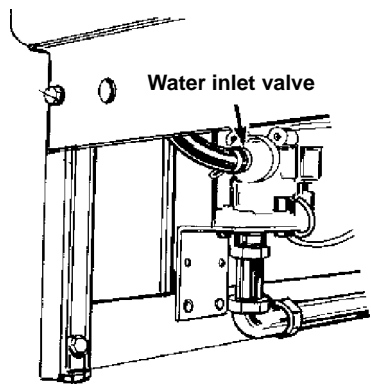
Drain hose to disposer.



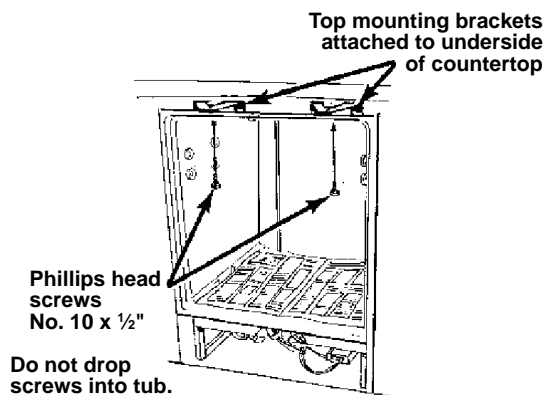
If local plumbing codes permit, dishwasher drain hose may be connected directly to a disposer. Most disposers have $\frac{7}{8}$ " connectors or special connectors are available at plumbing supply houses. **Be sure to remove the disposer plug before connecting the drain hose.**

*All parts are available through your dealer.

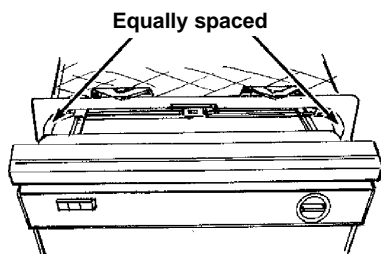
(continued)



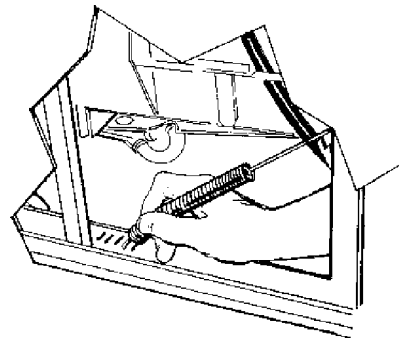
10. Connect water pipe or tubing directly to water inlet valve. Do Not run pipe or tubing across front of motor or dishwasher legs. Turn on water supply and check for leaks.
11. Check electrical requirements. Be sure to have correct electrical supply and recommended grounding method. See pages 4 and 5 for proper connections.



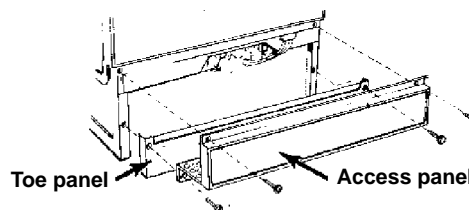
12. Open dishwasher door and remove all shipping materials. Remove bottom rack. Place a newspaper or large sheet of paper over bottom of dishwasher to protect the pump area when securing dishwasher to countertop.
13. Secure dishwasher to countertop with two (2) No. 10 x 1/2" Phillips-head screws from parts bag. You **MUST** secure dishwasher to keep it from tilting when door is opened or closed. **Do Not drop screws in dishwasher tub. If screws should fall into the pump, pump and motor failure may occur.** Remove paper from bottom of dishwasher.
14. Open door approximately 3" (7.6 cm) and check for equal spacing between inner door and tub sides. If necessary, loosen screws that fasten dishwasher to countertop and shift tub. Tighten screws.



15. Check door for proper operation. Door should close easily without slamming and open with its own weight. If necessary, close door and adjust both door springs by moving spring ends to different holes in base.



16. Take a few minutes to read the Use and Care Guide to fully understand your new dishwasher.
17. Check that all parts have been installed and no steps were skipped. Check that you have all the tools you started with.
18. Reconnect power or plug in dishwasher.
19. Start dishwasher and allow it to complete a cycle. Check that dishwasher is working properly and that there are no water leaks.
20. Replace access panel and toe panel. The toe panel must be positioned to contact floor.



21. If changing color of door and access panel or installing custom panels, follow the "To change door and access panel color" instructions, pages 9, 10 and 11.

Congratulations!

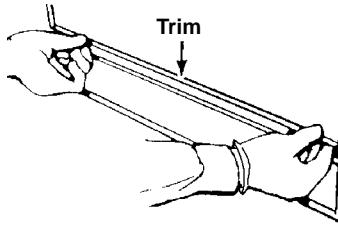
You have just finished installing your new dishwasher. Keep Installation Instructions available for easy reference.

(continued)

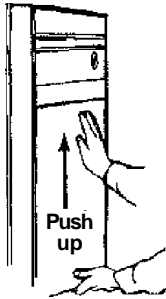
To change door color panel

(For models so equipped)

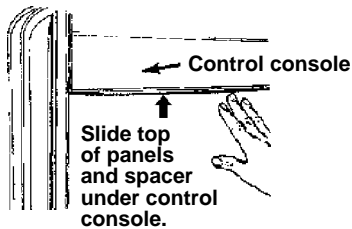
1. Push up at each end of the trim piece at bottom of door panel. Then pull trim piece toward you. Set trim piece aside.



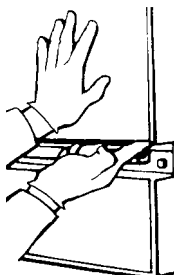
2. Use one hand to push door panel(s) up. Use other hand to bow bottom edge of door panel(s). Remove panel from door. Do Not remove spacer panel.



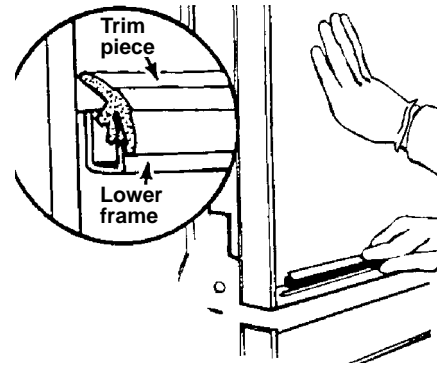
3. Bow the panel with desired color facing out and insert into door frame. Slide top of panel(s) and spacer panel up under edge of control console.



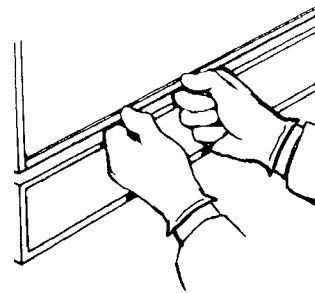
4. Lift door panel(s) and spacer panel up and hold with one hand. Check that both color panel(s) and spacer panel are above the lower frame.



5. Insert trim piece to cover lower edge of frame. Snap trim piece into place.



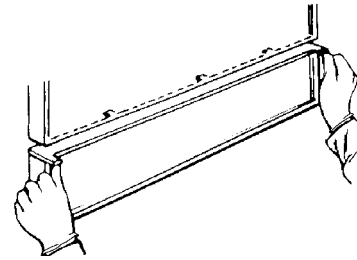
6. Press down firmly along the length of trim piece to check that trim piece is secure.



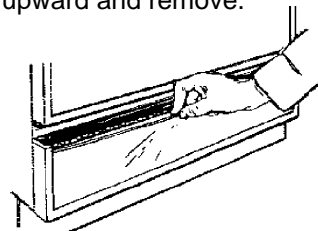
To change access color panel

(For models so equipped)

1. Push up at each end of the access panel top trim with thumbs to unsnap trim. Remove the top trim and set it aside.

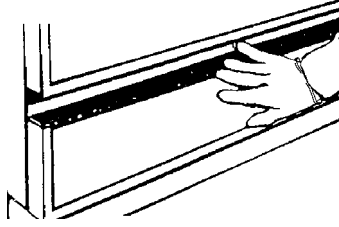


2. Hold the top of the color panel and bow it slightly. Slide color panel upward and remove.



(continued)

3. Bow color panel with desired color facing out and insert into access panel frame. Slide color panel down into groove along bottom of access panel frame.

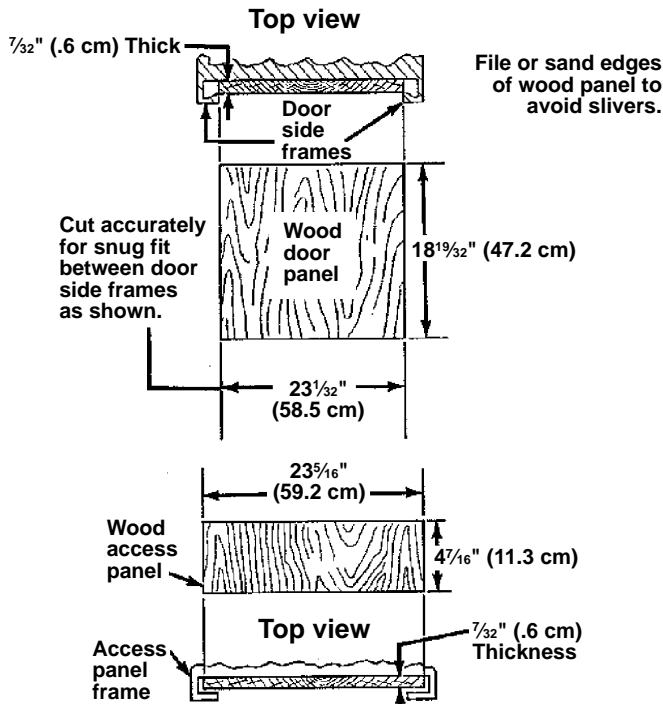


4. Line up ends of top trim with sides of access panel frame. Slide top trim in while tilting the back of trim down. Snap front of top trim down to cover the top edge of access panel.

To install customized wood panels in door and access panel

Dishwasher door panel and access panel (if model is so equipped) can be customized to match wood cabinets to match wood cabinets. A $\frac{7}{32}$ " inch thick wood panel would need to be cut to the dimensions as specified in Step 1. Wood panels thicker than $\frac{7}{32}$ " wood need to be cut to a width of 23" and the top and bottom routed to $\frac{7}{32}$ " thickness. Follow dimension specifications carefully.

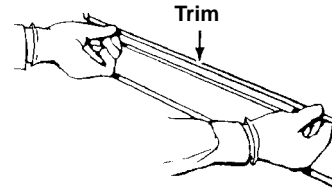
It is recommended that a cabinetmaker cut the customized front panel because of the precise cuts needed.



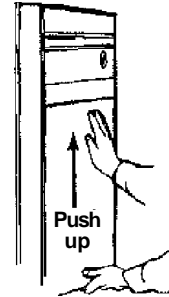
1. Cut wood for door and access panel using specified dimensions. Make sure wood grain matches direction of cabinet wood grain.
2. File or sand edges of wood panels.

Dishwasher is subject to some humidity. Cover both sides and edges of wood panels with moisture resistant sealer.

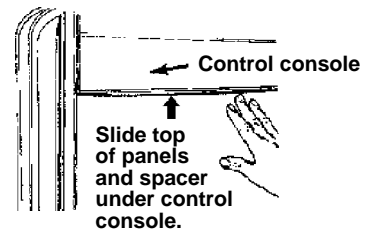
3. Push up at each end of the trim piece at bottom of door panel. Then pull trim piece toward you. Set trim piece aside.



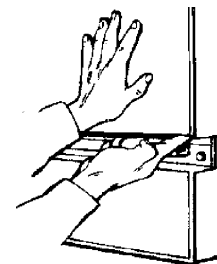
4. Use one hand to push door panel(s) and spacer panel up. Use other hand to bow bottom edge of door panel(s). Remove door panel(s) and spacer panel from door. Save door panel(s) and spacer panel for future use.



5. Insert top of wood panel between sides of frame. Slide top of panel upward under bottom edge of control console. Press lower portion of wood panel between sides of door frame.

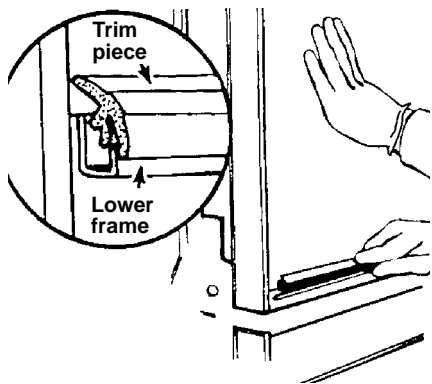


6. Lift door panel up and hold with one hand.

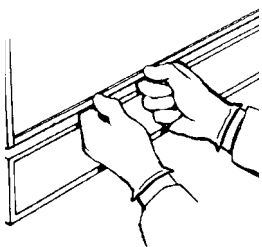


(continued)

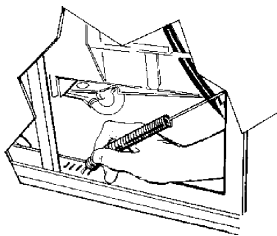
7. Insert trim piece to cover lower edge of frame. Snap trim piece into place.



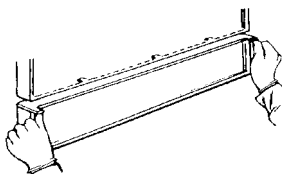
8. Press down firmly along the length of the trim piece to check that trim piece is secure. Slide door panel down.



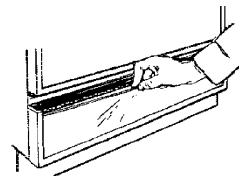
9. Open and close dishwasher door. Door should close easily without slamming and open with its own weight. If door springs need adjusting, close door and move door spring ends to different holes in dishwasher base.



10. Push up each end of the access panel top trim with thumbs to unsnap. Remove the top trim and set trim aside.

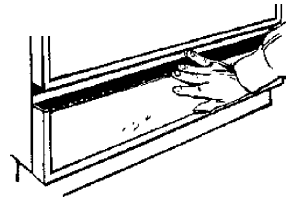


11. Hold the top of the color panel(s) and bow slightly. Slide color panel(s) and spacer panel upward and remove. Save color panel(s) and spacer panel for future use.

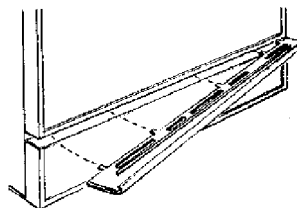


12. Insert wood panel into access panel. Slide panel down into groove along bottom of access panel.

It may be necessary to remove top mounting screws and tilt access panel forward to install some wood panels.



13. Line up ends of top trim with sides of access panel. Slide top trim in while tilting the back of trim down. Snap front of top trim down to cover the top edge of access panel.



If the dishwasher does not start...

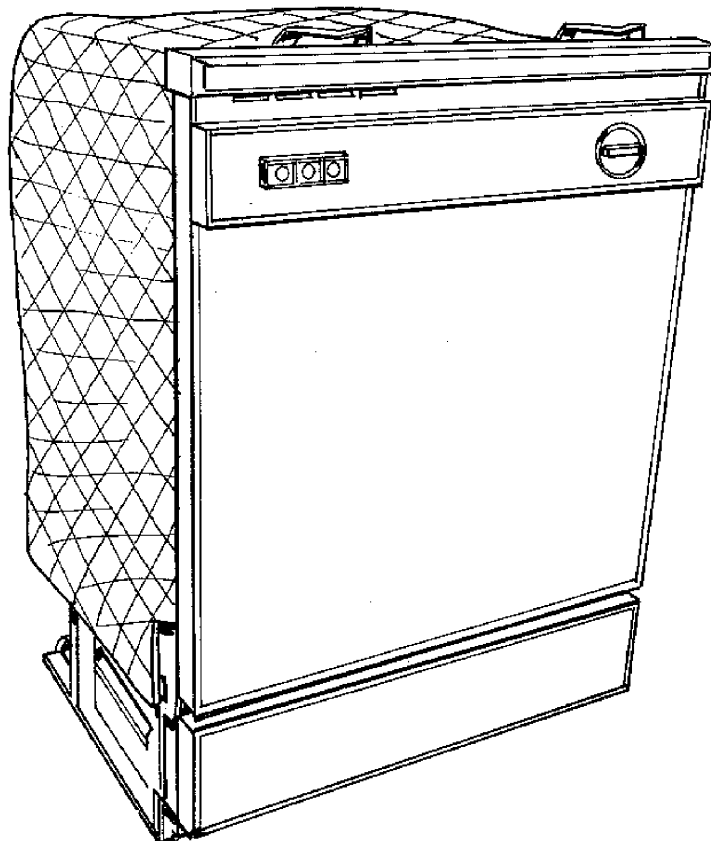
Check these points:

- Is the door closed tightly and latched securely?
- Has the cycle been set correctly to start the dishwasher?
- Is the water turned on?
- Has a house fuse blown or circuit breaker tripped?
- Has electrical power been interrupted?

NOTE: If the motor has stopped because of overload, it will automatically reset itself within a few minutes. If after checking these points the dishwasher still does not run or complete a cycle, call for service.

INSTRUCTIONS D'INSTALLATION

Lave-vaisselle encastré



IMPORTANT : Lire attentivement ces instructions et les conserver.

IMPORTANT :

Installateur : Donner ces instructions d'installation au propriétaire.

Propriétaire : Garder ces instructions d'installation pour s'y reporter ultérieurement.

Conserver ces instructions d'installation pour que l'inspecteur du service local de l'électricité puisse les utiliser.

(suite)

⚠ AVERTISSEMENT



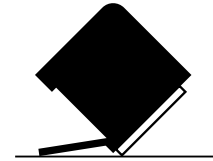
Risque de choc électrique

Déconnecter la source de courant électrique avant l'entretien.

Replacer tous les panneaux avant de faire la remise en marche.

Le non-respect de ces instructions peut causer un décès ou un choc électrique.

⚠ AVERTISSEMENT



Risque de basculement

Ne pas utiliser le lave-vaisselle jusqu'à ce qu'il soit complètement installé.

Ne pas appuyer sur la porte ouverte.

Le non-respect de ces instructions peut causer des blessures graves ou des coupures.

Avant de commencer...

L'installateur doit assumer la responsabilité de cette installation. S'assurer que l'on a tout ce dont on a besoin pour une bonne installation. Le client a la responsabilité de s'adresser à un installateur qualifié pour s'assurer que les branchements de la plomberie et de l'électricité seront adéquats et conformes aux décrets et aux codes du gouvernement fédéral et de la municipalité.

IMPORTANT : Respecter tous les décrets et codes en vigueur.

Le circuit électrique doit obligatoirement être mis à la terre. Se reporter à «Branchement électrique».

Ne pas installer le lave-vaisselle sur un plancher recouvert de tapis.

Ne pas pincer ni coincer le câble ou le cordon électrique entre le lave-vaisselle et le placard.

Vérifier l'emplacement où le lave-vaisselle sera installé. Cet emplacement doit :

- permettre d'accéder facilement à l'électricité et à la conduite d'arrivée d'eau et à l'évacuation des eaux usées;
- permettre d'assurer un chargement pratique – le meilleur emplacement est à droite ou à gauche de l'évier;
- avoir une ouverture bien d'équerre pour que le lave-vaisselle fonctionne bien et s'ajuste bien;
- avoir un avant de placard perpendiculaire avec le plancher;
- offrir une protection contre le gel de la valve d'arrivée d'eau et de l'évacuation des eaux usées;
- assurer un dégagement minimum de 1/4 de pouce entre le moteur et le plancher pour que le moteur ne surchauffe pas.

L'électricité, des conduites d'arrivée d'eau et d'évacuation des eaux usées doivent être disponibles ou installées conformément à la zone hachurée. Se reporter à «Branchement électrique», «Branchement de la conduite d'arrivée d'eau» et «Branchement de l'évacuation des eaux usées». Les tuyaux de plomberie et le câblage ne doivent pas passer à l'avant du moteur ni des pieds du lave-vaisselle.

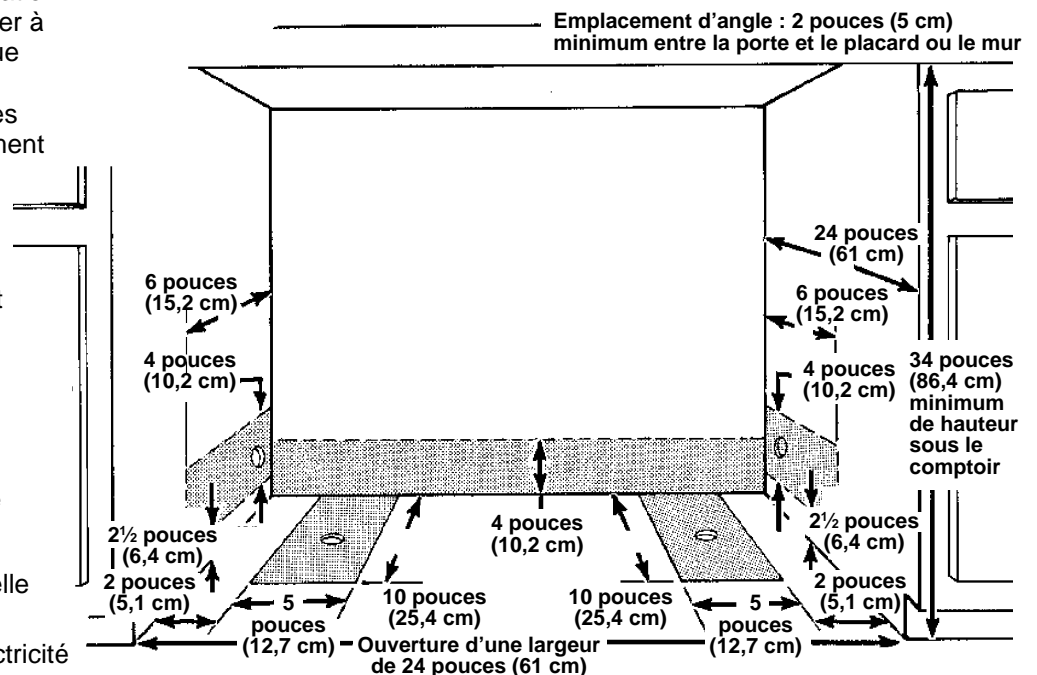


Figure 1

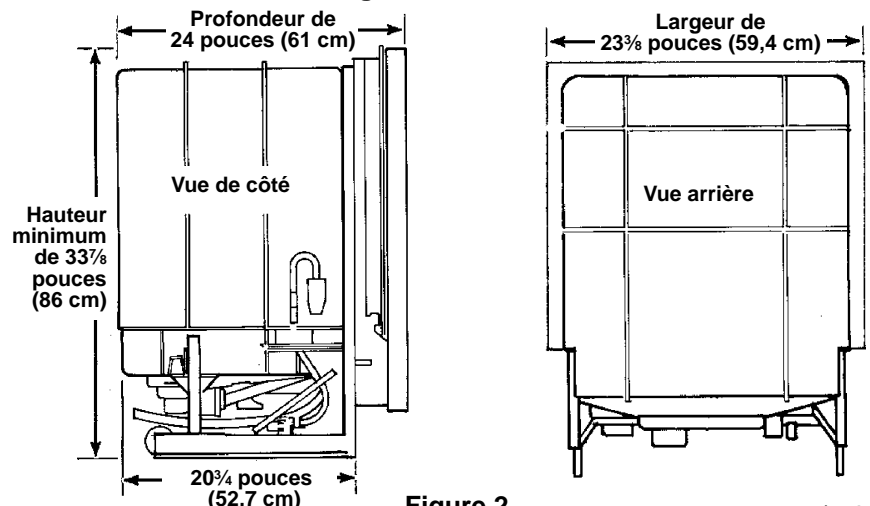


Figure 2

(suite)

⚠️ AVERTISSEMENT

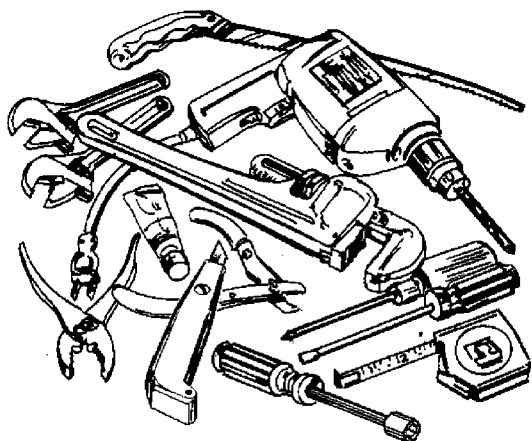


Risque de choc électrique

Le dessus, les côtés et l'arrière du lave-vaisselle doivent être complètement encastrés. Le non-respect de cette instruction peut causer un décès ou un choc électrique.

Avant de procéder à l'installation du lave-vaisselle, lire et suivre toutes les sections intitulées «Branchement électrique», «Branchement de la conduite d'arrivée d'eau» et «Branchement de l'évacuation des eaux usées».

Outils et fournitures dont on aura besoin pour l'installation du lave-vaisselle :



- Une perceuse électrique
- Un tournevis Phillips
- 2 clés à molette
- Un tournevis à lame plate
- Un ruban à mesurer
- Une paire de pinces
- Des pinces à dénuder ou un couteau utilitaire
- Une douille à six pans ou un tourne-écrou de $\frac{5}{16}$ de pouce et $\frac{1}{4}$ de pouce
- Une clé à tuyau
- Une scie emporte-pièces (scie-cloche)
- Un coupe-tube (pas illustré)
- De la pâte pour raccords filetés
- 3 connecteurs pour fils de calibre 16
- Un coude à 90° avec des filets externes de $\frac{3}{8}$ de pouce NPT d'un côté. Le diamètre de l'autre côté du coude doit s'adapter dans la conduite d'arrivée d'eau.

Pièces fournies pour l'installation :

- 2 colliers de tuyau d'évacuation des eaux usées
- Un tuyau d'évacuation des eaux usées
- 2 vis à empreinte cruciforme n° 10 x $\frac{1}{2}$ pouce

Branchement électrique

⚠️ AVERTISSEMENT



Risque de choc électrique

Relier le lave-vaisselle à la terre d'une méthode électrique.

Brancher le fil relié à la terre au connecteur vert relié à la terre dans la boîte de la borne.

Ne pas utiliser un câble de rallonge.

Le non-respect de ces instructions peut causer un décès, un incendie ou un choc électrique.

Une alimentation en courant alternatif de 120 volts, 60 Hz, de 15 ou de 20 ampères et protégée par un fusible est requise. Il est recommandé d'utiliser un fusible à fusion temporisée ou un disjoncteur. Il est également recommandé qu'un circuit séparé alimente le lave-vaisselle. Seul un câble à conducteurs en cuivre doit être branché sur ce lave-vaisselle.

Méthodes de câblage

En fonction du modèle de lave-vaisselle et des codes de la municipalité, choisir une des méthodes suivantes.

A. Méthode de câblage direct (câble branché entre le lave-vaisselle à une boîte de jonction)

Méthode de mise à la terre recommandée

1. Couper le courant.
2. Amener un câble souple blindé ou à gaine non métallique et à conducteurs de cuivre (avec fil de mise à la terre) du sectionneur à fusible, du disjoncteur ou de la boîte de jonction jusqu'au placard du lave-vaisselle en le faisant passer par le trou de $\frac{3}{4}$ de pouce. Ce câble doit dépasser de 24 pouces du mur arrière.

Le trou découpé dans le placard en bois devra être poncé pour que ses bords soient bien lisses.

Le trou découpé dans un placard métallique devra être revêtu d'une bague passe-fils (n° de pièce 302797) que l'on pourra se procurer auprès d'un marchand ou d'un fournisseur de pièces.

Un raccord de conduit ou un réducteur de tension de câble homologué U.L. devra être posé à chaque extrémité du câble d'alimentation en courant (côtés lave-vaisselle et boîte de jonction). Le diamètre des fils (QUI NE DOIVENT ÊTRE QU'EN CUIVRE) doit être conforme aux caractéristiques électriques du lave-vaisselle.

- Déposer le couvercle de la boîte de connexion du lave-vaisselle. Brancher les fils noir et blanc du câble d'alimentation en courant sur les fils noir et blanc de la boîte de connexion du lave-vaisselle à l'aide de connecteurs de fils à visser. (Voir la Figure 3.)

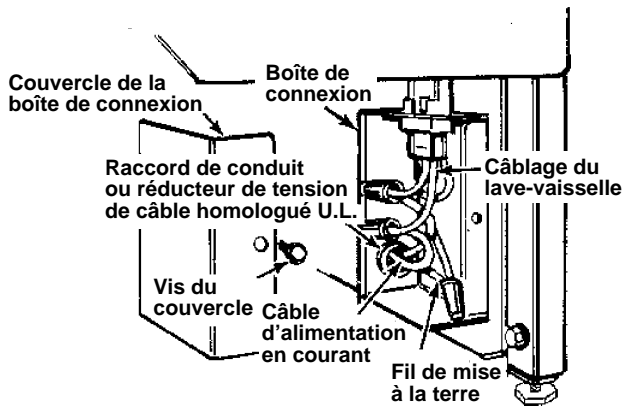


Figure 3

- Brancher le fil de mise à la terre du câble d'alimentation en courant sur le fil vert de mise à la terre qui se trouve à l'intérieur de la boîte de connexion du lave-vaisselle à l'aide d'un connecteur de fils à visser. (Voir la Figure 3.)
- Reposer le couvercle de la boîte de connexion du lave-vaisselle.

B. Méthode avec cordon électrique (branchement du lave-vaisselle dans une prise de courant)

Les codes de la municipalité peuvent permettre le branchement du lave-vaisselle avec un cordon électrique souple à trois conducteurs homologué U.L. se terminant par une fiche à trois broches dont une de mise la terre.

Il est recommandé d'utiliser un nécessaire de cordon électrique, n° de pièce 4317824, que l'on pourra se procurer auprès d'un marchand ou de tout fournisseur de pièces. Si on ne peut pas se procurer localement un nécessaire de cordon électrique, le cordon électrique souple que l'on utilisera devra être un cordon électrique à trois conducteurs de calibre 16, homologué U.L., conforme à la dernière édition de la norme ANSI/NFPA du National Electrical Code, du Code canadien de l'électricité et à tous les décrets et codes de la municipalité. La longueur du cordon électrique ne doit pas dépasser six pieds. Faire passer le cordon électrique de façon qu'il ne touche pas le moteur ni la partie inférieure de la cuve du lave-vaisselle. Un réducteur de tension de câble (n° de pièce 596171) ou une pièce identique que l'on pourra se procurer auprès d'un marchand ou d'un fournisseur de pièces doit être utilisé pour attacher le cordon souple sur le cadre ou la boîte de connexion du lave-vaisselle. Le cordon électrique souple doit être branché dans une prise de courant murale à trois trous dont un de mise à la terre, conformément à la dernière édition de la norme 70 de l'ANSI/NFPA du National Electrical Code, du Code canadien de l'électricité et à tous les décrets et codes de la municipalité. Suivre les instructions indiquées sur l'emballage du cordon électrique souple.

Le cordon électrique des lave-vaisselle qui en sont équipés est muni d'une fiche à 3 broches, dont une de mise à la terre. Cette fiche doit être branchée dans une prise de courant correspondant à 3 trous dont un de mise à la terre (voir «Installations électriques», page 3). Si une prise de courant correspondant à la forme de la fiche du cordon électrique n'est pas disponible, le client a la responsabilité et l'obligation d'en faire poser une adéquate à 3 trous dont un de mise à la terre par un électricien qualifié. (Voir la Figure 4.)

Méthode de mise à la terre recommandée

⚠ AVERTISSEMENT

Risque de choc électrique

Relier le lave-vaisselle à la terre d'une méthode électrique.

Brancher le fil relié à la terre au connecteur vert relié à la terre dans la boîte de la borne.

Ne pas utiliser un câble de rallonge.

Le non-respect de ces instructions peut causer un décès, un incendie ou un choc électrique.

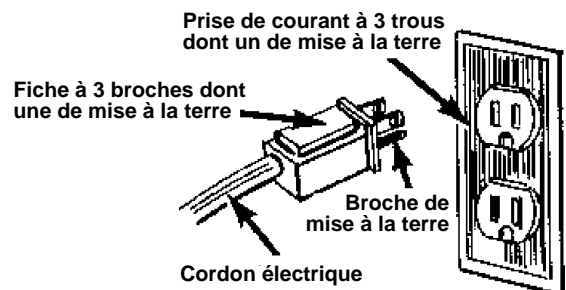


Figure 4

1. Une prise de courant à 3 trous dont un de mise à la terre doit être disponible ou installée par un électricien qualifié sur le mur arrière ou le côté du placard, juste à côté de l'ouverture pour le lave-vaisselle. (Voir la Figure 1, page 2.)

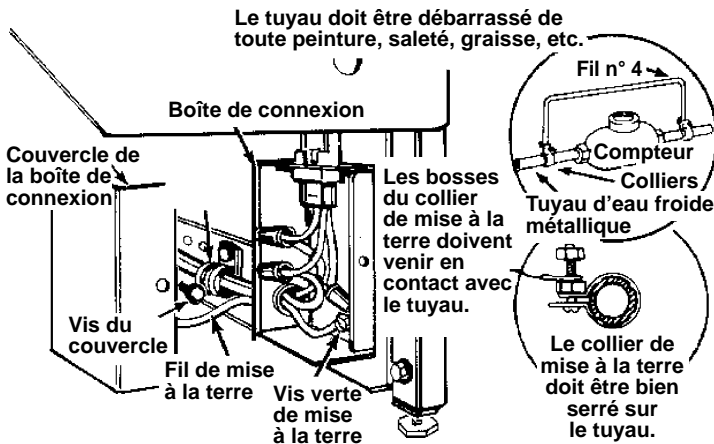


Figure 5

2. Pour plus de sécurité, utiliser un fil séparé de mise à la terre. Déposer le couvercle de la boîte de connexion du lave-vaisselle. Faire passer le fil de mise à la terre par un des trous de la boîte de connexion, où le cordon électrique pénètre. Brancher le fil de mise à la terre séparé sur la vis verte de mise à la terre qui se trouve à l'intérieur de la boîte de connexion. Brancher l'autre extrémité du fil séparé de mise à la terre sur un tuyau d'eau froide métallique mis à la terre*. (Voir la Figure 5.)

3. Reposer le couvercle de la boîte de connexion.

Ne pas brancher le lave-vaisselle sur le courant électrique tant qu'il n'est pas mis à la terre en permanence.

Ne pas mettre le lave-vaisselle à la terre sur un tuyau d'eau chaude ni sur un tuyau d'arrivée de gaz.

*Le tuyau d'eau froide de mise à la terre doit avoir une continuité métallique jusqu'à la terre et ne pas être interrompu par des raccords en plastique, en caoutchouc ou isolants, comme, par exemple, des tuyaux souples, des raccords, des rondelles ou des joints (y compris le compteur d'eau ou la pompe). Tout connecteur électrique isolant devra être relié à la terre à l'aide d'un fil de cuivre n° 4 d'une longueur suffisante, dont les deux extrémités seront fermement fixées sur une surface métallique nue.

Si le cordon électrique ne peut pas être utilisé...

Si les codes de la municipalité ne permettent pas l'utilisation d'un cordon électrique avec un lave-vaisselle encastré, déposer le cordon électrique et brancher le lave-vaisselle directement sur le courant électrique. **SI LE CORDON ÉLECTRIQUE EST DÉPOSÉ, LE BRANCHEMENT DU LAVE-VAISSELLE NE DOIT SE FAIRE QU'AVEC DES FILS DE CUIVRE.**

1. Couper le courant.
2. Déposer le couvercle de la boîte de connexion.

3. Déposer les connecteurs des fils du cordon électrique et de mise à la terre. (Voir la Figure 6.)

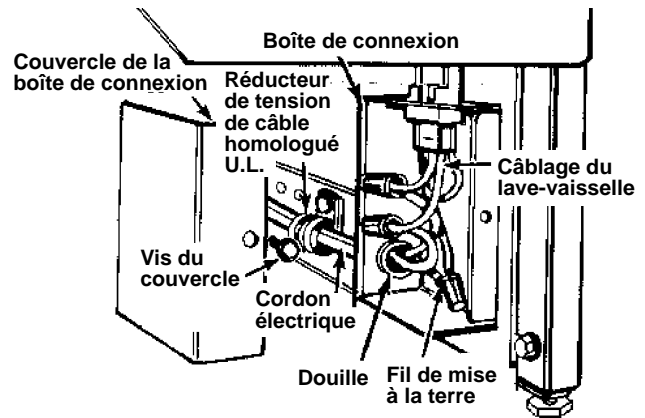


Figure 6

4. Déposer le réducteur de tension de câble (qui se trouve derrière la boîte de connexion) du cadre du lave-vaisselle.
5. Déposer le cordon électrique, le réducteur de tension de câble et la douille de la boîte de connexion.
6. Voir «A. Méthode de câblage direct», pages 3 et 4 pour de plus amples instructions.

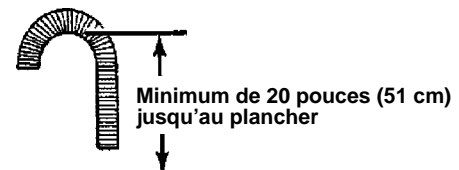
Branchement de la conduite d'arrivée d'eau

La pression de la conduite d'eau chaude alimentant le lave-vaisselle doit se situer entre 15 et 120 lb/po². **Pour obtenir les meilleurs résultats possibles, la température de l'eau du chauffe-eau doit être réglée à 140° F.**

La conduite d'eau chaude du lave-vaisselle doit être un tube en cuivre d'un diamètre de 3/8 de pouce extérieur ou en plastique de 1/2 pouce minimum. La valve d'arrivée d'eau du lave-vaisselle comporte des filets intérieurs de 3/8 de pouce.

Branchement de l'évacuation des eaux usées

Le tuyau des eaux usées DOIT former une boucle à au moins 20 pouces AU-DESSUS DU PLANCHER pour empêcher le siphonnement de l'eau pendant le fonctionnement du lave-vaisselle.



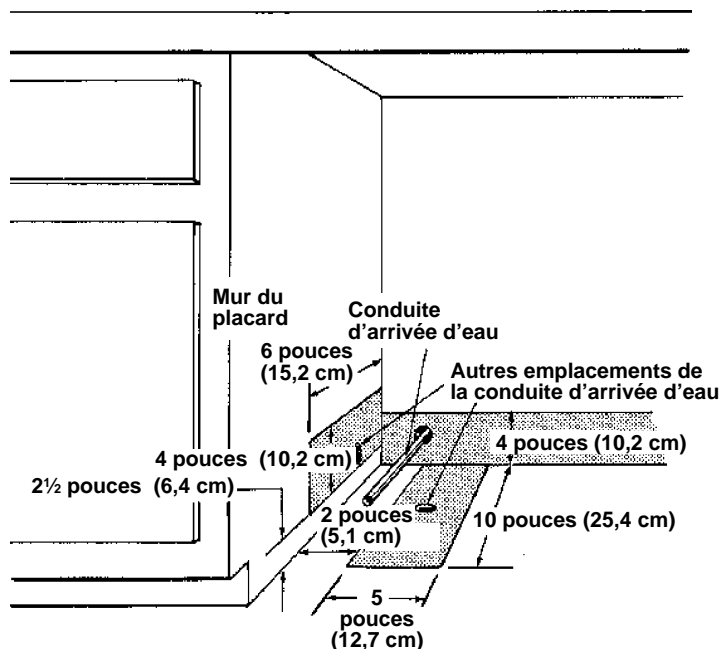
NOTA : Un écart antiretour DOIT ÊTRE UTILISÉ dans la boucle du tuyau d'évacuation des eaux usées si ce tuyau est branché directement sur le tuyau de la plomberie de l'habitation à moins de 20 pouces du plancher.

(suite)

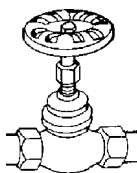
Le tuyau d'évacuation des eaux usées fourni est conforme aux normes AHAM DW-1. Découper un trou de 1½ pouce dans la paroi du placard pour le passage du tuyau d'évacuation des eaux usées. Au besoin, on peut également utiliser une longueur supplémentaire de tuyau d'évacuation des eaux usées dont le diamètre minimum intérieur sera de ½ pouce et la longueur maximum de 20 pouces (51 cm).

Maintenant on peut commencer...

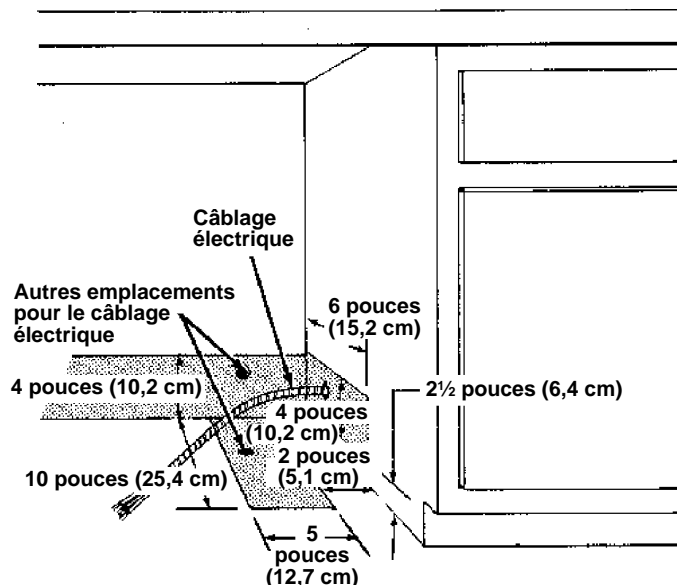
par le lave-vaisselle dans la cuisine.



1. Amener la conduite d'arrivée d'eau jusqu'à l'ouverture du placard dans laquelle sera installé le lave-vaisselle en utilisant une des méthodes indiquées. Découper un trou de ½ pouce (1,3 cm) ou de plus grand diamètre dans la paroi du placard pour faire passer la conduite d'eau.
2. Poser un robinet d'arrêt sur la conduite d'eau, là où l'on pourra y accéder facilement.



3. Rincer la conduite d'eau dans un seau pour éliminer toutes les particules qui risqueraient de boucher la valve d'arrivée d'eau. Fermer le robinet.

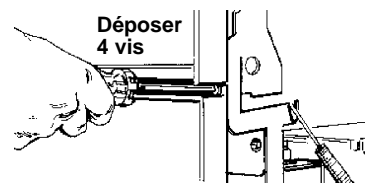


4. Dans le placard ou dans la paroi du plancher, découper un trou d'un diamètre maximum de 1½ pouce (3,8 cm) pour le passage du cordon électrique si on branche le lave-vaisselle dans une prise de courant ou de ¾ de pouce (1,9 cm) pour le câblage direct. Si ce trou est découpé dans un placard en bois, poncer le trou jusqu'à ce que ses rebords soient lisses. Si le trou est coupé dans un placard métallique, le trou devra être protégé par une bague passe-fils (n° de pièce 302797), que l'on pourra se procurer auprès d'un marchand ou d'un fournisseur de pièces.

Poser la prise de courant sur la paroi arrière ou de côté du placard, juste à côté de l'ouverture du lave-vaisselle.

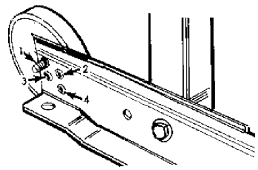
Utiliser un réducteur de tension de câble de ¾ de pouce homologué U.L. pour brancher le câble souple blindé ou à gaine non métallique et à conducteurs de cuivre (avec fil de mise à la terre) sur le sectionneur à fusible, le disjoncteur ou la boîte de jonction. Faire passer le câble par le trou de l'ouverture du placard. Le câble doit dépasser de 24 pouces (61 cm) du mur arrière.

5. Déposer les quatre (4) vis de fixation du panneau d'accès et du panneau inférieur sur le lave-vaisselle à l'aide d'une douille à six pans de ¼ de pouce, d'un tourne-écrou ou d'un tournevis à empreinte Phillips. Déposer le panneau d'accès et le panneau inférieur.



(suite)

6. Le lave-vaisselle est expédié pour être installé dans l'ouverture d'un placard ayant 34 pouces (86 cm) de haut. Mesurer la hauteur de l'ouverture, depuis le bord avant du placard jusqu'au plancher. Se reporter au tableau pour la hauteur de l'ouverture. Mettre les roulettes dans les positions requises. Le lave-vaisselle doit être installé le plus possible de niveau, de l'avant vers l'arrière.



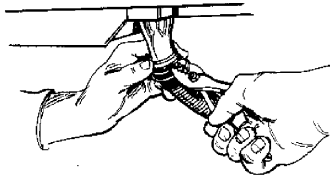
Position des roulettes

Hauteur de l'ouverture minimum	Position des roulettes (Voir l'illustration)	Nombre de tours pour préréglager les patins
33 ⁷ / ₈ po (86 cm)	1	0
34 ¹ / ₁₆ po (86,5 cm)	2	3
34 ¹ / ₄ po (87 cm)	3	6
34 ⁷ / ₁₆ po (87,5 cm)	4	9

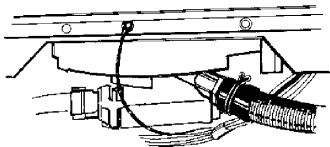
Pour une hauteur supplémentaire :

- Ajouter des cales sous les roulettes.
 - Tourner les pieds de mise de niveau avant (un tour augmente la hauteur de ¹/₁₆ de pouce).
- Desserrer les pieds de mise de niveau avant et les tourner du nombre de tours indiqué dans le tableau.

On peut avoir ce type de raccord d'évacuation des eaux usées...

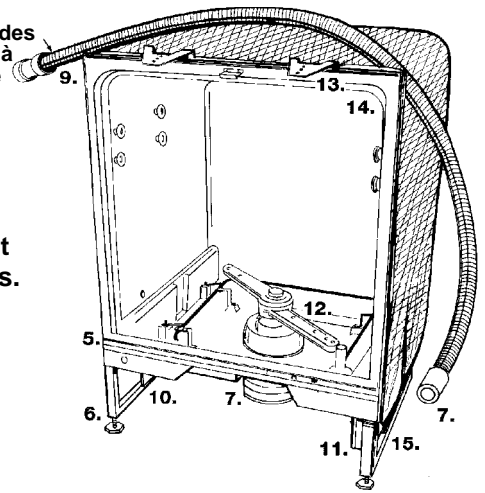


...ou ce type.



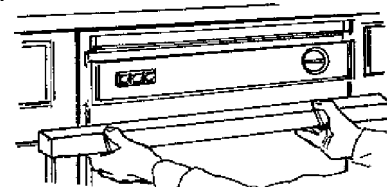
7. Glisser le collier à ressort par-dessus le raccord. Pousser le tuyau d'évacuation des eaux usées dans le raccord. À l'aide d'une pince, ouvrir le collier, puis le glisser par-dessus le tuyau et le raccord. S'assurer qu'il s'ajuste bien. Si le collier fourni est du type à vis au lieu du type à ressort, utiliser un tourne-écrou de ⁵/₁₆ de pouce pour bien le serrer.

Tuyau d'évacuation des eaux usées expédié à l'intérieur de la cuve



Numéros correspondant aux opérations.

8. Verrouiller la porte du lave-vaisselle, puis mettre le lave-vaisselle en place en glissant le tuyau d'évacuation des eaux usées dans le trou découpé dans l'ouverture du placard.



Ne pas pincer ni coincer le câble ou le cordon électrique entre le lave-vaisselle et le placard.

S'assurer que les pieds de mise à niveau avant reposent bien sur le plancher. Aligner la porte du lave-vaisselle avec les portes du placard de façon que l'espace soit le même des deux côtés.

9. Brancher le tuyau d'évacuation des eaux usées sur un écart antiretour ou un té d'évacuation des eaux usées en utilisant la méthode recommandée ou la méthode alternative.

Pour un bon ajustement, couper le raccord du tuyau au besoin



Si l'on branche le tuyau d'évacuation des eaux usées sur un écart antiretour ou un té d'évacuation des eaux usées, couper l'extrémité du tuyau d'évacuation des eaux usées comme il est illustré.

Faire tenir le tuyau d'évacuation des eaux usées avec le collier à vis fourni.

Ne pas couper le tuyau d'évacuation des eaux usées lorsqu'on le branche sur un raccord de broyeur de ⁷/₈ de pouce.

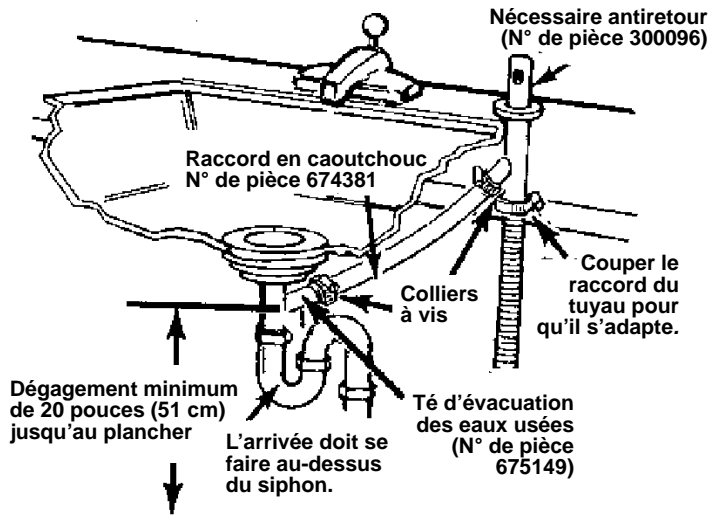
Enlever le bouchon de l'arrivée du broyeur. **Faire tenir le tuyau d'évacuation des eaux usées avec un collier fourni.**

NE PAS couper la partie nervurée du tuyau d'évacuation des eaux usées pour le raccourcir.

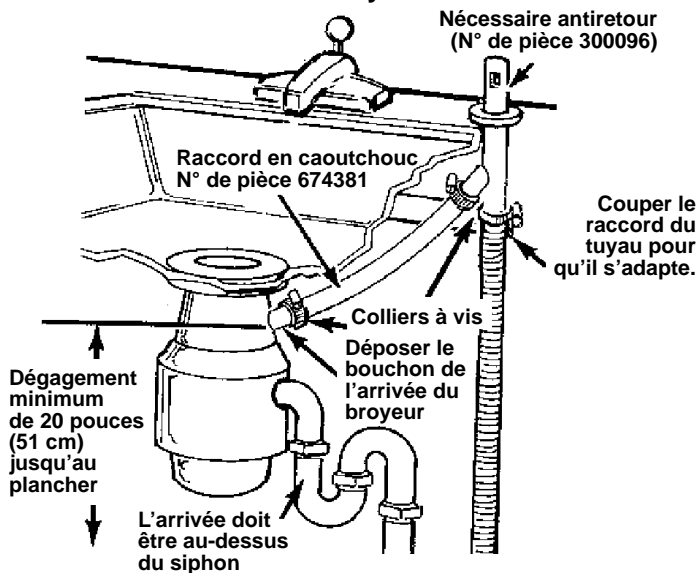
(suite)

Méthode recommandée pour le branchement du tuyau d'évacuation des eaux usées :

Tuyau d'évacuation des eaux usées sur l'écart antiretour ou le té d'évacuation des eaux usées.



Tuyau d'évacuation des eaux usées sur l'écart antiretour ou le broyeur.



Poser l'écart antiretour (numéro de pièce 300096)* conformément aux instructions livrées avec le nécessaire. Si un écart antiretour d'une autre marque est utilisé, s'assurer qu'il assure le même débit d'eau.

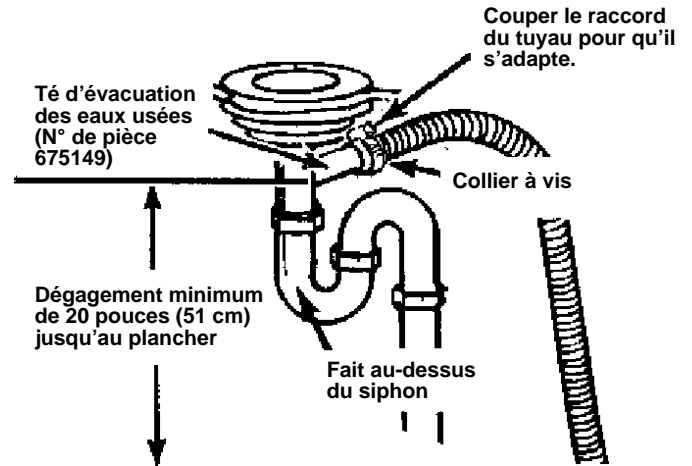
Brancher l'écart antiretour sur le té d'évacuation des eaux usées (numéro de pièce 675149)* ou sur le broyeur à l'aide du raccord en caoutchouc (numéro de pièce 674381)*.

La plupart des broyeurs comportent des raccords de $\frac{7}{8}$ de pouce, sinon des raccords spéciaux sont disponibles auprès de tous les magasins de fourniture de plomberie.

Ne pas oublier de déposer le bouchon du broyeur avant de brancher le tuyau d'évacuation des eaux usées.

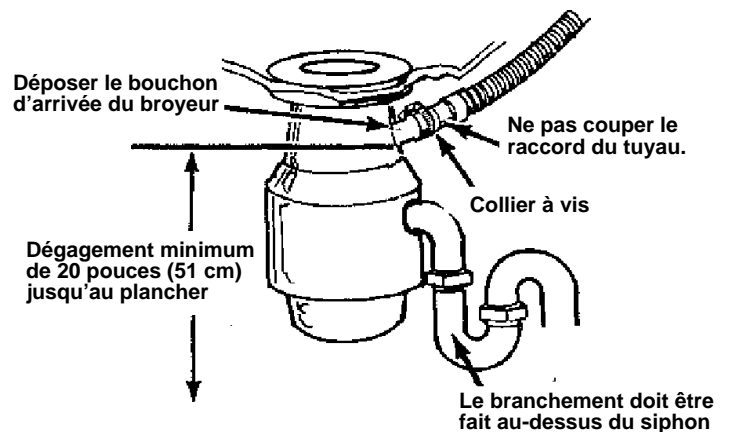
Méthode alternative pour le branchement du tuyau d'évacuation des eaux usées :

Tuyau d'évacuation des eaux usées vers le té d'évacuation des eaux usées.



Si les codes de la plomberie de la municipalité le permettent, le tuyau d'évacuation des eaux usées du lave-vaisselle doit être directement branché sur le té d'évacuation des eaux usées (numéro de pièce 675149)*. Le branchement du té d'évacuation des eaux usées DOIT être fait à l'avant du siphon et à au moins 20 pouces du plancher.

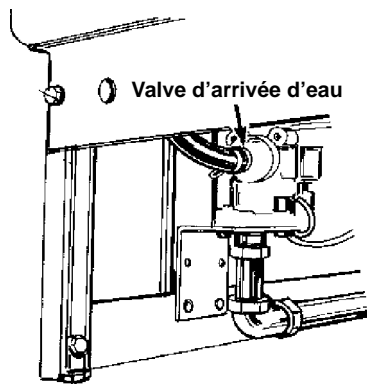
Tuyau d'évacuation des eaux usées vers le broyeur.



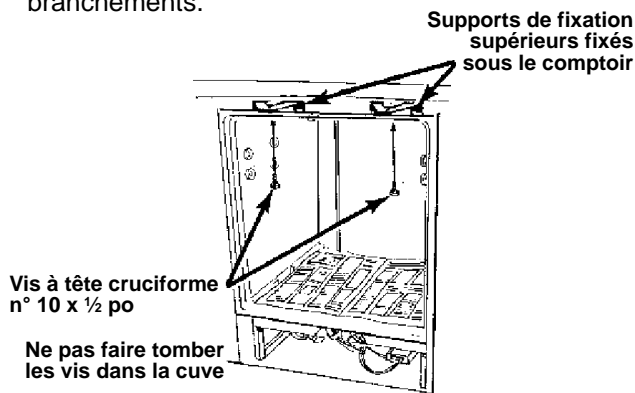
Si les codes de la plomberie de la municipalité le permettent, le tuyau d'évacuation des eaux usées du lave-vaisselle doit être directement branché sur un broyeur. La plupart des broyeurs comportent des raccords de $\frac{7}{8}$ de pouce, sinon des raccords spéciaux sont disponibles auprès de tous les magasins de fournitures de plomberie. **Ne pas oublier de déposer le bouchon du broyeur avant de brancher le tuyau d'évacuation des eaux usées.**

*Toutes les pièces sont disponibles auprès du marchand.

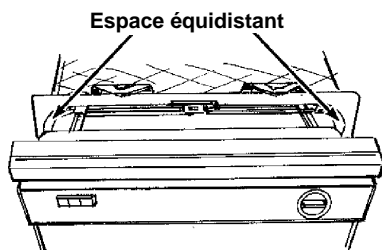
(suite)



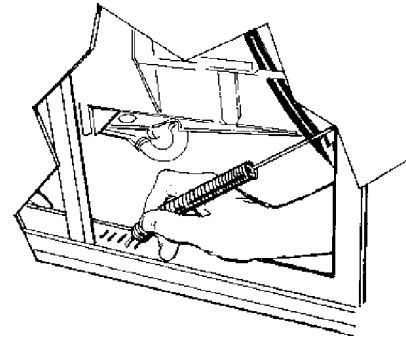
10. Brancher la conduite ou le tube d'arrivée d'eau directement sur la valve d'arrivée d'eau. Ne pas faire passer la conduite ou le tuyau à l'avant du moteur ni des pieds du lave-vaisselle. Ouvrir le robinet d'arrivée d'eau et s'assurer qu'il n'y a pas de fuites.
11. Vérifier les caractéristiques électriques. S'assurer que l'alimentation électrique du lave-vaisselle est adéquate et que la méthode de mise à la terre recommandée a été utilisée. Se reporter aux pages 5 et 6 pour les branchements.



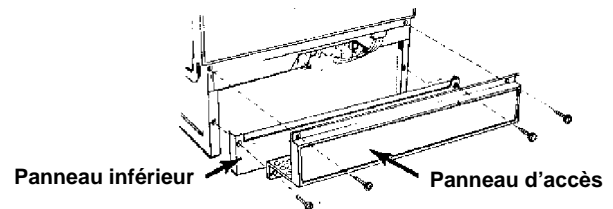
12. Ouvrir la porte du lave-vaisselle et déposer tous les matériaux d'expédition. Déposer le panier inférieur. Mettre une grande feuille de journal ou de papier dans le fond du lave-vaisselle pour protéger la pompe lorsque l'on fixera le lave-vaisselle sur le comptoir.
13. Fixer le lave-vaisselle sur le comptoir avec deux (2) vis à tête cruciforme n° 10 x 1/2 po que l'on trouvera dans le sachet des pièces détachées. Le lave-vaisselle **DOIT** être fixé sur le comptoir pour qu'il ne bascule pas lorsque l'on ouvrira ou fermera la porte. **Ne pas faire tomber les vis dans la cuve du lave-vaisselle. Si une vis tombe dans la pompe, la pompe et le moteur tomberont en panne.** Enlever la feuille de papier posée au fond du lave-vaisselle.
14. Ouvrir la porte d'environ 3 pouces (7,6 cm) et s'assurer que l'espace est équidistant entre la porte intérieure et les côtés de la cuve. Au besoin, desserrer les vis de fixation du lave-vaisselle sous le comptoir et déplacer la cuve. Resserrer les vis.



15. S'assurer que la porte fonctionne bien. Elle doit se fermer facilement, sans avoir à la claquer et elle doit s'ouvrir de son propre poids. Au besoin, fermer la porte et régler les deux ressorts en déplaçant leurs extrémités dans d'autres trous de la base.



16. Prendre quelques minutes pour lire le Guide d'utilisation et d'entretien afin de bien comprendre le fonctionnement de ce lave-vaisselle.
17. S'assurer que toutes les pièces ont été posées et qu'aucune opération n'a été omise. S'assurer qu'on a tous les outils que l'on avait au début de l'installation.
18. Reconnecter la source de courant électrique ou rebrancher le lave-vaisselle.
19. Démarrer le lave-vaisselle et le laisser faire un cycle complet. S'assurer qu'il fonctionne adéquatement et qu'il n'y a pas de fuites d'eau.
20. Reposer le panneau d'accès et le panneau inférieur. Le panneau inférieur doit être positionné de façon à venir en contact avec le plancher.



21. Si on change la couleur du panneau de la porte et du panneau d'accès, ou si l'on pose des panneaux personnalisés, suivre les instructions «Pour changer la couleur du panneau de la porte et du panneau d'accès» aux pages 9, 10 et 11.

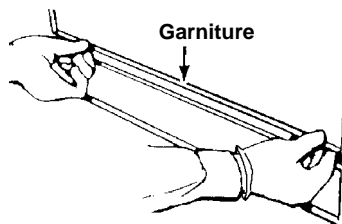
Félicitations!

L'installation de ce lave-vaisselle neuf est terminée. Conserver ces instructions d'installation. Elle pourront être utiles plus tard.

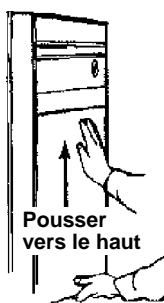
Pour remplacer le panneau de porte de couleur

(Sur les modèles qui en sont équipés)

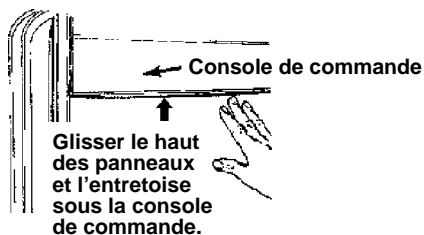
1. Pousser sur chaque extrémité de la garniture, en bas du panneau de la porte. Tirer la garniture vers soi. Mettre la garniture de côté.



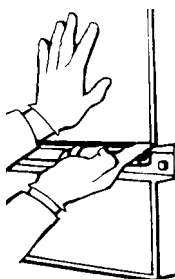
2. D'une main, pousser le ou les panneaux de la porte vers le haut. De l'autre main, plier le bord inférieur du ou des panneaux de la porte. Déposer le panneau de la porte. Ne pas déposer le panneau entretoise.



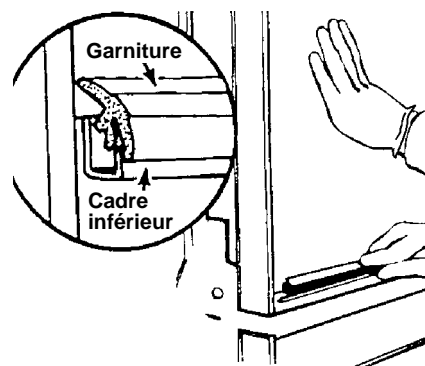
3. Plier le panneau de la couleur désirée vers l'extérieur et l'introduire dans le cadre de la porte. Glisser le ou les panneaux supérieurs et le panneau entretoise vers le haut, sous le bord de la console de commande.



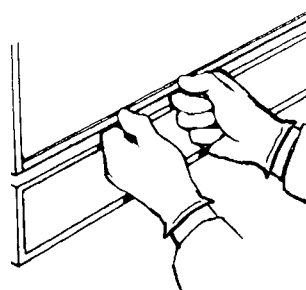
4. Lever le ou les panneaux de la porte et le panneau entretoise et les tenir d'une main. S'assurer que les deux panneaux de couleur et que le panneau entretoise sont au-dessus du cadre inférieur.



5. Introduire la garniture pour couvrir le bord inférieur du cadre. Agraffer la garniture en place.



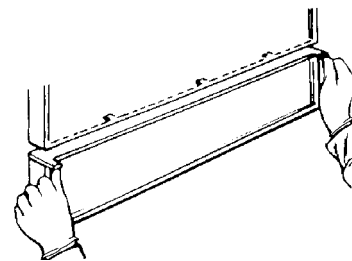
6. Appuyer fermement sur toute la longueur de la garniture pour s'assurer qu'elle est bien retenue en place.



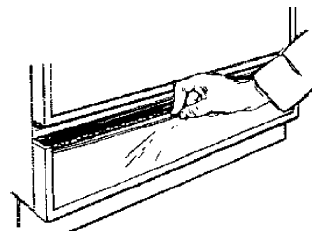
Pour remplacer le panneau d'accès de couleur

(Sur les modèles qui en sont équipés)

1. Pousser vers le haut chaque extrémité de la garniture supérieure du panneau d'accès avec les pouces pour dégrafer la garniture. Déposer la garniture supérieure et la mettre de côté.

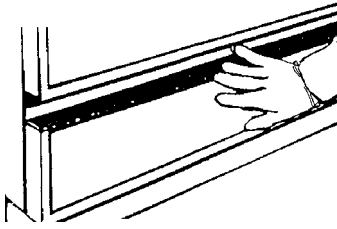


2. Tenir le haut du panneau de couleur et le plier légèrement. Glisser le panneau de couleur vers le haut et le déposer.



(suite)

3. Plier le panneau de couleur en orientant la couleur désirée vers l'extérieur et l'introduire dans le cadre du panneau d'accès. Abaisser le panneau de couleur dans la gorge qui se trouve le long de la partie inférieure du cadre du panneau d'accès.

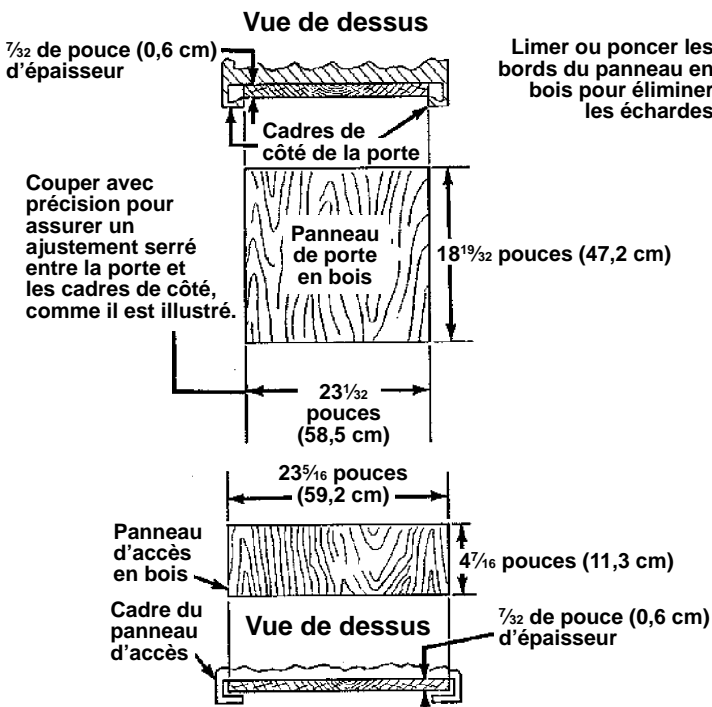


4. Aligner les extrémités de la garniture supérieure avec les côtés du cadre du panneau d'accès. Glisser la garniture supérieure vers l'intérieur tout en inclinant l'arrière de la garniture vers le bas. Emboîter l'avant de la garniture du haut dans le bas pour couvrir le bord supérieur du panneau d'accès.

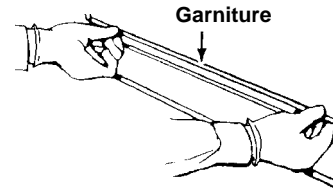
Pour poser des panneaux en bois personnalisés dans les panneaux de la porte et d'accès

Le panneau de porte et le panneau d'accès du lave-vaisselle (le cas échéant) peuvent être personnalisés pour correspondre aux placards en bois. Un panneau en bois d'une épaisseur de $\frac{7}{32}$ de pouce devra être coupé aux dimensions, comme il est spécifié dans l'Opération 1. Les panneaux plus épais que $\frac{7}{32}$ de pouce devront avoir une largeur de 23 pouces et les parties supérieure et inférieure devront être toupillées sur une épaisseur de $\frac{7}{32}$ de pouce. Suivre attentivement les spécifications concernant les dimensions.

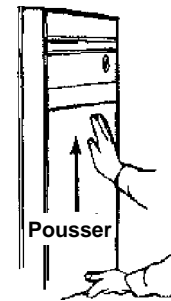
Il est recommandé de faire couper le panneau avant personnalisé par un ébéniste étant donné que les coupes doivent être extrêmement précises.



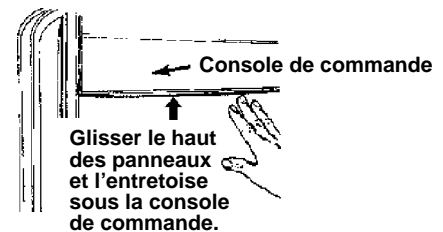
1. Couper le bois du panneau de la porte et du panneau d'accès en utilisant les dimensions spécifiées. S'assurer que le grain du bois correspond au sens du grain du bois du placard.
2. Poncer ou limer les bords des panneaux en bois. **Le lave-vaisselle est soumis à une certaine humidité. Enduire les deux côtés et les bords des panneaux en bois avec un bouche-pores résistant à l'humidité.**
3. Pousser sur chaque extrémité de la garniture, en bas du panneau de la porte. Tirer la garniture vers soi. Mettre la garniture de côté.



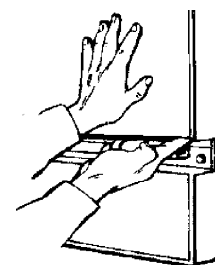
4. D'une main, pousser vers le haut le ou les panneaux de la porte et le panneau entretoise. De l'autre main, plier le bord inférieur du ou des panneaux de la porte. Déposer les panneaux et le panneau entretoise de la porte. Conserver le panneau entretoise et les panneaux de la porte pour utilisation ultérieure.



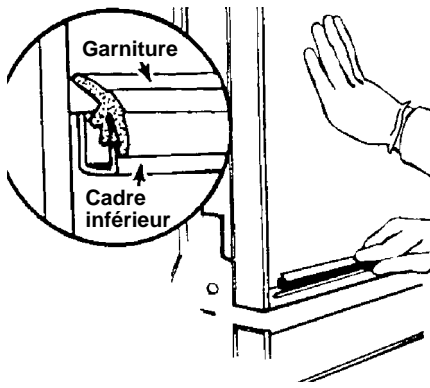
5. Introduire la partie supérieure du panneau en bois entre les côtés du cadre. Glisser le haut du panneau vers le haut, sous le bord inférieur de la console de commande. Appuyer sur la partie inférieure du panneau en bois, entre les côtés du cadre de la porte.



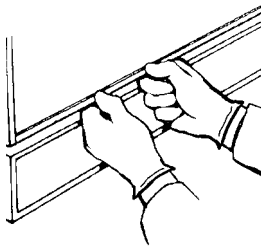
6. Relever le panneau de la porte et le tenir avec une main.



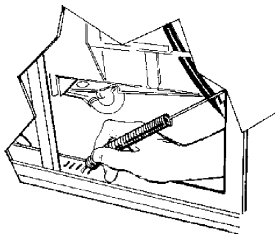
7. Introduire la garniture pour couvrir le bord inférieur du cadre. Emboîter la garniture en place.



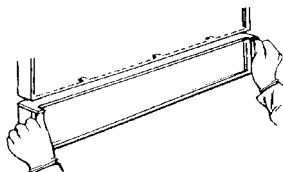
8. Appuyer fermement vers le bas sur toute la longueur de la garniture pour s'assurer qu'elle est bien retenue en place. Glisser le panneau de la porte vers le bas.



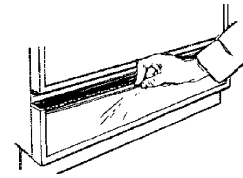
9. Ouvrir et fermer la porte du lave-vaisselle. La porte doit se fermer facilement sans avoir à la claquer. Elle doit s'ouvrir par son propre poids. Si les ressorts de la porte doivent être réglés, fermer la porte et déplacer les extrémités des ressorts dans d'autres trous de la base du lave-vaisselle.



10. Pousser vers le haut chaque extrémité de la garniture supérieure du panneau d'accès avec les pouces pour dégraffer la garniture. Déposer la garniture supérieure et la mettre de côté.

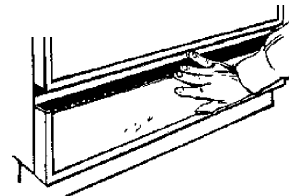


11. Tenir le haut des panneaux de couleur et les plier légèrement. Glisser les panneaux de couleur et le panneau entretoise vers le haut et les déposer. Conserver le panneau entretoise et les panneaux de la porte pour utilisation ultérieure.

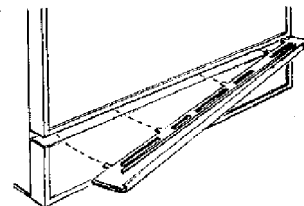


12. Introduire le panneau en bois dans le panneau d'accès. Glisser le panneau vers le bas, dans la gorge, en bas du panneau d'accès.

Il faudra peut-être déposer les vis de fixation supérieures et basculer le panneau d'accès vers l'avant pour poser certains panneaux en bois.



13. Aligner les extrémités de la garniture supérieure avec les côtés du cadre du panneau d'accès. Glisser la garniture supérieure vers l'intérieur tout en inclinant l'arrière de la garniture vers le bas. Emboîter l'avant de la garniture du haut dans le bas pour couvrir le bord supérieur du panneau d'accès.



Si le lave-vaisselle ne démarre pas...

Vérifier ces points :

- Est-ce que la porte et le verrou sont fermés en toute sécurité?
- Est-ce que le cycle a bien été réglé pour démarrer le lave-vaisselle?
- Est-ce que l'arrivée d'eau est ouverte?
- Est-ce qu'un fusible ou un disjoncteur a sauté?
- Est-ce que l'alimentation en courant électrique a été interrompue?

NOTA : Si le moteur s'est arrêté à cause d'une surcharge, il se réenclenchera automatiquement de lui-même dans les minutes qui suivent. Si, après avoir vérifié tous ces points, le lave-vaisselle ne fonctionne toujours pas ou ne termine pas un cycle, appeler le dépanneur.