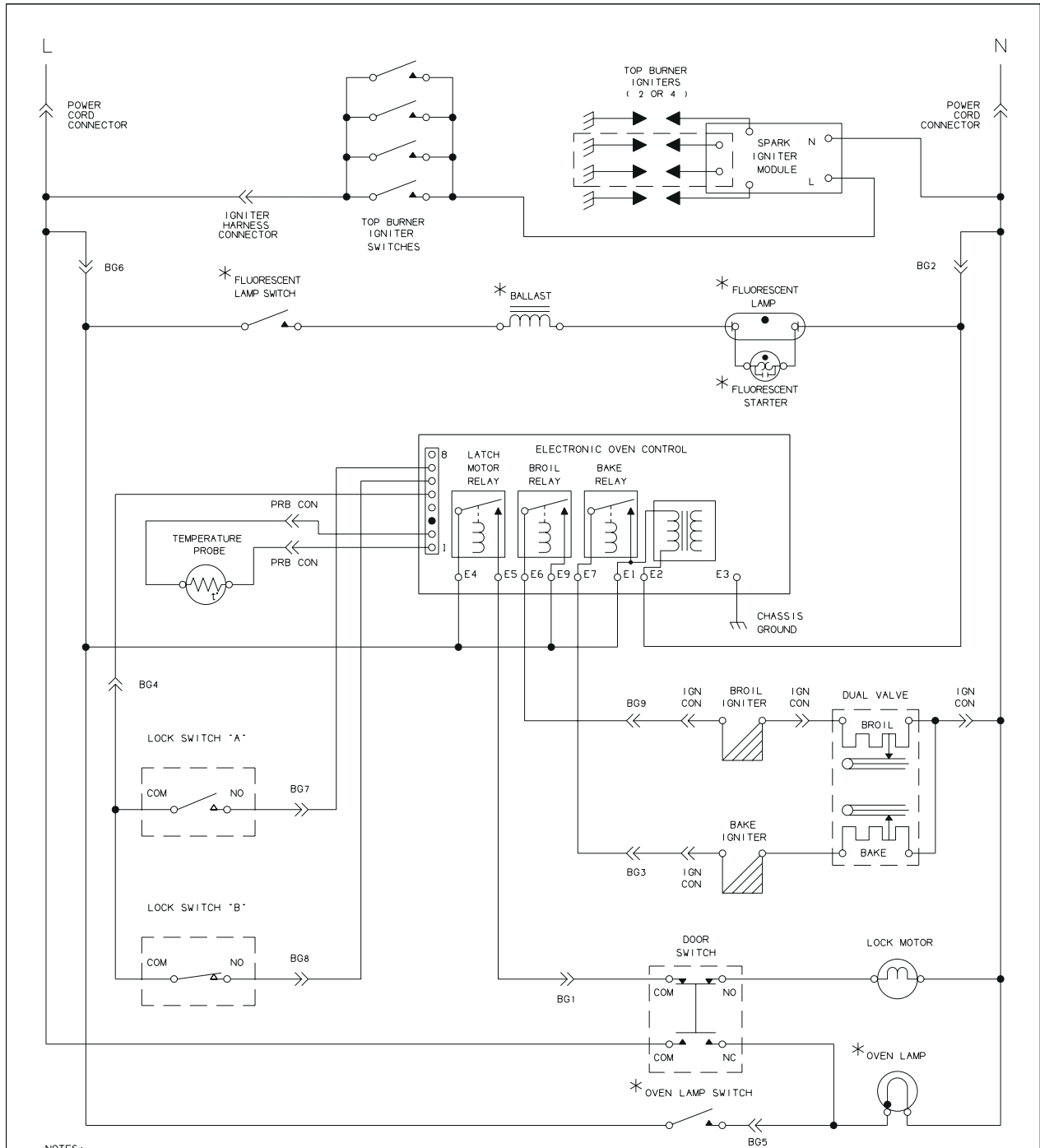


# WIRING DIAGRAM



- NOTES:
1. CIRCUIT SHOWN WITH ALL CONTROLS SET TO OFF. OVEN DOOR CLOSED AND UNLOCKED.
  2. BG "X" DENOTES BACKGUARD CONNECTOR PIN NUMBER.
  3. COMPONENTS WITH \* DO NOT APPEAR ON ALL MODELS.

316002151

CAM POSITION	LOCK MOTOR SWITCH CONTACTS			
	A		B	
	COM-NC	COM-NO	COM-NC	COM-NO
UNLOCKED	N/A		N/A	X
LOCKING	N/A		N/A	
LOCKED	N/A	X	N/A	
UNLOCKING	N/A		N/A	