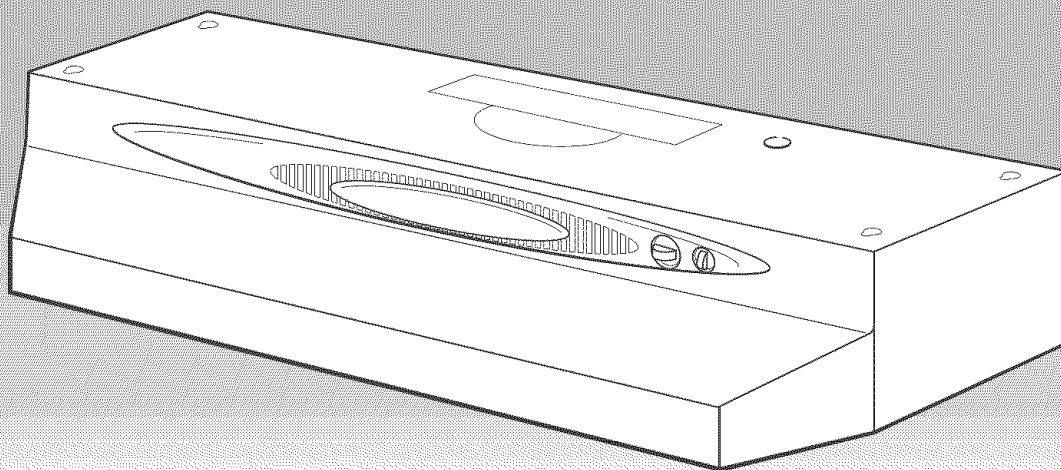


Installation Instructions and Use and Care Guide

30" (76.2 cm) and 36" (91.4 cm) Convertible Range Hood



RH4830 Series
RH4836 Series

www.whirlpool.com

IMPORTANT:
Read and save
these instructions.

IMPORTANT:

Installer: Leave Installation Instructions with the homeowner.

Homeowner: Keep Installation Instructions for future reference.

Save Installation Instructions for local electrical inspector's use.

Quick Reference

Table of Contents:

Pages

2	Before you start
2	Electrical requirements
3	Product dimensions
3 - 4	Venting requirements
4 - 6	Installation steps
7 - 8	Use and Care Information
8	Warranty
9 - 10	Requesting Assistance or Service

Before you start...

Your safety and the safety of others is very important.

We have provided many important safety messages in this manual and on your appliance. Always read and obey all safety messages.



This is the safety alert symbol. This symbol alerts you to potential hazards that can kill or hurt you and others. All safety messages will follow the safety alert symbol and either the word "DANGER" or "WARNING". These words mean:

DANGER

You can be killed or seriously injured if you don't **immediately** follow instructions.

WARNING

You can be killed or seriously injured if you don't follow instructions.

All safety messages will tell you what the potential hazard is, tell you how to reduce the chance of injury, and tell you what can happen if the instructions are not followed.

Important: Observe all governing codes and ordinances.

Proper installation is your responsibility. Make sure you have everything necessary for correct installation. It is the responsibility of the installer to comply with the clearances specified.

Check the location where the range hood will be installed. The location should be away from strong draft areas, such as windows, doors, and strong heating vents.

Mobile home installation

The installation of this range hood must conform to the Manufactured Home Construction Safety Standards, Title 24 CFR, Part 328 (formerly the Federal Standard for Mobile Home Construction and Safety, Title 24, HUD, Part 280) or when such standard is not applicable, the Standard for Manufactured Home Installation 1982 (Manufactured Home Sites, Communities and Setups) ANSI A225.1/NFPA 501A*, or latest edition, or with local codes.

WARNING — TO REDUCE THE RISK OF FIRE, ELECTRIC SHOCK, OR INJURY TO PERSONS, OBSERVE THE FOLLOWING:

Installation work and electrical wiring must be done by qualified person(s) in accordance with all applicable Codes and Standards, including Fire Rated Construction. Sufficient air is needed for proper combustion and exhausting of gases through the flue (chimney) of fuel burning equipment to prevent back drafting. Follow the heating equipment manufacturer's guideline and safety standards such as those published by the National Fire Protection Association (NFPA), and the American Society of Heating Refrigeration and Air Conditioning Engineers (ASHRAE), and the local code authorities.

When cutting or drilling into wall or ceiling, do not damage electrical wiring and other hidden utilities.

Ducted fans must always be vented to the outdoors.

WARNING — To reduce the risk of fire, use only metal ductwork.

This unit must be grounded.

This hood is factory set for vented installations. For non-vented installations, purchase Filter Kit No. 4396388 from your dealer.

Tools and materials needed for installation:

- flat blade screwdriver
- pliers
- drill
- ruler
- 1-1/4" (3.0 cm) drill bit
- 1/8" (or 3 mm) drill bit for pilot holes
- pencil

For vented installations, you also need:

- compass or 8" (20.3 cm) circle template
- metal snips
- keyhole saw
- saber saw
- duct tape
- 7" (17.8 cm) round damper if using 7" (17.8 cm) round vent system

Cabinets with recessed bottoms:

- 2, 2" (5.8 cm) wide filler strips. Length and thickness determined by recess dimensions.
- 4 wood screws or flat head machine screws with washers and nuts to attach filler strips.

Parts supplied:

- aluminum mesh filter
- baffle plate (vented installations)
- 3-1/4" x 10" (8.3 x 25.4 cm) damper/vent connector
- parts bag
- 7" (17.8 cm) round adapter

Electrical requirements

Important: Observe all governing codes and ordinances.

It is the customer's responsibility:

- To contact a qualified electrical installer.
- To assure that the electrical installation is adequate and in conformance with National Electrical Code, ANSI/NFPA 70 — latest edition*, or CSA Standards C22.1-94, Canadian Electrical Code, Part 1 and C22.2 No.0-M91 - latest edition** and all local codes and ordinances.

A separate ground wire must be used. It is recommended that a qualified electrician determine that the ground path is adequate.

A 120-volt, 60-Hz, AC-only, fused electrical system is required. A separate 15-amp circuit is recommended.

Do not ground to a gas pipe.

Check with a qualified electrician if you are not sure range hood is properly grounded.

Do not have a fuse in the neutral or ground circuit.

IMPORTANT:

Save Installation Instructions for electrical inspector's use.

The range hood must be connected with copper wire only.

The range hood should be connected directly to the fused disconnect (or circuit breaker) box through flexible armored or nonmetallic sheathed copper cable. A U.L.- or C.S.A.-listed strain relief must be provided at each end of the power supply cable. Wire sizes (COPPER WIRE ONLY) and connections must conform with the rating of the appliance as specified on the model/serial rating plate.

Product dimensions

Wire sizes must conform to the requirements of the National Electrical Code ANSI/NFPA 70 — latest edition*, or CSA Standards C22.1-94, Canadian Electrical Code Part 1 and C22.2 No. 0-M91 - latest edition** and all local codes and ordinances.

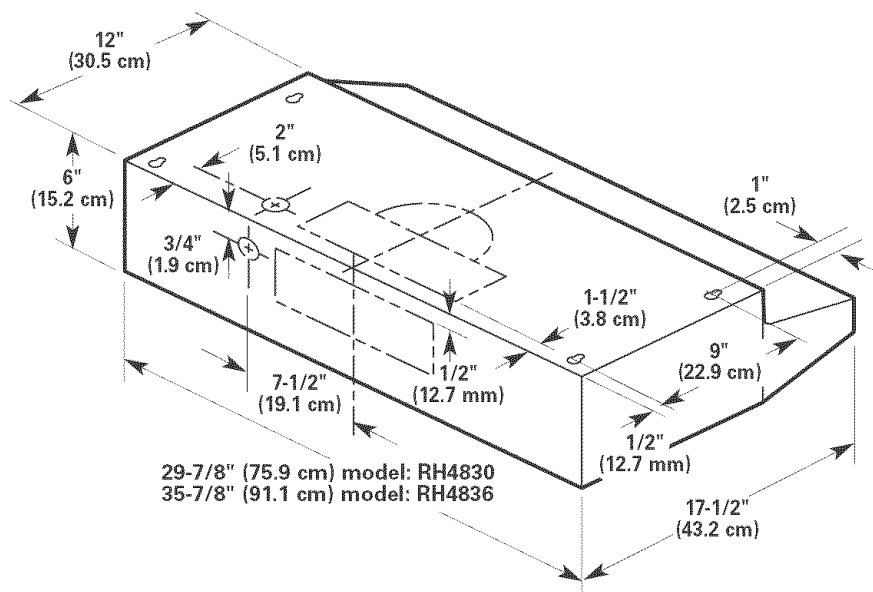
A U.L.- or C.S.A.-listed conduit connector must be provided at each end of the power supply cable (at the range hood and at the junction box).

In U.S. only: For power cord connected installations, a U.L.-listed range hood cord-connection kit **MUST** be used. Cord kit has not been evaluated for use in Canada.

Copies of the standards listed may be obtained from:

* National Fire Protection Association
One Batterymarch Park
Quincy, Massachusetts 02269

** CSA International
8501 East Pleasant Valley Road
Cleveland, Ohio 44131-5575



Venting requirements

Venting system must terminate to the outside.

Do not terminate the vent in an attic or other enclosed space.

Do not use four-inch (10.2 cm) laundry-type wall caps.

Do not use plastic vent.

Vent system needed for installation is not included.

Determine which outside venting method needs to be used. It is recommended that the vent system be installed before installing the hood.

NOTE: If a non-vented (recirculating) installation is desired, follow instructions on Page 5.

The length of the vent system and number of elbows should be kept to a minimum to provide efficient performance. The size of the vent system should be uniform. Do Not install two elbows together. Use duct tape to seal all joints in the vent system. Vent system can terminate either through the roof or wall. Use caulking to seal exterior wall or roof opening around exhaust hood. For the most efficient and quiet operation, it is recommended that the range be vented vertically through the

roof through 7" (17.8 cm) round vent system.

Figures 1 and 2 show common venting methods and what types of materials are needed.

Recommended vent length

Use 3-1/4" x 10" (8.3 x 25.4 cm) with a maximum length of 50 ft (15.2 m) or 7" (17.8 cm) round vent with a maximum length of 60 ft (27.9 m) for vent system. For best performance, use no more than three 90° elbows. To calculate the length of system you need, add the equivalent feet (meters) for each vent piece used in the system. See the examples on the next page.

Vertical roof venting

7" (17.8 cm) round or 3-1/4" x 10" (8.3 x 25.4 cm) through roof

Round vent: Use 7" (17.8 cm) round damper (purchased separately)

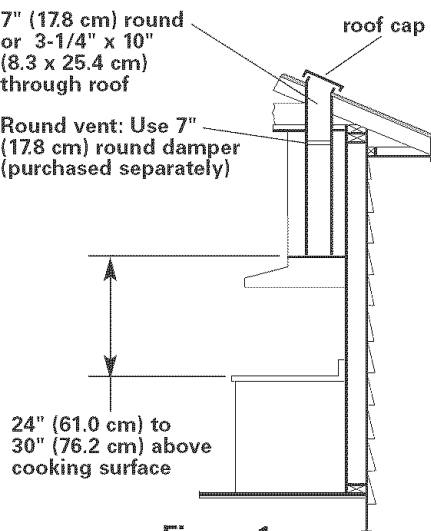


Figure 1

Horizontal wall venting

7" (17.8 cm) round or 3-1/4" x 10" (8.3 x 25.4 cm) through the wall

3-1/4" x 10" (8.3 x 25.4 cm) through the wall

24" (61.0 cm) to 30" (76.2 cm) above cooking surface

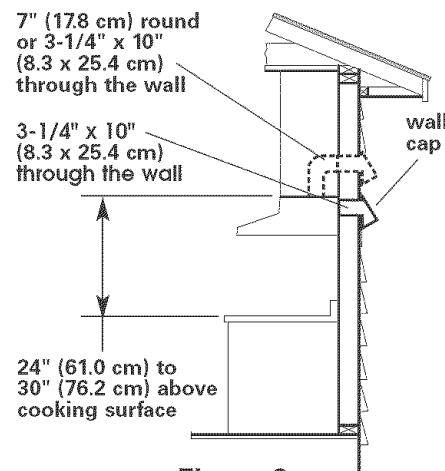
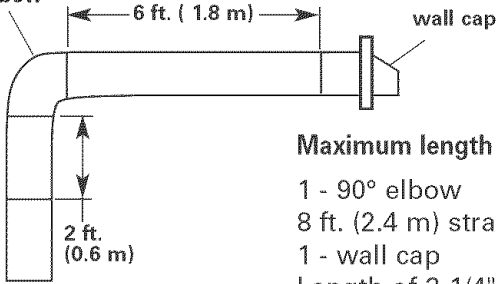


Figure 2

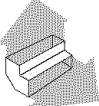
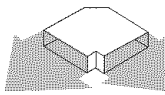
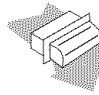
3-1/4" x 10" (8.3 x 25.4 cm) vent system

3-1/4" x 10"
(8.3 x 25.4 cm)
elbow

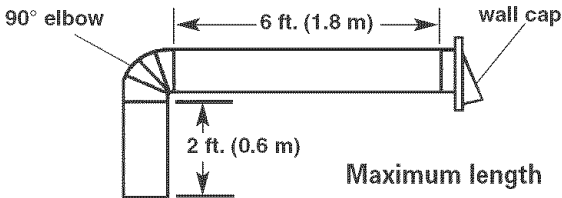


Maximum length	=	50 ft. (15.2 m)
1 - 90° elbow	=	5 ft. (1.5 m)
8 ft. (2.4 m) straight	=	8 ft. (2.4 m)
1 - wall cap	=	0 ft. (0 m)
Length of 3-1/4" x 10" (8.3 x 25.4 cm) system	=	13 ft. (3.9 m)

Recommended standard fittings


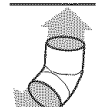
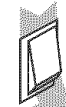
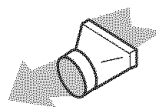

		
3-1/4" x 10" (8.3 x 25.4 cm) 90° elbow = 5 ft. (1.5 m)	3-1/4" x 10" (8.3 x 25.4 cm) flat elbow = 12 ft. (3.7 m)	3-1/4" x 10" (8.3 x 25.4 cm) wall cap = 0 ft. (0 m)

7" (17.8 cm) vent system



Maximum length	=	60 ft. (27.9 m)
1 - 90° elbows	=	5 ft. (1.5 m)
1 - wall cap	=	0 ft. (0 m)
8 ft. (2.4 m) straight	=	8 ft. (2.4 m)
Length of 7" (17.8 cm) system	=	13 ft. (3.9 m)

Recommended standard fittings

				
90° elbow = 5 ft. (1.5 m)	45° elbow = 2.5 ft. (0.8 m)	7" (17.8 cm) wall cap = 0 ft. (0 m)	3-1/4" x 10" (8.3 x 25.4 cm) to 7" (17.8 cm) = 4.5 ft. (1.4 m)	3-1/4" x 10" (8.3 x 25.4 cm) to 7" (17.8 cm) 90° elbow = 5 ft. (1.5 m)

Now start... With range hood in kitchen.

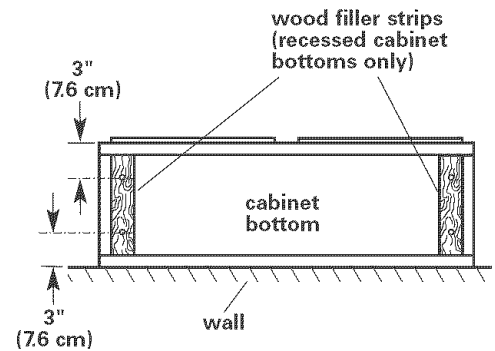
Slide cardboard or hardboard under range before moving range across floor to prevent damaging floor covering.

Cover countertop, cooktop or set-in range with a thick, protective covering to prevent damaging them.

1. Disconnect and move freestanding range from cabinet opening to provide easier access to upper cabinet and rear wall. Put a thick, protective covering over cooktop, set-in range or countertop to protect from damage or dirt.

2. Determine which venting method (roof or wall venting or non-venting) you need to use. This range hood is shipped for non-vented installation.

Prepare hood location

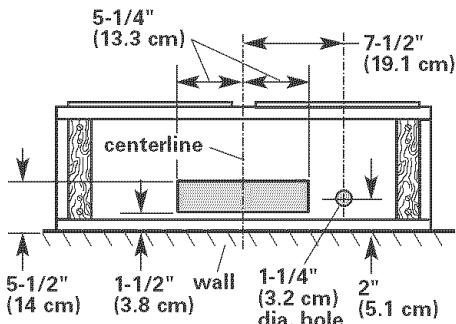


3. If cabinet has recessed bottom, add wood filler strips on each side. Locate screws to attach filler strips in locations shown.

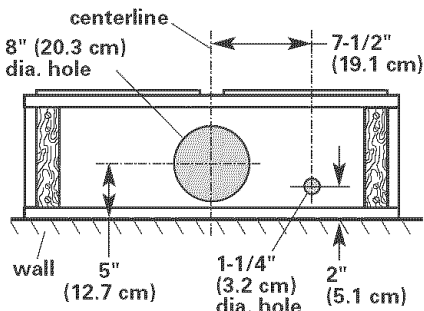
4. From the diagrams below, select the diagram for your installation.

Vented installations: Cut the vent system and electrical wiring access holes as required. Either wiring hole can be used.

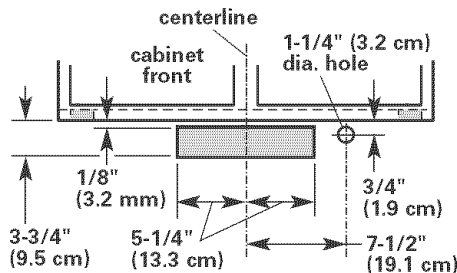
Non-vented installations: Cut only the one 1-1/4" (3.2 cm) dia. wiring access hole required. If wiring through the top, use location shown in VERTICAL vent systems. If wiring through the back, use location shown in HORIZONTAL vent system.



**3-1/4" x 10" (8.3 x 25.4 cm)
RECTANGULAR VERTICAL
vent system**



**7" (17.8 cm)
ROUND VERTICAL
vent system**

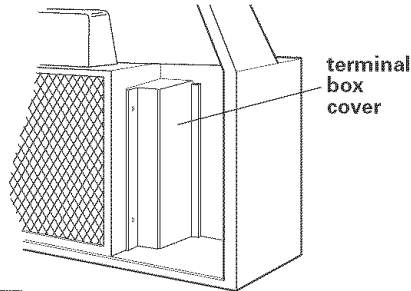


**3-1/4" x 10" (8.3 x 25.4 cm)
HORIZONTAL
vent system**

Prepare and install the hood

⚠ WARNING

Excessive Weight Hazard
Use two or more people to move and install range hood.
Failure to do so can result in back or other injury.

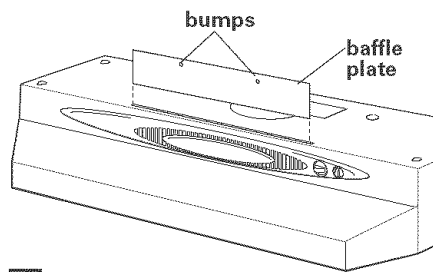


5. Remove terminal box cover. Depending on your installation, remove either back or top wiring knockout.

6. Remove the rectangular damper/vent connector from under the left side of hood. Set connector and screws aside for use if connecting to a rectangular vent system.

For vented installations, go to Step 7a.

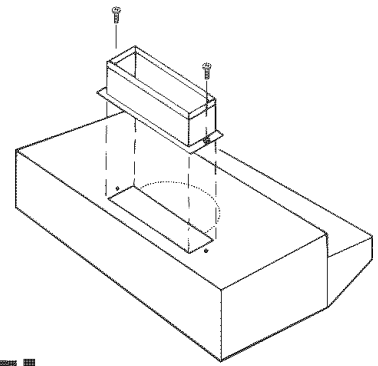
For non-vented installations, go to Step 7e.



7a. For vented installations:

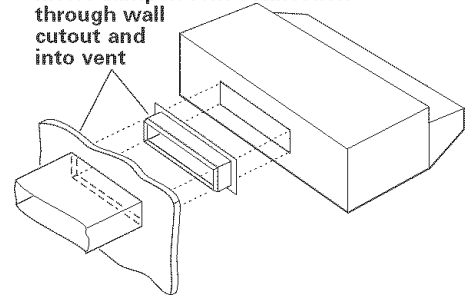
Insert the baffle plate into slot behind grille. The locator bumps should be at the top as shown.

Remove either top or rear rectangular vent knockout. If using round vent, remove both top rectangular and semi-circular knockouts.



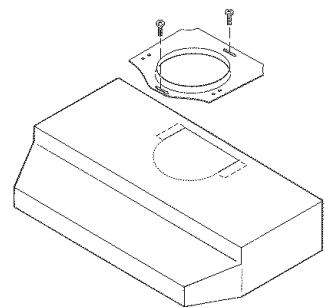
7b. Vertical rectangular vent: Attach the damper/vent connection with two screws as shown.

Insert damper/vent connection through wall cutout and into vent



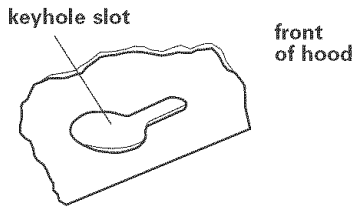
7c. Horizontal rectangular vent: Attach damper/vent connection to back of hood and insert through the wall cutout and into the horizontal vent.

Note: If the wall cap is directly behind the vent connector, the dampers in the wall connector and cap **MUST NOT** interfere with each other. Remove the vent connector damper if they interfere.



7d. Vertical round vent: Fasten the round adapter to the hood with two screws as shown. Install round damper (purchased separately).

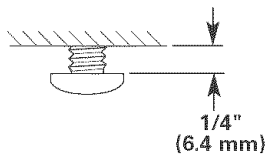
7e. For non-vented installations: Check that the baffle plate has not been installed in slot behind grille. If it has, remove the baffle plate



8. Lift the range hood up under cabinet and determine final position. Mark on the underside of cabinet the location of the four keyhole mounting slots. Set range hood aside on a protected surface.



9. Use 1/8" (or 3 mm) drill bit and drill 4 pilot holes as shown.



10. Remove the 4 hood mounting screws from the parts bag and install in pilot holes. Leave screw heads away from shim strips about 1/4" (6.4 cm)

11. If using direct wiring, make sure power is disconnected, and pull about 12" (30 cm) of wire through wall or cabinet and into opening.

12. Lift range hood into final position, feeding electrical wire through wiring opening. Position the range hood so that the large end of the keyhole slots are over the screws. Then push the hood toward the wall so that the screws are in the neck of the slots. Tighten mounting screws to cabinet, making sure mounting screws are in narrow neck of slots. Make sure that damper blade, if used, rotates up and down freely.

13. Connect ventwork to hood. Seal joints with duct tape to make the secure and air tight.

Note: Damper/vent connector and round vent plate can be installed up to 1/2" (12.7 mm) on either side of hood center if ventwork is off-center. In extreme off-center

installations, one end of the vent connector may need to be trimmed to clear the electrical strain relief.

Make electrical connection

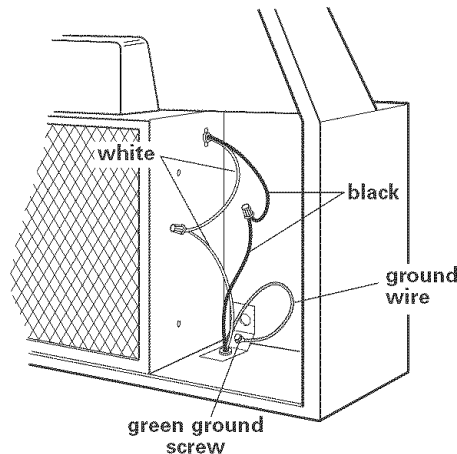
⚠ WARNING

Electrical Shock Hazard

Disconnect power before making electrical connections.

Connect ground wire to green ground screw in terminal box.

Failure to do so can result in death or electrical shock.



14. Direct wiring:

Connect the white and black wires of the power supply cable to the white and black leads in the hood with twist-on connectors.

Connect the power supply ground wire to the green ground screw inside the terminal box.

Use caulking to seal wire opening. Replace terminal box cover.

Using a U.L.-listed power supply cord-connection kit (U.S. only):

Follow Power Cord Kit instructions for connecting wiring.

15. Depress both sides of the light lens until tabs disengage from slots in hood and remove lens.

Install two 40 watt (maximum) type A-15 appliance bulbs.

Reinstall light lens. Depress both sides of lens, insert tabs into slots and release.

16. For non-vented installations: Grasp tab at front center of filter. Push toward back to release filter from spring clips at front. Pull down then forward to remove aluminum mesh filter.

Install non-vented filter (purchased separately) by inserting into channel at back of compartment. Grasp tab and pull forward so that filter snaps under spring clips at front.

To get the most efficient use from your new range hood, read the "Use and Care Information" section. Keep your Whirlpool Installation Instructions and Use and Care Guide close to range hood for easy reference.

Use and Care Information

WARNING — To reduce the risk of fire or electrical shock, do not use this fan with any solid-state speed control device.

WARNING — TO REDUCE THE RISK OF FIRE, ELECTRIC SHOCK, OR INJURY TO PERSONS, OBSERVE THE FOLLOWING:

Use this unit only in the manner intended by the manufacturer. If you have questions, contact the manufacturer. Before servicing or cleaning unit, switch power off at service panel and lock switch power off at service panel and lock service panel to prevent power from being switched on accidentally. When the service disconnecting means cannot be locked, securely fasten a prominent warning device such as a tag to the service panel.

CAUTION: For general ventilating use only. Do not use to exhaust hazardous or explosive materials and vapors.

WARNING — TO REDUCE THE RISK OF A RANGE TOP GREASE FIRE:

Never leave surface units unattended at high settings. Boilovers cause smoking and greasy spillovers that may ignite. Heat oils slowly on low or medium settings.

Always turn hood ON when cooking at high heat or when cooking flaming foods.

Clean ventilating fans frequently. Grease should not be allowed to accumulate on fan or filter.

Use proper pan size. Always use cookware appropriate for the size of the surface element.

WARNING — TO REDUCE THE RISK OF INJURY TO PERSONS IN THE EVENT OF A RANGE TOP GREASE FIRE, OBSERVE THE FOLLOWING:

SMOTHER FLAMES with a close-fitting lid, cookie sheet, or metal

tray, then turn off the burner. **BE CAREFUL TO PREVENT BURNS.** If the flames do not go out immediately, **EVACUATE AND CALL THE FIRE DEPARTMENT.** **NEVER PICK UP A FLAMING PAN** — You may be burned.

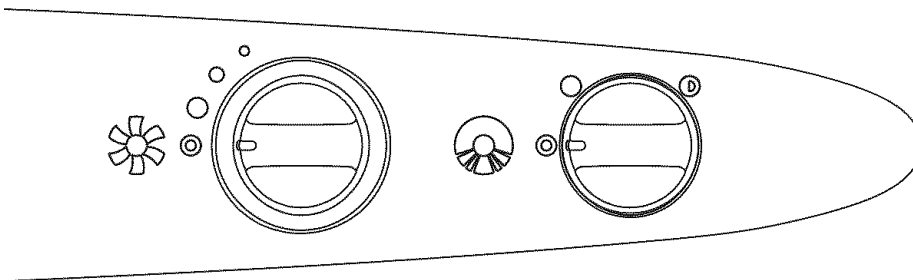
DO NOT USE WATER, including wet dishcloths or towels — a violent steam explosion will result. Use an extinguisher **ONLY** if:

You know you have a Class ABC extinguisher, and you already know how to operate it.

The fire is small and contained in the area where it is started.

The fire department is being called. You can fight the fire with your back to an exit.

Operation



For best results, turn range hood fan on at beginning of cooking and allow it to run until all smoke and odors are removed from room.

Operating the fan:

The FAN control is shown in the off position. To turn the fan on, rotate the control clockwise. The fan speed will start at high. Rotating the control clockwise will vary the speed from high to low. The speed can be changed anytime during fan operation.

To turn on the light:

The LIGHT control is shown in the off position. For maximum lighting, rotate the control clockwise 45°. Rotate the control clockwise another 45° for minimum lighting.

Care of range hood

Aluminum mesh filters:

Clean often using hot water and a mild detergent. Filters are dishwasher safe.

When it's time to replace your aluminum filter or charcoal filter pads:

1. For model series RH4830 and RH4836:
Order Aluminum Filter no. 4396387.
Non-vented installations:
Order Filter kit no. 4396388.
2. Call Whirlpool's Telesales line at 1-800-442-9991.

3. Give the Telesales Representative the part number needed.
4. The Representative will give you the current price.
5. Place your order using your Master Card®, Visa® or Discover® credit card.
6. If you wish: mail a check or money order to:
Whirlpool Corporation
1900 Whirlpool Drive
LaPorte, IN 46350-9980
Attn: Accessory Accounting
7. Be sure to ask the Telesales Representative about the wide variety of other Whirlpool Product Accessories.

To clean hood:

Clean the range hood with a mild detergent and soft cloth. Do not use abrasive cleansers or steel wool pads.

WHIRLPOOL CORPORATION MAJOR APPLIANCE WARRANTY

ONE YEAR LIMITED WARRANTY

For one year from the date of purchase, when this major appliance is operated and maintained according to instructions attached to or furnished with the product, Whirlpool Corporation or Whirlpool Canada LP (hereafter "Whirlpool") will pay for FSP® replacement parts and repair labor to correct defects in materials or workmanship. Service must be provided by a Whirlpool designated service company.

ITEMS WHIRLPOOL WILL NOT PAY FOR

1. Service calls to correct the installation of your major appliance, to instruct you how to use your major appliance, to replace or repair house fuses or to correct house wiring or plumbing.
2. Service calls to repair or replace appliance light bulbs, air filters or water filters. Those consumable parts are excluded from warranty coverage.
3. Repairs when your major appliance is used for other than normal, single-family household use.
4. Damage resulting from accident, alteration, misuse, abuse, fire, flood, acts of God, improper installation, installation not in accordance with electrical or plumbing codes, or use of products not approved by Whirlpool.
5. Any food loss due to refrigerator or freezer product failures.
6. Replacement parts or repair labor costs for units operated outside the United States or Canada.
7. Pickup and delivery. This major appliance is designed to be repaired in the home.
8. Repairs to parts or systems resulting from unauthorized modifications made to the appliance.
9. Expenses for travel and transportation for product service in remote locations.
10. The removal and reinstallation of your appliance if it is installed in an inaccessible location or is not installed in accordance with published installation instructions.

DISCLAIMER OF IMPLIED WARRANTIES; LIMITATION OF REMEDIES

CUSTOMER'S SOLE AND EXCLUSIVE REMEDY UNDER THIS LIMITED WARRANTY SHALL BE PRODUCT REPAIR AS PROVIDED HEREIN. IMPLIED WARRANTIES, INCLUDING WARRANTIES OF MERCHANTABILITY OR FITNESS FOR A PARTICULAR PURPOSE, ARE LIMITED TO ONE YEAR OR THE SHORTEST PERIOD ALLOWED BY LAW. WHIRLPOOL SHALL NOT BE LIABLE FOR INCIDENTAL OR CONSEQUENTIAL DAMAGES, SOME STATES AND PROVINCES DO NOT ALLOW THE EXCLUSION OR LIMITATION OF INCIDENTAL OR CONSEQUENTIAL DAMAGES, OR LIMITATIONS ON THE DURATION OF IMPLIED WARRANTIES OF MERCHANTABILITY OR FITNESS, SO THESE EXCLUSIONS OR LIMITATIONS MAY NOT APPLY TO YOU. THIS WARRANTY GIVES YOU SPECIFIC LEGAL RIGHTS AND YOU MAY ALSO HAVE OTHER RIGHTS, WHICH VARY FROM STATE TO STATE OR PROVINCE TO PROVINCE.

Outside the 50 United States and Canada, this warranty does not apply. Contact your authorized Whirlpool dealer to determine if another warranty applies.

If you need service, first see the "Troubleshooting" section of the Use & Care Guide. After checking "Troubleshooting," additional help can be found by checking the "Assistance or Service" section or by calling Whirlpool. In the U.S.A., call **1-800-253-1301**. In Canada, call **1-800-807-6777**.

8/05

Requesting Assistance or Service

If you need assistance or service in U.S.A.

Call the Whirlpool Customer Interaction Center toll-free at 1-800-253-1301.

Our consultants are available to assist you.

When calling: Please know the purchase date, and the complete model and serial number of your appliance. This information will help us better respond to your request.



Our consultants provide assistance with:

- Features and specifications on our full line of appliances
- Installation information

- Use and maintenance procedures
- Accessory and repair parts sales
- Specialized customer assistance (Spanish speaking, hearing impaired, limited vision, etc.)
- Referrals to local dealers, service companies, and repair parts distributors

Whirlpool-designated service technicians are trained to fulfill the product warranty and provide after-warranty service, anywhere in the United States.

To locate the designated service company in your area, you can also look in your telephone directory Yellow Pages.

If you need replacement parts

If you need to order replacement parts, we recommend that you only use factory-authorized parts. These parts will fit right and work right, because they are made to the same exacting specifications used to build every new Whirlpool appliance.

To locate factory-authorized parts in your area, call our Customer Interaction Center telephone number, your nearest authorized service center, or Whirlpool Factory Service at 1-800-442-1111.

For further assistance

If you need further assistance, you can write to ask any questions or tell us about your concerns at:

Customer Interaction Center
c/o Correspondence Dept.
2000 North M-63
Benton Harbor, MI 49022-2692

Please include a daytime phone number in your correspondence.

If you need assistance or service in Canada

1. If the problem is not due to one of the items listed in "Check Operation"†...



Contact the dealer from whom you purchased your appliance, or call the Inglis Limited Consumer Assistance Centre toll-free, 8:30 a.m. – 6 p.m. (EST), at 1-800-235-0665.

2. If you need service†...

Contact your nearest Inglis Limited Appliance Service branch or designated servicing outlet to service your appliance. (See list below.)

†When asking for assistance or service, please provide a detailed description of the problem, your appliance's complete model and serial numbers, and the purchase date. This information will help us respond properly to your request.

Direct service branches:

BRITISH COLUMBIA		1-800-665-6788
ALBERTA		1-800-661-6291
ONTARIO (except 807 area code)	Ottawa area Outside the Ottawa area	1-800-267-3456 1-800-807-6777
MANITOBA, SASKATCHEWAN and 807 area code in ONTARIO		1-800-665-1683
QUEBEC	Montreal (except South Shore) South Shore Montreal Quebec City Sherbrooke	1-800-361-3032 1-800-361-0950 1-800-463-1523 1-800-567-6966
ATLANTIC PROVINCES		1-800-565-1598

For further assistance

If you need further assistance, you can write to Inglis Limited with any questions or concerns at:

Consumer Relations Department
Inglis Limited
1901 Minnesota Court
Mississauga, Ontario L5N 3A7

Please include a daytime phone number in your correspondence.

www.inglislimited.com