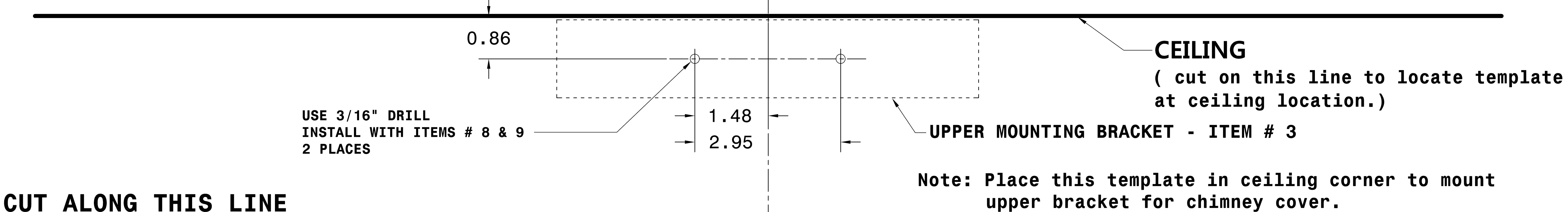
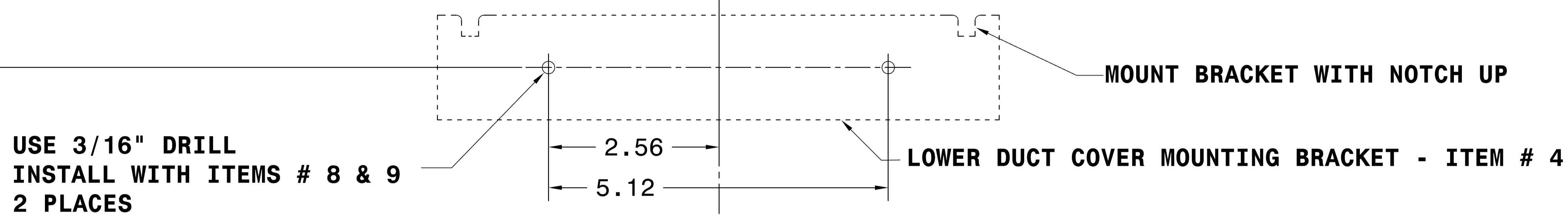


UPPER DUCT COVER MOUNTING TEMPLATE



CUT ALONG THIS LINE



RANGE HOOD LOCATION INSTRUCTIONS:

- LOCATE CENTER OF COOKTOP
- DRAW VERTICAL LINE ON WALL TO CEILING
- FROM INSTALLATION GUIDE CHART - DETERMINE DESIRED VENT HOOD HEIGHT
- DRAW HORIZONTAL LINE AT THIS HEIGHT
- LOCATE AND TAPE TEMPLATE TO THE WALL FOR PROPER INSTALLATION
- REFER TO INSTALLATION MANUAL FOR PROPER ASSEMBLY

NOTE: LOWER AND UPPER MOUNTING HOLES ON RANGE HOOD BODY SHOULD BE ATTACHED TO WOOD STRUCTURE TO SUPPORT 150 LBS.
REFER TO INSTALLATION GUIDE FOR DETAILS

15.67

