



Frigidaire

Factory Parts Catalog

Product No.	GLMV169FPBB	GLMV169FPBC	GLMV169FPWB
Market	North America	North America	North America
Color	black	black	white
Volts	120	120	120
Watts	1000	1000	1000
Wiring Diagram	5995503785	5995503785	5995503785
Owner's Guide	316137231	316137231	316137231
Installation Instructions	316137234	316137234	316137234

 **Electrolux**

Electrolux Major Appliances
North & Latin America
P.O. BOX 212378
AUGUSTA, GA 30917

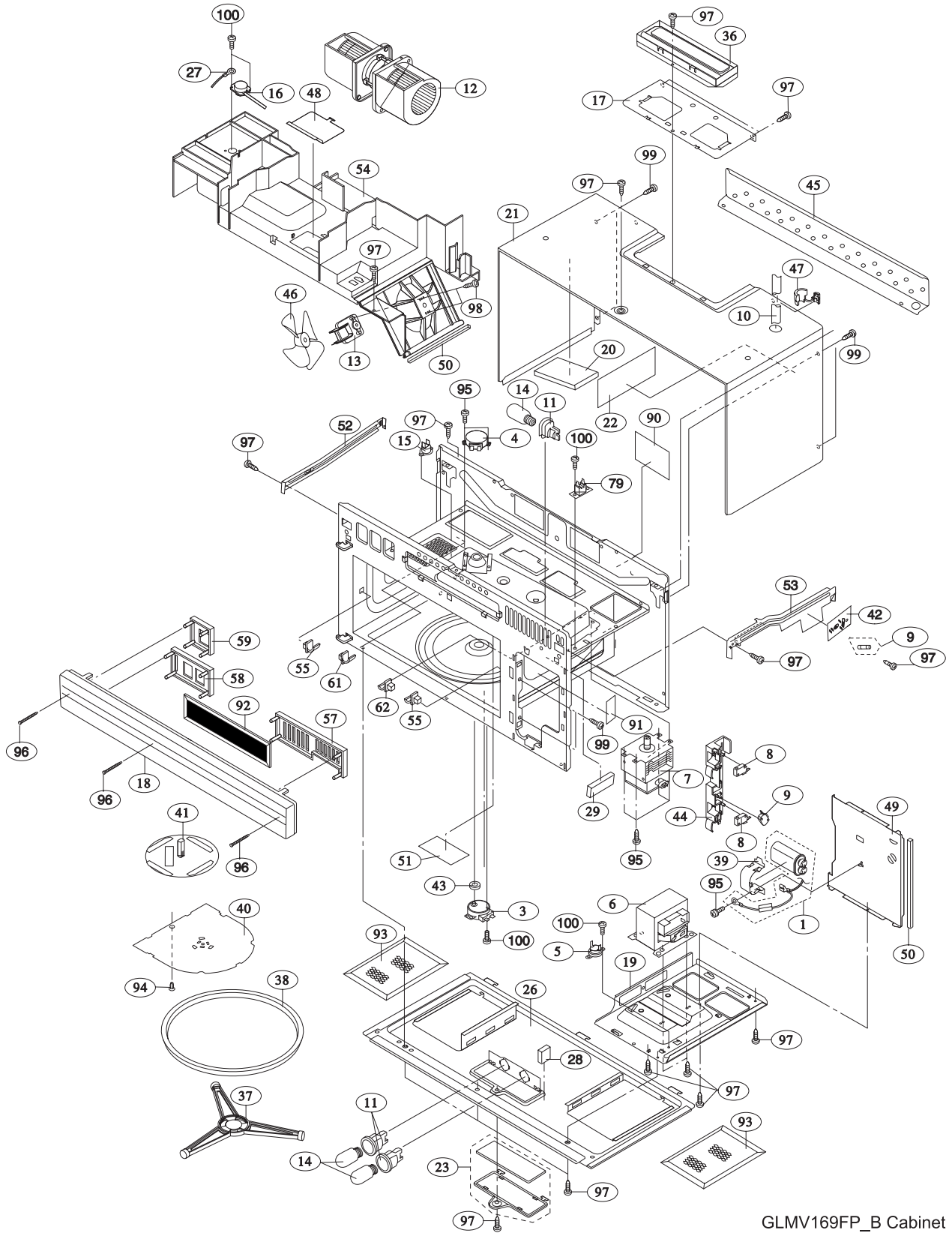
Publication No.
5995503785
07/11/09
(EN/SERVICE/KC)
099

**OVER-RANGE
MICROWAVE**

Model No.
GLMV169FP

Copyright © 2007 Electrolux Home Products, Inc.
All rights reserved.

OVEN, CABINET



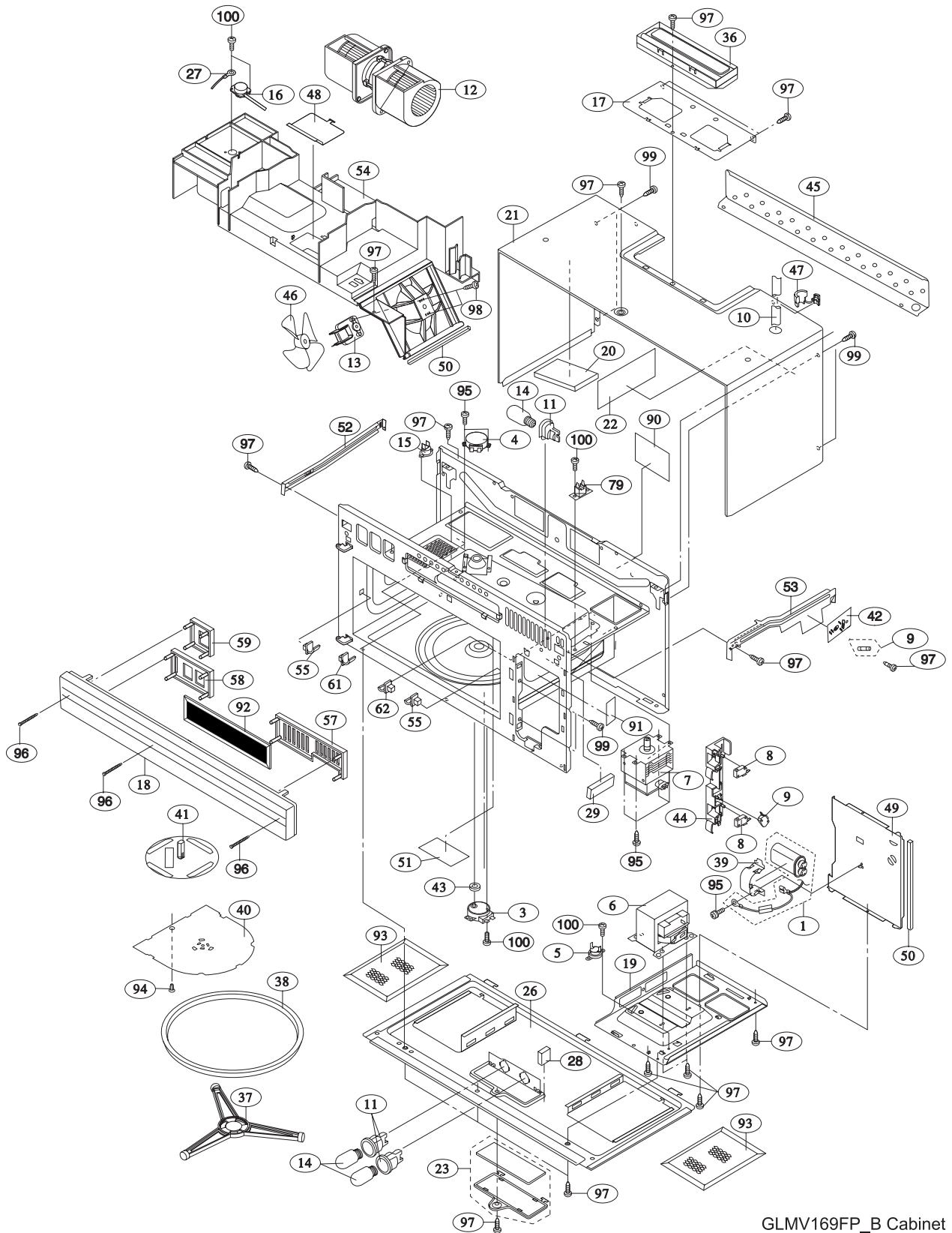
GLMV169FP_B Cabinet

OVEN,CABINET

Model Index: A GLMV169FP (GLMV169FPBB)
 B GLMV169FP (GLMV169FPBC)
 C GLMV169FP (GLMV169FPWB)

POS. NO	PART NO.		DESCRIPTION
1 #	5304461352	A B C	Rectifier, high voltage
3 #	5304448488	A B C	Motor, turntable
4 #	5304448489	A B C	Motor, stirrer fan
5 #	5304440023	A B C	Thermal Cutout, hood
6 #	5304456053	A B C	Transformer, power
7 #	5304461353	A B C	Magnetron
8 #	5304440026	A B C	Switch, interlock, door sensor
9 #	5303319559	A B C	Switch, monitor, w/ceramic fuse
10 #	5304440028	A B C	Power Cord, electric
11 #	5303319561	A B C	Receptacle, lamp socket, oven
12 #	5304440029	A B C	Motor, hood fan
13 #	5304448490	A B C	Motor, cooling fan
14	5304440031	A B C	Lamp, incandescent, 20 W, (3)
15 #	5304440032	A B C	Thermal Cutout, oven cavity
16 #	5304440033	A B C	Sensor, humidity, cook control
17	5304440232	A B C	Plate, rear stay
18	5304454555	A B -	Grille, exhaust, black
18	5304440234	- - C	Grille, exhaust, white
19	5304464340	A B C	Base, transformer, right side
20	5304440237	A B C	Cushion, cabinet
21	5304445465	A B -	Cabinet, outer casing, black
21	5304445466	- - C	Cabinet, outer casing, white
22	5304451803	A B C	Wiring Diagram, schematic, label
23	5303319573	A B -	Lens/Frame Assy, lamp
23	5304458209	- - C	Lens/Frame Assy, lamp, white
26	5304464341	A B -	Cover, unit base, black
26	5304464342	- - C	Cover, unit base, white
27 #	5304440339	A B C	Wire, sensor ground
28	5304441369	A B C	Cushion, cavity top pnl
29	5304441370	A B C	Cushion, magnetron pad
36	5304464343	A B C	Damper Assembly, exhaust
37	5304440284	A B C	Support Assy, turntable
38	5304440285	A B C	Tray, turntable, glass
39	5303319587	A B C	Retainer, capacitor strap
40	5304440286	A B C	Cover, stirrer fan
41 #	5304440287	A B C	Stirrer Assembly
42 #	5304451818	A B C	Filter, noise, electronic
43	5304440288	A B C	Bushing, motor shaft, turntable
44	5304440289	A B C	Latch Hook
45	5304464344	A B C	Bracket, unit mtg plate, rear
46 #	5304440291	A B C	Fan Blade, mag cooling fan
47	5303319605	A B C	Bushing, grommet, power cord
48	5304440292	A B C	Cover, oven lamp
49	5304440293	A B C	Duct, hood intake, right side
50	5304440294	A B C	Cushion, intake duct
51	5304440295	A B C	Lens, lamp filter
52	5304461366	A B C	Support, chassis, left side
53	5304461367	A B C	Support, chassis, right side

OVEN, CABINET



GLMV169FP_B Cabinet

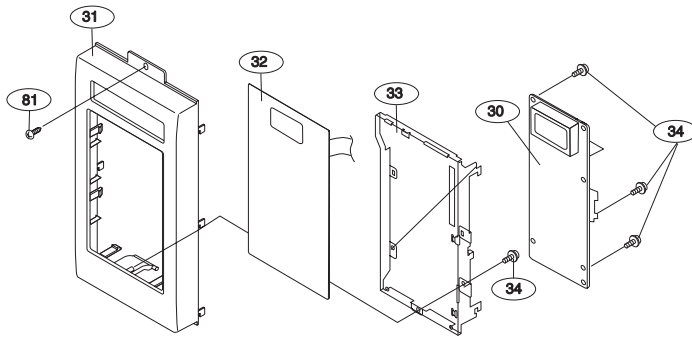
OVEN,CABINET

Model Index: A GLMV169FP (GLMV169FPBB)
 B GLMV169FP (GLMV169FPBC)
 C GLMV169FP (GLMV169FPWB)

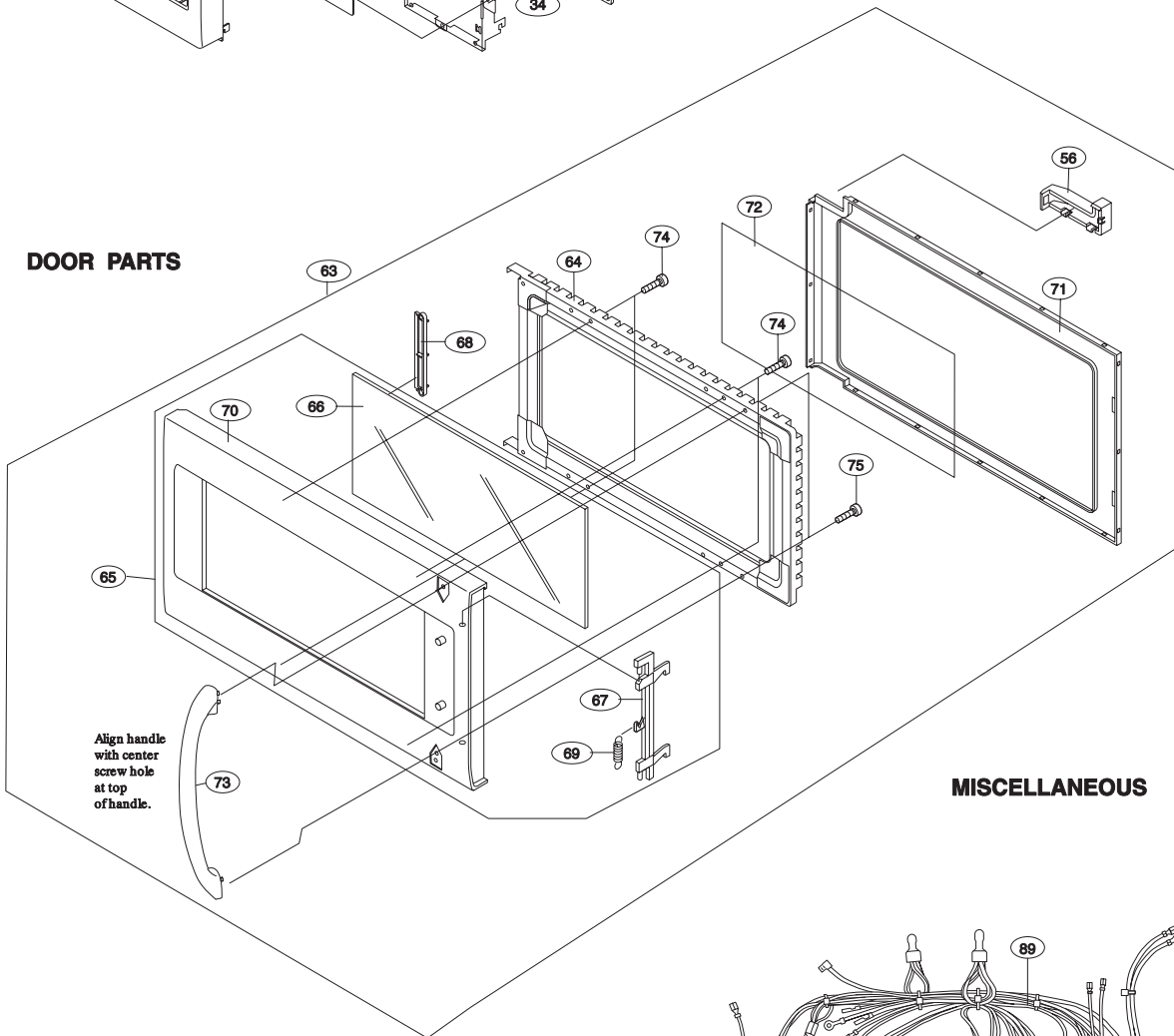
POS. NO	PART NO.		DESCRIPTION
54	5304451828	A B C	Duct, exhaust hood
55	5304440299	A B C	Support, rack, front
57	5304459558	A B -	Cover A, grille louver
58	5304464347	A B -	Cover B, grille louver
59	5304464348	A B -	Cover C, grille louver
61	5304441371	A B C	Support, rack, left rear
62	5304441372	A B C	Support, rack, right rear
79 #	5303319550	A B C	Fuse, magnetron
90	5304440333	A B C	Label, Caution-DHHS
91	5304440334	A B C	Label, Caution-monitor
92	5304440335	A B C	Filter, inside exhaust, charcoal
93	5303319568	A B C	Filter, grease, (2)
94	5304440337	A B C	Clip, canoe type, stirrer cover
95	5303319636	A B C	Screw
96	5303319640	A B -	Screw, black
96	5303319663	- - C	Screw, white
97	5304451553	A B C	Screw, 4 mm x 12 mm
98	5304451555	A B C	Screw, 4 mm x 8 mm
99	5303319641	A B C	Screw
100	5304453725	A B C	Screw, 3mm x 8mm

CONTROL PANEL, DOOR, MISC.

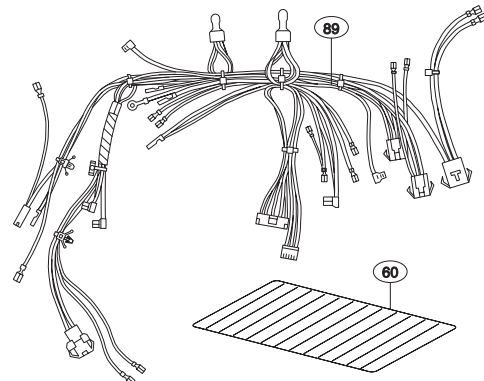
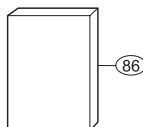
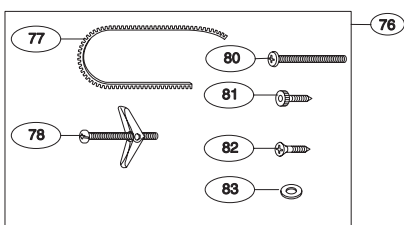
CONTROL PANEL PARTS



DOOR PARTS



MISCELLANEOUS



GLMV169FP_B Controls

CONTROL PANEL,DOOR,MISC.

Model Index: A GLMV169FP (GLMV169FPBB)
 B GLMV169FP (GLMV169FPBC)
 C GLMV169FP (GLMV169FPWB)

POS. NO	PART NO.		DESCRIPTION
30 #	5304440245	A B C	Control Board, printed circuit
31	5304456928	A B -	Frame, control panel, black
31	5304456929	- - C	Frame, control panel, white
32 #	5304443989	A B -	Touch Control, key pad, black
32 #	5304443990	- - C	Touch Control, key pad, bisque
33	5304440281	A B C	Panel, control mount
34	5304456930	A B C	Screw, 3 mm x 10 mm
56	5304440300	A B C	Door Stop
60	5304440338	A B C	Rack, microwave oven, wire
63 #	5304462864	A B -	Door Assy, black, w/handle
63 #	5304462865	- - C	Door Assy, white, w/handle
64	5304440305	A B -	Panel, inner door, black
64	5304440306	- - C	Panel, inner door, white
65	5304440308	A B -	Panel Assy, outer door, black, w/glass & latch
65	5304440309	- - C	Panel Assy, outer door, white, w/glass & latch
66	5304440311	A B -	Panel, glass, door front
66	5304440312	- - C	Panel, glass, door front
67	5304440314	A B C	Latch, door
68	5304440315	A B C	Clip, glass retainer, door
69	5304440316	A B C	Spring, door latch
70	5304451829	A B -	Frame, outer door, black
70	5304440318	- - C	Frame, outer door, white
71	5304440320	A B C	Frame, choke cover, inner door
72	5304440321	A B C	Seal, door, film
73	5304462866	A B -	Handle, door, black
73	5304462867	- - C	Handle, door, white
74	5304451561	A B C	Screw, 4 mm x 8 mm
75	5304456146	A B C	Screw, 4 mm x 12 mm
76	5303319625	A B C	Hardware, installation, kit
77	5303318761	A B C	Sleeve, power cord, grommet
78	5303318762	A B C	Screw, toggle
80	5304453895	A B C	Screw, 5mm x 85mm
81	5304451553	A B C	Screw, 4 mm x 12 mm
82	5304453723	A B C	Screw, 5mm x 35mm
83	5304453724	A B C	Washer
86	5304451830	A B C	Template, installation, top
86	5304464350	A B C	Template, installation, wall
89 #	5304461378	A B C	Wiring Harness, main-A

WIRING SCHEMATIC

SCHEMATIC
 NOTE: CONDITION OF OVEN
 1. DOOR CLOSED
 2. CLOCK APPEARS ON DISPLAY

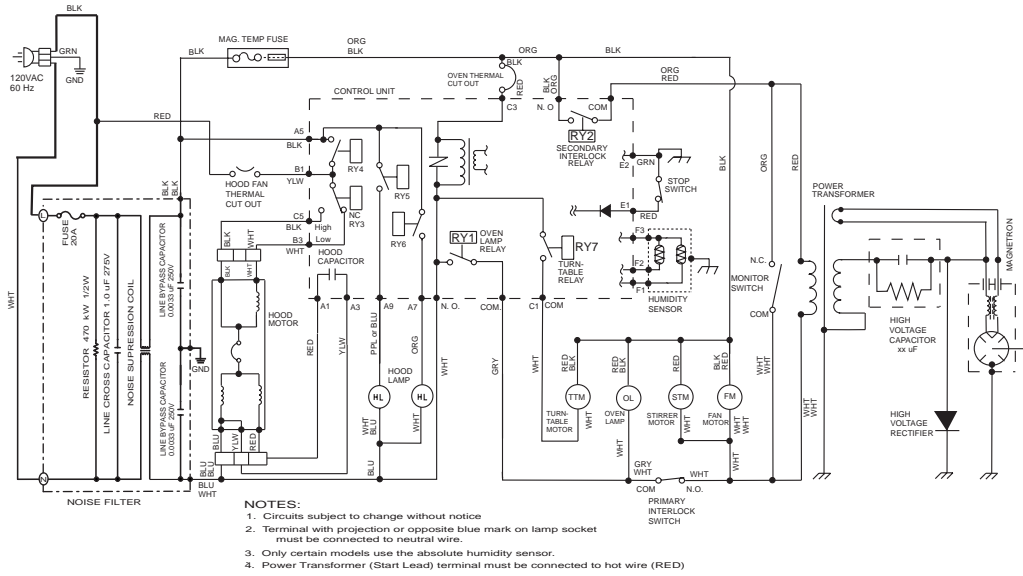


Figure O-1. Oven Schematic-Off Condition

SCHEMATIC
 NOTE: CONDITION OF OVEN
 1. DOOR CLOSED
 2. COOKING TIME PROGRAMMED
 3. VARIABLE COOKING CONTROL "HIGH"
 4. "START" PAD TOUCHED

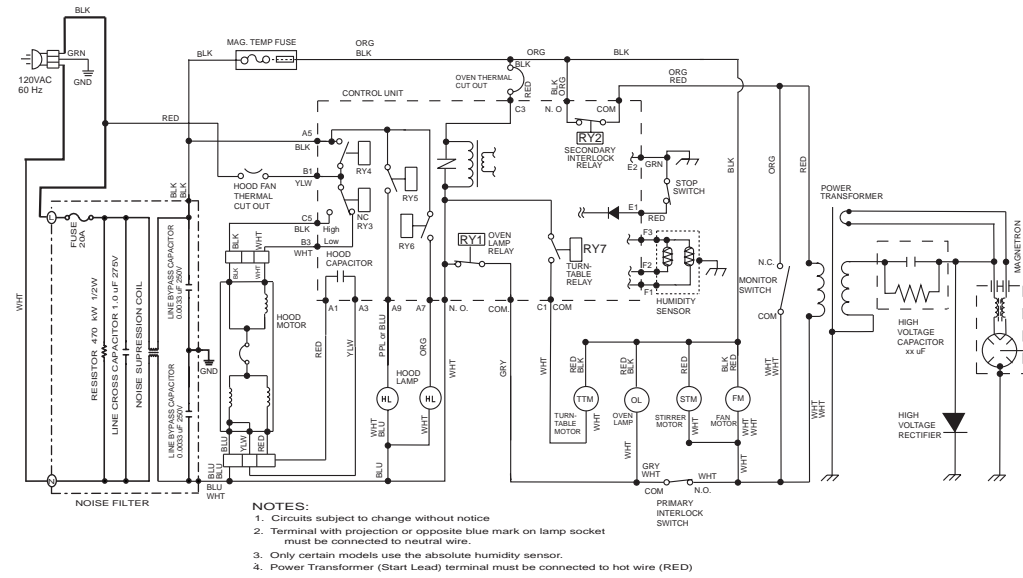


Figure O-2. Oven Schematic-Cooking Condition