

Factory Parts Catalog

| | | |
|---------------------------|-----------------|-----------------|
| Product No. | E30MO75HPSA | E30MO75HSSA |
| Market | North America | North America |
| Color | stainless steel | stainless steel |
| Volts | 120 | 120 |
| Watts | 900 | 900 |
| Wiring Diagram | 5995572806 | 5995572806 |
| Owner's Guide | TINSEB493MRR1 | TINSEB493MRR1 |
| Installation Instructions | TINSEB504MRR0 | TINSEB504MRR0 |



Electrolux Major Appliances

P.O. BOX 8020
CHARLOTTE, NC 28262

This Catalog replaces 5995553806

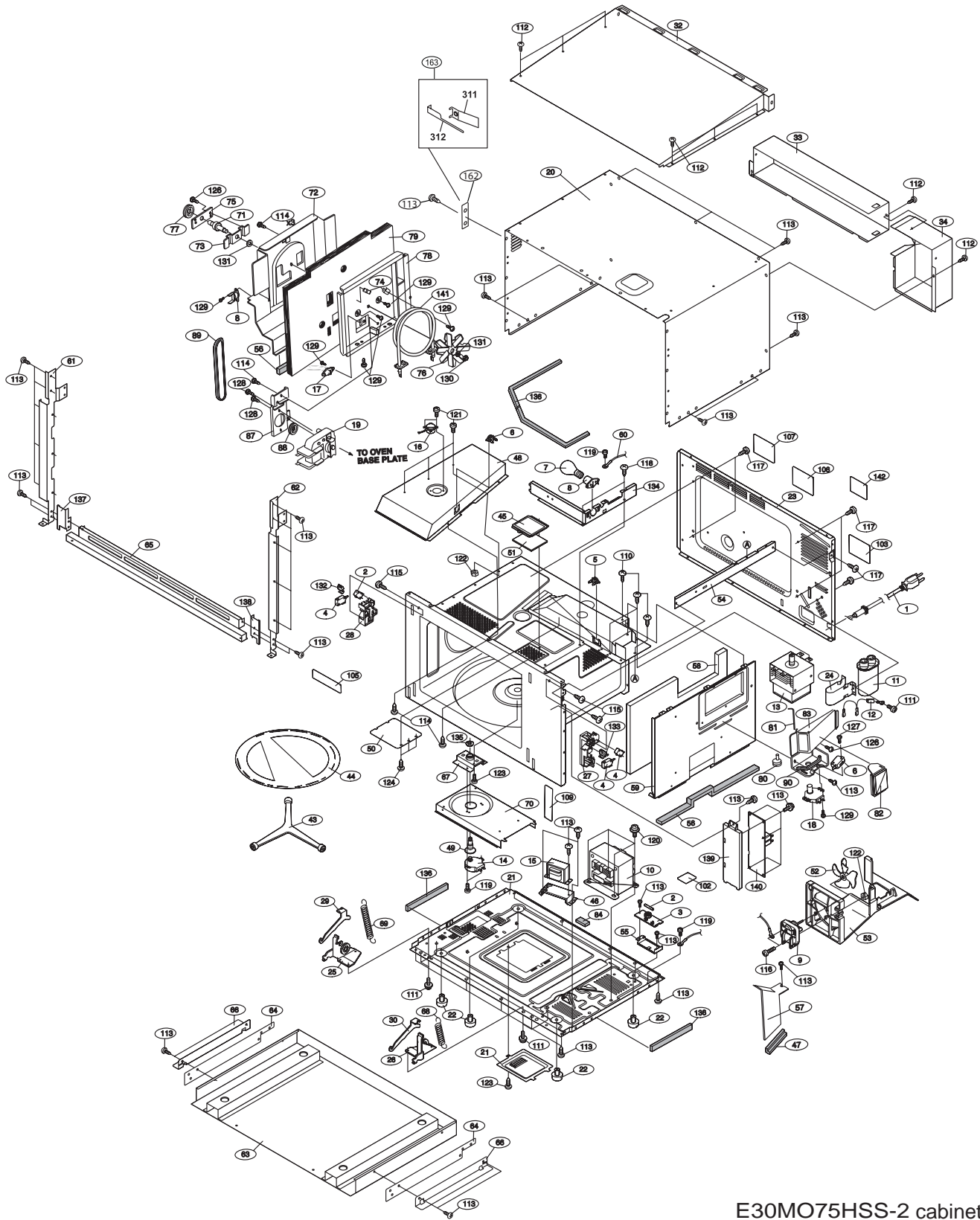
Publication No.
5995572806

10/08/19
(EN/SERVICE/KC)
099

BUILT-IN MICROWAVE

Model No.
E30MO75HP /
E30MO75HS

OVEN, CABINET



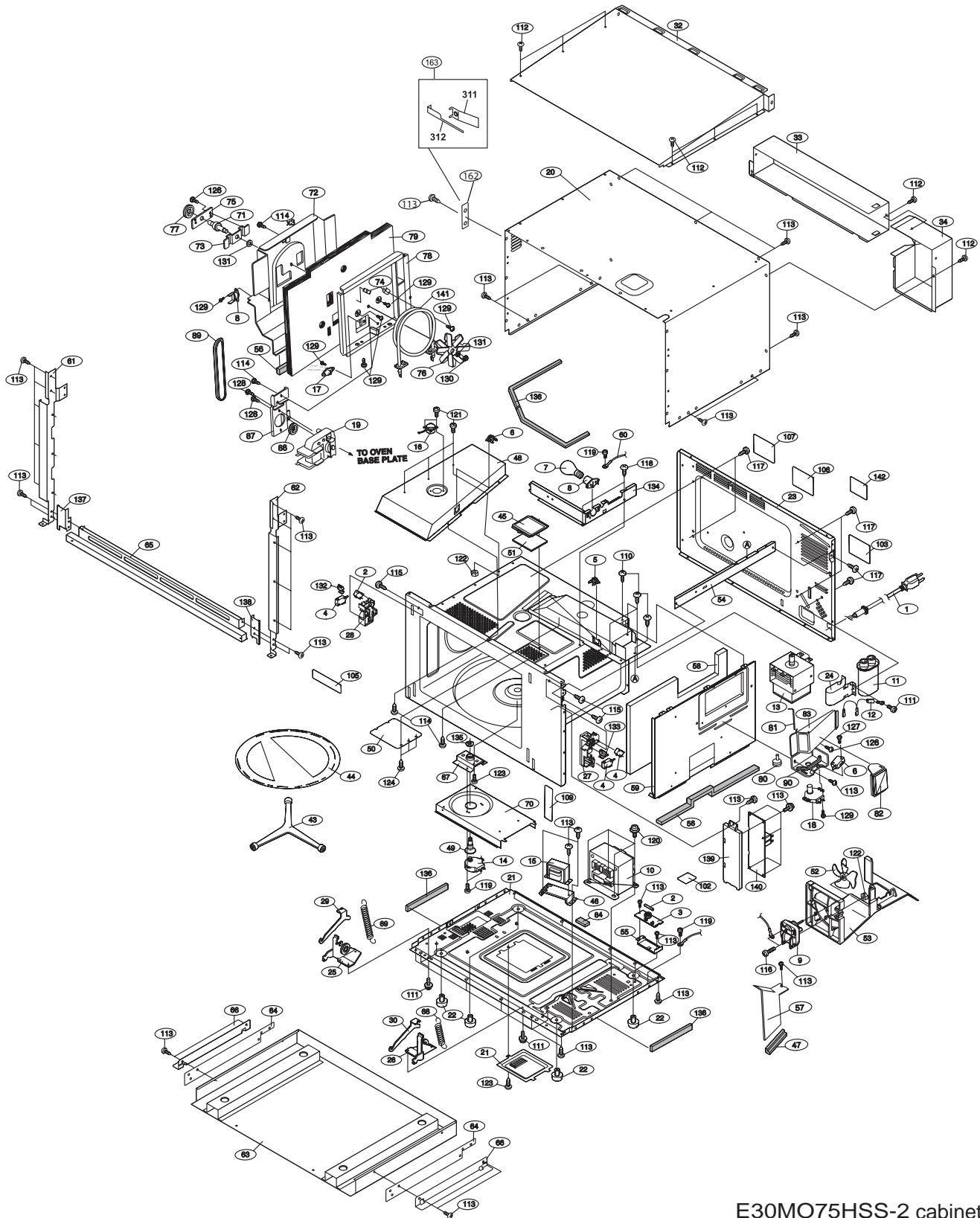
E30MO75HSS-2 cabinet

OVEN,CABINET

Model Index: A E30MO75HP (E30MO75HPSA)
B E30MO75HS (E30MO75HSSA)

| POS. NO | PART NO. | | DESCRIPTION |
|---------|------------|-----|---------------------------------------|
| 1 # | 5304470537 | A B | Power Cord, electric |
| 2 # | 5304461109 | A B | Assembly, fuse & switch, monitor |
| 3 # | 5304461110 | A B | Filter, noise |
| 4 # | 5304440026 | A B | Switch, interlock, door sensor |
| 5 # | 5304461113 | A B | Thermal Cut-Out, magnetron |
| 6 # | 5304461114 | A B | Thermal Cut-Out, convection/oven, (2) |
| 7 | 5304464198 | A B | Lamp, oven light |
| 8 # | 5304463785 | A B | Lampholder, socket |
| 9 # | 5304461119 | A B | Motor, fan |
| 10 # | 5304470538 | A B | Transformer, power |
| 11 # | 5304470539 | A B | Capacitor, high voltage |
| 12 # | 5304461122 | A B | Rectifier, high voltage |
| 13 # | 5304470540 | A B | Magnetron |
| 14 # | 5304461124 | A B | Motor, turntable |
| 15 # | 5304470541 | A B | Transformer, low voltage |
| 16 # | 5304461125 | A B | Sensor Assembly, AH |
| 17 # | 5304461112 | A B | Thermistor |
| 18 # | 5304461115 | A B | Motor, damper |
| 19 # | 5304471782 | A B | Motor, convection fan |
| 20 | 5304470542 | A B | Cabinet, outer casing |
| 21 | 5304470734 | A B | Base, chassis, w/motor cover |
| 22 | 5304461127 | A B | Foot, cabinet, (4) |
| 23 | 5304470544 | A B | Panel, cabinet back |
| 24 | 5304461129 | A B | Holder, capacitor |
| 25 | 5304470545 | A B | Hinge, oven door, left |
| 26 | 5304470546 | A B | Hinge, oven door, right |
| 27 | 5304470547 | A B | Latch Hook, right side |
| 28 | 5304470548 | A B | Latch Hook, left side |
| 29 | 5304470549 | A B | Cam, door, left |
| 30 | 5304470550 | A B | Cam, door, right |
| 32 | 5304470552 | A B | Cover, front |
| 33 | 5304470553 | A B | Duct, B |
| 34 | 5304470554 | A B | Duct, C |
| 43 | 5304470562 | A B | Support, turntable, with rollers |
| 44 | 5304470563 | A B | Tray, turntable, glass |
| 45 | 5304461155 | A B | Frame, light lens |
| 46 | 5304470564 | A B | Bracket, mounting, transformer |
| 47 | 5304461157 | A B | Cushion |
| 48 | 5304461158 | A B | Duct Assembly, steam release |
| 49 | 5304451450 | A B | Coupler, turntable/motor |
| 50 | 5304461165 | A B | Cover, waveguide |
| 51 | 5304461167 | A B | Lens, light |
| 52 # | 5304461173 | A B | Blade, fan |
| 53 | 5304461174 | A B | Duct, cooling fan |
| 54 | 5304461175 | A B | Support, chassis |
| 55 | 5304461178 | A B | Bracket, noise filter, angle |
| 56 | 5304461156 | A B | Cushion |
| 57 | 5304461181 | A B | Guide, air, magnetron |
| 58 | 5304461182 | A B | Sheet, thermal, protection |
| 59 | 5304461183 | A B | Cover, thermal sheet, panel |
| 60 # | 5304461196 | A B | Wiring Harness, thermistor |
| 61 | 5304470565 | A B | Trim, left side |
| 62 | 5304470566 | A B | Trim, right side |
| 63 | 5304470569 | A B | Duct, exhaust |
| 64 | 5304470570 | A B | Angle, bottom |
| 65 | 5304470571 | A B | Louver, inlet, 27 inch |
| 66 | 5304470572 | A B | Angle, shipping |
| 67 | 5304451459 | A B | Bracket, turntable mount |
| 68 | 5304470573 | A B | Spring, door, right side |
| 69 | 5304470575 | A B | Spring, door, left side |
| 70 | 5304470576 | A B | Insulator, thermal barrier |

OVEN, CABINET



E30MO75HSS-2 cabinet

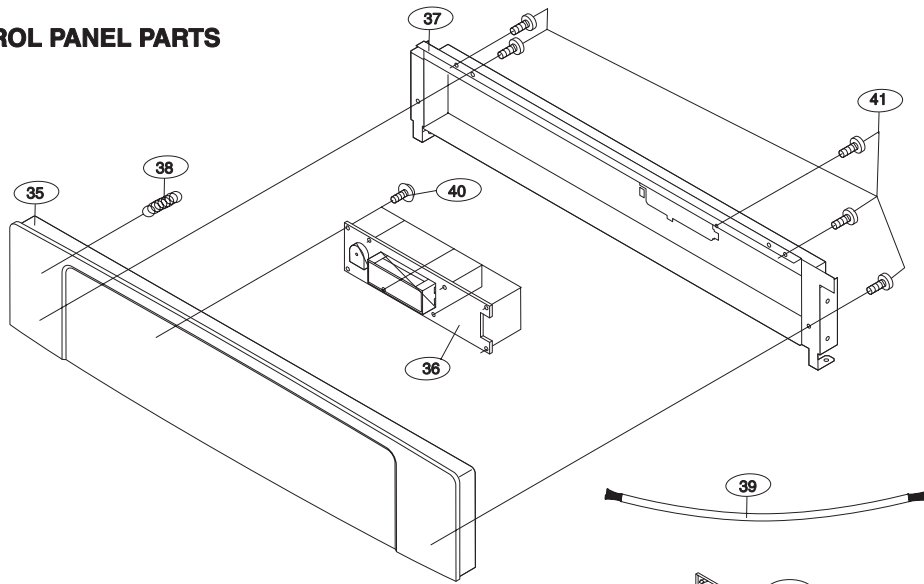
OVEN,CABINET

Model Index: A E30MO75HP (E30MO75HPSA)
B E30MO75HS (E30MO75HSSA)

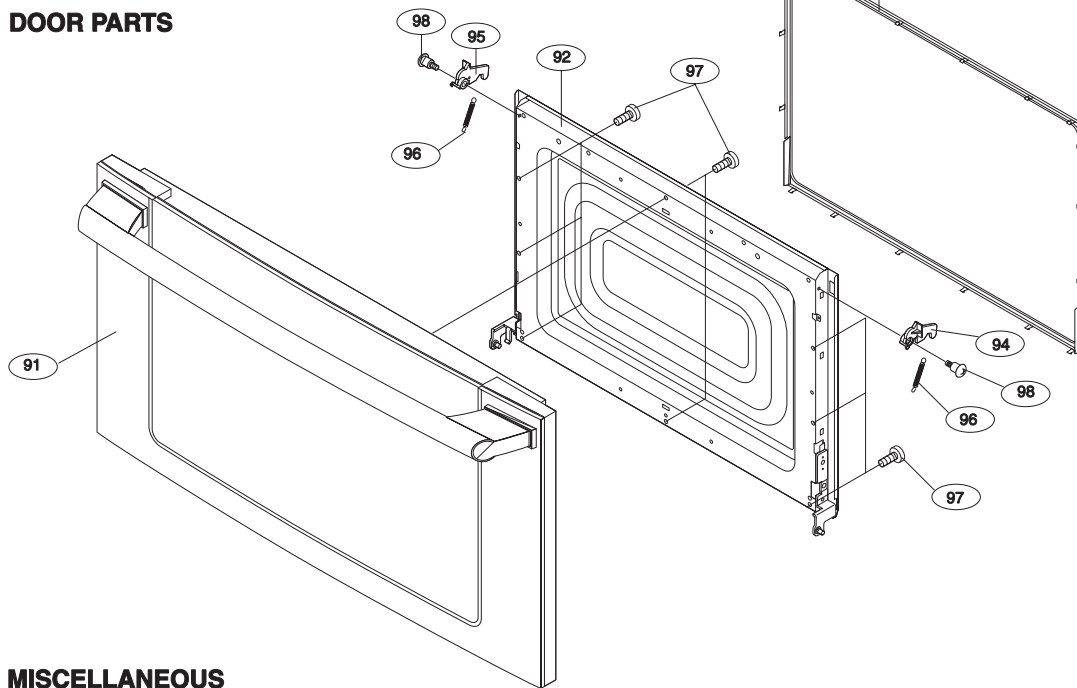
| POS. NO | PART NO. | | DESCRIPTION |
|---------|------------|-----|---|
| 71 # | 5304461146 | A B | Bearing Assembly |
| 72 | 5304461147 | A B | Plate, thermal protect, LH |
| 73 | 5304461148 | A B | Plate, bearing mtg |
| 74 | 5304461149 | A B | Holder, element |
| 75 | 5304461150 | A B | Plate, bearing holder |
| 76 # | 5304461151 | A B | Fan Blade, convection |
| 77 # | 5304471508 | A B | Pulley, convection fan |
| 78 | 5304471509 | A B | Duct Assembly, heater |
| 79 | 5304461154 | A B | Sheet, thermal protect, LH |
| 80 | 5304461159 | A B | Cam, damper |
| 81 | 5304461160 | A B | Shaft, damper |
| 82 | 5304461161 | A B | Door Assembly, damper |
| 83 | 5304461162 | A B | Duct, damper |
| 84 | 5304461163 | A B | Cushion |
| 87 | 5304461172 | A B | Plate, motor mtg, convection |
| 88 # | 5304461152 | A B | Pulley, motor, convection fan |
| 89 # | 5304461177 | A B | Belt, convection fan |
| 90 | 5304461179 | A B | Cushion, damper duct |
| 102 | 5304440334 | A B | Label, Caution-monitor |
| 103 | 5304465314 | A B | Label, NHW caution |
| 105 | 5304451534 | A B | Label, User Caution, French |
| 106 | 5304470585 | A B | Label, height caution |
| 107 | 5304440333 | A B | Label, Caution-DHHS |
| 109 | 5304471514 | A B | Label, menu |
| 110 | 5303319636 | A B | Screw |
| 111 | 5304451550 | A B | Screw, 4 mm x 8 mm |
| 112 | 5304451552 | A B | Screw, 4 mm x 8 mm, silver |
| 113 | 5304451553 | A B | Screw, 4 mm x 12 mm |
| 114 | 5304461203 | A B | Screw, 4mm x 10mm, (14) |
| 115 | 5303319641 | A B | Screw |
| 116 | 5304461209 | A B | Screw, 4mm x 25mm, (2) |
| 117 | 5304470587 | A B | Screw |
| 118 | 5304461215 | A B | Screw, 4mm x 8mm, (6) |
| 119 | 5304470588 | A B | Screw |
| 120 | 5304461221 | A B | Screw, 6mm x 14mm, (2) |
| 121 | 5304470589 | A B | Screw |
| 122 | 5304470590 | A B | Nut, special |
| 123 | 5304450253 | A B | Screw, 4 mm x 8 mm |
| 124 | 5304461210 | A B | Screw, 4mm x 6mm, (7) |
| 126 | 5304461204 | A B | Screw, 4mm x 8mm, (2) |
| 127 | 5304461208 | A B | Screw, 3mm x 14mm |
| 128 | 5304471515 | A B | Screw |
| 129 | 5304461216 | A B | Screw, 3mm x 6mm |
| 130 | 5304451547 | A B | Nut, element, 4 mm x 3.2 mm, (4) |
| 131 | 5304461214 | A B | Washer |
| 132 | 5304470591 | A B | Lever, switch actuator, left |
| 133 | 5304470592 | A B | Lever, switch actuator, right |
| 134 | 5304461171 | A B | Guide, air, RH |
| 135 | 5304451470 | A B | Packing, silicon |
| 136 | 5304461166 | A B | Cushion, (4) |
| 137 | 5304470593 | A B | Trim, decorative, left side |
| 138 | 5304470594 | A B | Trim, decorative, right side |
| 139 | 5304470735 | A B | Holder, power board |
| 140# | 5304480616 | A B | Power Board, printed circuit |
| 141# | 5304461120 | A B | Element, heating, convection |
| 142 | 5304471516 | A B | Label, height caution |
| 162 | 5304451562 | A B | Bracket, oven retainer, anti-tip |
| 163 | 5304451563 | A B | Anti-tip Kit, w/brackets, tools, screws |
| 311 | 318246000 | A B | Bracket, cabinet, anti-tip |
| 311* | 5303211311 | A B | Screw, 8-18 x 0.500 |
| 311* | 5304438005 | A B | Screw, 6 x 1, black |
| 312 | 318246702 | A B | Tool, oven release, RH key |
| 312 | 318246703 | A B | Tool, oven release, LH key |

CONTROL PANEL, DOOR, MISC.

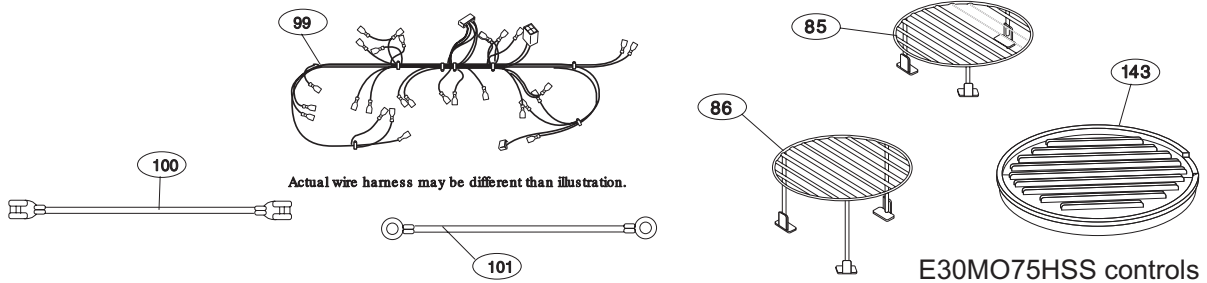
CONTROL PANEL PARTS



DOOR PARTS



MISCELLANEOUS



CONTROL PANEL,DOOR,MISC.

Model Index: A E30MO75HP (E30MO75HPSA)
B E30MO75HS (E30MO75HSSA)

| POS. NO | PART NO. | | DESCRIPTION |
|---------|------------|-----|-------------------------------------|
| 35 # | 5304471507 | A - | Touch Control, Professional |
| 35 # | 5304471506 | - B | Touch Control, Designer |
| 36 # | 5304470557 | A B | Display Board, CPU |
| 37 | 5304470558 | A B | Bracket, control mount |
| 38 | 5304470560 | A B | Spring, grounding |
| 39 # | 5304470561 | A B | Wiring Harness, power supply |
| 40 | 5304456930 | A B | Screw, 3 mm x 10 mm |
| 41 | 5304451517 | A B | Screw, 4 mm x 8 mm |
| 85 | 5304461194 | A B | Rack Assembly, broiling trivit, low |
| 86 | 5304461195 | A B | Rack Assembly, baking, high |
| 91 | 5304471511 | A - | Door, outer, Pro handle |
| 91 | 5304471510 | - B | Door, outer, Designer handle |
| 92 | 5304471512 | A B | Panel, inner door |
| 93 | 5304470579 | A B | Frame, inner door, choke cover |
| 94 | 5304470580 | A B | Latch Head, right side |
| 95 | 5304470581 | A B | Latch Head, left side |
| 96 | 5304470582 | A B | Spring, latch head |
| 97 | 5304451561 | A B | Screw, 4 mm x 8 mm |
| 98 | 5304470583 | A B | Screw |
| 99 # | 5304471513 | A B | Wiring Harness, main |
| 100# | 5304461198 | A B | Wire, high voltage, B |
| 101# | 5304461199 | A B | Wire, ground, cooling fan |
| 143 | 5304461261 | A B | Rack, bacon |

WIRING DIAGRAM

SCHEMATIC
 NOTE: CONDITION OF OVEN
 1. DOOR CLOSED.
 2. CLOCK APPEARS ON DISPLAY.

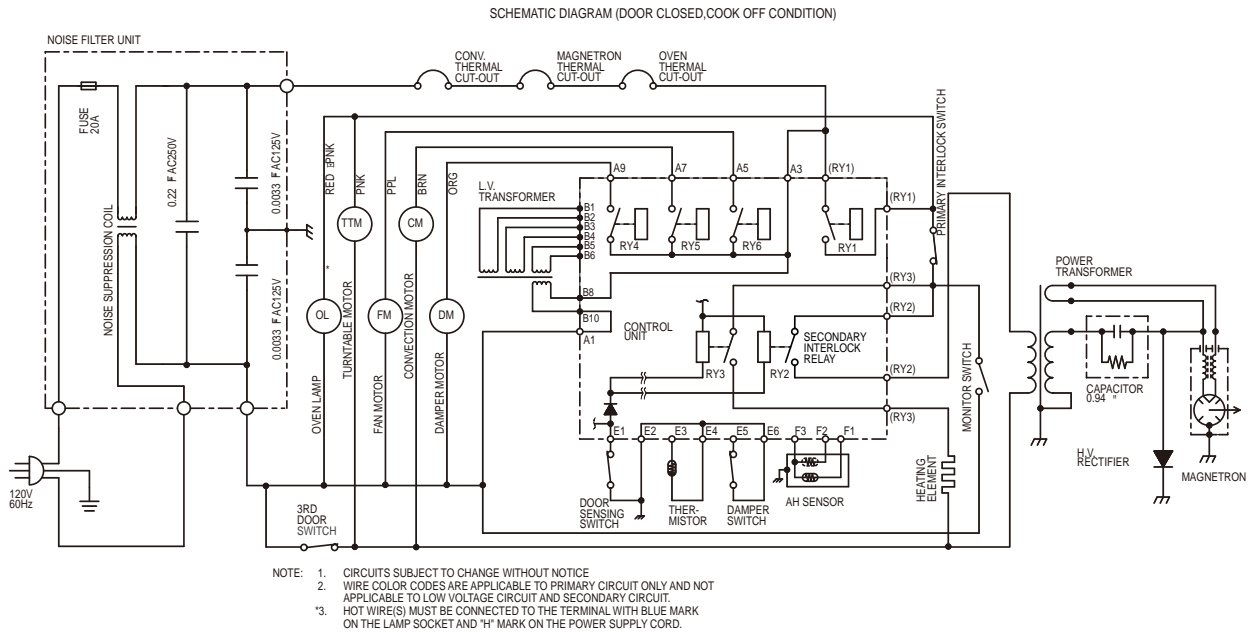


Figure O-1. Oven Schematic-OFF Condition

SCHEMATIC
 NOTE: CONDITION OF OVEN
 1. DOOR CLOSED.
 2. COOKING TIME PROGRAMMED.
 3. "START" PAD TOUCHED.

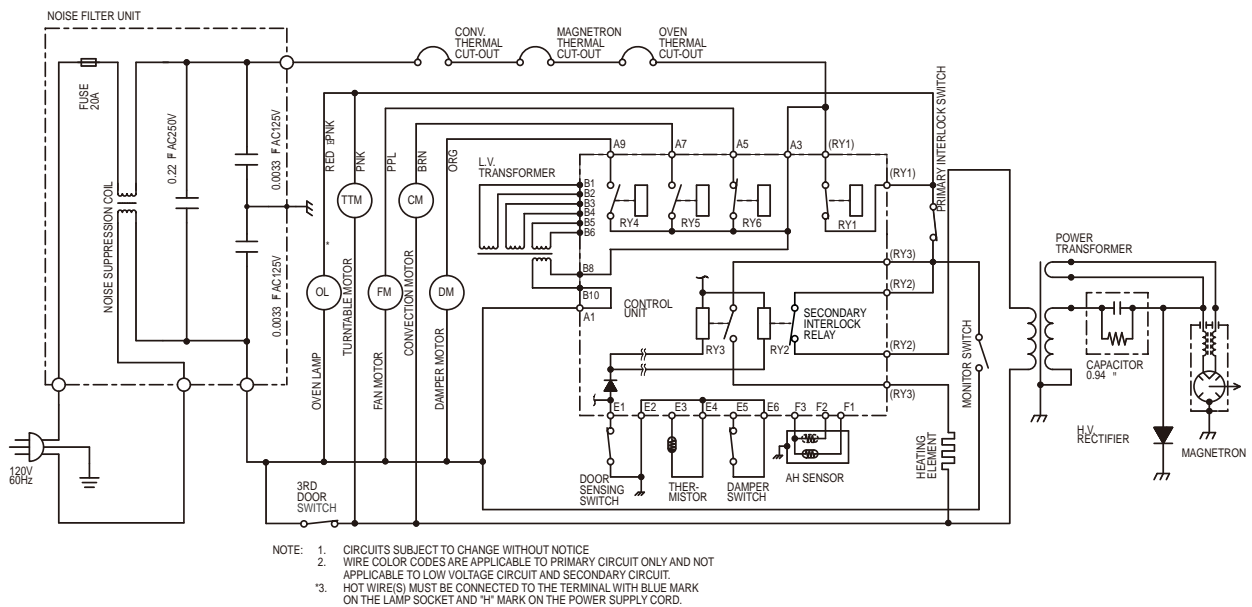


Figure O-2. Oven Schematic-Microwave Cooking Condition