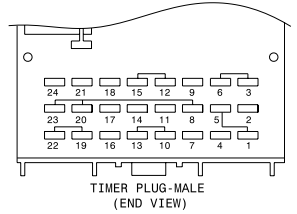
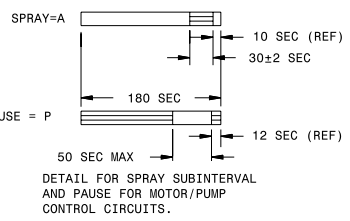
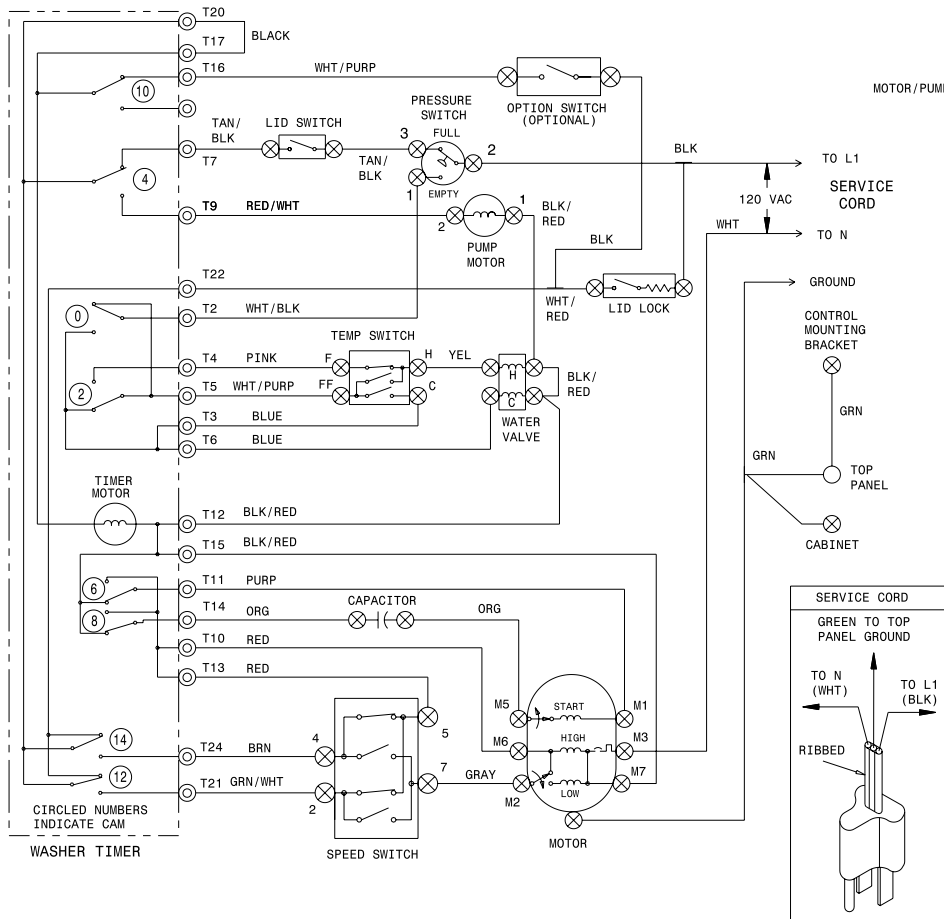
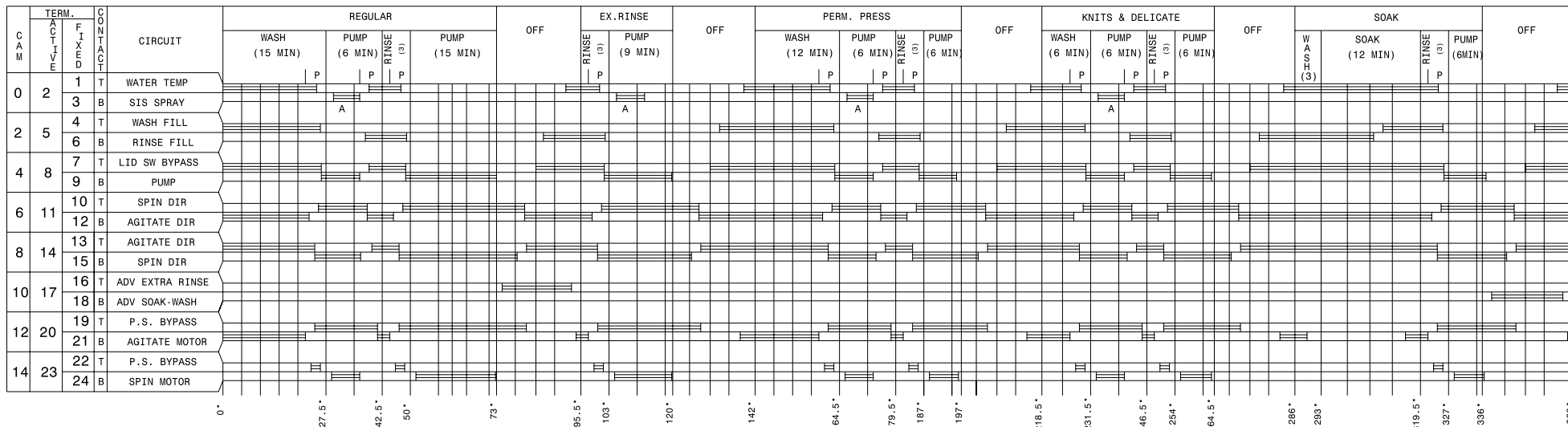


**CAUTION: DISCONNECT ELECTRIC CURRENT BEFORE SERVICING**



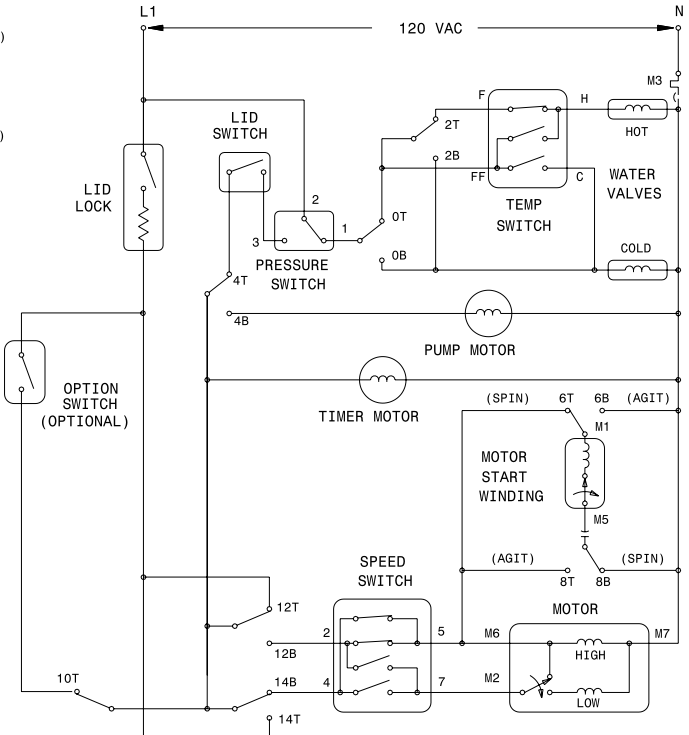
**WIRING CODES**

- ⊙ PLUG IN TIMER TERMINAL
- ⊗ QUICK DISCONNECT TERMINAL
- SCREW TERMINAL
- CONNECTION
- + NO CONNECTION
- ⊚ MOTOR SWITCH
- ⊚ SPLICE
- ⊚ MOTOR PROTECTOR
- ⊚ CHASSIS (CABINET) GROUND

**TEMPERATURE SWITCH CIRCUIT**

|                 | F-H | FF-H | FF-C |
|-----------------|-----|------|------|
| WASH/RINSE      |     |      |      |
| COLD/COLD       |     |      | X    |
| WARM/COLD       | X   |      | X    |
| HOT/COLD        | X   |      |      |
| WARM/WARM (OPT) |     | X    | X    |

X=CONTACTS CLOSED



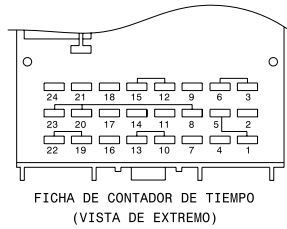
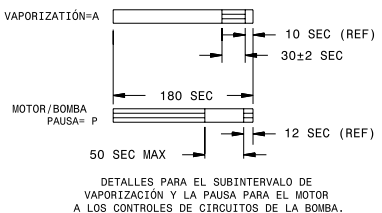
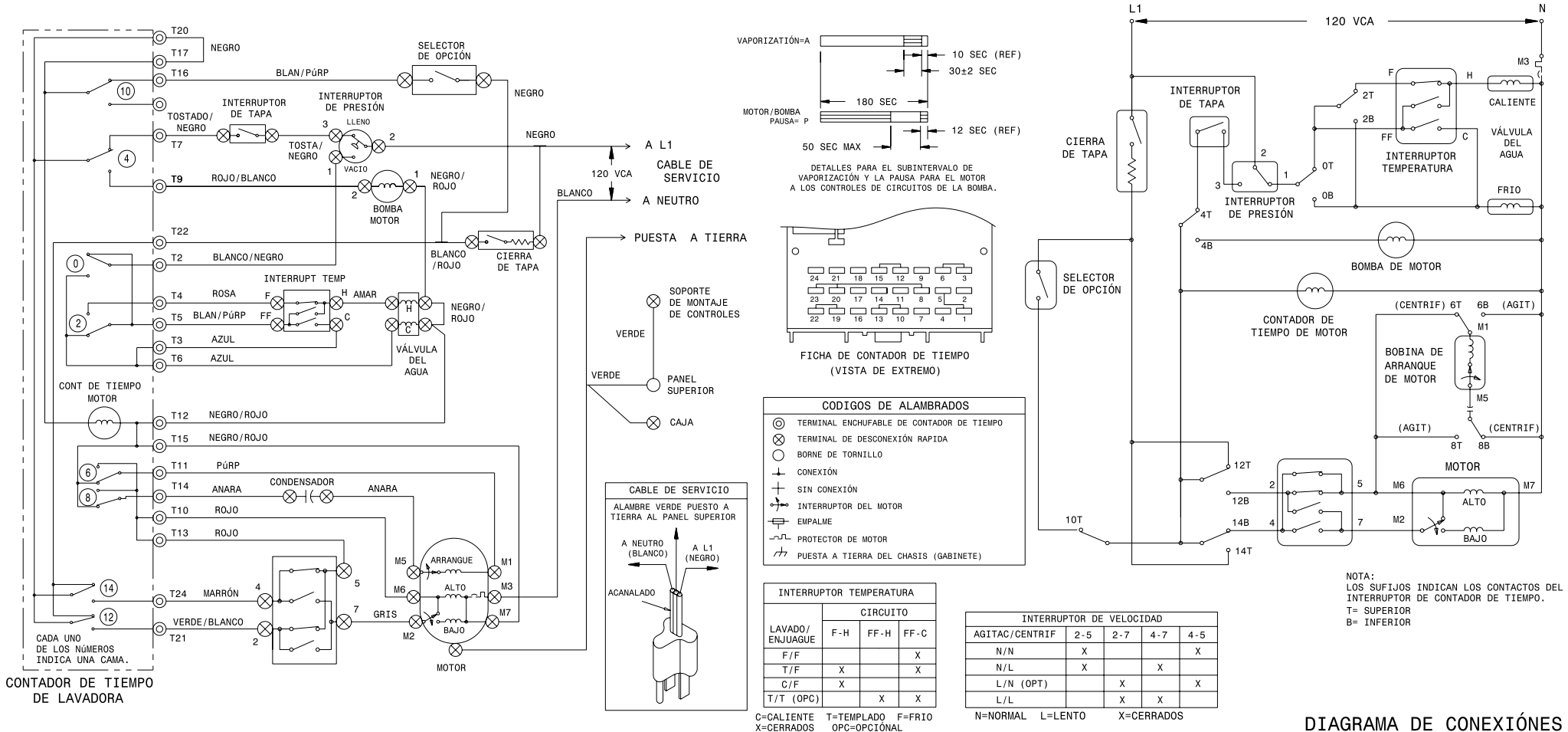
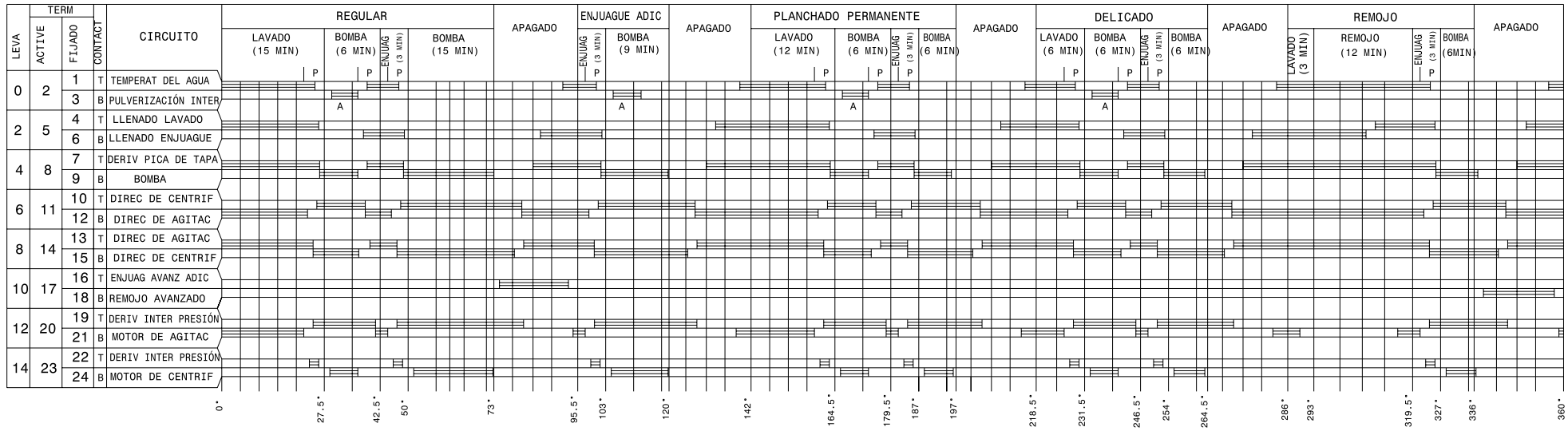
**SPEED SWITCH CIRCUIT**

|           | 2-5 | 2-7 | 4-7 | 4-5 |
|-----------|-----|-----|-----|-----|
| AGIT/SPIN |     |     |     |     |
| N/N       | X   |     |     | X   |
| N/S       | X   |     | X   |     |
| S/N (OPT) |     | X   |     | X   |
| S/S       |     | X   | X   |     |

N=NORMAL X=CONTACTS CLOSED  
S=SLOW

NOTE:  
SUFFIX INDICATES TIMER SWITCH CONTACTS  
T= TOP  
B= BOTTOM  
—= OPTIONAL ON SOME MODELS

**PRECAUCION: DESCONECTAR LA CORRIENTE ELECTRICA ANTES DE DAR SERVICIO A LA SECADORA.**



- CODIGOS DE ALAMBRADOS**
- ⊙ TERMINAL ENCHUFABLE DE CONTADOR DE TIEMPO
  - ⊗ TERMINAL DE DESCONEXIÓN RAPIDA
  - BORNE DE TORNILLO
  - CONEXIÓN
  - + SIN CONEXIÓN
  - ⊕ INTERRUPTOR DEL MOTOR
  - ⊖ EMPALME
  - ⊔ PROTECTOR DE MOTOR
  - ⊕ PUESTA A TIERRA DEL CHASIS (GABINETE)

**INTERRUPTOR TEMPERATURA**

| LAVADO/ ENJUAGUE | CIRCUITO |      |      |
|------------------|----------|------|------|
|                  | F-H      | FF-H | FF-C |
| F/F              |          |      | X    |
| T/F              | X        |      | X    |
| C/F              | X        |      |      |
| T/T (OPC)        |          | X    | X    |

**INTERRUPTOR DE VELOCIDAD**

|                | CIRCUITO |     |     |     |
|----------------|----------|-----|-----|-----|
|                | 2-5      | 2-7 | 4-7 | 4-5 |
| AGITAC/CENTRIF |          |     |     | X   |
| N/N            | X        |     |     |     |
| N/L            | X        |     | X   |     |
| L/N (OPT)      |          | X   |     | X   |
| L/L            |          | X   | X   |     |

C=CALIENTE T=TEMPLADO F=FRIO X=CERRADOS N=NORMAL L=LENTO X=CERRADOS

NOTA: LOS SUFIJOS INDICAN LOS CONTACTOS DEL INTERRUPTOR DE CONTADOR DE TIEMPO. T= SUPERIOR B= INFERIOR