

SERVICE DATA SHEET
GAS RANGES WITH MODULAR OVEN CONTROLS

NOTICE: This service data sheet is intended for use by persons having electrical and mechanical training and a level of knowledge of these subjects generally considered acceptable in the appliance repair trade. The manufacturer cannot be responsible, nor assume any liability, for injury or damage of any kind arising from the use of this data sheet.

IMPORTANT NOTE: This unit includes an EOC (electronic oven control). This board is not field-repairable.

Safe Servicing Practices

To avoid the possibility of personal injury and/or property damage, it is important that safe servicing practices be observed. The following are some, but not all, examples of safe practices.

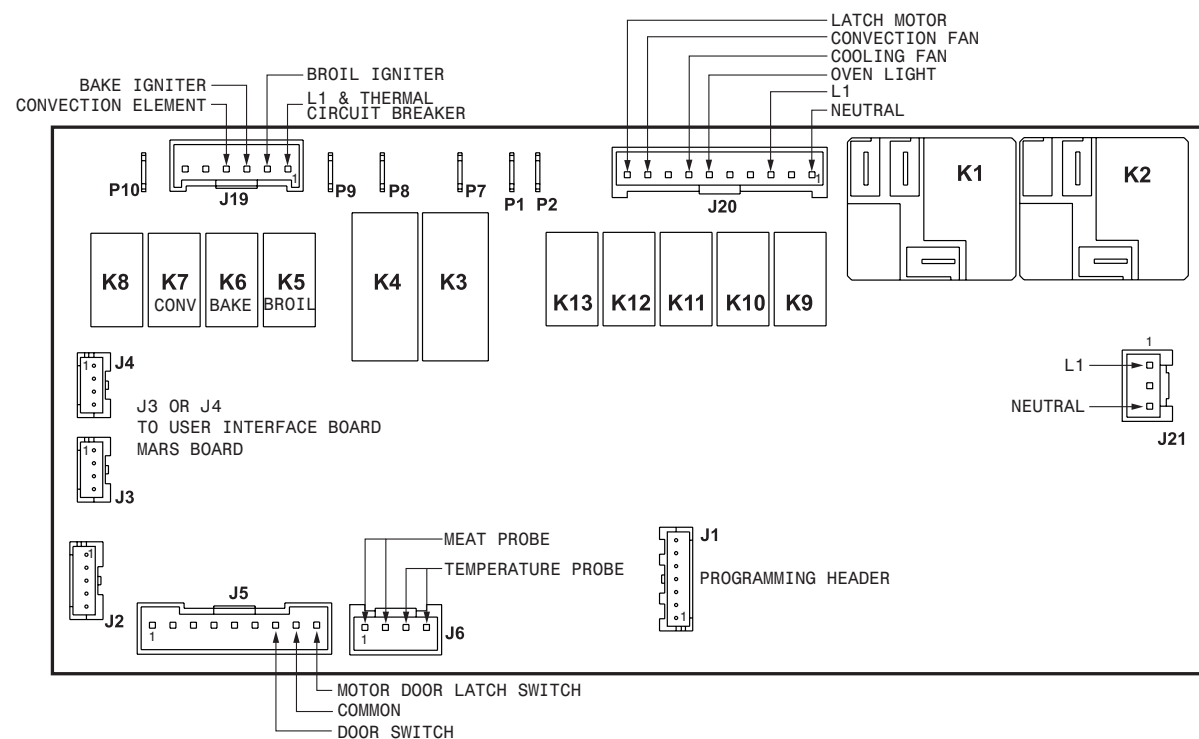
- Do not attempt a product repair if you have any doubts as to your ability to complete it in a safe and satisfactory manner.
- Before servicing or moving an appliance, remove power cord from electric outlet, trip circuit breaker to Off, or remove fuse.
- Never interfere with the proper installation of any safety device.
- Use only replacement parts specified for this appliance. Substitutions may not comply with safety standards set for home appliances.
- Grounding: The standard color coding for safety ground wires is green or green with yellow stripes. Ground leads are not to be used as current carrying conductors. It is extremely important that the service technician reestablish all safety grounds prior to completion of service. Failure to do so will create a potential hazard.

- Prior to returning the product to service, ensure that:
 - All electric connections are correct and secure.
 - All electrical leads are properly dressed and secured away from sharp edges, high-temperature components, and moving parts.
 - All uninsulated electrical terminals, connectors, heaters, etc. are adequately spaced away from all metal parts and panels.
 - All safety grounds (both internal and external) are correctly and securely reassembled.
 - All panels are properly and securely reassembled.

Temperature Adjustment

- While in a non-cooking mode, press and hold the **Bake** key for 3 seconds until UPO appears in the display.
- Use the number keys (0-9) to enter the desired adjustments (-35° to 35° F).
- Press the **Self Clean** key to change the sign of the adjustment to a (-), if necessary. A positive adjustment will not display a sign.
- Once the desired adjustment (-35° to 35° F) has been entered, press **START** to accept the change or the **STOP** key to reject the change.

Note: Changing calibration affects all baking modes. The adjustments made will not change the self-cleaning temperature.



IMPORTANT
DO NOT REMOVE THIS BAG
OR DESTROY THE CONTENTS
WIRING DIAGRAMS AND SERVICE
INFORMATION ENCLOSED
REPLACE CONTENTS IN BAG

ELECTRONIC OVEN CONTROL (EOC) FAULT CODE DESCRIPTIONS

Fault Code	Description of Error Code	Suggested Corrective Action
F001 F002 F004 F005	Touch panel failure	Disconnect power, wait 30 seconds and reapply power. If fault returns upon power-up replace the touch panel.
F003	The oven user interface board is incorrectly configured.	Replace the oven user interface board. Make sure you install the latest revision available for this model.
F010	Oven temperature runaway: the cavity temperature has been detected in excess of the maximum safe operating temperature.	<ol style="list-style-type: none"> If oven is overheating, disconnect power. Check oven temperature probe (RTD) and replace if necessary. If the oven temperature probe is good and if oven continues to overheat when power is reapplied, replace the oven relay board.
F011	Stuck key: a key has been detected has pressed continuously for 30 seconds or more.	<ol style="list-style-type: none"> If a key was pressed inadvertently for a long time this error code will be displayed. Make sure there is nothing (water, utensils) in contact with the keyboard. The fault code should go away once the key is released and the Stop key is pressed. If the F011 error comes back when a key is pressed it means the error condition is still there. If the F011 error does not come back it means the error condition is gone and the oven can be used. If the fault code cannot be cleared, test the wiring harness between oven user interface board (connector I2C1 or I2C2) and touch panel (connector I2C1 or I2C2). If the fault code cannot be cleared and the wiring is good, the touch panel is most likely defective: replace the touch panel. If changing the touch panel did not fix the problem replace the oven user interface board.
F012	Keyboard configuration alarm: the oven user interface board received from the touch panel a key code that does not match the key map.	<ol style="list-style-type: none"> Verify the unit has the proper oven user interface board and touch panel, based on the model number and parts catalog. Replace the oven user interface board. If the problem persists replace the touch panel.
F013	Data written to non-volatile memory has failed verification	Disconnect power, wait 30 seconds and reapply power. If fault returns upon power-up replace the oven user interface.
F015	Keyboard error	Disconnect power, wait 30 seconds and reapply power. If fault returns upon power-up replace the touch panel.
F017	The oven user interface board is unable to configure the touch panel.	<ol style="list-style-type: none"> Disconnect power to the unit, wait 30 seconds, then reapply power. If fault returns, verify harness going to I2C1 or I2C2 connector of the touch panel. Verify the unit has the proper oven user interface board and touch panel, based on the model number and parts catalog. If fault persists, replace the oven user interface. If fault persists, replace the touch panel.
F018	Oven relay board failure (wiggler)	Replace the oven relay board.
F019	The oven user interface board is unable to configure the oven relay board	<ol style="list-style-type: none"> Disconnect power to the unit, wait 30 seconds, then reapply power. If fault returns, verify connection between the oven user interface board (MACS1 or MACS2 connector) and the oven relay board (connector J3 or J4). Verify the unit has the proper oven user interface board and oven relay board, based on the model number and parts catalog. If fault persists, replace oven user interface board. If fault persists, replace the relay board.
F022	Communication failure between the oven user interface board and the oven relay board	<ol style="list-style-type: none"> Disconnect power, wait 30 seconds and reapply power. Check if error condition is still there. Test wiring harness between oven user interface board (connector MACS1 or MACS2) and oven relay board (connector J3 or J4). If wiring harness is good replace oven relay board. If the problem persists replace the oven user interface.
F023	Communication failure between the oven user interface board and the glass touch panel	<ol style="list-style-type: none"> Disconnect power, wait 30 seconds and reapply power. Check if error condition is still there. Test wiring harness between oven user interface board (connector I2C1 or I2C2) and touch panel (connector I2C1 or I2C2). If wiring harness is good replace touch panel. If the problem persists replace the oven user interface.
F025 F027	The communication between the oven user interface board and the oven relay board cannot be initiated.	<ol style="list-style-type: none"> Disconnect power to the unit, wait 30 seconds, then reapply power. If fault returns, verify connection between the oven user interface board (MACS1 or MACS2 connector) and the oven relay board (connector J3 or J4). Verify the unit has the proper oven user interface board and oven relay board, based on the model number and parts catalog. If fault persists, replace relay board. If fault persists, replace the oven user interface board.
F028 F029	The communication between the oven user interface board and the touch panel cannot be initiated.	<ol style="list-style-type: none"> Disconnect power to the unit, wait 30 seconds, then reapply power. If fault returns, verify touch panel is connected (verify harness going to I2C1 or I2C2 connector) and is getting power from the oven user interface. Verify the unit has the proper oven user interface board and touch panel, based on the model number and parts catalog. If fault persists, replace the touch panel. If fault persists, replace the oven user interface.
F030	Open oven temperature sensor (RTD)	<ol style="list-style-type: none"> Check probe circuit wiring for possible open or short condition. Verify RTD resistance at room temperature (compare to probe resistance chart). If resistance does not match the chart, replace the RTD probe. If the problem persists replace the oven relay board.
F031	Shorted oven temperature probe (RTD)	<ol style="list-style-type: none"> Check probe circuit wiring for possible open or short condition. Verify RTD resistance at room temperature (compare to probe resistance chart). If resistance does not match the chart, replace the RTD probe. If the problem persists replace the oven relay board.
F033	Meat probe temperature sensor shorted or too hot	<ol style="list-style-type: none"> The error is triggered if the meat probe sees a temperature in excess of 392°F. Make sure the meat probe was not used in such way that it could have seen such temperature. If the tip of the probe is not inserted in the meat it will see the cavity temperature, which can be higher than 392°F (depending on the setpoint) and trigger the alarm. When the meat probe is connected to the socket inside the oven cavity, if the meat probe is not fully inserted into the socket it may short the contacts and cause the error. Make sure the probe is inserted as much as it can. Verify meat probe resistance at room temperature. Compare to meat probe resistance chart. If the meat probe does not match the chart, replace it. If the above steps failed to correct the problem, replace the oven relay board.
F050	A/D Out of Range: the oven relay board is unable to read the status of the switches (door, MDL)	<ol style="list-style-type: none"> Check to ensure that the connections between the door switch, MDL and temp probes are properly connected. This includes all splices and junctions. If the above step failed to correct the problem, replace the oven relay board.
F090	Motor Door Lock mechanism failure. The oven control does not see the Motor Door Lock running.	<ol style="list-style-type: none"> Disconnect power to the unit, wait 30 seconds, then reapply power. Try again to make the door lock or unlock (ex: initiate a Lockout or a Clean cycle). Check if the Lock Motor is running or not. If it is not running, test the wiring between the Lock Motor and the oven relay board. If the wiring is good, check if there is 120VAC at the motor when it is expected to run to see if the failure originates from a bad motor (120VAC present but not turning) or a problem with the relay board (J20 pin 10 on the oven relay board is the output to the Lock Motor). The Lock Motor can also be tested by applying 120VAC directly to the motor (unplug it from the relay board first). If the Lock Motor does not run when 120VAC is applied replace the Lock Motor Assembly. If it is the relay board that does not provide 120VAC to the Lock Motor replace the oven relay board. If the Lock Motor is running but the oven control cannot find the locked or unlocked position (ex: motor turns continuously until F90 fault code is generated) the Lock Switch needs to be verified. Check wiring between Lock Switch and oven relay board. Verify with ohmmeter if the switch makes contact properly (verify continuity with ohmmeter when the switch is pressed). If the Lock Switch is defective replace the Motor Lock Assembly. If all above steps failed to correct the situation, replace the oven relay board.
F095	Motor Door Lock mechanism failure. The Motor Door Lock does not stop running or the Lock Switch sends an invalid signal.	<ol style="list-style-type: none"> The problem can be caused by a faulty Lock Switch or by a defective oven relay board. If the Motor Door Lock is always running (as if the relay controlling it is stuck closed) replace the oven relay board. If the motor is not always running replace the Motor Lock Assembly.
F096	The oven door has been detected open during a Self Clean cycle.	<ol style="list-style-type: none"> This error occurs if the door switch has lost its contact during a Self Clean cycle. Make sure the oven door closes well and fully presses on the door switch plunger when the door is locked, and no one attempted to pull on the oven door during the Self Clean cycle. Test continuity of wiring between the door switch and the oven relay board, make sure the door switch is well connected. With an ohmmeter, verify the switch is closed when the plunger is pressed. If the door switch is found to be defective replace the door switch. If the switch and wiring are good and the problem persists, replace the oven relay board.

SERVICE DATA SHEET
GAS RANGES WITH MODULAR OVEN CONTROLS

ELECTRONIC OVEN CONTROL (EOC) FAULT CODE DESCRIPTIONS		
Fault Code	Description of Error Code	Suggested Corrective Action
SPr	This device detects voltage from spark ignitor harness. If voltage is detected at the AC detect board this will signal to the oven control that the spark module is trying to light a burner. The oven control will only look for the signal from the AC detect board when self-clean cycle is started or running. Detection of the signal will cause clean to be cancelled and "SPR" (which means spark detected) will appear in the display. The cooktop should not be used during a self-clean cycle. On some models, turning on any cooktop surface burner will cause the clean cycle to cancel. If the clean cycle is canceled, the oven control display will show "SPR" for 5 seconds. The oven door will remain locked until the oven has cooled down below cleaning temperature. If the oven is below cleaning temperature, the user can start another clean cycle immediately. If the oven is in cleaning temperature range, another self-clean cycle can be set once the door unlocks (up to 4 hours).	<p>If SPr continues:</p> <ol style="list-style-type: none"> 1. Start a self-clean. 2. Turn any burner ignitor to the LITE position. 3. Verify that the self-clean cycle has been cancelled and "Spr" is displayed in the oven display. <p>If this does not happen, proceed with the following troubleshooting steps.</p> <ol style="list-style-type: none"> 1. Verify the AC harness is connected to J1 of the AC detect board. 2. Verify the DC harness is connected to J2 of the AC detect board. 3. Multi-meter set to AC volts. 4. Verify 0 VAC at J1 pins 1 and 3 of the AC detect board, when the spark ignitor is turned OFF. 5. Verify 120 VAC at J1 pins 1 and 3 of the AC detect board, when the spark ignitor is turned ON. 6. Multi-meter set to DC volts. 7. Verify 4 - 5 VDC at J3 pins 2 and 3 of the AC detect board or J5 pins 5 and 6 of the OVC board, when the spark ignitor is turned OFF. (Pin 3 is GND on the AC detect board and GND is pin 6 on the OVC board) 8. Verify 0 - 1 VDC at J3 pins 2 and 3 of the AC detect board or J5 pins 5 and 6 of the OVC board, when the spark ignitor is turned ON. (Pin 3 is GND on the AC detect board and GND is pin 6 on the OVC board) 9. If steps 7 and 8 check, replace OVC board

CIRCUIT ANALYSIS MATRIX								
	Bake J19-3	Broil J19-2	Conv. J19-4	Door Motor J20-10	Light J20-6	Conv. Fan J20-9	Door Switch J5-7, J5-8	Cooling Fan J20-7
Bake	X		X			X		X
Broil		X						X
Conv. Bake	X		X			X		X
Conv. Roast	X		X			X		X
Clean	X							X
Locking				X				
Unlocking				X				
Light					X			
Door Open					X			
Door Closed							X	

RTD SCALE	
Temperature °F (°C)	Resistance (ohms)
32 ± 1.9 (0 ± 1.0)	1000 ± 4.0
75 ± 2.5 (24 ± 1.3)	1091 ± 5.3
250 ± 4.4 (121 ± 2.4)	1453 ± 8.9
350 ± 5.4 (177 ± 3.0)	1654 ± 10.8
450 ± 6.9 (232 ± 3.8)	1852 ± 13.5
550 ± 8.2 (288 ± 4.5)	2047 ± 15.8
650 ± 9.6 (343 ± 5.3)	2237 ± 18.5
900 ± 13.6 (482 ± 7.5)	2697 ± 24.4
Probe circuit to case ground	Open circuit/infinite resistance

MEAT PROBE TEMPERATURE VS RESISTANCE	
Temperature °F (°C)	Resistance (Kohm)
77 (25)	50.0 ± 7%
122 (50)	18.0 ± 4.9%
176 (80)	6.3 ± 3.3%
212 (100)	3.4 ± 4.6%

FICHE DE RÉPARATION
CUISINIÈRE GAZ AVEC RÉGULATEUR ÉLECTRONIQUE DE FOUR MODULAR

AVIS: Cette feuille de données d'entretien est destinée aux personnes ayant reçu une formation en électricité et en mécanique, et qui possèdent un niveau de connaissance jugé acceptable dans l'industrie de réparation des appareils électroménagers. Le fabricant ne peut être tenu responsable, ni assumer aucune responsabilité, pour toute blessure ou dommage de quelque nature que ce soit pouvant résulter de l'utilisation de cette feuille de données.

NOTES IMPORTANTES: Cet appareil inclut un contrôleur de four électronique. Le tableau de contrôle n'est pas réparable sur place.

Pratiques d'entretien Sécuritaires
Pour éviter tout risque de blessure et/ou dommage matériel, il est important que des pratiques d'entretien sécuritaires soient suivies. Voici quelques exemples de pratiques sécuritaires.

1. N'essayez jamais de réparer un appareil si vous ne croyez pas avoir les compétences nécessaires pour le faire de manière satisfaisante et sécuritaire.
2. Avant de procéder au service d'entretien ou de déplacer tout appareil ménager, débranchez le cordon d'alimentation de la prise électrique, réglez le disjoncteur de circuit à OFF, ou enlevez le fusible et fermez le robinet d'alimentation en gaz.
3. N'entrez jamais l'installation adéquate de tout dispositif de sécurité.
4. Utilisez que les pièces de remplacement énumérées dans le catalogue pour cet appareil. La moindre substitution risque de ne pas être conforme aux normes de sécurité établies pour les appareils électroménagers.
5. Mise à la Terre: La couleur de codage standard des conducteurs de mise à la terre de sécurité est verte ou verte à barres jaunes. Les conducteurs de mise à la terre ne doivent pas être utilisés comme conducteurs de courant. Il est d'une importance

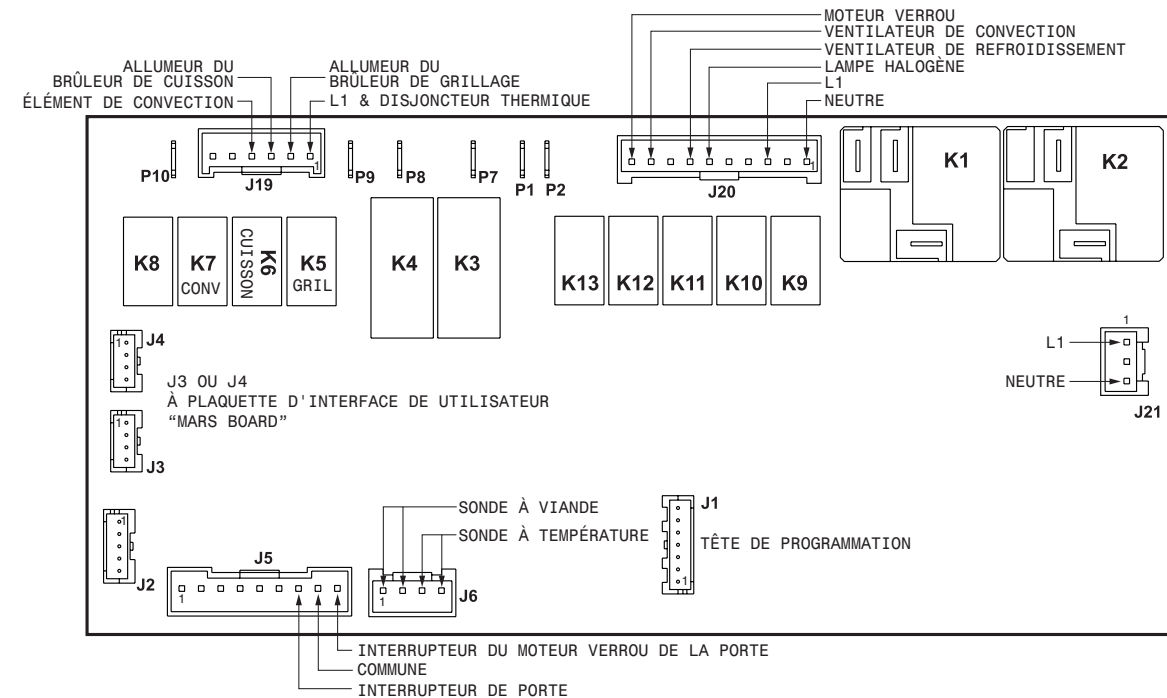
capitale que le technicien d'entretien complète toutes les mises à la terre de sécurité avant de terminer le service. Si cette recommandation n'est pas suivie à la lettre, il en résultera des risques pour les personnes et les biens.

6. Avant de retourner le produit au service de réparation ou d'entretien, assurez-vous que:
 - Toutes les connexions électriques sont correctes et sécuritaires.
 - Tous les conducteurs électriques sont correctement préparés et à l'abri des bords tranchants, des composants à température élevée, et des parties mobiles.
 - Toutes les bornes électriques, connecteurs, réchauffeurs, etc. dénudés sont espacés convenablement loin de toute pièce en métal et des panneaux.
 - Toutes les mises à la terre de sécurité (interne et externe) sont correctement ré-assemblées de façon sécuritaire.
 - Tous les panneaux sont correctement et fermement remontés.

Réglage de la Température

1. Assurez-vous de ne sélectionner aucun mode de cuisson, puis appuyez sur la touche **BAKE** (cuisson au four) et maintenez-la enfoncée pendant 3 secondes.
2. Utilisez les touches numériques (0 à 9) pour entrer l'ajustement désiré (jusqu'à 35 °F/19 °C).
3. Appuyez sur la touche **SELF CLEAN** (autonettoyage) pour ajouter le symbole à (-) à l'ajustement, si nécessaire. Aucun signe n'apparaît si l'ajustement est positif.
4. Lorsque vous avez fait le réglage désiré (-35 à 35 °F / -18 à 18 °C), appuyez sur la touche **Start** (mise en marche) pour confirmer le choix ou **STOP** (annuler) pour l'annuler.

Remarque: La modification de la calibration affecte tous les modes de cuisson. Les ajustements n'influent pas sur la température du cycle d'autonettoyage.



IMPORTANT
N'ENLEVEZ PAS CE SAC OU NE DÉTRUISEZ PAS SON CONTENU
CONTIENT LES SCHÉMAS DE CÂBLAGE ET LES INFORMATIONS DE RÉPARATION
REMETTRE LE CONTENU DANS LE SAC

CODES D'ERREUR POUR LA FICHE TECHNIQUE DE LA CUISINIÈRE AVEC BOUTONS DE COMMANDE À L'AVANT		
Code	Description de l'erreur	Actions correctives suggérées
F001 F002 F004 F005	Panneau tactile en échec.	Débranchez l'alimentation, attendez 30 secondes et rebranchez. Si le problème réapparaît lorsque l'appareil est rebranché, remplacez le panneau tactile.
F003	La carte interface usager n'est pas configurée correctement.	Remplacez la carte interface usager. Assurez-vous d'installer la dernière version disponible pour ce modèle.
F010	Emballement de la température du four: La température du four a été détectée comme étant supérieure à la température maximale sécuritaire.	<ol style="list-style-type: none"> 1- Si le four surchauffe, débranchez l'alimentation. Vérifiez la sonde de température (RTD) et remplacez-la si nécessaire. 2- Si la sonde de température est correcte et que le four continue de surchauffer une fois l'appareil rebranché, remplacez le panneau de relais du four.
F011	Touche engagée: Une touche a été rapportée appuyée pendant 30 secondes ou plus.	<ol style="list-style-type: none"> 1. Ce code s'affiche si une touche est appuyée par inadvertance pendant une longue période. Assurez-vous qu'il n'y a rien en contact avec le panneau tactile (eau, ustensiles). Le code d'erreur disparaît lorsque la touche est relâchée et que la touche STOP est appuyée. Si le code F011 réapparaît lorsqu'une touche est appuyée, ceci indique que les conditions de l'erreur sont toujours présentes. Si le code F011 ne réapparaît pas, ceci indique que les conditions de l'erreur ont disparu et que le four peut être utilisé. 2. Si le code d'erreur ne disparaît pas, vérifiez le fil entre la carte interface usager (connecteur I2C1 ou I2C2) et le panneau tactile (connecteur I2C1 ou I2C2). 3. Si le code d'erreur ne disparaît pas et que le fil est bon, le panneau tactile est probablement défectueux: remplacez le panneau tactile. 4. Si le problème n'est toujours pas réglé après avoir changé le panneau tactile, changez la carte interface usager.
F012	Alarme de configuration de clavier: La carte interface usager a reçu du panneau tactile un code qui ne se retrouve pas dans le registre.	<ol style="list-style-type: none"> 1. À l'aide du numéro de modèle et du catalogue de service, vérifiez si l'appareil a la bonne carte interface usager et le bon panneau tactile. 2. Remplacez la carte interface usager du four. 3. Si le problème persiste, remplacez le panneau tactile.
F013	Échec lors de la vérification des données écrites à la mémoire permanente.	Débranchez l'alimentation, attendez 30 secondes et rebranchez. Si le problème réapparaît lorsque l'appareil est rebranché, remplacez la carte interface usager du four.
F015	Erreur du clavier.	Débranchez l'alimentation, attendez 30 secondes et rebranchez. Si le problème réapparaît lorsque l'appareil est rebranché, remplacez le panneau tactile.
F017	La carte interface usager du four est incapable de configurer le panneau tactile.	<ol style="list-style-type: none"> 1. Débranchez l'alimentation, attendez 30 secondes et rebranchez. 2. Si l'erreur réapparaît, vérifiez le fil allant au connecteur I2C1 ou I2C2 du panneau tactile. 3. À l'aide du numéro de modèle et du catalogue de service, vérifiez si l'appareil a la bonne carte interface usager et le bon panneau tactile. 4. Si le problème persiste, remplacez la carte interface usager. 5. Si le problème persiste, remplacez le panneau tactile.
F018	Échec du panneau de relais du four (onduleur)	Remplacez le panneau de relais du four.
F019	La carte interface usager du four est incapable de configurer le panneau de relais du four.	<ol style="list-style-type: none"> 1. Débranchez l'alimentation, attendez 30 secondes et rebranchez. 2. Si l'erreur réapparaît, vérifiez la connexion entre la carte interface usager du four (connecteur MACS1 ou MACS2) et le panneau de relais du four (connecteur J3 ou J4). 3. À l'aide du numéro de modèle et du catalogue de service, vérifiez si l'appareil a la bonne carte interface usager et le bon panneau de relais du four. 4. Si le problème persiste, remplacez la carte interface usager. 5. Si le problème persiste, remplacez le panneau de relais du four.
F022	Échec de communication entre la carte d'interface usager et le panneau de relais du four.	<ol style="list-style-type: none"> 1. Débranchez l'alimentation, attendez 30 secondes et rebranchez. Vérifiez si l'erreur est encore présente. 2. Vérifiez le faisceau de fils entre la carte interface usager (connecteur MACS1 ou MACS2) et le panneau de relais du four (connecteur J3 ou J4). 3. Si le faisceau de fils est bon, remplacez le panneau de relais du four. 4. Si le problème persiste, remplacez la carte interface usager du four.
F023	Échec de communication entre la carte d'interface usager et le panneau tactile.	<ol style="list-style-type: none"> 1. Débranchez l'alimentation, attendez 30 secondes et rebranchez. Vérifiez si les conditions d'erreur sont encore présentes. 2. Vérifiez le fil entre la carte interface usager (connecteur I2C1 ou I2C2) et le panneau tactile (connecteur I2C1 ou I2C2). 3. Si le fil est bon, remplacez le panneau tactile. 4. Si le problème persiste, remplacez la carte interface usager du four.
F025 F027	La communication entre la carte interface usager et le panneau de relais du four ne peut être démarrée.	<ol style="list-style-type: none"> 1. Débranchez l'alimentation, attendez 30 secondes et rebranchez. 2. Si l'erreur réapparaît, vérifiez la connexion entre la carte interface usager du four (connecteur MACS1 ou MACS2) et le panneau de relais du four (connecteur J3 ou J4). 3. À l'aide du numéro de modèle et du catalogue de service, vérifiez si l'appareil a la bonne carte interface usager et le bon panneau de relais du four. 4. Si le problème persiste, remplacez le panneau de relais du four. 5. Si le problème persiste, remplacez la carte interface usager.
F028 F029	La communication entre la carte interface usager et le panneau tactile ne peut être démarrée.	<ol style="list-style-type: none"> 1. Débranchez l'alimentation, attendez 30 secondes et rebranchez. 2. Si l'erreur réapparaît, vérifiez si le panneau tactile est branché (vérifiez le faisceau de fils allant au connecteur I2C1 ou I2C2) et s'il reçoit de l'alimentation de la carte interface usager. 3. À l'aide du numéro de modèle et du catalogue de service, vérifiez si l'appareil a la bonne carte interface usager et le bon panneau tactile. 4. Si le problème persiste, remplacez le panneau tactile. 5. Si le problème persiste, remplacez la carte interface usager du four.
F030	Le circuit de la sonde de température du four est ouvert (RTD)	<ol style="list-style-type: none"> 1. Vérifiez si le circuit de la sonde ne serait pas ouvert ou en condition de court-circuit. 2. Vérifiez la résistance RTD à la température ambiante (comparez la valeur obtenue dans la charte de résistance). Si la valeur obtenue ne correspond pas à la valeur de la charte, remplacez la sonde RTD.
F031	La sonde de température du four (RTD) est en court-circuit.	<ol style="list-style-type: none"> 3. Si le problème persiste, remplacez le panneau de relais.
F033	Le capteur de la sonde à viande est en court-circuit ou trop chaud.	<ol style="list-style-type: none"> 1. L'erreur est déclenchée si la sonde à viande perçoit une température supérieure à 392°F. Assurez-vous que la sonde à viande ne puisse pas percevoir la température provenant d'une autre source. Si le bout de la sonde n'est pas inséré dans la viande, celui-ci va capter la température de la cavité, laquelle peut être supérieure à 392°F (dépendant de la température réglée dans le four) et déclencher l'alarme. Si la sonde à viande n'est pas complètement insérée dans le réceptacle situé à l'intérieur de la cavité du four ceci peut entraîner un court-circuit et causer un code d'erreur. Assurez-vous que la sonde est correctement insérée dans le réceptacle. 2. Vérifiez la résistance de la sonde à viande à la température ambiante. Comparez cette valeur à celles dans la table de la résistance de la sonde à viande. Si elle ne correspond pas aux valeurs du tableau, remplacez la sonde à viande. 3. Si toutes les étapes mentionnées ci-haut ont échoué, remplacez le panneau de relais du four.
F050	A/D hors limite: Le panneau relais du four ne peut connaître le statut des interrupteurs (porte, moteur verrou)	<ol style="list-style-type: none"> 1. Vérifiez que les branchements entre le commutateurs de la porte, le loquet de porte à moteur (LPM) et les sondes de température sont correctement établis. Ceux-ci incluent toutes les épissures et les jonctions. 2. Remplacez la carte de relais de commande des relais du four.
F090	Échec du mécanisme du moteur verrou de la porte du four: La commande du four ne détecte pas que le moteur verrou de la porte du four est en marche.	<ol style="list-style-type: none"> 1. Débranchez l'alimentation, attendez 30 secondes et rebranchez. Essayez à nouveau de verrouiller ou déverrouiller la porte (ex: activez le Lockout ou un cycle autonettoyant). 2. Vérifiez si le moteur tourne ou non. S'il ne tourne pas, vérifiez le faisceau de fils entre le moteur verrou et le panneau de relais. Si le faisceau de fils est bon, vérifiez si il y a 120VAC au moteur lorsqu'il est censé fonctionner pour voir si le problème est dû à un mauvais moteur (la lecture est de 120VAC mais le moteur ne tourne pas) ou si le problème revient au panneau de relais (Tige 10 de J20 sur le panneau de relais est la sortie vers le moteur verrou). Le moteur verrou peut aussi être vérifié en appliquant 120VAC directement au moteur (il faut commencer par le débrancher du panneau de relais). Si le moteur verrou ne tourne pas lorsque 120VAC est appliqué, remplacez l'assemblé moteur verrou. Si c'est le panneau de relais qui ne fournit pas 120VAC au moteur verrou, remplacez le panneau de relais. 3. Si le moteur tourne mais la commande de four ne peut trouver la position verrouillée ou déverrouillée (ex: le moteur tourne continuellement lorsque le code F90 est affiché) l'interrupteur verrou doit être vérifié. Vérifiez le faisceau de fils entre l'interrupteur verrou et le panneau de relais. Vérifiez avec un ohmmètre que le contact de l'interrupteur est correct (vérifiez la continuité avec le ohmmètre lorsque l'interrupteur est appuyé). Si l'interrupteur est défectueux, remplacez l'assemblé moteur verrou. 4. Si toutes les étapes mentionnées ci-haut ont échoué, remplacez le panneau de relais du four.
F095	Échec du mécanisme du moteur verrou de la porte du four. Le moteur verrou tourne continuellement ou l'interrupteur envoie un mauvais signal.	<ol style="list-style-type: none"> 1. Le problème peut être causé par un interrupteur ou un panneau de relais défectueux. Si le moteur verrou fonctionne continuellement (ou comme si le relais demeure fermé) remplacez le panneau de relais du four. 2. Si le moteur ne tourne pas continuellement remplacez l'assemblé moteur verrou.
F096	La porte du four a été détectée ouverte lors d'un cycle autonettoyant.	<ol style="list-style-type: none"> 1. Cette erreur survient si l'interrupteur de porte perd son contact lors d'un cycle autonettoyant. Assurez-vous que la porte du four ferme complètement et qu'elle presse adéquatement le piston de l'interrupteur de porte lorsque cette dernière est verrouillée et assurez-vous que personne n'essaie d'ouvrir la porte lorsque le four est en cycle autonettoyant. 2. Vérifiez le faisceau de fils entre l'interrupteur de porte et le panneau de relais, assurez-vous que l'interrupteur de porte est bien branché. À l'aide d'un ohmmètre, vérifiez si l'interrupteur est fermé lorsque le piston est pressé. Si l'interrupteur est défectueux, remplacez-le. 3. Si l'interrupteur et le faisceau de fils sont bons, remplacez le panneau de relais.

FICHE DE RÉPARATION

CUISINIÈRE GAZ AVEC RÉGULATEUR ÉLECTRONIQUE DE FOUR MODULAR

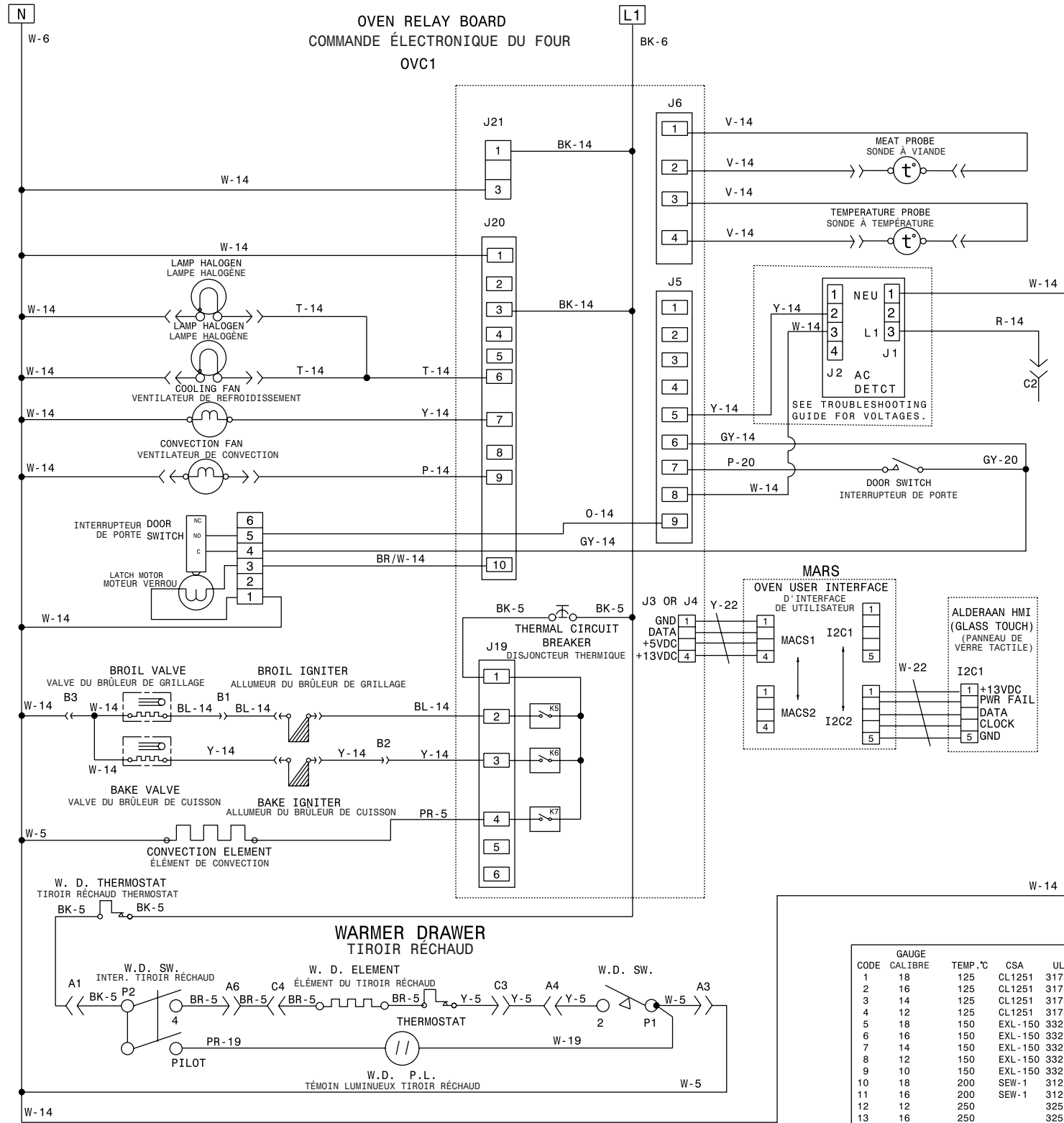
CODES D'ERREUR POUR LA FICHE TECHNIQUE DE LA CUISINIÈRE AVEC BOUTONS DE COMMANDE À L'AVANT		
Code	Description de l'erreur	Actions correctives suggérées
SPr	Le dispositif recherche une tension venant du faisceau de l'allumeur à étincelle. Si une tension est détectée, le détecteur CA signale au contrôleur de four que le module d'allumage tente d'allumer un brûleur. Le contrôleur de four recherche le signal du détecteur CA uniquement lorsqu'un cycle d'autonettoyage est lancé ou en fonction. La détection du signal occasionne l'annulation du cycle d'autonettoyage et le message < SPr > (étincelle détectée) s'affiche à l'écran. Ne pas utiliser la surface de cuisson durant un cycle d'autonettoyage. Chez certains modèles, allumer l'un ou l'autre des brûleurs occasionne l'annulation du cycle d'autonettoyage. Si le cycle d'autonettoyage est annulé, l'écran du contrôleur de four affiche le message < SPr > pendant 5 secondes. La porte de four demeure verrouillée jusqu'au refroidissement du four en dessous de la température de nettoyage. Une fois le four en dessous de la température de nettoyage, il est possible de lancer immédiatement un autre cycle d'autonettoyage. Si le four est toujours à sa température d'autonettoyage, il faut attendre que la porte soit déverrouillée avant de régler un autre cycle d'autonettoyage (jusqu'à 4 heures).	<p>Si < SPr > persiste :</p> <ol style="list-style-type: none"> 1. Lancer un cycle d'autonettoyage. 2. Tourner l'un ou l'autre des allumeurs de brûleur sur < LITE > (allumer) 3. Valider l'annulation du cycle d'autonettoyage et que le message < SPr > apparaît à l'écran du four. <p>Dans le cas contraire, effectuer les procédures de dépannage suivantes :</p> <ol style="list-style-type: none"> 1. Valider que le faisceau CA est branché sur J1 du détecteur CA. 2. Valider que le faisceau CC est branché sur J2 du détecteur CA. 3. À l'aide d'un multimètre réglé sur Volts CA. 4. Valider 0 V CA aux broches 1 et 3 de J1 du détecteur CA lorsque l'allumeur à étincelle est sur < OFF > (FERMÉ). 5. Valider 120 V CA aux broches 1 et 3 de J1 du détecteur CA lorsque l'allumeur à étincelle est sur < ON > (ALLUMÉ). 6. À l'aide d'un multimètre réglé sur Volts CC. 7. Valider 4 à 5 V CC aux broches 2 et 3 de J3 du détecteur CA ou aux broches 5 et 6 de J5 du contrôleur OVC lorsque l'allumeur à étincelle est sur < OFF > (FERMÉ). (La broche 3 est la mise à la terre du détecteur CA et la broche 6 est la mise à la terre du contrôleur OVC. 8. Valider 0 à 1 V CC aux broches 2 et 3 de J3 du détecteur CA ou aux broches 5 et 6 de J5 du contrôleur OVC lorsque l'allumeur à étincelle est sur < ON > (ALLUMÉ). (La broche 3 est la mise à la terre du détecteur CA et la broche 6 est la mise à la terre du contrôleur OVC. 9. Si les étapes 7 et 8 sont valides, remplacer le contrôleur OVC.

MATRICE D'ANALYSE DU CIRCUIT	Sur le Panneau Relais							
	Cuisson J19-3	Gril J19-2	Conv. J19-4	Moteur Verrou J20-10	Lampe J20-6	Ventilateur Conv. - HI J20-10	Sur le panneau d'affichage Interr. porte J5-7/J5-8	Ventilateur refroidissement J20-7
Cuisson	X		X			X		X
Gril		X						X
Cuisson Conv.	X		X			X		X
Rôtissage Conv.	X		X			X		X
Nettoyage	X							X
Verrouillage				X				
Déverrouillage				X				
Lampes					X			
Porte Ouverte					X			
Porte Fermée							X	

ÉCHELLE DU DÉTECTEUR DE TEMPÉRATURE À RÉSISTANCE	
Température °F (°C)	Résistance (ohms)
32 ± 1,9 (0 ± 1,0)	1 000 ± 4,0
75 ± 2,5 (24 ± 1,3)	1 091 ± 5,3
250 ± 4,4 (121 ± 2,4)	1 453 ± 8,9
350 ± 5,4 (177 ± 3,0)	1 654 ± 10,8
450 ± 6,9 (232 ± 3,8)	1 852 ± 13,5
550 ± 8,2 (288 ± 4,5)	2 047 ± 15,8
650 ± 9,6 (343 ± 5,3)	2 237 ± 18,5
900 ± 13,6 (482 ± 7,5)	2 697 ± 24,4
Circuit de la sonde mise à la terre à la caisse	Circuit ouvert/résistance infinie

SONDE À VIANDE TEMPÉRATURE VS RÉSISTANCE	
Température °F (°C)	Résistance (Kohm)
77 (25)	50.0 ± 7%
122 (50)	18.0 ± 4.9%
176 (80)	6.3 ± 3.3%
212 (100)	3.4 ± 4.6%

**OVEN CIRCUIT
CIRCUIT DU FOUR**



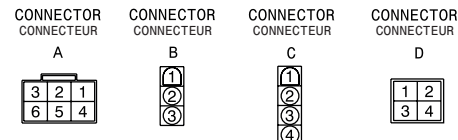
CODE	GAUGE CALIBRE	TEMP. °C	CSA	UL
1	18	125	CL1251	3173
2	16	125	CL1251	3173
3	14	125	CL1251	3173
4	12	125	CL1251	3173
5	18	150	EXL-150	3321
6	16	150	EXL-150	3321
7	14	150	EXL-150	3321
8	12	150	EXL-150	3321
9	10	150	EXL-150	3321
10	18	200	SEW-1	3122
11	16	200	SEW-1	3122
12	12	250		3252
13	16	250		3252
14	20	150	EXL-150	3321
15	8	150	EXL-150	3321
16	8	60		
17	10	60		
18	10	200	SEW-1	3122
19	20	125	CL1251	3173
20	20	200	SEW-1	3122
21	22	125	3266	
22	22	150	10109	
23	18	200	3573	
34	16	200	3512	
35	18	200	3512	
37	14	200	3512	
39	14	200	SEW-1	3122
41	20	200	3512	
49	22	200	3122	

CAUTION:
DISCONNECT POWER BEFORE SERVICING UNIT. LABEL ALL WIRES PRIOR TO DISCONNECTION WHEN SERVICING CONTROLS. WIRING ERRORS CAN CAUSE IMPROPER AND DANGEROUS OPERATION. VERIFY PROPER OPERATION AFTER SERVICING.

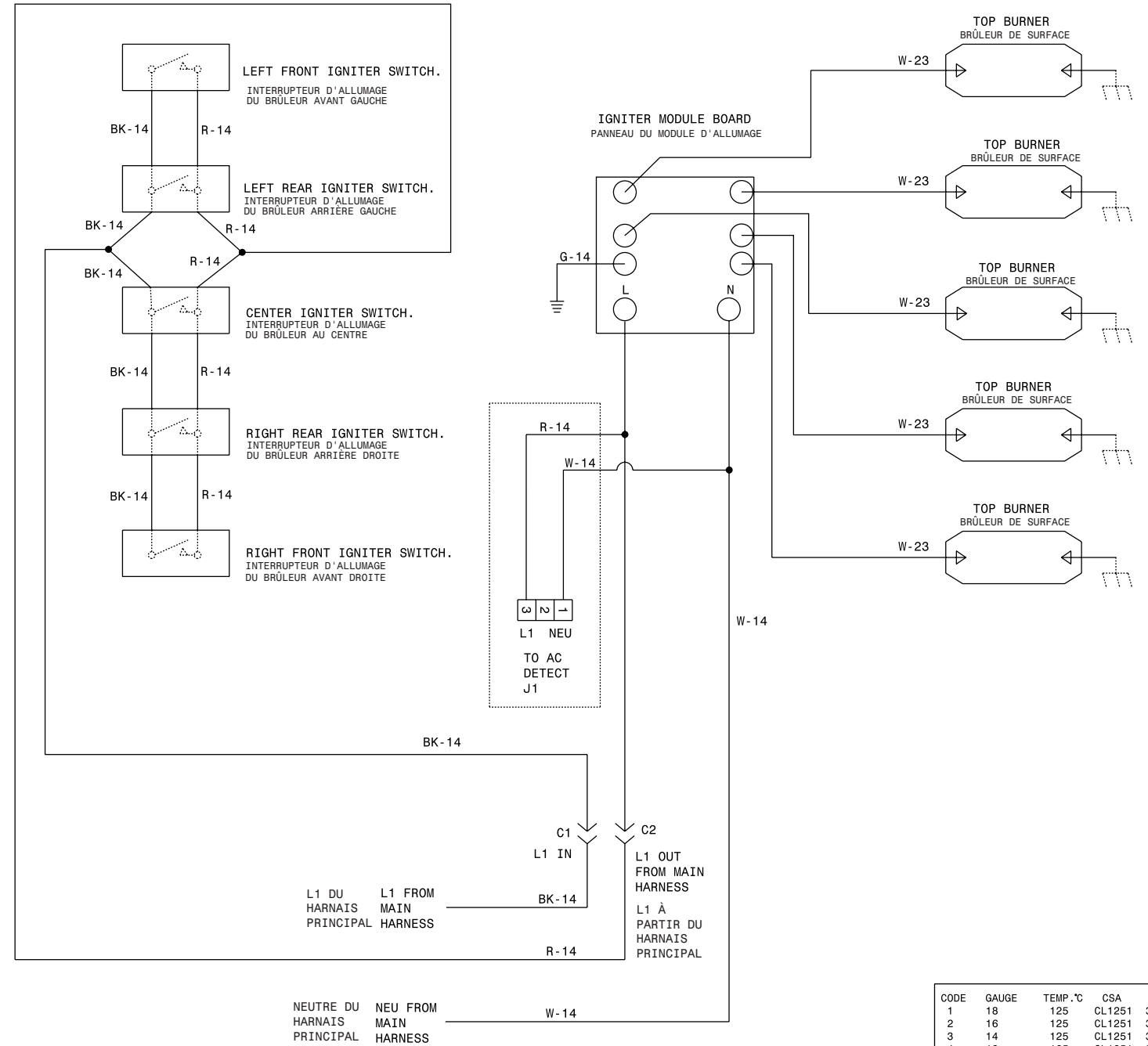
ATTENTION:
DÉBRANCHEZ L'APPAREIL AVANT DE PROCÉDER À LA RÉPARATION. IDENTIFIEZ TOUS LES FILS AVANT DE LES DÉBRANCHER LORSQUE VOUS PROCÉDEZ À UNE RÉPARATION. UNE ERREUR DE FILAGE PEUT CAUSER UN FONCTIONNEMENT INADÉQUAT ET/OU UNE SITUATION DANGEREUSE. VÉRIFIEZ QUE L'APPAREIL FONCTIONNE CORRECTEMENT APRÈS LA RÉPARATION.

CODE DE COULEURS
BK-BLACK/NOIR
G-GREEN/VERT
W-WHITE/BLANC
R-RED/ROUGE
O-ORANGE
Y-YELLOW/JAUNE
BR-BROWN/BRUN
BL-BLUE/BLEU
GY-GRAY/GRIS
V-VIOLET
T-TAN/OCRE
PR-PURPLE/POURPRE
P-PINK/ROSE

LEGEND / LÉGENDE
SW - SWITCH / INTERRUPTEUR
PL - PILOT LIGHT / PTÉMOIN LUMINEUX
RF - RIGHT FRONT / AVANT DROITE
RR - RIGHT REAR / ARRIÈRE DROITE
LF - LEFT FRONT / AVANT GAUCHE
LR - LEFT REAR / ARRIÈRE GAUCHE
HS - HOT SURFACE / SURFACE CHAUDE
LIM - LIMITER / LIMITEUR
WD - WARMER DRAWER / TIROIR RÉCHAUD



COOKTOP CIRCUIT

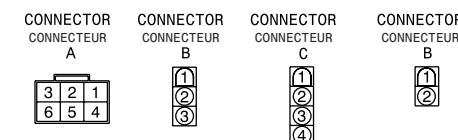


CAUTION:
DISCONNECT POWER BEFORE SERVICING UNIT. LABEL ALL WIRES PRIOR TO DISCONNECTION WHEN SERVICING CONTROLS. WIRING ERRORS CAN CAUSE IMPROPER AND DANGEROUS OPERATION. VERIFY PROPER OPERATION AFTER SERVICING.

ATTENTION:
DÉBRANCHEZ L'APPAREIL AVANT DE PROCÉDER À LA RÉPARATION. IDENTIFIEZ TOUS LES FILS AVANT DE LES DÉBRANCHER LORSQUE VOUS PROCÉDEZ À UNE RÉPARATION. UNE ERREUR DE FILAGE PEUT CAUSER UN FONCTIONNEMENT INADÉQUAT ET/OU UNE SITUATION DANGEREUSE. VÉRIFIEZ QUE L'APPAREIL FONCTIONNE CORRECTEMENT APRÈS LA RÉPARATION.

CODE DE COULEURS
BK-BLACK/NOIR
G-GREEN/VERT
W-WHITE/BLANC
R-RED/ROUGE
O-ORANGE
Y-YELLOW/JAUNE
BR-BROWN/BRUN
BL-BLUE/BLEU
GY-GRAY/GRIS
V-VIOLET
T-TAN/OCRE
PR-PURPLE/POURPRE
P-PINK/ROSE

LEGEND / LÉGENDE
SW - SWITCH / INTERRUPTEUR
PL - PILOT LIGHT / PTÉMOIN LUMINEUX
RF - RIGHT FRONT / AVANT DROITE
RR - RIGHT REAR / ARRIÈRE DROITE
LF - LEFT FRONT / AVANT GAUCHE
LR - LEFT REAR / ARRIÈRE GAUCHE
HS - HOT SURFACE / SURFACE CHAUDE
LIM - LIMITER / LIMITEUR
WD - WARMER DRAWER / TIROIR RÉCHAUD



CODE	GAUGE	TEMP. °C	CSA	UL
1	18	125	CL1251	3173
2	16	125	CL1251	3173
3	14	125	CL1251	3173
4	12	125	CL1251	3173
5	18	150	EXL-150	3321
6	16	150	EXL-150	3321
7	14	150	EXL-150	3321
8	12	150	EXL-150	3321
9	10	150	EXL-150	3321
10	18	200	SEW-1	3122
11	16	200	SEW-1	3122
12	12	250		3252
13	16	250		3252
14	20	150	EXL-150	3321
15	8	150	EXL-150	3321
16	8	60		
17	10	60		
18	10	200	SEW-1	3122
19	20	125	CL1251	3173
20	20	200	SEW-1	3122
21	22	125	3266	
22	22	150	10109	
23	18	200	3573	
34	16	200	3512	
35	18	200	3512	
37	14	200	3512	
39	14	200	SEW-1	3122
41	20	200	3512	
49	22	200	3122	