

Installation Instructions

30" Wall-Mounted Hood
ZV30H

Hotte de cuisine murale de 76,2 cm (30 po)

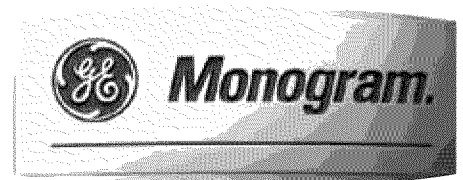
Instructions d'installation

La section française commence à la page 21

Campana Montada en Pared de 30"

Instrucciones de instalación

La sección en español empieza en la página 39



Safety Information

READ AND SAVE THESE INSTRUCTIONS

BEFORE YOU BEGIN

Read these instructions completely and carefully.

- **IMPORTANT** — Save these instructions for local inspector's use.
- **IMPORTANT** — Observe all governing codes and ordinances.
- **Note to Installer** — Be sure to leave these instructions with the Consumer.
- **Note to Consumer** — Keep these instructions with your Owner's Manual for future reference.
- **Skill Level** — Installation of this appliance requires basic mechanical and electrical skills.
- **Completion Time** — 1 to 3 Hours.
- Proper installation is the responsibility of the installer. Product failure due to improper installation is not covered under the warranty.

For Monogram local service in your area, call 1.800.444.1845.

For Monogram service in Canada, call 1.800.561.3344.

For Monogram Parts and Accessories, call 1.800.626.2002.

⚠ CAUTION: *Due to the weight and size of these vent hoods and to reduce the risk of personal injury or damage to the product, **TWO PEOPLE ARE REQUIRED FOR PROPER INSTALLATION.***

⚠ WARNING: *To reduce the risk of fire or electrical shock, do not use this range hood with any external solid-state speed control device. Any such alteration from original factory wiring could result in damage to the unit and/or create an electrical safety hazard. **TO REDUCE THE RISK OF FIRE, USE ONLY METAL DUCTWORK.***

⚠ WARNING: **TO REDUCE THE RISK OF FIRE, ELECTRICAL SHOCK OR INJURY TO PERSONS, OBSERVE THE FOLLOWING:**

- A. Use this unit only in the manner intended by the manufacturer. If you have any questions, contact the manufacturer.
- B. Before servicing or cleaning the unit, switch the power off at the service panel and lock the service disconnecting means to prevent the power from being switched on accidentally. When the service disconnecting means cannot be locked, securely fasten a prominent warning device, such as a tag, to the service panel.

⚠ CAUTION: **FOR GENERAL VENTILATING USE ONLY. DO NOT USE TO EXHAUST HAZARDOUS MATERIALS, EXPLOSIVE MATERIALS OR VAPORS.**

⚠ WARNING: **TO REDUCE THE RISK OF FIRE, ELECTRICAL SHOCK OR INJURY TO PERSONS, OBSERVE THE FOLLOWING:**

- Installation work and electrical wiring must be done by qualified person(s) in accordance with all applicable codes and standards, including fire-rated construction.
- Sufficient air is needed for proper combustion and exhausting of gases through the flue (chimney) of fuel burning equipment to prevent back-drafting. Follow the heating equipment manufacturer's guidelines and safety standards, such as those published by the National Fire Protection Association (NFPA), the American Society for Heating, Refrigeration and Air Conditioning Engineers (ASHRAE) and the local code authorities.
- When cutting or drilling into walls or ceilings, do not damage electrical wiring and other hidden utilities.
- Ducted systems must always be vented to the outdoors.
- Local codes vary. Installation of electrical connections and grounding must comply with applicable codes. In the absence of local codes, the vent should be installed in accordance with National Electrical Code ANSI/NFPA 70-1990 or latest edition.

⚠ CAUTION: *To reduce risk of fire and to properly exhaust air, be sure to duct air outside—do not vent exhaust air into spaces within walls or ceilings or into attics, crawl spaces or garages.*

Design Information

CONTENTS

Design Information

Models Available	3
Product Dimensions	3

Advance Planning

Ductwork Planning	4
Adequate Support	4

Installation Preparation

Duct Fittings	5
Power Supply	6
Tools and Materials Required	6
Remove the Packaging	7
Check Installation Hardware	7
Determine Installation Height	8

Installation Instructions

Installation – Vented to the Outside	10-14
--	-------

Step 1. Ductwork, Wiring Locations.....	10
Step 2. Wall or Ceiling and Cabinet Preparation.....	10
Step 3. Mounting Hood to Bottom of Cabinet.....	11
Step 4. Connecting Ductwork	13
Step 5. Connecting Electrical	14
Step 6. Installing Baffle Grease Filters and Drip Tray.....	14
Step 7. Finalize Installation.....	14

Installation Instructions

Installation – Recirculating.....	15-18
Step 1. Wiring Locations.....	15
Step 2. Wall and Cabinet Preparation.....	15
Step 3. Mounting Hood to Bottom of Cabinet.....	16
Step 4. Connecting Electrical	17
Step 5. Installing Charcoal Filter	18
Step 6. Installing Baffle Grease Filters and Drip Tray.....	18
Step 7. Finalize Installation.....	18

MODELS AVAILABLE

Model ZV30HS

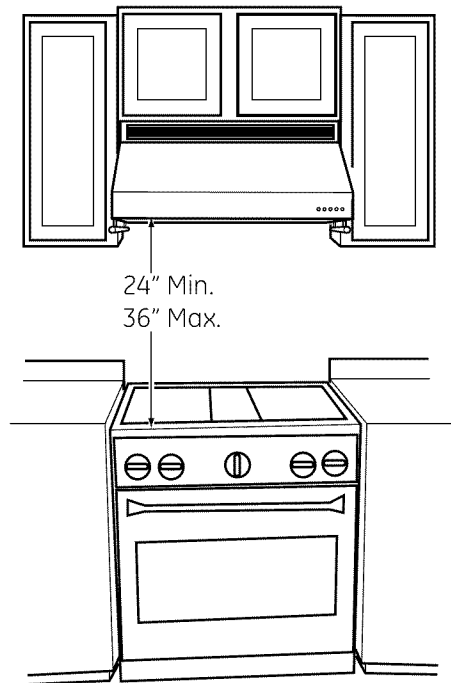
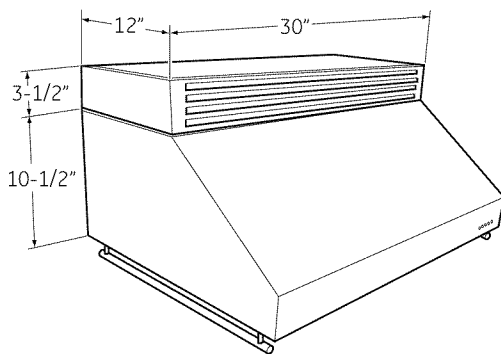
This hood may be installed to vent to the outdoors, or installed for recirculating operation. All necessary parts for recirculating operation are supplied with the hood. No kits required.

This vent hood can be installed over any 30" electric or gas cooktop including Monogram Professional cooktops or ranges less than 36".

PRODUCT DIMENSIONS AND CLEARANCES

The vent hood must be installed 24" minimum and 36" maximum above the cooking surface.

NOTE: Installation height should be measured from the cooking surface to the lowest part of the hood. The ductwork running from the top of the hood can be concealed in the soffit and/or upper cabinet. NO duct cover accessories are provided or required.



Advance Planning

DUCTWORK PLANNING FOR VENTED MODE

- This vent hood is designed to be installed beneath a cabinet or beneath a cabinet mounted to a soffit.
- This hood is designed for 8" round ducting. The 8" round duct can transition to 3-1/4" x 10" or 3-1/4" x 12".
- Plan the route for venting exhaust to the outdoors considering any transitions you may require.
- Use locally supplied ducting to vent horizontally through the rear wall or vertically through the ceiling.
- Use the shortest and straightest duct route possible. For satisfactory performance, duct run should not exceed 100' equivalent length for any duct configurations.
- Refer to "Duct Fittings" chart to compute the maximum permissible length for duct runs to the outdoors.
- Install a wall or roof cap with damper at the exterior opening. Order the wall or roof cap and any transition and length of duct needed in advance from a local hardware store.
- Determine the exact location of the vent hood.
- Wall or ceiling duct must be projected out at least 1" for duct connection.

▲ WARNING: TO REDUCE THE RISK OF FIRE, USE ONLY METAL DUCTWORK.

- For better air flow results, use rigid metal ductwork.

DUCTWORK PLANNING FOR RECIRCULATION MODE

All parts are included to install in recirculation mode.

MOUNTING FOR ADEQUATE SUPPORT

- The hood must be secured to vertical studs in the wall. See the *Wall or Ceiling and Cabinet Preparation* section for vented or recirculation installation.
- We strongly recommend that the vent hood be on-site to accurately locate the ductwork and electrical service.
- Installation will be easier if the vent hood is installed before the cooktop and countertop are installed.

IMPORTANT: The vent hood must be secured to the cabinet and at least two wall studs and dry wall with anchors. The cabinet must be capable of supporting 100 lbs.

Installation Preparation

DUCT FITTINGS

This Hood Must Use an 8" Round Duct. It Can Transition to 3-1/4" x 10" or 3-1/4" x 12" Duct.

Use this chart to compute maximum permissible lengths for duct runs to outdoors.

NOTE: Do not exceed maximum permissible equivalent lengths!

Maximum duct length: 100 foot for range hoods.

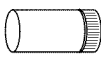

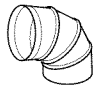
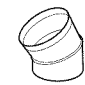
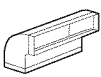
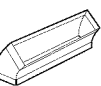
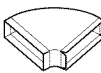
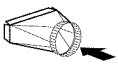
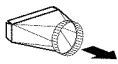
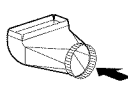
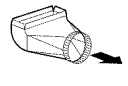
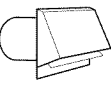
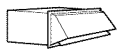

Flexible ducting:

If flexible metal ducting is used, all the equivalent feet values in the table should be doubled. The flexible metal duct should be straight and smooth and extended as much as possible.

DO NOT use flexible plastic ducting.

NOTE: Any home ventilation system, such as a ventilation hood, may interrupt the proper flow of combustion air and exhaust required by fireplaces, gas furnaces, gas water heaters and other naturally vented systems.

To minimize the chance of interruption of such naturally vented systems, follow the heating equipment manufacturer's guidelines and safety standards such as those published by NFPA and ASHRAE.

Duct Piece	Dimensions	Equivalent Length*	Quantity Used	Total Equivalent Length
	Round, straight	1 ft. (per foot length)		
	3-1/4" x 10" straight	1 ft. (per foot length)		
	90° elbow	12 ft.		
	45° elbow	7 ft.		
	3-1/4" x 10" 90° flat elbow	14 ft.		
	3-1/4" x 10" 45° flat elbow	8 ft.		
	3-1/4" x 10" 90° flat elbow	33 ft.		
	8" round to rectangular	2 ft.		
	Rectangular to 8" round	2 ft.		
	3-1/4" x 10" 8" round to rectangular transition 90° elbow	4 ft.		
	3-1/4" x 10" 3-1/4" x 12" Rectangular to 8" round transition 90° elbow	4 ft.		
	Round wall cap with damper	24 ft.		
	3-1/4" x 10" 3-1/4" x 12" Rectangular wall cap with damper	24 ft. 18 ft.		
	Round roof cap	33 ft.		

*Actual length of straight duct plus duct fitting equivalent. Equivalent length of duct pieces are based on actual tests conducted by GE Evaluation Engineering and reflect requirements for good venting performance with any ventilation hood.

Total Duct Run _____

Installation Preparation

POWER SUPPLY

IMPORTANT – (Please read carefully)

▲WARNING:

FOR PERSONAL SAFETY, THIS APPLIANCE MUST BE PROPERLY GROUNDED.

Remove house fuse or open circuit breaker before beginning installation.

Do not use an extension cord or adapter plug with this appliance. Follow National Electrical Code or prevailing local codes and ordinances.

Electrical supply

This vent hood must be supplied with 120V, 60Hz, and connected to an individual, properly grounded branch circuit, and protected by a 15- or 20-amp circuit breaker or time-delay fuse.

- Wiring must be 2-wire with ground.
- If the electrical supply does not meet the above requirements, call a licensed electrician before proceeding.
- Route house wiring as close to the installation location as possible. Wiring can enter from the ceiling or rear wall. Route additional length from the ceiling or wall to reach the junction box.
- Connect the wiring to the house wiring in accordance with local codes.

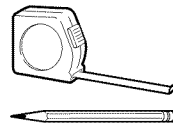
Grounding instructions

The grounding conductor must be connected to a ground metal, permanent wiring system, or an equipment-grounding terminal or lead on the hood.

▲WARNING: *The improper connection of the equipment-grounding conductor can result in a risk of electric shock. Check with a qualified electrician or service representative if you are in doubt whether the appliance is properly grounded.*

TOOLS AND MATERIALS REQUIRED

(NOT SUPPLIED)



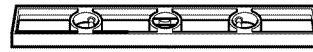
Pencil and tape measure



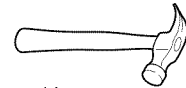
Safety glasses



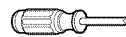
Gloves



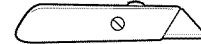
Spirit level



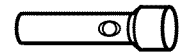
Hammer



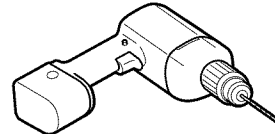
Phillips screwdriver



Utility Knife



Flashlight



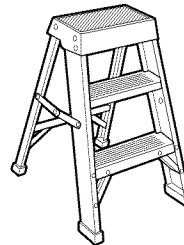
Electric drill or cordless driver with #2 Phillips bit, 1/8", 5/16" and wood-cutting hole saw drill bits



Metal snips



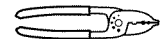
Pliers



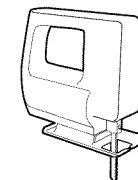
Stepladder



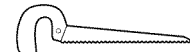
Masking tape



Wire cutter/stripper



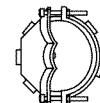
Saber saw or Key Hole saw



UL-listed wire nuts



Aluminized duct tape



Strain relief for junction box



8" round metal duct, length to suit installation



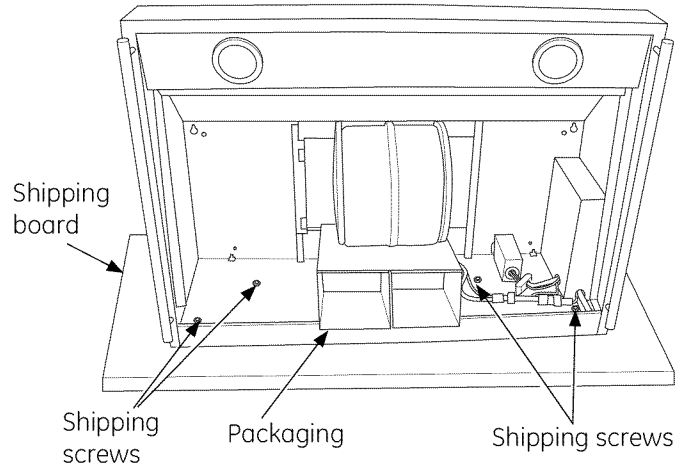
120V 60Hz. 15- or 20-Amp, 2-wire with ground, properly grounded branch circuit

Installation Preparation

REMOVE THE PACKAGING

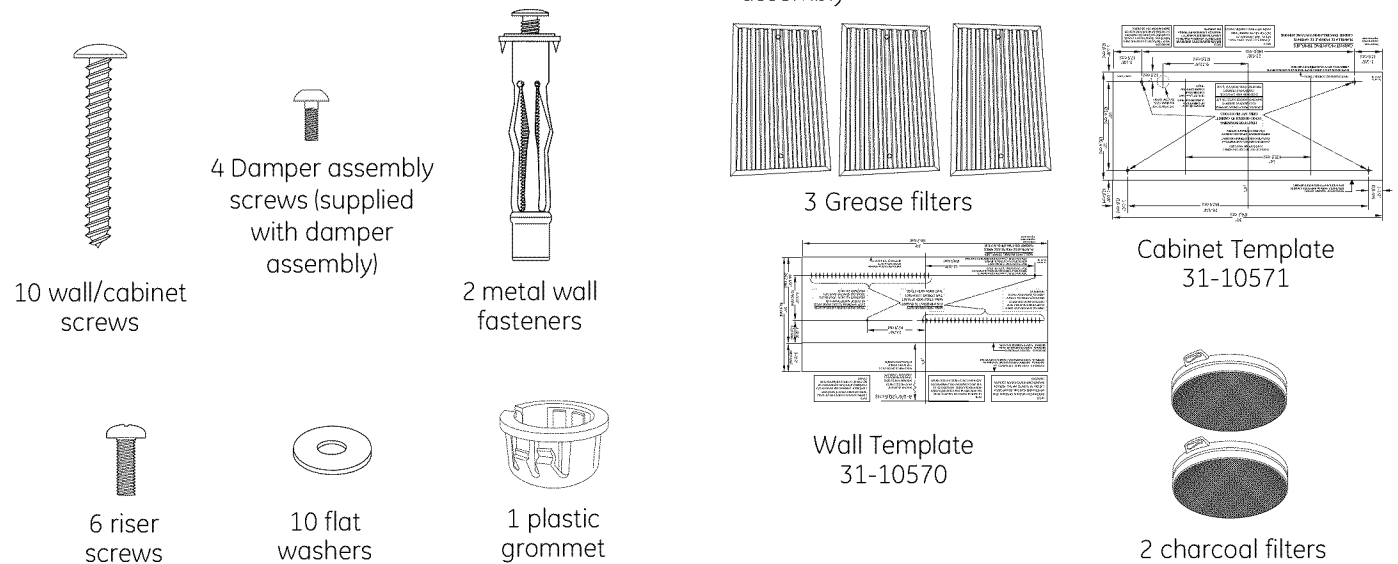
⚠ CAUTION: Wear gloves to protect against sharp edges. The vent hood is shipped secured to a shipping board with 4 screws.

- Remove the accessories and Styrofoam packaging.
- Lift the hood out of the box.
- Remove and properly discard the plastic wrapping.
- Remove metal grease filters and other accessories.
- To remove the shipping board, locate and remove the 4 screws inside the hood on the left and right sides. Discard the shipping board.



CHECK INSTALLATION HARDWARE

Locate the hardware accessory box packed with the hood and check contents.



NOTE: Additional tools, materials and hardware are required to construct your wall framing support.

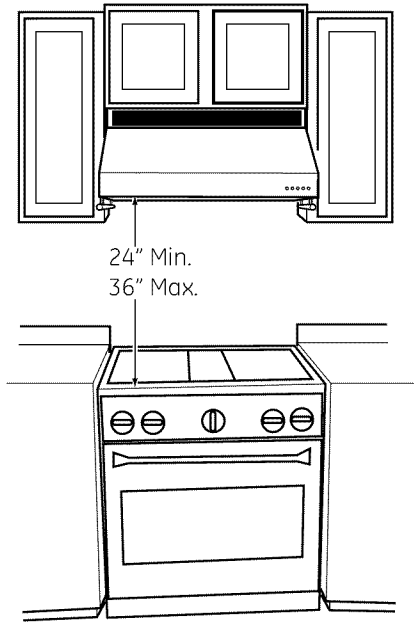
Installation Preparation

DETERMINE INSTALLATION HEIGHT

This hood can be installed for vented or recirculating operation. All necessary parts are shipped with the hood for recirculation mode.

NOTE: Installation height should be measured from the cooking surface to the bottom of the hood.

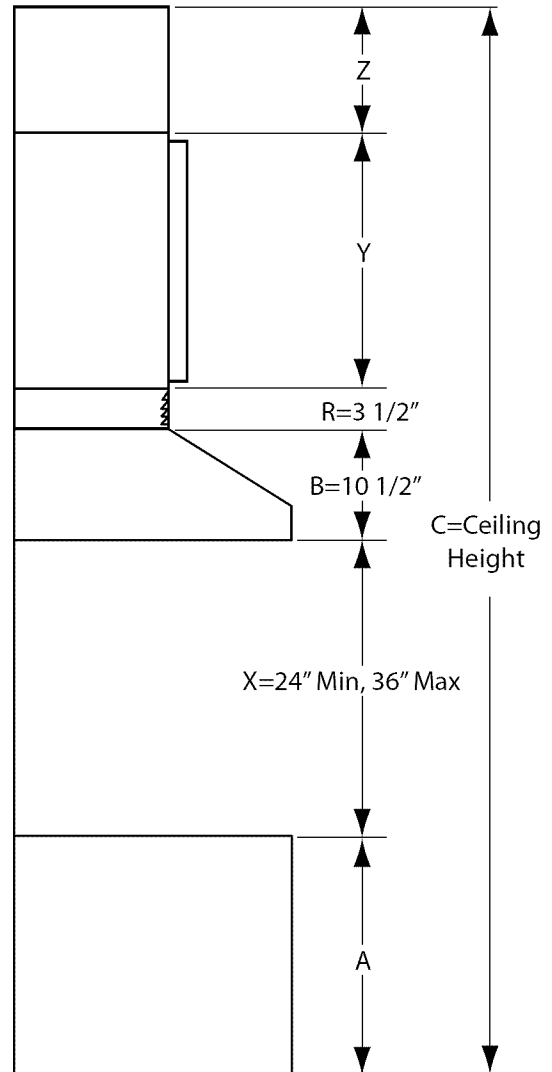
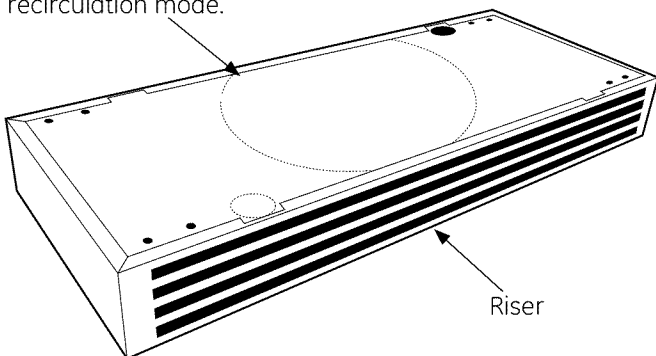
The vent hood must be installed 24" min. and 36" max. above the cooking surface.



Recirculation Mode

You must use the riser with louvers facing the front side with recirculation mode. The hood height with the riser is 14". **Do not knock out the duct opening on the riser.**

DO NOT knock out the duct opening for recirculation mode.



To determine the distance between the bottom of the hood and the cooking surface (Min 24", Max. 36" use the following formula to solve for X:

$$X = C - (A + B + R + Y + Z) \text{ where}$$

A = Cooking surface to the floor

B = Hood height without riser

C = Ceiling height

R = Riser height (must be used with recirculation mode, optional for vent mode)

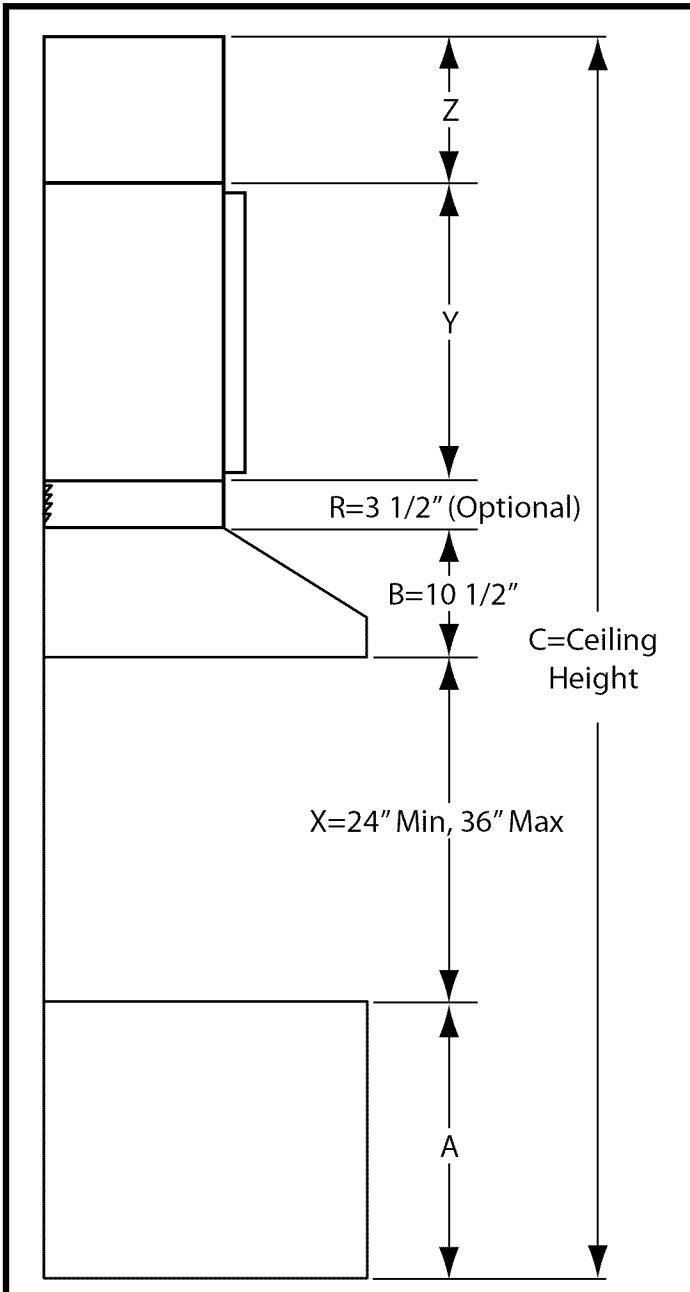
Y = Cabinet height

Z = Soffit/Gap between the cabinet and ceiling (may be "0")

$$\text{Example: } X = 96" - (36" + 10 \frac{1}{2}" + 3 \frac{1}{2}" + 15" + 6")$$

$$X = 25"$$

Installation Preparation



Vent Mode

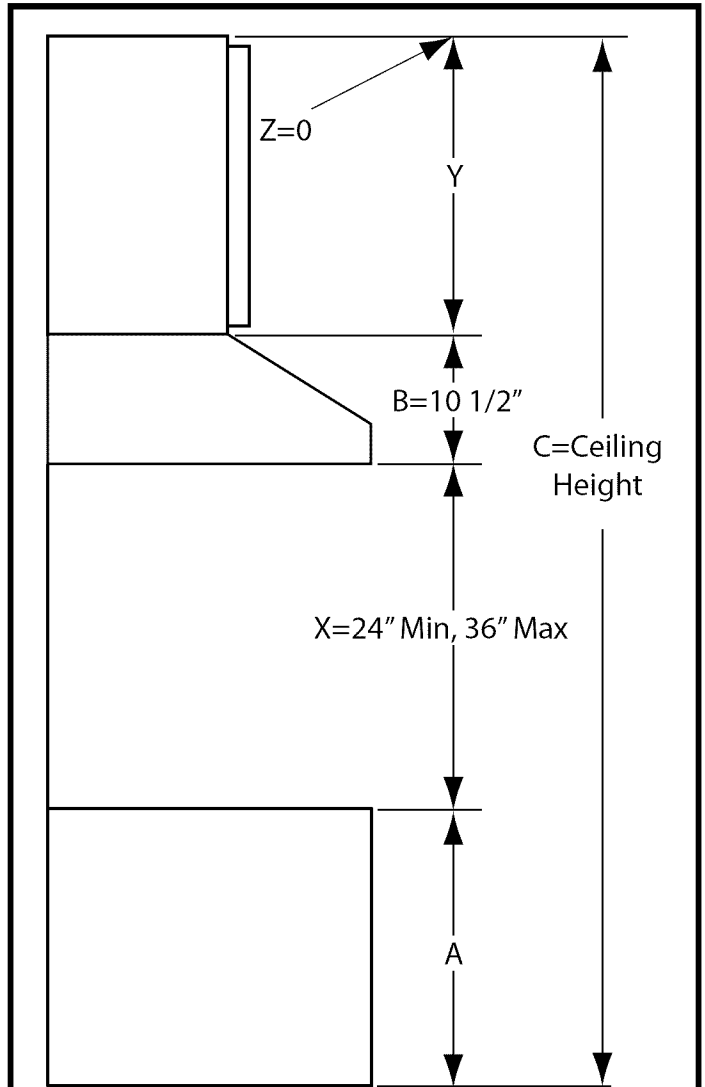
In vent mode, installation can be done with or without the riser. You must consider 3 1/2" riser height in determining the hood installation height.

To determine the hood installation height with riser:

$$X = C - (A + B + R + Y + Z)$$

$$\text{Example: } X = 96" - (36" + 10 \frac{1}{2}" + 3 \frac{1}{2}" + 15" + 6")$$

$$X = 25"$$



To determine the hood installation height without riser:

$$X = C - (A + B + Y + Z)$$

$$\text{Example: } X = 96" - (36" + 10 \frac{1}{2}" + 24" + 0")$$

$$X = 25 \frac{1}{2}"$$

NOTE: Installation height should be measured from the cooking surface to the bottom of the hood. The vent hood must be installed 24" min. and 36" max. above the cooking surface. The hood installation height, from the cooking surface to the bottom of the hood, depends upon ceiling height and other factors which must be considered.

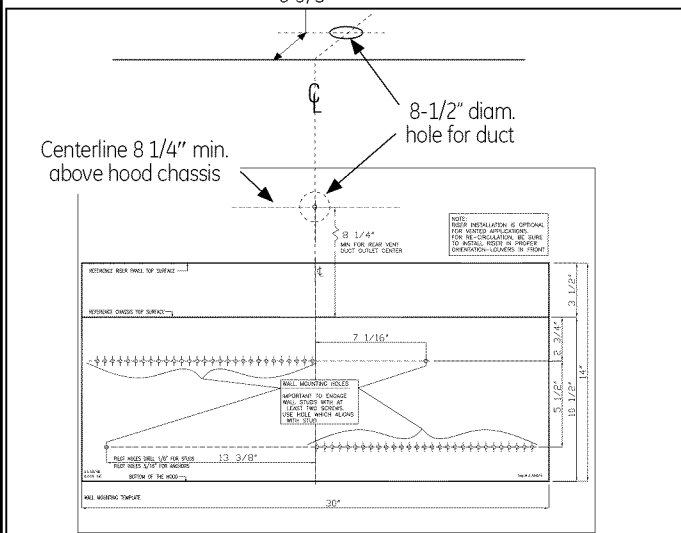
Installation Instructions

INSTALLATION – VENTED TO THE OUTSIDE

1 DUCTWORK, WIRING LOCATIONS

Determine the exact location of the vent hood.

- Locate the template packed with the literature.
 - Measure 36" from the floor to the top of the cooking surface. Add hood installation height determined on previous pages. Mark that location.
 - Use a level to draw a straight pencil line on the wall.
 - Tape the template in position along the penciled line. CHECK TO BE SURE THE TEMPLATE IS LEVEL.



Cabinet/Ceiling ducting:

If ductwork will vent straight up to the ceiling or cabinet:

- Use a level to draw a line straight up, from the centerline on the template to the ceiling/cabinet.
- Measure 6-5/8" from the back wall to the centerline of an 8-1/2" hole on the ceiling/cabinet top.

NOTE: If drywall is not present, add drywall thickness to the 6-5/8" dimension.

Wall Ducting:

If ductwork will vent to the rear:

- Use a level to draw a line straight up from the centerline on the template.
- Measure at least 8 1/4" above the hood chassis top surface location shown on the template to the centerline of a 8-1/2"-dia. duct hole. (Hole may be elongated for duct elbow.)

House Wiring Location:

- The junction box is located on the top right side of the hood.

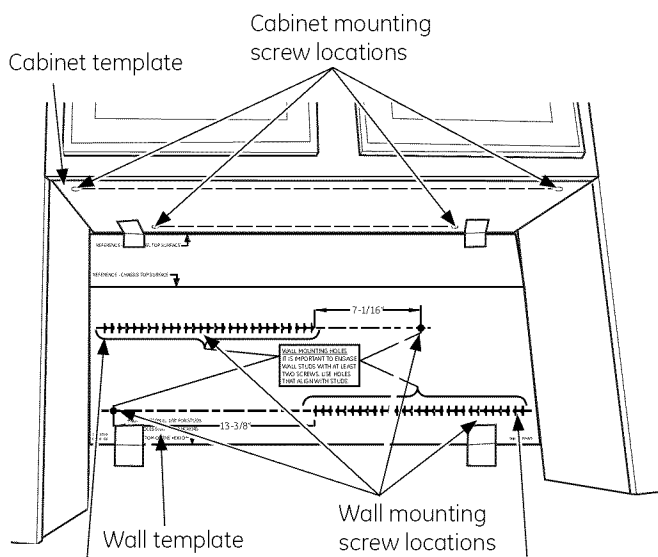
1 DUCTWORK, WIRING LOCATIONS (Continued)

- Wiring can enter the cabinet from the ceiling or back wall.
- Route additional wiring length to reach the junction box.

2 WALL OR CEILING AND CABINET PREPARATION

IMPORTANT — The vent hood must be secured to the cabinet and at least two wall studs and drywall with anchors. Cabinet must be capable of supporting 100 lbs.

- With the template taped in place, use a punch to mark all mounting screw locations. Mark ductwork, screw and electrical holes according to your application.
- Drill a minimum 3/4" hole for electrical cable in the bottom of the cabinet.
- Drill 1/8" pilot holes at the 4 punched locations on the bottom of the cabinet.
- Drill 1/8" pilot holes at the 4 punched locations on the wall
- Remove the template.
- Enlarge holes that did not enter studs to 5/16". Tap anchors for wall fasteners into the holes.



NOTE: It is important to engage the wall studs with at least two screws. Use the holes which align with the studs.

Installation Instructions

INSTALLATION – VENTED TO THE OUTSIDE

2 WALL OR CEILING AND CABINET PREPARATION (Continued)

FOR REAR WALL DUCTING

Determine the cabinet center line.

If the hood is mounted with the riser:

- Cut a 14" diameter hole in the cabinet bottom.
- Cut an 8-1/2" diameter hole in the cabinet rear wall. You may need to add ducting between the hood exhaust outlet and the elbow.

If the hood is mounted without the riser:

- Cut a 10" diameter hole in the cabinet bottom.
- Cut the location of the 8-1/2" diameter hole in the cabinet rear wall. You may need to add ducting between the hood exhaust outlet and the elbow, depending on the location planned for the rear wall exit.
- Depending on cabinet height, you may need to shorten the height of the 8" elbow.

FOR CEILING DUCTING

If the hood is mounted with the riser:

- Cut a 14" diameter hole in the cabinet bottom.
- Cut an 8-1/2" diameter hole in the cabinet top and ceiling 6-5/8" from wall.

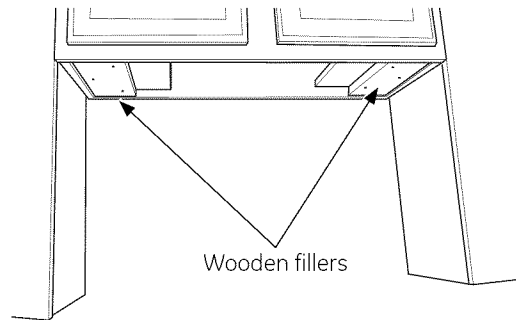
If the hood is mounted without the riser:

- Cut a 10" diameter hole in the cabinet bottom 6- 5/8" from the wall.
- Cut an 8-1/2" diameter hole in the cabinet top 6-5/8" from the wall and one in the ceiling 6-5/8" from wall.

NOTE: Any exposed ducting needs to be covered using your preferred method.

3 MOUNTING HOOD TO BOTTOM OF CABINET

Mounting hood to the bottom of the cabinet is dependent on your cabinet. For non-flush bottom cabinets, two (2) 4" wide (length and thickness depend on your cabinet) solid wooden fillers are required on the left and right sides of lower cabinet as shown in the picture. Use shims if necessary to make the wooden fillers flush.

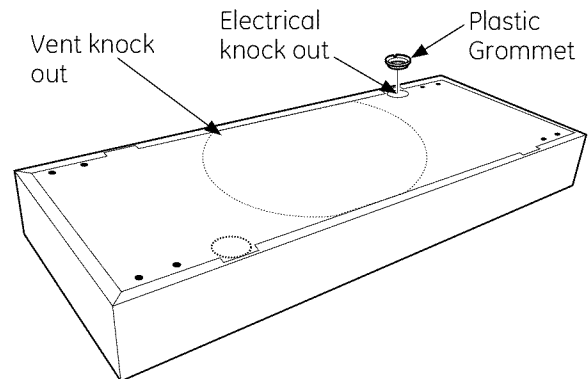


NOTE: When securing wooden fillers to cabinet, be sure to consider hood mounting screw locations on the template. Wooden fillers must be flush or slightly less than the cabinet flange. Make sure the cabinet bottom is level.

For flush bottom cabinets, no special instructions are required.

Hood Installation with Riser:

- Remove the appropriate electrical and duct knockouts in the riser as shown in the figure.
- Install plastic grommet (from hardware bag) in electrical knockout hole to protect the cable.



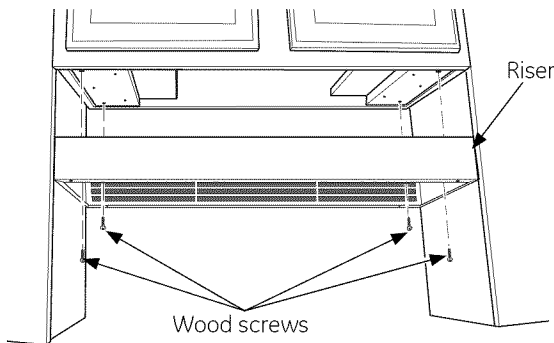
Installation Instructions

INSTALLATION – VENTED TO THE OUTSIDE

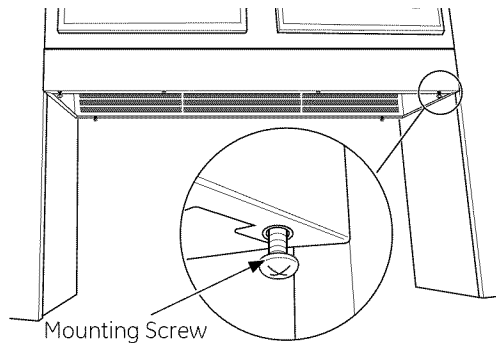
3 MOUNTING HOOD TO BOTTOM OF CABINET (Continued)

- To secure the riser to the cabinet, place the riser (with louvers facing the wall) under the cabinet. Align the riser and cabinet mounting holes. Drive 4 supplied wood screws to install the riser to the cabinet.

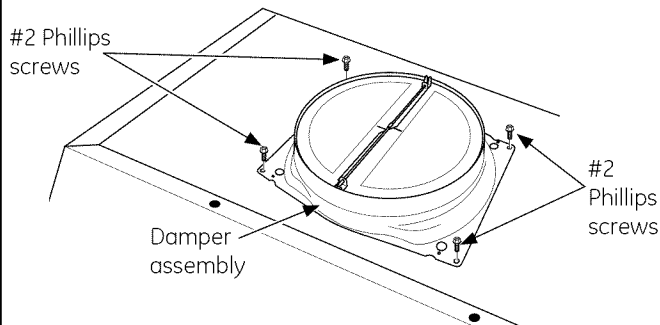
NOTE: If desired, you may choose to install the riser with the louvers facing forward.



- Drive 4 hood mounting screws into the threaded nuts on the bottom of the riser leaving 1/4" protruding from the riser. The 1/4" gap will provide the clearance to engage the key hole slots in the top of the hood.

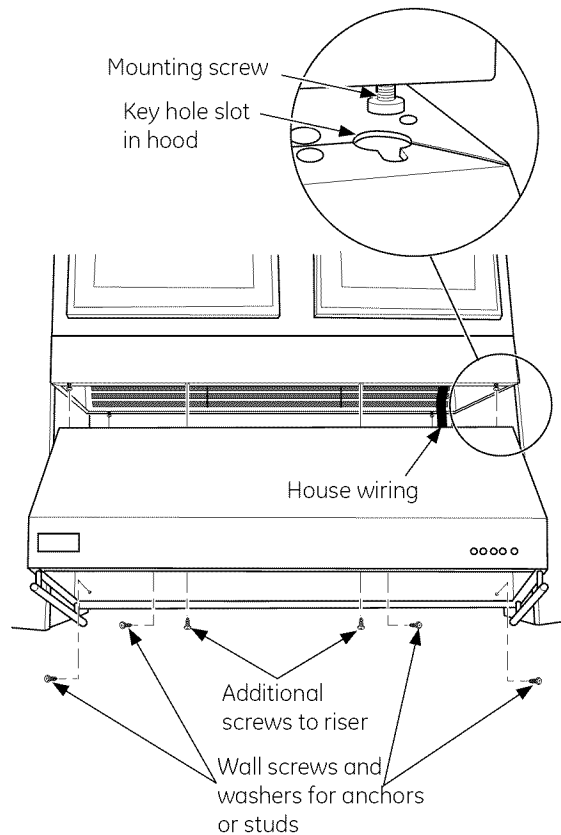


- Install the damper assembly on top of the hood with 4 Phillips screws supplied.



3 MOUNTING HOOD TO BOTTOM OF CABINET (Continued)

- Lift the hood to the installation position. Locate the house wiring and route it through the knockout on top of the hood. Lift the hood and engage the key hole slots over the mounting screws and slide it back against the wall. Tighten the mounting screws. Add 2 additional screws at the front center of the riser.
- Install 4 wall screws and washers into the anchors or studs to complete the hood mounting.



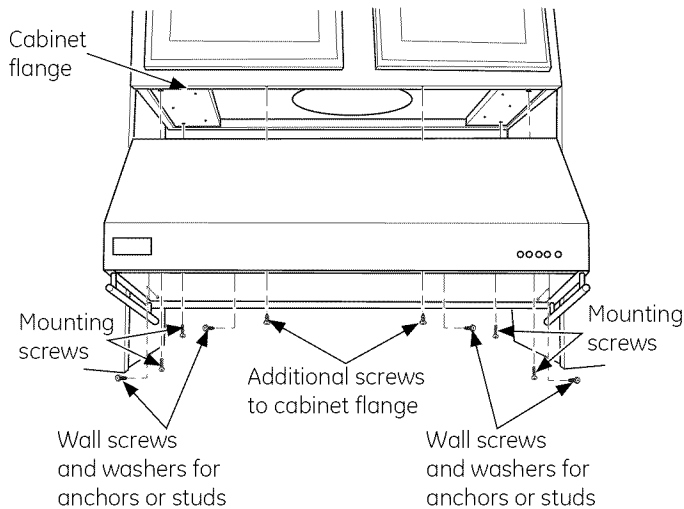
Installation Instructions

INSTALLATION – VENTED TO THE OUTSIDE

3 MOUNTING HOOD TO BOTTOM OF CABINET (Continued)

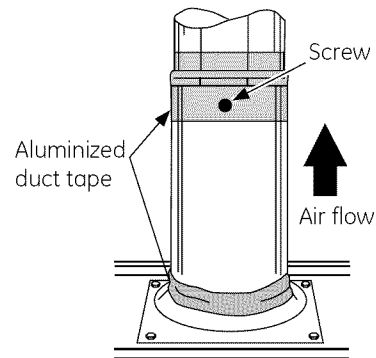
Hood Installation without Riser:

- Install the damper assembly on top of the hood with 4 supplied Phillips screws.
- Lift the hood under the cabinet. Align the hood and cabinet mounting holes. Use 4 supplied wood screws and washers to secure the hood to the cabinet.
- Drill two 1/8" pilot holes in the cabinet flange. Secure with 2 additional wood screws, supplied. Be careful when driving screws into the front flange.
- Install 4 wall screws into the anchors or studs to complete the hood mounting.



4 CONNECTING DUCTWORK

- Install the ductwork by making connections in the direction of the airflow.
- Secure joints in ductwork with sheet metal screws, being sure to allow clearance for damper flaps to open and close.
- Wrap all duct joints with aluminized duct tape for an airtight seal.
- Use aluminized duct tape to secure the flange connection. Reach inside the hood and push the damper up to be sure it moves freely.



Installation Instructions

INSTALLATION – VENTED TO THE OUTSIDE

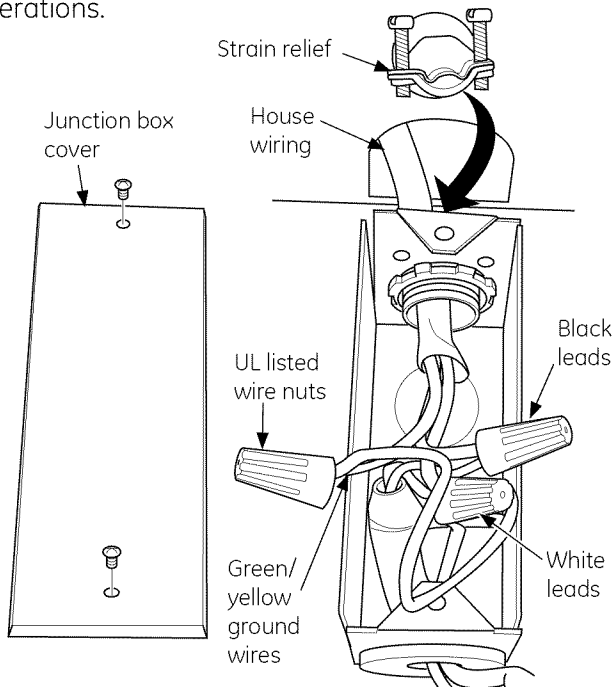
5 CONNECTING ELECTRICAL

Verify that the power is turned off at the source.

▲WARNING: *If the house wiring is not 2-wire with a ground wire, a ground must be provided by the installer. When house wiring is aluminum, be sure to use UL-approved antioxidant compound and aluminum-to-copper connectors.*

- Remove the junction box cover.
- Secure the house wiring to the junction box with a strain relief (not provided).
- Connect the white lead to the branch circuit white lead.
- Connect the black lead to the branch circuit black lead.
- Connect the green/yellow lead to the branch circuit green lead or bare ground lead.
- Secure all the connections with wire nuts on each electrical connector. Check for secure wiring connections.
- Push the wires into the junction box and replace the cover. Be sure the wires are not pinched.
- Secure the junction box cover with the 2 original screws.

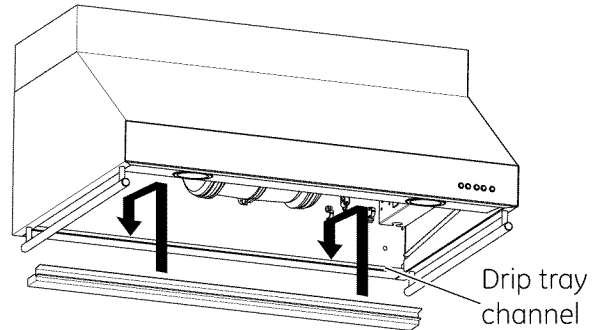
Put the main power disconnect switch located on the control box cover to the ON position. Test all hood functions to ensure electrical connections. See the owner's manual for instructions to test operations.



6 INSTALLING BAFFLE GREASE FILTERS AND DRIP TRAY

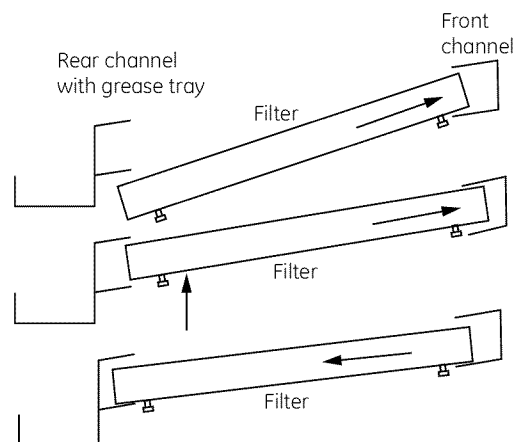
Installing Drip Tray

1. Lift drip tray with slots and filter channel toward the front.
2. Align the tray with the hood drip tray channel and ease into position.



Installing Baffle Grease Filters

1. Remove protective film.
2. Hold both filter knobs while positioning the front end of the filter in the upper (front) filter channel. Pull the filter as far forward as possible into the channel.
3. Lift the opposite end of the filter, aligning with the rear (lower) filter channel.
4. Push the filter into the rear channel, allowing it to settle into the rear channel.
5. Make sure filters are seated properly.



7 FINALIZE INSTALLATION

- Remove any remaining protective film from the front face of the hood.
- Be sure fan and lights operate correctly. Refer to the Owner's Manual for operating instructions and Problem Solver.

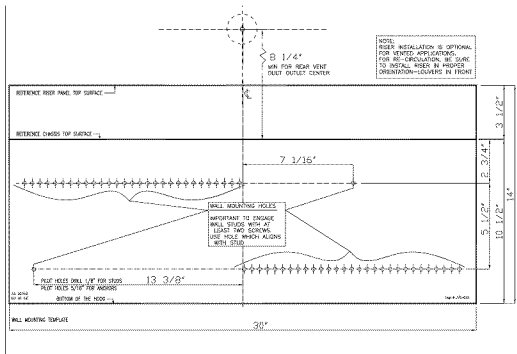
Installation Instructions

INSTALLATION – RECIRCULATING

1 WIRING LOCATIONS

Determine the exact location of the vent hood.

- Locate the template packed with the literature.
 - Measure 36" from the floor to the top of the cooking surface. Add hood installation height determined on previous pages. Mark that location.
 - Use a level to draw a straight pencil line on the Wall.
 - Tape the template in position along the penciled line. CHECK TO BE SURE THE TEMPLATE IS LEVEL.



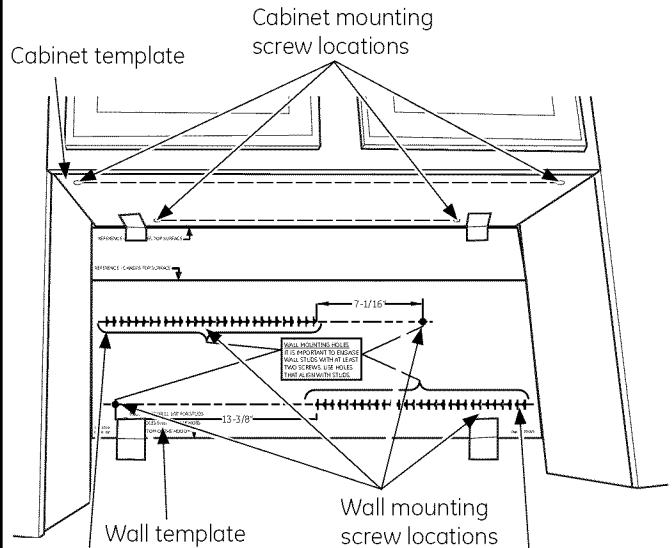
HOUSE WIRING LOCATION:

- The junction box is located on the top right side of the hood.
- Wiring can enter the cabinet from the ceiling or from the back wall.
- Route additional wiring length to reach the junction box.

2 WALL AND CABINET PREPARATION

IMPORTANT — The vent hood must be secured to the cabinet and at least two wall studs and drywall with anchors. Cabinet must be capable of supporting 100 lbs.

- With the template taped in place, use a punch to mark all mounting screw locations and electrical holes according to your application.
- Drill a minimum 3/4" hole for electrical cable in bottom of the cabinet.
- Drill 1/8" pilot holes at the 4 punched locations on the bottom of the cabinet.
- Drill 1/8" pilot holes at the 4 punched locations on the wall.
- Remove the template.
- Enlarge holes that did not enter studs to 5/16". Tap anchors for wall fasteners into the holes.



NOTE: It is important to engage the wall studs with at least two screws. Use the holes which align with the studs.

Installation Instructions

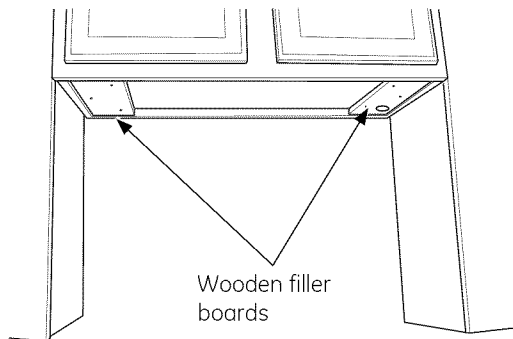
INSTALLATION – RECIRCULATING

3 MOUNTING HOOD TO BOTTOM OF CABINET

Mounting the riser to the bottom of the cabinet is dependent on your cabinet. For non-flush bottom cabinets, two (2) 4" wide (length and thickness depend on your cabinet) solid wood fillers are required on the left and right sides of lower cabinet as shown. Use shims if necessary to make wooden fillers flush.

NOTE: When securing wooden fillers to cabinet, be sure to consider the hood mounting screw locations on the template. Wooden fillers must be flush or slightly less than the cabinet flange. Make sure the cabinet bottom is level.

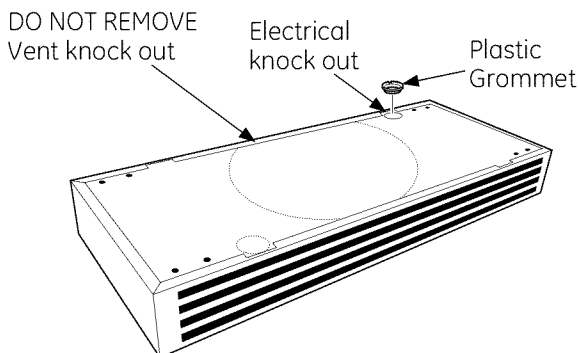
For flush bottom cabinets, no special instructions are required.



Hood and Riser Installation

- Remove the appropriate electrical knockouts in the riser as shown in the figure.
- Install plastic grommet (from hardware bag) in electrical knock out hole to protect cable.

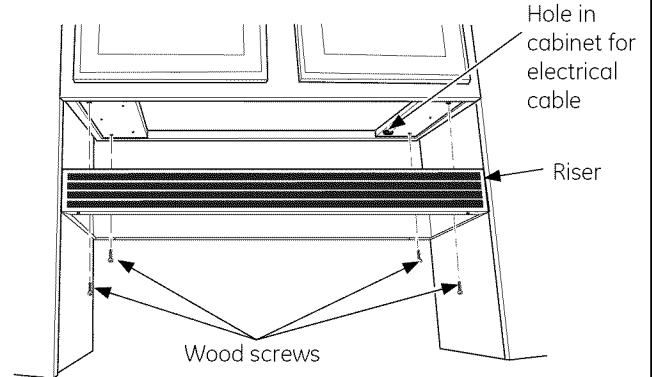
IMPORTANT: DO NOT remove the large knock out for RECIRCULATION installation. Louvers must face the front.



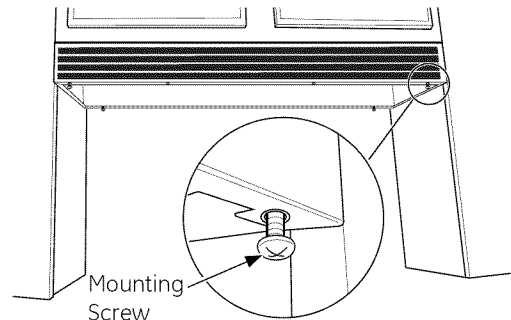
3 MOUNTING HOOD TO BOTTOM OF CABINET (Continued)

To secure the riser to the cabinet:

- Place the riser (with louvers facing the front) under the cabinet. Align the riser and cabinet mounting holes. Drive 4 supplied wood screws to install the riser to the cabinet.



- Drive 4 hood mounting screws into the threaded nuts on the bottom of the riser leaving 1/4" protruding from the riser. The 1/4" gap will provide the clearance to engage the key hole slots in the top of the hood.

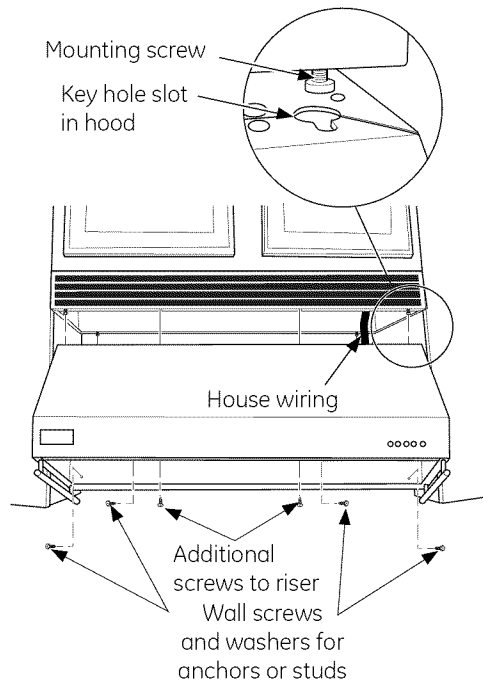


Installation Instructions

INSTALLATION – RECIRCULATING

3 MOUNTING HOOD TO BOTTOM OF CABINET (Continued)

- Lift the hood to the installation position. Locate the house wiring and route it through the knock-outs at the top right of the hood. Lift the hood and engage the key hole slots over the mounting screws and slide it back against the wall. Tighten the mounting screws. Add 2 additional screws at the front and center the hood on the riser.
- Install 4 wall screws into the anchors or studs to complete the hood mounting.



4 CONNECTING ELECTRICAL

Verify that the power is turned off at the source.

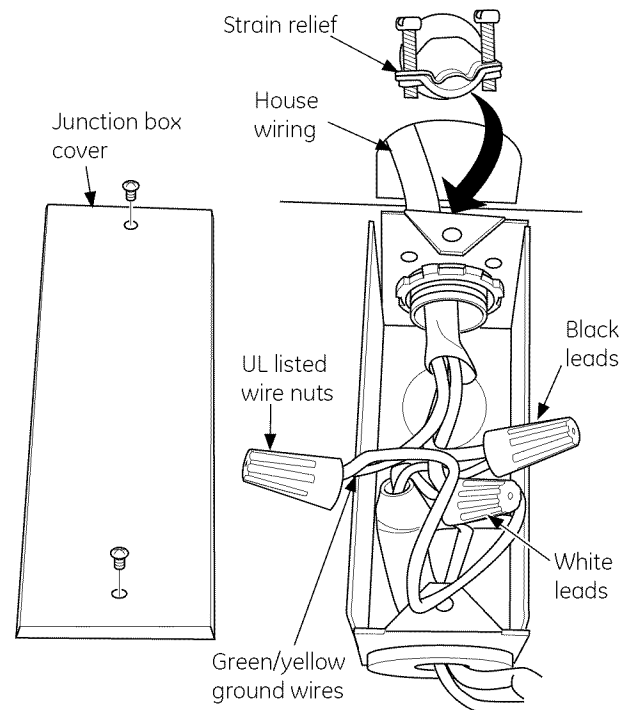
⚠ WARNING: *If the house wiring is not 2-wire with a ground wire, a ground must be provided by the installer. When house wiring is aluminum, be sure to use UL-approved antioxidant compound and aluminum-to-copper connectors.*

- Remove the junction box cover.
- Secure the house wiring to the junction box with a strain relief (not provided).
- Connect the white lead to the branch circuit white lead.

4 CONNECTING ELECTRICAL (Continued)

- Connect the black lead to the branch circuit black lead.
- Connect the green/yellow lead to the branch circuit green lead or bare ground lead.
- Secure all the connections with wire nuts on each electrical connector. Check for secure wiring connections.
- Push the wires into the junction box and replace the cover. Be sure the wires are not pinched.
- Secure the junction box cover with the 2 original screws.

Put the main power disconnect switch located on the control box cover to the ON position. Test all hood functions to ensure electrical connections. See the owner's manual for instructions to test operations.



Installation Instructions

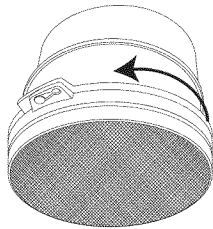
INSTALLATION – RECIRCULATING

5 INSTALLING CHARCOAL FILTERS

Charcoal filters must be installed for recirculation installation.

To install:

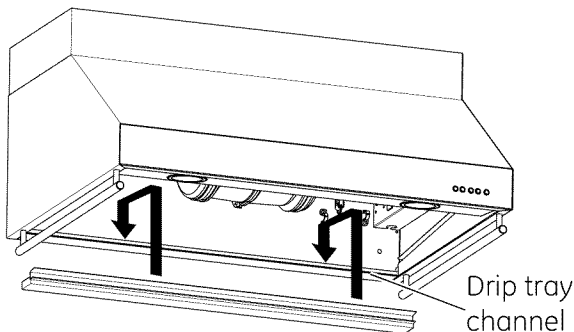
1. Align the charcoal filter with the notch on the plastic blower cover.
2. Turn the filter counterclockwise to lock into place. Make sure both tabs are engaged on the charcoal filter. Make sure the filters are secure.



6 INSTALLING BAFFLE GREASE FILTERS AND DRIP TRAY

Installing Drip Tray

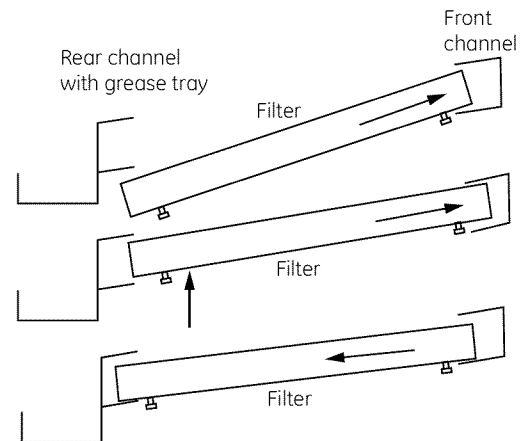
1. Lift drip tray with slots and filter channel toward the front.
2. Align the tray with the hood drip tray channel and ease into position.



6 INSTALLING BAFFLE GREASE FILTERS AND DRIP TRAY (Continued)

Installing Baffle Grease Filters

1. Remove protective film.
2. Hold both filter knobs while positioning the front end of the filter in the upper (front) filter channel. Pull the filter as far forward as possible into the channel.
3. Lift the opposite end of the filter, aligning with the rear (lower) filter channel.
4. Push the filter into the rear channel, allowing it to settle into the rear channel.
5. Make sure filters are seated properly.



7 FINALIZE INSTALLATION

- Remove any remaining protective film from the front face of the hood.
- Be sure fan and lights operate correctly. Refer to the Owner's Manual for operating instructions and Problem Solver.

Notes

NOTE: While performing installations described in this book, safety glasses or goggles should be worn.

For Monogram® local service in your area, call 1.800.444.1845.

NOTE: Product improvement is a continuing endeavor at General Electric. Therefore, materials, appearance and specifications are subject to change without notice.



Consignes de Sécurité

LISEZ ET CONSERVEZ CES INSTRUCTIONS

AVANT DE COMMENCER

Lisez ces instructions entièrement et attentivement.

- **IMPORTANT** — Conservez ces instructions pour l'inspecteur électrique local.
- **IMPORTANT** — Respectez tous les codes et règlements en vigueur.
- **Remarque pour l'installateur** – Assurez-vous de remettre ces instructions à l'utilisateur.
- **Remarque pour l'utilisateur** – Conservez ces instructions avec votre notice d'utilisation pour toute référence future.
- **Niveau de compétence** – L'installation de cet appareil demande des connaissances de base en mécanique et en électricité.
- **Délai d'exécution** – 1 à 3 heures.
- L'installateur est responsable de l'installation correcte de l'appareil. La panne de l'appareil due à une mauvaise installation n'est pas couverte par la garantie.

Pour les services locaux Monogram dans votre secteur, appelez le 1.800.444.1845.

Pour les services Monogram au Canada, appelez le 1.800.561.3344.

Pour les Pièces et Accessoires Monogram, appelez 1.800.626.2002.

▲ MISE EN GARDE :

A cause de la taille et du poids de ces hottes aspirantes ainsi que pour réduire le risque de blessure corporelle ou de dommage au produit, DEUX PERSONNES SONT REQUISES POUR UNE INSTALLATION CORRECTE.

▲ AVERTISSEMENT :

Pour réduire le risque d'incendie ou de choc électrique, n'utilisez pas cette hotte avec un dispositif de contrôle de la vitesse à semi-conducteurs. Toute altération du câblage électrique d'origine peut endommager l'appareil et/ou créer un risque électrique.

POUR RÉDUIRE LE RISQUE D'INCENDIE, N'UTILISEZ QUE DES CONDUITS MÉTALLIQUES.

▲ AVERTISSEMENT : POUR RÉDUIRE LE RISQUE D'INCENDIE, DE CHOC ÉLECTRIQUE OU DE BLESSURE CORPORELLE, SUIVEZ LES INSTRUCTIONS SUIVANTES :

- A. Cet appareil doit uniquement être utilisé aux fins prévues par le fabricant. Si vous avez des questions, contactez le fabricant.

- B. Avant de réparer ou de nettoyer un appareil, coupez l'alimentation électrique au niveau du tableau de distribution et verrouillez le disjoncteur pour éviter que l'alimentation électrique ne soit accidentellement rétablie. Quand il n'est pas possible de verrouiller le disjoncteur, attachez un moyen d'avertissement, une étiquette par exemple, au panneau de distribution.

▲ MISE EN GARDE : UNIQUEMENT POUR UNE ÉVACUATION DE TYPE GÉNÉRAL. N'UTILISEZ PAS CET APPAREIL POUR ÉVACUER DES SUBSTANCES OU DES VAPEURS NOCIVES OU EXPLOSIVES.

▲ AVERTISSEMENT : POUR RÉDUIRE LE RISQUE D'INCENDIE, DE CHOC ÉLECTRIQUE OU DE BLESSURE CORPORELLE, SUIVEZ LES INSTRUCTIONS SUIVANTES :

- L'installation et le câblage électrique doivent être effectués par une ou plusieurs personnes qualifiées, conformément à tous les codes et toutes les normes applicables, dont ceux concernant la résistance au feu des constructions.
- Une quantité d'air suffisante est nécessaire à une combustion et une évacuation appropriées des gaz par le conduit d'évacuation (cheminée) de l'équipement à combustible pour éviter tout refoulement. Suivez les directives et normes de sécurité du fabricant de l'appareil chauffant, comme celles publiées par la National Fire Protection Association (NFPA), par l'American Society for Heating, Refrigeration and Air Conditioning Engineers (ASHRAE) et par les autorités locales.
- Lorsque vous effectuez des découpes ou que vous percez un mur ou un plafond, n'endommagez pas le câblage électrique ou tout autre réseau d'alimentation caché.
- L'air des ventilateurs disposant de conduits d'aération doit toujours être évacué vers l'extérieur.
- Les codes locaux peuvent varier. L'installation de branchements électriques et la mise à la terre doivent être conformes aux codes en vigueur. Les évacuations doivent être installées conformément à la dernière édition du Code Electrique National ANSI/NFPA No 70-1990.

▲ MISE EN GARDE : Pour réduire le risque d'incendie et évacuer correctement l'air en l'évacuant vers l'extérieur—n'évacuez pas l'air vers un espace entre deux murs ou dans le plafond ou encore dans un grenier, un vide sanitaire ou un garage.

Information de conception

TABLE DES MATIÈRES

Information de conception

Modèles disponibles	22
Dimensions de l'appareil	22

Planification

Planification des conduits	23
Support adéquat	23

Préparation pour l'installation

Raccords de conduits.....	24
Alimentation électrique	25
Outils et matériels nécessaires	25
Retrait de l'emballage	26
Vérification du matériel d'installation	26
Détermination de la hauteur d'installation	27

Instructions d'installation

Installation – Évacuation vers l'extérieur	29-33
Étape 1, Emplacement du conduit et du câblage.....	29
Étape 2, Préparation des armoires et du plafond ou du mur	29, 30

Étape 3, Installation de la hotte sous les armoires	30-32
Étape 4, Raccordement du conduit.....	32
Étape 5, Raccordements électriques.....	29
Étape 6, Installation des filtres à graisses et de la gouttière	29
Étape 7, Finition de l'installation	30

Directives d'installation

Installation – Recyclage de l'air	34-37
Étape 1, Emplacement du câblage	34
Étape 2, Préparation du mur et des armoires	34
Étape 3, Installation de la hotte sous les armoires	34-36
Étape 4, Raccordements électriques.....	36
Étape 5, Installation des filtres à charbon	33, 37
Étape 6, Installation des filtres à graisses et de la gouttière	37
Étape 7, Finition de l'installation	37

Modèle ZV30HS

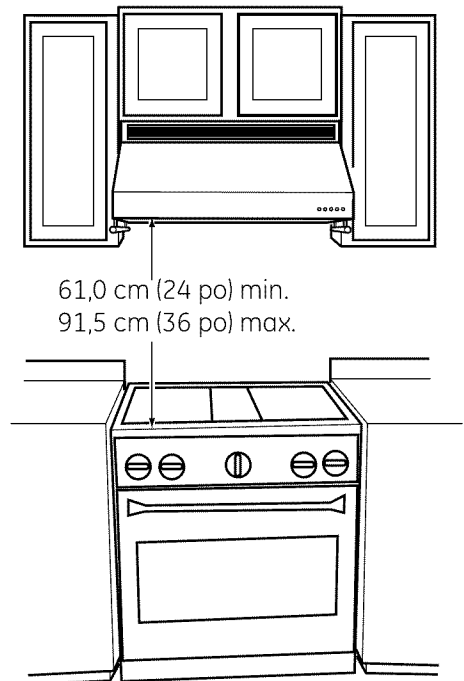
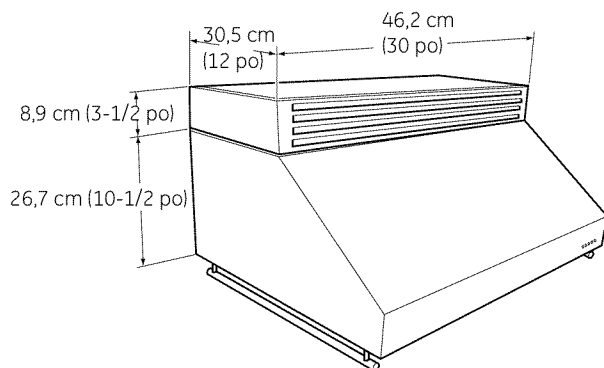
Cette hotte peut être installée de manière à évacuer l'air vers l'extérieur ou à le recycler pour le retourner dans la pièce. Toutes les pièces requises pour que la hotte puisse recycler l'air sont fournies. Aucun ensemble n'est nécessaire.

Cette hotte de cuisine peut être installée au-dessus de n'importe quelle surface de cuisson électrique ou à gaz de 76,2 cm (30 po) ou de 91,5 cm (36 po), y compris les cuisinières ou les surfaces de cuisson professionnelles Monogram de moins de 91,5 cm (36 po).

DIMENSIONS ET DÉGAGEMENTS DE L'APPAREIL

La hotte aspirante doit être installée à une hauteur minimale de 60 cm (24 po) et de 76 cm (30 po) au-dessus de la surface de cuisson.

NOTE : La hauteur d'installation de la hotte doit être mesurée de la surface de cuisson à la partie la plus basse de la hotte. Le conduit à la partie supérieure de la hotte ne doit pas être dissimulé dans le soffite et/ou dans l'armoire située au-dessus de l'appareil. AUCUN accessoire pour recouvrir le conduit n'est fourni ou nécessaire.



PLANIFICATION DU CONDUIT POUR L'ÉVACUATION VERS L'EXTÉRIEUR

- Cette hotte est conçue pour être installée sous des armoires, ou sous des armoires fixées à un soffite.
- Cette hotte est conçue pour être accordée à un conduit circulaire de 20,3 cm (8 po). Le conduit circulaire de 20,3 cm (8 po) peut être raccordé à un adaptateur de 8,2 cm (3 1/4 po) x 25,4 cm (10 po) ou de 8,2 cm (3 1/4 po) x 30,5 cm (12 po).
- Planifiez le trajet suivi par le conduit d'évacuation vers l'extérieur, en tenant compte des adaptateurs nécessaires.
- Utilisez un conduit acheté localement pour effectuer le raccordement horizontal par le mur arrière ou le raccordement vertical par le plafond.
- Utilisez la longueur de conduit la plus droite et la plus courte possible. Pour un rendement satisfaisant, la longueur du conduit ne doit pas être supérieure à 30,5 mètres (100 pieds) équivalents, quelle que soit la configuration du conduit.
- Reportez-vous au tableau «Raccords de conduits» pour calculer la longueur permise maximale pour le conduit d'évacuation vers l'extérieur.
- Installez un évent mural ou de toiture, doté d'un registre dans l'ouverture donnant sur l'extérieur. Commandez à l'avance le couvercle mural ou de toit, ou tout adaptateur et longueur de conduit nécessaires auprès de votre quincaillerie ou centre de rénovation local.
- Déterminez l'emplacement exact de l'évent d'évacuation.
- Le conduit du plafond ou du mur doit dépasser d'au moins 2,5 cm (1 po) pour permettre le raccordement du conduit.

⚠ AVERTISSEMENT : POUR RÉDUIRE LES RISQUES D'INCENDIE, N'UTILISEZ QUE DES CONDUITS RIGIDES EN MÉTAL.

- Pour obtenir une meilleure circulation d'air, utilisez un système de conduits en métal rigide.

PLANIFICATION DU CONDUIT POUR LE RECYCLAGE DE L'AIR

Toutes les pièces sont fournies pour une installation en vue du recyclage de l'air.

SUPPORTS POUR UN SOUTIEN ADÉQUAT

- Cette hotte est lourde. Il faut prévoir une structure de soutien adéquate. La hotte doit être fixée à des montants verticaux dans le mur. Reportez-vous à la page 10 ou 15.
- Nous recommandons fortement d'avoir sur place la hotte pour repérer avec précision le conduit et le câblage électrique.
- L'installation sera plus facile si la hotte est installée avant la table de cuisson ou le comptoir.

IMPORTANT : La hotte doit être fixée aux armoires, ainsi qu'à au moins deux montants verticaux dans le mur, et à la cloison sèche du mur à l'aide de dispositifs d'ancrage. Les armoires doivent être en mesure de soutenir un poids de 45,4 kg (100 lb).

Préparation pour l'installation

RACCORDS DE CONDUITS

Un conduit de section circulaire de 8 po de diamètre est nécessaire pour cette hotte. Ce conduit peut passer à un conduit de 3-1/4 po x 10 po ou 3-1/4 po x 12 po.

Utilisez ce tableau pour calculer les longueurs maximales permises des conduits vers l'extérieur.

NOTE : *Ne dépassez pas la longueur équivalente autorisée !*


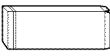


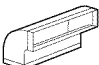
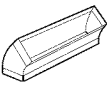

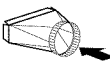
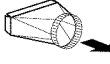
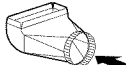
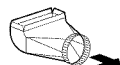

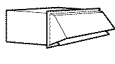

Longueur maximale de conduit : 30 m (100 pieds) pour des hottes de cuisinières.

Conduit flexible :

Si vous utilisez des conduits métalliques flexibles, toutes les valeurs en pieds équivalents de ce tableau doivent être multipliées par deux. Le conduit métallique flexible doit être droit, lisse et aussi étiré que possible.

N'UTILISEZ PAS de conduit en plastique flexible.

NOTE: *Tout système de ventilation domestique, tel qu'une hotte aspirante, est susceptible d'interférer avec le débit d'air de combustion et d'évacuation requis pour des foyers de cheminée, des brûleurs à gaz, des chauffe-eau à gaz et de tout autre système à ventilation naturelle. Afin de minimiser les risques d'interruption de tels systèmes à ventilation naturelle, veuillez suivre les directives du fabricant de l'équipement de chauffage ainsi que les normes de sécurité publiées par la NFPA et l'ASHRAE.*

Section de conduit	Dimensions	Longueur équivalente*	Quantité utilisée	Longueur équivalente totale
	Rond, droit	1 pied (par longueur en pied)		
	Droit de 3-1/4 po x 10 po	1 pied (par longueur en pied)		
	Coude de 90°	12 pieds		
	Coude de 45°	7 pieds		
	3-1/4 po x 10 po 3-1/4 po x 12 po Coude 90°	14 pieds 10 pieds		
	3-1/4 po x 10 po 3-1/4 po x 12 po Coude 45°	8 pieds 6 pieds		
	3-1/4 po x 10 po 3-1/4 po x 12 po Coude plat 90°	33 pieds 24 pieds		
	Rond de 8 po pour raccord rectangulaire	2 pieds		
	Rectangulaire pour raccord rond de 8 po	2 pieds		
	3-1/4 po x 10 po 3-1/4 po x 12 po Rond 8 po pour raccord en coude 90° rectangulaire	4 pieds 4 pieds		
	3-1/4 po x 10 po 3-1/4 po x 12 po Rectangulaire pour raccord rond 6 po en coude 90°	4 pieds 4 pieds		
	Évent mural rond avec registre	24 pieds		
	3-1/4 po x 10 po 3-1/4 po x 12 po Évent mural rectangulaire avec registre	24 pieds 18 pieds		
	Évent de toiture rond	33 pieds		

*Équivalent à la longueur réelle du conduit droit et du raccord. Les longueurs équivalentes des sections de conduit sont basées sur des essais réels effectués par GE Evaluation Engineering et représentent les longueurs nécessaires à une bonne ventilation pour tout type de hotte de ventilation.

Longueur totale de conduit _____

Préparation pour l'installation

ALIMENTATION ÉLECTRIQUE

IMPORTANT – (A lire attentivement)

⚠ AVERTISSEMENT :

POUR DES RAISONS DE SÉCURITÉ, CET APPAREIL DOIT ÊTRE CORRECTEMENT MIS À LA TERRE.

Retirez le fusible du domicile ou ouvrez le disjoncteur avant de commencer l'installation.

Les rallonges et les adaptateurs ne doivent pas être utilisés avec cet appareil. Veuillez suivre les codes électriques nationaux ou les codes et règlements locaux.

Alimentation électrique

Cette hotte aspirante doit être alimentée par du 120V, 60Hz, et branchée à un circuit de dérivation correctement mis à la terre et protégé par un disjoncteur de 15 ou 20 A ou par un fusible à action différée.

- Le câblage électrique doit être constitué de 2 brins et d'une terre.
- Si l'alimentation électrique n'est pas conforme à ces exigences, appelez un électricien qualifié avant de commencer.
- Faites passer les fils électriques domestiques le plus près possible de l'installation. Les fils peuvent passer par le plafond ou par le mur arrière. Faites passer toute longueur supplémentaire par le plafond ou le mur pour atteindre la boîte de jonction.
- Raccordez le câblage de la hotte au câblage du domicile conformément aux codes locaux.

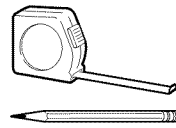
Instructions de mise à la terre

Le fil de mise à la terre doit être connecté à une partie métallique mise à la terre, à une borne de terre ou à un fil de sortie de la hotte.

⚠ AVERTISSEMENT : Une connexion incorrecte de ce fil de terre pourrait provoquer un risque de choc électrique. Vérifiez auprès d'un électricien qualifié ou d'un représentant si vous n'êtes pas sûr que votre appareil soit correctement mis à la terre.

OUTILS ET MATÉRIELS NÉCESSAIRES

(NON FOURNI)



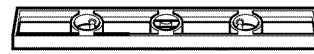
Crayon et mètre



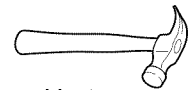
Lunettes de sécurité



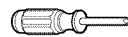
Gants



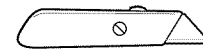
Niveau à bulle



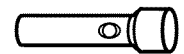
Marteau



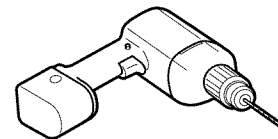
Tournevis Phillips



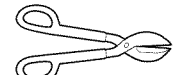
Couteau à lame rétractable



Torche



Perceuse électrique ou sans file avec embout Phillips n° 2, forets de 1/8 po et 5/16 po, et scie-cloche à bois



Cisaille à métaux



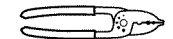
Pincès



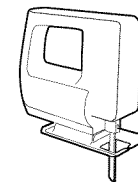
Escabeau



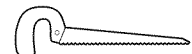
Ruban-cache



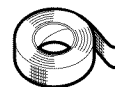
Coupe-fils/Outil à dénuder les fils



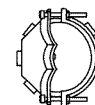
Scie sauteuse ou scie à guichet



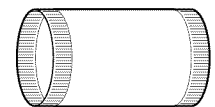
Serre-fils homologués UL



Ruban aluminisé



Réducteur de tension pour la boîte de jonction



Conduit métallique rond de 6 po, longueur conforme aux besoins de l'installation



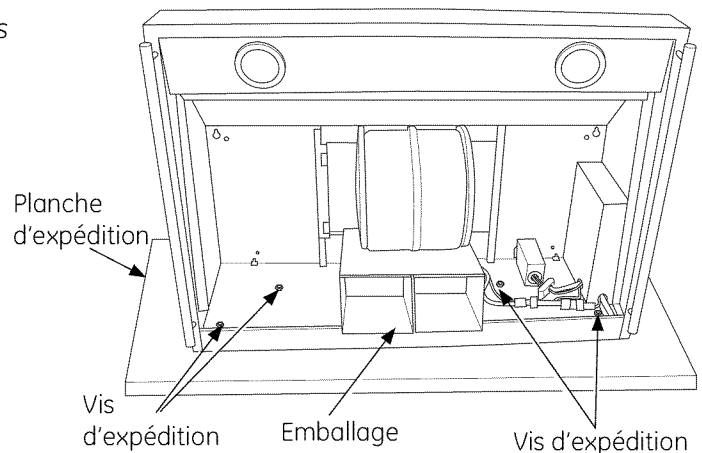
Circuit électrique correctement branché à la terre avec fil électrique 120V 60Hz. 15- ou 20-AMP, à 2 brins et une terre

Préparation pour l'installation

RETRAIT DE L'EMBALLAGE

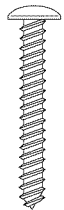
⚠ MISE EN GARDE : Portez des gants pour vous protéger les mains des bords coupants. La hotte aspirante est fixée sur une plaque à l'aide de 4 vis pour l'expédition.

- Retirez le cache conduit, la boîte de pièces et la mousse de polystyrène utilisée pour l'emballage.
- Sortez la hotte de la boîte.
- Retirez et jetez d'une façon appropriée l'emballage en plastique.
- Retirez les filtres à graisse métalliques et les protections latérales.
- Pour enlever la planche d'expédition, repérez et enlevez les 4 vis à l'intérieur de la hotte, du côté gauche et du côté droit. Jetez la planche d'expédition.



VÉRIFICATION DU MATÉRIEL D'INSTALLATION

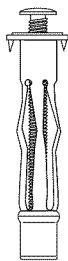
Localisez le paquet contenant le matériel d'installation emballé avec la hotte et vérifiez le contenu.



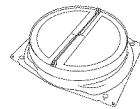
10 wall/cabinet screws



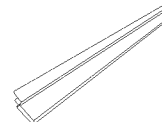
4 vis pour registre (fournies avec le registre)



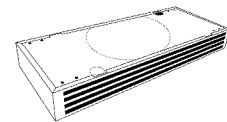
2 chevilles murales



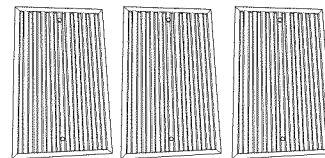
Registre



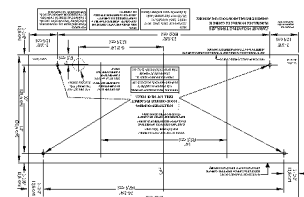
Gouttière



Entretoise



3 filtres à graisses



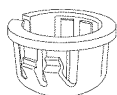
Gabarit d'installation sous les armoires 31-10571



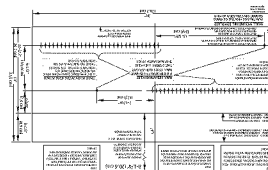
6 vis pour entretoise



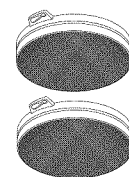
10 rondelles plates



1 passe-fils en plastique



Gabarit d'installation murale 31-10570



2 filtres à charbon

NOTE : Des outils, des matériaux et du matériel supplémentaires sont nécessaires pour construire le support mural.

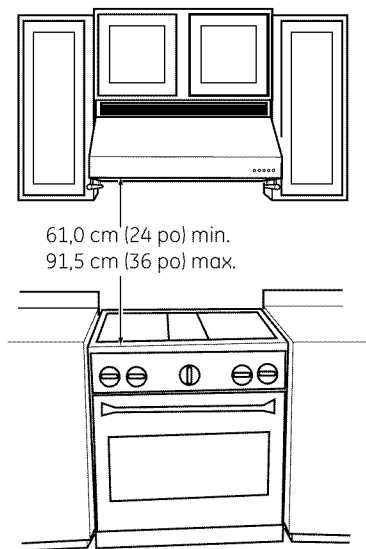
Préparation pour l'installation

DÉTERMINATION DE LA HAUTEUR D'INSTALLATION

Cette hotte peut être installée en vue d'une évacuation de l'air vers l'extérieur ou du recyclage de l'air à l'intérieur. Toutes les pièces nécessaires sont expédiées avec la hotte pour le recyclage de l'air.

NOTE : La hauteur d'installation doit être mesurée à partir de la surface de cuisson jusqu'au dessous de la hotte.

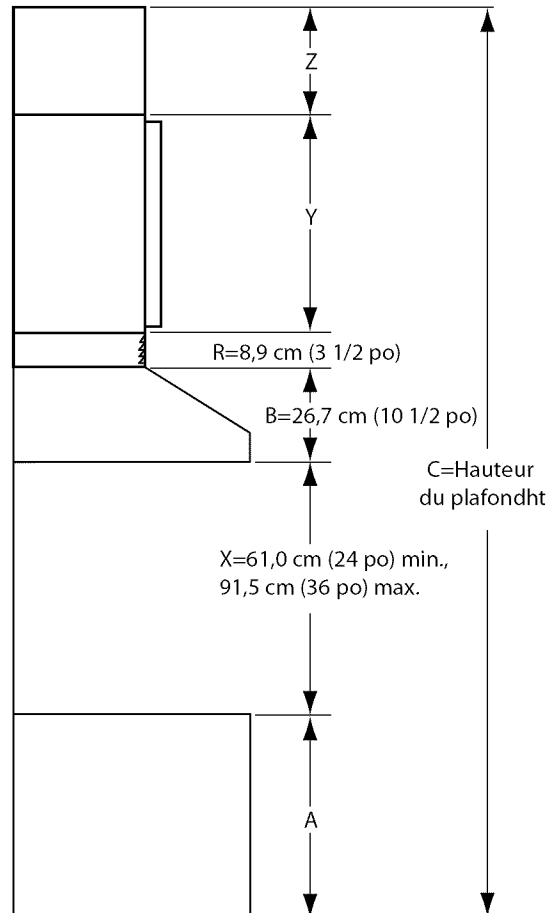
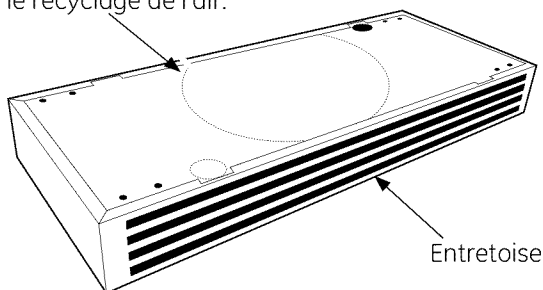
La hotte doit être installée à au moins 61,0 cm (24 po) et au plus 91,5 cm (36 po) au-dessus de la surface de cuisson.



Recyclage de l'air

Vous devez utiliser l'entretoise, la grille orientée vers l'avant, pour une installation en vue de recycler l'air. La hauteur de la hotte avec l'entretoise est de 35,6 cm (14 po). N'enlevez pas l'ouverture défonçable pour le conduit sur le dessus de l'entretoise.

NE PAS enlever l'ouverture défonçable pour le conduit pour le recyclage de l'air.



Pour déterminer la distance entre le dessous de la hotte et la surface de cuisson (min. de 61,0 cm/24 po, max. de 91,5 cm/36 po), utilisez la formule suivante pour la calculer (X) :

$$X = C - (A + B + R + Y + Z), \text{ où}$$

A = Hauteur de la surface de cuisson par rapport au plancher

B = Hauteur de la hotte sans l'entretoise

C = Hauteur du plafond

R = Hauteur de l'entretoise (obligatoire pour le recyclage de l'air, facultative pour l'évacuation vers l'extérieur)

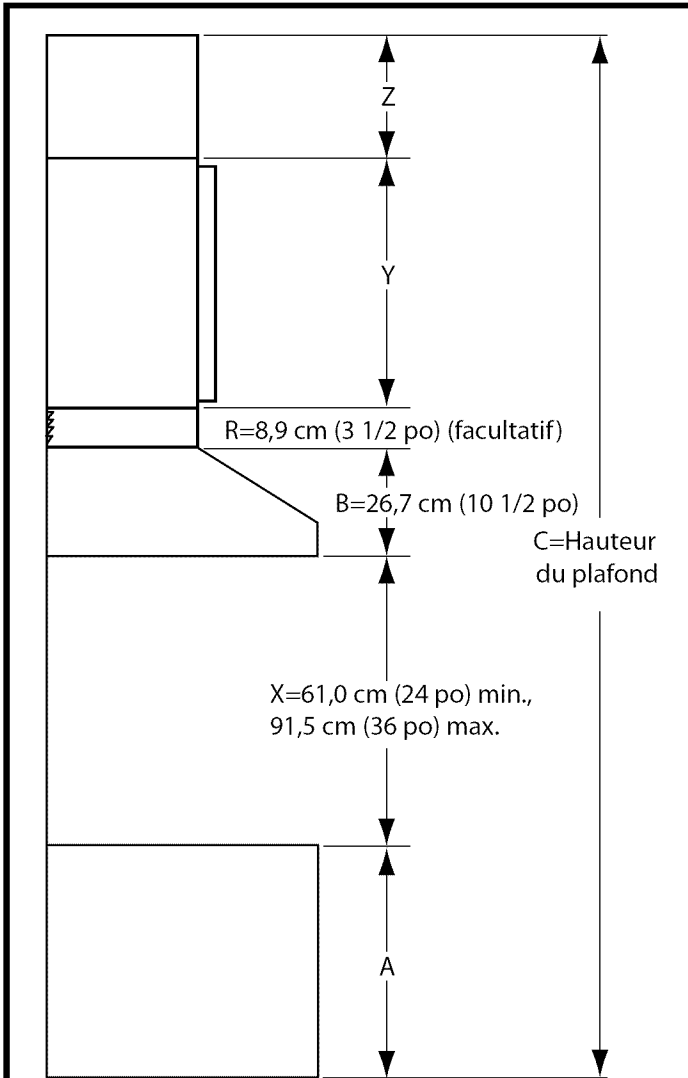
Y = Hauteur des armoires

Z = Soffite/jeu entre les armoires et le plafond (peut être de «0»)

Exemple : $X = 243,8 \text{ cm} - (91,5 \text{ cm} + 26,7 \text{ cm} + 8,9 \text{ cm} + 38,1 \text{ cm} + 15,2 \text{ cm})$ [$X = 96 \text{ po} - (36 \text{ po} + 10 \frac{1}{2} \text{ po} + 3 \frac{1}{2} \text{ po} + 15 \text{ po} + 6 \text{ po})$]

$$X = 63,4 \text{ cm (25 po)}$$

Préparation pour l'installation



Évacuation de l'air à l'extérieur

Pour une évacuation de l'air à l'extérieur, l'installation peut être effectuée avec ou sans l'entretoise. Vous devez tenir compte de la hauteur de l'entretoise de 8,9 cm (3 1/2 po) lors du calcul de la hauteur d'installation de la hotte.

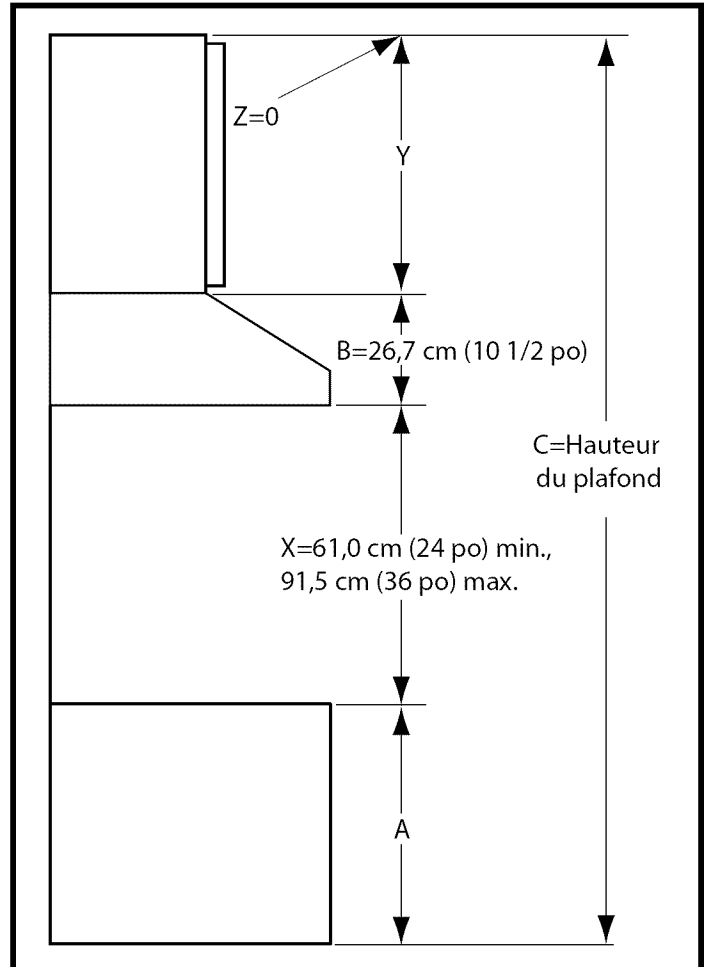
Pour déterminer la hauteur d'installation de la hotte avec l'entretoise :

$$X = C - (A + B + R + Y + Z)$$

Exemple : $X = 243,8 \text{ cm} - (91,5 \text{ cm} + 26,7 \text{ cm} + 8,9 \text{ cm} + 38,1 \text{ cm} + 15,2 \text{ cm})$

$(X = 96 \text{ po} - (36 \text{ po} + 10 \frac{1}{2} \text{ po} + 3 \frac{1}{2} \text{ po} + 15 \text{ po} + 6 \text{ po}))$

$X = 63,4 \text{ cm} (25 \text{ po})$



Pour calculer la hauteur d'installation de la hotte sans l'entretoise :

$$X = C - (A + B + Y + Z)$$

Exemple : $X = 243,8 \text{ cm} - (91,5 \text{ cm} + 26,7 \text{ cm} + 61,0 \text{ cm} + 0 \text{ cm})$

$(X = 96 \text{ po} - (36 \text{ po} + 10 \frac{1}{2} \text{ po} + 24 \text{ po} + 0 \text{ po}))$

$X = 64,6 \text{ cm} (25 \frac{1}{2} \text{ po})$

NOTE : La hauteur d'installation doit être mesurée à partir de la surface de cuisson jusqu'au dessous de la hotte. La hotte doit être installée à au moins 61,0 cm (24 po) et à au plus 91,5 cm (36 po) au-dessus de la surface de cuisson. La hauteur d'installation de la hotte, entre la surface de cuisson et le dessous de la hotte, dépend de la hauteur du plafond et d'autres facteurs dont il faut tenir compte.

Instructions d'installation

INSTALLATION – ÉVACUATION DE L'AIR À L'EXTÉRIEUR

1 EMPLACEMENT DES CONDUITS ET DU CÂBLAGE

Déterminez l'emplacement exact de la hotte aspirante.

- Identifiez le gabarit fourni avec la notice.
 - Mesurez 36 po du sol jusqu'au dessus de la surface de cuisson. Ajoutez la hauteur d'installation de la hotte, telle que déterminée à la page précédente. Marquez cet emplacement.
 - Utilisez un niveau pour tracer une ligne droite horizontale au crayon sur le mur.
 - Fixez le gabarit à l'aide de ruban adhésif le long de la ligne au crayon. VÉRIFIEZ QUE LE GABARIT EST DE NIVEAU.

Conduit du plafond/des armoires :

16,8 cm (6 5/8 po)

Ligne médiane à 21,0 cm (8 ¼ po) min. au-dessus du châssis de la hotte

Si le conduit entre directement dans le

Trou de 21,6 cm (8 ½ po) pour le conduit

plafond ou les armoires :

- Utilisez un niveau pour tracer une ligne droite verticale, à partir de la ligne médiane du gabarit vers le plafond/les armoires.
- Mesurez une distance de 16,8 cm (6 5/8 po) entre le mur arrière et la ligne centrale d'un trou de 21,6 cm (8 1/2 po) au plafond/sur le dessus des armoires.

NOTE : S'il n'y a aucune cloison sèche, ajoutez l'épaisseur d'une cloison sèche à la dimension de 16,8 cm (6 5/8 po).

Conduit mural :

Si le conduit passe par le mur arrière :

- Utilisez un niveau pour tracer une ligne droite à partir de la ligne centrale du gabarit.
- Mesurez une distance d'au moins 20,9 cm (8 1/4 po) au-dessus de l'emplacement de la surface supérieure du châssis de la hotte par rapport à la ligne centrale de l'orifice du conduit de 21,6 cm (8 1/2 po) de diamètre. (Le trou peut être allongé pour un coude.)

1 EMPLACEMENT DU CONDUIT ET DU CÂBLAGE (suite)

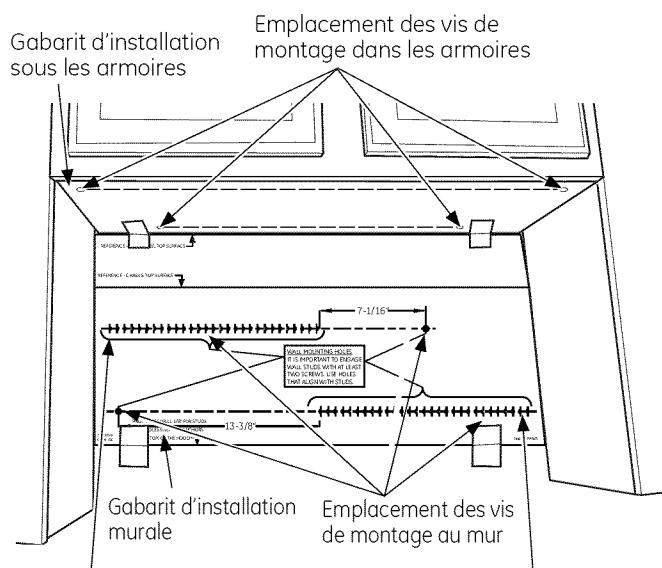
Emplacement du câblage de la résidence :

- La boîte de jonction est située à l'intérieur de la hotte, du côté supérieur droit.
- Le câblage peut entrer dans les armoires par le plafond ou par le mur arrière.
- Prévoyez une longueur de câblage supplémentaire pour atteindre la boîte de jonction.

2 PRÉPARATION DES ARMOIRES ET DU PLAFOND OU DU MUR

IMPORTANT — La hotte doit être fixée aux armoires et à au moins deux montants verticaux du mur et à la cloison sèche à l'aide de dispositifs d'ancrage. Les armoires doivent être en mesure de soutenir un poids de 45,4 kg (100 lb).

- Après avoir collé le gabarit en place, utilisez un poinçon pour marquer l'emplacement de toutes les vis de montage. Marquez l'emplacement des trous pour le conduit, les vis et les raccords électriques, selon votre application.
- Percez un trou d'au moins 1,9 cm (3/4 po) pour le câble électrique dans le fond des armoires.
- Percez des trous pilotes de 3,1 mm (1/8 po) aux quatre endroits marqués dans le dessous des armoires.



NOTE : Il est important qu'au moins deux vis pénètrent dans les montants verticaux du mur. Utilisez les trous qui se trouvent vis-à-vis des montants verticaux du mur.

Instructions d'installation

INSTALLATION – ÉVACUATION DE L'AIR À L'EXTÉRIEUR

2 PRÉPARATION DES ARMOIRES ET DU PLAFOND OU DU MUR (suite)

- Percez des trous pilotes de 3,1 mm (1/8 po) aux quatre endroits marqués sur le mur.
- Enlevez le gabarit.
- Agrandissez à 7,9 mm (5/16 po) les trous qui n'ont pas pénétré dans des montants muraux du mur. Vissez des dispositifs d'ancrage pour les fixations murales dans les trous.

POUR UN CONDUIT PASSANT PAR LE MUR ARRIÈRE

Déterminez la ligne médiane des armoires.

Si la hotte est installée avec l'entretoise :

- Percez un trou de 35,6 cm (14 po) de diamètre dans le fond des armoires.
- Percez un trou de 21,6 cm (8 1/2 po) de diamètre dans la paroi arrière des armoires. Il faudra peut-être ajouter une section de conduit entre la sortie d'évacuation de la hotte et le coude.

Si la hotte est installée sans l'entretoise :

- Percez un trou de 25,4 cm (10 po) de diamètre dans le fond des armoires.
- Percez un trou de 21,6 cm (8 1/2 po) de diamètre dans la paroi arrière des armoires. Il faudra peut-être ajouter une section de conduit entre la sortie d'évacuation de la hotte et le coude, selon l'emplacement prévu pour la sortie dans le mur arrière.
- Selon la hauteur des armoires, il est possible qu'il soit nécessaire de raccourcir la hauteur du coude de 20,3 cm (8 po).

POUR UN CONDUIT PASSANT PAR LE PLAFOND

Si la hotte est installée avec l'entretoise :

- Percez un trou de 35,6 cm (14 po) de diamètre dans le fond des armoires.
- Percez un trou de 21,6 cm (8 1/2 po) de diamètre dans le dessus des armoires et dans le plafond à 16,8 cm (6 5/8 po) du mur.

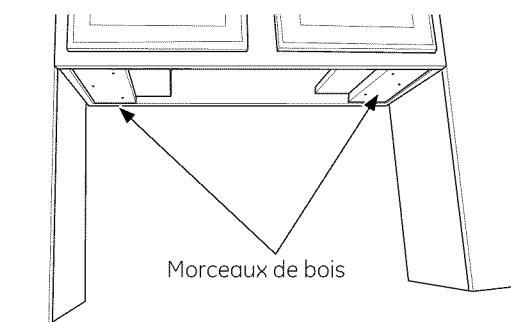
Si la hotte est installée sans l'entretoise :

- Percez un trou de 25,4 cm (10 po) de diamètre dans le fond des armoires à 16,8 cm (6 5/8 po) du mur.
- Percez un trou de 21,6 cm (8 1/2 po) de diamètre dans le dessus des armoires à 16,8 cm (6 5/8 po) du mur, et un trou dans le plafond à 16,8 cm (6 5/8 po) du mur.

NOTE : Tous les conduits exposés doivent être dissimulés en utilisant la méthode que vous préférez.

3 INSTALLATION DE LA HOTTE SOUS LES ARMOIRES

L'installation de la hotte sous les armoires dépend de vos armoires. Dans le cas d'armoires dont le fond n'est pas affleurant, il faut utiliser deux (2) morceaux de bois massif de 10,2 cm (4 po) de largeur (la longueur et l'épaisseur dépendent de vos armoires) pour installation du côté gauche et du côté droit sous les armoires, comme indiqué dans l'illustration. Utilisez au besoin des cales pour que les morceaux de bois soient à égalité avec le bas des armoires.

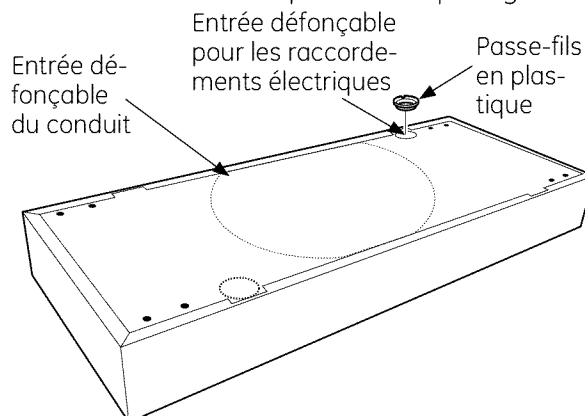


NOTE : Lorsque vous fixez les morceaux de bois aux armoires, assurez-vous d'installer les vis aux endroits indiqués sur le gabarit pour les vis de montage de la hotte. Les morceaux de bois doivent arriver à égalité avec le rebord des armoires ou légèrement en retrait. Assurez-vous que le fond des armoires est bien de niveau.

Dans le cas d'armoires dont le fond est affleurant, aucune mesure spéciale n'est requise.

Installation de la hotte avec l'entretoise :

- Enlevez les entrées défonçables sur l'entretoise pour le conduit et les raccordements électriques, comme indiqué dans l'illustration.
- Installez un passe-fils en plastique (que vous trouverez dans le sac de pièces) dans le trou pour les raccordements électriques afin de protéger les fils.



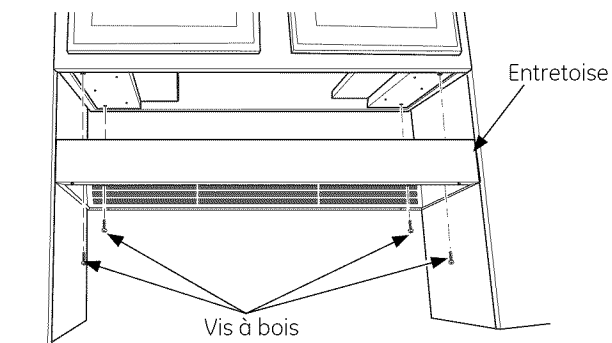
Instructions d'installation

INSTALLATION – ÉVACUATION DE L'AIR À L'EXTÉRIEUR

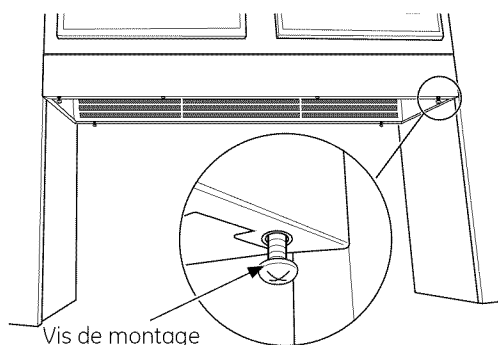
3 INSTALLATION DE LA HOTTE SOUS LES ARMOIRES (suite)

- Pour fixer l'entretoise aux armoires, placez l'entretoise (la grille orientée vers le mur) sous les armoires. Placez les trous de l'entretoise vis-à-vis de ceux des armoires. Vissez 4 vis à bois (fournies) pour fixer l'entretoise aux armoires.

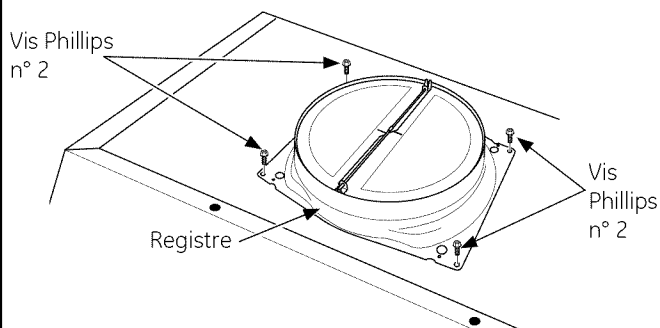
NOTE : Si vous le désirez, vous pouvez installer l'entretoise la grille orientée vers l'avant.



- Vissez les 4 vis de montage de la hotte dans les écrous filetés dans la base de l'entretoise, en les laissant dépasser de l'entretoise de 6,3 mm (1/4 po). Le jeu de 6,3 mm (1/4 po) permettra d'engager les vis dans les encoches en trou de serrure du dessus de la hotte.

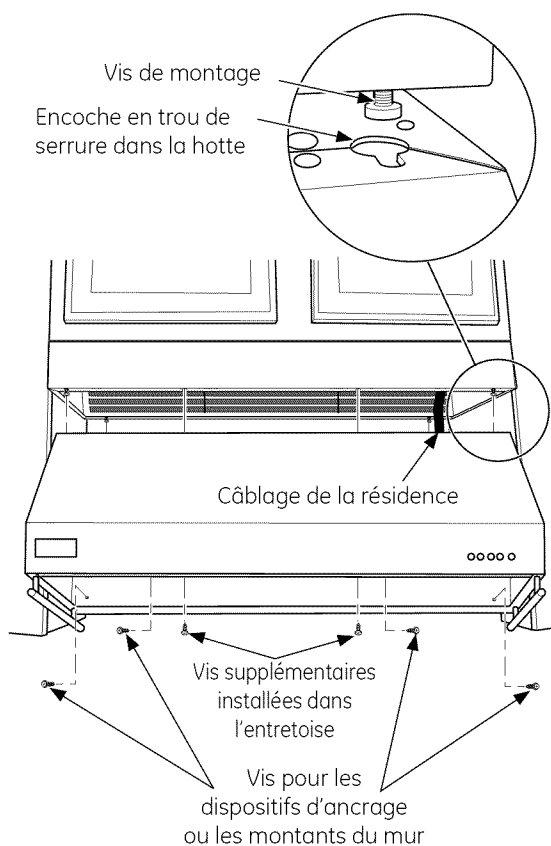


- Installez le registre sur le dessus de la hotte à l'aide des 4 vis Phillips fournies.



3 INSTALLATION DE LA HOTTE SOUS LES ARMOIRES (suite)

- Soulevez la hotte jusqu'à son emplacement pour l'installation. Repérez le câblage de la résidence et faites-le passer par le trou sur le dessus de la hotte. Soulevez la hotte et insérez les vis de montage dans les encoches en trou de serrure, puis poussez la hotte jusqu'au mur. Serrez les vis de montage. Installez 2 vis supplémentaires au centre, à l'avant de l'entretoise.
- Installez 4 vis dans les dispositifs d'ancrage ou des les montants verticaux du mur pour terminer l'installation de la hotte.



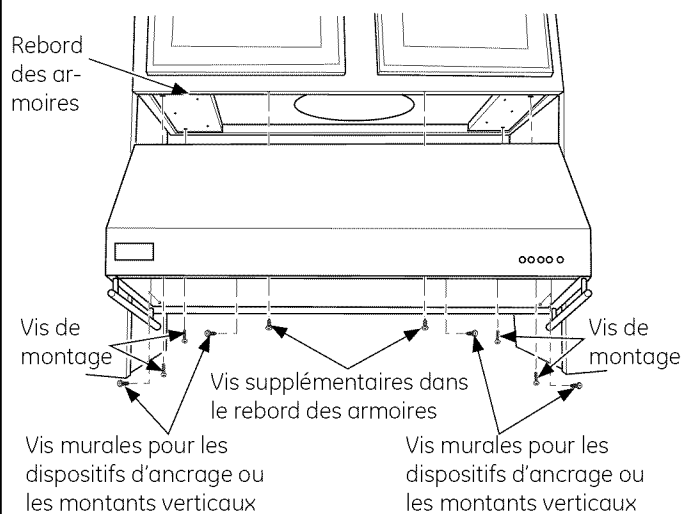
Instructions d'installation

INSTALLATION – ÉVACUATION DE L'AIR À L'EXTÉRIEUR

3 INSTALLATION DE LA HOTTE SOUS LES ARMOIRES (suite)

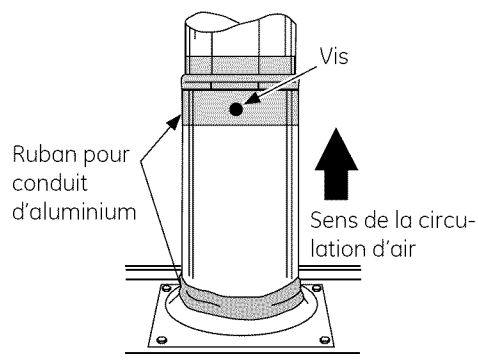
Installation de la hotte sans l'entretoise :

- Installez le registre sur le dessus de la hotte à l'aide des 4 vis Phillips fournies.
- Soulevez la hotte sous les armoires. Placez les trous de la hotte vis-à-vis de ceux des armoires. Fixez la hotte aux armoires à l'aide des 4 vis à bois fournies.
- Percez 2 trous pilotes de 3,1 mm (1/8 po) dans le rebord des armoires. Installez 2 vis à bois supplémentaires fournies. Assurez-vous de bien visser les vis dans le rebord avant.
- Installez 4 vis dans les dispositifs d'ancrage ou dans les montants du mur pour terminer l'installation de la hotte.



4 RACCORDEMENT DU CONDUIT

- Installez le conduit en faisant le raccordement dans le sens de la circulation d'air.
- Fixez les raccordements du conduit à l'aide de vis à métaux, en vous assurant de prévoir un dégagement suffisant pour permettre au registre de bouger librement.
- Recouvrez tous les joints du conduit à l'aide de ruban pour conduit en aluminium afin de créer un joint hermétique.
- Appliquez du ruban pour conduit d'aluminium sur le raccord au niveau du bord du conduit. Par l'intérieur de l'évent, appuyez sur le registre pour vérifier s'il bouge librement.



Instructions d'installation

INSTALLATION – ÉVACUATION DE L'AIR À L'EXTÉRIEUR

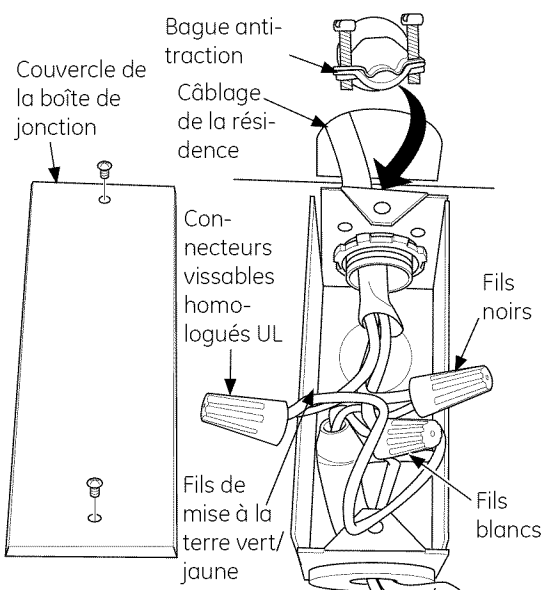
5 RACCORDEMENTS ÉLECTRIQUES

Assurez-vous que l'alimentation électrique a été coupée à la source.

⚠ AVERTISSEMENT : *Si le câblage de la résidence n'est pas du type à deux fils et à un fil de mise à la terre, l'installateur doit fournir un fil de mise à la terre. Lorsque le câblage de la résidence est en aluminium, il faut utiliser des connecteurs aluminium-cuivre et un composé antioxydant homologué par UL.*

- Enlevez le couvercle de la boîte de jonction.
- Fixez le câblage de la résidence à la boîte de jonction à l'aide d'une bague anti-traction (non fournie).
- Branchez le fil blanc au fil blanc du circuit.
- Branchez le fil noir au fil noir du circuit.
- Branchez le fil vert/jaune au fil vert du circuit ou au fil dénudé de mise à la terre.
- Installez sur chaque raccord un connecteur vissable. Vérifiez si les connexions des fils sont bien effectuées.
- Repoussez les fils dans la boîte de jonction et remettez en place le couvercle. Assurez-vous que les fils ne sont pas pincés.
- Fixez le couvercle de la boîte de jonction à l'aide des deux vis enlevées initialement

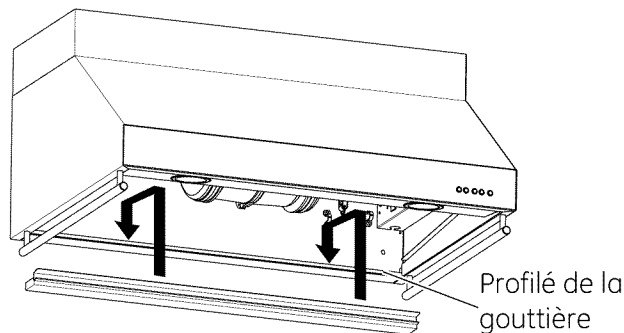
Placez le coupe-circuit situé sur le couvercle de la boîte de commande à ON (Marche). Vérifiez toutes les fonctions de la hotte pour vous assurer que les raccordements électriques ont été correctement effectués. Pour vérifier le fonctionnement de l'appareil, reportez-vous aux directives données dans le Guide d'utilisation.



6 INSTALLATION DES FILTRES À GRAISSES ET DE LA GOUTIÈRE

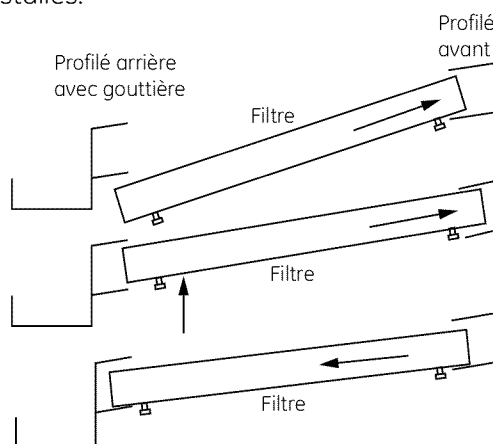
Installation de la gouttière

1. Soulevez la glissière de façon que les fentes et le profilé pour les filtres soient orientés vers l'avant.
2. Placez la gouttière vis-à-vis du profilé de la gouttière sur la hotte, et installez-la en place.



Installation des filtres à graisses avec déflecteurs

1. Enlevez la pellicule protectrice.
2. Saisissez les deux boutons du filtre pendant que vous insérez l'avant du filtre dans le profilé supérieur (avant). Poussez le filtre complètement dans le profilé.
3. Soulevez l'extrémité opposé du filtre, en le plaçant vis-à-vis du profilé arrière (inférieur).
4. Poussez le filtre dans le profilé arrière, jusqu'à ce qu'il soit bien placé dans le profilé.
5. Assurez-vous que les filtres sont correctement installés.



7 FINITION DE L'INSTALLATION

- Enlevez la pellicule protectrice sur la partie avant de la hotte.
- Assurez-vous que le ventilateur et les lampes fonctionnent correctement. Pour des directives de fonctionnement et un guide de dépannage, reportez-vous au Guide d'utilisation.

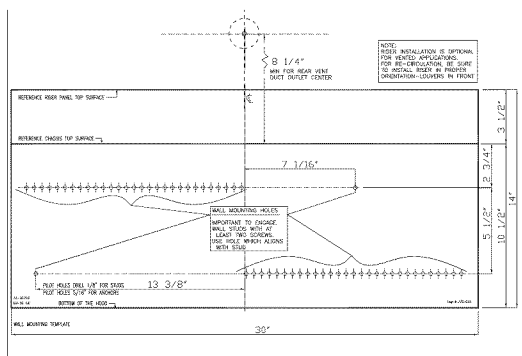
Instructions d'installation

INSTALLATION – RECYCLAGE DE L'AIR

1 EMPLACEMENT DU CÂBLAGE

Déterminez l'emplacement exact de la hotte.

- Repérez le gabarit fourni avec la documentation.
 - Mesurez 91,5 cm (36 po) entre le plancher et le dessus de la surface de cuisson. Ajoutez la hauteur d'installation de la hotte déterminée à la page 8. Marquez cet emplacement.
 - À l'aide d'un niveau, tracez une ligne droite verticale sur le mur à l'aide d'un crayon.
 - Collez le gabarit en place le long de la ligne tracée. Assurez-vous que le gabarit est bien de niveau.



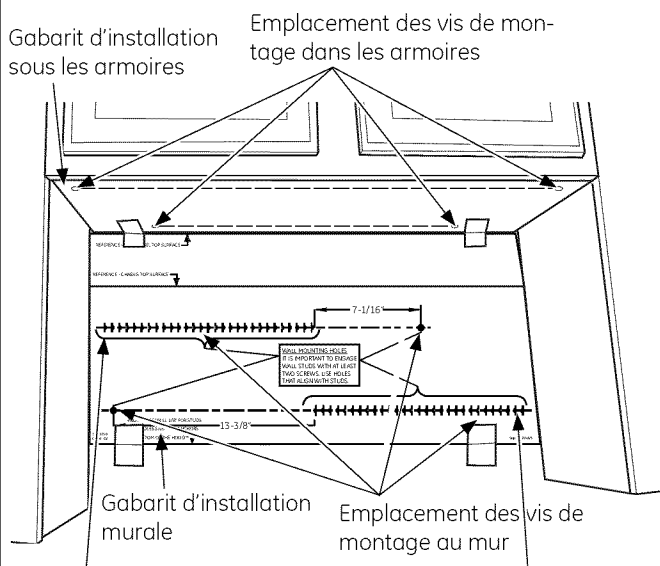
EMPLACEMENT DU CÂBLAGE DE LA RÉSIDENCE :

- La boîte de jonction se trouve du côté supérieur droit de la hotte.
- Le câblage peut entrer par les armoires, par le plafond ou par le mur arrière.
- Prévoyez une longueur de fil supplémentaire pour atteindre la boîte de jonction.

2 PRÉPARATION DU MUR ET DES ARMOIRES

IMPORTANT — La hotte doit être fixée aux armoires et à au moins deux montants verticaux du mur et à la cloison sèche à l'aide de dispositifs d'ancrage. Les armoires doivent être en mesure de soutenir un poids de 45,4 kg (100 lb).

- Après avoir collé le gabarit en place, utilisez un poinçon pour marquer l'emplacement de toutes les vis de montage. Marquez l'emplacement des trous pour le conduit, les vis et les raccordements électriques, selon votre application.
- Percez un trou d'au moins 1,9 cm (3/4 po) pour le câble électrique dans le fond des armoires.
- Percez des trous pilotes de 3,1 mm (1/8 po) aux quatre endroits marqués dans le dessous des armoires.
- Percez des trous pilotes de 3,1 mm (1/8 po) aux quatre endroits marqués sur le mur.
- Enlevez le gabarit.
- Agrandissez à 7,9 mm (5/16 po) les trous qui n'ont pas pénétré dans des montants verticaux du mur. Vissez des dispositifs d'ancrage pour les fixations murales dans les trous.



NOTE : Il est important qu'au moins deux vis pénètrent dans les montants verticaux du mur. Utilisez les trous qui se trouvent vis-à-vis des montants verticaux du mur.

Instructions d'installation

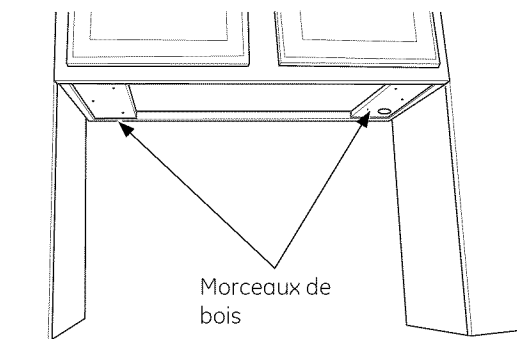
INSTALLATION – RECYCLAGE DE L'AIR

3 INSTALLATION DE LA HOTTE SOUS LES ARMOIRES

L'installation de l'entretoise sous les armoires dépend de vos armoires. Dans le cas d'armoires dont le fond n'est pas affleurant, il faut utiliser deux (2) morceaux de bois massif de 10,2 cm (4 po) de largeur (la longueur et l'épaisseur dépendent de vos armoires) pour installation du côté gauche et du côté droit sous les armoires, comme indiqué dans l'illustration. Utilisez au besoin des cales pour que les morceaux de bois soient à égalité avec le bas des armoires.

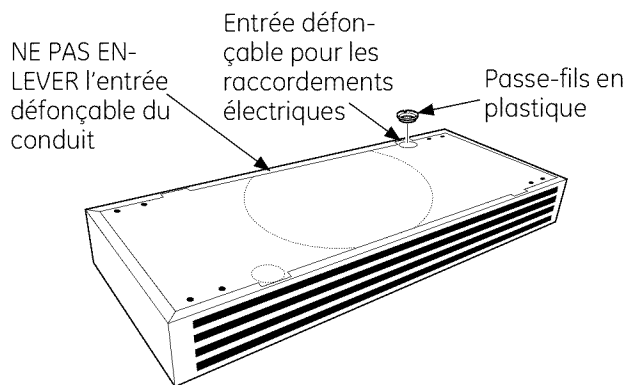
NOTE : Lorsque vous fixez les morceaux de bois aux armoires, assurez-vous d'installer les vis aux endroits indiqués sur le gabarit pour les vis de montage de la hotte. Les morceaux de bois doivent arriver à égalité avec le rebord des armoires ou légèrement au-dessous. Assurez-vous que le fond des armoires est bien de niveau.

Dans le cas d'armoires dont le fond est affleurant, aucune mesure spéciale n'est requise.



Installation de la hotte et de l'entretoise :

- Enlevez l'entrée défonçable pour les raccordements électriques, comme indiqué dans l'illustration.
- Installez un passe-fils en plastique (que vous trouverez dans le sac de pièces) dans le trou pour les raccordements électriques afin de protéger les fils.

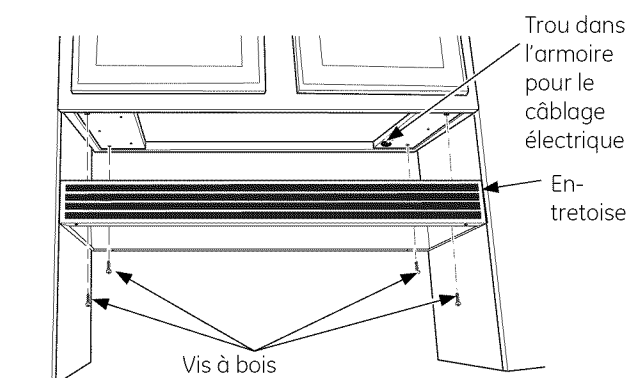


3 INSTALLATION DE LA HOTTE SOUS LES ARMOIRES (suite)

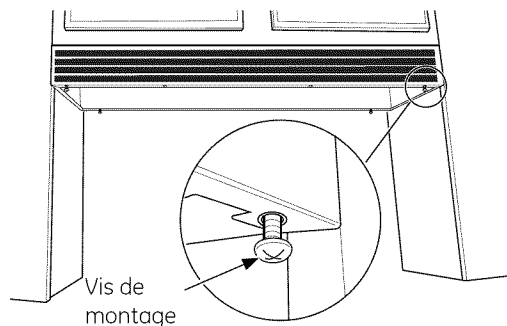
IMPORTANT: N'enlevez PAS la grande entrée défonçable pour une installation pour le RECYCLAGE DE L'AIR. La grille doit être orientée vers l'avant.

Pour fixer l'entretoise aux armoires :

- Placez l'entretoise (la grille orientée vers l'avant) sous les armoires. Placez les trous de l'entretoise vis-à-vis de ceux des armoires. Vissez 4 vis à bois (fournies) pour fixer l'entretoise aux armoires.



- Vissez les 4 vis de montage de la hotte dans les écrous filetés dans la base de l'entretoise, en les laissant dépasser de l'entretoise de 6,3 mm (1/4 po). Le jeu de 6,3 mm (1/4 po) permettra d'engager les vis dans les encoches en trou de serrure du dessus de la hotte.

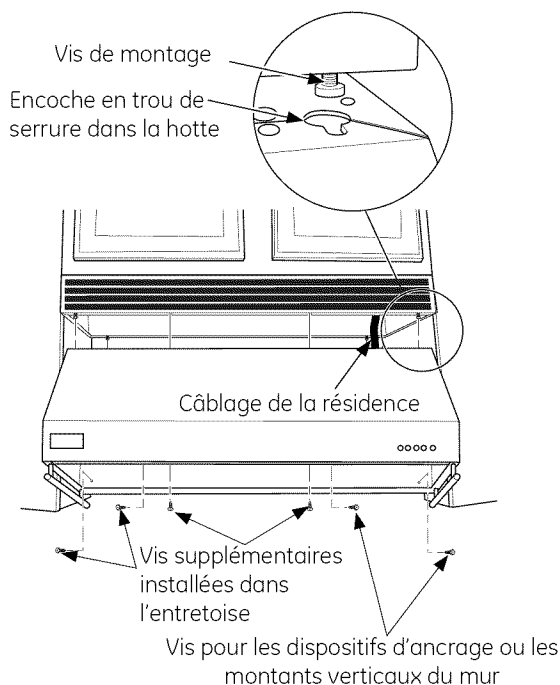


Instructions d'installation

INSTALLATION – RECYCLAGE

3 INSTALLATION DE LA HOTTE SOUS LES ARMOIRES (suite)

- Soulevez la hotte jusqu'à son emplacement pour l'installation. Repérez le câblage de la résidence et faites-le passer par l'entrée défonçable du côté droit sur le dessus de la hotte. Soulevez la hotte et insérez les vis de montage dans les encoches en trou de serrure, puis poussez la hotte jusqu'au mur. Serrez les vis de montage. Installez 2 vis supplémentaires au centre, à l'avant de l'entretoise.
- Installez 4 vis dans les dispositifs d'ancrage ou dans les montants verticaux du mur pour terminer l'installation de la hotte.



4 BRANCHEMENT ÉLECTRIQUE

Vérifiez que l'alimentation électrique est coupée à la source.

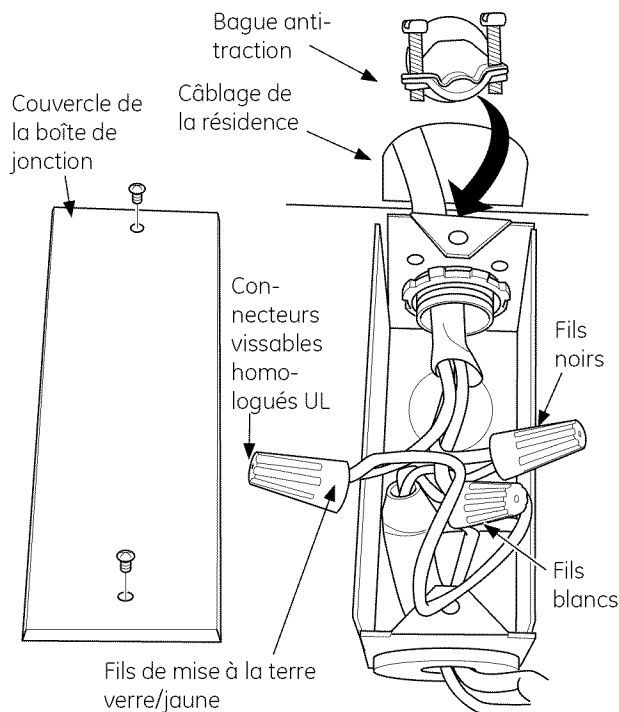
⚠ AVERTISSEMENT : Si le circuit de la maison n'est pas équipé de 2 brins et d'un fil de terre, l'installateur doit poser un fil de terre. Si les fils sont en aluminium, prenez soin d'utiliser des connecteurs conçus pour le raccordement du cuivre à l'aluminium avec une pâte antioxydante approuvée par l'UL.

- Enlevez le couvercle de la boîte de jonction.
- Fixez le câblage de la résidence à la boîte de jonction à l'aide d'une bague anti-traction (non fournie).

4 BRANCHEMENT ÉLECTRIQUE (suite)

- Connectez le câble blanc au câble blanc du circuit de dérivation.
- Connectez le câble noir au câble noir du circuit de dérivation.
- Connectez le câble vert/jaune au câble vert ou au câble dénudé de terre du circuit de dérivation.
- Fixez toutes les connexions à l'aide de serre-fils sur chaque connecteur électrique.
- Poussez doucement les fils dans la boîte de jonction et remettez le couvercle. Veillez à ne pas pincer les fils.
- Fixez le couvercle de la boîte de jonction avec les 2 vis d'origine.

Placez le coupe-circuit situé sur le capot de la boîte de commande à ON (Marche). Vérifiez toutes les fonctions de la hotte pour vous assurer que les raccordements électriques ont été correctement effectués. Pour vérifier les fonctions de la hotte, reportez-vous aux directives données dans le Guide d'utilisation.



Instructions d'installation

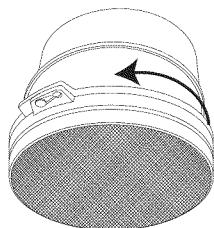
INSTALLATION – RECYCLAGE

5 INSTALLATION DES FILTRES À CHARBON

Il faut installer les filtres à charbon dans le cas d'une installation pour le recyclage de l'air.

Pour les installer :

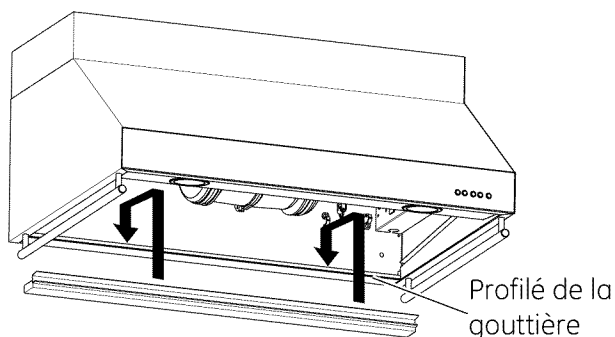
1. Placez le filtre à charbon vis-à-vis de l'encoche du capot en plastique du ventilateur.
2. Tournez le filtre dans le sens antihoraire pour l'installer en place. Assurez-vous que les deux languettes sont bien engagées et que le filtre est solidement en place.



6 INSTALLATION DES FILTRES À GRAISSES ET DE LA GOUTTIÈRE

Installation de la gouttière

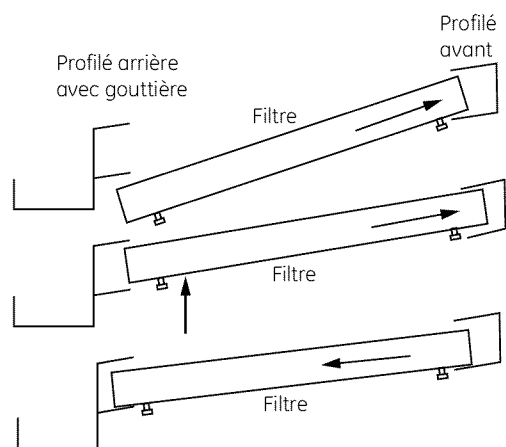
1. Soulevez la glissière de façon que les fentes et le profilé pour les filtres soient orientés vers l'avant.
2. Placez la gouttière vis-à-vis du profilé de la gouttière sur la hotte, et installez-la en



6 INSTALLATION DES FILTRES À GRAISSES ET DE LA GOUTTIÈRE (suite)

Installation des filtres à graisses avec déflecteurs

1. Enlevez la pellicule protectrice.
2. Saisissez les deux boutons du filtre pendant que vous insérez l'avant du filtre dans le profilé supérieur (avant). Poussez le filtre complètement dans le profilé.
3. Soulevez l'extrémité opposé du filtre, en le plaçant vis-à-vis du profilé arrière (inférieur).
4. Poussez le filtre dans le profilé arrière, jusqu'à ce qu'il soit bien placé dans le profilé.
5. Assurez-vous que les filtres sont correctement installés.



7 FINITION DE L'INSTALLATION

- Enlevez la pellicule protectrice sur la partie avant de la hotte.
- Be sure fan and lights operate correctly. Refer to the Owner's Manual for operating instructions and Problem Solver.

NOTE : Il est recommandé de porter des lunettes de sécurité ou des lunettes étanches lors de l'installation de cet appareil.

Pour les services locaux Monogram® dans votre secteur, appelez le 1.800.444.1845.

NOTE : Au sein de General Electrics, nous nous efforçons toujours d'améliorer nos produits. Ainsi, les matériaux, l'aspect et les spécifications peuvent être modifiés sans préavis.

31-10749

04-10 GE
Imprimé en Italie



GE Consumer & Industrial
Appliances
General Electric Company
Louisville, KY 40225
GEAppliances.com

LEA Y GUARDE ESTAS INSTRUCCIONES

ANTES DE COMENZAR

Lea estas instrucciones por completo y con detenimiento.

- **IMPORTANTE** — Guarde estas instrucciones para el uso de inspectores locales.
- **IMPORTANTE** — Cumpla con todos los códigos y ordenanzas vigentes.
- **Nota al instalador** — Asegúrese de dejar estas instrucciones con el Consumidor.
- **Nota al consumidor** — Mantenga estas instrucciones con el Manual del Propietario para referencia futura.
- **Nivel de capacidad** — La instalación de este aparato requiere capacidades mecánicas y eléctricas básicas.
- **Tiempo de finalización** — de 1 a 3 horas.
- El instalador tiene la responsabilidad de efectuar una instalación adecuada. La garantía no cubre las fallas del producto debido a una instalación incorrecta.

Para servicio técnico local Monogram en su área, llame al 1.800.444.1845.

Para servicio técnico Monogram en Canadá, llame al 1.800.561.3344.

Para piezas y accesorios Monogram, llame al 1.800.626.2002.

⚠ PRECAUCIÓN: Debido al peso y tamaño de estas campanas de ventilación y para reducir el riesgo de lesiones personales o daños al producto. **SE NECESITAN DOS PERSONAS PARA REALIZAR UNA INSTALACIÓN CORRECTA.**

⚠ ADVERTENCIA:

Para reducir el riesgo de incendio o descarga eléctrica, no utilice esta campana para estufa con ningún dispositivo de control de velocidad externo de estado sólido. Cualquier clase de modificación del cableado original de fábrica podría provocar daños a la unidad y/o crear un peligro de seguridad eléctrico.

PARA REDUCIR EL RIESGO DE INCENDIO, SÓLO UTILICE CONDUCTOS DE METAL.

⚠ ADVERTENCIA: PARA REDUCIR EL RIESGO DE INCENDIO, DESCARGA ELÉCTRICA O LESIONES A PERSONAS, CUMPLA CON LOS SIGUIENTES PUNTOS:

- A. Utilice esta unidad sólo de la manera concebida por el fabricante. Si tiene alguna pregunta, comuníquese con el fabricante.

- B. Antes de realizar reparaciones o limpiar la unidad, desconecte la energía del panel de servicio y bloquee los medios de desconexión para evitar el accionamiento de la energía de manera accidental. Cuando los medios de desconexión de servicio no pueden bloquearse, coloque sobre el panel de servicio un dispositivo de advertencia bien visible, como una etiqueta.

⚠ PRECAUCIÓN: SÓLO PARA USO DE VENTILACIÓN GENERAL. NO LO UTILICE PARA VENTILAR MATERIALES PELIGROSOS NI MATERIALES O VAPORES EXPLOSIVOS.

⚠ ADVERTENCIA: PARA REDUCIR EL RIESGO DE INCENDIO, DESCARGA ELÉCTRICA O LESIONES A PERSONAS, CUMPLA CON LOS SIGUIENTES PUNTOS:

- El trabajo de instalación y el cableado eléctrico deben realizarlo personas calificadas en cumplimiento con todos los códigos y normas aplicables, incluyendo construcción con clasificación para incendios.
- Se necesita suficiente aire para una combustión y escape de gases adecuados a través de la ventilación (chimenea) de equipamiento de combustión de combustible para evitar la contracorriente. Siga las pautas y normas de seguridad de fabricante del equipamiento de calefacción, tales como las publicadas por la Asociación Nacional de Protección contra Incendios (NFPA), la Sociedad Estadounidense de Ingenieros en Calefacción, Refrigeración y Aire Acondicionado (ASHRAE) y las autoridades de códigos locales.
- Cuando realice cortes o perforaciones dentro de paredes o cielorrasos, no dañe el cableado eléctrico ni otros servicios públicos ocultos.
- Los sistemas de conductos siempre deben contar con una salida al exterior.
- Los códigos locales pueden variar. La instalación de conexiones eléctricas y a tierra debe cumplir con los códigos aplicables. Si no existieran códigos locales, la ventilación deberá instalarse en cumplimiento con el Código Eléctrico Nacional ANSI/NFPA 70-1990 o la última edición.

⚠ PRECAUCIÓN: Para reducir el riesgo de incendio o para que el aire se ventile de manera adecuada, asegúrese de que el aire salga al exterior; no ventile aire de escape en espacios dentro de paredes o cielorrasos o dentro de áticos, huecos sanitarios o garajes.

Información de diseño

CONTENIDOS

Información de diseño	
Modelos disponibles.....	40
Dimensiones del producto.....	40
Planificación previa	
Planificación de conductos.....	41
Soporte adecuado.....	41
Preparación para la instalación	
Accesorios de los conductos.....	42
Suministro de energía.....	43
Herramientas y materiales requeridos.....	43
Quite el envoltorio.....	44
Controle las piezas de instalación.....	44
Establezca la altura de instalación.....	45
Instrucciones de instalación	
Instalación – Ventilación hacia el exterior.....	46–51
Paso 1, Conductos, ubicaciones del cableado.....	46
Paso 2, Preparación de pared o cielorraso y del gabinete.....	46

Paso 3, Montaje de la campana a la parte inferior del gabinete.....	48
Paso 4, Conexión de los conductos.....	50
Paso 5, Conexión de la electricidad.....	50
Paso 6, Instalación de los filtros de grasa con deflectores y bandeja colectora.....	51
Paso 7, Finalice la instalación.....	51
Instrucciones de instalación	
Instalación – Recirculación.....	52–55
Paso 1, Ubicaciones del cableado.....	52
Paso 2, Preparación de la pared y gabinete.....	52
Paso 3, Montaje de la campana a la parte inferior del gabinete.....	53
Paso 4, Conexión de la electricidad.....	54
Paso 5, Instalación del filtro de carbón.....	55
Paso 6, Instalación de los filtros de grasa con deflectores y bandeja colectora.....	55
Paso 7, Finalice la instalación.....	55

MODELO DISPONIBLES

Modelo ZV30HS

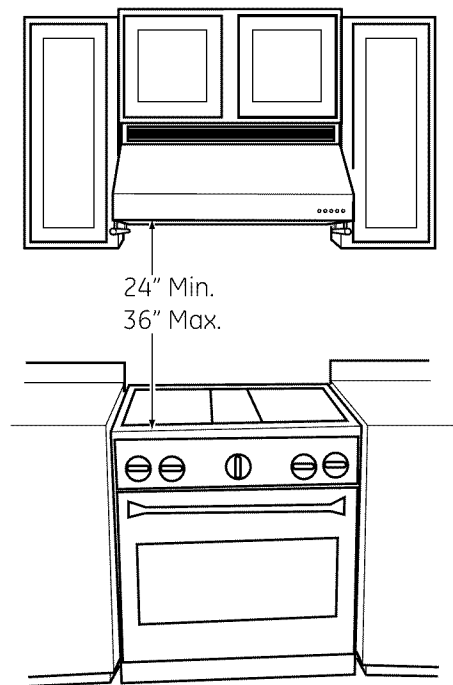
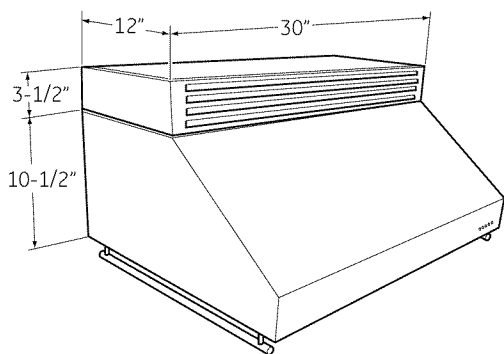
Esta campana puede instalarse con ventilación hacia el exterior, o puede instalarse para realizar una operación de recirculación. Todas las piezas necesarias para la operación de recirculación se incluyen con la campana. No se requieren kits adicionales.

Esta campana de ventilación puede instalarse sobre cualquier estufa eléctrica o a gas de 30", incluyendo las estufas o cocinas Monogram Professional menores a 36".

DIMENSIONES Y MARJENS DEL PRODUCTO

La campana de ventilación debe instalarse a un mín. de 24" y un máx. de 36" sobre la superficie de cocción.

NOTA: La altura de instalación debe medirse desde la superficie de cocción hasta la parte más baja de la campana. Los conductos que van desde la parte superior de la campana pueden ocultarse en el sofite y/o en el gabinete superior. No se proveen o requieren accesorios de cobertura de conductos.



Planificación previa

PLANIFICACIÓN DE CONDUCTOS PARA EL MODO VENTILADO

- Esta campana de ventilación se encuentra diseñada para instalarse debajo de un gabinete o debajo de un gabinete montado en un sofíto.
- Esta campana se encuentra diseñada para conductos redondos de 8". El conducto redondo de 8" puede conectarse a otros de 3-1/4" x 10" o 3-1/4" x 12".
- Planifique el recorrido para la salida de ventilación hacia el exterior teniendo en cuenta las transiciones que pueda requerir.
- Utilice conductos suministrados en forma local para ventilación horizontal a través de la pared trasera o vertical a través del cielorraso.
- Utilice el recorrido de conductos más corto y más recto posible. Para un desempeño satisfactorio, el recorrido de los conductos no debe superar una longitud equivalente a los 100 pies para ninguna configuración de conductos.
- Consulte la tabla "Accesorios de conductos" para calcular la longitud máxima permisible para recorridos de conductos hacia el exterior.
- Instale una cubierta de pared o casquete de techo con un regulador de tiro en la abertura exterior. Solicite por adelantado la cubierta de pared o el casquete de techo y cualquier transición y longitud de conducto necesarios en su tienda local de repuestos.
- Determine la ubicación exacta de la campana de ventilación.
- Los conductos de pared o de cielorraso deben proyectarse hacia afuera en por lo menos 1" en las conexiones de conductos.

⚠ ADVERTENCIA: PARA REDUCIR EL RIESGO DE INCENDIO, SÓLO UTILICE CONDUCTOS DE METAL RÍGIDOS.

- Para un mejor flujo de aire, use un conducto de metal rígido.

PLANIFICACIÓN DE CONDUCTOS PARA EL MODO DE RECIRCULACIÓN

Se incluyen todas las piezas para la instalación en el modo de recirculación.

MONTAJE PARA UN SOPORTE ADECUADO

- La campana debe fijarse a columnas verticales de la pared. Ver la sección Preparación de la pared o cielorraso y del gabinete para una instalación ventilada o de recirculación.
- Recomendamos enfáticamente que la campana de ventilación se encuentre en el lugar para ubicar con precisión los conductos y el servicio eléctrico.
- La instalación resultará más fácil si la campana de ventilación se instala antes que la estufa y el mostrador de encimera.

IMPORTANTE: *La campana de ventilación debe fijarse al gabinete y a por lo menos dos columnas de pared y pared de construcción en seco con fijaciones. El gabinete debe poder soportar 100 lbs.*

Preparación para la instalación

ACCESORIOS DE CONDUCTOS

Esta campana debe usar un conducto redondo de 8". Puede conectarse con un conducto de 3-1/4" x 10" o de 3-1/4" x 12".

Utilice esta tabla para calcular las longitudes máximas permitidas para recorridos de conductos hacia el exterior.

NOTA: ¡No supere las longitudes equivalentes máximas permitidas!


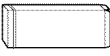

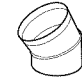
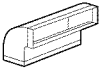
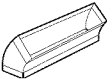
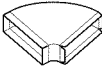


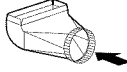
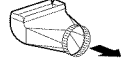
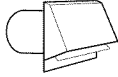
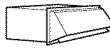

Longitud máxima de conducto: 100 pies para campanas de cocinas.

Conductos flexibles:

Si se utilizan conductos flexibles de metal, todos los valores equivalentes en pies de la tabla deben duplicarse. El conducto flexible de metal debe ser recto y liso y debe extenderse lo máximo posible.

NO USE conductos flexibles de plástico.

NOTA: Cualquier sistema de ventilación doméstico, como una campana de ventilación, puede interrumpir el flujo adecuado de aire de combustión y de escape requerido para chimeneas, hornos a gas, calentadores de agua a gas y otros sistemas de ventilación natural. Para minimizar las posibilidades de interrupción de tales sistemas de ventilación natural, siga las pautas y normas de seguridad del fabricante del equipamiento de calefacción, tales como las publicadas por NFPA y ASHRAE.

Pieza de conducto	Dimensiones	Longitud equivalente*	Cantidad utilizada	Longitud equivalente total
	Redonda, recta	1 pie (por longitud de pie)		
	3-1/4" x 10" recta	1 pie (por longitud de pie)		
	Codo de 90°	12 pies		
	Codo de 45°	7 pies		
	3-1/4" x 10" 3-1/4" x 12" Codo de 90°	14 pies 10 pies		
	3-1/4" x 10" 3-1/4" x 12" Codo de 45°	8 pies 6 pies		
	3-1/4" x 10" 3-1/4" x 12" Codo plano de 90°	33 pies 24 pies		
	Conducto redondo de 8" a rectangular	2 pies		
	Rectangular a redondo de 8"	2 pies		
	3-1/4" x 10" 3-1/4" x 12" Conducto redondo de 8" a rectangular Codo de 90° de transición	4 pies 4 pies		
	3-1/4" x 10" 3-1/4" x 12" Rectangular a redondo de 8" Codo de 90° de transición	4 pies 4 pies		
	Cubierta de pared redonda con regulador de tiro	24 pies		
	3-1/4" x 10" 3-1/4" x 12" Cubierta de pared rectangular con regulador de tiro	24 pies 18 pies		
	Casquete de techo redondo	33 pies		

*Longitud real del conducto recto más equivalente de accesorio de conducto. La longitud equivalente de las piezas de conductos se encuentra basada en pruebas reales realizadas por el grupo de Ingeniería de Evaluación de GE y reflejan los requisitos para un buen desempeño de ventilación con cualquier campana de ventilación.

Recorrido total de los conductos _____

Preparación para la instalación

SUMINISTRO DE ENERGÍA

IMPORTANTE - (Tenga a bien leer cuidadosamente)

⚠ ADVERTENCIA:

PARA SEGURIDAD PERSONAL, ESTE APARATO DEBE CONECTARSE A TIERRA DE MANERA ADECUADA.

Quite el fusible o abra el interruptor de circuitos antes de comenzar la instalación.

No utilice un cable de extensión o un enchufe adaptador con este artefacto. Siga el Código Eléctrico Nacional o los códigos y ordenanzas locales vigentes.

Suministro eléctrico

Esta campana de ventilación deben contar con un suministro de 120V, 60Hz, y debe estar conectada a un circuito derivado individual con una adecuada conexión a tierra y debe contar con la protección de un interruptor de circuito o un fusible con retraso de 15 o 20 amperios.

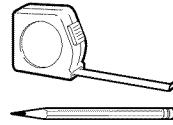
- El cableado debe ser de 2 hilos con conexión a tierra.
- Si el suministro eléctrico no cumple con los requisitos anteriores, llame a un electricista con licencia antes de continuar.
- Dirija el cableado doméstico lo más cercano a la instalación posible. El cableado puede ingresar desde el cielorraso o la pared trasera. Dirija la longitud adicional desde el cielorraso o la pared para alcanzar la caja de conexiones.
- Conecte el cableado al cableado doméstico en cumplimiento con los códigos locales.

Instrucciones de conexión a tierra

El conductor a tierra debe conectarse a un metal con conexión a tierra, un sistema de cableado permanente o una terminal o conductor de conexión a tierra en la campana.

⚠ ADVERTENCIA: Una conexión inadecuada del conductor de conexión a tierra del equipamiento puede provocar un riesgo de descarga eléctrica. Consulte a un electricista calificado o representante de servicio técnico si tiene dudas sobre la correcta conexión a tierra del aparato.

HERRAMIENTAS Y MATERIALES REQUERIDOS (NO SUMINISTRADOS)



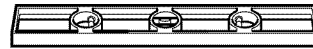
Lápiz y cinta métrica



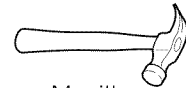
Gafas de seguridad



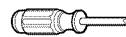
Guantes



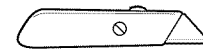
Nivel de burbuja de aire



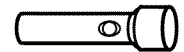
Martillo



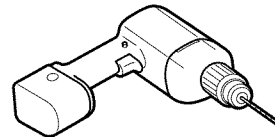
Destornillador de estrella



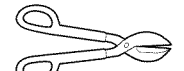
Cuchillo de uso general



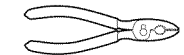
Linterna



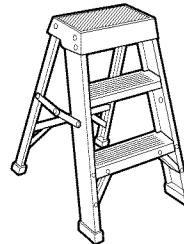
Perforadora eléctrica o atornilladora inalámbrica con broca de estrella #2, brocas de 1/8" y 5/16", brocas de perforadora de estrella #2 y para cortar orificios en madera



Tijeras para metal



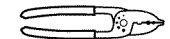
Alicates



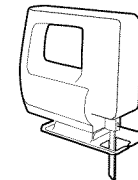
Escalera



Cinta adhesiva



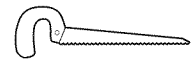
Alicate pelacables



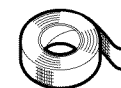
Sierra sable o serrucho de calar



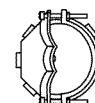
Tapones de alambre aprobados por UL



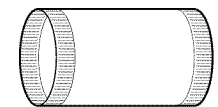
Cable de 120V, 60Hz, 15 o 20 amperios de 2 hilos con circuito derivado con conexión a tierra



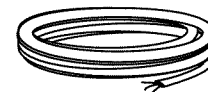
Cinta aislante de aluminio



Alivio de tensión para la caja de conexiones



Conducto de metal redondo de 6" longitud suficiente para la instalación

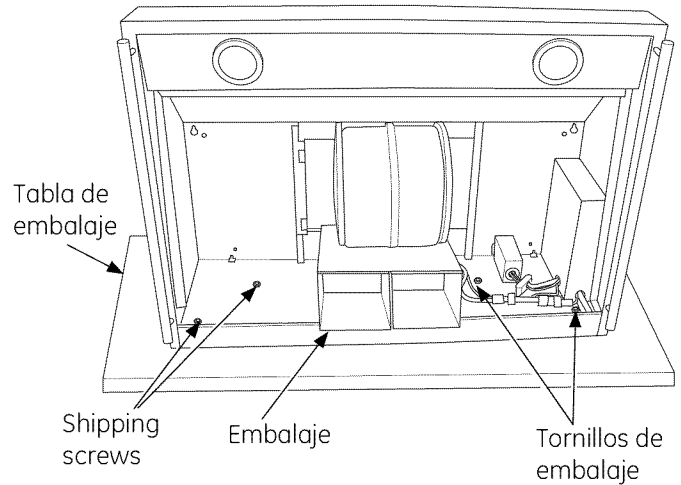


Preparación para la instalación

QUITE EL ENVOLTORIO

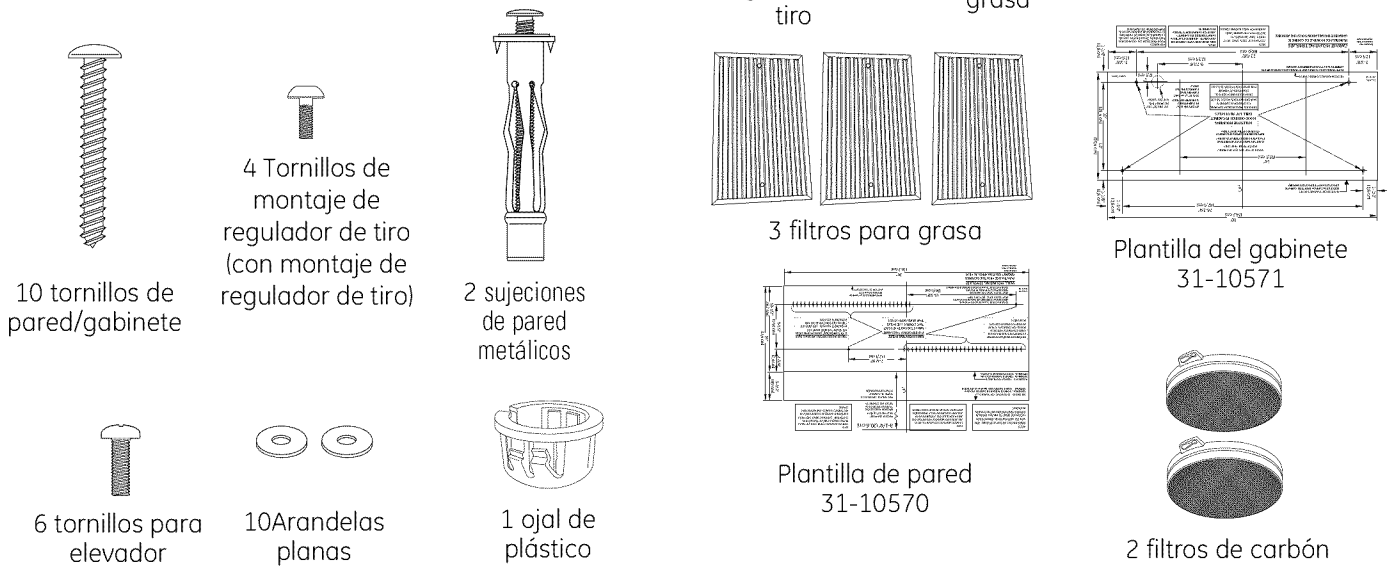
⚠ PRECAUCIÓN: Use guantes para protegerse de lados afilados. La campana de ventilación se envía sujeta a una tabla de embalaje con 4 tornillos.

- Quite la cubierta de conductos, la caja de piezas y el embalaje de poliestireno.
- Levante y quite la campana de la caja.
- Quite y deseche adecuadamente el envoltorio plástico.
- Quite los filtros de grasa metálicos y el envoltorio de la barra lateral.
- Para quitar la placa de embalaje, ubique y remueva los 4 tornillos ubicados dentro de la campana sobre los lados izquierdo y derecho. Descarte la tabla de embalaje.



CONTROLE LAS PIEZAS DE INSTALACIÓN

Ubique la caja de piezas embalada con la campana y verifique los contenidos.



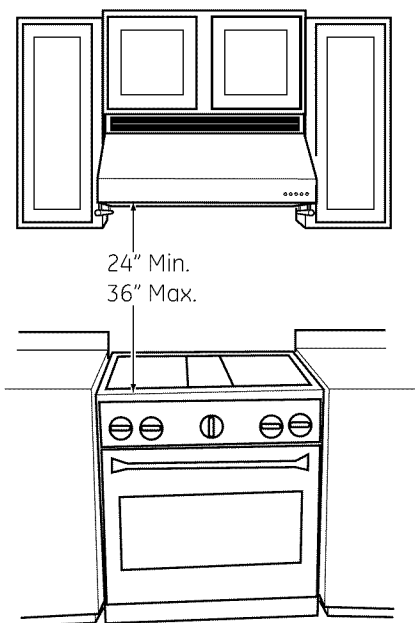
NOTA: Se necesitan herramientas, materiales y piezas de ferretería adicionales para construir el soporte de armazón de pared.

Preparación para la instalación

DETERMINE LA ALTURA DE INSTALACIÓN

Esta campana puede instalarse para una operación de ventilación o de recirculación. Todas las piezas necesarias se envían con la campana para el modo de recirculación.

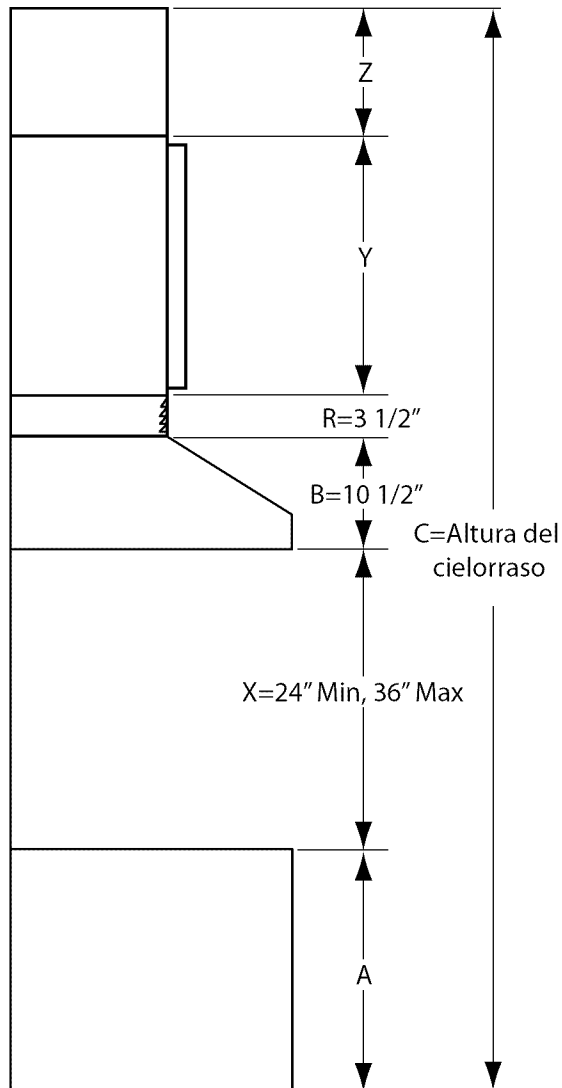
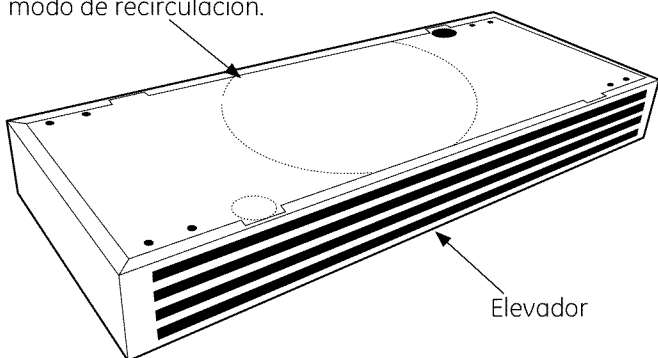
NOTA: La altura de instalación debe medirse desde la superficie de cocción hasta la parte inferior de la campana.



Modo de recirculación

Usted debe usar el elevador con las rejillas apuntando al lado frontal con el modo de recirculación. La altura de la campana con el elevador es de 14". **No quite el recorte de la abertura del conducto del elevador.**

NO quite el recorte de la abertura del conducto para el modo de recirculación.



Para determinar la distancia entre la parte inferior de la campana y la superficie de cocción (Mín 24", Máx. 36"), utilice la siguiente fórmula para resolver X:

$X = C - (A + B + R + Y + Z)$, donde

A = Superficie de cocción hasta el piso

B = Altura de la campana sin elevador

C = Altura del cielorraso

R = Altura del elevador (debe usarse con el modo de recirculación, opcional para el modo de ventilación)

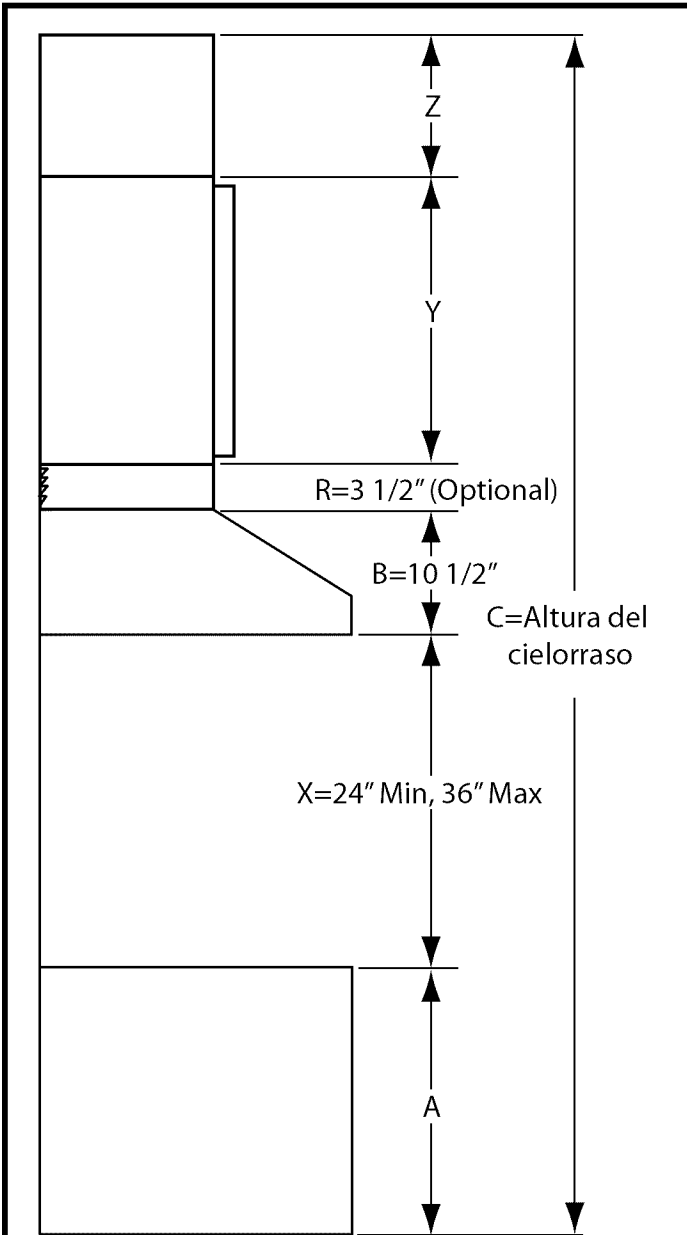
Y = Altura del gabinete

Z = Sofito/brecha entre el gabinete y el cielorraso (puede ser "0")

Ejemplo: $X = 96" - (36" + 10\ 1/2" + 3\ 1/2" + 15" + 6")$

$X = 25"$

Instrucciones de instalación



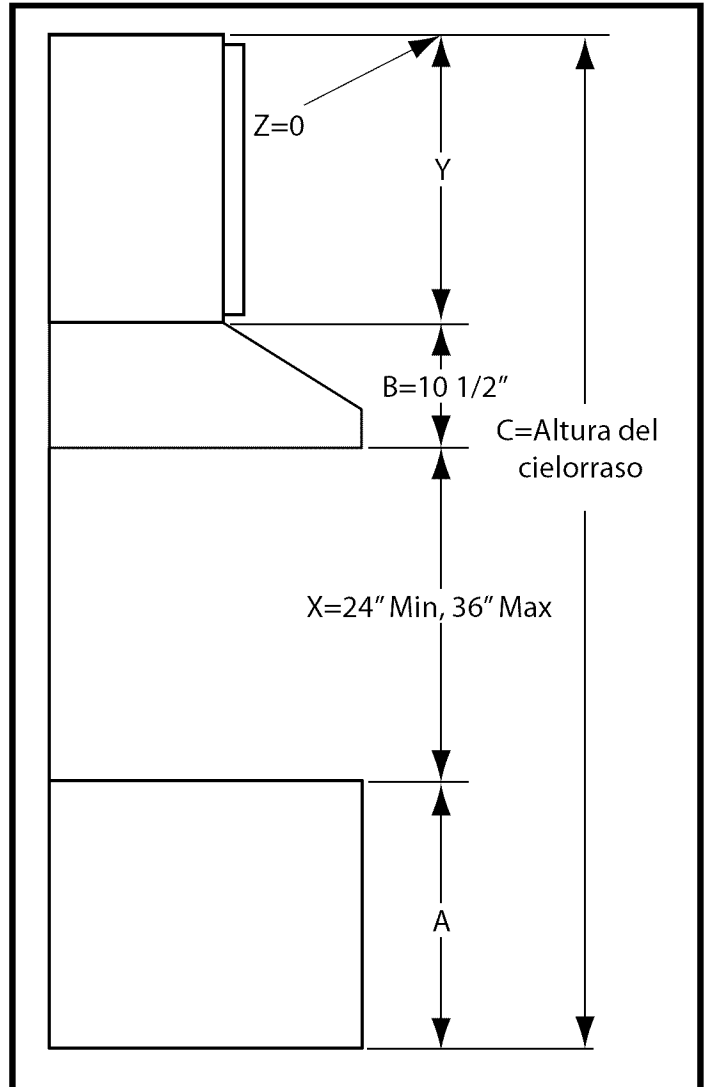
Modo de ventilación

En el modo de ventilación, la instalación puede realizarse con o sin el elevador. Usted debe considerar la altura del elevador de 3 1/2" para determinar la altura de instalación de la campana.

Para determinar la altura de instalación de la campana con el elevador:

$$X = C - (A + B + R + Y + Z)$$

Ejemplo: $X = 96" - (36" + 10 \frac{1}{2}" + 3 \frac{1}{2}" + 15" + 6")$
 $X = 25"$



Para determinar la altura de instalación de la campana sin el elevador:

$$X = C - (A + B + Y + Z)$$

Ejemplo: $X = 96" - (36" + 10 \frac{1}{2}" + 24" + 0")$
 $X = 25 \frac{1}{2}"$

NOTA: La altura de instalación debe medirse desde la superficie de cocción hasta la parte inferior de la campana. La campana de ventilación debe instalarse a un mín. de 24" y un máx. de 36" sobre la superficie de cocción. La altura de instalación de la campana, desde la superficie de cocción hasta la parte inferior de la campana, depende de la altura del cielorraso y de otros factores que deben considerarse.

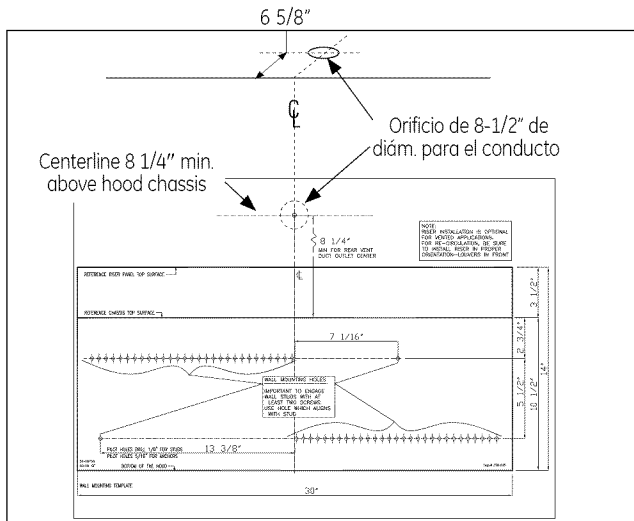
Instrucciones de instalación

INSTALACIÓN – VENTILACIÓN HACIA EL EXTERIOR

1 UBICACIONES DE LOS CONDUCTOS Y CABLEADO

Determine la ubicación exacta de la campana de ventilación. Ubique la plantilla enviada con las instrucciones.

- Mida 36" desde el piso hasta el extremo superior de la superficie de cocción. Agregue la altura de instalación de la campana establecida en las páginas previas. Marque esa ubicación.



- Utilice un nivel para dibujar una línea recta en lápiz sobre la pared.
- Adhiera con cinta la plantilla en su posición a lo largo de la línea de lápiz. ASEGÚRESE DE QUE LA PLANTILLA ESTÉ NIVELADA.

Conductos gabinete/cielorraso:

Si el conducto se ventilará directamente hacia el cielorraso o gabinete:

- Utilice un nivel para dibujar una línea recta hacia arriba, desde la línea central de la plantilla hasta el cielorraso/gabinete.
- Mida $3 \frac{3}{4}"$ desde la pared trasera hasta la línea central de un orificio de $6 \frac{1}{2}"$ en el cielorraso/parte superior del gabinete.

NOTA: Si no hay paredes de construcción en seco, agregue el espesor de las mismas a la dimensión de $3 \frac{3}{4}"$.

Conductos en la pared:

Si el conducto se ventilará hacia la parte trasera:

- Utilice un nivel para dibujar una línea recta hacia arriba, desde la línea central de la plantilla.
- Mida por lo menos $8 \frac{1}{4}"$ sobre la ubicación de la superficie superior del chasis de la campana indicada en la plantilla respecto de la línea central de un orificio para conducto de $8 \frac{1}{2}"$ de diámetro.

UBICACIÓN DEL CABLEADO DOMÉSTICO:

- La caja de conexiones se encuentra en el lado superior izquierdo de la campana.

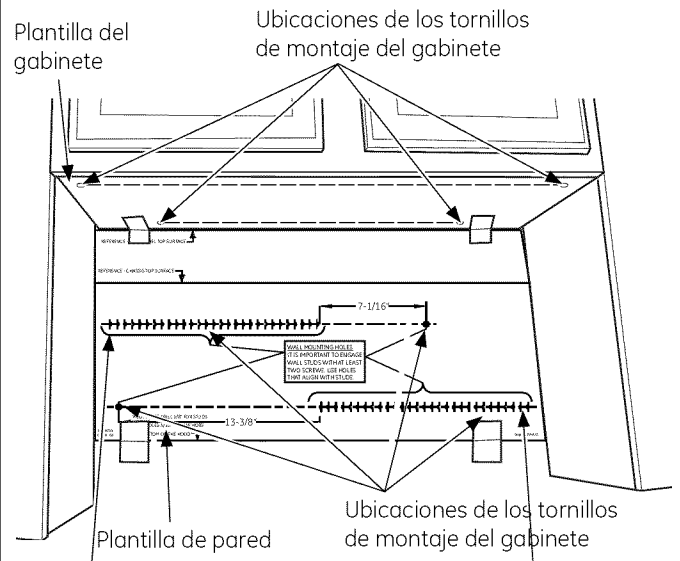
1 UBICACIONES DE LOS CONDUCTOS Y CABLEADO (Continuación)

- El cableado puede ingresar al gabinete desde el cielorraso o desde la pared trasera.
- Dirija la longitud adicional del cableado de modo que alcance la caja de conexiones

2 PREPARACIÓN DE LA PARED O CIELORRASO Y DEL GABINETE

IMPORTANTE — La campana de ventilación debe fijarse al gabinete y a por lo menos dos columnas de pared y pared de construcción en seco con fijaciones. El gabinete debe poder soportar 100 lbs.

- Con la plantilla adherida con cinta en su lugar, utilice una perforadora para marcar todas las ubicaciones de los tornillos de montaje. Marque los conductos, tornillos y orificios eléctricos de acuerdo con su aplicación.
- Perfore un orificio mínimo de $\frac{3}{4}"$ para el cable eléctrico en la parte inferior del gabinete.
- Perfore orificios piloto de $\frac{1}{8}"$ en las 4 ubicaciones perforadas en la parte inferior del gabinete.
- Perfore orificios piloto de $\frac{1}{8}"$ en las 4 ubicaciones perforadas en la pared.
- Quite la plantilla.
- Agrande a $\frac{5}{16}"$ los orificios que no pudieron ingresar a las columnas. Coloque los anclajes para las fijaciones dentro de los orificios.



NOTA: Es importante sujetar las columnas de pared con por lo menos dos tornillos. Utilice los orificios que se alinean con las columnas.

Instrucciones de instalación

INSTALACIÓN – VENTILACIÓN HACIA EL EXTERIOR

2 PREPARACIÓN DE LA PARED O CIELORRASO Y DEL GABINETE (Continuación)

PARA CONDUCTOS DE PARED TRASEROS

Establezca la línea central del gabinete.

Si la campana está montada con el elevador:

- Corte un orificio de 14" de diámetro en la parte inferior del gabinete.
- Corte un orificio de 8-1/2" de diámetro en la pared trasera del gabinete. Usted puede necesitar agregar conductos entre la salida de la campana y el codo.

Si la campana está montada sin el elevador:

- Corte un orificio de 10" de diámetro en la parte inferior del gabinete.
- Corte la ubicación de un orificio de 8-1/2" de diámetro en la pared trasera del gabinete. Usted puede necesitar agregar conductos entre la salida de la campana y el codo, dependiendo de la ubicación planeada para la salida de la pared trasera.
- Dependiendo de la altura del gabinete, quizás se necesite acortar la altura del codo de 8".

PARA CONDUCTOS DE CIELORRASO

Si la campana está montada con el elevador:

- Corte un orificio de 14" de diámetro en la parte inferior del gabinete.
- Corte un orificio de 8-1/2" de diámetro en la parte superior del gabinete y cielorraso a 6-5/8" de la pared.

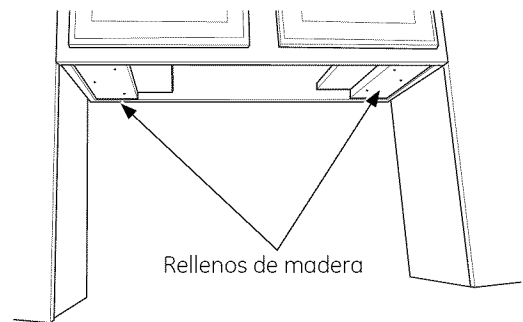
Si la campana está montada sin el elevador:

- Corte un orificio de 10" de diámetro en la parte inferior del gabinete a 6-5/8" de la pared.
- Corte un orificio de 8-1/2" de diámetro en la parte superior del gabinete a 6-5/8" de la pared y uno en el cielorraso a 6-5/8" de la pared.

NOTA: Los conductos que queden expuestos deben cubrirse utilizando su método preferido.

3 MONTAJE DE LA CAMPANA A LA PARTE INFERIOR DEL GABINETE

El montaje de la campana a la parte inferior del gabinete depende de su gabinete. Para gabinetes con partes inferiores que no se encuentran alineadas, se necesitan dos (2) rellenos de madera sólida de 4" de ancho (la longitud y grosor dependen de su gabinete) en las partes izquierda y derecha del gabinete inferior como se indica en la imagen. Si fuera necesario, utilice cuñas para que los rellenos de madera queden alineados.

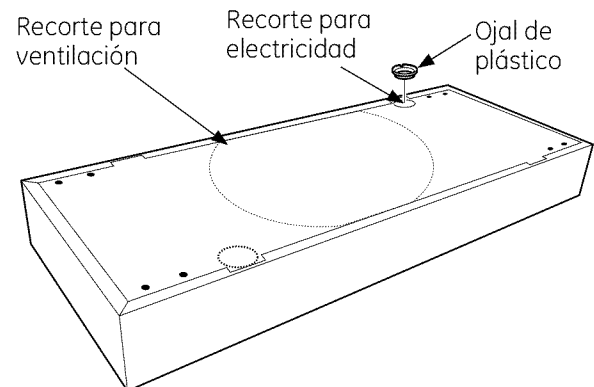


NOTA: Cuando fije rellenos de madera al gabinete, asegúrese de tener en cuenta las ubicaciones de los tornillos de montaje de la campana de la plantilla. Los rellenos de madera deben estar alineados o apenas un poco menos que la brida del gabinete. Asegúrese de que la parte inferior del gabinete esté nivelada.

Para gabinetes con partes inferiores alineadas, no se requieren instrucciones especiales.

Instalación de campana con elevador:

- Quite los recortes adecuados para electricidad y para conductos del elevador como se indica en la figura.
- Instale el ojal de plástico (de la bolsa de piezas) en el orificio recortado para electricidad a fin de proteger el cable



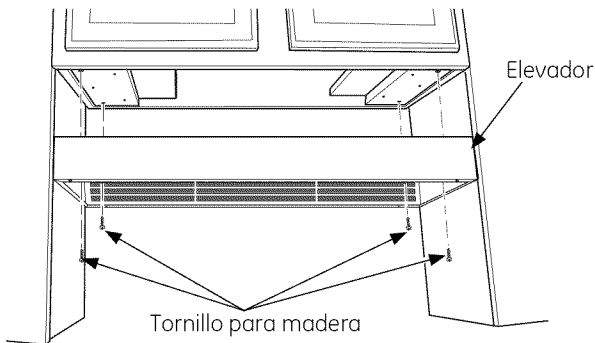
Instrucciones de instalación

INSTALACIÓN – VENTILACIÓN HACIA EL EXTERIOR

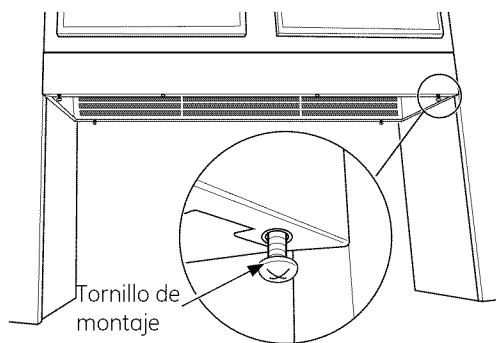
3 MONTAJE DE LA CAMPANA A LA PARTE INFERIOR DEL GABINETE (Continuación)

- Para fijar el elevador en el gabinete, coloque el elevador (con las rejillas apuntando a la pared) debajo del gabinete. Alinee el elevador y los orificios de montaje del gabinete. Coloque los 4 tornillos para madera provistos para instalar el elevador en el gabinete.

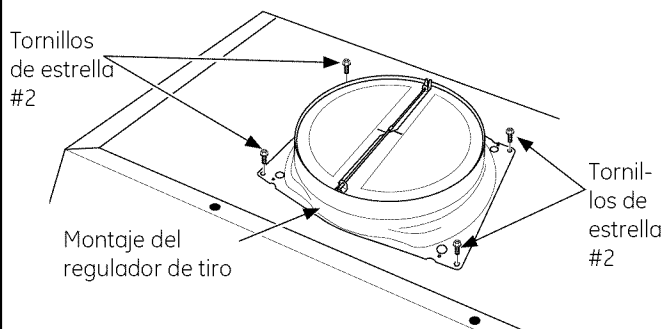
NOTA: Si así lo desea, usted puede instalar el elevador con las rejillas apuntando hacia adelante.



- Coloque 4 tornillos de montaje de la campana dentro de las tuercas roscadas de la parte inferior del elevador dejando 1/4" de saliente desde el elevador. La brecha de 1/4" brinda el espacio libre para enganchar las ranuras de los orificios en la parte superior de la campana.

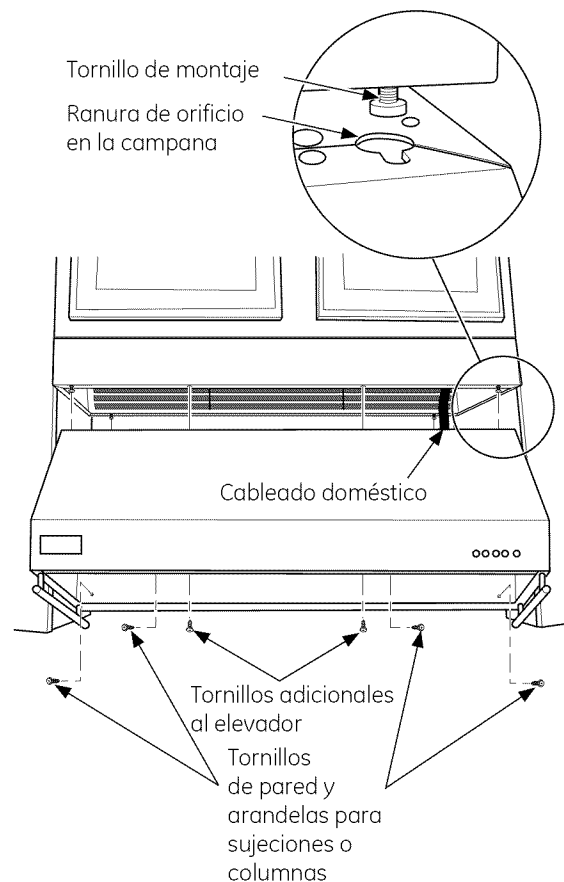


- Instale el montaje del regulador de tiro sobre la campana con los 4 tornillos de estrella provistos.



3 MONTAJE DE LA CAMPANA A LA PARTE INFERIOR DEL GABINETE (Continuación)

- Levante la campana hasta la posición de instalación. Ubique el cableado doméstico y diríjalo a través del recorte de la parte superior de la campana. Levante la campana y enganche las ranuras de los orificios sobre los tornillos de montaje y deslícela contra la pared. Ajuste los tornillos de montaje. Agregue 2 tornillos adicionales en el centro frontal del elevador.
- Instale 4 tornillos de pared y arandelas dentro de las sujeciones o columnas para completar el montaje de la campana.



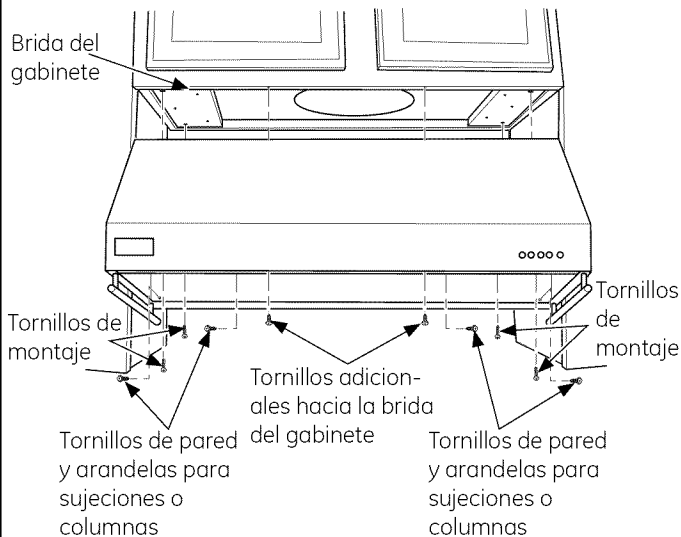
Instrucciones de instalación

INSTALACIÓN – VENTILACIÓN HACIA EL EXTERIOR

3 MONTAJE DE LA CAMPANA A LA PARTE INFERIOR DEL GABINETE (Continuación)

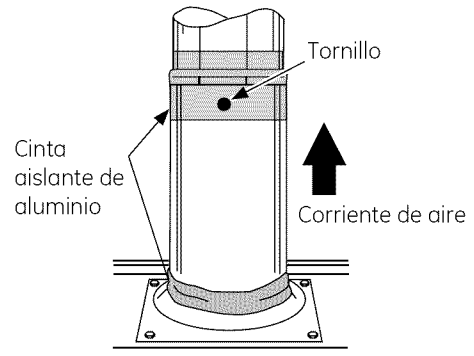
Instalación de campana sin elevador:

- Instale el montaje del regulador de tiro sobre la campana con los 4 tornillos de estrella provistos.
- Levante la campana debajo del gabinete. Alinee la campana y los orificios de montaje del gabinete. Utilice los 4 tornillos para madera provistos para fijar la campana al gabinete.
- Perfore 2 orificios piloto de 1/8 en la brida del gabinete. Fije con 2 tornillos para madera adicionales suministrados. Tenga cuidado al colocar tornillos dentro de la brida frontal.
- Instale 4 tornillos de pared y arandelas dentro de las sujeciones o columnas para completar el montaje de la campana.



4 CONEXIÓN DE LOS CONDUCTOS

- Instale los conductos realizando las conexiones en el sentido de la corriente de aire.
- Fije las juntas de los conductos con tornillos para placas de metal, verificando que haya espacio para que las solapas del regulador de tiro puedan abrirse y cerrarse.
- Envuelva todas las juntas del conducto con cinta aislante de aluminio para un sellado hermético.
- Use cinta aislante de aluminio para fijar la conexión de la brida. Coloque la mano dentro de la campana y empuje el regulador hacia arriba para verificar que se mueva libremente.



5 CONEXIÓN DE LA ELECTRICIDAD

Verifique que la energía esté cortada desde la fuente.

⚠ ADVERTENCIA: Si el cableado doméstico no cuenta con un cable de 2 hilos con conexión a tierra, un instalador debe realizar una conexión a tierra. Cuando el cableado doméstico es de aluminio, asegúrese de usar un compuesto antioxidante y conectores de aluminio a cobre aprobados por UL.

- Quite la tapa de la caja de conexiones.
- Asegure el cableado doméstico a la caja de conexiones con un alivio de tensión (no provisto).
- Conecte el cable blanco al cable blanco del circuito derivado.
- Conecte el cable negro al cable negro del circuito derivado.
- Conecte el cable verde/amarillo al cable verde del circuito derivado o al cable de conexión a tierra.

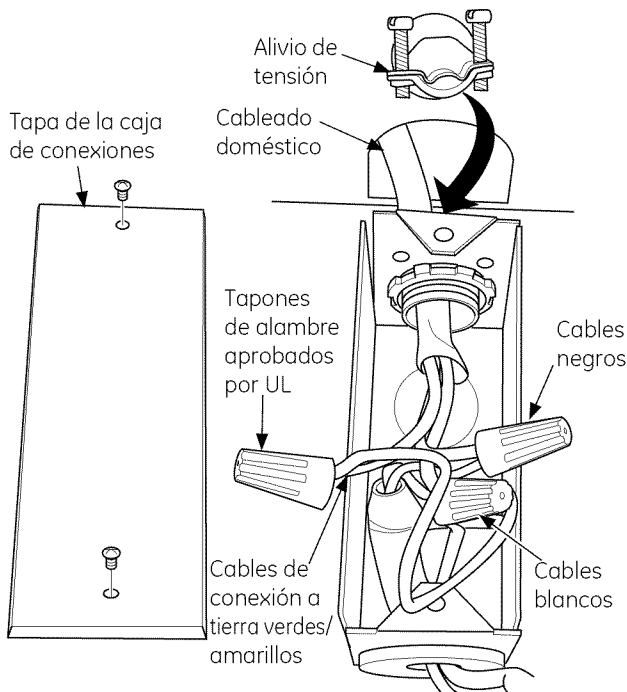
Instrucciones de instalación

INSTALACIÓN – VENTILACIÓN HACIA EL EXTERIOR

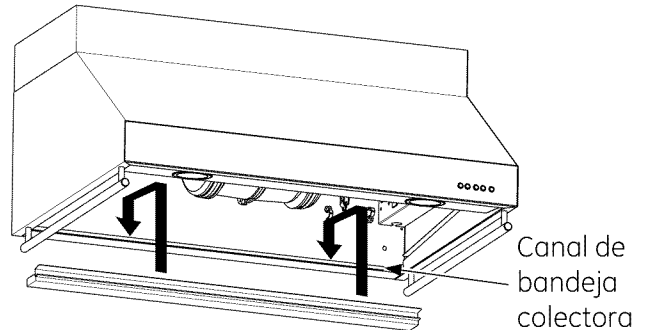
5 CONEXIÓN DE LA ELECTRICIDAD (Continuación)

- Ajuste todas las conexiones con tapones de alambre sobre cada conector eléctrico. Verifique que las conexiones del cableado estén seguras.
- Empuje los cables dentro de la caja de conexiones y vuelva a colocar la tapa. Verifique que los cables no sufran pellizcos.
- Ajuste la tapa de la caja de conexiones con los 2 tornillos originales.

Coloque el interruptor de desconexión de energía principal ubicado en la tapa de la caja de controles en la posición ON (encendido). Pruebe todas las funciones de la campana para verificar el funcionamiento de las conexiones eléctricas. Consulte el manual del propietario para instrucciones sobre operaciones de prueba.

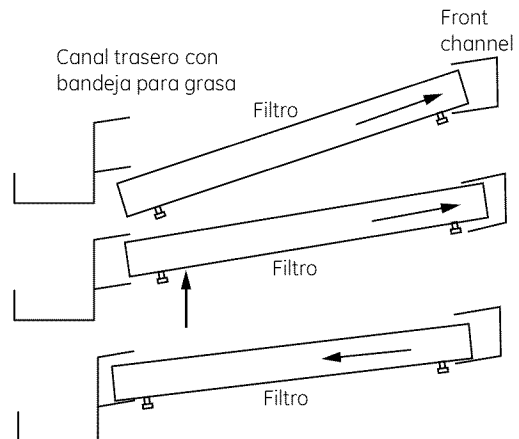


6 INSTALACIÓN DE LOS FILTROS DE GRASA CON DEFLECTORES Y LA BANDEJA COLECTORA (Continuación)



Instalación de los filtros de grasa con deflectores

1. Quite la película protectora.
2. Sostenga ambas perillas del filtro mientras coloca el extremo frontal del filtro en el canal del filtro superior (frontal). Empuje el filtro lo más al fondo posible dentro del canal.
3. Levante el extremo opuesto del filtro, alineando con el canal del filtro trasero (inferior).
4. Empuje el filtro dentro del canal trasero, permitiendo que quede dentro del canal trasero.
5. Asegúrese de que los filtros estén instalados correctamente.



6 INSTALACIÓN DE LOS FILTROS DE GRASA CON DEFLECTORES Y LA BANDEJA COLECTORA

Instalación de la bandeja colectora

1. Levante la bandeja colectora con las ranuras y canal del filtro hacia el frente.
2. Alinee la bandeja con el canal de la bandeja colectora de la campana y coloque en posición.

7 FINALICE LA INSTALACIÓN

- Quite la película protectora restante del lado frontal de la campana.
- Verifique que el ventilador y las luces funcionen correctamente. Consulte el Manual del propietario sobre instrucciones operativas y solución de problemas.

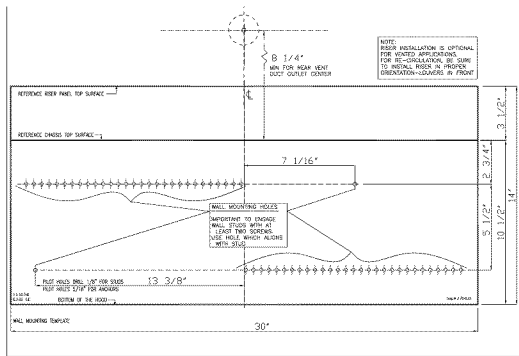
Instrucciones de instalación

INSTALACIÓN – RECIRCULACIÓN

1 UBICACIONES DEL CABLEADO

Determine la ubicación exacta de la campana de ventilación.

- Ubique la plantilla enviada con las instrucciones.
 - Mida 36" desde el piso hasta el extremo superior de la superficie de cocción. Agregue la altura de instalación de la campana establecida en las páginas previas. Marque dicha ubicación.
 - Utilice un nivel para dibujar una línea recta en lápiz sobre la pared.
 - Adhiera con cinta la plantilla en su posición a lo largo de la línea de lápiz. ASEGÚRESE DE QUE LA PLANTILLA ESTÉ NIVELADA.



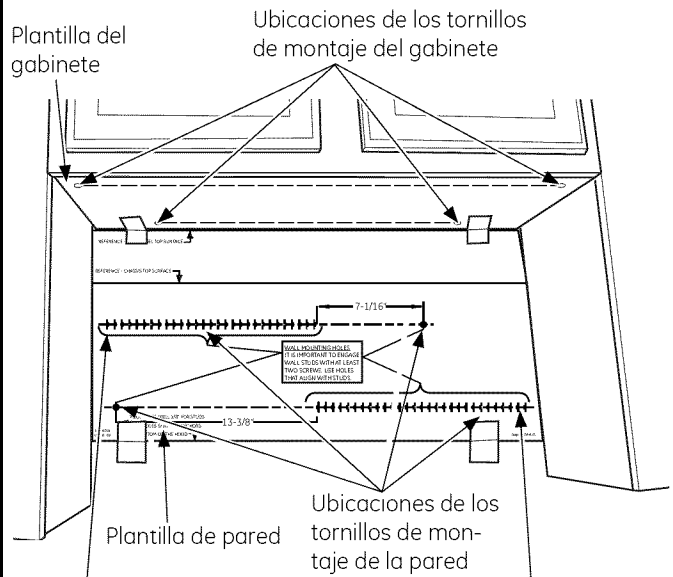
UBICACIÓN DEL CABLEADO DOMÉSTICO:

- La caja de conexiones se encuentra en el lado superior derecho de la campana.
- El cableado puede ingresar al gabinete desde el cielorraso o desde la pared trasera.
- Dirija la longitud adicional del cableado de modo que alcance la caja de conexiones.

2 PREPARACIÓN DE LA PARED Y DEL GABINETE

IMPORTANTE — La campana de ventilación debe fijarse al gabinete y a por lo menos dos columnas de pared y pared de construcción en seco con fijaciones. El gabinete debe poder soportar 100 lbs.

- Con la plantilla adherida con cinta en su lugar, utilice una perforadora para marcar todas las ubicaciones de los tornillos de montaje y orificios eléctricos de acuerdo con su aplicación.
- Perfore un orificio mínimo de 3/4" para el cable eléctrico en la parte inferior del gabinete.
- Perfore orificios piloto de 1/8" en las 4 ubicaciones perforadas en la parte inferior del gabinete.
- Perfore orificios piloto de 1/8" en las 4 ubicaciones perforadas en la pared.
- Quite la plantilla.
- Agrande a 5/16" los orificios que no pudieron ingresar a las columnas. Coloque anclajes para sujeciones de pared en los orificios.



NOTA: Es importante sujetar las columnas de pared con por lo menos dos tornillos. Utilice los orificios que se alinean con las columnas.

Instrucciones de instalación

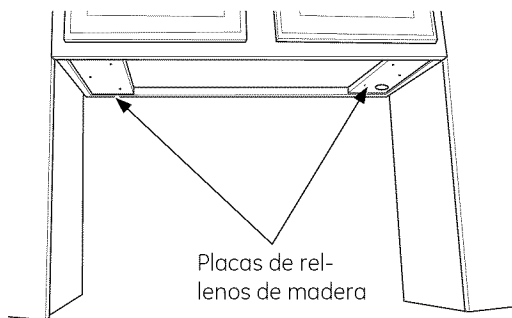
INSTALACIÓN – RECIRCULACIÓN

3 MONTAJE DE LA CAMPANA A LA PARTE INFERIOR DEL GABINETE

El montaje del elevador a la parte inferior del gabinete depende de su gabinete. Para gabinetes con partes inferiores que no se encuentran alineadas, se necesitan dos (2) rellenos de madera sólida de 4" de ancho (la longitud y grosor dependen de su gabinete) en las partes izquierda y derecha del gabinete inferior como se indica en la imagen. Si fuera necesario, utilice cuñas para que los rellenos de madera queden alineados.

NOTA: Cuando fije rellenos de madera al gabinete, asegúrese de tener en cuenta las ubicaciones de los tornillos de montaje de la campana de la plantilla. Los rellenos de madera deben estar alineados o apenas un poco menos que la brida del gabinete. Asegúrese de que la parte inferior del gabinete esté nivelada.

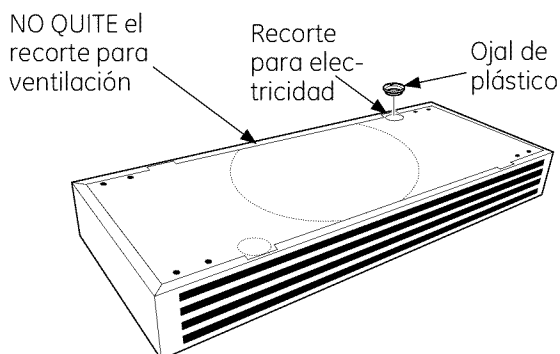
Para gabinetes con partes inferiores alineadas, no se requieren instrucciones especiales.



Instalación de la campana y del elevador

- Quite los recortes correctos para electricidad del elevador como se indica en la figura.
- Instale el ojal de plástico (de la bolsa de piezas) en el orificio recortado para electricidad a fin de proteger el cable.

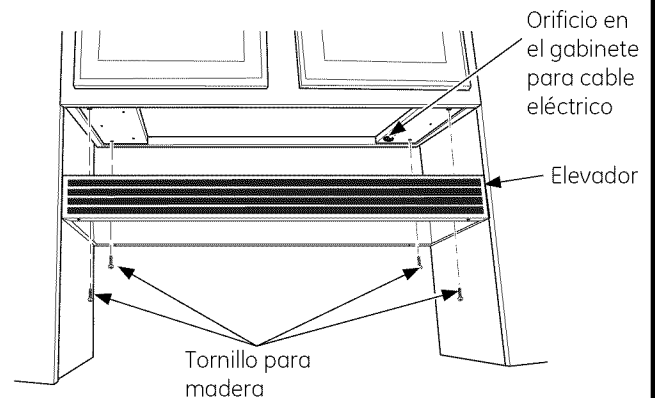
IMPORTANTE: NO quite el recorte grande para la instalación de RECIRCULACION. Las rejillas deben apuntar hacia el frente.



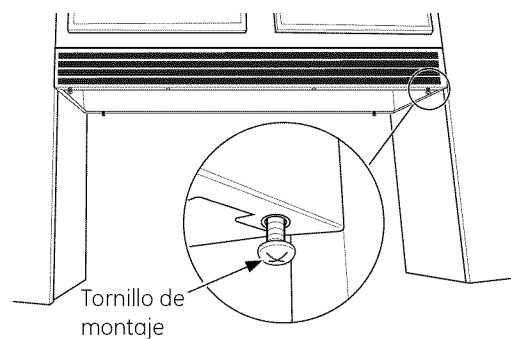
3 MONTAJE DE LA CAMPANA A LA PARTE INFERIOR DEL GABINETE (Continued)

Para fijar el elevador al gabinete:

- Coloque el elevador (con las rejillas apuntando hacia el frente) debajo del gabinete. Alinee el elevador y los orificios de montaje del gabinete. Coloque los 4 tornillos para madera provistos para instalar el elevador en el gabinete.



- Coloque 4 tornillos de montaje de la campana dentro de las tuercas roscadas de la parte inferior del elevador dejando 1/4" de saliente desde el elevador. La brecha de 1/4" brinda el espacio libre para enganchar las ranuras de los orificios en la parte superior de la campana.

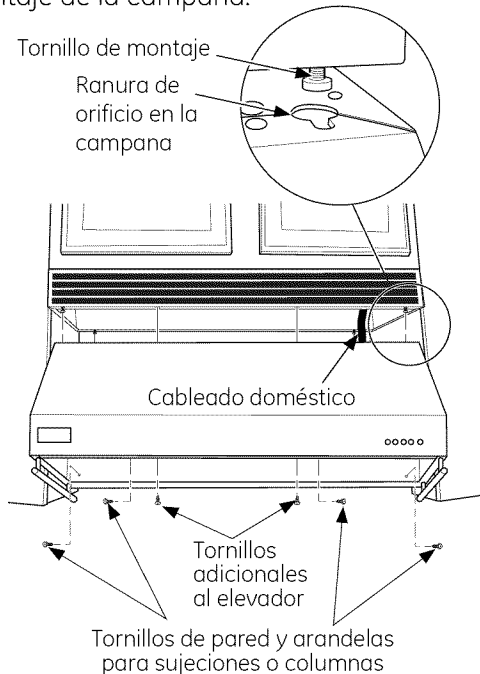


Instrucciones de instalación

INSTALACIÓN – RECIRCULACIÓN

3 MONTAJE DE LA CAMPANA A LA PARTE INFERIOR DEL GABINETE (Continuación)

- Levante la campana hasta la posición de instalación. Ubique el cableado doméstico y dirjalo a través de los recortes de la parte superior derecha de la campana. Levante la campana y enganche las ranuras de los orificios sobre los tornillos de montaje y deslícela contra la pared. Ajuste los tornillos de montaje. Agregue 2 tornillos adicionales en el frente y centre la campana en el elevador.
- Instale 4 tornillos de pared y arandelas dentro de las sujeciones o columnas para completar el montaje de la campana.



4 CONEXIÓN DE LA ELECTRICIDAD

Verifique que la energía esté cortada desde la fuente.

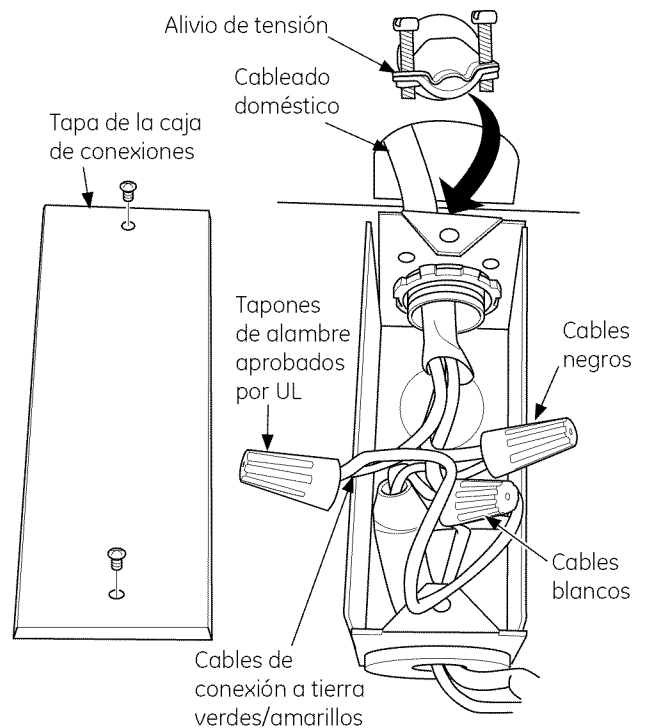
⚠ ADVERTENCIA: Si el cableado doméstico no cuenta con un cable de 2 hilos con conexión a tierra, un instalador debe realizar una conexión a tierra. Cuando el cableado doméstico es de aluminio, asegúrese de usar un compuesto antioxidante y conectores de aluminio a cobre aprobados por UL.

- Quite la tapa de la caja de conexiones.
- Asegure el cableado doméstico a la caja de conexiones con un alivio de tensión (no provisto).

4 CONNECTING ELECTRICAL (Continued)

- Conecte el cable blanco al cable blanco del circuito derivado.
- Conecte el cable negro al cable negro del circuito derivado.
- Conecte el cable verde/amarillo al cable verde del circuito derivado o al cable de conexión a tierra.
- Ajuste todas las conexiones con tapones de alambre sobre cada conector eléctrico. Verifique que las conexiones del cableado estén seguras.
- Empuje los cables dentro de la caja de conexiones y vuelva a colocar la tapa. Verifique que los cables no sufran pellizcos.
- Ajuste la tapa de la caja de conexiones con los 2 tornillos originales.

Coloque el interruptor de desconexión de energía principal ubicado en la tapa de la caja de controles en la posición ON (encendido). Pruebe todas las funciones de la campana para verificar el funcionamiento de las conexiones eléctricas. Consulte el manual del propietario para instrucciones sobre operaciones de prueba.



Instrucciones de instalación

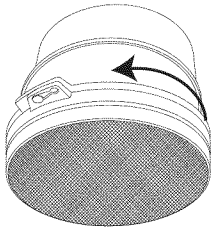
INSTALACIÓN – RECIRCULACIÓN

5 INSTALACIÓN DE LOS FILTROS DE CARBÓN

Los filtros de carbón deben instalarse para la instalación de recirculación.

Para instalar:

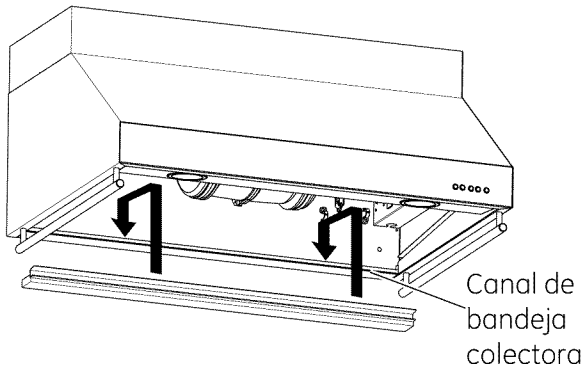
1. Alinee el filtro de carbón con la ranura de la tapa plástica del ventilador.
2. Gire el filtro en sentido contrario a las agujas del reloj para trabar en su lugar. Asegúrese de que ambas lengüetas estén bien trabadas en el filtro de carbón. Verifique que los filtros estén bien sujetos.



6 INSTALACIÓN DE LOS FILTROS DE GRASA CON DEFLECTORES Y LA BANDEJA COLECTORA

Instalación de la bandeja colectora

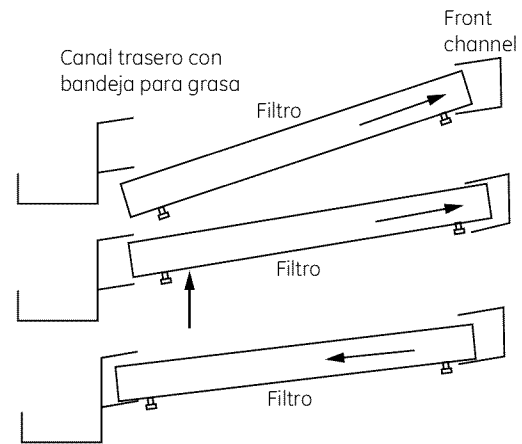
1. Levante la bandeja colectora con las ranuras y canal del filtro hacia el frente.
2. Alinee la bandeja con el canal de la bandeja colectora de la campana y coloque en posición.



6 INSTALACIÓN DE LOS FILTROS DE GRASA CON DEFLECTORES Y LA BANDEJA COLECTORA (Continuación)

Instalación de los filtros de grasa con deflectores

1. Quite la película protectora.
2. Sostenga ambas perillas del filtro mientras coloca el extremo frontal del filtro en el canal del filtro superior (frontal). Empuje el filtro lo más al fondo posible dentro del canal.
3. Levante el extremo opuesto del filtro, alineando con el canal del filtro trasero (inferior).
4. Empuje el filtro dentro del canal trasero, permitiendo que quede dentro del canal trasero.
5. Asegúrese de que los filtros estén instalados correctamente.



7 FINALICE LA INSTALACIÓN

- Quite la película protectora restante del lado frontal de la campana.
- Verifique que el ventilador y las luces funcionen correctamente. Consulte el Manual del propietario sobre instrucciones operativas y solución de problemas.

NOTE: While performing installations described in this book, safety glasses or goggles should be worn.

For Monogram® local service in your area, call 1.800.444.1845.

NOTE: Product improvement is a continuing endeavor at General Electric. Therefore, materials, appearance and specifications are subject to change without notice.

NOTE : Il est recommandé de porter des lunettes de sécurité ou des lunettes étanches lors de l'installation de cet appareil.

Pour les services locaux Monogram® dans votre secteur, appelez le 1.800.444.1845.

NOTE : Au sein de General Electric, nous nous efforçons toujours d'améliorer nos produits. Ainsi, les matériaux, l'aspect et les spécifications peuvent être modifiés sans préavis.

NOTA: Mientras efectúa las instalaciones descritas en este libro, deben utilizarse gafas o lentes de seguridad.

Para servicio técnico local Monogram® en su área, llame al 1.800.444.1845.

NOTA: La mejora de los productos es un esfuerzo continuo para General Electric. Por lo tanto, los materiales, la apariencia y las especificaciones pueden sufrir cambios sin previo aviso.

31-10749

04-10 GE

Printed in Italy
Imprimé en Italie
Impreso en Italia



GE Consumer & Industrial
Appliances
General Electric Company
Louisville, KY 40225
GEAppliances.com