

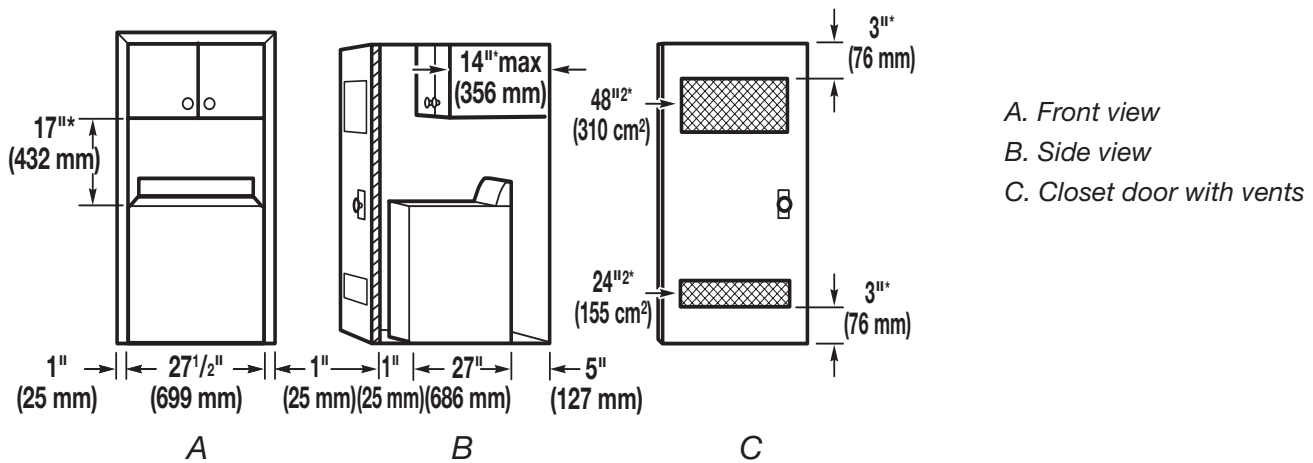


Top Load Washer

PRODUCT MODEL NUMBERS

WTW6200V, WTW6500W, WTW6800W,
 WTW6300W, WTW6340W, WTW7300X,
 WTW7340X, WTW7600X, WTW7800X,
 WTW7990X, WTW8400Y, WTW8440Y,
 WTW8600Y, WTW8800Y

Recessed or closet installation - stacked washer and dryer



* Required spacing

Installation spacing for recessed area or closet installation

The dimensions shown show recommended spacing allowed, with tested spacing of 0" (0 mm) clearance on sides.

- Additional clearances might be required for wall, door, floor moldings.
- Additional spacing should be considered for ease of installation and servicing.
- Additional spacing on all sides of the washer is recommended to reduce noise transfer.
- For closet installation, with a door, minimum ventilation openings in the top and bottom of the door are required. Louvered doors with equivalent ventilation openings are acceptable.
- Companion appliance spacing should also be considered.

ELECTRICAL REQUIREMENTS

A 120 volt, 60 Hz., AC only, 15- or 20-amp, fused electrical supply is required. A time-delay fuse or circuit breaker is recommended. It is recommended that a separate circuit serving only this appliance be provided.

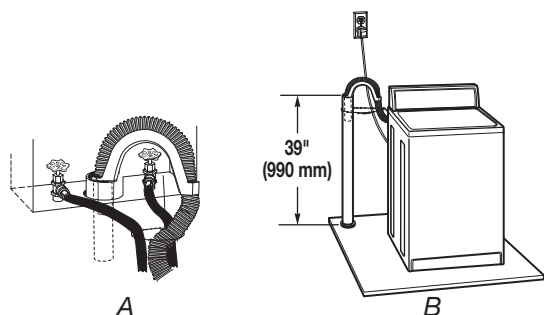
DRAIN SYSTEM

The washer can be installed using the standpipe drain system (floor or wall), the laundry tub drain system, or the floor drain system. Select the drain hose installation method you need.

Standpipe drain system - wall or floor (views A & B)

The standpipe drain requires a minimum diameter standpipe of 2" (51 mm). The minimum carry-away capacity can be not less than 17 gal. (64 L) per minute. A 2" (51 mm) diameter to 1" (25 mm) diameter standpipe adapter kit is available. See "Tools and Parts".

The top of the standpipe must be at least 39" (990 mm) high and no higher than 96" (2.4 m) from the bottom of the washer.



Laundry tub drain system (view C)

The laundry tub needs a minimum 20 gal. (76 L) capacity. The top of the laundry tub must be at least 39" (990 mm) above the floor and no higher than 96" (2.4 m) from the bottom of the washer.

Floor drain system (view D)

The floor drain system requires a siphon break that may be purchased separately. The siphon break must be a minimum of 28" (710 mm) from the bottom of the washer. Additional hoses might be needed.

