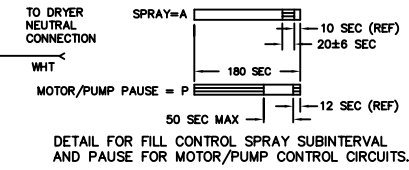
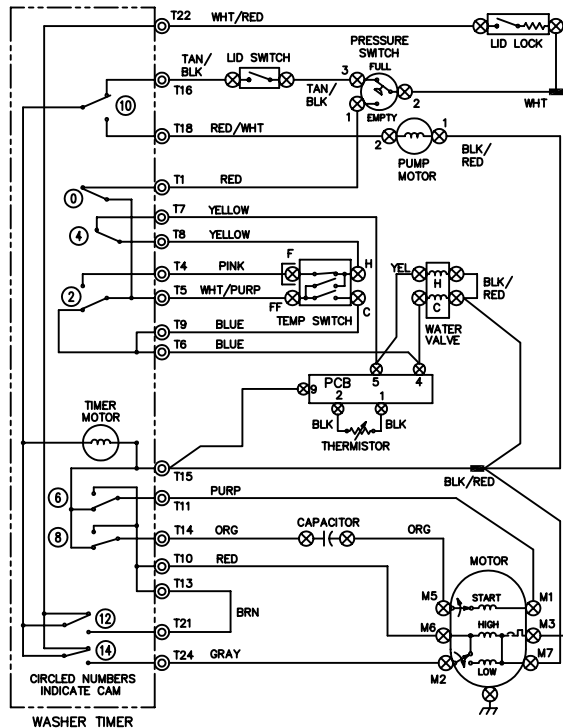


CAUTION: DISCONNECT ELECTRIC CURRENT BEFORE SERVICING

TERM	CIRCUIT	REGULAR		OFF	EX. RINSE	OFF	PERM. PRESS		OFF	KNITS & DELICATE		OFF	SOAK	PREWASH	OFF
		WASH (15 MIN)	PUMP (6 MIN)				WASH (12 MIN)	PUMP (6 MIN)		WASH (8 MIN)	PUMP (6 MIN)				
0	1														
2	3														
4	5														
6	7														
8	9														
10	11														
12	13														
14	15														
16	17														
18	19														
20	21														
22	23														
24	24														



**WIRING CODES**

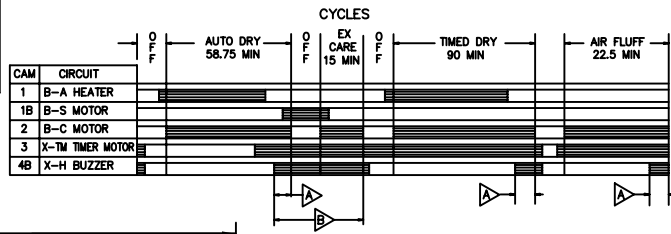
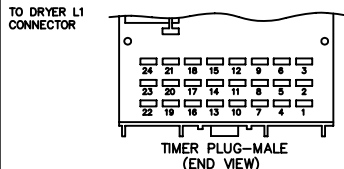
- ⊗ PLUG IN TIMER TERMINAL
- ⊙ QUICK DISCONNECT TERMINAL
- SCREW TERMINAL
- CONNECTION
- NO CONNECTION
- ⊗ MOTOR SWITCH
- SPlice
- MOTOR PROTECTOR
- CHASSIS (CABINET) GROUND
- HARNESS CONNECTOR TERMINAL
- ⊗ INSULATED TERMINAL

- NOTES:**
- ALL WIRING MUST CONFORM TO LOCAL ELECTRICAL CODES.
  - CONNECT DRYER TO 30 AMP INDIVIDUAL BRANCH CIRCUIT.
  - DRYER TIMER SHOWN IN OFF POSITION. DOOR SWITCH CLOSED, MOTOR AT REST, THERMOSTAT CLOSED, AND FABRIC SELECTOR SWITCH AT HIGH HEAT.
- WASHER TIMER SHOWN IN POSITION. TEMPERATURE SELECTOR SWITCH AT HOT WASH/COLD RINSE, AND PRESSURE SWITCH FULL.

**TEMPERATURE SWITCH CIRCUIT**

	F-H	FF-H	FF-C
HOT/COLD	X	0	0
WARM/WARM (OPT)	0	X	X
COLD/COLD	0	0	X
WARM/COLD	X	0	X

X=CLOSED 0=OPEN

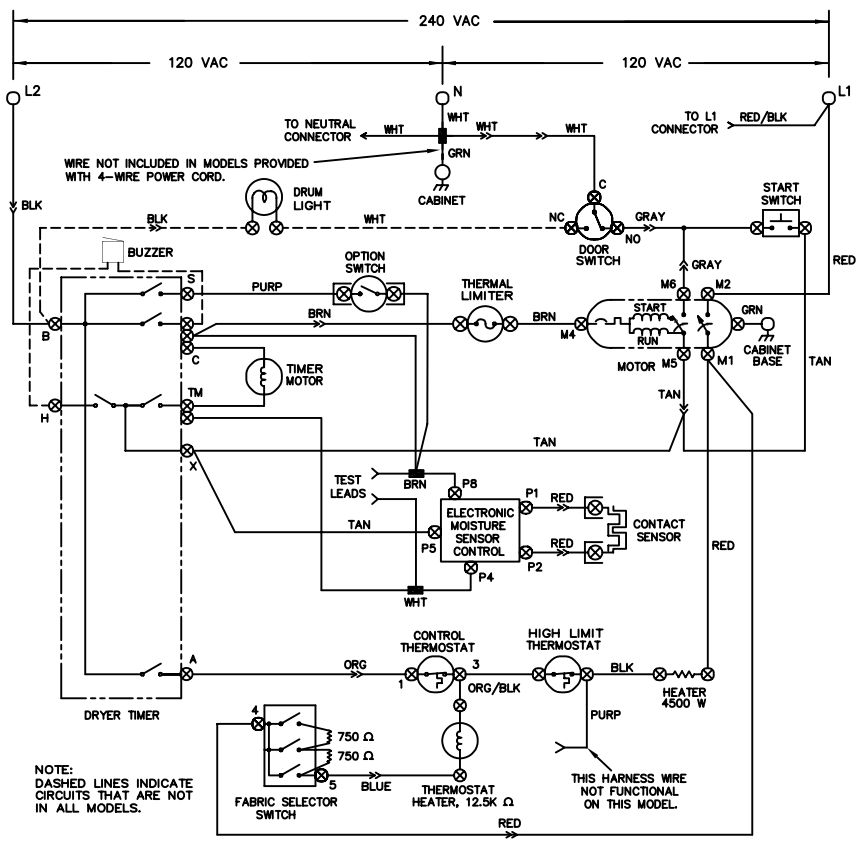


THE BAR CHART ABOVE REPRESENTS ONE COMPLETE REVOLUTION OF TIMER SHAFT. SHADED PORTION OF BAR CHART INDICATES THE PROPORTIONAL TIMES THAT INTERNAL TIMER CONTACTS ARE CLOSED.

- BUZZER**
- ▷ CIRCUIT "X-H" WILL CLOSE FOR 5 SEC ± 3 SEC 1 TO 2 TIMES IN THIS AREA. WHEN 2 CLOSURES OCCUR THEY WILL BE 5 MIN. APART.
  - ▷ CIRCUIT "X-H" WILL CLOSE FOR 5 SEC ± 3 SEC 5 TO 7 TIMES IN THIS AREA. THE CLOSURES WILL BE 5 MINUTES APART.

**FABRIC SELECTOR SWITCH**

POSITION	FUNCTION	RESISTANCE (4-5) Ω
1	HIGH	OPEN CIRCUIT
2	MEDIUM	1.5K ± 5%
3	MEDIUM/LOW	750 ± 5%
4	LOW	10 MAX



NOTE: DASHED LINES INDICATE CIRCUITS THAT ARE NOT IN ALL MODELS.

THIS HARNESS WIRE NOT FUNCTIONAL ON THIS MODEL.