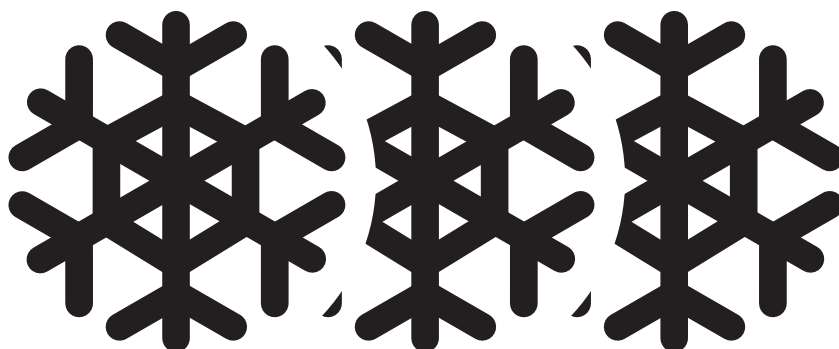

TAPPAN

***SIDE BY SIDE
ICE AND WATER***

REFRIGERATOR



READ AND SAVE THESE INSTRUCTIONS

OWNER'S GUIDE

P/N 218954501 (0101)

Product Registration

The information contained in this **Owner's Guide** will instruct you on how to properly operate and care for your product. Please read through the information contained in your literature pack to learn more about your new appliance.

Versión en español

Si desea obtener una copia en español de este Manual del Usuario, sírvase escribir la dirección que se incluye a continuación. Solicite la P/N 218954600.

Spanish Owner's Guides
Electrolux Home Products
P.O. Box 212378
Augusta, GA 30917

Record Your Model and Serial Numbers

Record the Model No. and Serial No. of this refrigerator in the spaces provided below. These numbers are found on the serial plate located on the ceiling of the refrigerator compartment.

Model No. _____

Serial No. _____

Register Your Product

The self-addressed PRODUCT REGISTRATION CARD should be filled in completely, signed and returned to the Electrolux Home Products.

Contents

This Owner's Guide provides specific operating instructions for your model. Use the refrigerator only as instructed in this Owner's Guide.

2	Product Registration
3	Important Safety Instructions
3	For Your Safety
3	Child Safety
3	Electrical Information
3	Other Precautions
4-5	First Steps
4	Location
4	Installation
4	Door Opening
4	Leveling
4	Cleaning
5	Connecting Ice Maker to Water Supply
6	Energy Saving Ideas
6	Setting the Controls
6	Cool Down Period
6	Refrigerator Control
6	Freezer Control
7	Fresh Food Storage
8-9	Automatic Ice and Water Dispenser
10-11	Care and Cleaning
10	Inside
10	Outside
10	Replacing the Light Bulb
10-11	Vacation and Moving Tips
11-12	Removing the Handles and Doors
13-16	Avoid Service Checklist
16	Normal Operating Sounds
17	Warranty
18	Service Information Canada

Important Safety Instructions

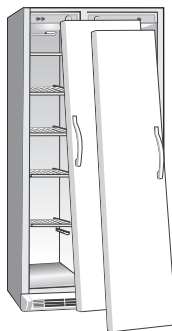
Read all instructions before using this refrigerator.

Proper Disposal of Your Refrigerator/Freezer

⚠️ WARNING Risk of child entrapment. Child entrapment and suffocation are not problems of the past. Junked or abandoned refrigerators are still dangerous - even if they will sit for "just a few days." If you are getting rid of your old refrigerator, please follow instructions below to help prevent accidents.

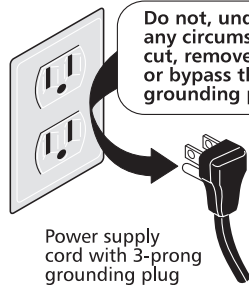
BEFORE YOU THROW AWAY YOUR OLD REFRIGERATOR OR FREEZER:

- Take off doors.
- Leave shelves in place, so children may not easily climb inside.



⚠️ WARNING Avoid fire hazard or electric shock. Do not use an extension cord or an adapter plug. Do not remove any prong from power cord.

Grounding type wall receptacle



⚠️ WARNING For Your Safety

Do not store or use gasoline or other flammable vapors and liquids in the vicinity of this, or any other appliance. Read product labels for flammability and other warnings.

⚠️ WARNING Child Safety

- Destroy carton, plastic bags, and any exterior wrapping material immediately after the refrigerator is unpacked. Children should never use these items for play. Cartons covered with rugs, bedspreads, plastic sheets, or stretch wrap may become airtight chambers that can quickly cause suffocation.
- Remove all staples from the carton. Staples can cause severe cuts, and ruin finishes if they come in contact with other appliances or furniture.
- An empty, discarded ice box, refrigerator, or freezer is a very dangerous attraction to children. **Remove door of any appliance that is not in use, even if it is being discarded.**

⚠️ WARNING Electrical Information

These guidelines must be followed to ensure that safety mechanisms in the design of this refrigerator will operate properly.

- **Refrigerator must be plugged into its own 115 Volt, 60 Hz, AC only electrical outlet.** The power cord of the appliance is equipped with a three-prong grounding plug, for your protection against shock hazards. It must be plugged directly into a properly grounded three-prong receptacle. The receptacle must be installed in accordance with local codes and ordinances. Consult a qualified electrician. **Do Not Use An Extension Cord Or An Adapter Plug.**
- If voltage varies by 10 percent or more, performance of your refrigerator may be affected. Operating the refrigerator with insufficient power can damage the compressor. Such damage is not covered under your warranty. If you suspect your voltage is high or low, consult your power company for testing.
- To prevent the refrigerator from being turned off accidentally, do not plug the unit into an outlet controlled by a wall switch or pull cord.
- Do not pinch, knot, or bend the power cord in any manner.

⚠️ WARNING Other Precautions

- Never unplug the refrigerator by pulling on the power cord. Always grip the plug firmly, and pull straight out from the receptacle.
- To avoid electrical shock, unplug the refrigerator before cleaning and before replacing a light bulb. **NOTE:** Turning the control to OFF turns off the compressor, but does not disconnect power to the light bulb or other electrical components.
- Do not operate the refrigerator in the presence of explosive fumes.
- Avoid contact with any moving parts of the automatic ice maker.

First Steps

This Owner's Guide provides specific operating instructions for your model. Use refrigerator only as instructed in this Owner's Guide. **Before starting refrigerator, follow these important first steps:**

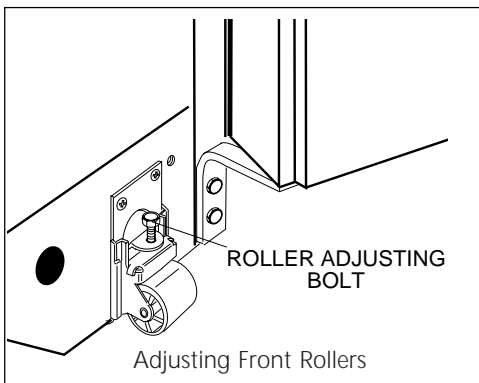
Location

Install refrigerator:

- near a grounded electrical outlet. **DO NOT** use an extension cord or an adapter plug.
- out of direct sunlight and away from range, dishwasher, or other heat sources, if possible.
- on a floor that is level and strong enough to support a fully loaded refrigerator.
- where a water supply is available for automatic ice maker.

Installation

- Do not install refrigerator where temperature will drop below 60°F (15°C), or rise above 110°F (43°C). Compressor will not be able to maintain proper temperatures.
- In a recessed installation, allow an extra 1/2 inch (10-15 mm) on each side for ease of installation.
- If the hinge side of the unit will be placed against a wall, allow a 1-3/4 inch (44 mm) space between wall and refrigerator to permit proper door swing.

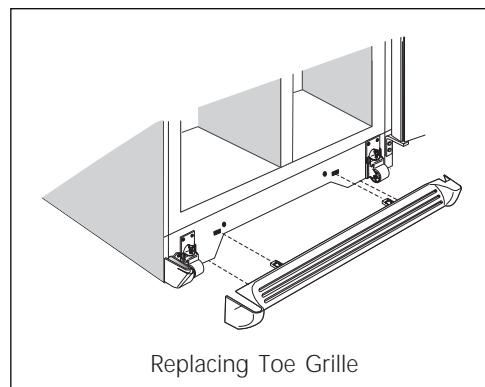


Door Opening

For best use of drawers and freezer basket, refrigerator should be in a position where both the refrigerator and freezer doors can be opened about 135°.

Leveling

- Refrigerator must be leveled with all bottom corners resting firmly on a solid floor. Adjust front rollers to level cabinet both front-to-rear and side-to-side. Keep cabinet as low as possible for stability. *Never adjust cabinet rollers so front is lower than rear.*
- **To adjust front rollers:** Open refrigerator and freezer doors. Remove toe grille by pulling it straight out. Adjust rollers by turning each roller adjusting bolt with an adjustable wrench, a socket wrench, or a nutdriver until refrigerator is level and stable. Rear rollers are not adjustable.
- Check both doors to be sure seals touch cabinet evenly on all four sides.
- If freezer door is higher than refrigerator door, raise right corner and/or lower left corner until doors align across top of cabinet.
- If refrigerator door is higher than freezer door, raise left corner and/or lower right corner until doors align across top of cabinet.
- **To replace toe grille:** Line up tabs with holes, and push grille straight on.



Cleaning

- Wash the inside, all removable parts, and the outside with mild detergent and warm water. Wipe dry. **Do Not Use Harsh Cleaners On These Surfaces.**
- **Do Not** use razor blades or other sharp instruments that can scratch appliance surface, when removing adhesive labels. Any glue left from the tape or energy label can be removed with a mixture of warm water and mild detergent, or touch glue with sticky side of tape already removed.
- **Do Not Remove Serial Plate.**

First Steps (continued)

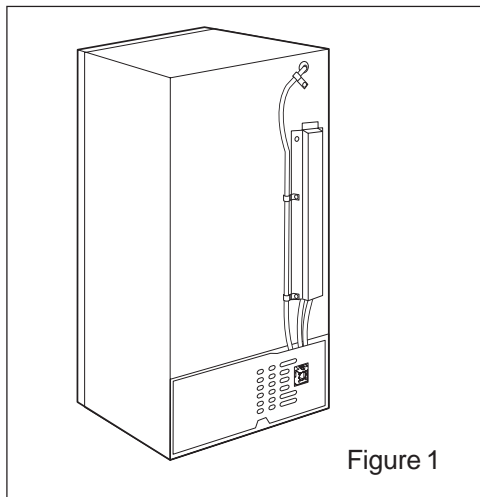


Figure 1

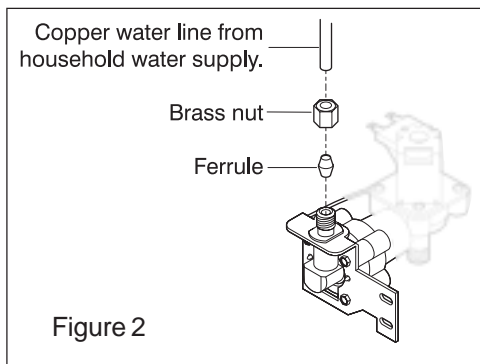


Figure 2

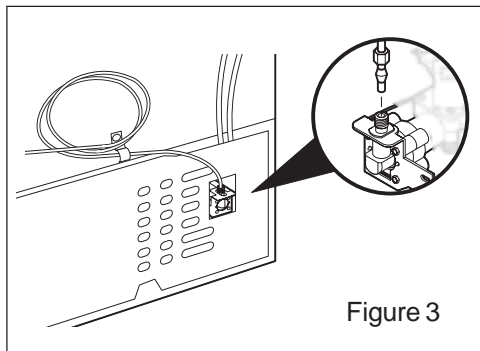


Figure 3

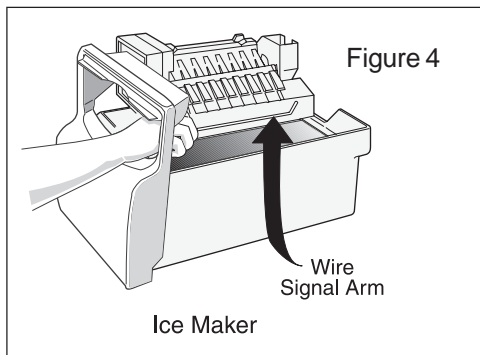


Figure 4

Connecting Ice Maker to Water Supply

⚠ CAUTION Do Not Install Ice Maker Tubing Where Temperature May Fall Below Freezing.

Check to be sure your water connection will comply with local plumbing codes.

Water quality determines your ice quality. It is best to connect the ice maker to water that is not softened. Chemicals from a malfunctioning softener can damage the ice maker. If the ice maker is connected to soft water, ensure that the softener is maintained and working properly.

The ice maker requires a 1/4 inch (6.4 mm) copper water supply line (with shutoff) from your household water system. Allow enough tubing behind your refrigerator to permit moving out to clean floor.

Water line kit 5308950117 is available through your dealer at extra charge. This kit includes 25 feet (7.6 meters) of 1/4 inch diameter copper tubing, plus parts to connect to your cold water line, including a saddle valve assembly. You will need to purchase a 1/4 inch brass compression nut and ferrule from your local hardware or plumbing store.

1. Turn ON water supply and flush out copper tubing. Turn off water supply.
2. Unplug refrigerator.
3. Install WATER SUPPLY LINE as follows (figure 2):
 - Slide brass nut, then ferrule, onto copper tubing.
 - Push end of copper tubing as far into the metal water valve fitting as it will go (1/4 inch). Slide ferrule into fitting and thread brass nut onto inlet, tighten finger tight plus 1/2 turn with wrench.

NOTE: Some models may have a cap on the valve. Unscrew the cap and discard.

4. Secure copper tubing with STEEL CLAMP and screw to rear panel at location shown (Figure 3).
5. Coil water supply tubing as shown (figure 3).

NOTE: To prevent vibration noise and wear, leave a space between all tubing and other surfaces.

6. Turn on water supply and check all connections for leaks (figure 3).
7. Plug refrigerator cord into wall outlet.

8. To begin ice production, lower the Wire Signal Arm to the "down" or "ON" position (Figure 4).

IMPORTANT

Ice production will begin when freezer reaches normal operating temperature. Air in new plumbing lines may cause ice maker to cycle two or three times before making a full tray of ice.

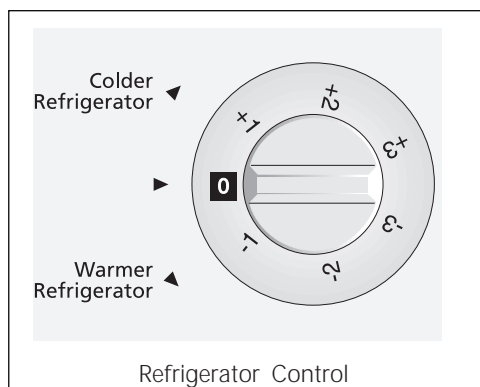
New plumbing may cause ice to be discolored or have poor flavor. Discard ice made during the first 24 hours. After installation, if you wish to shut the ice maker off, lift the Wire Signal Arm until it clicks and locks in the "UP" position.

Energy Saving Ideas

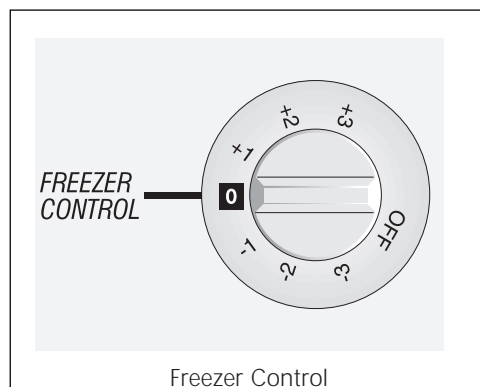


- Install the refrigerator in the most cool part of the room, out of direct sunlight and away from heating ducts or registers. Do not place the refrigerator next to heat-producing appliances such as a range, oven or dishwasher. If this is not possible, a section of cabinetry or an added layer of insulation between the two appliances will help the refrigerator operate more efficiently.
- Level the refrigerator so the doors close tightly.
- Refer to this Owner's Guide for the suggested refrigerator settings.
- Periodic cleaning of the condenser will help the refrigerator run more efficiently. See Outside in the *Care and Cleaning* section.
- Do not overcrowd the refrigerator or block cold air vents. Doing so causes the refrigerator to run longer and use more energy. Shelves should not be lined with aluminum foil, wax paper or paper toweling. Liners interfere with cold air circulation, making the refrigerator less efficient, which could cause food spoilage.
- Cover foods and wipe containers dry before placing them in the refrigerator. This cuts down on moisture build-up inside the unit.
- Organize the refrigerator to reduce door openings. Remove as many items as needed at one time and close the door as soon as possible.

Setting the Controls



Refrigerator Control



Freezer Control

Cool Down Period

To ensure safe food storage, allow the refrigerator to operate with the doors closed for at least 8 to 12 hours before loading with food.

Refrigerator Control

- The refrigerator control should be set at the midpoint of the dial for a trial period of 24 hours.
- After 24 hours, adjust the control as needed. For colder temperatures, turn the dial a notch toward **COLDEST**. For warmer temperatures, turn the dial a notch toward **COLD**. Adjust temperatures by one increment at a time.

Freezer Control

- The freezer control should be set at the midpoint of the dial for a trial period of 24 hours.
- After 24 hours, adjust the control as needed. For colder temperatures, turn the dial a notch toward **COLDEST**. For warmer temperatures, turn the dial a notch toward **COLD**. Adjust temperatures by one increment at a time.

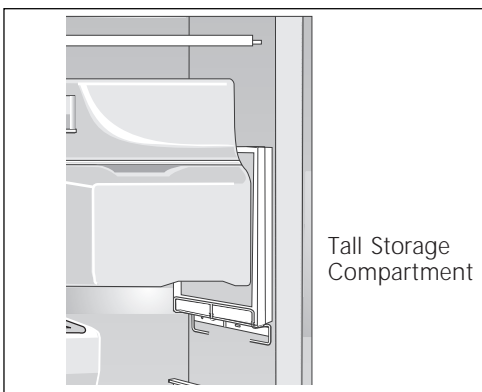
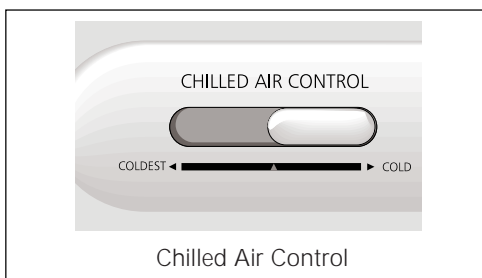
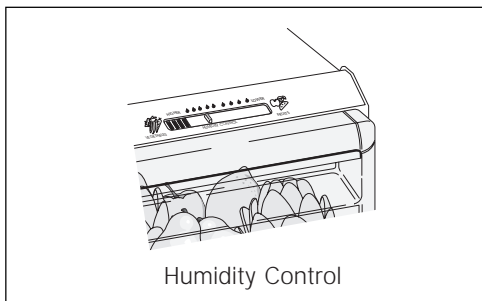
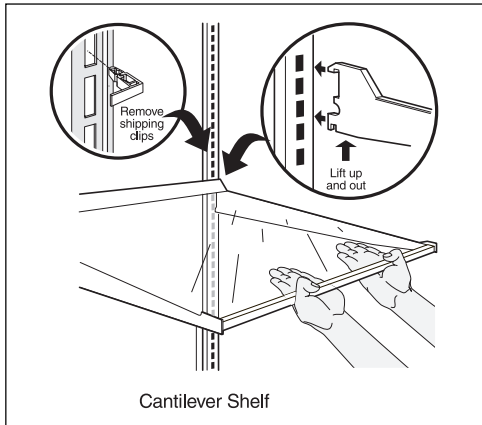
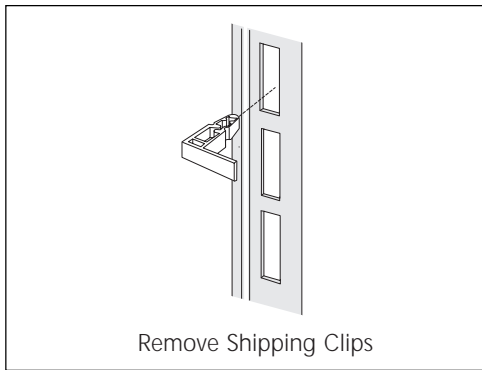
NOTE: When first setting the controls or when changing a setting, wait 24 hours for the temperature to stabilize before making additional changes.

Turning the freezer control may change temperatures in both compartments. For example, if the freezer control is turned to a colder setting, the refrigerator control may have to be adjusted to a warmer one. Turning the refrigerator control will change only the refrigerator temperature.

IMPORTANT: If the freezer control is turned to **OFF**, cooling stops in both compartments.

You may hear the "Frost Free" system working. A fan circulates air in the refrigerator and freezer compartments. For good circulation and maintenance of proper cooling temperatures, do not block cold air vents with food items. Water draining into the defrost water pan and hissing sounds are normal during the automatic "Frost Free" cycle.

Fresh Food Storage



Shelf Adjustment

Refrigerator shelves are easily adjusted to suit individual needs. Before adjusting shelves, remove all food. The shipping clips which stabilize the shelves for shipping may be removed and discarded.

To adjust the cantilever shelves (shelves supported at the rear of the refrigerator), lift the back of the shelf up and out. Replace shelf by inserting hooks at rear into slots. Lower and lock into position. Some models have *Spillfree™* glass shelves, which catch and hold accidental spills.

Door Storage

Door bins and shelves are provided for convenient storage of jars, bottles and cans. Items used often are available for quick selection.

The door bins can be moved to suit individual needs. Remove bins by lifting straight up. Place bins in the desired position and lower over the supports.

The Dairy compartment is warmer than the general food storage section and is intended for short term storage of cheese, spreads, or butter.

Crisper

The Crisper drawer, located under the bottom refrigerator shelf, is for storing fruits and vegetables. Most produce should be washed in clear water and drained before placing in this drawer. Items with strong odors or high moisture should be wrapped before storing.

The Humidity Control (some models) allows you to adjust the humidity within the Crisper drawer. This can extend the life of fresh vegetables which keep best in high humidity. Leafy vegetables, however, keep best when stored with the Humidity Control set on **HIGHER**, or in a drawer without a Humidity Control. This keeps incoming air to a minimum and maintains maximum moisture content.

Meat Keeper

The Meat Keeper is located at the bottom of the refrigerator. The temperature in this compartment can be made colder than the rest of the refrigerator compartment by sliding the Chilled Air Control knob within the **COLDEST** or **COLD** range. Meat will be partially frozen and may be kept fresh longer than if stored on a refrigerator shelf.

Before placing items in the Meat Keeper, follow these steps to keep the meat fresh:

1. Carefully handle meat with clean hands and always keep the compartment clean.
2. Store meat in its original wrapper. If necessary, overwrap in plastic wrap or foil to prevent drying. Wrap fish tightly to prevent odor transfer to other foods.
3. If spoilage ever occurs, disinfect the compartment with liquid chlorine bleach following label directions. Then rinse with a solution of baking soda and water. Rinse with clear water and dry.

Freezer Basket

A slide-out wire basket (some models have two) hangs below the bottom freezer shelf. This basket provides easy access to frozen food packages.

Tall Storage Compartment (some models)

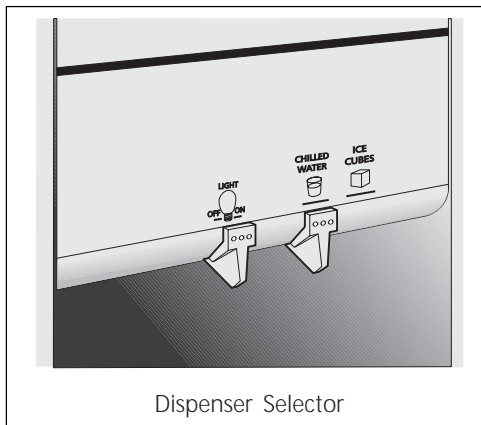
A shelf is attached to the freezer wall just below the ice server. This allows for convenient storage of tall items placed vertically between the ice server and the freezer wall.

Automatic Ice and Water Dispenser

The ice and water dispenser on the freezer door conveniently dispenses chilled water and ice cubes.

To operate the dispenser, slide the knob to the selection of your choice and press a glass against the dispensing arm, as shown. Be sure to hold the glass as far up as possible to catch all ice. To stop dispensing, pull glass away from dispensing arm. When dispensing ice, release the dispensing arm before the glass is full, but do not remove the glass until the ice has completely dispensed.

A small heated area beneath the dispenser floor catches and evaporates small spills. This drip tray is removable and dishwasher safe. **Do not pour water or excess cubes into this area** because there is no drain.



Light

The dispenser has a light which can be turned on and off by sliding the knob to the desired position. The light also turns on automatically when ice and/or water is dispensed. Replace light bulb with an appliance bulb of the same wattage.

How the Water Dispenser Works

The water tank is located behind the drawers in the refrigerator compartment. As the water is dispensed, the tank is automatically refilled. For proper operation of the dispenser, the supply water pressure must fall between 30 psi and 120 psi.

After the refrigerator is installed and the plumbing connections are complete, the water tank should be filled by drawing one glass of water. **It may take about 1-1/2 minutes** after depressing the dispenser arm before water works its way through the plumbing connections and begins to fill this first glass. Draw and discard 7 more glasses to be sure that the tank and plumbing connections are rinsed of any impurities. The water delivery system has a built in shut off device that will stop the water flow after 3 minutes of continuous use. Simply release the actuator button to reset the dispensing mechanism.

To ensure fresh-tasting water, plan to use the dispenser every day. If the water dispenser has not been used for a week or more, draw and discard 7-8 glasses to freshen the tank supply.

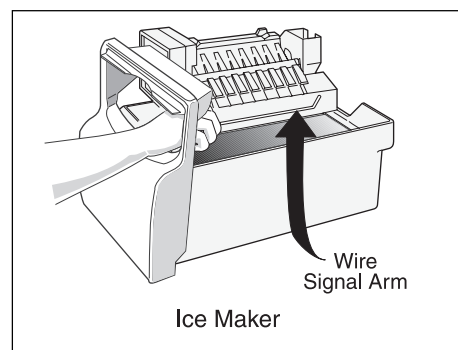


How the Ice Dispenser Works

The ice maker and ice storage bin are located in the top left corner of the freezer compartment. After the refrigerator is installed properly and has cooled for several hours, the ice maker can begin making ice. To begin ice production, lower the wire signal arm to the "down" or ON position. As cubes are made, they are stored in the storage bin. With no usage it will take approximately 2 days to fill the bin. However, the dispenser may be used after the first batch of ice is made. The ice maker turns off automatically when the ice storage bin is full.

Because of new plumbing connections, the first production of ice cubes may be discolored or have an odd flavor. These should be discarded until the cubes made are free of discoloration and taste. **CAUTION** Remember that water quality determines your ice quality. It is best to connect the ice maker to water that is not softened. Chemicals from a malfunctioning softener can damage the ice maker. If ice maker is connected to soft water, ensure the softener is maintained and working properly.

To stop the ice maker, lift the wire signal arm until it clicks and locks in the "up" or OFF position.



Automatic Ice and Water Dispenser

(continued)

Ice Dispenser Tips

1. Ice cubes stored too long may develop an odd flavor. Empty the container and return it to the proper position. The ice maker will then produce more ice.
2. Occasionally shake the container to keep ice separated.
3. If the dispensing arm is pushed in for more than 4 minutes, the dispenser motor may overload and stop. The overload protector will reset automatically after 3 or 4 minutes. If a large quantity of ice is needed at one time, it is best to remove cubes directly from the ice storage bin.
4. Certain sounds are normal when the ice maker is operating. They are:
 - Motor operation
 - Ice being loosened from the tray
 - Ice dropping into the storage bin
 - Running water
 - Water valve opening or closingFor more information on these operations, see *Normal Operating Sounds*.
5. Stop the ice maker when cleaning the freezer or for long vacations.
6. If the ice maker is to be turned off for a long period of time, turn the water supply valve to the closed position.

Cleaning the Ice Dispenser

Clean the dispenser and ice storage bin at regular intervals, particularly before you take a vacation or move, or if the ice dispenser sticks.

1. Stop ice production by lifting the wire signal arm to the "up" or OFF position.
2. Remove ice storage bin by lifting up and out. Empty and carefully clean the bin with **mild** detergent. Do not submerge the bin while cleaning. Rinse with clear water. Do not use harsh or abrasive cleaners. Allow ice bin to dry completely before replacing in the freezer.
3. Remove ice chips and clean the shelf and chute that supports the ice storage bin.
4. Replace the ice storage bin. Lower the wire signal arm on the ice maker to the "down" or ON position and the ice maker will resume production.

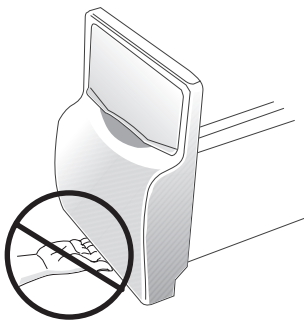
IMPORTANT: When removing or replacing the ice bin, do not rotate the auger in the ice bin. If the auger is accidentally turned, you must realign the auger by turning it in 90° turns until the ice bin fits into place with the drive mechanism. For further instruction, see the label on the ice bucket.

Remove and empty the ice storage bin if:

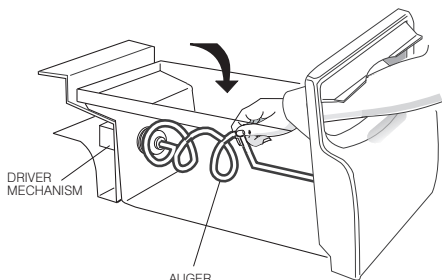
1. An extended power failure (one hour or longer) causes ice cubes in the ice storage bin to melt and freeze together and jam the dispenser mechanism.
2. The ice dispenser is not used frequently. Ice cubes will freeze together in the bin and jam the dispenser mechanism. Remove the ice storage bin and shake to loosen the cubes.

NEVER use an ice pick or similar sharp instrument to break up the ice. This could damage the ice storage bin and dispenser mechanism.

⚠ WARNING Do not use the ice chute as a handle when removing or replacing the ice storage bin. Surfaces there may be sharp.



DO NOT PUT FINGERS UP ICE CHUTE. SURFACES THERE MAY BE SHARP.



Repositioning the Auger

Care and Cleaning

Keep your refrigerator and freezer clean to prevent odor build-up. Wipe up any spills immediately and clean both sections at least twice a year. **Never** use metallic scouring pads, brushes, abrasive cleaners or strong alkaline solutions on any surface. **Do not** wash any removable parts in a dishwasher.

Always unplug the power cord from the wall outlet before cleaning.

NOTE: Turning the control to OFF does not disconnect power to the controls, light bulb, or other electrical components.

CAUTION Damp objects stick to cold metal surfaces. Do not touch refrigerated surfaces with wet or damp hands.

Inside

Wash inside surfaces of the refrigerator and freezer with a solution of 2 tablespoons baking soda in 1 quart warm water. Rinse and dry thoroughly. **Be sure to wring excess water out of sponge or cloth before cleaning around the controls, light bulb, or any electrical parts.**

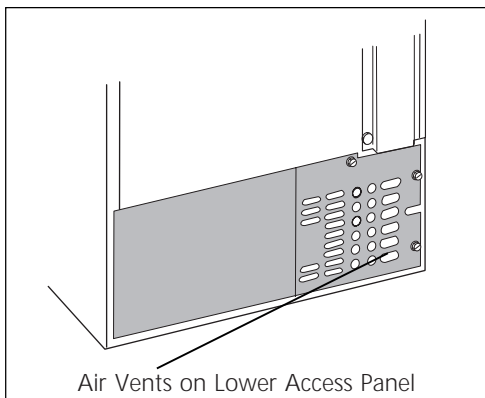
Wash removable parts such as shelves and drawers with baking soda solution or mild detergent and warm water. **Do Not Use Harsh Cleaners On These Surfaces.** Rinse and dry thoroughly. Clean the door gaskets with mild suds, rinse with clear water and wipe dry. **Do Not** use razor blades or other sharp instruments which can scratch the appliance surface when removing adhesive labels. Any glue left from the tape or energy label can be removed with a mixture of warm water and mild detergent, or, touch the glue with the sticky side of tape already removed. **Do Not Remove The Serial Plate.**

CAUTION To avoid damage and help the refrigerator run as efficiently as possible, clean the condenser and air vents periodically.

Outside

Wash the cabinet and handles with warm water and mild liquid detergent. Rinse well and wipe dry with a clean soft cloth. Do not use commercial household cleaners, ammonia, or alcohol to clean handles.

Remove any dust or dirt from the front of the toe grille using a vacuum cleaner with its dusting tool attachment. Remove the toe grille by pulling it straight out. While the grille is removed, vacuum the backside of the grille and wipe with a sudsy cloth or sponge. Periodically clean the condenser (black tubes and wires beneath the refrigerator, behind the toe grille). Do not allow lint or dust to accumulate on the coils. Insert a long handled brush or vacuum attachment between the two coils to bring the lint forward. To replace the toe grille, line up tabs with holes and push grille straight on. **CAUTION Use caution when cleaning in the area of the coils. Surfaces there may be sharp.**



The air vents on the lower access panel at the rear of the refrigerator should be cleaned periodically. Clean the vents by using a vacuum cleaner with its dusting tool attachment. When moving the refrigerator, pull straight out. Do not shift the refrigerator from side to side as this may tear or gouge the floor covering. Be careful not to move the refrigerator beyond plumbing connections.

Replacing the Light Bulb

To replace the light bulb in either compartment:

1. Unplug the refrigerator.
2. Wear gloves as protection against possible broken glass.
3. Replace old bulb with an appliance bulb of the same wattage.
4. Remember to plug the refrigerator back in.

Vacation and Moving Tips

Short vacations:

- Leave refrigerator operating during vacations of 3 weeks or less.
- Use up all perishable items in refrigerator section.
- Wrap and store other items in the freezer.
- Turn off automatic ice maker, even if you will be gone just a few days.

Care and Cleaning (continued)

Long vacations:

- Remove all food and ice if you will be gone 1 month or more.
- Turn controls to OFF and disconnect power.
- Turn off automatic ice maker and turn water supply valve to the closed position.
- Clean interior thoroughly. Leave both doors open to prevent odor and mold build-up. Block open if necessary.

Moving:

 When moving refrigerator, follow these guidelines to prevent damage:

- Remove all food and other items from both the refrigerator and freezer compartments.
- Empty ice storage bin.
- If a hand truck is used in moving, load refrigerator from the side.
- Turn rollers as far up as possible. This will protect them during sliding or moving.
- Cabinet should be well padded and handled with care. **DO NOT DROP.**

IMPORTANT:

If the refrigerator is going to be stored or moved in freezing temperatures, the water in the ice and water system must be drained completely. Failure to do so could result in water leaks when the refrigerator is put back in service. Contact a service representative to perform this operation.

Removing the Handles and Doors

If it is necessary to move the refrigerator through narrow doorways, follow these steps to remove the handles and/or refrigerator and freezer doors.

To Remove Handles

Full-length Trim:

1. Using a putty knife, carefully slide the corner of the blade under the trim. Slide blade down until you find the trim lock. Carefully maneuver the blade against the trim lock **from the side** as shown.

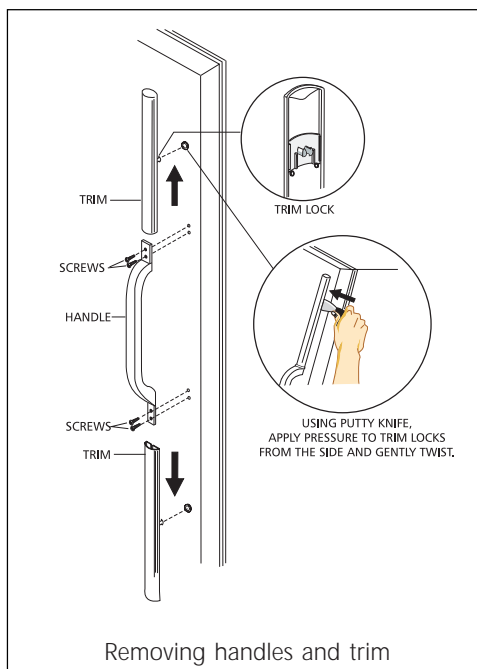
NOTE: Pressing down on the trim lock from above will not release it.

2. Carefully push the putty knife firmly against the trim lock and twist gently. The trim lock will snap free from the door. (Each trim piece will have two trim locks.)
3. Grasp trim and pull up away from handle using a slight side-to-side motion.
4. Remove screws attaching handle to door.
5. Repeat these steps for each handle end. Keep screws and trim pieces.
6. To replace handles, line up handle with screw holes, insert screws and tighten. Slide upper and lower trim pieces back on handle ends, and snap trim locks back into holes on door front.

To Remove Doors

Before removing the doors, be sure the freezer control is turned to OFF. Remove all food from the doors and unplug the refrigerator. Remove the toe grille.

Trace around the hinges with a soft lead pencil. This will make it easier to realign the doors when they are replaced. Completely remove one door before starting removal of the other.



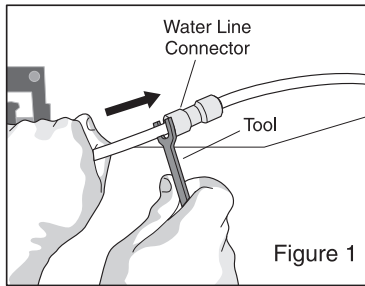


Figure 1

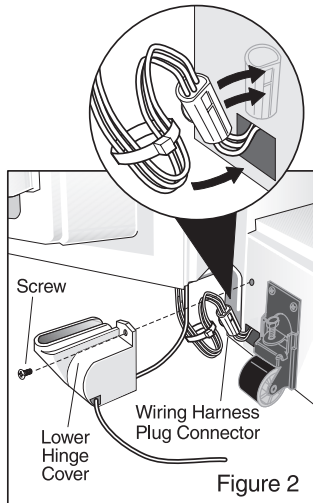


Figure 2

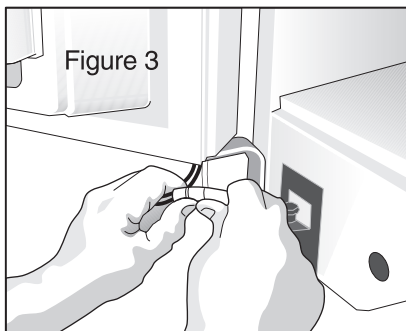


Figure 3

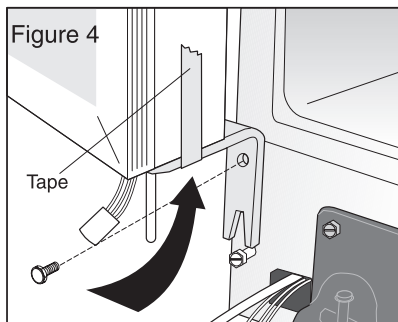


Figure 4

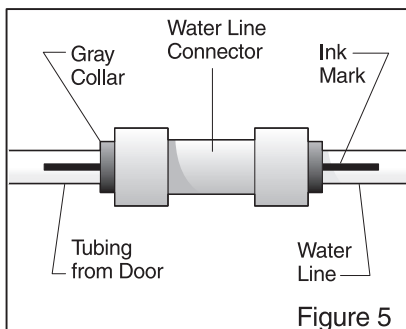


Figure 5

To Remove Freezer Door:

1. Remove the toe grille (see "Outside" in *Care and Cleaning* Section).
2. To disconnect water line, grip tube firmly in left hand and use tool (located in bag under toe grille) to push in on gray collar to release water connector (Figure 1).
3. Remove screw to detach lower hinge cover (Figure 2).
4. To disconnect wiring harness plug connector, place your thumbs on the flat sides of each connector piece. Bend both parts back and forth. Then with a firm grasp, pull the two pieces apart as shown (Figure 3).
5. Place a strip of tape along door bottom, over lower hinge and up the side of the door. This will hold hinge in place when door is removed (Figure 4).
6. **Loosen, but DO NOT REMOVE, bottom lower hinge bolt.** Remove top lower hinge bolt (Figure 4).
7. Remove top hinge cover by lifting back of cover and sliding forward. Remove screws mounting hinge bracket to cabinet. Hold bracket when removing last screw; door closer mechanism places mild spring tension on hinge. **DO NOT** remove hinge bracket from door.
8. Carefully lift door up and off loosened lower hinge bolt (Figure 4).

To Remove Refrigerator Door:

1. Remove top hinge cover by lifting back of cover and sliding forward. Remove screws mounting hinge bracket to cabinet. Hold bracket when removing last screw; door closer mechanism places mild spring tension on hinge. **DO NOT** remove hinge bracket from door.
2. **Loosen, but DO NOT REMOVE, bottom lower hinge bolt.** Remove top lower hinge bolt
3. Carefully lift door up and off loosened lower hinge bolt.

Store doors in a safe place until refrigerator is moved to desired location. Keep all hardware for reinstallation.

To Reinstall Freezer Door:

1. Position door on unit and tighten screws.
2. Reconnect the wiring connector, making sure it is locked. Fold wires as shown and apply a twist tie (Figure 2). Insert tube through hole in cover. **Position cover over wires without pinching the wires.** Install the screw to attach cover.
3. **IMPORTANT:** To reinstall water line connector, push door tube firmly into connector until connector touches the black mark on the tube and stops (Figure 5). This step is critical to ensure that the water line does not leak.

To Reinstall Refrigerator Door:

To reinstall refrigerator door, reverse instructions used to remove door.

Avoid Service Checklist

Before calling for service, review this list. It may save you time and expense. This list includes common occurrences that are not the result of defective workmanship or materials in this appliance.

OCCURRENCE

SOLUTION

RUNNING OF REFRIGERATOR

Refrigerator compressor does not run.	Freezer control is off. Set freezer control. See Setting the Controls .
	Refrigerator is in defrost cycle. This is normal for a fully automatic defrosting refrigerator. The defrost cycle occurs periodically, lasting about 20 minutes.
	Plug at wall outlet is disconnected. Make sure plug is tightly pushed into outlet.
	House fuse has blown or circuit breaker has tripped. Check and/or replace fuse with a 15 amp time-delay fuse. Reset circuit breaker.
	Power outage. Check house lights. Call local electric company.
Refrigerator runs too much or too long.	Room or outside weather is hot. It is normal for the refrigerator to work longer under these conditions.
	Refrigerator has recently been disconnected for a period of time. It takes about 8-12 hours for the refrigerator to cool down completely.
	Automatic ice maker is operating. Ice maker operation causes refrigerator to run slightly more.
	Doors are opened too frequently or too long. Warm air entering the refrigerator causes it to run more. Open doors less often.
	Refrigerator or freezer door may be slightly open. Make sure refrigerator is level. Keep food and containers from blocking door. See Occurrence section OPENING/CLOSING OF DOORS/DRAWERS .
	Refrigerator control (found in refrigerator section) is set too cold. Set refrigerator control to a warmer setting until refrigerator temperature is satisfactory. Allow 24 hours for the temperature to stabilize.
	Refrigerator or freezer gasket is dirty, worn, cracked, or poorly fitted. Clean or change gasket. Leaks in door seal will cause refrigerator to run longer in order to maintain desired temperatures.
Refrigerator compressor goes on and off frequently.	Thermostat is keeping refrigerator at a constant temperature. This is normal. Refrigerator goes on and off to keep temperature constant.
TEMPERATURES ARE TOO COLD	
Temperature in freezer is too cold and refrigerator temperature is satisfactory.	Freezer control is set too cold. Set freezer control to a warmer setting until freezer temperature is satisfactory. Allow 24 hours for the temperature to stabilize. Then, if refrigerator temperature is not right, set refrigerator control to a colder setting.
Temperature in refrigerator is too cold and freezer temperature is satisfactory.	Refrigerator control is set too cold. Set refrigerator control to a warmer setting. Allow 24 hours for temperatures to stabilize.
Food stored in drawers freezes.	Refrigerator control is set too cold. See solution above.
Food stored in Meat Keeper (some models) freezes.	Meat should be stored at a temperature just below the freezing point of water (32°F, 0°C) for maximum fresh storage time. It is normal for ice crystals to form due to the moisture content of meat.
	Chilled Air Control set too cold. Adjust Chilled Air Control to a lower setting.
TEMPERATURES ARE TOO WARM	
Temperature in freezer or refrigerator is too warm.	Doors are opened too frequently or too long. Warm air enters refrigerator whenever door is opened. Open door less often.
	Door is open slightly. See Occurrence section OPENING/CLOSING OF DOORS/DRAWERS .
	Condenser is dirty. Clean condenser. See "Outside" in Care and Cleaning .

OCCURRENCE

SOLUTION

TEMPERATURES ARE TOO WARM (continued)

Temperature in freezer is too warm.	Freezer control is set too warm. Set freezer control to a colder setting until freezer temperature is satisfactory. Allow 24 hours for the temperature to stabilize. Then, if refrigerator temperature is not right, set refrigerator control to a warmer setting.
Temperature in the refrigerator is too warm and the freezer temperature is satisfactory.	Refrigerator control is set too warm. Set refrigerator control to a colder setting. Allow 24 hours for the temperature to stabilize.
Temperature in Meat Keeper (some models) is too warm.	Chilled Air Control is set too warm. Adjust Chilled Air Control to a colder setting.

WATER/MOISTURE/FROST INSIDE REFRIGERATOR

Moisture collects on inside of refrigerator walls.	Weather is hot and humid, which increases rate of frost buildup and internal sweating. This is normal.
	Door is slightly open. See Occurrence section OPENING/CLOSING OF DOORS/DRAWERS .
	Door is opened too often or too long. Open door less often.
Water collects on bottom side of drawer cover.	Vegetables contain and give off moisture. It is not unusual to have moisture on the bottom side of the cover.
Water collects in bottom of drawer.	Washed vegetables and fruits drain while in the drawer. Dry items before putting them into drawer. Water collecting in bottom of drawer is normal.

WATER/MOISTURE/FROST OUTSIDE REFRIGERATOR

Moisture forms on outside of refrigerator or between doors.	Weather is humid. This is normal in humid weather. When humidity is lower, the moisture should disappear.
	Door is slightly open, causing cold air from inside refrigerator to meet warm air from outside. See Occurrence section OPENING/CLOSING OF DOORS/DRAWERS .

AUTOMATIC ICE MAKER (some models)

Ice maker is not making any ice.	Ice maker wire signal arm is in "up" or OFF position. Move wire signal arm to "down" or ON position.
	Household water line valve is not open. Turn on household water line valve.
	Freezer is not cold enough. See Occurrence section TEMPERATURES ARE TOO WARM .
	Saddle valve on cold water pipe is clogged or restricted by foreign material. Turn off household water line valve. Remove, clean or replace valve.
Ice maker is not making enough ice.	Ice maker is producing less ice than you expect. Ice maker should produce approximately 2-1/2 to 4 pounds of ice every 24 hours.
	Freezer is not cold enough. See Occurrence section TEMPERATURES ARE TOO WARM .
	Household water line valve is not completely open. Turn on household water line valve.
Ice maker will not stop making ice.	Ice maker wire arm is being held down by some item in freezer. Move item, and release arm. Remove any ice cubes frozen together over arm.
Ice maker is not separating the cubes.	Ice cubes are not being used frequently enough. Remove and shake ice bucket to separate cubes.
Ice has bad odor and taste.	Ice has picked up odor or flavor from strong food stored in refrigerator or freezer. Cover foods tightly. Discard stale ice. Ice maker will produce fresh supply.
	Water running to ice maker has poor taste or odor. Add filter to ice maker. Consult a water purifying company.

OCCURRENCE

SOLUTION

ICE DISPENSER

Dispenser will not dispense ice.

Ice storage bin is empty. When the first supply of ice is dropped into bin, dispenser should operate.

Freezer temperature is set too warm. Turn freezer control to a higher setting so that ice cubes will be made. When first supply of ice is made, dispenser should operate.

Household water line valve is not open. Open household water line valve, and allow sufficient time for ice to be made. When ice is made, dispenser should operate.

Freezer door is not closed. Be sure freezer door is closed.

Ice dispensing arm has been held in for more than 4-5 minutes. Motor is overloaded. Motor overload protector will reset in approximately 3 minutes. Ice can then be dispensed.

Ice dispenser is jammed.

Ice has melted and frozen around auger due to infrequent use, temperature fluctuations, and/or power outages. Remove ice storage bin, thaw, and empty the contents. Clean bin, wipe dry and replace in proper position. When new ice is made, dispenser should operate.

Ice cubes are jammed between ice maker arm and back of bin. Remove ice cubes that are jamming dispenser.

Ice cubes are frozen together. Use the dispenser often so that cubes do not freeze together.

WATER DISPENSER

Dispenser will not dispense water.

Household water line valve is not open. Open household water line valve. See Occurrence "Ice maker is not making any ice."

Freezer door is not closed. Be sure freezer door is closed.

Water has an odd taste and/or odor.

Water has been in the tank for a period of time. Draw and discard 7-8 glasses of water to freshen the supply. Draw and discard an additional 3-6 glasses to completely rinse out tank.

Unit not properly connected to cold water line. Connect unit to cold water line that supplies water to kitchen faucet.

Tubing used in the household water supply and installation of unit may affect water taste and odor. For best results, use copper tubing for water connection.

Water has a high mineral content. Contact water treatment plant for help.

Water pressure is extremely low.

Have someone turn up the cut-off and cut-on pressure on the water pump system.

ODORS IN REFRIGERATOR

Interior needs to be cleaned. Clean interior with sponge, warm water, and baking soda.

OPENING/CLOSING OF DOORS/DRAWERS

Food with strong odor is in refrigerator. Cover food tightly.

Door(s) will not close.

Door is not designed to swing shut automatically. Close door securely.

Door was closed too hard, causing other door to open slightly. Close both doors gently.

Refrigerator is not level. It rocks on the floor when it is moved slightly. Be sure floor is level and solid, and can adequately support refrigerator. Adjust rollers as needed.

Floor is uneven or weak. Refrigerator rocks on the floor when it is moved slightly. Be sure floor is level and can adequately support refrigerator. Contact carpenter to correct sagging or sloping floor.

Refrigerator is touching the wall or cabinets. Be sure floor is level, and can adequately support refrigerator. Contact carpenter to correct sagging or sloping floor.

Drawers are difficult to move.

Food is touching shelf on top of drawer. Keep less food in drawer.

Track that drawers slides on is dirty. Clean drawer, rollers, and track.

OCCURRENCE

SOLUTION

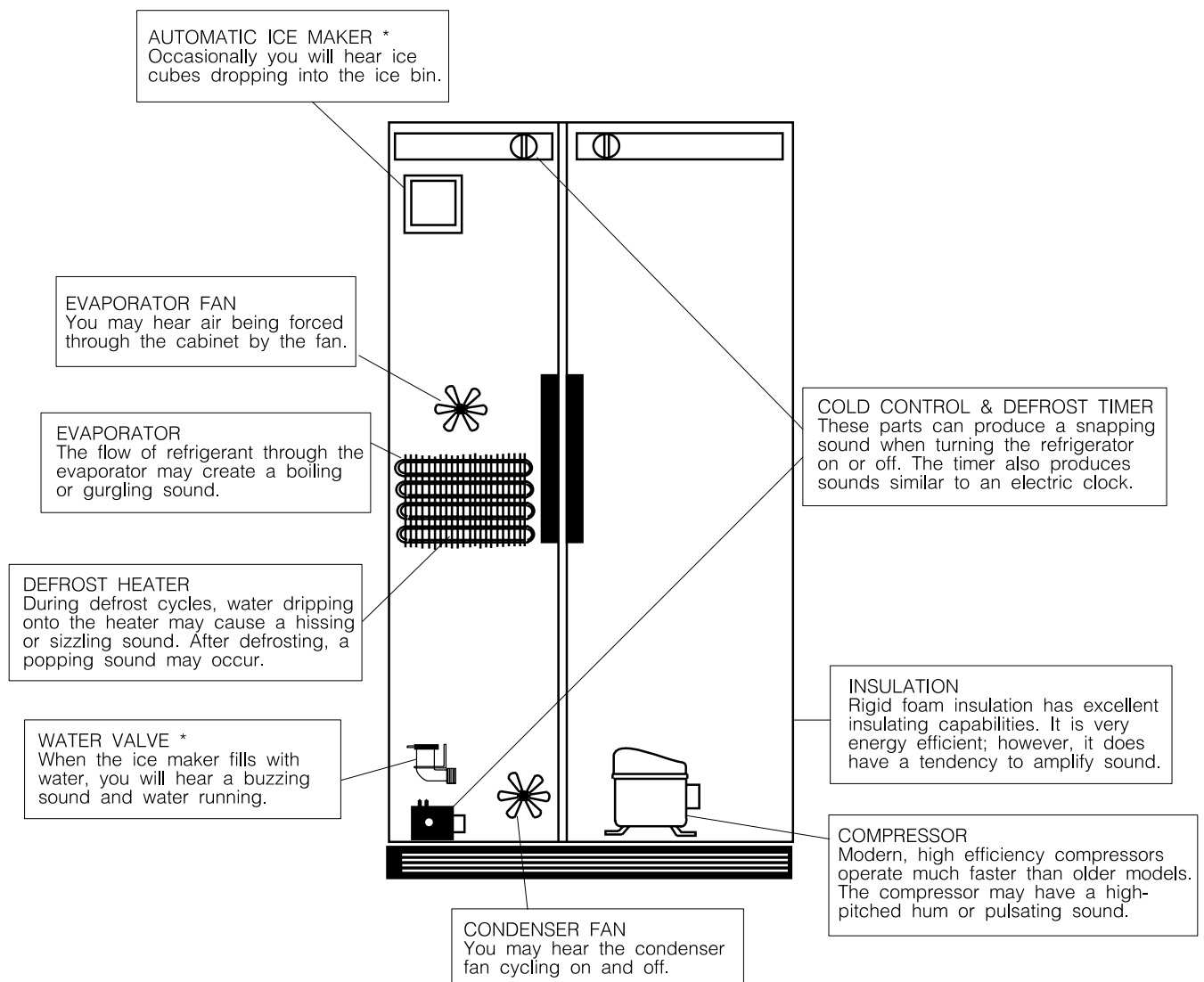
LIGHT BULB IS NOT ON

Light bulb is burned out. Replace bulb.

Light switch is stuck. Light switch is located on interior door frame next to the temperature control in each compartment. Push in plunger to release.

No electric current is reaching refrigerator. See Occurrence section **RUNNING OF REFRIGERATOR**.

Normal Operating Sounds



* On models equipped with an Automatic Ice Maker.

REFRIGERATOR WARRANTY

Your refrigerator is protected by this warranty

	WARRANTY PERIOD	THROUGH OUR AUTHORIZED SERVICERS, WE WILL:	THE CONSUMER WILL BE RESPONSIBLE FOR:
FULL ONE-YEAR WARRANTY	One year from original purchase date	Pay all costs for repairing or replacing any parts of this appliance which prove to be defective in materials or workmanship. Excludes original and replacement Ice & Water filter cartridges (if equipped). Original and replacement cartridges are warranted for 30 days (parts only).	Costs of service calls that are listed under NORMAL RESPONSIBILITIES OF THE CONSUMER. *
LIMITED 2ND-5TH YEAR WARRANTY (Cabinet Liner and Sealed System)	Second through fifth years from original purchase date	Repair or replace any parts in the cabinet liner or Sealed Refrigeration System (compressor, condenser, evaporator, drier and tubing) which prove to be defective in materials or workmanship.	Costs for pick up and delivery of the appliance required because of service. Costs for labor, parts and transportation other than with respect to the cabinet liner or Sealed Refrigeration System.
LIMITED WARRANTY (Applicable to the State of Alaska)	Time periods listed above.	All of the provisions of the full warranties above and the exclusions listed below apply.	Costs of the technician's travel to the home and any costs for pick up and delivery of the appliance required because of service.

ADDITIONAL COVERAGE FOR "THROUGH-THE-DOOR" ICE AND WATER DISPENSER AND/OR ICE ONLY DISPENSER MODELS:

	WARRANTY PERIOD	THROUGH OUR AUTHORIZED SERVICERS, WE WILL:	THE CONSUMER WILL BE RESPONSIBLE FOR:
FULL TWO-YEAR WARRANTY (Ice and Water Dispensing System)	During the second year from original purchase date.	Repair or replace, without charge, any part(s) of the ice and water dispensing system which proves to be defective in materials or workmanship, and all labor associated with such repair.	Costs for pick up and delivery of the appliance required because of service. Costs for labor, parts and transportation other than with respect to the ice and water dispensing system.

In the U.S.A., your appliance is warranted by Electrolux Home Products North America, a division of White Consolidated Industries, Inc. We authorize no person to change or add to any of our obligations under this warranty. Our obligations for service and parts under this warranty must be performed by us or an authorized Electrolux Home Products North America servicer. In Canada, your appliance is warranted by WCI Canada, Inc.

*NORMAL RESPONSIBILITIES OF THE CONSUMER

This warranty applies only to products in ordinary household use, and the consumer is responsible for the items listed below:

1. Proper use of the appliance in accordance with instructions provided with the product.
2. Proper installation by an authorized servicer in accordance with instructions provided with the appliance and in accordance with all local plumbing, electrical and/or gas codes.
3. Proper connection to a grounded power supply of sufficient voltage, replacement of blown fuses, repair of loose connections or defects in house wiring.
4. Expenses for making the appliance accessible for servicing, such as removal of trim, cupboards, shelves, etc., which are not a part of the appliance when it was shipped from the factory.
5. Damages to finish after installation.
6. Replacement of light bulbs and/or fluorescent tubes (on models with these features).

EXCLUSIONS

This warranty does not cover the following:

1. CONSEQUENTIAL OR INCIDENTAL DAMAGES SUCH AS PROPERTY DAMAGE AND INCIDENTAL EXPENSES RESULTING FROM ANY BREACH OF THIS WRITTEN OR ANY IMPLIED WARRANTY.
NOTE: Some states do not allow the exclusion or limitation of incidental or consequential damages, so this limitation or exclusion may not apply to you.
2. Service calls which do not involve malfunction or defects in workmanship or material, or for appliances not in ordinary household use. The consumer shall pay for such service calls.
3. Damages caused by services performed by servicers other than Electrolux Home Products North America or its authorized servicers; use of parts other than genuine Electrolux Home Products parts; obtained from persons other than such servicers; or external causes such as abuse, misuse, inadequate power supply or acts of God.
4. Products with original serial numbers that have been removed or altered and cannot be readily determined.

IF YOU NEED SERVICE

Keep your bill of sale, delivery slip, or some other appropriate payment record. The date on the bill establishes the warranty period should service be required. If service is performed, it is in your best interest to obtain and keep all receipts. This written warranty gives you specific legal rights. You may also have other rights that vary from state to state. Service under this warranty must be obtained by contacting Electrolux Home Products:

This warranty only applies in the 50 states of the U.S.A., Puerto Rico, and Canada. Product features or specifications as described or illustrated are subject to change without notice. All warranties are made by Electrolux Home Products North America, a division of White Consolidated Industries, Inc. In Canada, your appliance is warranted by WCI Canada, Inc.

01-U-RE-03 (Rev. 01/2001)

USA

800•944•9044

Electrolux Home Products North America
P.O. Box 212378
Augusta, GA 30917

Canada

866•213•9397

Electrolux Home Products North America
6150 McLaughlin Road
Mississauga, Ontario
L5R 4C2

Service Information (Canada)

To avoid unnecessary cost and inconvenience, make a few simple checks before calling for service. Common occurrences and their solutions can be found in the Avoid Service Checklist. Be sure you have followed the instructions in this manual.

If you are unable to locate the cause of a problem, call for service. Insist on factory service by an authorized ELECTROLUX PARTS AND SERVICE depot.

ELECTROLUX PARTS AND SERVICE

All Electrolux appliances are backed by ELECTROLUX PARTS AND SERVICE, one of Canada's largest parts and service networks.

The Electrolux reputation means you can enjoy complete professional service from one of our hundreds of trained technicians across the country.

ELECTROLUX PARTS AND SERVICE

6150 McLaughlin Road
Mississauga, Ontario
L5R 4C2

Place the name, address and telephone number of your service depot in the spaces below.

Product and feature specifications as described or illustrated are subject to change without notice.

