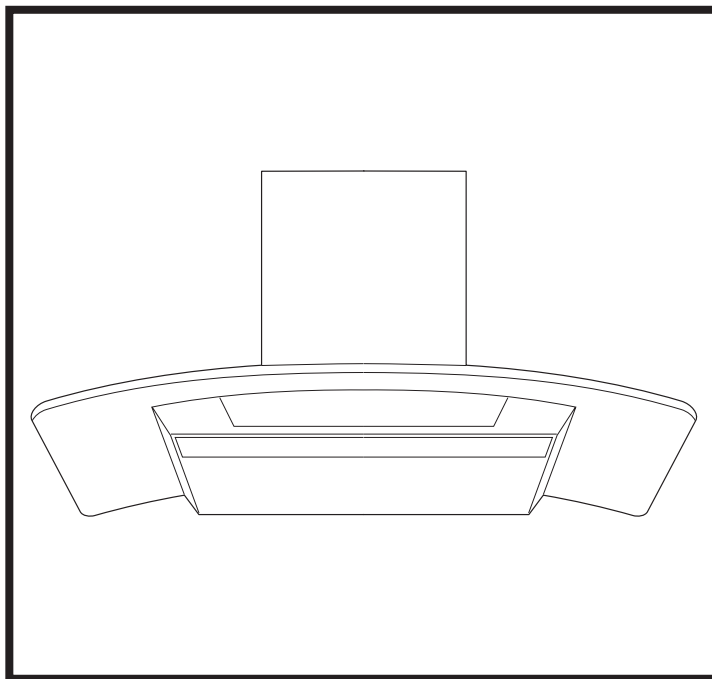


# FACTORY PARTS CATALOG

## RANGE HOOD

*Frigidaire*



| PRODUCT NO. | BASE MODEL NO. | MARKET        | COLOR           |
|-------------|----------------|---------------|-----------------|
| PLHV36W7KC  | PLHV36W7KC     | North America | stainless/glass |

WIRING DIAGRAM - # 5995360004  
OWNER'S GUIDE - # 316137201  
INSTALLATION INSTRUCTIONS - # 316137201

**RANGE HOOD**

**Model No.  
PLHV36W7K**

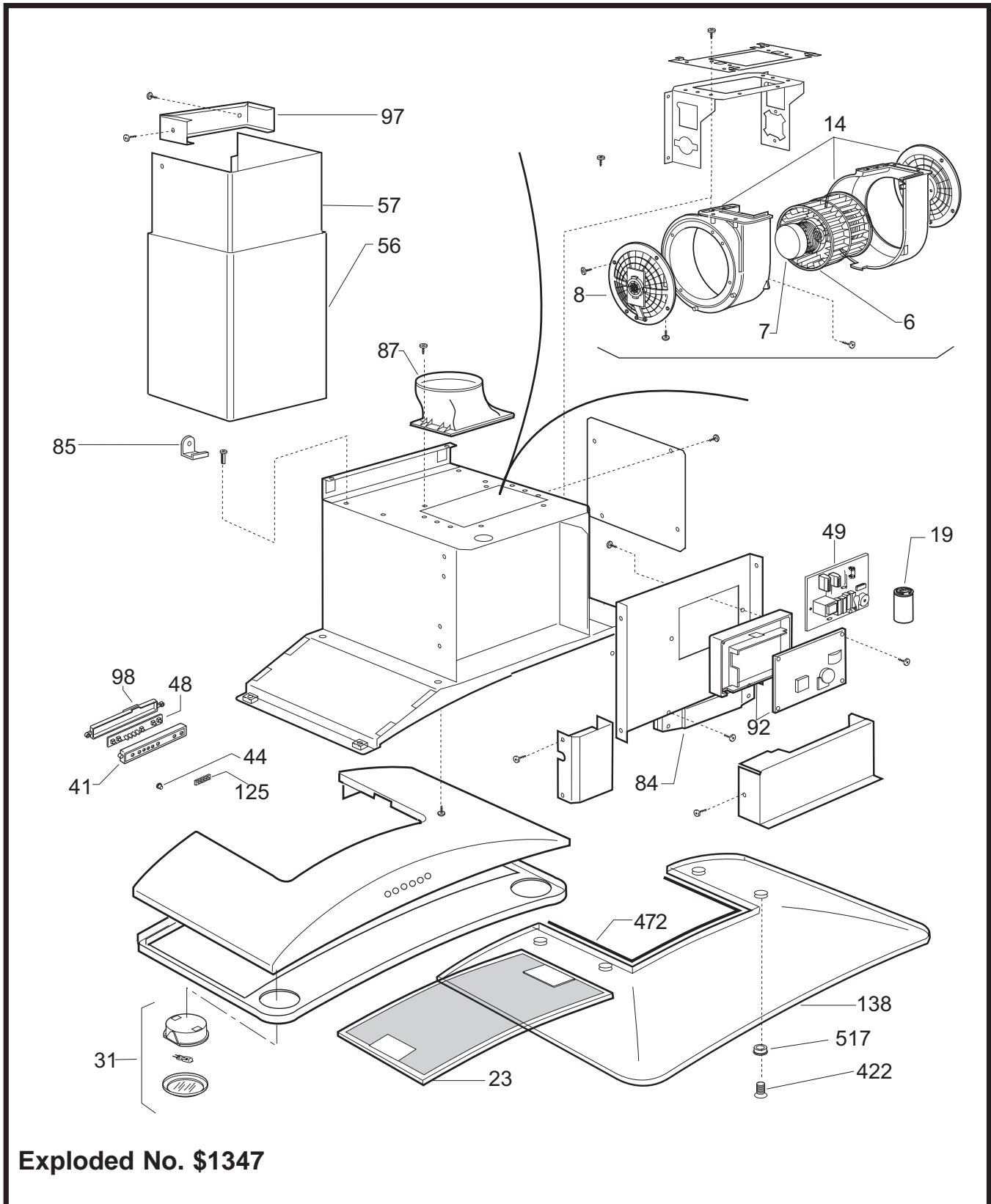
 **Electrolux**

ELECTROLUX HOME PRODUCTS NORTH AMERICA  
P.O. BOX 212378, Augusta, GA 30917

Publication No.  
5995360004  
011017  
-EN/SERVICE /KC  
099

©2001 White Consolidated Industries, Inc.  
All rights reserved

REPLACEMENT PARTS



## REPLACEMENT PARTS

| POS. NO | PART NO    | DESCRIPTION                                    |
|---------|------------|--|
| 6 #     | 5304425236 | Blower Wheel,fan                               |
| 7 #     | 5304425237 | Motor,blower fan                               |
| 8       | 5304425238 | Support,motor                                  |
| 14      | 5304425239 | Housing,blower fan                             |
| 19 #    | 5304425240 | Capacitor                                      |
| 23 #    | 5304425264 | Filter,range hood ,framed grid                 |
| 31 #    | 5304425265 | Lamp,G-4 ,20 W ,12 V ,with holder              |
| 41      | 5304425266 | Panel,control                                  |
| 44      | 5304425267 | Button,control                                 |
| 48 #    | 5304425268 | Switch,control circuit                         |
| 49 #    | 5304425269 | Control,printed circuit ,pcb                   |
| 56      | 5304425270 | Chimney,exhaust duct ,lower extension ,fixed   |
| 57      | 5304425271 | Chimney,exhaust duct ,upper extension ,sliding |
| 84 #    | 5304425272 | Ballast,lamp ,transformer                      |
| 85      | 5304425273 | Bracket,hood support ,rear ,U-hook             |
| 87      | 5304425254 | Duct,air exhaust ,connector                    |
| 92      | 5304425274 | Control Box                                    |
| 97      | 5304425275 | Bracket,chimney support ,rear                  |
| 98      | 5304425276 | Cover,switch                                   |
| 125     | 5304425277 | Cover,plaque ,glass                            |
| 138     | 5304425278 | Canopy,glass                                   |
| 422     | 5304425280 | Screw,canopy mtg ,M6 x 20 ,glass clamping      |
| 472     | 5304425281 | Gasket,canopy seal ,rubber                     |
| 517     | 5304425282 | Washer,hood mtg screw                          |
| *       | 218395401  | Nameplate                                      |

WIRING DIAGRAM

Electrical scheme SE052A

