



# Portable Room Air Conditioner

*Safety Instructions* .....2, 3

***Operating Instructions***

About the Controls  
on the Air Conditioner .....4, 5  
Drain Hose .....6  
Remote Control .....4-6  
Water Bucket .....6

***Care and Cleaning***

Air Filter .....7  
Cleaning the Coil .....7  
Grille and Case .....7  
Water Bucket .....7

***Installation Instructions*** .....8-13

***Troubleshooting Tips*** .....14

***Consumer Support***

Consumer Support .....16  
Warranty .....15

**Owner's Manual and  
Installation Instructions**

APE08

**Write the model and serial  
numbers here:**

**Model #** \_\_\_\_\_

**Serial #** \_\_\_\_\_

You can find them on a label on  
the back of the air conditioner.



# IMPORTANT SAFETY INFORMATION. READ ALL INSTRUCTIONS BEFORE USING.

## **WARNING!**

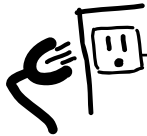
For your safety, the information in this manual must be followed to minimize the risk of fire, electric shock or personal injury.



## SAFETY PRECAUTIONS

When using this portable air conditioner, always follow basic safety precautions, including the following:

- Use this appliance only for its intended purpose as described in this Owner's Manual.
- **This portable air conditioner must be properly installed as described in this manual before it is used.**
- Never unplug your portable air conditioner by pulling on the power cord. Always grip plug firmly and pull straight out from the receptacle.
- **Replace immediately all electric service cords** that have become frayed or otherwise damaged. A damaged power supply cord must be replaced with a new power supply cord obtained from the manufacturer and not repaired. Do not use a cord that shows cracks or abrasion damage along its length or at either the plug or connector end.
- Turn the portable air conditioner **OFF** and unplug it before cleaning.
- GE does not support any servicing of the air conditioner. We strongly recommend that you do not attempt to service the air conditioner yourself.
- For your safety, do not store or use combustible materials, gasoline or other flammable vapors or liquids in the vicinity of this or any other appliance.
- All air conditioners contain refrigerants, which under federal law must be removed prior to product disposal. If you are getting rid of an old product with refrigerants, check with the company handling disposal about what to do.



## HOW TO CONNECT ELECTRICITY

*Do not, under any circumstances, cut or remove the third (ground) prong from the power cord. For personal safety, this appliance must be properly grounded.*

Use a 15 amp time delay fuse or circuit breaker.

The power cord of this appliance is equipped with a 3-prong (grounding) plug which mates with a standard 3-prong (grounding) wall outlet to minimize the possibility of electric shock hazard from this appliance.

Power cord includes a current interrupter device. A test and reset button is provided on the plug case. The device should be tested on a periodic basis by first touching the **TEST** button and then the **RESET** button. If the **TEST** button does not trip or if the **RESET** button will not stay engaged, discontinue use of the air conditioner and contact a qualified service technician.

Have the wall outlet and circuit checked by a qualified electrician to make sure the outlet is properly grounded.

Where a 2-prong wall outlet is encountered, it is your personal responsibility and obligation to have it replaced with a properly grounded 3-prong wall outlet.

The air conditioner should always be plugged into its own individual electrical outlet, which has a voltage rating matching the rating plate.

This provides the best performance and also prevents overloading house wiring circuits, which could cause a fire hazard from overheated wires.



## USE OF EXTENSION CORDS

*Because of potential safety hazards under certain conditions, we strongly recommend against the use of an extension cord.*

However, if you must use an extension cord, it is absolutely necessary that it be a UL-listed, 14 gauge, 3-wire grounding type appliance extension cord having a grounding type plug and outlet and that the electrical rating of the cord be 15 amperes (minimum) and 125 volts.



## USE OF ADAPTER PLUGS

*Because of potential safety hazards under certain conditions, we strongly recommend against the use of an adapter plug.*

However, if you must use an adapter, where local codes permit, a **temporary connection** may be made to a properly grounded 2-prong wall outlet by use of a UL-listed adapter available at most local hardware stores.

The larger slot in the adapter must be aligned with the larger slot in the wall outlet to provide proper polarity in the connection of the power cord.

When disconnecting the power cord from the adapter, always hold the adapter in place with one hand while pulling the power cord plug with the other hand. If this is not done, the adapter ground terminal is very likely to break with repeated use.

If the adapter ground terminal breaks, **DO NOT USE** the air conditioner until a proper ground has been established.

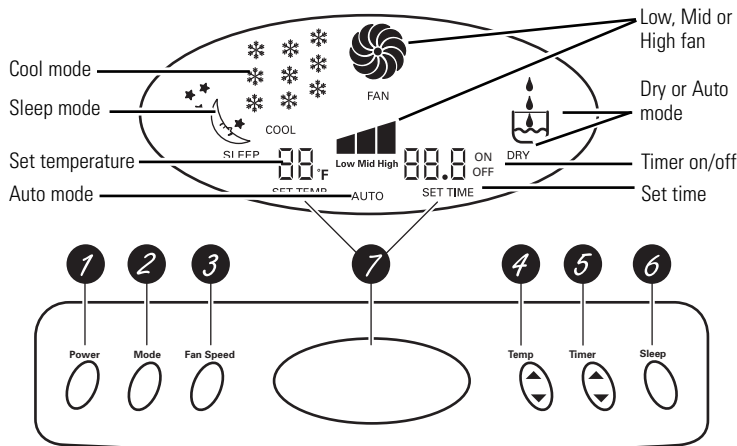
*Attaching the adapter ground terminal to a wall outlet cover screw does not ground the appliance unless the cover screw is metal, not insulated, and the wall outlet is grounded through the house wiring. You should have the circuit checked by a qualified electrician to make sure the outlet is properly grounded.*



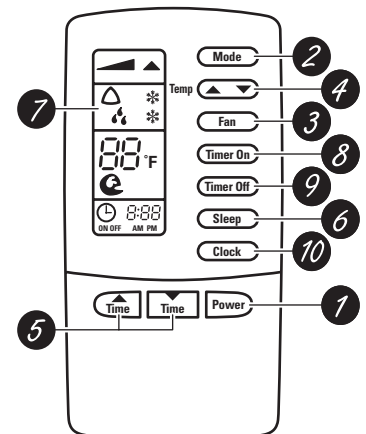
**READ AND FOLLOW THIS SAFETY INFORMATION CAREFULLY.  
SAVE THESE INSTRUCTIONS**

# About the controls on the air conditioner.

Appearance and features may vary.



## Air Conditioner Display and Controls



## Remote Control

### Controls



- 1 Power Pad**  
Turns the air conditioner on and off. (After installing batteries in the remote control, touch **Power** to operate air conditioner settings.)
- 2 Mode**  
Use to set the air conditioner to **FAN**, **COOL**, **DRY** and **AUTO** mode.  
**NOTE:** If you have a Cool only model, heat settings will not be active on your model even though **HEAT** appears in the remote control display.
- 3 Fan Speed Pad**  
Use to set the fan speed to **LOW**, **MID** or **HIGH**.
- 4 Temp Increase ▲ /Decrease ▼ Pads**  
Use to set temperature when in **COOL** mode.
- 5 Timer Increase ▲ /Decrease ▼ Pads**  
**ON**—When the air conditioner is off, it can be set to automatically come on in 1/2–24 hours (or 1/2–18 hours if setting with the remote control) at its previous setting. Touch the **Timer Increase ▲ /Decrease ▼** pads to set the timer in increments.  
**OFF**—When the air conditioner is on, it can be set to automatically turn off in 1/2–24 hours. Touch the **Timer Increase ▲ /Decrease ▼** pads to set the timer in increments.  
**To cancel the timer**, touch the **Timer Increase ▲ /Decrease ▼** pads until the display does not show a time.
- 6 Sleep**  
Touch to set the air conditioner to run for 1/2 to 24 hours (or 1–7 hours if setting with the remote control) before it automatically shuts off. Touch the **Timer Increase ▲ /Decrease ▼** pads to set the timer in increments.  
After the sleep timer is set, the set temperature will automatically increase in intervals to provide a comfortable sleeping temperature.  
**To cancel the sleep mode**, touch the **Sleep** pad a second time or touch the **Timer Increase ▲ /Decrease ▼** pads until the display does not show a time.  
**NOTE:** The sleep timer will be cancelled if the air conditioner is turned off or the **Timer ON** pad is touched on the remote control.
- 7 Display**  
Shows the selected mode, fan speed, set temperature or time remaining on timer. The display will also show **E4** and the unit will signal when the water bucket is full. The dehumidification (**DRY** or **COOL** mode) process will stop but the fan motor will continue to operate.
- 8 Timer On**  
Use on the remote control to turn the **Timer** on. Then use the **Time Increase ▲ /Decrease ▼** pads to set the timer in increments. Touch **Timer On** again to send time setting to unit.
- 9 Timer Off**  
Use on the remote control to turn the **Timer** off.
- 10 Clock**  
Use to set the time of day on the remote control display. Touch **Clock** pad and then the **Time Increase ▲ /Decrease ▼** pads to set. Touch **Clock** again to activate.

*When the air conditioner is turned on, it will automatically start in the default setting.*

### Remote Control

- To ensure proper operation, aim the remote control at the signal receiver on the air conditioner.
- The remote control signal has a range of up to 21 feet.
- Make sure nothing is between the air conditioner and the remote control that could block the signal.
- Make sure batteries are fresh and installed correctly—see the *Using the portable air conditioner* section.

### FAN Mode

Use the **FAN** at **HIGH**, **MID** or **LOW** to provide air circulation and filtering without cooling. Since fan only settings do not provide cooling, a temperature setting will not be displayed.

### COOL Mode

Use the **COOL** mode with **HIGH**, **MID** or **LOW** fan for cooling. Use the **Temp INCREASE ▲ /DECREASE ▼** pads to set the desired temperature between 61°F and 86°F in 1°F increments.

A thermostat is used to maintain the room temperature. The compressor will cycle on and off to keep the room at the set level of comfort. Set the thermostat at a lower number and the indoor air will become cooler. Set the thermostat at a higher number and the indoor air will become warmer.

**NOTE:** *If the air conditioner is off and is then turned on while set to a **Cool** setting or if turned from a fan setting to a **Cool** setting, it will take approximately 3 minutes for the compressor to start and cooling to begin.*

#### Cooling Descriptions

**For Normal Cooling**—Select the **COOL** mode and **HIGH** or **MID** fan with a middle set temperature.

**For Maximum Cooling**—Select the **COOL** mode and **HIGH** fan with a lower set temperature.

**For Quieter & Nighttime Cooling**—Select the **COOL** mode and **LOW** fan with a middle set temperature.

**NOTE:** *If you switch from a **COOL** setting to **OFF** or to a fan setting, wait at least 3 minutes before switching back to a **COOL** setting.*

### DRY Mode

Use the **DRY** mode to provide dehumidification only. The fan will run at a low fixed speed at this setting. Keep windows and doors closed for the best dehumidifying effects. When using the **DRY** mode, detach the exhaust hose from the unit and remove the window slider or seal the opening in the window exhaust adapter.

#### NOTES:

If you switch from a **DRY** setting to **OFF** or to a fan setting, wait at least 3 minutes before switching back to a **DRY** setting.

The compressor runs in this mode.

### AUTO Mode

Set to **AUTO** for the temperature and fan speed to automatically provide optimum comfort settings.

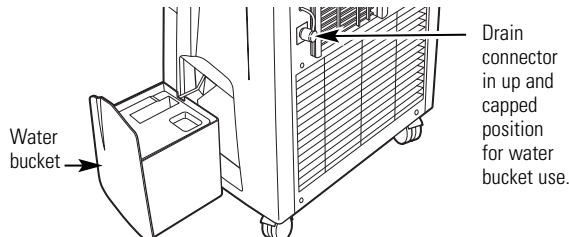
**NOTE:** ***DRY** will also appear in the display when using the **AUTO** mode.*

## Using the portable air conditioner.

Always make sure the water bucket is locked into place on the portable air conditioner.

### Using the Water Bucket

Make sure the drain connector is capped and in the up position. When the bucket is removed, the unit will shut off. Empty and replace the bucket, making sure that it is fully seated in the unit.



**IMPORTANT:** When using the water bucket to remove collected water, make sure that the drain connector is in the up position and that it is capped. If it is not in the up position water will drain from the connector onto the floor.

When the water bucket is full, a signal will beep and the display will show **E4** until the water bucket has been emptied.

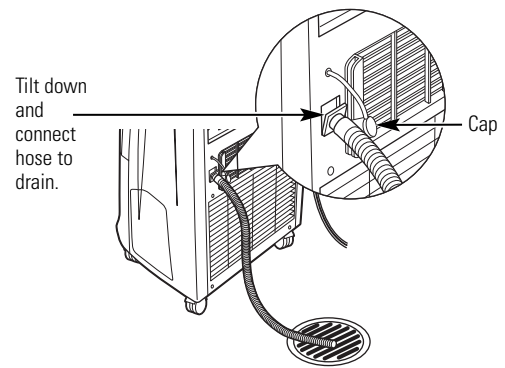
**NOTE:** The fan will continue to operate even when the water bucket is full. However, the **Cooling** or **Dry** mode will not work until the water bucket has been emptied and replaced correctly.

To empty the water bucket before it is full, turn the unit off and wait for three minutes for all water to collect into the bucket.

### Using the Drain Hose

Water can be automatically emptied into a floor drain by uncapping the drain connector, tilting it down and connecting the drain hose. Route the drain hose straight to a floor drain.

**IMPORTANT:** When the drain connector is tilted down the water will drain through the connector. Make sure the hose is connected and that it is led straight to a floor drain. Never tilt the drain connector down with it capped because draining water will cause the unit to malfunction.



When tilting the drain connector down, always uncaps it, attach the drain hose and lead it straight to a floor drain.

### How to Insert the Batteries in the Remote Control

- 1 Remove the battery cover by sliding it according to the arrow direction.
- 2 Insert new batteries, making sure that the (+) and (-) of battery are installed correctly.
- 3 Reattach the cover by sliding it back into position.

#### NOTES:

- Use 2 “AAA” (1.5 volt) alkaline batteries. Do not use rechargeable batteries.
- Remove the batteries from the remote control if the system is not going to be used for a long time.

# Care and cleaning of the air conditioner.

ge.com

Turn the air conditioner off and remove the plug from the wall outlet before cleaning.

## Grille and Case

### To clean the case:

Use water and a mild detergent. Do not use bleach or abrasives.

### To clean the front grille:

Use a vacuum attachment or brush.

## Air Filter

The air filter is on the back of the air conditioner. **It should be checked and cleaned at least every 30 days or more often if necessary.**

**NOTE:** DO NOT rinse or put the filter in an automatic dishwasher.

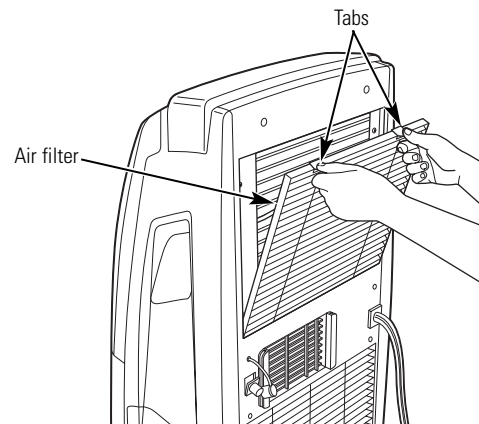
**CAUTION:** DO NOT operate the air conditioner without the filter because dirt and lint will clog it and reduce performance.

### To remove:

Pinch the two filter cover tabs and pull the filter cover out and off. Remove the filter from the cover. Wash it in warm soapy water. Rinse and let the filter dry before replacing it.

### To replace:

Hook the filter back onto the filter cover. Place the bottom of the filter cover onto the lower edge of the filter compartment and close it.

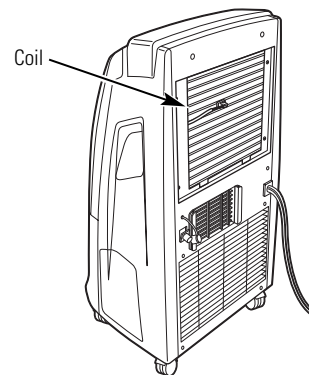


## Cleaning the Coil

After removing the air filter cover, clean the coil with a soft brush when the soil is soft and wet.

**NOTE:** Do not allow water to enter the electrical/machine compartment through the circular opening behind the coil.

**Do not spray the coil with a hose.**



## Water Bucket

Every few weeks, rinse the inside of the water bucket with a mild detergent to prevent growth of mold, mildew and bacteria.

**NOTE:** DO NOT rinse or put the water bucket in an automatic dishwasher.



Safety Instructions

Operating Instructions

Care and Cleaning

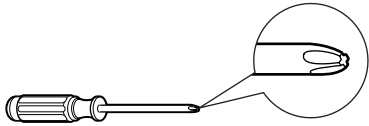
Troubleshooting Tips

Consumer Support

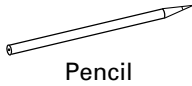


# Installation Instructions

## TOOLS YOU WILL NEED



Phillips head screwdriver



Pencil

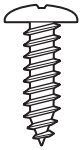


Scissors or knife

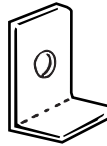
## PARTS YOU WILL NEED

- Wood filler strip and wood screws (for double-hung windows, to match inner width of window and inner height of window stool)

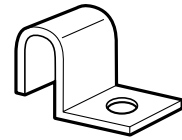
## PARTS INCLUDED



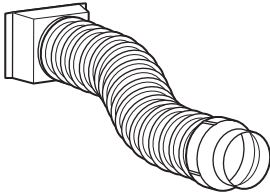
Large Wood Screw (4)



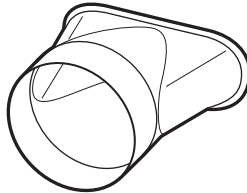
Window Locking Bracket



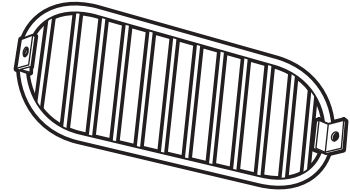
Window Slider Bracket (2)



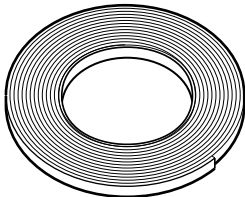
Flexible Exhaust Hose



Window Exhaust Adapter



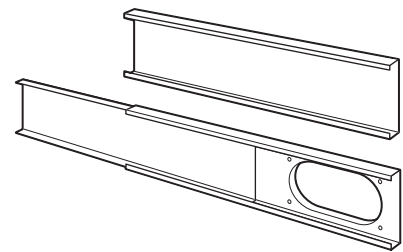
Protective Screen



Foam Seal

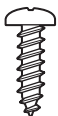
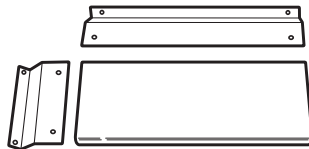


Window Seal (2)



Adjustable Window Slider  
(2 for Normal Window Opening,  
3 for Long Window Opening)

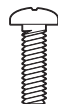
Rain Deflector Assembly



Small Wood Screw (4)



Washer (4)



Bolt (4)



Nut (4)



Split-Ring Washer (4)

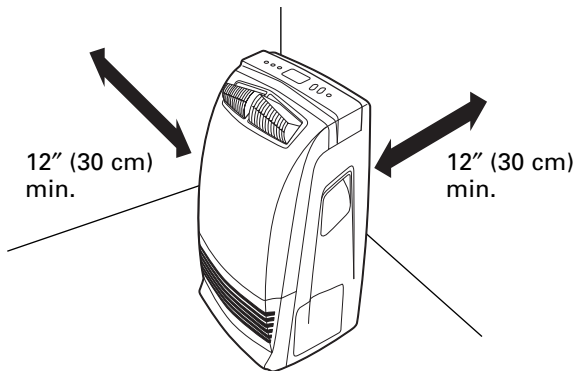


# Installation Instructions

Power cord includes a current interrupter device. A test and reset button is provided on the plug case. The device should be tested on a periodic basis by first pressing the **TEST** button and then the **RESET** button. If the **TEST** button does not trip or if the **RESET** button will not stay engaged, discontinue use of the air conditioner and contact a qualified service technician.

## 1 CHOOSE A LOCATION

- Place the air conditioner on a smooth, level floor strong enough to support the unit with a full bucket of water.
- Allow at least 12 inches (30 cm) of air space on all sides of the unit for good air circulation.

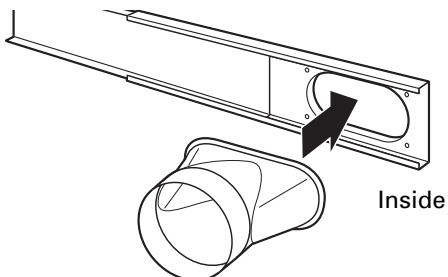


- Place the unit in an area where the temperature will not fall below 65°F (18°C). The coils can become covered with frost at temperatures below 65°F, which may reduce performance.

**NOTE:** The portable air conditioner has rollers to aid placement, but it should only be rolled on smooth, flat surfaces. Do not attempt to roll the portable air conditioner on carpet or over objects.

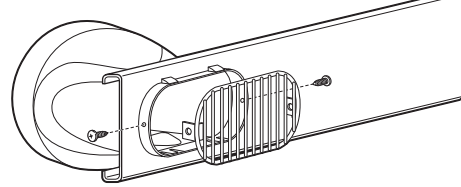
## 2 ATTACH EXHAUST ADAPTER TO WINDOW SLIDER INSIDE OPENING

- Snap the exhaust adapter into the inside opening of the window slider.



## 3 ATTACH PROTECTIVE SCREEN TO OUTSIDE OF EXHAUST ADAPTER

- Use two small wood screws on each side to attach the protective screen onto the outside of the exhaust adapter.



## 4 INSTALL RAIN DEFLECTOR TO OUTSIDE OF ADJUSTABLE WINDOW SLIDER

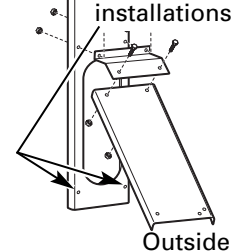
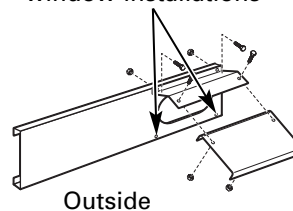
- Remove the appropriate plugs (save for future use) from the window slider and rain deflector to prepare for either a double-hung window installation or a slider window installation. Line up the holes on the rain deflector and the window slider. Use the four bolts, splitting washers and nuts to attach the rain deflector onto the window slider.

Double-Hung Window Installation

Slider Window Installation

Leave these two bolts in place for double-hung window installations

Leave these two plugs in place for sliding window installations

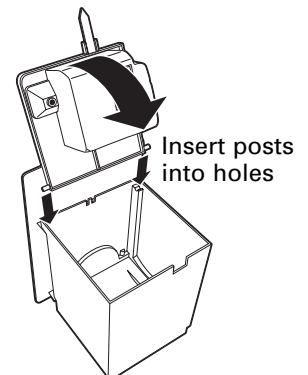


## 5 INSTALL WATER BUCKET COVER

- A** Remove the shipping tape from the side of the unit and remove the water bucket.

- B** Pull the cover from the bucket and install it by inserting its posts into the holes.

- C** Close the cover and insert bucket into unit.



# Installation Instructions

Instructions for installing the window slider in a double-hung window. If you have a sliding window, see instructions on pages 12 and 13.

## 6 INSTALL WINDOW SLIDER IN WINDOW

- A** To allow the window to close properly around the adjustable window slider, for inclined window sill, attach a piece of wood to the sill at the back of the window stool. **NOTE:** For a flat sill, no wood is needed.

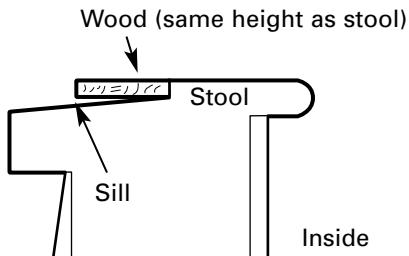
### WOOD PIECE—

**WIDTH:** 1"

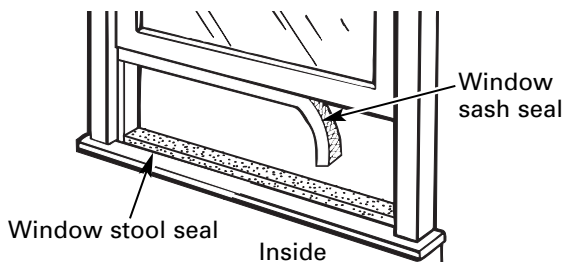
**LENGTH:** Long enough to fit inside the window frame.

**THICKNESS:** To determine the thickness, place a piece of wood on the sill behind the window stool to make it the same height as the stool.

Attach securely with nails or screws provided by the installer.

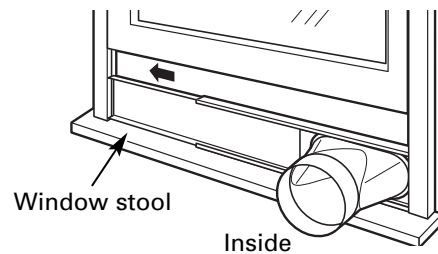
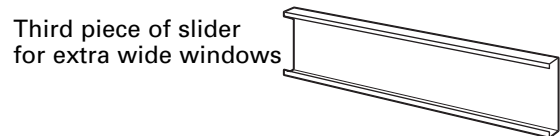


- B** Cut the window sash seal (adhesive-backed) to the window width and stick the adhesive side to the bottom of the sash. Cut the window stool seal (non-adhesive backed) to the window width and place on the window stool.

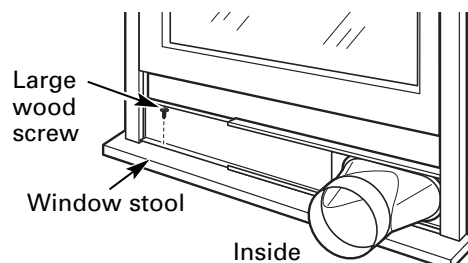


- C** If the window slider is shorter than the width of the window, pull the sliding arm out to the width of the window. If the window slider is longer than the width of the window, cut the slider arm to the width of the window.

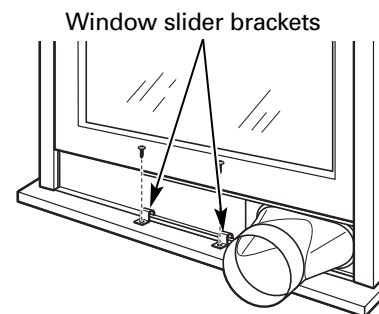
If the two-piece window slider is too short for the width of the window, attach and use the third piece of the slider.



- D** Attach the slider to the stool through one of its holes using a large wood screw.



- E** Pull the window down against the top of the window slider.



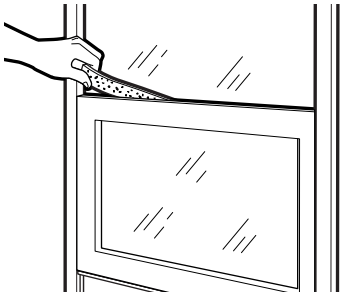
- F** Hook the two window slider brackets over the bottom edge of the window slider and attach to the window stool using two large wood screws.

# Installation Instructions

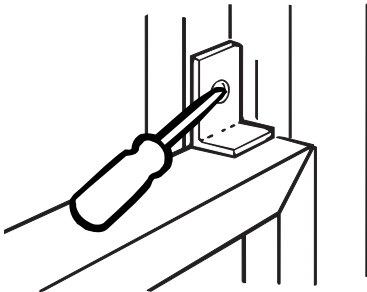
## 7 INSTALL TOP WINDOW GASKET AND WINDOW LOCKING BRACKET

- A** Cut the foam top window gasket to the window width.

Stuff the foam between the glass and the window to prevent air and insects from getting into the room.

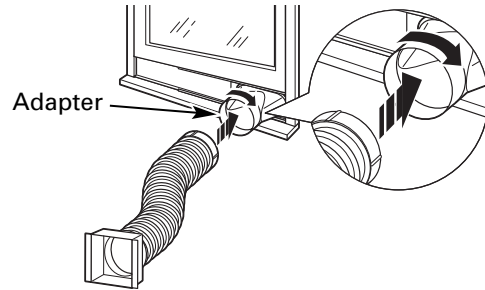


- B** Attach the window locking bracket with one large wood screw.

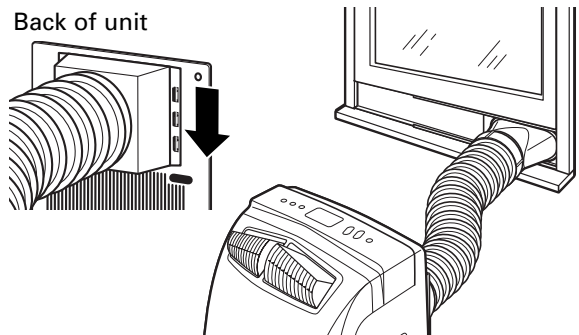


## 8 ATTACH EXHAUST HOSE

- A** Insert the round end of the exhaust hose into the exhaust adapter in the window slider and turn it to lock it in place.



- B**
- The exhaust hose must be properly installed to the back of the unit and to the exhaust adapter, and exhausted to the outside when using the unit in the **COOL** mode by sliding it down in position.
  - Attach the unit end of the exhaust hose to the back of the air conditioner.



- I** **IMPORTANT:** To ensure proper cooling, do not kink, pinch, shorten or lengthen the exhaust hose. The minimum length of the exhaust hose is 20" (50 cm) and the maximum length of the exhaust hose is 78" (200 cm).



An excessive number of bends in the exhaust hose may compromise the cooling performance.

# Installation Instructions

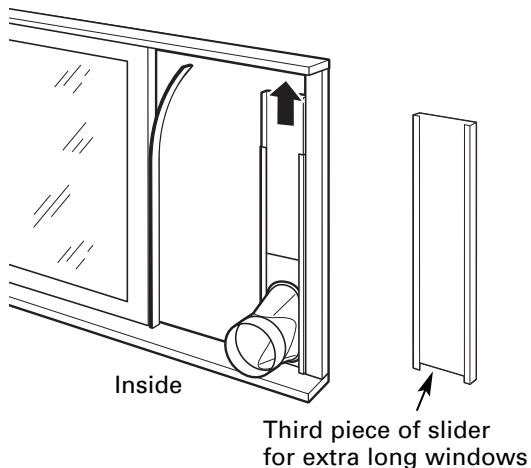
Instructions for installing the window slider in a sliding window. If you have a double-hung window, see instructions on pages 10 and 11.

## 6 INSTALL WINDOW SLIDER IN WINDOW

**A** If the window slider is shorter than the height of the window, pull the sliding arm out to the height of the window.

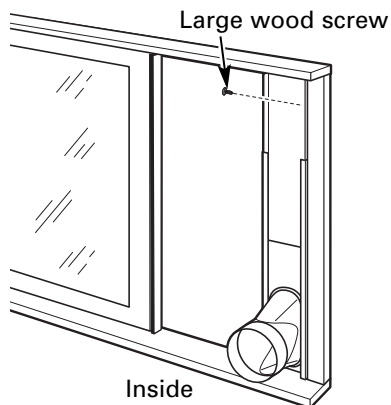
If the window slider is longer than the height of the window, cut the slider arm to the height of the window.

If the two-piece window slider is too short for the height of the window, attach and use the third piece of the slider.



**B** Cut the window seal (adhesive-backed) to the window height and stick the adhesive side to the inner window sliding face, as shown above.

**C** Attach the top of the slider to the window face using a large wood screw through one of its holes.

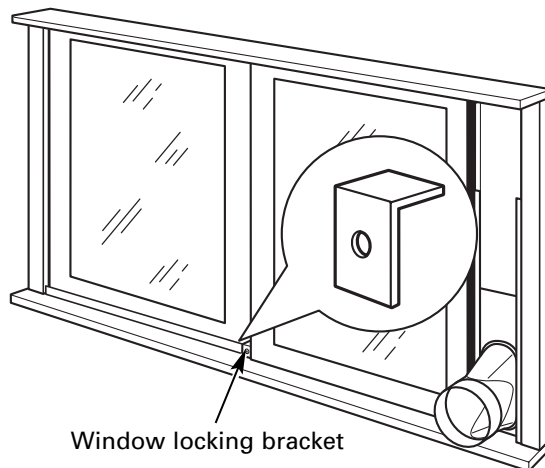


**D** Slide the window against the edge of the window slider.

**E** If applicable, hook the two window slider brackets over the side edge of the window slider and attach to the inner window sliding face using two large wood screws.

## 7 INSTALL WINDOW LOCKING BRACKET

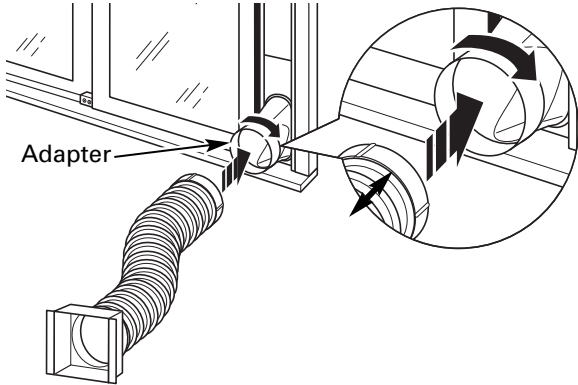
Attach the window locking bracket with one large wood screw.



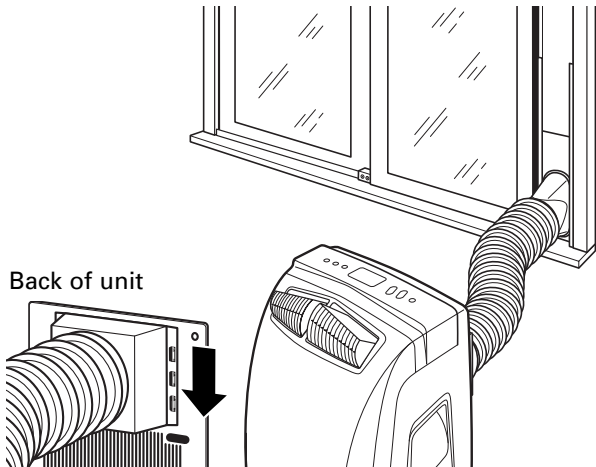
# Installation Instructions

## 8 ATTACH EXHAUST HOSE TO WINDOW SLIDER

- A** Insert the round end of the exhaust hose into the exhaust adapter in the window slider and turn it to lock it in place.

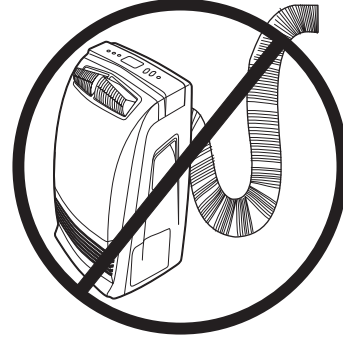


- B**
- The exhaust hose must be properly installed to the back of the unit and to the exhaust adapter, and exhausted to the outside when using the unit in the **COOL** mode by sliding it down in position.
  - Attach the unit end of the exhaust hose to the back of the air conditioner.



## 8 ATTACH EXHAUST HOSE TO WINDOW SLIDER (CONT.)

- I** **IMPORTANT:** To ensure proper cooling, do not kink, pinch, shorten or lengthen the exhaust hose. The minimum length of the exhaust hose is 20" (50 cm) and the maximum length of the exhaust hose is 78" (200 cm).



An excessive number of bends in the exhaust hose may compromise the cooling performance.

## Troubleshooting Tips...



Save time and money!

| <b>Problem</b>   | <b>Possible Causes</b>   | <b>What To Do</b>  |
|--|--|--|
| <b>E4 appears in the display</b>                       | Water bucket is full or not installed correctly.                               | <ul style="list-style-type: none"> <li>Remove, empty and replace the water bucket. See the <i>Using the Water Bucket</i> section and the Installation Instructions in this manual.</li> </ul>  |
|  | Water bucket was removed while unit was operating.                             | <ul style="list-style-type: none"> <li>Replace the water bucket. See the <i>Using the Water Bucket</i> section. <b>NOTE:</b> Replace the water bucket immediately after emptying it to catch any condensation which may continue to accumulate.</li> </ul>   |
| <b>"HEAT" mode is selected but unit does not heat</b>  | If you have a Cool only model, heat settings will not be active on your model. | <ul style="list-style-type: none"> <li>Set the unit to <b>AUTO, COOL, DRY</b> or <b>FAN</b> mode. <b>HEAT</b> mode is not available and will not operate on cool only models.</li> </ul>   |
| <b>Air conditioner does not start</b>                  | The air conditioner is unplugged.  | <ul style="list-style-type: none"> <li>Make sure the air conditioner plug is pushed completely into the outlet.</li> </ul>   |
|  | The fuse is blown/circuit breaker is tripped.                                  | <ul style="list-style-type: none"> <li>Check the house fuse/circuit breaker box and replace the fuse or reset the breaker.</li> </ul>  |
|  | Power failure.   | <ul style="list-style-type: none"> <li>If a power failure occurs, turn the air conditioner <b>OFF</b>. When power is restored, wait 3 minutes to restart the air conditioner to prevent tripping of the compressor overload.</li> </ul>  |
|  | The current interrupter device is tripped.                                     | <ul style="list-style-type: none"> <li>Press the <b>RESET</b> button located on the power cord plug.</li> <li>If the <b>RESET</b> button will not stay engaged, discontinue use of the air conditioner and contact a qualified service technician.</li> </ul>  |
| <b>Air conditioner has stopped running</b>             | The remote control is not working.   | <ul style="list-style-type: none"> <li>Try operating the control on the unit. See <i>The remote control is not working</i> below.</li> </ul>   |
|  | Power interruption or power failure occurred.                                  | <ul style="list-style-type: none"> <li>When the power is restored, wait 3 minutes to restart the air conditioner to prevent tripping of the compressor overload. Touch the <b>Power</b> pad and reset the controls to the desired settings.</li> </ul>   |
| <b>Air conditioner does not cool as it should</b>      | <b>Sleep mode or the Timer Off pad has turned off the air conditioner.</b>     | <ul style="list-style-type: none"> <li>Set the air conditioner to the desired setting.</li> </ul>  |
|  | Airflow is restricted.   | <ul style="list-style-type: none"> <li>Make sure there are no curtains, blinds or furniture blocking the inlets located on the left and rear sides of the air conditioner. Make sure there are at least 12" of space on all sides of the unit. Make sure airflow through the vent exhaust is not blocked.</li> </ul> |
|  | The temp control may not be set correctly.                                     | <ul style="list-style-type: none"> <li>In <b>COOL</b> mode, touch the <b>Temp Decrease ▼</b> pad.</li> </ul>   |
|  | The air filter is dirty.   | <ul style="list-style-type: none"> <li>Clean the filter at least every 30 days. See the <i>Care and cleaning</i> section.</li> </ul>   |
| <b>Air conditioner freezing up</b>                     | The room may have been hot.  | <ul style="list-style-type: none"> <li>When the air conditioner is first turned on, you need to allow time for the room to cool down.</li> </ul>   |
|  | Cooling coils have iced up.  | <ul style="list-style-type: none"> <li>See "<b>Air conditioner freezing up</b>" below.</li> </ul>  |
|  | Ice blocks the airflow and stops the air conditioner from cooling the room.    | <ul style="list-style-type: none"> <li>The air conditioner will defrost and return to operation on its own.</li> <li>To defrost the air conditioner more quickly, select the <b>COOL</b> mode and <b>HIGH</b> fan and set the thermostat to a higher temperature.</li> </ul>   |
| <b>The remote control is not working</b>               | The batteries are inserted incorrectly.  | <ul style="list-style-type: none"> <li>Check the position of the batteries. They should be inserted in the opposite (+) and (-) direction.</li> </ul>  |
|  | The batteries may be dead.   | <ul style="list-style-type: none"> <li>Replace the batteries.</li> </ul>   |
|  | The remote control is too far from the air conditioner.                        | <ul style="list-style-type: none"> <li>Operate the remote control closer to the air conditioner.</li> </ul>  |
|  | An object, such as furniture or a towel, is blocking the signal.               | <ul style="list-style-type: none"> <li>Remove the object.</li> </ul>   |
| <b>Unit does not work after pressing the Power pad</b> | The water bucket is full or the water bucket is not properly installed.        | <ul style="list-style-type: none"> <li>Remove water from the water bucket and push the water bucket back in place.</li> </ul>  |
| <b>Noise or vibration</b>                              | The floor is not level.  | <ul style="list-style-type: none"> <li>Place unit on a flat, level surface.</li> </ul>   |

# GE Air Conditioner Warranty—One Year Limited Warranty.



Staple your receipt here.  
Proof of the original purchase date is  
needed to make a warranty claim.

## For The Period Of: We Will Replace:

### One Year

From the date of the  
original purchase

**Replacement unit or refund** of the original retail price for any product which fails due to a defect in materials or workmanship. If the unit is exchanged, the replacement unit is warranted for the remainder of your product's original one-year warranty period. GE will, at its sole discretion, replace the product with a product of the same or comparable functionality and quality or refund the original retail price.

## In Order to Make a Warranty Claim:

- Properly pack your unit. We recommend using the original carton and packing materials.
- Return the product to the retail location where it was purchased.
- Include in the package a copy of the sales receipt or other evidence of date of original purchase. Also print your name and address and a description of the defect.

## What Is Not Covered:

- Repair of the unit.
- Service trips to your home.
- Customer instruction. This owner's manual provides information regarding operating instructions and user controls.
- Improper installation, delivery or maintenance. If you have an installation problem, or if the air conditioner is of improper cooling capacity for the intended use, contact your dealer or installer. You are responsible for providing adequate electrical connecting facilities.
- Failure of the product resulting from modifications to the product or due to unreasonable use including failure to provide reasonable and necessary maintenance.
- Replacement of house fuses or resetting of circuit breakers.
- Damage to the product caused by improper power supply voltage, accident, fire, floods or acts of God.
- Incidental or consequential damage caused by possible defects with this air conditioner.
- Damage caused after delivery.

*This warranty is extended to the original purchaser and any succeeding owner for products purchased for home use within the USA.*

*Some states do not allow the exclusion or limitation of incidental or consequential damages. This warranty gives you specific legal rights, and you may also have other rights which vary from state to state. To know what your legal rights are, consult your local or state consumer affairs office or your state's Attorney General.*

**Exclusion of implied warranties: Except where prohibited or restricted by law, there are no warranties, whether express, oral or statutory which extend beyond the description on the face hereof, including specifically the implied warranties of merchantability or fitness for a particular purpose.**

**Warrantor: General Electric Company, Louisville, KY 40225**

Safety Instructions

Operating Instructions

Care and Cleaning

Troubleshooting Tips

Consumer Support



## Consumer Support.

---



### *GE Appliances Website*

***ge.com***

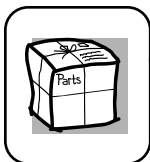
Have a question or need assistance with your appliance? Try the GE Appliances Website 24 hours a day, any day of the year! For greater convenience and faster service, you can now download Owner's Manuals, or even order parts and catalogs on-line. You can also "Ask Our Team of Experts™" your questions, and so much more...



### *Real Life Design Studio*

***ge.com***

GE supports the Universal Design concept—products, services and environments that can be used by people of all ages, sizes and capabilities. We recognize the need to design for a wide range of physical and mental abilities and impairments. For details of GE's Universal Design applications, including kitchen design ideas for people with disabilities, check out our Website today. For the hearing impaired, please call 800.TDD.GEAC (800.833.4322).

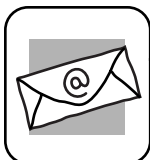


### *Parts and Accessories*

***ge.com***

Individuals qualified to service their own appliances can have parts or accessories sent directly to their homes (VISA, MasterCard and Discover cards are accepted). Order on-line today, 24 hours every day or by phone at 800.626.2002 during normal business hours.

***Instructions contained in this manual cover procedures to be performed by any user. GE does not support any servicing of the air conditioner. We strongly recommend that you do not attempt to service the air conditioner yourself.***



### *Contact Us*

***ge.com***

If you are not satisfied with the service you receive from GE, contact us on our Website with all the details including your phone number, or write to: General Manager, Customer Relations

GE Appliances, Appliance Park  
Louisville, KY 40225



# Salón portátil Acondicionador de aire

*Instrucciones de seguridad* . . . .2, 3

*Instrucciones de operación*

Acerca de los controles . . . . .4, 5

Control remoto . . . . .4-6

Cubeta de agua . . . . .6

Manguera de drenaje . . . . .6

*Cuidado y limpieza*

Cubeta de agua . . . . .7

Filtro de aire . . . . .7

Limpieza del serpentín . . . . .7

Rejilla y gabinete . . . . .7

*Instrucciones para*

*la instalación* . . . . .8-13

*Solución de problemas* . . . . .14

*Ayuda al cliente*

Ayuda al cliente . . . . .16

Garantía . . . . .15

**Manual del propietario e  
Instrucciones de Instalación**

APE08

**Escriba los números de modelo  
y serie aquí:**

**# de Modelo** \_\_\_\_\_

**# de Serie** \_\_\_\_\_

Usted puede encontrar estos números  
en la parte trasera del acondicionador  
de aire.



# INFORMACIÓN IMPORTANTE DE SEGURIDAD. LEA TODAS LAS INSTRUCCIONES ANTES DE USAR.

Seguridad

## ⚠ ¡ADVERTENCIA!

Por su seguridad, se debe seguir la información en este manual para minimizar el riesgo de incendios, descargas eléctricas o lesiones personales.



## PRECAUCIONES DE SEGURIDAD

Al usar este acondicionador de aire portátil, se deben seguir precauciones básicas de seguridad, incluyendo las siguientes:

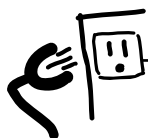
- Use este electrodoméstico solamente para el propósito determinado según se describe en este Manual del propietario.
- Este acondicionador de aire portátil debe instalarse correctamente de acuerdo con las instrucciones de este manual antes de su uso.
- Nunca desenchufe su acondicionador de aire portátil tirando del cable eléctrico. Siempre agarre firmemente el enchufe y tire de él directamente hacia afuera.
- Reemplace inmediatamente todos los cables eléctricos que se hayan pelado o que se hayan dañado de alguna otra manera. Un cable de corriente dañado no debe repararse, sino que debe ser sustituido por uno nuevo que se adquiera del fabricante. No use un cable eléctrico que muestre evidencias de deterioro, o daños de abrasión en su superficie en alguno de sus extremos.
- Apague el control y desenchufe su acondicionador de aire portátil antes de limpiar.
- GE no proporcionará ningún servicio al acondicionador de aire. Fuertemente recomendamos que usted no intente proporcionar servicio al acondicionador de aire usted mismo.
- Por su seguridad, no almacene ni use materiales combustibles, gasolina u otros vapores o líquidos inflamables en la proximidad de éste o algún otro electrodoméstico.
- Todos los acondicionadores de aire contienen refrigerantes, los cuales se deben evacuar antes de desechar el producto de acuerdo con la ley federal. Si va a desechar algún aparato antiguo con refrigerante, consulte con la compañía a cargo de evacuar el aparato, asegúrese de hacerlo adecuadamente.

Operación

Cuidado y limpieza

Solución de problemas

Ayuda al cliente



## COMO CONECTAR LA ELECTRICIDAD

Bajo ninguna circunstancia, corte o remueva la tercera púa (tierra) del cable eléctrico. En pos de la seguridad personal, este electrodoméstico debe siempre conectarse a tierra.

Use un fusible de demora de 15 amperios o un interruptor de circuitos.

El cable eléctrico de este electrodoméstico está equipado con un enchufe de tres púas (tierra) que combina con un tomacorriente estándar de tres tomas de pared para minimizar la posibilidad de una descarga eléctrica.

El cable de alimentación incluye un dispositivo para interrupción de corriente. Se incluye un botón de prueba y de reinicio en el dispositivo. El dispositivo debe ponerse a prueba periódicamente: primero se presiona el botón de **TEST** (prueba) y luego **RESET** (reinicio). Si el botón **TEST** no se dispara o si el botón **RESET** no queda enganchado, deje de utilizar el acondicionador de aire y comuníquese con un técnico calificado.

Pida a un técnico que inspeccione el tomacorriente y el circuito para cerciorarse de que el tomacorriente está conectado a tierra de la manera apropiada.

Donde exista un tomacorriente de dos tomas, es su responsabilidad y obligación personal hacer que dicho tomacorriente sea reemplazado por uno de tres tomas con conexión a tierra.

El acondicionador de aire debería siempre estar conectado a un tomacorriente individual con su circuito de voltaje correspondiente.

Esto proporciona el mayor rendimiento y además evita que los circuitos del resto de la casa se sobrecarguen, lo cual podría causar incendios por el sobrecalentamiento del cableado.



## USO DE CABLES DE EXTENSIÓN

Debido al potencial de riesgos de seguridad bajo ciertas condiciones, enérgicamente recomendamos en contra del uso de cables de extensión.

Sin embargo, si usted se ve en la necesidad de usar un cable eléctrico de extensión, es absolutamente necesario que el mismo esté listado bajo UL, sea calibre 14, del tipo de 3 tomas con conexión a tierra para electrodomésticos y el índice eléctrico debe ser de 15 amperios (mínimo) y 125 voltios.



## USO DE ENCHUFES ADAPTADORES

Debido al potencial de riesgos de seguridad bajo ciertas condiciones, enérgicamente recomendamos en contra del uso de enchufes adaptadores.

Sin embargo, si usted se ve en la necesidad de usar un adaptador, donde los códigos legales locales lo permitan, puede hacer una **conexión temporal** a un interruptor de 2 tomas siempre que se use un tomacorriente listado UL disponible en la mayoría de las ferreterías.

La ranura mayor en el adaptador debe estar alineada con la púa mayor en la pared para proporcionar una polaridad apropiada en la conexión del cable eléctrico.

Cuando se disponga a desconectar el cable eléctrico del adaptador, siempre sostenga el adaptador en su lugar con una mano mientras tira del cable eléctrico con la otra mano. Si no hace esto, la terminal de tierra del adaptador podría romperse después de que este proceso se repita varias veces.

Si la terminal de conexión a tierra del adaptador se rompe, **NO USE** el acondicionador de aire hasta que la conexión a tierra se haya restablecido.

*Unir el terminal de conexión a tierra del adaptador a un tornillo de la cubierta en la pared no conecta a tierra el electrodoméstico apropiadamente a no ser que el tornillo de la cubierta sea metálico y no esté aislado, y el tomacorriente de la casa esté apropiadamente conectado a tierra a través del cableado de la casa. Haga que un técnico calificado inspeccione el circuito de la casa para cerciorarse que está conectado a tierra apropiadamente.*

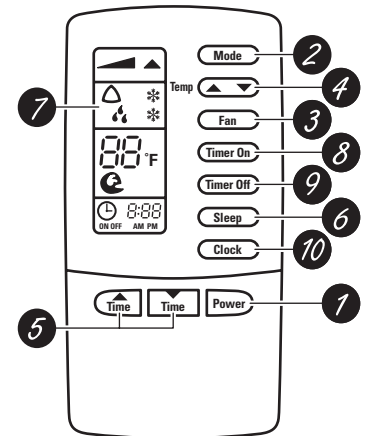
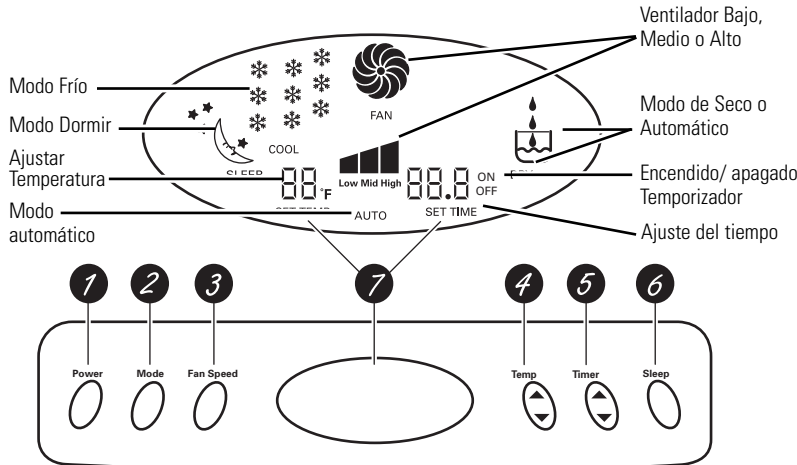


LEA Y SIGA ESTAS INSTRUCCIONES DE SEGURIDAD CUIDADOSAMENTE.

**GUARDE ESTAS INSTRUCCIONES**

# Acerca de los controles del acondicionador de aire.

La apariencia y las funciones pueden variar.



Control remoto

## Pantalla y controles del acondicionador de aire

### Controles



- 1 Power (Encendido/Apagado)**  
Apaga y prende el acondicionador de aire. (Después de instalar las baterías en el control remoto, presione **Power** para operar los niveles de la unidad).
- 2 Mode (Modo)**  
Usado para ajustar el acondicionador de aire al modo **FAN (VENTILADOR)**, **COOL (FRÍO)**, **DRY (SECO)**, y **AUTO (AUTOMÁTICO)**.  
**NOTA:** Si usted tiene un modelo de Cool (Frío) solamente, los ajustes para calentar no estarán activos en su modelo aun cuando **HEAT (Caliente)** aparezca en la pantalla de control remoto.
- 3 Fan Speed Pad (Tecla de la velocidad del ventilador)**  
Usado para ajustar la velocidad del ventilador a **LOW (BAJO)**, **MID** o **HIGH (ALTO)**.
- 4 Teclas de Increase ▲ (Aumentar)/Decrease ▼ (Reducir) de Temp**  
Usado para ajustar la temperatura cuando se encuentre en el modo **COOL (FRÍO)**.
- 5 Teclas de Increase ▲ (Aumentar)/Decrease ▼ (Reducir) de Timer (Sincronizador) ON (ENCENDIDO)**—Cuando el acondicionador de aire está apagado, se puede ajustar para que se encienda automáticamente entre 1/2 y 24 horas (o 1/2–18 horas si se hace el ajuste con el control remoto) a un ajuste previo. Toque las teclas de **Increase ▲ (Aumentar)/Decrease ▼ (Reducir) de Timer (Sincronizador)** para ajustarlo en incrementos.  
**OFF (APAGADO)**—Cuando el acondicionador de aire está encendido, se puede ajustar para que se apague automáticamente entre 1/2 y 24 horas a un ajuste previo. Toque las teclas **Increase ▲ (Aumentar)/Decrease ▼ (Reducir) de Timer (Sincronizador)** para ajustarlo en incrementos.  
**Para cancelar el sincronizador**, presione las teclas **Increase ▲ (Aumentar)/Decrease ▼ (Reducir) de Timer (Sincronizador)** hasta que la pantalla no muestre una hora.
- 6 Sleep (Dormir)**  
Presione para hacer que el acondicionador de aire funcione de 1/2 a 24 horas (o 1–7 horas si se hace el ajuste con el control remoto) antes de que se apague automáticamente. Toque las teclas de **Increase ▲ (Aumentar)/Decrease ▼ (Reducir) de Timer (Sincronizador)** para ajustarlo en incrementos.  
Después que el sincronizador de dormir se ajuste, la temperatura escogida aumentará automáticamente en intervalos para proporcionar una temperatura de dormir cómoda.  
**Para cancelar el modo de dormir**, presione el botón **Sleep (Dormir)** una segunda vez o presione las teclas de **Increase ▲ (Aumentar)/Decrease ▼ (Reducir) de Timer (Sincronizador)** hasta que la pantalla no muestre una hora.  
**NOTA:** El sincronizador de dormir se cancelará si la unidad se apaga o el botón **Timer On (Sincronizador Encendido)** se presiona en el control remoto.
- 7 Pantalla**  
Visualiza el modo seleccionado, la velocidad del ventilador, la temperatura ajustada o el tiempo restante en el sincronizador. La pantalla también mostrará **E4** y la unidad hará una señal cuando la cubeta de agua esté vacía. El proceso de deshumidificación (modo **DRY** o **COOL**) se detendrá pero el ventilador del motor continuará operando.
- 8 Timer On (Sincronizador Encendido)**  
Use en el control remoto para encender el **Sincronizador**. Luego use las teclas de **Increase ▲ (Aumentar)/Decrease ▼ (Reducir) de Time (Tiempo)** para ajustarlo en incrementos. Presione **Timer On (Sincronizador Encendido)** de nuevo para enviar el ajuste de tiempo a la unidad.
- 9 Timer Off (Sincronizador Apagado)**  
Use en el control remoto para apagar el **Sincronizador**.
- 10 Clock (Reloj)**  
Use para escoger el día en la pantalla del control remoto. Presione la tecla **Clock (Reloj)** y luego las teclas **Increase ▲ (Aumentar)/Decrease ▼ (Reducir) de Time (Tiempo)** para ajustar. Presione **Clock (Reloj)** de nuevo para activar.

Cuando el acondicionador de aire está encendido, se encenderá automáticamente en el nivel predeterminado.

### Control remoto

- Para garantizar una operación apropiada, oriente el control remoto hacia el receptor de señal del acondicionador de aire.
- El receptor de señal tiene un rango máximo de 21 pies.
- Cerciórese de que no haya nada entre el acondicionador de aire y el control remoto que pueda bloquear la señal.
- Cerciórese de que las baterías sean frescas y se instalen correctamente—vea la sección *Cómo usar el acondicionador de aire*.

### Modo de FAN (Ventilador)

Use el **FAN (Ventilador)** en **High (ALTO)**, **MID (MEDIO)** o **LOW (BAJO)** para proporcionar circulación de aire y filtración sin enfriamiento. Debido a que los niveles de ventilador únicamente no proporcionan enfriamiento, el nivel de temperatura no se muestra en la pantalla.

### Modo de COOL (FRÍO)

Use el modo **COOL** con ventilador **HIGH (ALTO)**, **MID (MEDIO)** o **LOW (BAJO)** para enfriar. Use las teclas de **Increase ▲ (Aumentar)/Decrease ▼ (Reducir) de Temp** para ajustar a la temperatura deseada entre 61°F y 86°F en incrementos de 1°F.

Se usa un termostato para mantener la temperatura de la habitación. El compresor hará ciclo entre apagado y encendido para mantener la habitación a la temperatura deseada. Ajuste el termostato a un número menor y el aire interno se enfriará más. Si lo ajusta a un número mayor, la temperatura del aire interno se calentará más.

**NOTA:** Si el acondicionador de aire está apagado y se enciende mientras está configurado en un ajuste **Cool (Frío)** o si se cambia de un ajuste de ventilador a uno de **Cool (Frío)**, tomará aproximadamente 3 minutos para que el compresor comience a enfriar otra vez.

#### Descripciones de enfriamiento

**Para enfriamiento normal**—Seleccione el modo de **COOL (FRÍO)** y ventilador en **HIGH (ALTO)** o **MID (MEDIO)** con una temperatura de ajuste media.

**Para enfriamiento máximo**—Seleccione el modo de **COOL** y ventilador en **HIGH (ALTO)** con una temperatura de ajuste menor.

**Para enfriamiento silencioso y enfriamiento nocturno**—Seleccione el modo de **COOL** y ventilador en **LOW (BAJO)** con una temperatura de ajuste media.

**NOTA:** Si cambia de un ajuste **COOL (FRÍO)** a **OFF (APAGADO)** o a un ajuste de ventilador, espere aproximadamente 3 minutos antes de cambiar otra vez al ajuste de **COOL (FRÍO)**.

### Modo de DRY (SECO)

Use el modo **DRY (SECO)** para proporcionar la operación de deshumidificación solamente. El ventilador operará a una velocidad fija baja en este modo. Mantenga las ventanas y las puertas cerradas para lograr el efecto deshumidificador. Cuando use el modo **DRY (SECO)**, desconecte la manguera de escape de la unidad y quite el deslizador de la ventana o selle la apertura en el adaptador de escape de la ventana.

**NOTA:** Si usted cambia entre el modo **DRY (SECO)** a **OFF (APAGADO)** o a una selección del ventilador, espere por lo menos 3 minutos antes de cambiar la selección a **DRY** otra vez.

El compresor opera en este modo.

### Modo AUTO (AUTOMÁTICO)

Ajuste a **AUTO** para que la temperatura y le velocidad del ventilador proporcionen ajustes de control óptimos automáticamente.

**NOTA:** **DRY** aparecerá también en la pantalla cuando use el modo **AUTO**.



# Cómo usar el acondicionador de aire.

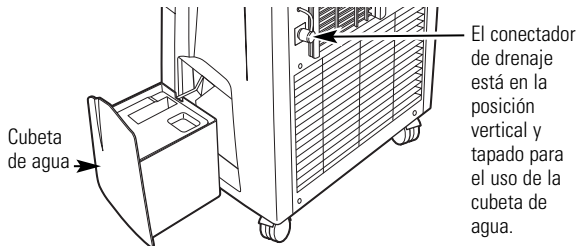
Siempre asegúrese de que la cubeta de agua está asegurada en su lugar en el acondicionador de aire portátil.

Seguridad

Operación

## Cómo usar la Cubeta de agua

Asegúrese de que el conector de drenaje está tapado y en la posición vertical. Cuando se remueva la cubeta, la unidad se apagará. Vacíe y cambie la cubeta asegurándose de que está totalmente asentada en la unidad.



Cuando la cubeta de agua está llena, una señal pitará y la pantalla mostrará **E4** hasta que la cubeta de agua sea vaciada.

**NOTA:** El ventilador continuará operando aun cuando la cubeta de agua está vacía. Sin embargo, el modo de **Enfriamiento (Cooling)** y **Seco (Dry)** no funcionará hasta que la cubeta de agua se haya vaciado y reemplazado correctamente.

Para vaciar la cubeta de agua antes de que esté llena, apague la unidad y espere tres minutos para que toda el agua se acumule en la cubeta.

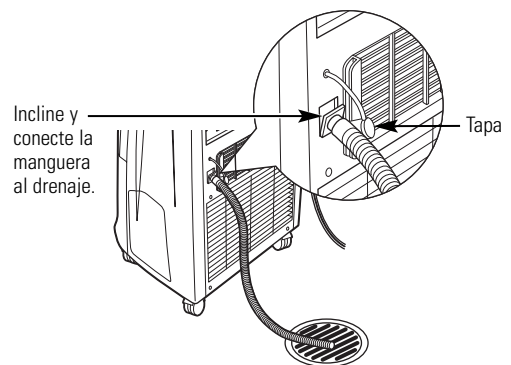
**IMPORTANTE:** Cuando use la cubeta de agua para remover el agua acumulada, asegúrese de que el conector de drenaje está en la posición vertical y está tapado. Si no está en la posición vertical, el agua se drenará del conector hacia el piso.

Cuidado y limpieza

## Cómo usar la Manguera de Drenaje

El agua se puede vaciar automáticamente hacia un drenaje en el piso destapando el conector del drenaje, inclinándolo y conectándole una manguera. Dirija la manguera de drenaje directamente hacia el drenaje del piso.

**IMPORTANTE:** Cuando el conector de drenaje esté inclinado, el agua se drenará a través del conector. Asegúrese de que la manguera está conectada y orientada directamente hacia el drenaje del piso. Nunca incline el conector de drenaje si está tapado porque el agua de drenaje hará que la unidad no funcione apropiadamente.



Cuando incline el conector de drenaje, siempre destápele, pegue la manguera de drenaje y dirijala directamente hacia el drenaje en el piso.

Solución de problemas

## Cómo insertar las pilas en el control remoto

- 1 Retire la cubierta de la pila deslizándola de acuerdo con la dirección de la flecha.
- 2 Inserte pilas nuevas cerciorándose de que los polos positivos (+) y negativos (-) están orientados correctamente.
- 3 Coloque la cubierta otra vez deslizándola en su lugar.

### NOTAS:

- Use 2 pilas alcalinas “AAA” (1.5 vatios). No use pilas recargables.
- Retire las pilas del control remoto si no va a usar el sistema por un período prolongado.

Ayuda al cliente



Apague el acondicionador de aire y desconecte el enchufe del tomacorriente en la pared antes de limpiarlo.

## Rejilla y gabinete

### Para limpiar el gabinete:

Use agua y un detergente de baja concentración. No use blanqueador ni limpiadores abrasivos.

### Para limpiar la rejilla:

Use una aspiradora con accesorio de cepillo suave o un cepillo de mano.

## Filtro de aire

El filtro de aire se encuentra en el parte posterior del acondicionador de aire. **Debe revisarse y limpiarse cuando menos cada 30 días o más frecuentemente si es necesario.**

**NOTA:** NO enjuague o lave el filtro usando una máquina lavavajillas automática.

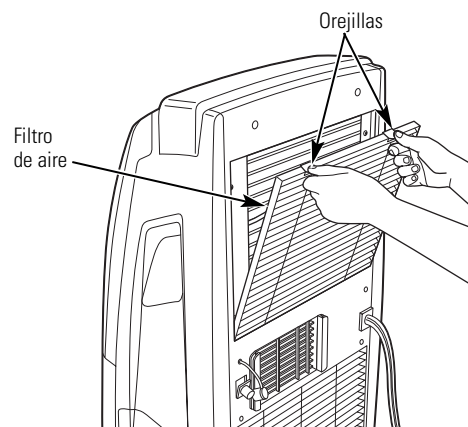
**PRECAUCION:** NO OPERE el acondicionador de aire sin el filtro debido a que la suciedad y las pelusas lo obstruirán y reducirán el rendimiento.

### Para remover:

Pellizque las dos orejillas de cubierta del filtro y tire de la cubierta del filtro hacia afuera y extráigala. Remueva el filtro de la cubierta. Lávela con agua jabonosa cálida. Enjuáguelo y permita que el filtro se seque antes de reemplazarlo.

### Para reemplazar:

Enganche el filtro de regreso en la cubierta del filtro. Coloque el fondo de la cubierta del filtro en el extremo inferior en el extremo inferior del compartimiento del filtro y ciérrelo.

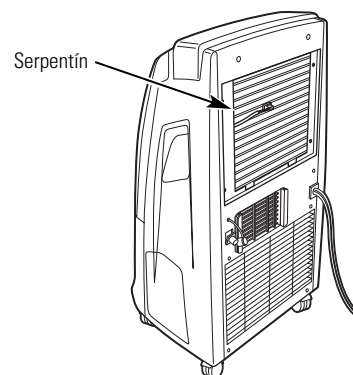


## Limpieza del serpentín

Después de remover la cubierta del filtro de aire, limpie el serpentín con un cepillo suave cuando el suciedad está blanda y mojada.

**NOTA:** No deje que el agua entre en el compartimento eléctrico/mecánico en la abertura circular situada detrás del serpentín.

**No rocíe el serpentín con una manguera.**



## Cubeta de agua

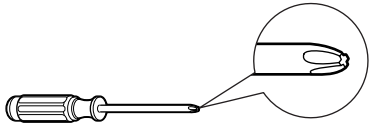
Cada dos o tres semanas, enjuague el interior de la cubeta de agua con detergente suave para evitar la formación de moho o bacterias.

**NOTA:** Evite usar una máquina lavavajillas para limpiar la cubeta de agua.



# Instrucciones para la instalación

## HERRAMIENTAS QUE NECESITARÁ



Destornillador Phillips



Lápiz

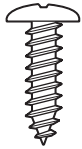


Tijeras o  
cuchilla

## PARTES QUE USTED NECESITARÁ

- Banda de relleno para madera y tornillos para madera (para ventanas colgadas doble, para ajustarse a la anchura interna de la ventana y a la altura interna del marco de la ventana).

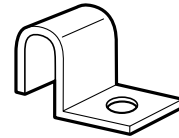
## PARTES INCLUIDAS



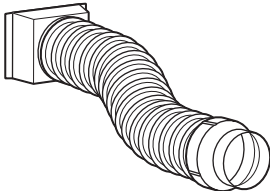
Tornillo grande para madera (4)



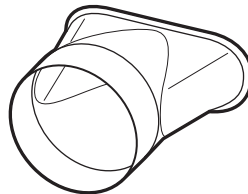
Abrazadera de cierre  
de ventana



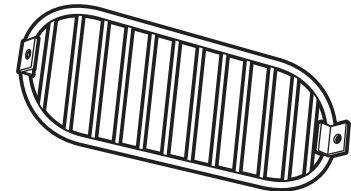
Abrazadera del deslizador  
de ventana (2)



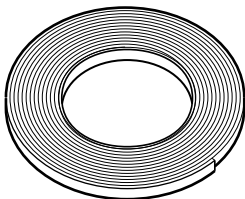
Manguera de escape flexible



Adaptador de escape  
de ventana



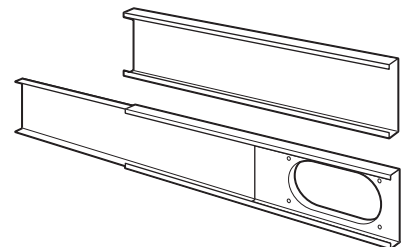
Pantalla protectora



Sello de espuma

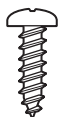
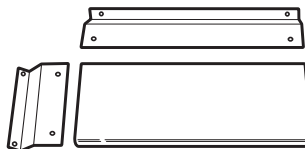


Sello de ventana (2)



Deslizador de ventana ajustable  
(2 para abertura de ventana  
normal, 3 para abertura de  
ventana grande)

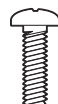
Ensamblaje, deflector de lluvia



Tornillo pequeño para  
madera (4)



Arandela (4)



Perno (4)



Tuerca (4)



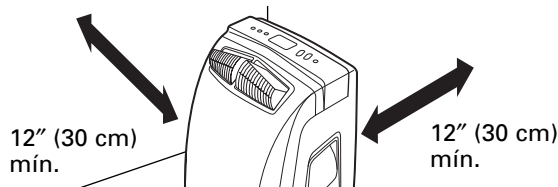
Arandela de aro dividido (4)

# Instrucciones para la instalación

El cable de alimentación incluye un dispositivo para interrupción de corriente. Se incluye un botón de prueba y de reinicio en el dispositivo. El dispositivo debe ponerse a prueba periódicamente: primero se presiona el botón de **TEST** (prueba) y luego **RESET** (reinicio). Si el botón **TEST** no se dispara o si el botón **RESET** no queda enganchado, deje de utilizar el acondicionador de aire y comuníquese con un técnico calificado.

## 1 SELECCIÓN DEL LUGAR ADECUADO

- Coloque el acondicionador de aire en un piso firme y nivelado que sea lo suficientemente fuerte para soportar la unidad cuando el tanque esté llena de agua.
- Deje por lo menos 12 pulgadas (30 cm) de espacio libre alrededor de la unidad para que exista una buena circulación de aire.

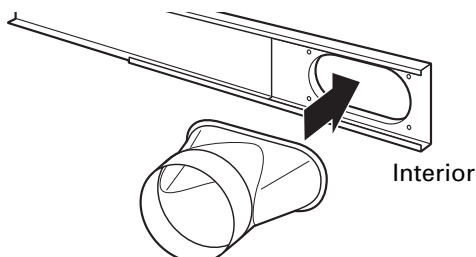


- Coloque la unidad en una área donde la temperatura no baje de los 65°F (18°C). A temperaturas inferiores a esta, el evaporador se podría cubrir con hielo, lo que reduciría el rendimiento del acondicionador de aire.

**NOTA:** El acondicionador de aire tiene ruedas para ayudarle a colocarlo en distintos lugares, pero debe rodarse en superficies firmes y plantas. No intente rodarlo sobre objetos o sobre una alfombra.

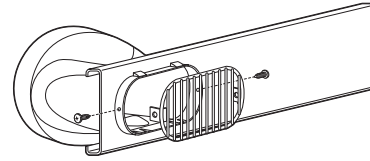
## 2 PEGUE EL ADAPTADOR DE ESCAPE A LA APERTURA INTERNA DEL DESLIZADOR DE LA VENTANA

- Ajuste el adaptador de escape en la apertura interna del deslizador de la ventana.



## 3 PEGUE LA PANTALLA PROTECTORA AL EXTERIOR DEL ADAPTADOR DE ESCAPE

- Use dos tornillos pequeños para madera en cada lado para pegar la pantalla protectora en el exterior del adaptador de escape.



## 4 INSTALE EL DEFLECTOR DE LLUVIA A LA PARTE EXTERIOR DEL DESLIZADOR DE VENTANA

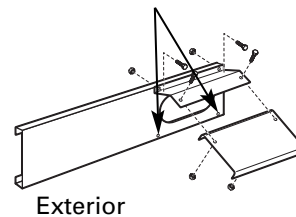
- Remueva los tapones apropiados (guarde para uso futuro) del deslizador de ventana y deflector de lluvia para preparar para la instalación de una ventana colgada doble o una ventana deslizable. Alinee los agujeros en el deflector de lluvia y el deslizador de ventana. Use los cuatro pernos, arandelas de aro dividido y tuercas para pegar el deflector de lluvia en el deslizador de la ventana.

Instalación en una ventana de doble vuelo

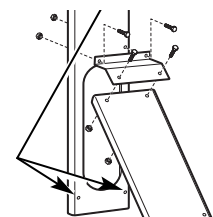
Instalación en una ventana con deslizador

Deje estos dos tornillos en su lugar para las instalaciones de ventanas de doble vuelo

Deje estos dos tapones en su lugar para las instalaciones de ventanas deslizables



Exterior



Exterior

## 5 INSTALE LA CUBIERTA DE LA CUBETA DE AGUA

- A** Retire la cinta de empaque del lado de la unidad y remueva la cubeta de agua.

- B** Extraiga la cubierta de la cubeta e instálela insertando sus postes en los agujeros.

- C** Cierre la cubierta e inserte la cubeta en la unidad.



# Instrucciones para la instalación

Instrucciones para la instalación del deslizador de ventana ajustable en una ventana colgada doble. Si usted tiene una ventana deslizable, ver instrucciones en páginas 12 y 13.

## 6 INSTALE EL DESLIZADOR DE VENTANA EN LA VENTANA

- A** Para permitir que la ventana cierre apropiadamente alrededor del deslizador ajustable de la ventana, para apoyos de ventana inclinados, pegue un pedazo de madera al antepecho en la parte posterior de la repisa de la ventana. **NOTA:** Para apoyos planos no se necesita madera.

### PEDAZO DE MADERA-

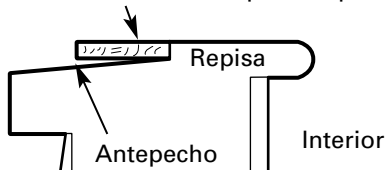
**ANCHURA: 1"**

**LONGITUD:** Lo suficientemente largo como para que ajuste en el interior del marco de la ventana.

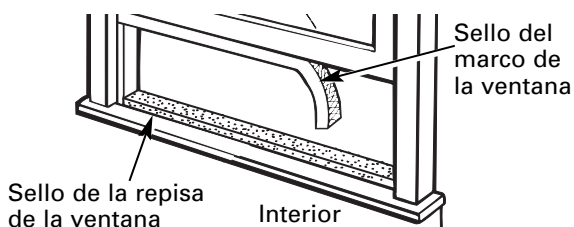
**GRUESO:** Para determinar el grueso, coloque un pedazo de madera en el antepecho detrás de la repisa de la ventana para hacerlo de la misma altura que la repisa.

Pegue con seguridad con clavos o tornillos de los proporcionados por el instalador.

Madera (de la misma altura que la repisa)



- B** Corte el sello del marco de la ventana (con posterior adhesivo) conforme con el ancho de la ventana y péguelo del lado adhesivo al fondo del marco de la ventana. Corte el sello de la repisa de la ventana (sin adhesivo) conforme con el ancho de la ventana y colóquelo sobre la repisa de la ventana.

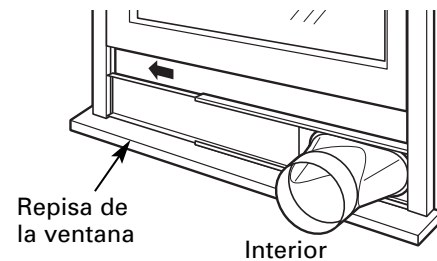
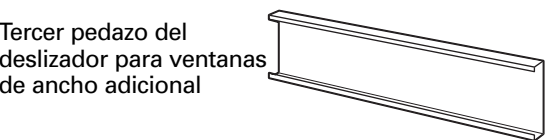


- C** Si el deslizador de ventana es más corto que el ancho de la ventana, tire del brazo deslizador tanto como el ancho de la ventana lo requiera.

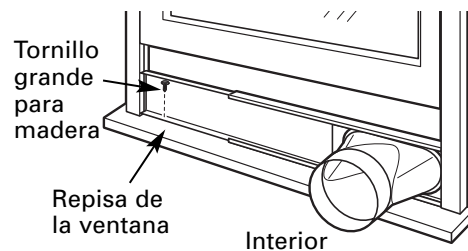
Si el deslizador de ventana es más largo que el ancho de la ventana, corte el brazo deslizador conforme con el ancho de la ventana.

Si el deslizador de ventana de dos piezas es demasiado corto para el ancho de la ventana, pegue y use un tercer pedazo para el deslizador.

Tercer pedazo del deslizador para ventanas de ancho adicional

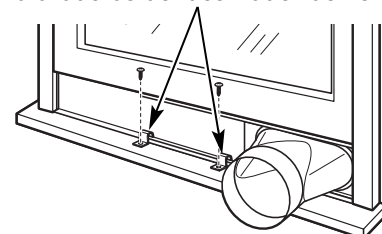


- D** Pegue el deslizador a la repisa a través uno de sus agujeros usando un tornillo grande para madera.



- E** Tire de la ventana hacia abajo en contra de la parte superior del deslizador de ventana.

Abrazaderas del deslizador de ventana

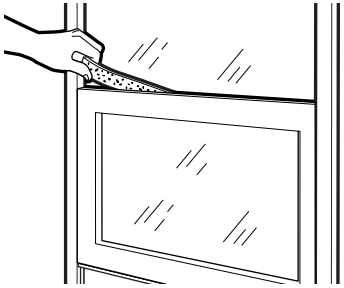


- F** Enganche las dos abrazaderas del deslizador de ventana sobre el extremo inferior del deslizador de ventana y pegue a la repisa de la ventana usando dos tornillos grandes para madera.

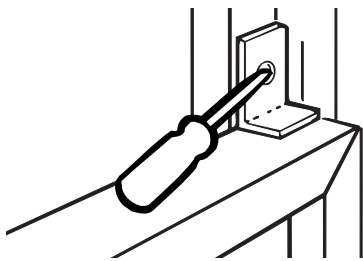
# Instrucciones para la instalación

## 7 INSTALE LA JUNTA DE VENTANA SUPERIOR Y LA ABRAZADERA DE CIERRE DE VENTANA

- A** Corte la junta de ventana superior de espuma conforme al ancho de la ventana.  
Empaque la espuma entre el vidrio de la ventana y la ventana para evitar que el aire e insectos entren al salón.

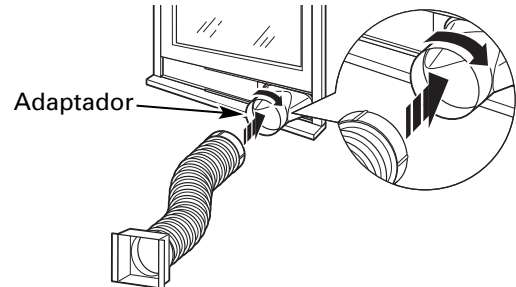


- B** Pegue la abrazadera de cierre de ventana con un tornillo grande para madera.

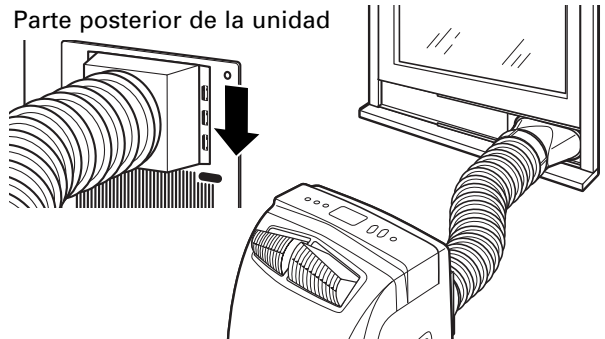


## 8 PEGUE LA MANGUERA DE ESCAPE

- A** Inserte el extremo redondo de la manguera de escape en el adaptador de escape en el deslizador de la ventana y gírelo para asegurarlo en su lugar.



- B**
- La manguera de escape se debe instalar apropiadamente a la parte posterior de la unidad y al adaptador de escape, y debe escapar hacia el exterior cuando se use la unidad en el modo **COOL (FRÍO)** deslizándola en su posición.
  - Pegue el extremo de la unidad de la manguera de escape a la parte posterior del acondicionador de aire.



- I** **IMPORTANTE:** Para asegurar un enfriamiento apropiado, no doble, pellizque, acorte o alargue la manguera de escape. La longitud mínima de la manguera de escape es 50 cm (20") y la longitud máxima de la manguera de escape es 200 cm (78")."



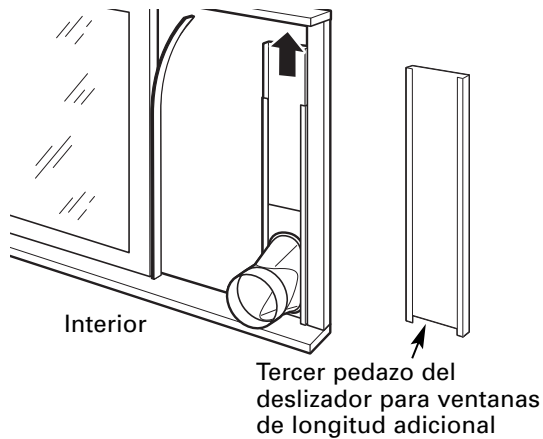
Un número excesivo de bandas en la manguera de escape podría poner en peligro el rendimiento del enfriamiento.

# Instrucciones para la instalación

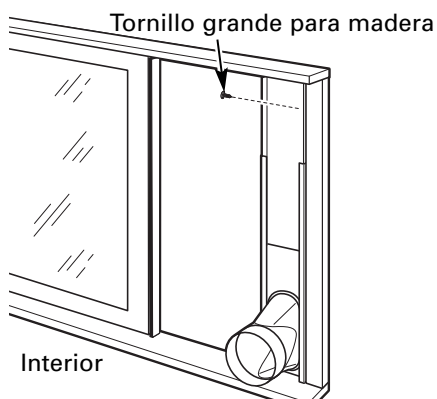
Instrucciones para la instalación del deslizador de ventana ajustable en una ventana deslizable. Si usted tiene una ventana colgada doble, ver instrucciones en páginas 10 y 11.

## 6 INSTALE EL DESLIZADOR DE VENTANA EN LA VENTANA

- A** Si el deslizador de ventana es más corto que la altura de la ventana, tire del brazo deslizador hacia afuera hasta alcanzar la altura de la ventana.
- Si el deslizador de ventana es más largo que la altura de la ventana, corte el brazo deslizador conforme sea la altura de la ventana.
- Si el deslizador de ventana de dos piezas es demasiado corto para la altura de la ventana, pegue y use un tercer pedazo para el deslizador.



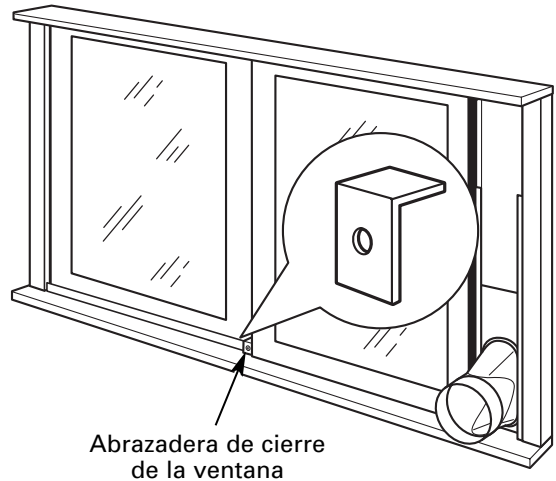
- B** Corte el sello de la ventana (con posterior adhesivo) conforme a la altura de la ventana y pegue el lado adhesivo a la cara interna deslizable de la ventana, como se muestra anteriormente.
- C** Pegue el parte superior del deslizador a la cara de la ventana usando un tornillo grande para madera a través de uno de sus agujeros.



- D** Deslice la ventana en contra del extremo del deslizador de ventana.
- E** Si corresponde, enganche los dos soportes de los deslizadores de ventana por encima del borde lateral del deslizador de la ventana y únalos al frente deslizante de la ventana interior usando dos tornillos grandes para madera.

## 7 INSTALE LA ABRAZADERA DE CIERRE DE LA VENTANA

Pegue la abrazadera de cierre de la ventana con un tornillo grande para madera.

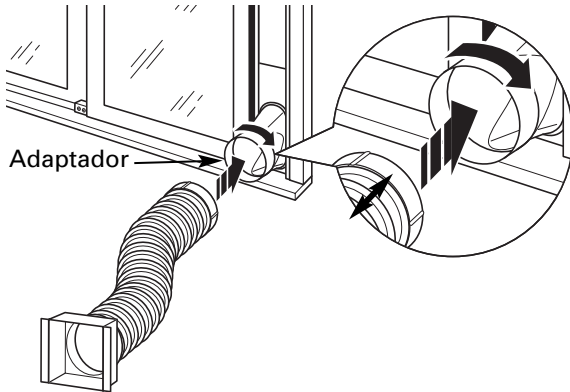




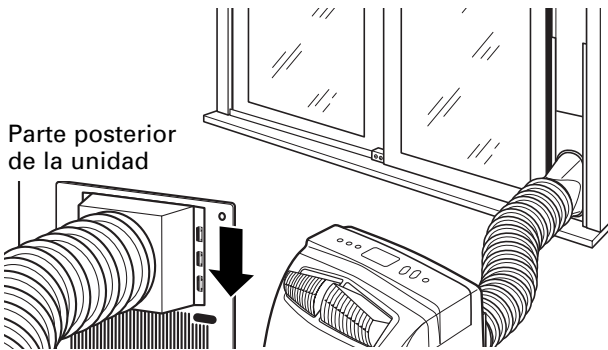
# Instrucciones para la instalación

## 8 PEGUE LA MANGUERA DE ESCAPE AL DESLIZADOR DE VENTANA

- A** Inserte el extremo redondo de la manguera de escape en el adaptador de escape en el deslizador de la ventana y gírelo para asegurarlo en su lugar.



- B**
- La manguera de escape se debe instalar apropiadamente a la parte posterior de la unidad y al adaptador de escape, y debe escapar hacia el exterior cuando se use la unidad en el modo **COOL (FRÍO)** deslizándola en su posición.
  - Pegue el extremo de la unidad de la manguera de escape a la parte posterior del acondicionador de aire.



## 8 PEGUE LA MANGUERA DE ESCAPE AL DESLIZADOR DE VENTANA (CONT.)

- I** **IMPORTANTE:** Para asegurar un enfriamiento apropiado, no doble, pellizque, acorte o alargue la manguera de escape. La longitud mínima de la manguera de escape es 50 cm (20") y la longitud máxima de la manguera de escape es 200 cm (78")."



Un número excesivo de bandas en la manguera de escape podría poner en peligro el rendimiento del enfriamiento.



# Solucionar problemas...



¡Ahorre dinero y tiempo!

Seguridad

Operación

Cuidado y limpieza

Solución de problemas

Ayuda al cliente

| Problema   | Causas posibles   | Qué hacer  |
|--|---|--|
| <b>E4 aparece en la pantalla</b>   | La cubeta de agua está llena o no está instalada apropiadamente.  | <ul style="list-style-type: none"> <li>Remueva, vacíe y reemplace la cubeta de agua. Ver la sección <i>Cómo usar la cubeta de agua</i> y las instrucciones para la instalación en este manual.</li> </ul>  |
|  | La cubeta de agua se removió mientras la unidad estaba en operación.  | <ul style="list-style-type: none"> <li>Reemplace la cubeta de agua. Ver la sección <i>Cómo usar la Cubeta de Agua</i>.<br/><b>NOTA:</b> Reemplace la cubeta de agua inmediatamente después de vaciarla y atrape cualquier condensación que continúe acumulándose.</li> </ul>   |
| <b>El modo "HEAT" (CALIENTE) es seleccionado, pero la unidad no calienta</b> | Si usted tiene un modelo que solamente enfría, las opciones para calentar no estarán activas en su modelo.              | <ul style="list-style-type: none"> <li>Ajuste la unidad al modo <b>AUTO</b>, <b>COOL</b>, <b>DRY</b> o <b>FAN</b>. El modo <b>HEAT</b> no está disponible y no operará en los modelos que solamente enfrían.</li> </ul>  |
| <b>El acondicionador de aire no enciende</b>                                 | El acondicionador de aire está desconectado.  | <ul style="list-style-type: none"> <li>Cerciórese de que el acondicionador de aire está enchufado totalmente en el tomacorriente.</li> </ul>   |
|  | El fusible se disparó / el cortacircuitos se disparó.   | <ul style="list-style-type: none"> <li>Inspeccione los fusibles / caja de interruptores de la casa y reemplace cualquier fusible o reajuste el interruptor.</li> </ul>   |
|  | Interrupción en el suministro eléctrico.  | <ul style="list-style-type: none"> <li>Si ocurriera una falla del suministro eléctrico, apague (<b>OFF</b>) el acondicionador de aire. Cuando el suministro eléctrico haya sido restablecido, espere 3 minutos para reiniciar el acondicionador de aire para evitar que ocurra un cortocircuito de la sobrecarga del compresor.</li> </ul>   |
|  | El dispositivo de interrupción de corriente se ha activado.   | <ul style="list-style-type: none"> <li>Presione el botón <b>RESET</b> ubicado en el cable de alimentación.</li> <li>Si el botón <b>RESET</b> no se mantiene en su lugar, no utilice más el acondicionador de aire y comuníquese con un técnico calificado.</li> </ul>  |
| <b>El control remoto no funciona.</b>  | El control remoto no funciona.  | <ul style="list-style-type: none"> <li>Intente operar el control en la unidad. Ver <i>El control remoto no funciona</i>, más abajo.</li> </ul>   |
|  | El dispositivo de interrupción de corriente se ha activado.   | <ul style="list-style-type: none"> <li>Presione el botón <b>RESET</b> ubicado en el cable de alimentación.</li> <li>Si el botón <b>RESET</b> no se mantiene en su lugar, no utilice más el acondicionador de aire y comuníquese con un técnico calificado.</li> </ul>  |
| <b>El acondicionador de aire ha dejado de funcionar</b>                      | A ocurrido una interrupción en el suministro eléctrico.   | <ul style="list-style-type: none"> <li>Cuando el suministro eléctrico haya sido restablecido, espere 3 minutos para reiniciar el acondicionador de aire para evitar que ocurra un cortocircuito de la sobrecarga del compresor. Presione <b>Power</b> y reajústelos controles a la función deseada.</li> </ul>   |
|  | El modo <b>Sleep (Dormir)</b> o la tecla <b>Timer Off (Sincronizador Apagado)</b> ha apagado el acondicionador de aire. | <ul style="list-style-type: none"> <li>Fije el aire acondicionado en el nivel deseado.</li> </ul>  |
| <b>El acondicionador de aire no enfría como debería</b>                      | El flujo de aire está restringido.  | <ul style="list-style-type: none"> <li>Cerciórese de que no existe ninguna cortina, persiana o mueble bloqueando las entradas localizadas en los costados derecho e izquierdo del acondicionador de aire. Cerciórese de que existe por lo menos un espacio de 12" (30 cm) en todos los lados de la unidad. Cerciórese de que el flujo de aire a través el escape no esté bloqueado.</li> </ul> |
|  | El control de temperatura no está ajustado apropiadamente.  | <ul style="list-style-type: none"> <li>En el modo <b>COOL (FRÍO)</b>, presione la tecla <b>Decrease ▼ de Temp.</b></li> </ul>  |
|  | El filtro de aire está sucio.   | <ul style="list-style-type: none"> <li>Limpie el filtro cada 30 días por lo menos. Ver la sección de <i>Cuidado y limpieza</i>.</li> </ul>   |
|  | La habitación podría haber estado caliente.   | <ul style="list-style-type: none"> <li>Cuando el acondicionador de aire se enciende, usted necesita darle tiempo para que enfríe la habitación.</li> </ul>   |
|  | Las bobinas de enfriamiento se congelaron.  | <ul style="list-style-type: none"> <li>Ver "<b>Acondicionador de aire se está congelando</b>" más adelante.</li> </ul>   |
| <b>El acondicionador de aire se está congelando</b>                          | El hielo bloquea el flujo de aire hacia el acondicionador de aire evitando que se enfríe la habitación.                 | <ul style="list-style-type: none"> <li>El acondicionador de aire se descongelará y continuará la operación por sí solo.</li> <li>Para descongelar el acondicionador de aire más rápidamente, seleccione el modo <b>COOL (FRÍO)</b> y el ventilador en <b>HIGH (ALTO)</b> y coloque el termostato a una temperatura mayor.</li> </ul>   |
| <b>El control remoto no funciona</b>   | Las baterías están insertadas incorrectamente.  | <ul style="list-style-type: none"> <li>Inspeccione la posición de las baterías. Deben estar insertadas en la posición indicada, (+) y (-).</li> </ul>  |
|  | Las baterías pueden estar agotadas.   | <ul style="list-style-type: none"> <li>Reemplace las baterías.</li> </ul>  |
|  | El control remoto está demasiado lejos del acondicionador de aire.  | <ul style="list-style-type: none"> <li>Opere el control remoto más cerca del acondicionador de aire.</li> </ul>  |
|  | Un objeto, tal como un mueble o una toalla está bloqueando la señal.  | <ul style="list-style-type: none"> <li>Retire el objeto.</li> </ul>  |
| <b>La unidad no funciona después de presionar la tecla Power</b>             | La cubeta de agua está llena o no está instalada apropiadamente.  | <ul style="list-style-type: none"> <li>Remueva el agua de la cubeta de agua y empuje la cubeta de agua de regreso a su lugar.</li> </ul>   |
| <b>Ruido o vibración</b>   | El piso no está nivelado.   | <ul style="list-style-type: none"> <li>Coloque la unidad en una superficie nivelada y plana.</li> </ul>  |

# Garantía de su acondicionador de aire—garantía limitada de un año.



Grape aquí su recibo.  
Se requiere facilitar prueba de la  
fecha de compra original para  
hacer un reclamo de garantía.

## Por el período de: **Nosotros reemplazaremos:**

### Un año

A partir de la fecha  
de la compra original

**Reemplazo de la unidad o reembolso** del precio original, si la falla de su producto es debido a un defecto de los materiales o mano de obra. En caso de que se le reemplace la unidad, la garantía de su nueva unidad será por un año a partir de la fecha de la compra original. GE reemplazará el producto a su propia discreción con un producto de funcionalidad y calidad similar o le reembolzaremos el precio de la venta original.

## Para hacer un reclamo de garantía:

- **Empaque su unidad apropiadamente.** Recomendamos usar el cartón original y los materiales de empaquetado.
- **Regrese el producto al local de ventas donde usted lo compró.**
- **Incluya en el paquete una copia del recibo de venta u otra evidencia de la fecha original de la compra.** Además imprima su nombre y dirección y una descripción del defecto.

## Lo que no está cubierto:

- **Mantenimiento de la unidad.**
- **Gastos generados por viajes para dar servicio a la unidad en su casa.**
- **Instrucciones al cliente.** El Manual del propietario proporciona información acerca de las instrucciones de operación y de los controles del usuario.
- **Instalación o entrega inapropiada, o mantenimiento impropio.** Si usted tiene un problema durante la instalación, o si su acondicionador de aire no tiene la capacidad de enfriamiento que usted necesita, póngase en contacto con nuestro distribuidor o instalador. Usted es responsable de proporcionar las facilidades de conexión eléctrica necesarias.
- **Fallo del producto resultante de modificaciones al producto o debido a uso irrazonable incluyendo no proporcionar mantenimiento razonable y necesario.**
- **Reemplazo de fusibles de la casa o reajuste del sistema de circuitos.**
- **Daño al producto causado por voltaje inapropiado hacia el equipo, accidentes, incendios, inundaciones o actos de la naturaleza de fuerza mayor.**
- **Daños incidentales o consecuenciales causados por defectos posibles con este acondicionador de aire.**
- **Causar daños después de la entrega.**

Esta garantía se extiende al comprador original y cualquier comprador posterior de productos comprados para uso residencial dentro de Estados Unidos.

Algunos estados no permiten la exclusión o las limitaciones de daños incidentales o consecuenciales. Esta garantía da derechos legales específicos, y usted podría tener otros derechos que variarán de estado a estado. Para saber cuáles son sus derechos legales, consulte a la oficina de asuntos del consumidor local o la oficina del Attorney General en su localidad.

**Exclusión de garantías implicadas:** Excepto donde está prohibido o restringido por la ley, no hay garantías, expresas, orales o estatutarias que extiendan más allá de la descripción específica, incluyendo específicamente las garantías implicadas de mercantilidad o propiedad para un propósito particular.

Garante: General Electric Company. Louisville, KY 40225

Seguridad

Operación

Cuidado y limpieza

Solución de problemas

Ayuda al cliente

## Ayuda al cliente.

---



### *Página Web de GE Appliances*

**ge.com**

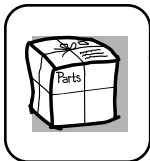
¿Tiene alguna pregunta sobre su electrodoméstico? ¡Pruebe la página Web de GE Appliances 24 horas al día, cualquier día del año! Para mayor conveniencia y servicio más rápido, ya puede descargar los Manuales de los Propietarios, o incluso pedir piezas o catálogos hacer una cita en línea. También puede “Ask Our Team of Experts™” (Preguntar a nuestro equipo de expertos) sobre cualquier cuestión y mucho más...



### *Estudio de diseño para la vida real*

**ge.com**

GE apoya el concepto de Diseño Universal—productos, servicios y ambientes que pueden usar gente de todas las edades, tamaños y capacidades. Reconocemos la necesidad de diseñar para una gran gama de habilidades y dificultades físicas y mentales. Para más detalles sobre las aplicaciones de GE Diseño Universal, incluyendo ideas de diseño para la cocina para personas con discapacidades, mire nuestra página Web hoy mismo. Para personas con dificultades auditivas, favor de llamar al 800.TDD.GEAC (800.833.4322).



### *Piezas y accesorios*

**ge.com**

Aquellos individuos con la calificación necesaria para reparar sus propios electrodomésticos pueden pedir que se les manden las piezas o accesorios directamente a sus hogares (aceptamos las tarjetas VISA, MasterCard y Discover). Haga su pedido en línea hoy, 24 horas cada día o llamar por teléfono al 800.626.2002 durante horas normales de oficina.

***Las instrucciones descritas en este manual cubren los procedimientos a seguir por cualquier usuario. GE no está no apoya que se le proporcione ningún servicio al acondicionador de aire. Vehementemente recomendamos que usted no intente proporcionar servicio al acondicionador de aire usted mismo.***



### *Póngase en contacto con nosotros*

**ge.com**

Si no está satisfecho con el servicio que recibe de GE, póngase en contacto con nosotros en nuestra página Web indicando todos los detalles así como su número de teléfono o escribanos a:

General Manager, Customer Relations  
GE Appliances, Appliance Park  
Louisville, KY 40225