

**ELECTRIC OR GAS DRYER  
 INSTALLATION INSTRUCTIONS - 29" WIDE MODELS  
 INSTRUCTIONS D'INSTALLATION DU SECHE-LINGE  
 ELECTRIQUE OU A GAZ - MODELES DE LARGEUR 29" (74 CM)  
 SECADORA A GAS O ELÉCTRICA INSTRUCCIONES DE  
 INSTALACIÓN - MODELOS DE 29" DE ANCHO**

**Table of Contents**

<b>DRYER SAFETY</b> .....	<b>2</b>	<b>VENTING</b> .....	<b>10</b>
<b>INSTALLATION REQUIREMENTS</b> .....	<b>3</b>	Venting Requirements.....	10
Tools and Parts .....	3	Plan Vent System.....	11
Location Requirements.....	4	Install Vent System .....	12
Electrical Requirements.....	5	Make Gas Connection.....	13
Gas Requirements.....	5	Connect Vent .....	13
Install Leveling Legs.....	6	Level Dryer .....	14
Electrical Connection.....	7	<b>COMPLETE INSTALLATION CHECKLIST</b> .....	<b>14</b>
		<b>REVERSE DOOR SWING (OPTIONAL)</b> .....	<b>15</b>
		<b>TROUBLESHOOTING</b> .....	<b>18</b>

**Table des matières**

<b>SECURITE DU SECHE-LINGE</b> .....	<b>19</b>	<b>EVACUATION</b> .....	<b>29</b>
<b>EXIGENCES D'INSTALLATION</b> .....	<b>20</b>	Exigences concernant l'évacuation.....	29
Outillage et pièces.....	20	Planification du système d'évacuation.....	30
Exigences d'emplacement .....	21	Installation du circuit d'évacuation.....	31
Spécifications électriques .....	22	Raccordement au gaz .....	31
Exigences concernant l'alimentation en gaz.....	23	Raccordement du conduit d'évacuation.....	32
Installation des pieds de nivellement .....	24	Réglage de l'aplomb du sèche-linge .....	33
Raccordement électrique .....	25	<b>ACHEVER L'INSTALLATION - LISTE DE VERIFICATION</b> .....	<b>33</b>
		<b>INVERSION DU SENS DE L'OUVERTURE</b>	
		<b>DE LA PORTE (FACULTATIF)</b> .....	<b>34</b>
		<b>DEPANNAGE</b> .....	<b>37</b>

**Índice**

<b>SEGURIDAD DE LA SECADORA</b> .....	<b>38</b>	<b>VENTILACIÓN</b> .....	<b>46</b>
<b>REQUISITOS DE INSTALACIÓN</b> .....	<b>39</b>	Requisitos de ventilación.....	46
Piezas y herramientas.....	39	Planificación del sistema de ventilación.....	47
Requisitos de ubicación .....	40	Instalación del sistema de ventilación .....	48
Requisitos eléctricos .....	41	Conexión del suministro de gas.....	49
Requisitos de gas .....	42	Conexión del ducto de escape.....	50
Instalación de las patas niveladoras .....	42	Nivelación de la secadora .....	50
Conexión eléctrica .....	43	<b>LISTA DE CONTROL DE LA INSTALACIÓN TERMINADA</b> ....	<b>51</b>
		<b>CAMBIO DEL SENTIDO DE ABERTURA</b>	
		<b>DE LA PUERTA (OPCIONAL)</b> .....	<b>51</b>
		<b>SOLUCIÓN DE PROBLEMAS</b> .....	<b>55</b>

# DRYER SAFETY

## Your safety and the safety of others are very important.

We have provided many important safety messages in this manual and on your appliance. Always read and obey all safety messages.



This is the safety alert symbol.

This symbol alerts you to potential hazards that can kill or hurt you and others.

All safety messages will follow the safety alert symbol and either the word “DANGER” or “WARNING.” These words mean:

 **DANGER**

You can be killed or seriously injured if you don't immediately follow instructions.

 **WARNING**

You can be killed or seriously injured if you don't follow instructions.

All safety messages will tell you what the potential hazard is, tell you how to reduce the chance of injury, and tell you what can happen if the instructions are not followed.



## **WARNING** - “Risk of Fire”

- Clothes dryer installation must be performed by a qualified installer.
- Install the clothes dryer according to the manufacturer’s instructions and local codes.
- Do not install a clothes dryer with flexible plastic venting materials or flexible metal (foil type) duct. If flexible metal duct is installed, it must be of a specific type identified by the appliance manufacturer as suitable for use with clothes dryers. Flexible venting materials are known to collapse, be easily crushed, and trap lint. These conditions will obstruct clothes dryer airflow and increase the risk of fire.
- To reduce the risk of severe injury or death, follow all installation instructions.
- Save these instructions.

**WARNING:** Gas leaks cannot always be detected by smell.

Gas suppliers recommend that you use a gas detector approved by UL or CSA.

For more information, contact your gas supplier.

If a gas leak is detected, follow the “What to do if you smell gas” instructions.

**WARNING:** For your safety, the information in this manual must be followed to minimize the risk of fire or explosion, or to prevent property damage, personal injury, or death.

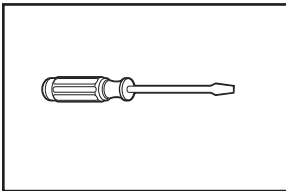
- Do not store or use gasoline or other flammable vapors and liquids in the vicinity of this or any other appliance.
- **WHAT TO DO IF YOU SMELL GAS:**
  - Do not try to light any appliance.
  - Do not touch any electrical switch; do not use any phone in your building.
  - Clear the room, building, or area of all occupants.
  - Immediately call your gas supplier from a neighbor's phone. Follow the gas supplier's instructions.
  - If you cannot reach your gas supplier, call the fire department.
- Installation and service must be performed by a qualified installer, service agency, or the gas supplier.

## INSTALLATION REQUIREMENTS

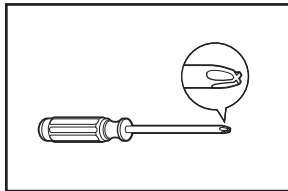
### TOOLS AND PARTS

Gather the required tools and parts before starting installation. Read and follow the instructions provided with any tools listed here.

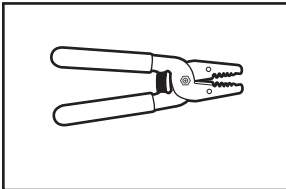
#### Tools needed for all installations:



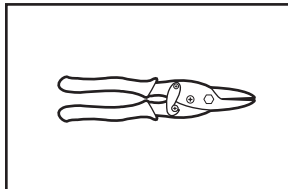
Flat-blade screwdriver



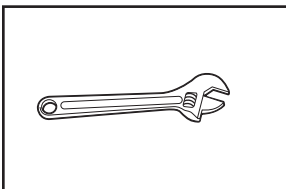
#2 Phillips screwdriver



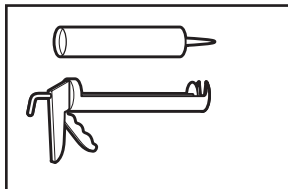
Wire stripper  
(direct wire installations)



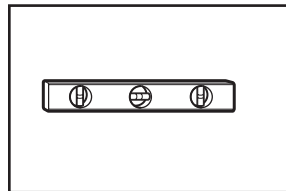
Tin snips  
(new vent installations)



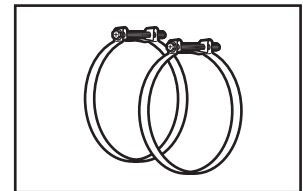
Adjustable wrench that opens to 1" (25 mm) or hex-head socket wrench



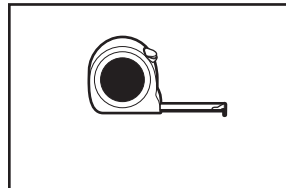
Caulking gun and compound (for installing new exhaust vent)



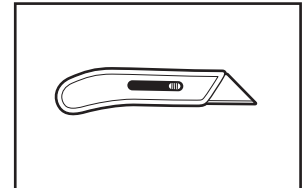
Level



Vent clamps

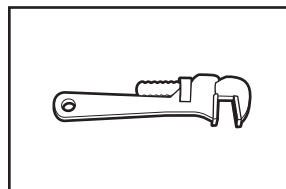


Tape measure

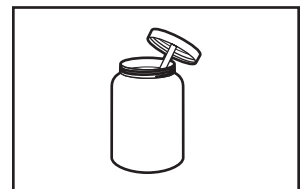


Utility knife

#### Tools needed for gas installations:

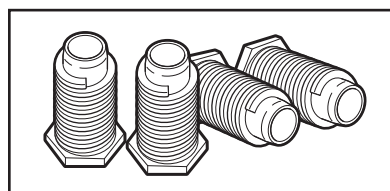


Adjustable pipe wrench that opens to 8" (204 mm) or 10" (254 mm)



Pipe joint compound resistant to LP gas

#### Parts supplied (all models):



Leveling legs (4)

Parts package is located in dryer drum. Check that all parts are included.

## Parts needed:

Check local codes. Check existing electrical supply and venting, and read "Electrical Requirements" and "Venting Requirements" before purchasing parts.

### If using a power supply cord:

Use a UL listed power supply cord kit marked for use with clothes dryers. The kit should contain:

- A UL listed 30-amp power supply cord, rated 230 volt minimum. The cord should be type SRD or SRDT and be at least 4 ft (1.22 m) long. The wires that connect to the dryer must end in ring terminals or spade terminals with upturned ends.
- A UL listed strain relief.

### For gas installation:

Check local codes and gas supplier, and read electrical, gas, and venting requirements before purchasing parts.

Gas supply line must have:

- Shutoff valve.


Rigid gas supply line must be:

- Minimum 1/2" (12.5 mm) ID pipe.

Flexible gas supply line must be:

- Minimum 3/8" (10 mm) ID approved flexible hose.

# ⚠ WARNING



**Explosion Hazard**

**Keep flammable materials and vapors, such as gasoline, away from dryer.**

**Place dryer at least 18 inches (460 mm) above the floor for a garage installation.**

**Failure to do so can result in death, explosion, or fire.**

### L.P. Gas Conversion:

A gas conversion kit, is available for purchase from your dealer. Full instructions are supplied with the kit. Conversion must be made by a competent technician.

Additional parts may be required, depending on your installation. Check local codes. Check existing venting and electrical and gas supply. Read "Electrical Requirements," "Gas Requirements," and "Venting Requirements" before purchasing parts.

## LOCATION REQUIREMENTS

### You will need:

- A location allowing for proper exhaust installation. See "Venting Requirements."
- A separate 30 amp circuit.
- If you are using power supply cord, a grounded electrical outlet located within 2 ft (610 mm) of either side of dryer.
- A sturdy floor to support the total weight (dryer and load) of 200 lbs. (90.7 kg). The combined weight of a companion appliance should also be considered.

- Level floor with maximum slope of 1" (25 mm) under entire dryer. (If slope is greater than 1" [25 mm], install Extended Dryer Feet Kit, Part Number 279810.) If not level, clothes may not tumble properly and automatic sensor cycles may not operate correctly.

Do not operate your dryer at temperatures below 45°F (7°C). At lower temperatures, the dryer might not shut off at the end of an automatic cycle. Drying times can be extended.

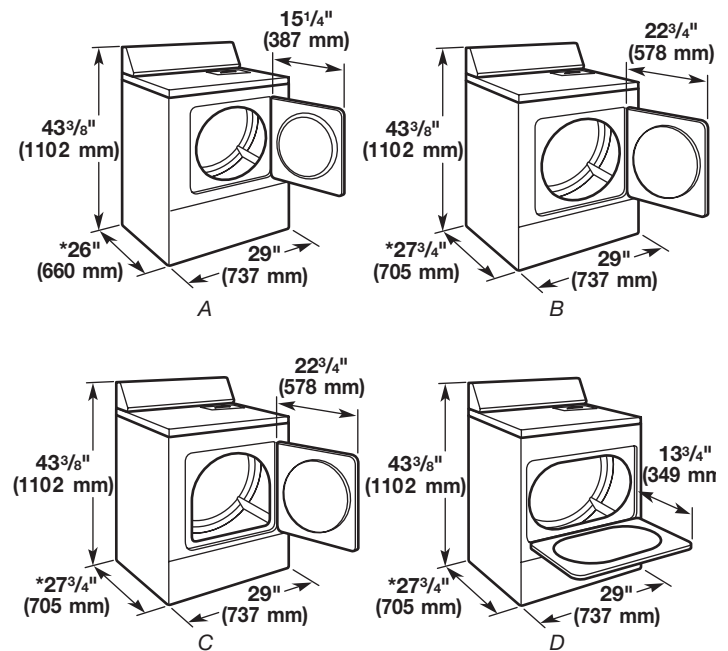
The dryer must not be installed or stored in an area where it will be exposed to water and/or weather.

Check code requirements. Some codes limit, or do not permit, installation of the dryer in garages, closets, or sleeping quarters. Contact your local building inspector.

### Installation clearances:

The location must be large enough to allow the dryer door to open fully.

### Dryer Dimensions



A. Small opening side-swing door  
B. Large opening side-swing door  
C. Wide opening side-swing door  
D. Wide opening hamper door

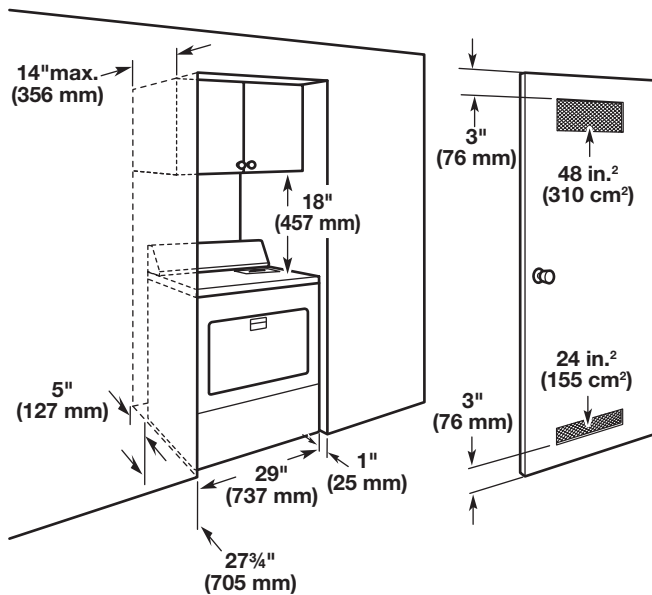
\*Most installations require a minimum 5" (127 mm) clearance behind the dryer for the exhaust vent with elbow. See "Venting Requirements."

### Minimum spacing for recessed area or closet installation

The dimensions shown are for the minimum spacing allowed.

- Additional spacing should be considered for ease of installation and servicing.
- Additional clearances might be required for wall, door, and floor moldings.
- Additional spacing of 1" (25 mm) on all sides of the dryer is recommended to reduce noise transfer.
- For closet installation, with a door, minimum ventilation openings in the top and bottom of the door are required. Louvered doors with equivalent ventilation openings are acceptable.

- Companion appliance spacing should also be considered.



A. Recessed area  
B. Side view - closet or confined area  
C. Closet door with vents

\*Additional spacing recommended

## ELECTRICAL REQUIREMENTS

### It is your responsibility:

- To contact a qualified electrical installer.
- To be sure that the electrical connection is adequate and in conformance with all local codes and ordinances.
- To supply the required 3, single phase, 230 volt, 60 Hz, AC only electrical supply on a separate 30-amp circuit (15 or 20 amp circuit for gas dryers), fused on both sides of the line. A time-delay fuse or circuit breaker is recommended. Connect to an individual branch circuit. Do not have a fuse in the neutral or grounding circuit.
- Do not use an extension cord.
- If codes permit and a separate ground wire is used, it is recommended that a qualified electrician determine that the ground path is adequate.

### Electrical Connection

To properly install your dryer, you must determine the type of electrical connection you will be using and follow the instructions provided for it here.

#### If using a power supply cord:

Use a UL listed power supply cord kit marked for use with clothes dryers. The kit should contain:

- A UL listed 30-amp power supply cord, rated 230 volt minimum. The cord should be type SRD or SRDT and be at least 4 ft (1.22 m) long. The wires that connect to the dryer must end in ring terminals or spade terminals with upturned ends.
- A UL listed strain relief.

#### Connecting by direct wire:

Power supply cable must match power supply and be:

- Flexible armored cable or nonmetallic sheathed copper cable (with ground wire), covered with flexible metallic conduit. All current-carrying wires must be insulated.
- 10-gauge solid copper wire (do not use aluminum).
- At least 5 ft (1.52 m) long.

## GROUNDING INSTRUCTIONS

- For a grounded, cord-connected dryer:  
This dryer must be grounded. In the event of malfunction or breakdown, grounding will reduce the risk of electric shock by providing a path of least resistance for electric current. The plug must be plugged into an appropriate outlet that is properly installed and grounded in accordance with all local codes and ordinances.

**WARNING:** Improper connection of the equipment-grounding conductor can result in a risk of electric shock. Check with a qualified electrician or service representative or personnel if you are in doubt as to whether the dryer is properly grounded. Do not modify the plug provided with the dryer: if it will not fit the outlet, have a proper outlet installed by a qualified electrician.

**SAVE THESE INSTRUCTIONS**

## GAS REQUIREMENTS

### ⚠ WARNING



#### Explosion Hazard

**Use a new CSA International approved gas supply line.**

**Install a shut-off valve.**

**Securely tighten all gas connections.**

**If connected to LP, have a qualified person make sure gas pressure does not exceed 13" (330 mm) water column.**

**Examples of a qualified person include:  
licensed heating personnel,  
authorized gas company personnel, and  
authorized service personnel.**

**Failure to do so can result in death, explosion, or fire.**

### OBSERVE ALL GOVERNING CODES AND ORDINANCES.

#### Gas supply:

Check that dryer is equipped with the correct burner for the particular type of gas supply. Burner information will be found on the model/serial rating plate in the door well of the dryer. If this information does not agree with the type of gas available, see your dealer.

### Natural Gas:

This dryer is factory adjusted for use with NATURAL GAS (G20), and no further adjustment should be required at installation.

### L.P. Gas:

This dryer is also certified for use with L.P. (propane or butane) gases with appropriate conversion. No attempt shall be made to convert the appliance from the gas specified on the model/serial rating plate for use with a different gas without consulting the serving gas supplier.

Conversion must be done by a qualified service technician.

Gas conversion kits are available for purchase from your dealer. Full instructions are supplied with the kit.

### Supply Line Requirements

Provide a rigid gas supply line to the dryer location. It should be minimum 1/2" (12.5 mm) ID. When acceptable to the gas supplier and local codes, 3/8" (10 mm) ID rigid supply line may be used for lengths under 20 ft (6.1 m). Pipe-joint compounds resistant to the action of L.P. gas must be used.

Gas connection to the dryer itself should be made by means of a flexible gas hose suitable for the appliance and gas category in accordance with national installation regulations. If in doubt, contact the gas supplier. It should be minimum 3/8" (10 mm) ID.

A means of restraint should be used between the appliance and the wall to prevent straining of the rigid gas supply when the appliance is moved. An appropriate length of chain and a wall hook is recommended.

The dryer gas inlet connection is a 3/8" (10 mm) NPT thread. An adapter is supplied for conversion to standard ISO.228-1 thread 3/8" BSP (10 mm).

Check for leaks by using an approved noncorrosive leak detection solution. Bubbles will show a leak. Correct any leak found. A pressure measurement tapping is provided on the gas valve within the dryer, accessible after removal of the lower front panel.

The dryer must be disconnected from the gas supply piping system during any pressure testing of that system.

## INSTALL LEVELING LEGS

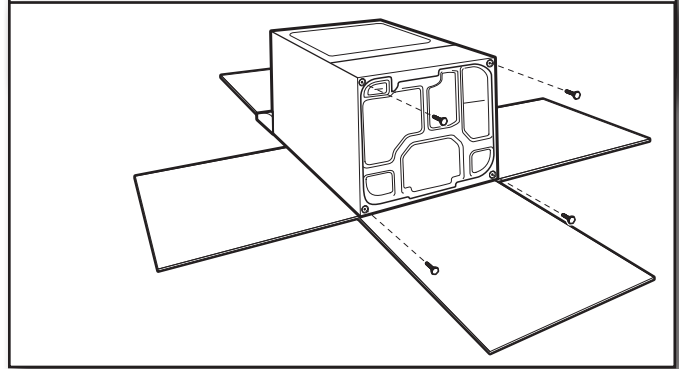
### ⚠ WARNING

#### Excessive Weight Hazard

Use two or more people to move and install dryer.

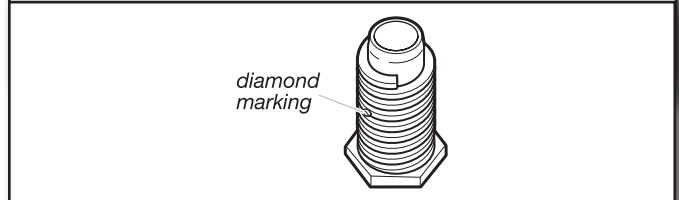
Failure to do so can result in back or other injury.

### 1. Prepare dryer for leveling legs



To avoid damaging floor, use a large flat piece of cardboard from dryer carton; place under entire back edge of dryer. Firmly grasp dryer body (not console panel) and gently lay dryer down on cardboard.

### 2. Screw in leveling legs



Examine leveling legs, find diamond marking. Screw legs into leg holes by hand, use a wrench to finish turning legs until diamond marking is no longer visible.

Now stand the dryer on its feet. Slide the dryer until it is close to its final location. Leave enough room for electrical connection and to connect the exhaust vent.

# ELECTRICAL CONNECTION

## Power Supply Cord

### **WARNING**



#### Fire Hazard

Use a new UL listed 30 amp power supply cord.  
Use a UL listed strain relief.  
Disconnect power before making electrical connections.  
Neutral wire (blue) must be connected to right terminal.  
Ground wire must be connected to center terminal.  
Active wire (brown) must be connected to left terminal.  
Securely tighten all electrical connections.  
Failure to do so can result in death, fire, or electrical shock.

## Direct Wire

### **WARNING**

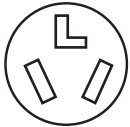


#### Fire Hazard

Use 10 gauge solid copper wire.  
Use a UL listed strain relief.  
Disconnect power before making electrical connections.  
Neutral wire (blue) must be connected to right terminal.  
Ground wire must be connected to center terminal.  
Active wire (brown) must be connected to left terminal.  
Securely tighten all electrical connections.  
Failure to do so can result in death, fire, or electrical shock.

## Electrical Connection Options

### 1. Choose electrical connection type



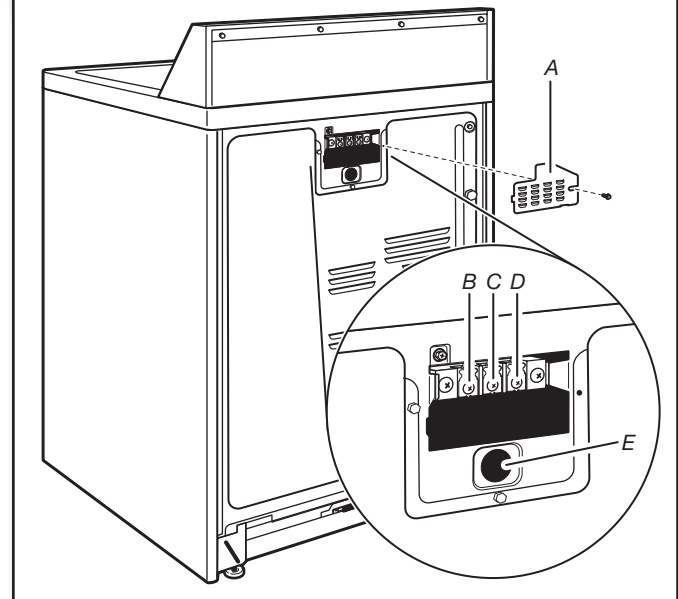
**Power supply cord (NEMA Type 10-30R):** Go to steps 1-2 on page 8 for power supply cord strain relief; then steps 3-5 for “Power Supply Cord Connection” section. Then go to “Venting Requirements.”



**Direct wire connection:** Go to steps 1-2 on page 8 for direct wire strain relief; then steps 3-7 for “Direct Wire Connection” section. Then go to “Venting Requirements.”

**NOTE:** If local codes do not permit connection of a cabinet-ground conductor to neutral wire, go to “Direct Wire” section. This connection may be used with either a power supply cord or a direct wire connection.

### 2. Remove terminal block cover

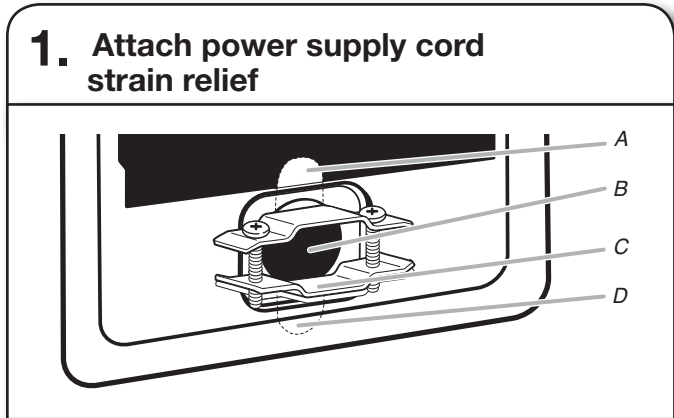


Before you start, disconnect power. Remove terminal block cover (A).

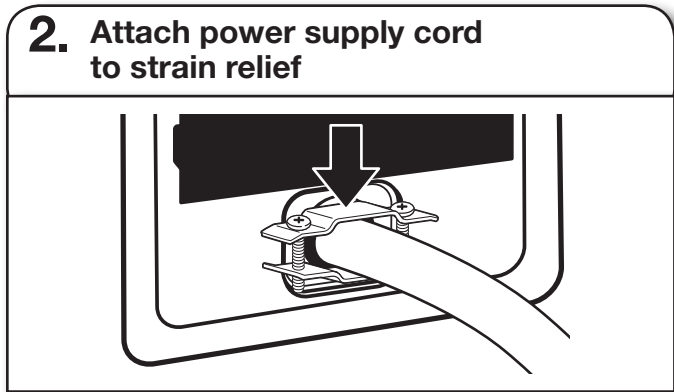
- A. Terminal block cover
- B. Active screw
- C. Ground screw
- D. Neutral screw
- E. Strain relief hole

# Install Strain Relief

## Power supply cord strain relief



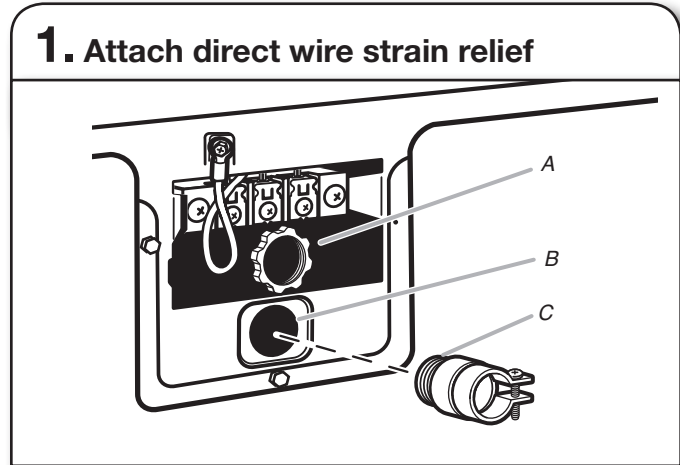
Remove the screws from a 3/4" (19 mm) UL listed strain relief (UL marking on strain relief). Put the tabs of the two clamp sections (C) into the hole (B) below the terminal block opening so that one tab is pointing up (A) and the other is pointing down (D), and hold in place. Tighten strain relief screws just enough to hold the two clamp sections (C) together.



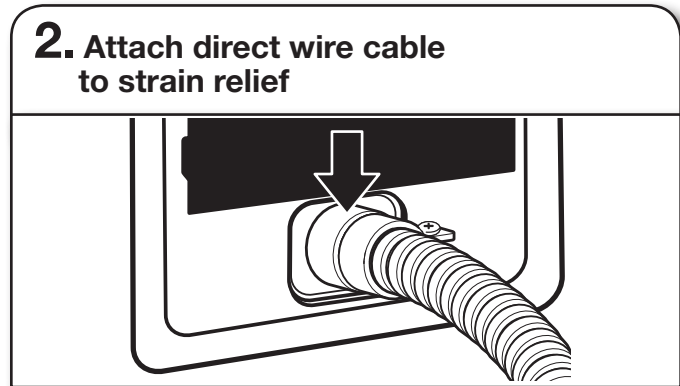
Put power supply cord through the strain relief. Be sure that the wire insulation on the power supply cord is inside the strain relief. The strain relief should have a tight fit with the dryer cabinet and be in a horizontal position. Do not further tighten strain relief screws at this point.

Go to "Power Supply Cord Connection".

## Direct wire strain relief



Unscrew the removable conduit connector (A) and any screws from a 3/4" (19 mm) UL listed strain relief (UL marking on strain relief). Put the threaded section of the strain relief through the hole (B) below the terminal block opening. Reaching inside the terminal block opening, screw the removable conduit connector onto the strain relief threads (C).

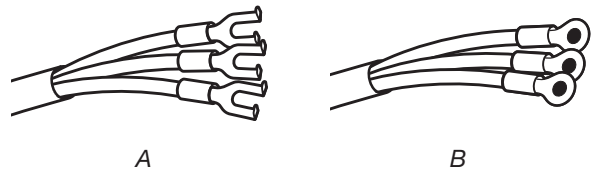


Put direct wire cable through the strain relief. The strain relief should have a tight fit with the dryer cabinet and be in a horizontal position. Tighten strain relief screws.

Go to "Direct Wire Connection".

## Power Supply Cord Connection

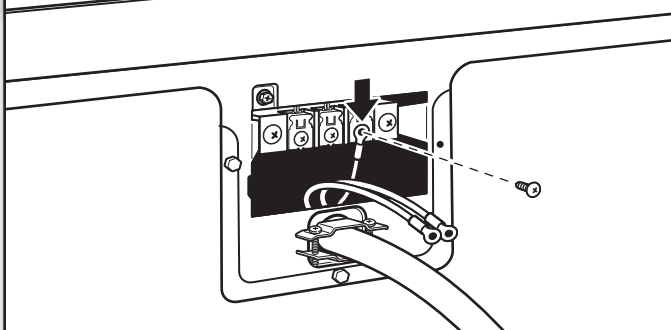
Use where local codes permit connecting cabinet-ground conductor to neutral wire.



A. Spade terminal with up turned ends  
B. 3/4" (19 mm) UL listed strain relief with ring terminals

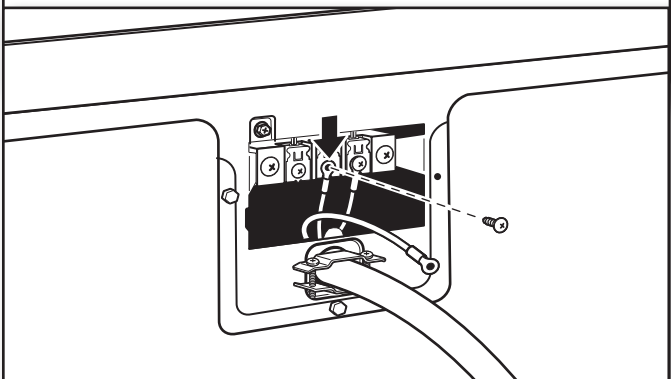


### 3. Connect neutral wire



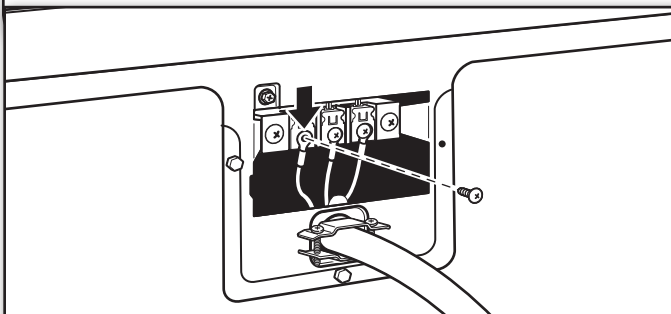
Connect neutral wire (blue) of power supply cord to the right terminal screw of the terminal block. Tighten screw.

### 4. Connect ground wire



Connect ground wire to the center terminal. Tighten screw.

### 5. Connect active wire



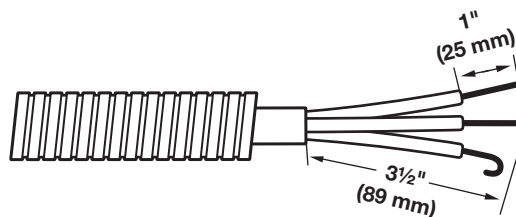
Connect active wire (brown) to the left terminal. Tighten screw and strain relief screws.

Finally, reinsert tab of terminal block cover into slot of dryer rear panel. Secure cover with hold-down screw. Now, go to "Venting Requirements".

## Direct Wire Connection

Use where local codes permit connecting cabinet-ground conductor to neutral wire.

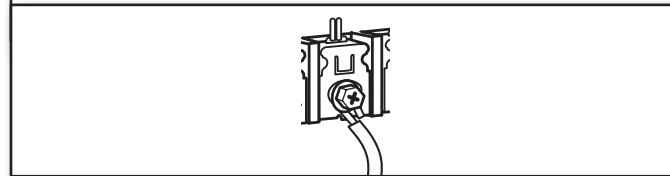
### 3. Prepare your 3-wire cable for direct connection



Direct wire cable must have 5 ft (1.52 m) of extra length so dryer may be moved if needed.

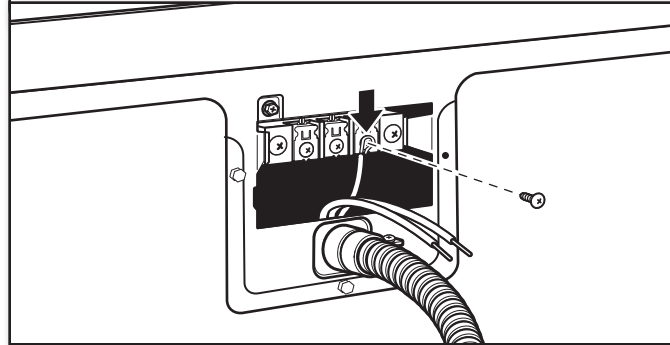
Strip 3 1/2" (89 mm) of outer covering from end of cable. Strip insulation back 1" (25 mm). If using 3-wire cable with ground wire, cut bare wire even with outer covering. Shape wire ends into hooks.

### 4. Connect wires to terminal block



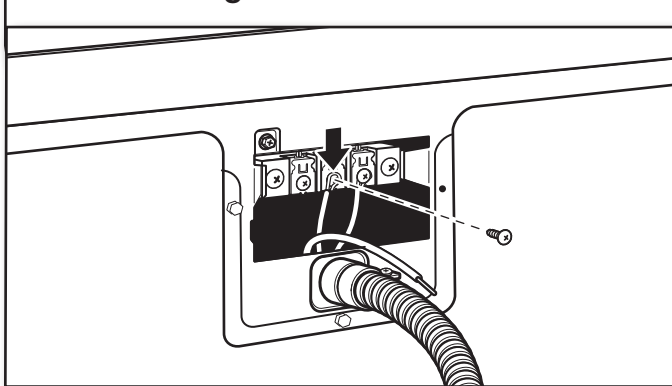
To connect wires to terminal block, place hooked end of wire under terminal block screw, facing to the right, squeeze hooked end together and tighten screw.

### 5. Connect neutral wire



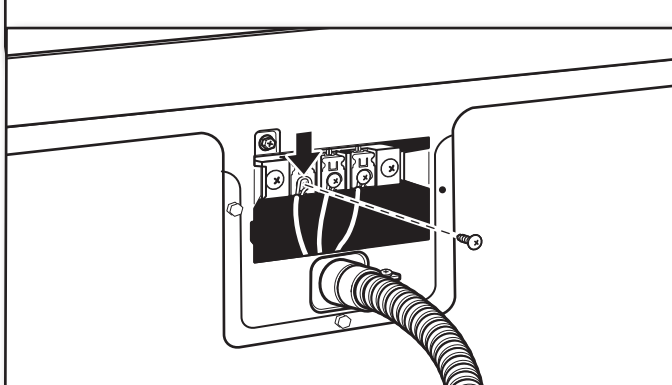
Place hooked end of neutral wire (blue) of power supply cable under the right screw of terminal block (hook facing right). Squeeze hooked end together. Tighten screw.

## 6. Connect ground wire



Place hooked end of ground wire power supply cable under the center terminal block screw (hook facing right). Squeeze hooked end together and tighten screw.

## 7. Connect active wire



Place hooked end of the active wire (brown) power supply cable under the left terminal block screw (hook facing right). Squeeze hooked end together. Tighten screw and strain relief screw.

Finally, reinsert tab of terminal block cover into slot of dryer rear panel. Secure cover with hold-down screw. Now, go to "Venting Requirements".

# VENTING

## VENTING REQUIREMENTS

### ⚠ WARNING



#### Fire Hazard

**Use a heavy metal vent.**

**Do not use a plastic vent.**

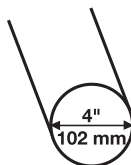
**Do not use a metal foil vent.**

**Failure to follow these instructions can result in death or fire.**

**WARNING:** To reduce the risk of fire, this dryer MUST BE EXHAUSTED OUTDOORS.

**IMPORTANT:** Observe all governing codes and ordinances.

Dryer exhaust must not be connected into any gas vent, chimney, wall, ceiling, attic, crawlspace, or a concealed space of a building. Only rigid or flexible metal vent shall be used for exhausting.



- Only a 4" (102 mm) heavy metal exhaust vent and clamps may be used.
- Do not use plastic or metal foil vent.

#### Rigid metal vent:

- Recommended for best drying performance and to avoid crushing and kinking.

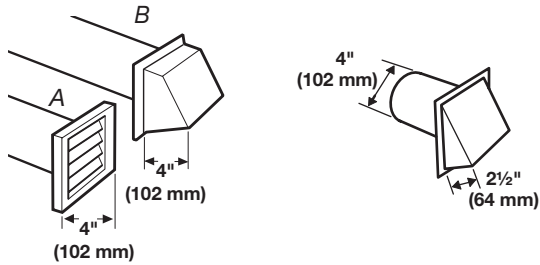
#### Flexible metal vent: (Acceptable only if accessible to clean)

- Must be fully extended and supported in final dryer location.
- Remove excess to avoid sagging and kinking that may result in reduced airflow and poor performance.
- Do not install in enclosed walls, ceilings, or floors.
- The total length should not exceed 7<sup>3</sup>/<sub>4</sub> ft (2.4 m).

**NOTE:** If using an existing vent system, clean lint from entire length of the system and make sure exhaust hood is not plugged with lint. Replace plastic or metal foil vents with rigid metal or flexible metal vents. Review Vent system chart and if necessary, modify existing vent system to achieve best drying performance.

**Exhaust hoods:**

- Must be at least 12" (305 mm) from ground or any object that may obstruct exhaust (such as flowers, rocks, bushes, or snow).

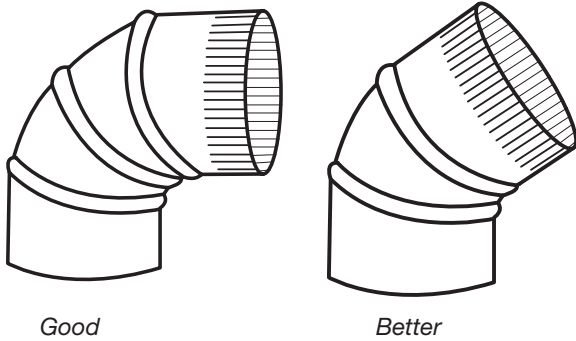


Recommended styles:  
A. Louvered hood  
B. Box hood

Acceptable styles:  
C. Angled hood

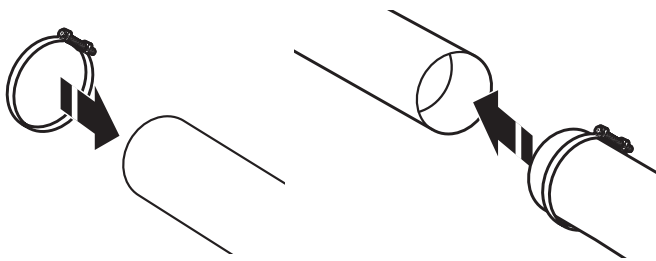
**Elbows:**

- 45° elbows provide better airflow than 90° elbows.



**Clamps:**

- Use clamps to seal all joints.
- Exhaust vent must not be connected or secured with screws or other fastening devices that extend into interior of duct and catch lint. Do not use duct tape.



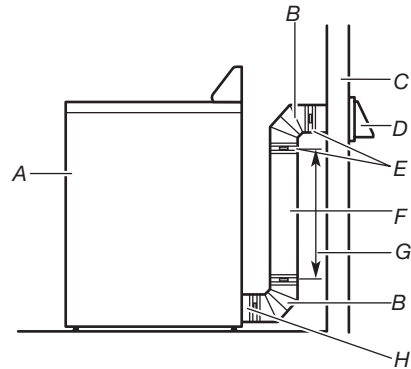
**Improper venting can cause moisture and lint to collect indoors, which may result in:**

- Moisture damage to woodwork, furniture, paint, wallpaper, carpets, etc.
- Housecleaning problems and health problems.

**PLAN VENT SYSTEM**

**Recommended exhaust installations**

Typical installations vent the dryer from the rear of the dryer. Other installations are possible.



A. Dryer  
B. Elbow  
C. Wall  
D. Exhaust hood  
E. Clamps  
F. Rigid metal or flexible metal vent  
G. Vent length necessary to connect elbows  
H. Exhaust outlet

**⚠ WARNING**

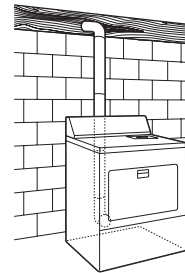
**Fire Hazard**

Cover unused exhaust holes with a manufacturer's exhaust cover kit.

Contact your local dealer.

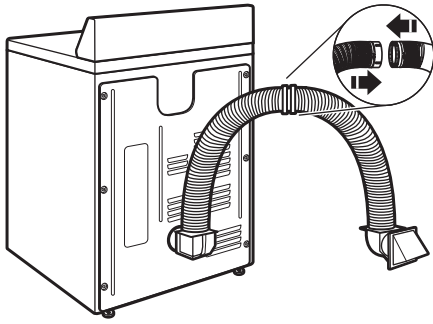
Failure to follow these instructions can result in death, fire, electrical shock, or serious injury.

Standard exhaust installation with rigid or flexible metal vent

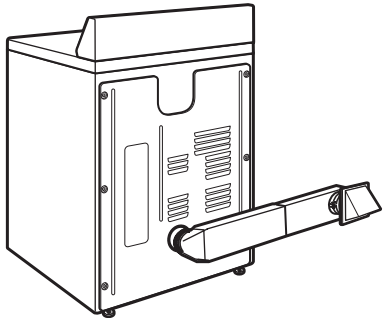


### Alternate installations for close clearances

Venting systems come in many varieties. Select the type best for your installation. Two close-clearance installations are shown. Refer to the manufacturer's instructions.



Over-The-Top installation (also available with one offset elbow)



Periscope installation

**NOTE:** The following kits for close clearance alternate installations are available for purchase. To order, please contact the dealer from whom you purchased your dryer or an authorized service company.

- Over-the-Top Installation:  
Part Number 4396028
- Periscope Installation (For use with dryer vent to wall vent mismatch):  
Part Number 4396037 - 0" (0 mm) to 18" (457.2 mm) mismatch  
Part Number 4396011 - 18" (457.2 mm) to 29" (736.6 mm) mismatch  
Part Number 4396014 - 29" (736.6 mm) to 50" (1270 mm) mismatch

### Determine vent path:

- Select route that will provide straightest and most direct path outdoors.
- Plan installation to use fewest number of elbows and turns.
- When using elbows or making turns, allow as much room as possible.
- Bend vent gradually to avoid kinking.
- Use as few 90° turns as possible.

### Determine vent length and elbows needed for best drying performance:

- Use following Vent System Chart to determine type of vent material and hood combinations acceptable to use.

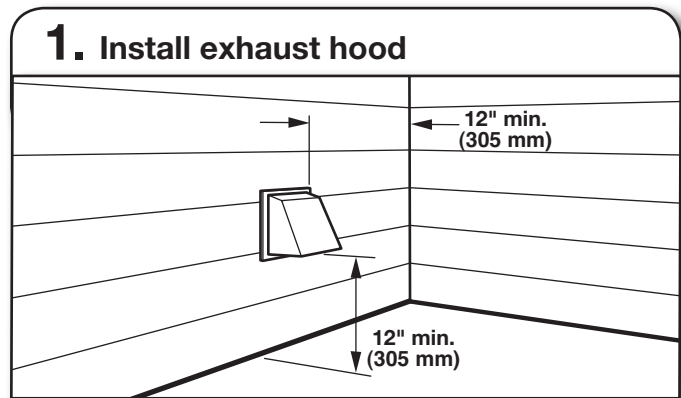
**NOTE:** Do not use vent runs longer than those specified in Vent System Chart. Exhaust systems longer than those specified will:

- Shorten life of dryer.
- Reduce performance, resulting in longer drying times and increased energy usage.

The Vent System Chart provides venting requirements that will help achieve best drying performance.

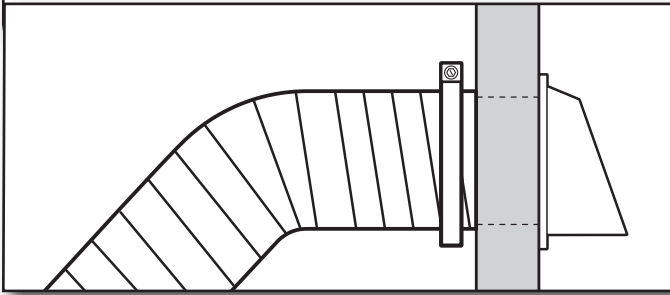
Vent System Chart			
Number of 90° turns or elbows	Type of vent	Box/louvered hoods	Angled hoods
0	Rigid metal	64 ft (20 m)	58 ft (17.7 m)
1	Rigid metal	54 ft (16.5 m)	48 ft (14.6 m)
2	Rigid metal	44 ft (13.4 m)	38 ft (11.6 m)
3	Rigid metal	35 ft (10.7 m)	29 ft (8.8 m)
4	Rigid metal	27 ft (8.2 m)	21 ft (6.4 m)

## INSTALL VENT SYSTEM



Install exhaust hood and use caulking compound to seal exterior wall opening around exhaust hood.

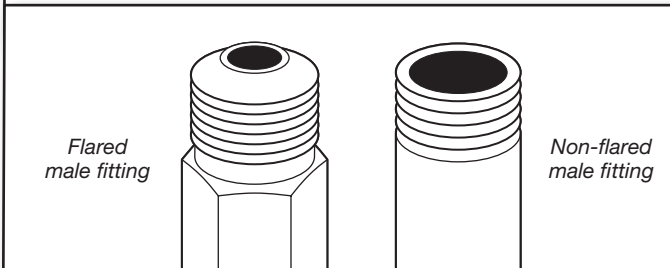
## 2. Connect vent to exhaust hood



Vent must fit over the exhaust hood. Secure vent to exhaust hood with 4" (102 mm) clamp. Run vent to dryer location using straightest path possible. Avoid 90° turns. Use clamps to seal all joints. Do not use duct tape, screws, or other fastening devices that extend into interior of vent to secure vent, because they can catch lint.

## MAKE GAS CONNECTION

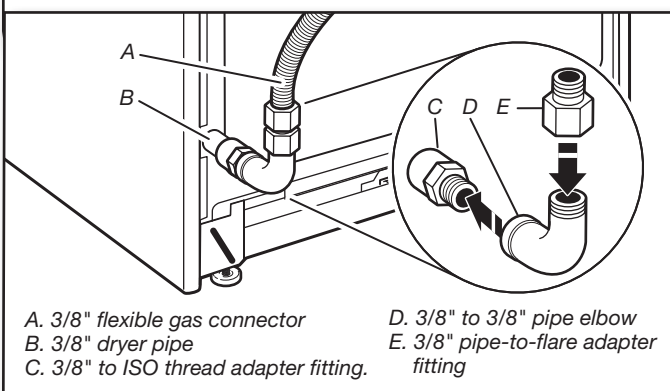
### 1. Connect gas supply to dryer



Remove red cap from gas pipe. Using a wrench to tighten, connect gas supply to dryer. Use pipe-joint compound on threads of all non-flared male fittings. If flexible metal tubing is used, be sure there are no kinks.

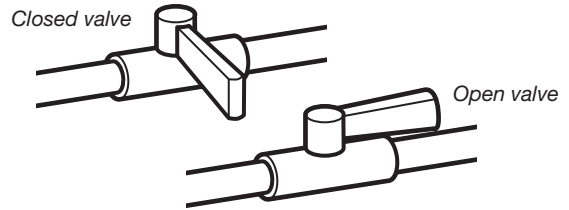
**NOTE:** For LP gas connections, you must use pipe-joint compound resistant to action of LP gas. Do not use TEFLON<sup>†</sup> tape.

### 2. Plan pipe fitting connection



A combination of pipe fittings must be used to connect dryer to existing gas line. A recommended connection is shown. Your connection may be different, according to supply line type, size, and location.

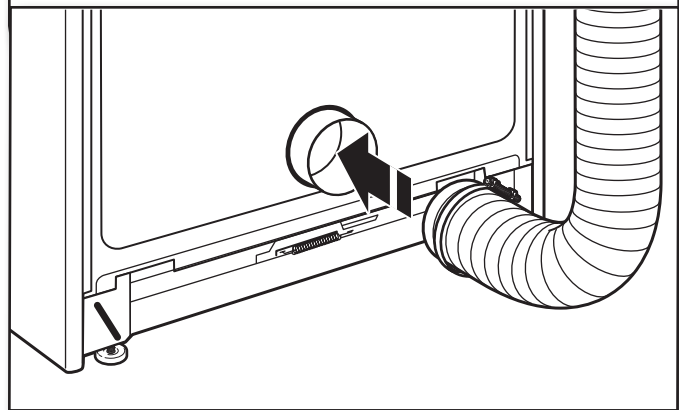
## 3. Open shut-off valve



Open shut-off valve in supply line; valve is open when handle is parallel to gas pipe. Then, test all connections by brushing on an approved noncorrosive leak-detection solution. Bubbles will show a leak. Correct any leaks found.

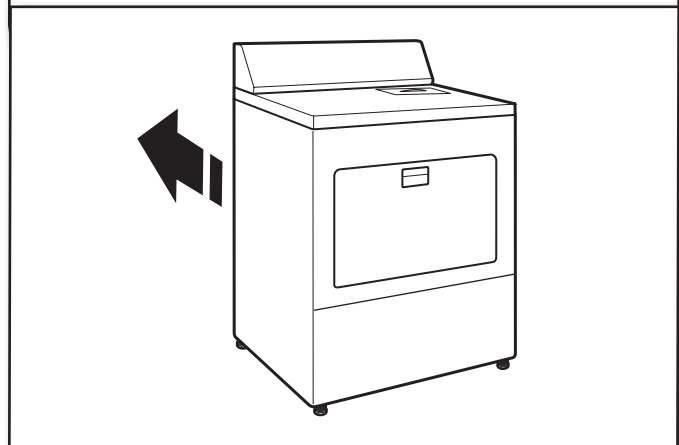
## CONNECT VENT

### 1. Connect vent to exhaust outlet



Using a 4" (102 mm) clamp, connect vent to exhaust outlet in dryer. If connecting to existing vent, make sure vent is clean. Dryer vent must fit over dryer exhaust outlet and inside exhaust hood. Check that vent is secured to exhaust hood with a 4" (102 mm) clamp.

### 2. Move dryer to final location

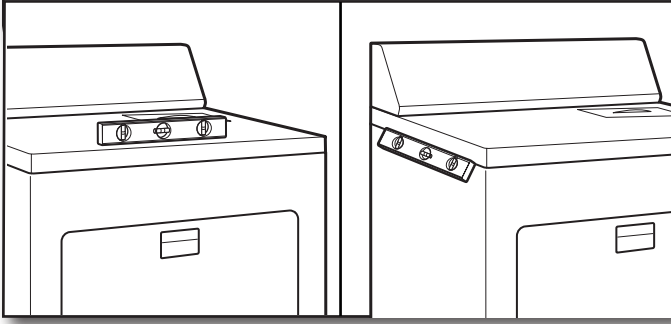


Move dryer to final location. Avoid crushing or kinking vent. After dryer is in place, remove corner posts and cardboard from under the dryer.

<sup>†</sup>TEFLON is a registered trademark of E.I. DuPont De Nemours and Company.

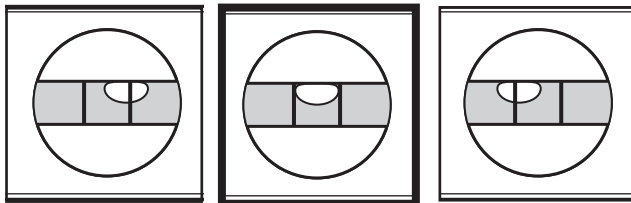
## LEVEL DRYER

### 1. Level Dryer



Check levelness of dryer from side to side. Repeat from front to back.

**NOTE:** The dryer must be level for the moisture sensing system to operate correctly.

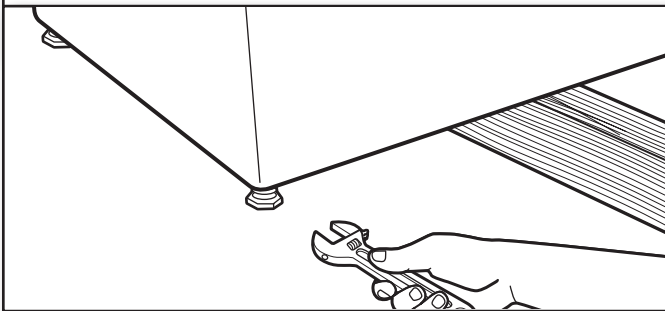


Not Level

LEVEL

Not Level

### 2. Tighten and adjust leveling legs



If dryer is not level, prop up using a wood block, use wrench to adjust legs up or down, and check again for levelness. Once legs are level, make sure all four legs are snug against the ground before tightening them.

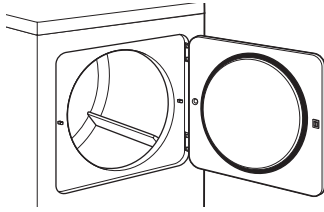
## COMPLETE INSTALLATION CHECKLIST

- Check that all parts are now installed. If there is an extra part, go back through steps to see what was skipped.
  - Check that you have all of your tools.
  - Dispose of/recycle all packaging materials.
  - Check dryer's final location. Be sure vent is not crushed or kinked.
  - For power supply cord installation, plug into an outlet. For direct wire installation, turn on power.
  - Check that dryer is level. See "Level Dryer".
  - Remove film on console and any tape remaining on dryer.
  - Wipe dryer drum interior thoroughly with a damp cloth to remove any dust.
  - Read "Dryer Use" in your Use and Care Guide.
  - Set the dryer on a full heat cycle (not an air cycle) for 20 minutes and start the dryer. (If you have a gas dryer, it is equipped with an electronic ignition system for the burner which is fully automatic; no action is needed by the user (there is no pilot light).
- If the dryer will not start, check the following:**
- Controls are set in a running or "On" position.
  - Start button has been pushed firmly.
  - Dryer is plugged into an outlet and/or electrical supply is on.
  - Household fuse is intact and tight, or circuit breaker has not tripped.
  - Dryer door is closed.
- When the dryer has been running for 5 minutes, open the dryer door and feel for heat. If you feel heat, cancel cycle and close the door.
- If you do not feel heat, turn off dryer, and check the following:**
- There may be 2 household fuses or circuit breakers for the dryer. Check that both fuses are intact and tight, or that both circuit breakers have not tripped. If there is still no heat, contact a qualified technician.

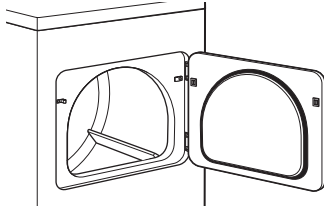
**NOTE:** You may notice an odor when the dryer is first heated. This odor is common when the heating element is first used. The odor will go away.

## REVERSE DOOR SWING (OPTIONAL)

If your door is the 29" Large Side-Swing Door, follow steps 1-6.



If your door is the 29" Super Wide Side-Swing Door, follow steps 1-13 on page 16.



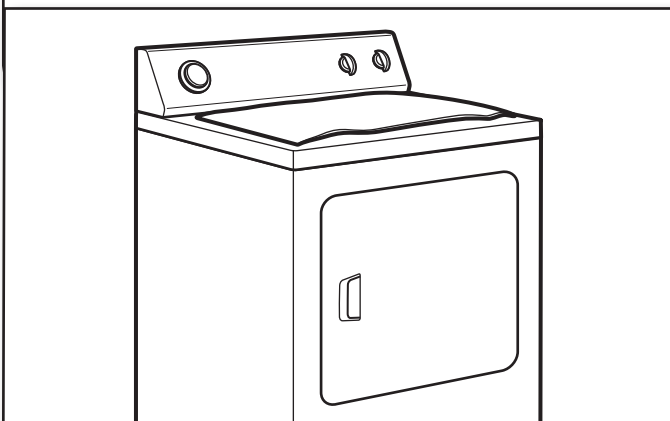
**NOTE:** Magnetized screw driver is helpful.

---

### Large Side-Swing Door

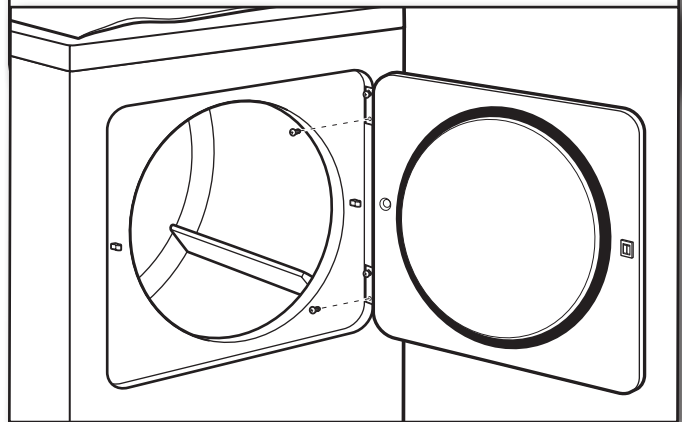
---

#### 1. Place towel on dryer



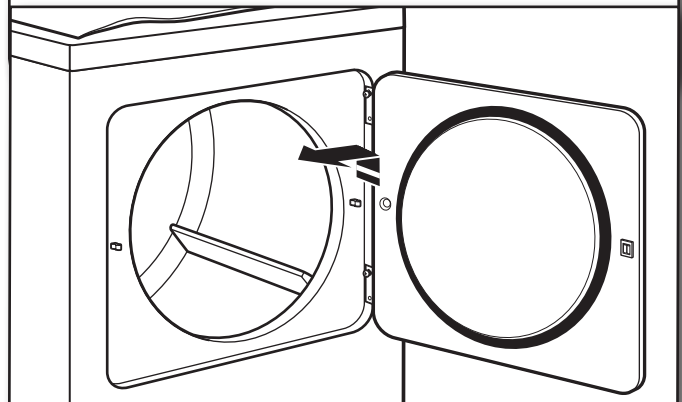
Place towel on top of dryer to avoid damaging the surface.

#### 2. Remove bottom screws



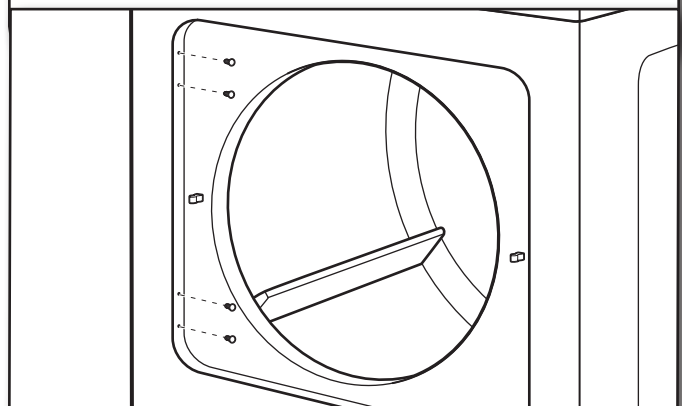
Open dryer door. Remove bottom screws from dryer cabinet side of hinges. Loosen (do not remove) top screws from dryer cabinet side of hinges.

#### 3. Lift door off top screws



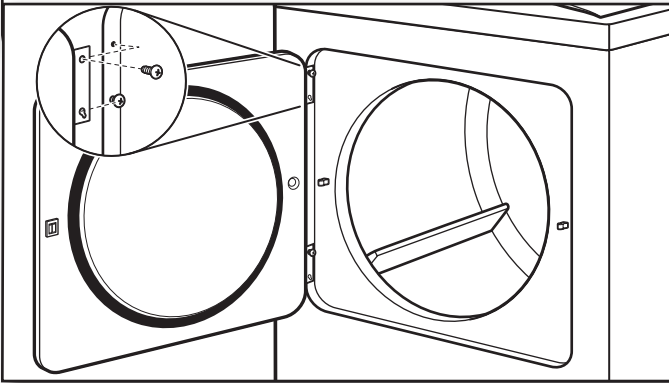
Lift door until top screws in cabinet are in large part of hinge slot. Pull door forward off screws. Set door on top of dryer. Remove top screws from dryer cabinet.

#### 4. Remove and transfer hinge hole plugs



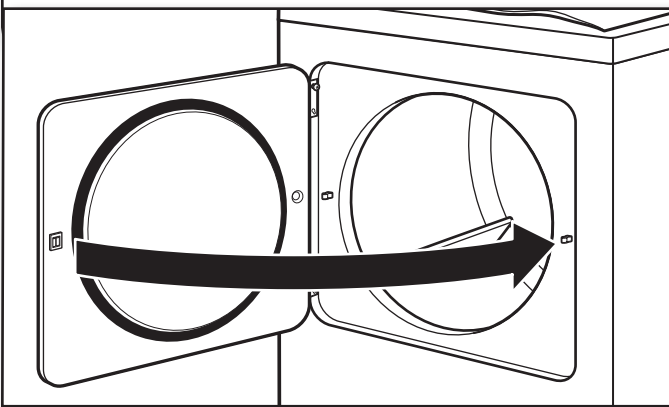
Use a small, flat-blade screwdriver to gently remove 4 hinge hole plugs on left side of dryer cabinet. Insert plugs into hinge holes on opposite side of dryer cabinet.

## 5. Insert screws in hinge holes on dryer cabinet



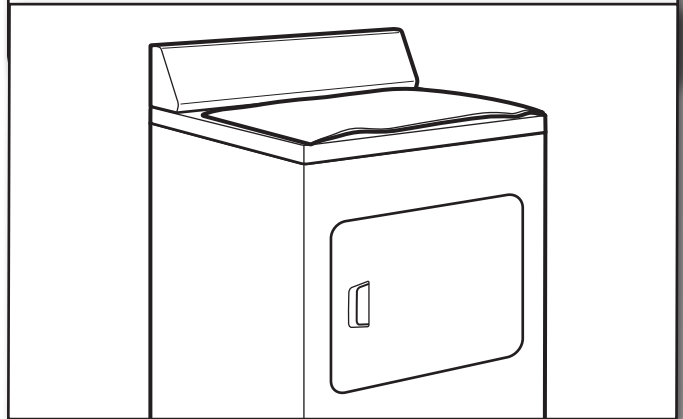
**NOTE:** Two people maybe needed to reinstall door.  
Insert screws into bottom holes on left side of dryer cabinet. Tighten screws halfway. Position door so large end of door hinge slot is over screws. Slide door up so screws are in bottom of slots. Tighten screws. Insert and tighten top screws in hinges.

## 6. Check door strike alignment



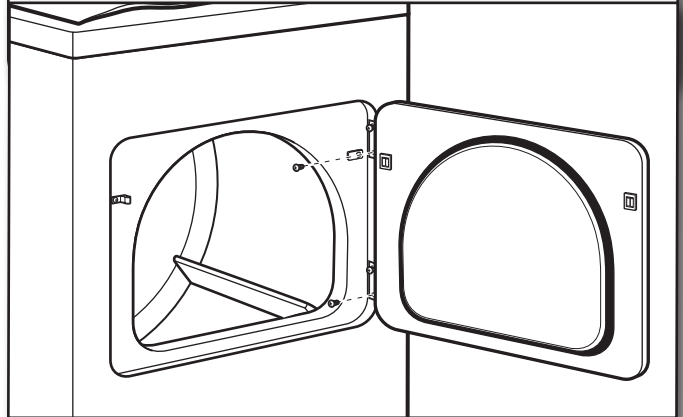
Close door and check that door strike aligns with door catch. If needed, slide door catch left or right within slot to adjust alignment.

## 1. Place towel on dryer



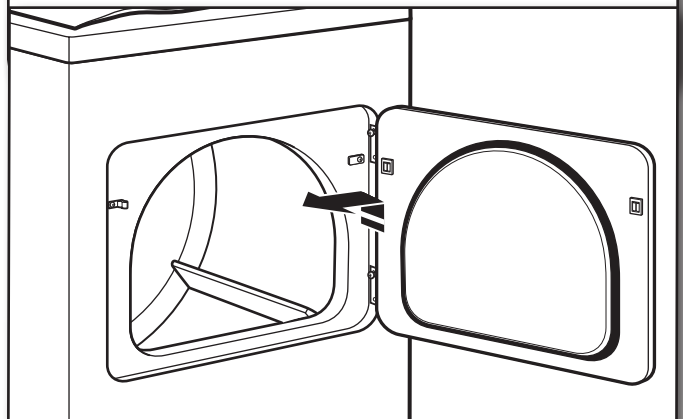
Place towel on top of dryer to avoid damaging the surface.

## 2. Remove bottom screws



Open dryer door. Remove bottom screws from dryer cabinet side of hinges. Loosen (do not remove) top screws from dryer cabinet side of hinges.

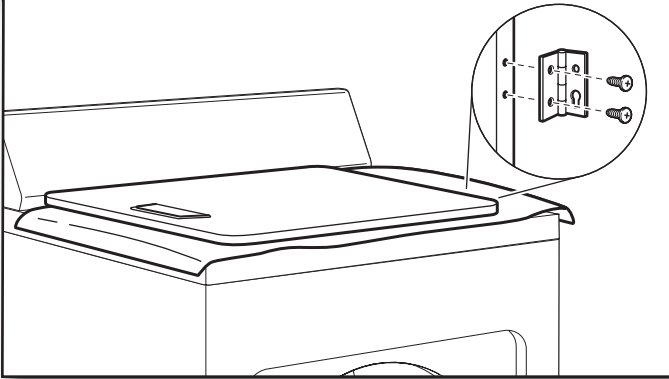
## 3. Lift door off top screws



Lift door until top screws in dryer cabinet are in large part of hinge slot. Pull door forward off screws. Set door (handle side up) on top of dryer. Remove top screws from dryer cabinet.

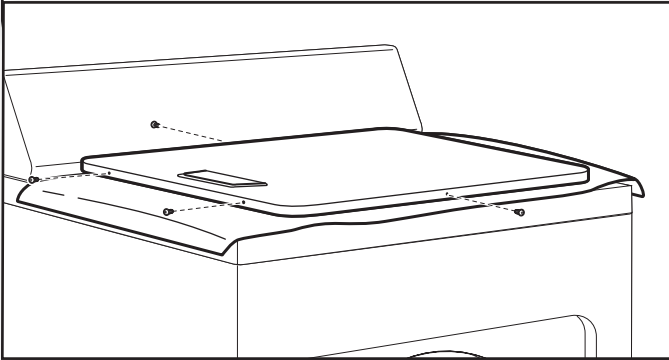


#### 4. Remove screws from hinges



Remove screws attaching hinges to door.

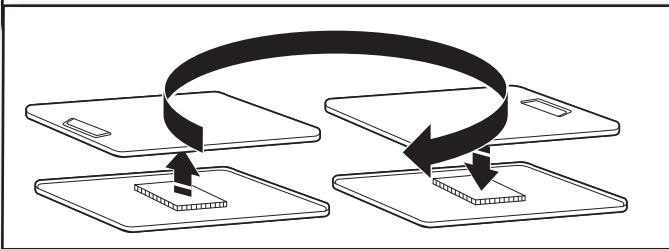
#### 5. Remove screws from door



Remove screws at top, bottom, and side of door (4 screws). Keep door screws separate from hinge screws as they are different sizes. Holding door over towel on dryer, grasp sides of outer door and lift to separate it from inner door.

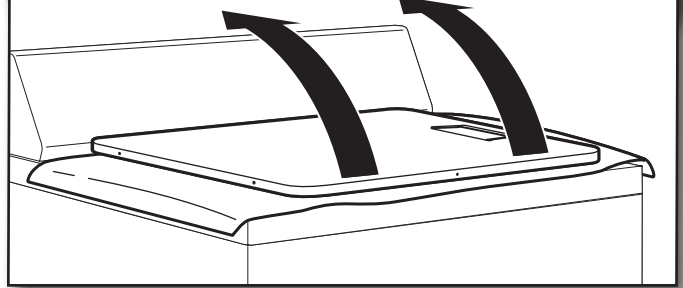
**NOTE:** Do not pry apart with putty knife or screwdriver. Do not pull on door seal or plastic door catches.

#### 6. Rotate outer door



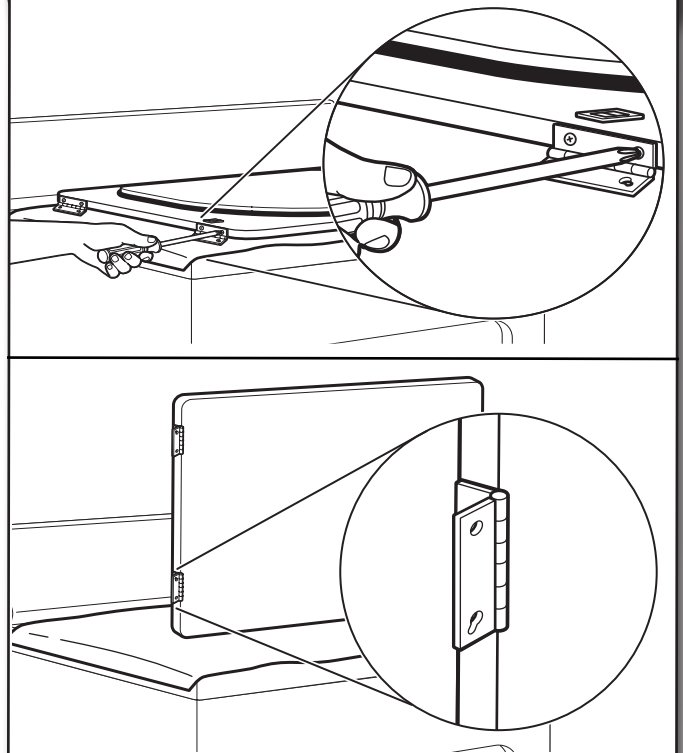
Take outer door and rotate in 180° and set it back down on inner door. Be certain to keep cardboard spacer centered between doors. Reattach outer door panel to inner door panel so handle is on the side where hinges were just removed. Insert 4 door screws.

#### 7. Flip door over



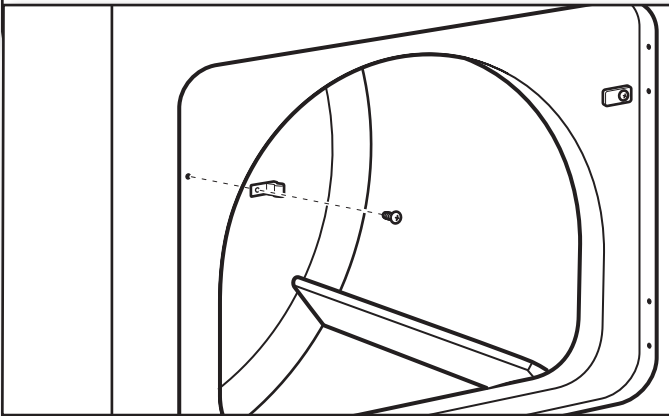
Flip door over so handle side is down.

#### 8. Attach door hinges



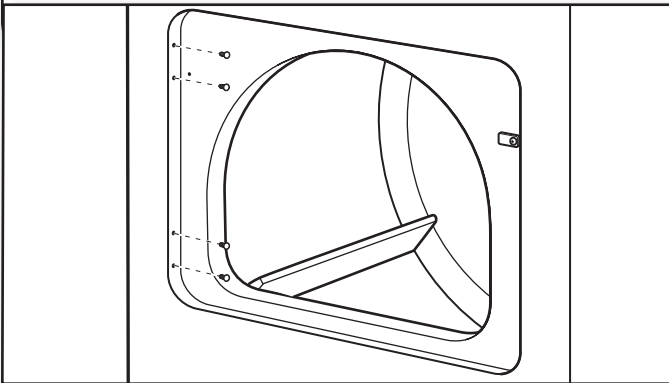
Reattach door hinges to dryer door so that the larger hole is at the bottom of the hinge.

## 9. Remove door strike



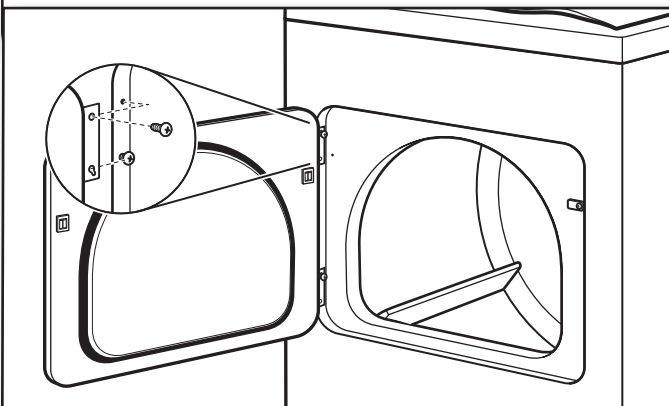
Remove door strike from dryer cabinet and set aside.

## 10. Remove and transfer hinge hole plugs



Use a small, flat-blade screwdriver to gently remove 4 hinge hole plugs on left side of dryer cabinet. Transfer plugs into hinge holes on opposite side of dryer cabinet.

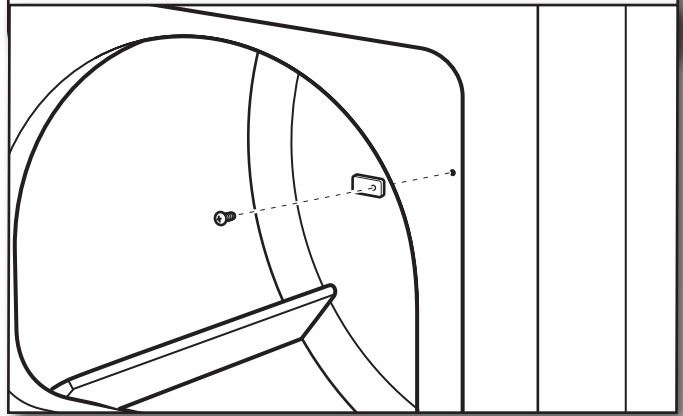
## 11. Insert screws in hinge holes on dryer cabinet



**NOTE:** Two people maybe needed to reinstall door.

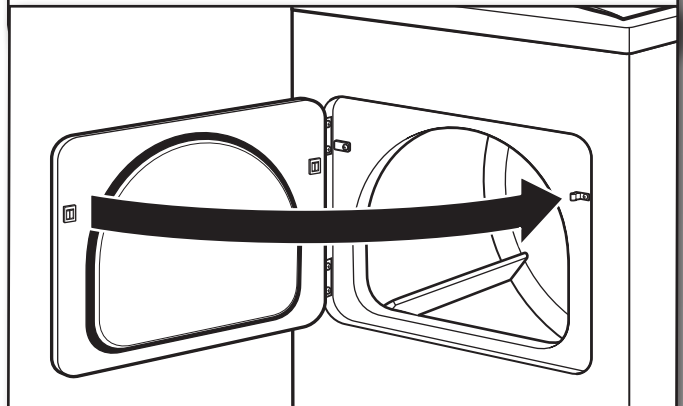
Insert screws into the bottom holes on left side of dryer cabinet. Tighten screws halfway. Position door so large end of door hinge slot is over screws. Slide door up so screws are in bottom of slots. Tighten screws. Insert and tighten top screws in hinges.

## 12. Remove door strike plug



Remove door strike plug. Insert the door strike removed in Step 9 into hole and secure with screw. Insert door strike plug into original door strike hole and secure with screw.

## 13. Check door strike alignment



Close door and check that door strike aligns with door catch. If it is needed, slide door catch left or right within slot to adjust alignment.

## Troubleshooting

See the Use and Care Guide to possibly avoid the cost of a service call.

## SECURITE DU SECHE-LINGE

### Votre sécurité et celle des autres est très importante.

Nous donnons de nombreux messages de sécurité importants dans ce manuel et sur votre appareil ménager. Assurez-vous de toujours lire tous les messages de sécurité et de vous y conformer.



Voici le symbole d'alerte de sécurité.

Ce symbole d'alerte de sécurité vous signale les dangers potentiels de décès et de blessures graves à vous et à d'autres.

Tous les messages de sécurité suivront le symbole d'alerte de sécurité et le mot "DANGER" ou "AVERTISSEMENT". Ces mots signifient :

**⚠ DANGER**

Risque possible de décès ou de blessure grave si vous ne suivez pas immédiatement les instructions.

**⚠ AVERTISSEMENT**

Risque possible de décès ou de blessure grave si vous ne suivez pas les instructions.

Tous les messages de sécurité vous diront quel est le danger potentiel et vous disent comment réduire le risque de blessure et ce qui peut se produire en cas de non-respect des instructions.



### **AVERTISSEMENT - "Risque d'incendie"**

- L'installation du sèche-linge doit être effectuée par un installateur qualifié.
- Installer le sèche-linge conformément aux instructions du fabricant et aux codes locaux.
- Ne pas installer de sèche-linge avec des matériaux d'évacuation en plastique souple. Si un conduit métallique souple (de type papier d'aluminium) est installé, celui-ci doit être d'un type spécifique identifié par le fabricant de l'appareil et convenir à une utilisation avec les sèche-linge. Les matériaux d'évacuation souples sont connus pour s'affaisser, être facilement écrasés et bloquer les peluches. Ces situations obstrueront le débit d'air du sèche-linge et augmenteront le risque d'incendie.
- Pour réduire le risque de blessure grave ou de décès, suivre toutes les instructions d'installation.
- Conserver ces instructions.

**AVERTISSEMENT** : L'odorat ne permet pas toujours la détection d'une fuite de gaz.

Les distributeurs de gaz recommandent l'emploi d'un détecteur de gaz (homologation UL ou CSA).

Pour d'autre information, contacter le fournisseur de gaz local.

En cas de détection d'une fuite de gaz, exécuter les instructions "Que faire dans le cas d'une odeur de gaz".

**AVERTISSEMENT : Pour votre sécurité, les renseignements dans ce manuel doivent être observés pour réduire au minimum les risques d'incendie ou d'explosion ou pour éviter des dommages au produit, des blessures ou un décès.**

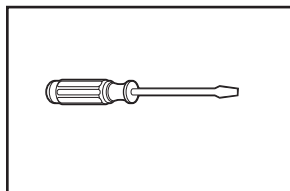
- Ne pas entreposer ou utiliser de l'essence ou d'autres vapeurs ou liquides inflammables à proximité de cet appareil ou de tout autre appareil électroménager.
- **QUE FAIRE DANS LE CAS D'UNE ODEUR DE GAZ :**
  - Ne pas tenter d'allumer un appareil.
  - Ne pas toucher à un commutateur électrique; ne pas utiliser le téléphone se trouvant sur les lieux.
  - Evacuer tous les gens de la pièce, de l'édifice ou du quartier.
  - Appeler immédiatement le fournisseur de gaz d'un téléphone voisin. Suivre ses instructions.
  - A défaut de joindre votre fournisseur de gaz, appeler les pompiers.
- L'installation, l'entretien ou les conversions pour utilisation avec d'autres sources de gaz doivent être effectués par un installateur qualifié, une agence de service ou le fournisseur de gaz.

## EXIGENCES D'INSTALLATION

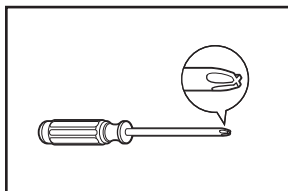
### OUTILLAGE ET PIÈCES

Rassembler les outils et pièces nécessaires avant de commencer l'installation. Lire et suivre les instructions fournies avec les outils indiqués ici.

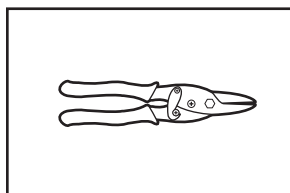
#### Outils nécessaires pour toutes les installations :



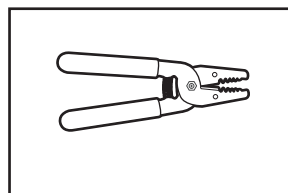
Tournevis à lame plate



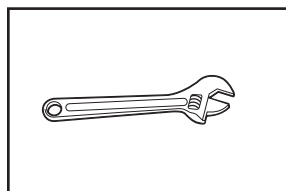
Tournevis Phillips no 2



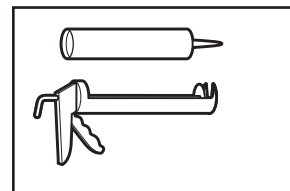
Cisaille de ferblantier  
(pour l'installation d'un nouveau conduit)



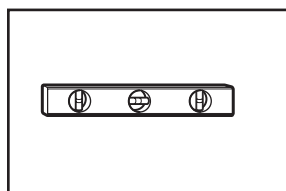
Pince à dénuder les fils  
(pour les installations à raccordement direct)



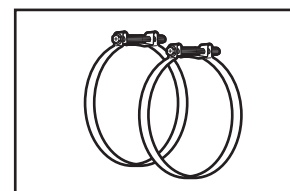
Clé à molette avec ouverture jusqu'à 25 mm (1") ou clé à douille à tête hexagonale



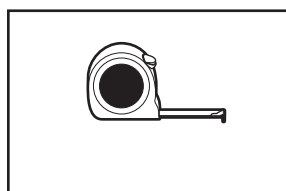
Pistolet à calfeutrage et composé de calfeutrage (pour l'installation d'un nouveau circuit d'évacuation)



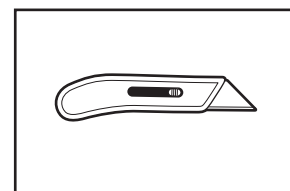
Niveau



Clapets d'évacuation

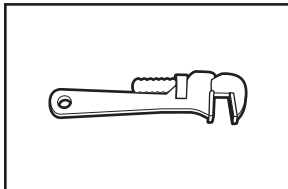


Mètre ruban

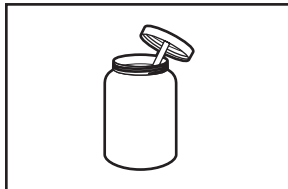


Couteau utilitaire

## Outils nécessaires aux installations au gaz :

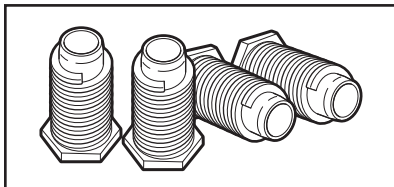


Clé à tuyau réglable qui s'ouvre jusqu'à 204 mm (8") ou 254 mm (10")



Composé d'étanchéité des raccords filetés – résistant au gaz propane

## Pièces fournies (tous les modèles) :



Pieds de nivellement (4)

Le sachet de pièces se trouve dans le tambour du sèche-linge. Vérifier que toutes les pièces sont présentes.

### Pièces nécessaires :

Consulter les codes locaux. Vérifier l'alimentation électrique et le circuit d'évacuation existants. Voir "Spécifications électriques" et "Exigences concernant l'évacuation" avant d'acheter les pièces.

### En cas d'utilisation d'un câble d'alimentation électrique :

Utiliser un ensemble de câble d'alimentation électrique homologué UL marqué compatible avec les sèche-linge. L'ensemble doit contenir :

- Un câble d'alimentation électrique homologué UL de 30 ampères, 230 volts minimum. Le cordon doit être de type SRD ou SRDT et mesurer au moins 1,22 m (4 ft) de long. Les fils raccordés au sèche-linge doivent se terminer par des cosses rondes ou à fourche à pointes relevées.
- Un serre-câble (homologation UL).

### Pour une installation au gaz :

Consulter la réglementation locale et le fournisseur de gaz, et lire les exigences relatives au branchement électrique, au gaz et à l'évacuation avant d'acheter des pièces.

La conduite d'alimentation en gaz doit comprendre :

- Un robinet d'arrêt

La conduite rigide d'alimentation en gaz doit respecter les exigences suivantes :

- Un tuyau de 12,5 mm (1/2") de diamètre intérieur minimum

La conduite flexible d'alimentation en gaz doit respecter les exigences suivantes :

- Conduite flexible homologuée de 10 mm (3/8") de diamètre intérieur minimum

## AVERTISSEMENT



### Risque d'explosion

**Garder les matières et les vapeurs inflammables, telle que l'essence, loin du sèche-linge.**

**Placer le sèche-linge au moins 460 mm (18 po) au-dessus du plancher pour une installation dans un garage.**

**Le non-respect de ces instructions peut causer un décès, une explosion ou un incendie.**

### Conversion au gaz butane/propane :

Un ensemble de conversion de gaz est disponible à l'achat chez votre marchand. Toutes les instructions sont fournies dans cet ensemble. Un technicien qualifié doit effectuer la conversion.

Des pièces supplémentaires seront peut-être nécessaires, selon l'installation. Consulter les codes locaux. Vérifier la ventilation et les alimentations en gaz et électrique existantes. Voir "Exigences concernant l'installation électrique", "Exigences concernant l'alimentation en gaz" et "Exigences concernant l'évacuation" avant d'acheter les pièces.

## EXIGENCES D'EMPLACEMENT

### On a besoin de :

- Un emplacement permettant une évacuation appropriée. Voir "Exigences concernant l'évacuation".
- Un circuit séparé de 30 ampères.
- Si on utilise un cordon d'alimentation, une prise électrique avec liaison à la terre située à moins de 610 mm (2 ft) de l'un des côtés du sèche-linge. Voir "Spécifications électriques".
- Un plancher robuste capable de supporter le poids du sèche-linge (sèche-linge et charge) de 90,7 kg (200 lb). Il faut aussi prendre en compte le poids combiné d'un appareil ménager voisin.
- Un plancher de niveau ayant une pente maximale de 25 mm (1") sous l'ensemble du sèche-linge. Si la pente est supérieure à 25 mm (1"), installer un ensemble de pieds d'extension pour sèche-linge, pièce n° 279810. Si le sèche-linge n'est pas d'aplomb, le linge peut ne pas culbuter convenablement, et les programmes automatiques commandés par détecteur peuvent ne pas fonctionner correctement.

Ne pas faire fonctionner le sèche-linge à une température inférieure à 7°C (45°F). A des températures inférieures, le sèche-linge risque de ne plus s'arrêter à la fin d'un programme automatique. Les temps de séchage risquent alors d'augmenter.

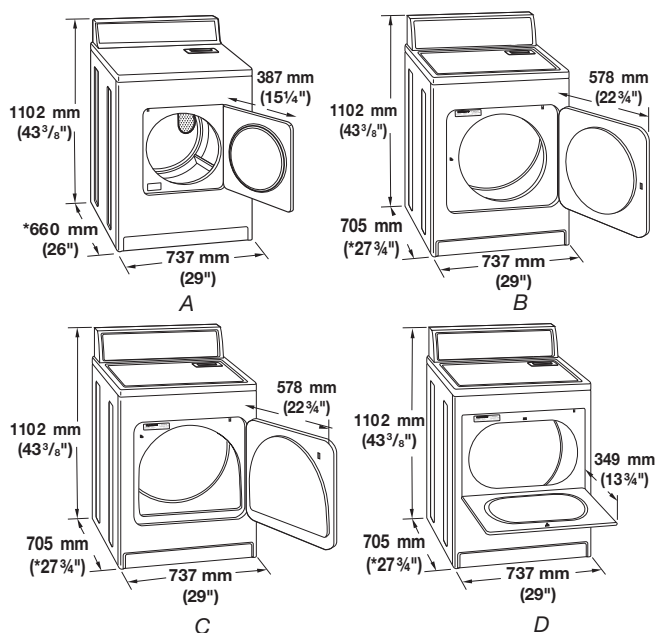
Le sèche-linge ne doit pas être installé ou remisé dans un endroit où il sera exposé à l'eau et/ou aux intempéries.

Vérifier les règlements locaux. Certains codes limitent ou n'autorisent pas l'installation des sèche-linge dans un garage, un placard ou une chambre à coucher. Communiquer avec l'inspecteur des bâtiments local.

### Espacements d'installation :

L'emplacement doit être assez grand pour permettre d'ouvrir complètement la porte du sèche-linge.

## Dimensions du sèche-linge



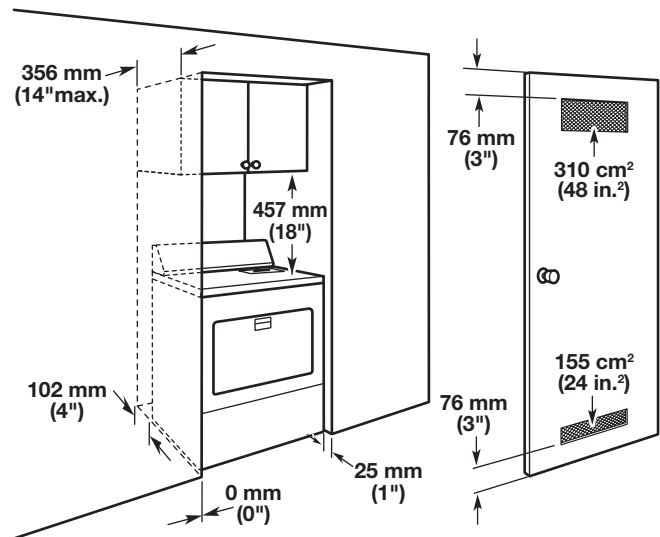
A. Porte à pivotement latéral à petite ouverture  
 B. Porte à pivotement latéral à grande ouverture  
 C. Porte à pivotement latéral à large ouverture  
 D. Porte rabattable à large ouverture

\*La plupart des installations requièrent un espace minimum de 127 mm (5") derrière le sèche-linge pour le conduit d'évacuation avec coude. Voir "Exigences concernant l'évacuation".

### Dégagement minimal pour une installation dans un encastrement ou un placard

Les dimensions correspondent à l'espacement minimum permis.

- Prévoir davantage d'espace pour faciliter l'installation et l'entretien.
- Un espace supplémentaire peut être requis pour les moulures de porte et de plancher et pour les plinthes.
- Un espace supplémentaire de 25 mm (1") doit être envisagé de chaque côté du sèche-linge afin de réduire le transfert de bruit.
- Pour installation dans un placard avec porte, on doit prévoir des ouvertures minimums d'entrée d'air en haut et en bas de la porte. Les portes à claire-voie offrant des ouvertures équivalentes de passage de l'air sont acceptables.
- Il faut aussi prendre en compte l'espace requis entre les appareils voisins.



A. Encastrement  
 B. Vue latérale - placard ou endroit exigu  
 C. Porte du placard avec orifices d'entrée d'air

\*Espace supplémentaire recommandé

## SPECIFICATIONS ELECTRIQUES

**C'est à l'utilisateur qu'incombe la responsabilité de :**

- Contacter un électricien qualifié.
- Veiller à ce que le branchement électrique soit correctement effectué et conforme aux prescriptions de tous les codes et règlements locaux en vigueur.
- Fournir une alimentation de 230 VCA, 60 Hz monophasée à 3 fils, sur un circuit séparé de 30 ampères (15 ou 20 ampères pour les sèche-linge à gaz) protégé par fusible aux deux extrémités de la ligne. On recommande d'utiliser un fusible ou un disjoncteur temporisé. On recommande également que cet appareil soit alimenté par un circuit indépendant. Ne pas avoir de fusible dans le circuit neutre ou de liaison à la terre.
- Ne pas utiliser de câble de rallonge.
- Si les codes le permettent et si l'on utilise un conducteur distinct de liaison à la terre, il est recommandé qu'un électricien qualifié vérifie la qualité de la liaison à la terre.

### Raccordement électrique

Pour installer le sèche-linge de façon appropriée, il faut déterminer le type de raccordement électrique à utiliser et suivre les présentes instructions.

**En cas d'utilisation d'un câble d'alimentation électrique :**

Utiliser un ensemble de câble d'alimentation électrique homologué UL marqué compatible avec les sèche-linge. L'ensemble doit contenir :

- Un câble d'alimentation électrique homologué UL de 30 ampères, 230 volts minimum. Le cordon doit être de type SRD ou SRDT et mesurer au moins 1,22 m (4 ft) de long. Les fils raccordés au sèche-linge doivent se terminer par des cosses rondes ou à fourche à pointes relevées.
- Un serre-câble (homologation UL).

### Raccordement direct :

Le câble doit correspondre à l'alimentation électrique et présenter les caractéristiques suivantes :

- Un câble en cuivre à gaine non métallique ou blindé souple (avec fil de liaison à la terre), avec conduit métallique souple. Tous les fils sous tension doivent être isolés.
- Fil en cuivre plein de calibre 10 (ne pas utiliser d'aluminium).
- Longueur d'au moins 1,52 m (5 ft).

### INSTRUCTIONS DE LIAISON À LA TERRE

- Pour un sèche-linge relié à la terre et connecté par un cordon :

Ce sèche-linge doit être relié à la terre. En cas de mauvais fonctionnement ou de panne, la liaison à la terre réduira le risque de choc électrique en offrant au courant électrique un acheminement d'évacuation de moindre résistance. La fiche doit être branchée sur une prise appropriée qui est bien installée et reliée à la terre conformément à tous les codes et règlements locaux.

**AVERTISSEMENT :** Le raccordement incorrect de cet appareil au conducteur de liaison à la terre peut susciter un risque de choc électrique. En cas de doute quant à la qualité de liaison à la terre du sèche-linge, consulter un électricien ou un technicien ou un personnel qualifié. Ne pas modifier la fiche de branchement fournie avec le sèche-linge; si la fiche ne correspond pas à la configuration de la prise de courant, demander à un électricien qualifié d'installer une prise de courant appropriée.

### CONSERVEZ CES INSTRUCTIONS

## EXIGENCES CONCERNANT L'ALIMENTATION EN GAZ

### ⚠ AVERTISSEMENT



#### Risque d'explosion

**Utiliser une canalisation neuve d'arrivée de gaz approuvée par CSA International.**

**Installer un robinet d'arrêt.**

**Bien serrer chaque organe de connexion de la canalisation de gaz.**

**En cas de connexion au gaz propane, demander à une personne qualifiée de s'assurer que la pression de gaz ne dépasse pas 330 mm (13 po) de la colonne d'eau.**

**Par personne qualifiée, on comprend :**

**le personnel autorisé de chauffage,  
le personnel autorisé d'une compagnie de gaz, et  
le personnel d'entretien autorisé.**

**Le non-respect de ces instructions peut causer un décès, une explosion ou un incendie.**

### RESPECTER LES DISPOSITIONS DE TOUS LES CODES ET REGLEMENTS EN VIGUEUR.

#### Alimentation en gaz :

Vérifier que le sèche-linge est équipé du brûleur approprié correspondant au type de gaz utilisé. Les informations concernant le brûleur se trouvent sur la plaque signalétique située sur la paroi interne de la porte du sèche-linge. Si l'information ne correspond pas au type de gaz disponible, consulter votre revendeur.

#### Gaz naturel :

Ce sèche-linge est configuré en usine pour l'utilisation au GAZ NATUREL (G20) et aucun réglage supplémentaire n'est nécessaire lors de l'installation.

#### Gaz butane/propane :

Ce sèche-linge est également homologué pour une utilisation avec des gaz de pétrole liquéfiés (propane ou butane) avec la conversion appropriée. Ne pas entreprendre de convertir l'appareil pour une utilisation avec un gaz différent de celui indiqué sur la plaque signalétique sans d'abord consulter le fournisseur de gaz.

La conversion doit être effectuée par un technicien qualifié.

Des ensembles de conversion de gaz sont disponibles à l'achat chez votre revendeur. Toutes les instructions sont fournies dans cet ensemble.

#### Exigences concernant la conduite d'alimentation

Installer une conduite rigide d'alimentation en gaz à l'emplacement du sèche-linge. Le diamètre interne minimal de la conduite doit être de 12,5 mm (1/2"). Lorsque les codes locaux et votre fournisseur de gaz l'autorisent, une conduite rigide de diamètre intérieur de 10 mm (3/8") peut être utilisée pour des longueurs inférieures à 6,1 m (20 ft). Un produit d'étanchéité résistant à l'action du gaz propane/butane doit être utilisé pour les joints des conduites.

Le raccordement au gaz du sèche-linge lui-même doit être effectué au moyen d'une conduite de gaz flexible qui convienne à l'appareil et corresponde à la catégorie de gaz, conformément aux règlements d'installation nationaux. En cas de doute, contacter le fournisseur de gaz. Le diamètre interne minimal de la conduite doit être de 10 mm (3/8").

Un dispositif de fixation doit être installé entre l'appareil ménager et le mur afin d'éviter que la conduite d'alimentation en gaz rigide ne subisse de tension lors d'un déplacement de l'appareil. Il est recommandé d'utiliser une chaîne de longueur appropriée et un crochet mural.

Le raccordement de la conduite d'alimentation en gaz du sèche-linge est un filetage NPT de 10 mm (3/8"). Un raccord est fourni pour la conversion à un filetage standard ISO.228-1 de 10 mm (3/8" BSP).

Vérifier l'absence de fuites en utilisant une solution de détection non-corrosive homologuée. L'apparition de bulles indique la présence d'une fuite. Réparer toute fuite éventuelle. Un dispositif de mesure de la pression est fourni avec le robinet de gaz à l'intérieur du sèche-linge; on peut y accéder après avoir retiré le panneau avant inférieur.

Le sèche-linge doit être déconnecté du système d'alimentation en gaz lors de tout test de pression.

## INSTALLATION DES PIEDS DE NIVELLEMENT

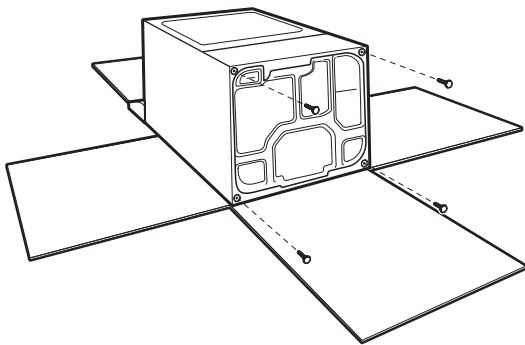
### **⚠ AVERTISSEMENT**

#### **Risque du poids excessif**

**Utiliser deux ou plus de personnes pour déplacer et installer le sèche-linge.**

**Le non-respect de cette instruction peut causer une blessure au dos ou d'autre blessure.**

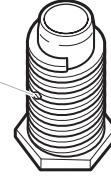
### **1. Préparer le sèche-linge pour les pieds de nivellement**



Pour ne pas endommager le plancher, utiliser un grand morceau de carton découpé dans l'emballage du sèche-linge; le placer sous tout le bord arrière du sèche-linge. Saisir fermement le sèche-linge par la caisse (non par le panneau de commande) et incliner soigneusement le sèche-linge sur le carton.

### **2. Visser dans les pieds de nivellement**

*symbole en forme de losange*



Examiner les pieds de nivellement, trouver le symbole en forme de losange. Introduire manuellement les vis des pieds dans les trous pour pieds, utiliser une clé à molette pour visser les pieds jusqu'à ce que le symbole de losange ne soit plus visible.

A présent, redresser le sèche-linge et le placer sur ses pieds. Faire glisser le sèche-linge jusqu'à ce qu'il se trouve à proximité de son emplacement final. Laisser suffisamment d'espace pour pouvoir réaliser les branchements électriques et raccorder le conduit d'évacuation.



# RACCORDEMENT ELECTRIQUE

## Cordon d'alimentation

### AVERTISSEMENT



#### Risque d'incendie

Utiliser un cordon d'alimentation électrique neuf homologué UL de 30 ampères.

Utiliser un réducteur de tension homologué UL.

Déconnecter la source de courant électrique avant de réaliser les connexions électriques.

Connecter le conducteur neutre (bleu) à la borne de droite.

Connecter le conducteur de liaison à la terre à la borne centrale.

Connecter le conducteur actif (marron) à la borne de gauche.

Bien serrer chaque organe de connexion du branchement électrique.

Le non-respect de cette instruction peut causer un décès, un incendie ou un choc électrique.

## Raccordement par câblage direct

### AVERTISSEMENT



#### Risque d'incendie

Utiliser du fil en cuivre solide de calibre 10.

Utiliser un réducteur de tension homologué UL.

Déconnecter la source de courant électrique avant de réaliser les connexions électriques.

Connecter le conducteur neutre (bleu) à la borne de droite.

Connecter le conducteur de liaison à la terre à la borne centrale.

Connecter le conducteur actif (marron) à la borne de gauche.

Bien serrer chaque organe de connexion du branchement électrique.

Le non-respect de cette instruction peut causer un décès, un incendie ou un choc électrique.

## Options de raccordement électrique

### 1. Choisir le type de raccordement électrique



**Cordon d'alimentation électrique (NEMA Type 10-30R) :** Consulter les étapes 1 à 2 de la page 26 pour les instructions sur le serre-câble pour cordon d'alimentation, puis les étapes 3 à 5 de la section "Raccordement du câble d'alimentation". Ensuite, lire la section "Exigences concernant l'évacuation".

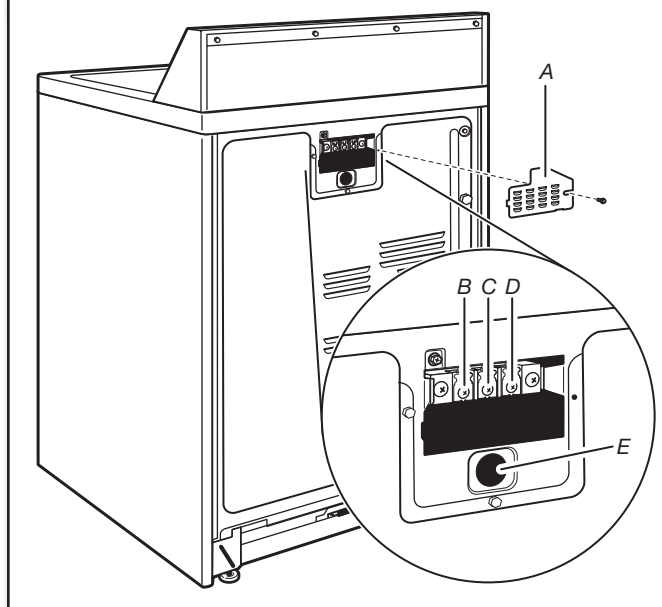


**Méthode de raccordement direct :**

Consulter les étapes 1 à 2 de la page 26 pour les instructions sur le serre-câbles pour raccordement direct, puis les étapes 3 à 7 de la section "Raccordement direct". Ensuite, lire la section "Exigences concernant l'évacuation".

**REMARQUE :** Si les codes locaux n'autorisent pas le raccordement d'un conducteur de masse de la caisse au fil neutre, voir la section "Raccordement direct". Ce raccordement peut servir pour un câble d'alimentation ou une connexion directe des conducteurs.

### 2. Retirer le couvercle du bornier



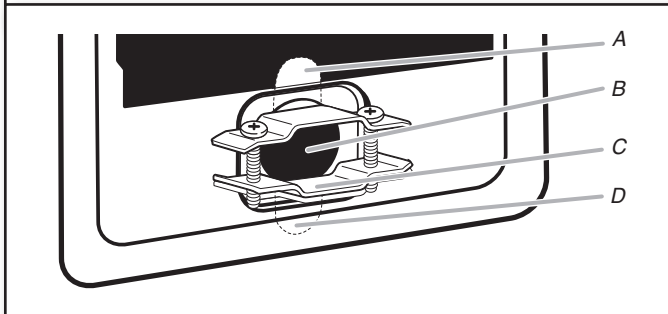
Avant de commencer, débrancher l'alimentation. Retirer le couvercle du bornier (A).

- A. Couvercle du bornier
- B. Vis pour phase
- C. Vis pour liaison à la terre
- D. Vis pour neutre
- E. Orifice du serre-câble

## Installation du serre-câble

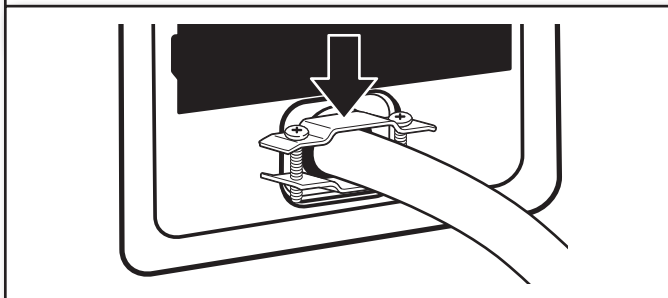
### Serre-câble du câble d'alimentation

#### 1. Fixer le serre-câble du câble d'alimentation



Retirer les vis d'un serre-câble homologué UL de 19 mm (3/4") (inscription UL sur le serre-câble). Placer les languettes des deux moitiés de pince (C) dans le trou (B) sous l'ouverture du bornier de sorte qu'une d'entre elles pointe vers le haut (A) et l'autre vers le bas (D). Maintenir en place. Serrer les vis du serre-câble juste assez pour maintenir ensemble les deux moitiés de pince (C).

#### 2. Fixer le câble d'alimentation au serre-câble

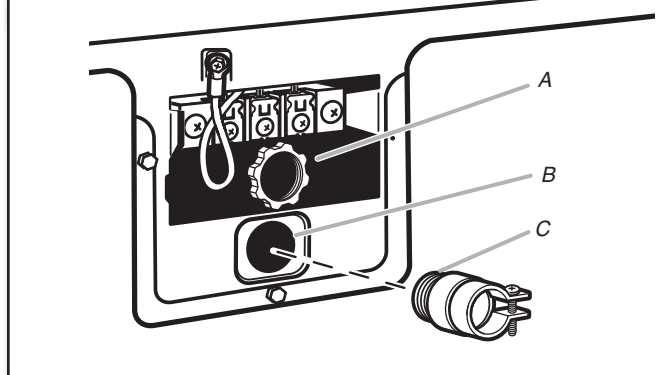


Passer le câble d'alimentation à travers le serre-câble. Vérifier que la gaine isolante du câble d'alimentation rentre à l'intérieur du serre-câble. Le serre-câble doit être bien relié à la caisse du sèche-linge et se trouver en position horizontale. Ne pas visser davantage les vis du serre-câble à ce stade.

Aller à la section "Raccordement du cordon d'alimentation".

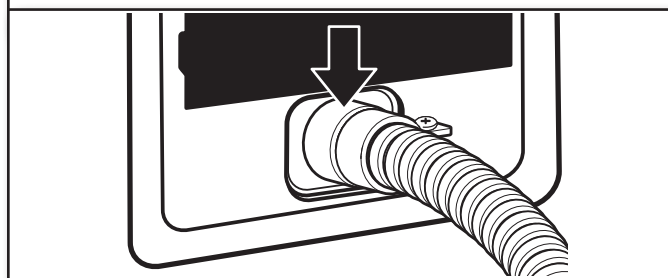
### Serre-câble pour raccordement direct

#### 1. Fixer le serre-câble pour raccordement direct



Dévisser le raccord de conduit amovible (A) et les vis d'un serre-câble homologué UL (inscription UL sur le serre-câble) de 19 mm (3/4"). Visser la partie filetée du serre-câble dans le trou (B) sous l'ouverture du bornier. En passant par l'ouverture du bornier, visser le connecteur de conduit amovible sur le filetage du serre-câble (C).

#### 2. Fixer le câble à raccordement direct au serre-câble

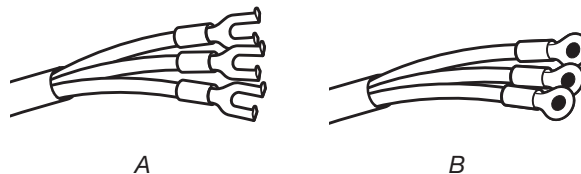


Passer le câble à raccordement direct à travers le serre-câble. Le serre-câble doit être bien relié à la caisse du sèche-linge et se trouver en position horizontale. Serrer les vis du serre-câble.

Aller à la section "Raccordement direct".

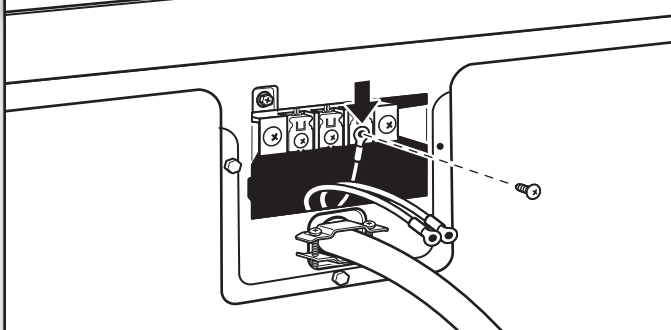
## Raccordement du cordon d'alimentation

A utiliser lorsque les codes locaux autorisent la connexion du conducteur de masse de la caisse au conducteur neutre.



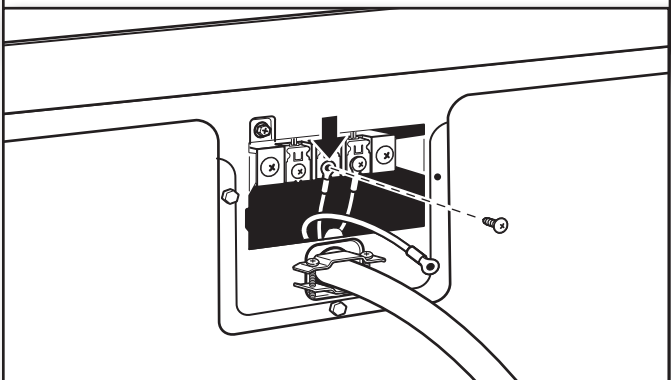
A. Cosses à fourche à pointes relevées  
B. Serre-câble homologué UL de 19 mm (3/4") à cosses rondes

### 3. Raccorder le conducteur neutre



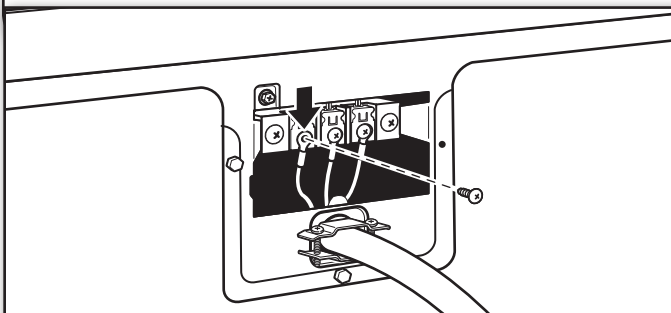
Raccorder le conducteur neutre (bleu) du cordon d'alimentation électrique à la borne de droite du bornier. Serrer la vis.

### 4. Raccorder le conducteur de liaison à la terre



Raccorder le conducteur de terre à la borne centrale. Serrer la vis.

### 5. Raccorder le conducteur actif



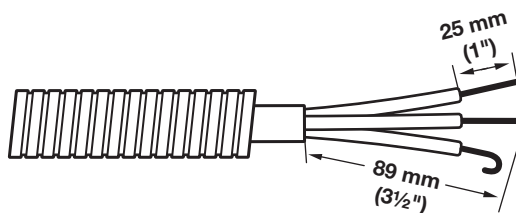
Raccorder le conducteur actif (marron) à la borne de gauche. Serrer la vis de la borne et les vis du serre-câble.

Pour terminer, replacer la languette du couvercle du bornier dans la fente du panneau arrière du sèche-linge. Fixer le couvercle avec la vis de retenue. Ensuite, passer à la section "Exigences concernant l'évacuation".

## Méthode de raccordement direct

Utiliser lorsque les codes locaux autorisent la connexion du conducteur de masse de la caisse au conducteur neutre.

### 3. Préparer le câble à 3 fils pour un raccordement direct



Le câble à raccordement direct doit avoir une longueur supplémentaire de 1,52 m (5 ft) pour permettre le déplacement du sèche-linge si nécessaire.

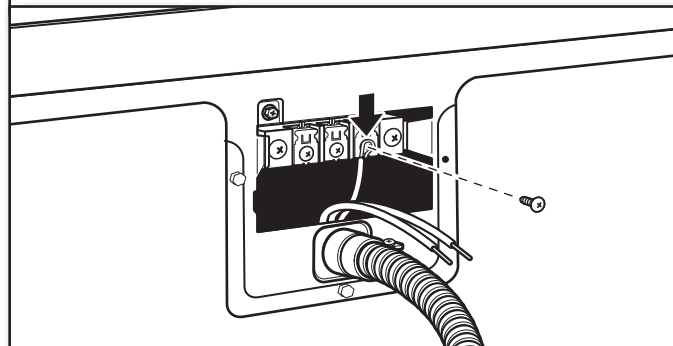
Dénuder une longueur de 89 mm (3 1/2") de gaine extérieure à l'extrémité du câble. Dénuder les conducteurs sur une longueur de 25 mm (1"). En cas d'utilisation d'un câble à 3 fils avec conducteur de mise à la terre, couper le fil nu au même niveau que la gaine extérieure. Former des crochets au bout des conducteurs.

### 4. Raccorder les conducteurs au bornier



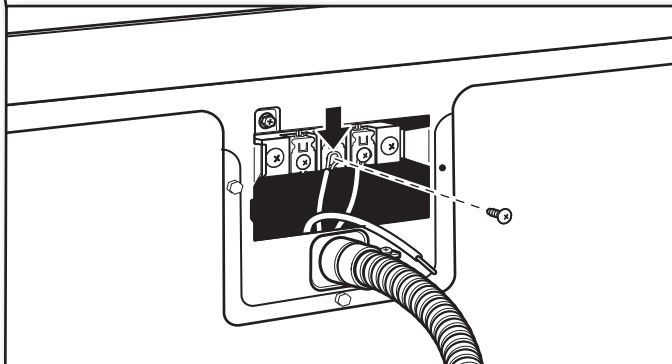
Pour raccorder les conducteurs au bornier, placer la forme en crochet du conducteur sous la vis du bornier, extrémité libre à droite, rapprocher les extrémités du crochet et serrer la vis.

### 5. Raccorder le conducteur neutre



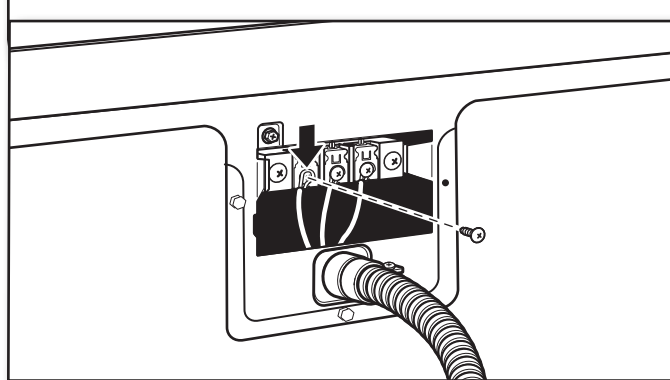
Placer la forme en crochet du conducteur neutre (bleu) du câble d'alimentation sous la vis de droite du bornier (extrémité libre du crochet vers la droite). Rapprocher les extrémités du crochet. Serrer la vis.

## 6. Raccorder le conducteur de liaison à la terre



Placer la forme en crochet du conducteur de terre du câble d'alimentation sous la vis centrale du bornier (extrémité libre du crochet vers la droite). Rapprocher les extrémités du crochet et serrer la vis.

## 7. Raccorder le conducteur actif



Placer la forme en crochet du conducteur actif (marron) du câble d'alimentation sous la vis de gauche du bornier (extrémité libre du crochet vers la droite). Rapprocher les extrémités du crochet. Serrer la vis de la borne et la vis du serre-câble.

Pour terminer, replacer la languette du couvercle du bornier dans la fente du panneau arrière du sèche-linge. Fixer le couvercle avec la vis de retenue. Ensuite, passer à la section "Exigences concernant l'évacuation".

# EVACUATION

## EXIGENCES CONCERNANT L'EVACUATION

### ⚠ AVERTISSEMENT



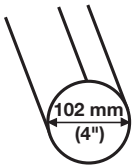
#### Risque d'incendie

- Utiliser un conduit d'évacuation en métal lourd.
- Ne pas utiliser un conduit d'évacuation en plastique.
- Ne pas utiliser un conduit d'évacuation en feuille de métal.
- Le non-respect de ces instructions peut causer un décès ou un incendie.

**AVERTISSEMENT :** Pour réduire le risque d'incendie, ce sèche-linge doit EVACUER L'AIR A L'EXTERIEUR.

**IMPORTANT :** Respecter les dispositions de tous les codes et règlements en vigueur.

Le conduit d'évacuation du sèche-linge ne doit pas être connecté à une évacuation de gaz, une cheminée, un mur, un plafond, un grenier, un vide sanitaire ou un vide de construction. Seul un conduit en métal flexible ou rigide doit être utilisé pour l'évacuation.



- Utiliser un conduit d'évacuation en métal lourd de 102 mm (4") et des brides de serrage.
- Ne pas utiliser de conduit de plastique ou en aluminium.

#### Conduit métallique rigide :

- Recommandé pour une meilleure performance de séchage et pour réduire les risques d'écrasement et de déformation.

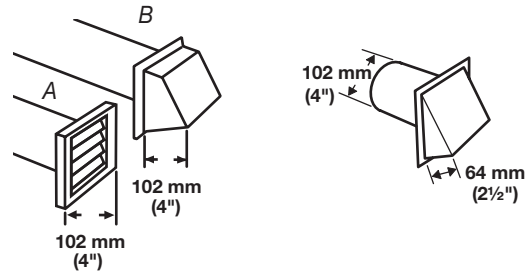
**Conduit métallique flexible :** (Acceptable uniquement si accessible pour le nettoyage)

- Doit être complètement déployé et supporté dans l'emplacement final du sèche-linge.
- Enlever tout excès de conduit pour éviter tout affaissement et déformation susceptible de réduire la capacité d'évacuation et le rendement.
- Ne pas installer le conduit dans les cavités fermées des murs, plafonds ou planchers.
- La longueur totale ne doit pas excéder 2,4 m (7<sup>3</sup>/<sub>4</sub> ft).

**REMARQUE :** Lors de l'utilisation d'un système de décharge existant, nettoyer et éliminer les peluches sur toute la longueur du système et veiller à ce que le clapet d'évacuation ne soit pas obstrué par une accumulation de peluches. Remplacer tout conduit de plastique ou d'aluminium par un conduit métallique rigide ou flexible. Examiner le tableau des systèmes d'évacuation et au besoin, apporter les modifications nécessaires au système d'évacuation pour atteindre le meilleur rendement de séchage.

#### Clapets de décharge

- Doit se situer à au moins 305 mm (12") au-dessus du sol ou de tout objet susceptible d'obstruer l'évacuation (par exemple fleurs, roches, arbustes ou neige).

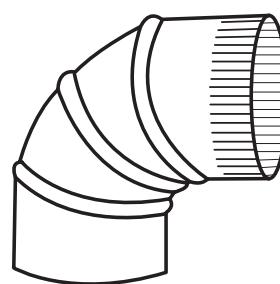


Styles recommandés :  
A. Clapet à persiennes  
B. Clapet de type boîte

Styles acceptables :  
C. Clapet incliné

#### Coudes :

- Les coudes à 45° permettent une meilleure circulation de l'air que les coudes à 90°.



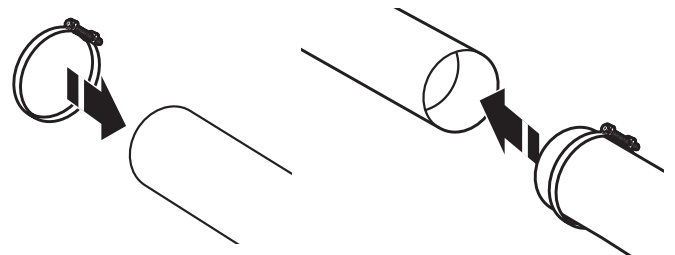
Bon



Meilleur

#### Brides de serrage :

- Utiliser des brides de serrage pour sceller toutes les jointures.
- Le conduit d'évacuation ne doit pas être connecté ou fixé avec des vis ou avec tout autre dispositif de serrage qui se prolonge à l'intérieur du conduit et où les peluches risquent de s'accrocher. Ne pas utiliser de ruban adhésif pour conduit.



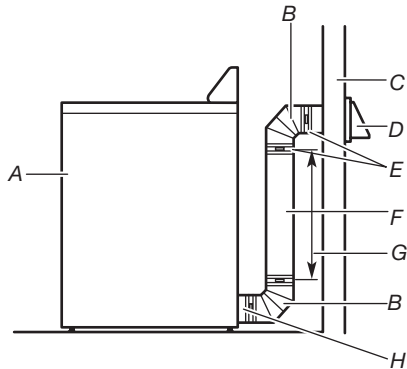
#### Une mauvaise évacuation de l'air peut causer de l'humidité et une accumulation de peluches à l'intérieur de la maison, ce qui peut provoquer :

- Dommages par l'humidité aux boiseries, meubles, peinture, papier-peint, tapis, etc.
- Problèmes de nettoyage dans la maison et problèmes de santé.

# PLANIFICATION DU SYSTEME D'EVACUATION

## Installations d'évacuation recommandée

Les installations typiques consistent à acheminer le conduit d'évacuation à l'arrière du sèche-linge. D'autres installations sont possibles.



- |                       |   |
|-----------------------|---|
| A. Sèche-linge        | F. Conduit métallique rigide ou souple                      |
| B. Coude              | G. Longueur de conduit nécessaire pour raccorder les coudes |
| C. Mur                | H. Bouche de décharge                                       |
| D. Clapet de décharge |   |
| E. Brides             |   |

## AVERTISSEMENT



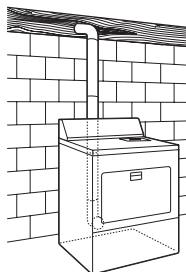
### Risque d'incendie

Recouvrir tous les orifices d'évacuation non utilisés avec une trousse du fabricant.

Contactez votre marchand local.

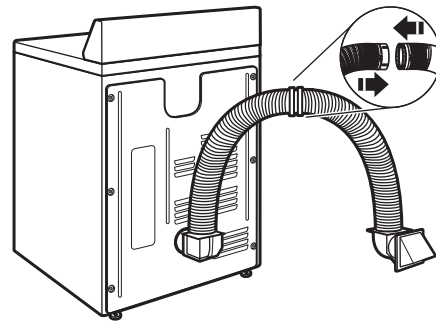
Le non-respect de ces instructions peut causer un décès, un incendie, un choc électrique ou une blessure grave.

## Installation d'évacuation standard avec conduit métallique rigide ou flexible

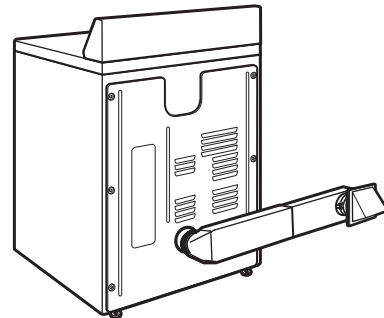


## Autres installations où le dégagement est réduit

Il existe de nombreux systèmes d'évacuation. Choisir le système qui convient le mieux à votre installation. L'illustration indique deux installations à dégagement réduit. Voir les instructions du fabricant.



Installation au-dessus du sèche-linge (également disponible avec un coude décalé)



Installation de périscope

**REMARQUE :** Les trouses suivantes pour les installations alternées à dégagements étroits sont disponibles à l'achat. Pour commander, contacter le revendeur du sèche-linge ou une société de service après-vente agréée.

- Installation au-dessus du sèche-linge :  
Pièce numéro 4396028
- Installation en périscope (si la bouche de décharge du sèche-linge n'est pas alignée avec la bouche d'évacuation murale) :  
Pièce numéro 4396037 : différence de 0 mm (0") à 457,2 mm (18")  
Pièce numéro 4396011 : différence de 457,2 mm (18") à 736,6 mm (29")  
Pièce numéro 4396014 : différence de 736,6 mm (29") à 1270 mm (50")

### Déterminer l'itinéraire d'acheminement du conduit :

- Choisir l'itinéraire d'acheminement vers l'extérieur qui sera le plus direct et le plus rectiligne.
- Planifier l'installation de façon à introduire un nombre minimal de coudes et de changements de direction.
- Si des coudes ou changements de direction sont utilisés, prévoir autant d'espace que possible.
- Plier le conduit graduellement pour éviter de le déformer.
- Utiliser le moins possible de changements de direction à 90°.

## Déterminer la longueur du conduit et le nombre de coudes nécessaires pour une performance optimale de séchage :

- Utiliser le tableau des systèmes d'évacuation suivant pour déterminer le type de matériel d'évacuation et les combinaisons de hotte acceptables.

**REMARQUE :** Ne pas utiliser de conduits de longueur supérieure à la valeur spécifiée dans le tableau des systèmes d'évacuation. Si la longueur du circuit est supérieure à la valeur spécifiée dans le tableau, on observera:

- Un cycle de vie réduit du sèche-linge.
- Une réduction du rendement, avec temps de séchage plus longs et une plus grande consommation d'énergie.

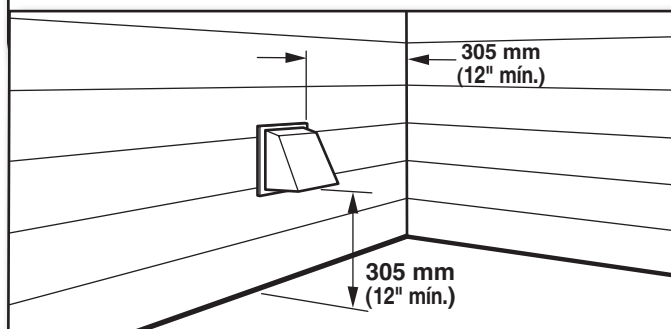
Le tableau des systèmes d'évacuation fournit les exigences d'évacuation qui vous aideront à atteindre la meilleure performance de séchage.

### Tableau des systèmes d'évacuation

Nombre de coudes à 90°	Type de conduit d'évacuation	Clapets de type boîte/à persiennes	Clapets inclinés
0	Métallique rigide	20 m (64 ft)	17,7 m (58 ft)
1	Métallique rigide	16,5 m (54 ft)	48 ft (14,6 m)
2	Métallique rigide	13,4 m (44 ft)	11,6 m (38 ft)
3	Métallique rigide	10,7 m (35 ft)	8,8 m (29 ft)
4	Métallique rigide	8,2 m (27 ft)	6,4 m (21 ft)

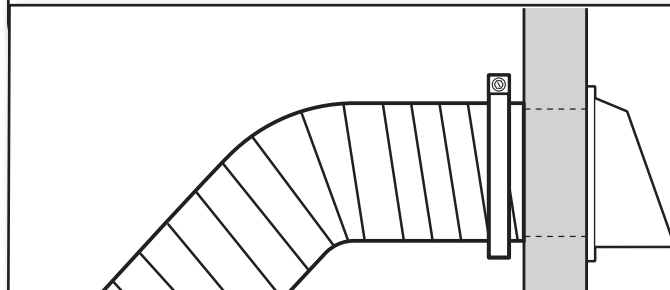
## INSTALLATION DU CIRCUIT D'EVACUATION

### 1. Installer le clapet d'évacuation



Installer un clapet d'évacuation et calfeutrer l'ouverture murale à l'extérieur autour du clapet d'évacuation.

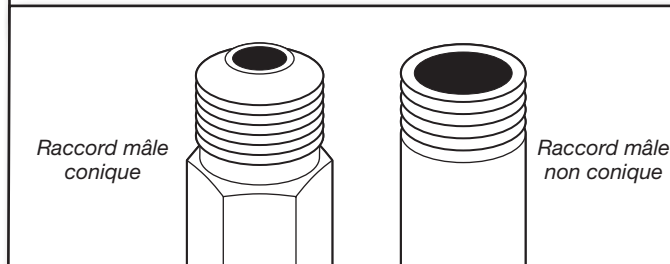
### 2. Raccorder le conduit d'évacuation au clapet



Le conduit doit se trouver par dessus le clapet d'évacuation. Fixer ensemble le conduit et le clapet avec une bride de 102 mm (4"). Acheminer le conduit d'évacuation jusqu'à l'emplacement du sèche-linge, utiliser l'itinéraire le plus rectiligne possible. Éviter les changements de direction à 90°. Utiliser des brides de serrage pour sceller toutes les jointures. Ne pas utiliser de ruban adhésif pour conduit, de vis ou autres dispositifs de fixation qui se prolongeraient. Les peluches pourraient s'y accrocher.

## RACCORDEMENT AU GAZ

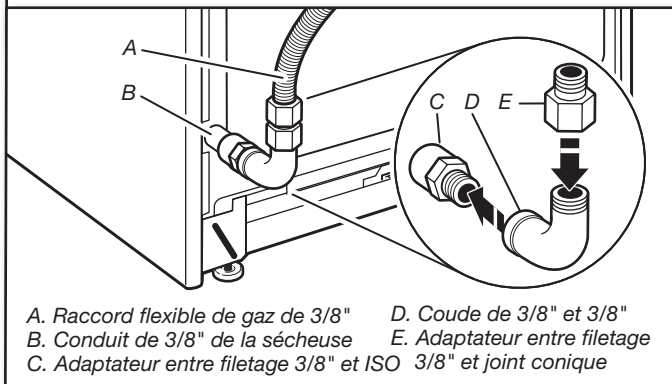
### 1. Raccorder l'alimentation en gaz au sèche-linge



Retirer le capuchon rouge de la canalisation de gaz. À l'aide d'une clé pour serrer, raccorder l'alimentation en gaz au sèche-linge. Utiliser un composé d'étanchéité des tuyauteries sur tous les filetages des raccords mâles non coniques. Si on utilise un conduit métallique souple, veiller à ce qu'il ne soit pas pincé.

**REMARQUE :** Pour les raccords au propane, on doit utiliser un composé d'étanchéité résistant à l'action du propane. Ne pas utiliser de ruban adhésif TEFLON®†.

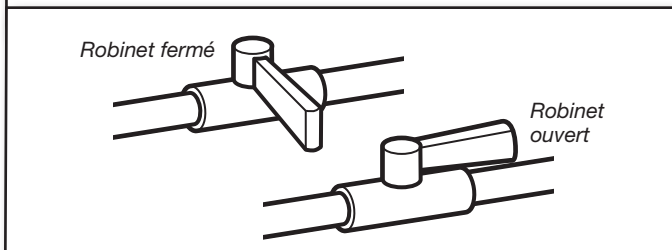
## 2. Préparer la connexion des raccords de tuyauterie



A. Raccord flexible de gaz de 3/8"      D. Coude de 3/8" et 3/8"  
 B. Conduit de 3/8" de la sècheuse      E. Adaptateur entre filetage  
 C. Adaptateur entre filetage 3/8" et ISO 3/8" et joint conique

On doit utiliser une combinaison de raccords de tuyauterie pour raccorder la sècheuse à l'alimentation en gaz existante. L'illustration présente un raccordement recommandé. Le raccordement peut varier selon le type, la taille et l'emplacement de la canalisation d'alimentation.

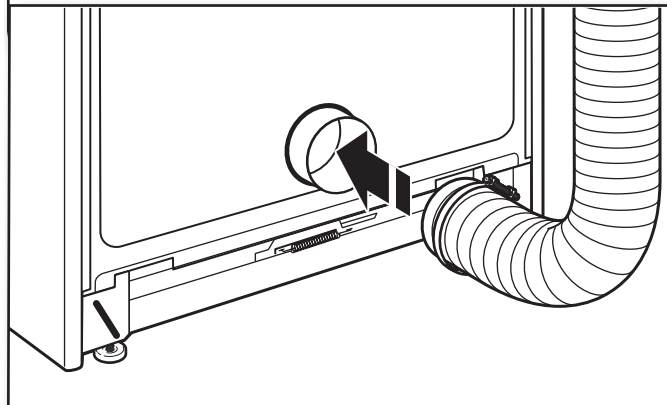
## 3. Robinet d'arrêt du gaz ouvert



Ouvrir le robinet d'arrêt de la canalisation d'alimentation; le robinet est ouvert lorsque la manette est parallèle à la canalisation de gaz. Vérifier ensuite tous les raccordements en les badigeonnant d'une solution de détection des fuites non corrosive approuvée. L'apparition de bulles indique la présence d'une fuite. Réparer toute fuite éventuelle.

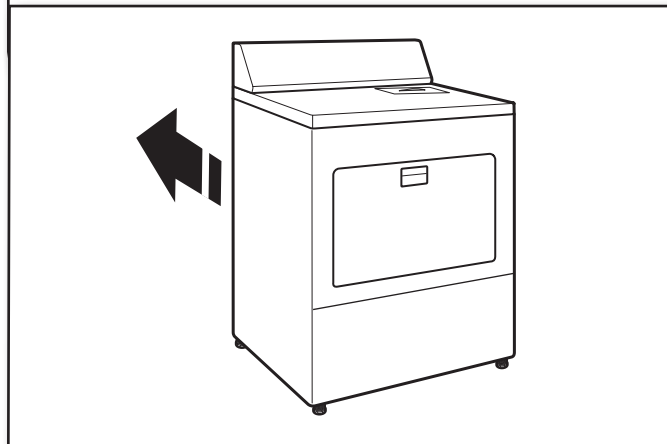
## RACCORDEMENT DU CONDUIT D'EVACUATION

### 1. Raccorder le conduit d'évacuation à la bouche d'évacuation



A l'aide d'une bride de serrage de 102 mm (4"), relier le conduit d'évacuation à la bouche d'évacuation du sèche-linge. Si on utilise le conduit d'évacuation existant, s'assurer qu'il est propre. Le conduit d'évacuation du sèche-linge doit être fixé par-dessus la bouche d'évacuation du sèche-linge, et à l'intérieur du clapet d'évacuation. Vérifier que le conduit d'évacuation est fixé au clapet d'évacuation à l'aide d'une bride de serrage de 102 mm (4").

### 2. Déplacer le sèche-linge à son emplacement final

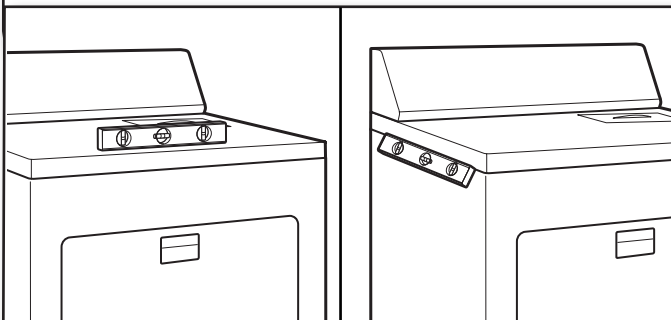


Placer le sèche-linge à son emplacement final. Éviter d'écraser ou de déformer le conduit d'évacuation. Une fois que le sèche-linge est à son emplacement définitif, ôter les cornières et le carton du dessous du sèche-linge.



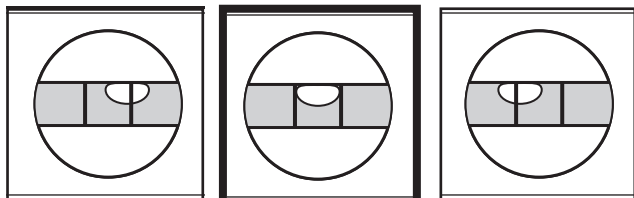
## REGLAGE DE L'APLOMB DU SECHE-LINGE

### 1. Régler l'aplomb du sèche-linge



Vérifier l'aplomb du sèche-linge d'un côté à l'autre. Répéter l'opération de l'avant vers l'arrière.

**REMARQUE :** Le sèche-linge doit être d'aplomb pour que le système de détection d'humidité fonctionne correctement.

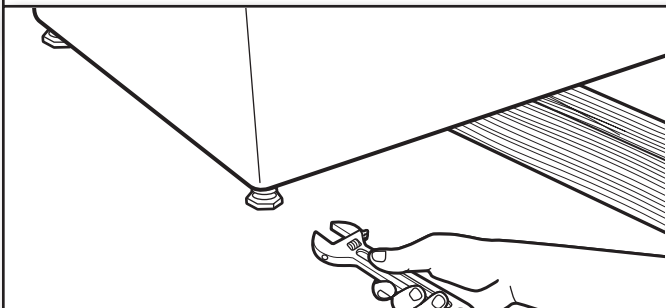


Pas d'aplomb

**D'APLOMB**

Pas d'aplomb

### 2. Serrer et ajuster les pieds de nivellement



Si le sèche-linge n'est pas d'aplomb, le relever à l'aide d'un bloc de bois, utiliser une clé pour ajuster les pieds vers le haut ou vers le bas, et vérifier à nouveau s'il est d'aplomb. Une fois que les pieds sont d'aplomb, s'assurer que les quatre pieds sont solidement appuyés contre le sol avant de les serrer.

## ACHEVER L'INSTALLATION - LISTE DE VERIFICATION

- Vérifier que toutes les pièces sont maintenant installées. S'il reste une pièce, passer en revue les différentes étapes pour découvrir laquelle aurait été oubliée.
- Vérifier la présence de tous les outils.
- Éliminer/recycler les matériaux d'emballage.
- Vérifier que le sèche-linge est à son emplacement final. S'assurer de ne pas écraser ou déformer le conduit d'évacuation.
- Pour une installation avec cordon d'alimentation électrique, brancher dans une prise reliée à la terre. Pour une installation à raccordement direct, mettre l'appareil sous tension.
- Vérifier que le sèche-linge est d'aplomb. Voir "Réglage de l'aplomb du sèche-linge".
- Retirer la pellicule sur le panneau de commande et tout ruban adhésif resté sur le sèche-linge.
- Essuyer soigneusement l'intérieur du tambour du sèche-linge avec un chiffon humide pour éliminer toute trace de poussière.
- Lire la section "Utilisation du sèche-linge" dans le Guide d'utilisation et d'entretien.
- Régler le sèche-linge pour un programme de séchage complet (pas le programme de séchage à l'air) de 20 minutes et mettre le sèche-linge en marche. (Dans le cas d'un sèche-linge à gaz, le système d'allumage électronique du brûleur est entièrement automatique; aucune intervention de l'utilisateur n'est nécessaire (absence de veilleuse).

**Si le sèche-linge ne démarre pas, vérifier ce qui suit :**

- Les commandes sont réglées à la position de marche ou "ON".
- Le bouton Start (mise en marche) a été enfoncé fermement.
- Le sèche-linge est branché à une prise électrique et/ou l'alimentation électrique est connectée.
- Les fusibles du domicile sont intacts et serrés; le disjoncteur n'est pas déclenché.
- La porte du sèche-linge est fermée.
- Après 5 minutes de fonctionnement, ouvrir la porte du sèche-linge et déterminer si l'on détecte de la chaleur. Si de la chaleur est détectée, annuler le programme et fermer la porte.

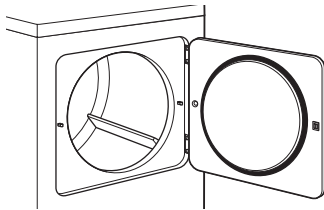
**Si le sèche-linge n'est pas chaud à l'intérieur, éteindre le sèche-linge et vérifier ce qui suit :**

- Il peut y avoir 2 fusibles ou disjoncteurs domestiques pour le sèche-linge. Vérifier que les deux fusibles sont intacts et bien en place ou que les deux disjoncteurs ne se sont pas déclenchés. S'il n'y a toujours pas de chaleur, contacter un technicien qualifié.

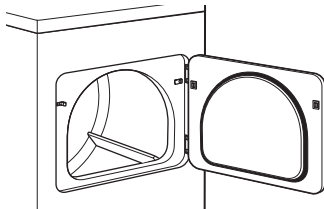
**REMARQUE :** Il est possible que le sèche-linge dégage une odeur lors du chauffage initial. Cette odeur est normale lorsque l'élément chauffant est utilisé pour la première fois. L'odeur disparaîtra.

## INVERSION DU SENS DE L'OUVERTURE DE LA PORTE (FACULTATIF)

Si la porte correspond à la porte à grande ouverture latérale de 29", suivre les étapes 1 à 6.



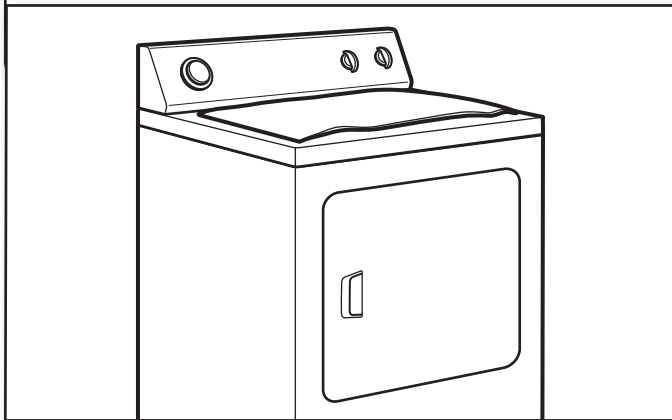
Si la porte correspond à la porte à très grande ouverture latérale de 29", suivre les étapes 1 à 13 de la page 35.



**REMARQUE :** Un tournevis aimanté serait utile.

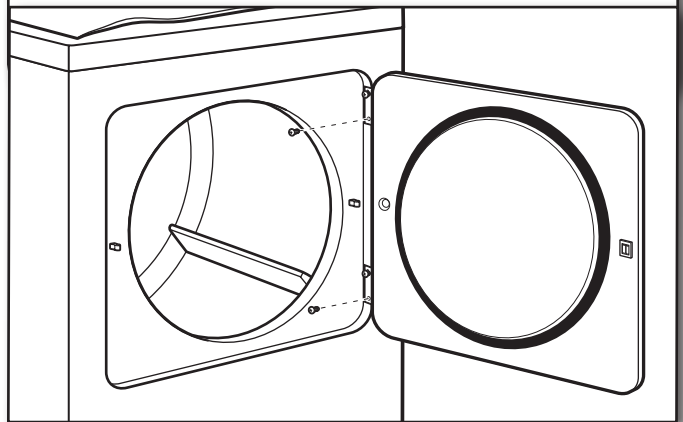
Porte à grande ouverture latérale

### 1. Placer une serviette sur le sèche-linge



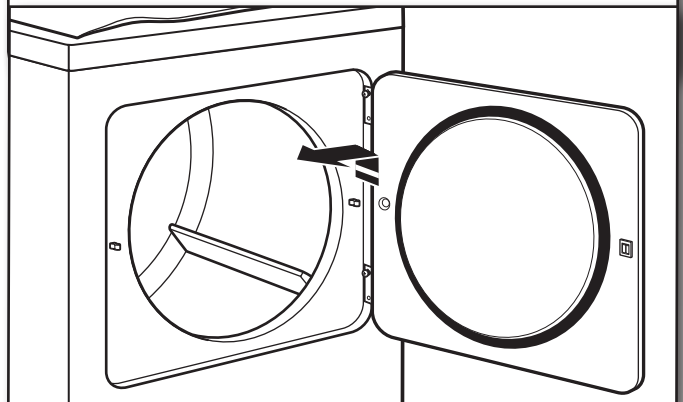
Placer la serviette sur le dessus du sèche-linge pour éviter d'endommager la surface.

### 2. Ôter les vis inférieures



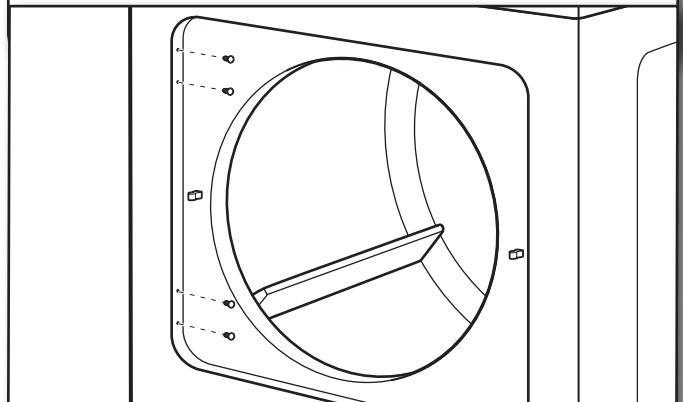
Ouvrir la porte du sèche-linge. Ôter les vis inférieures du côté charnière de la caisse du sèche-linge. Desserrer (ne pas retirer) les vis supérieures du côté charnière de la caisse du sèche-linge.

### 3. Soulever la porte pour la dégager des vis supérieures



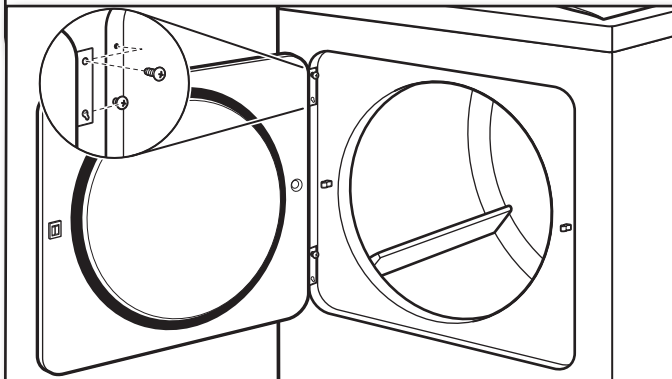
Soulever la porte jusqu'à ce que les vis supérieures dans la caisse se trouvent dans la partie large de l'encoche de la charnière. Tirer la porte vers l'avant pour la dégager des vis. Placer la porte sur le sèche-linge. Retirer les vis supérieures de la caisse du sèche-linge.

### 4. Retirer les bouchons d'obturation de charnière et les transférer



Utiliser un petit tournevis à lame plate pour retirer avec précaution les 4 bouchons d'obturation du côté gauche de la caisse du sèche-linge. Insérer les bouchons d'obturation dans les trous de charnière, du côté opposé de la caisse du sèche-linge.

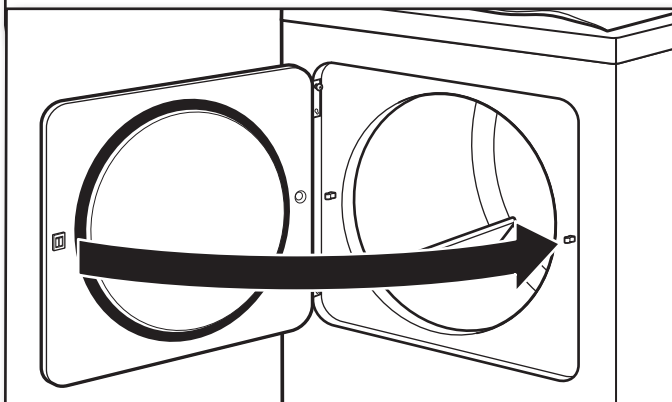
## 5. Insérer les vis dans les trous de charnière de la caisse du sèche-linge



**REMARQUE :** Il faudra peut-être deux personnes pour réinstaller la porte.

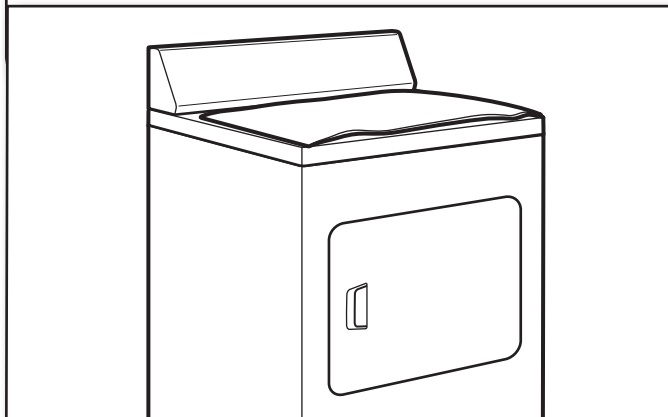
Insérer les vis dans les trous inférieurs du côté gauche de la caisse du sèche-linge. Serrer les vis à moitié. Positionner la porte de façon à ce que le côté large de l'encoche de la charnière de porte se trouve au-dessus des vis. Faire glisser la porte vers le haut de façon à ce que les vis se trouvent au fond des encoches. Resserrer les vis. Insérer les vis supérieures dans les charnières et les serrer.

## 6. Contrôler l'alignement de la gâche de la porte



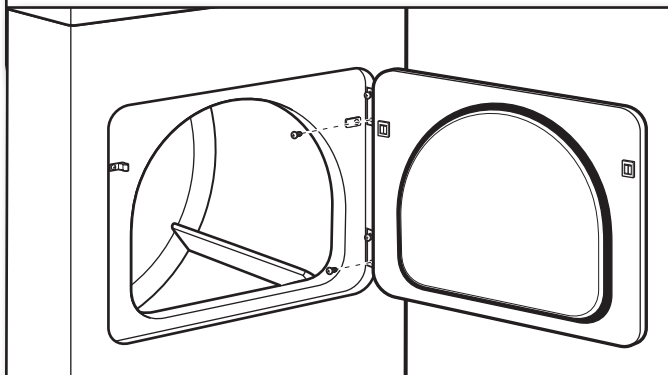
Fermer la porte et vérifier que la gâche de la porte est alignée avec le piton de retenue de la porte. Au besoin, faire glisser le piton de retenue de la porte vers la gauche ou vers la droite à l'intérieur de l'encoche pour régler l'alignement.

## 1. Placer une serviette sur le sèche-linge



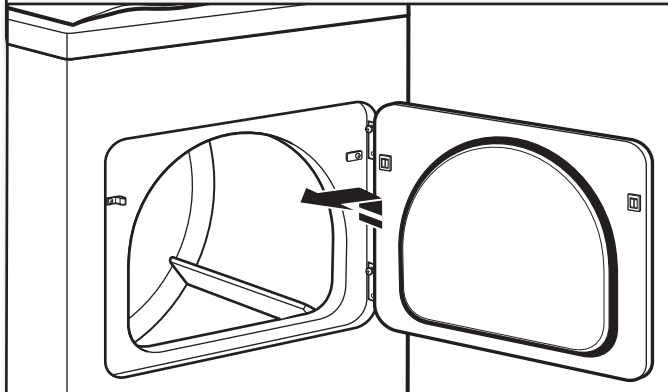
Placer la serviette sur le dessus du sèche-linge pour éviter d'endommager la surface.

## 2. Ôter les vis inférieures



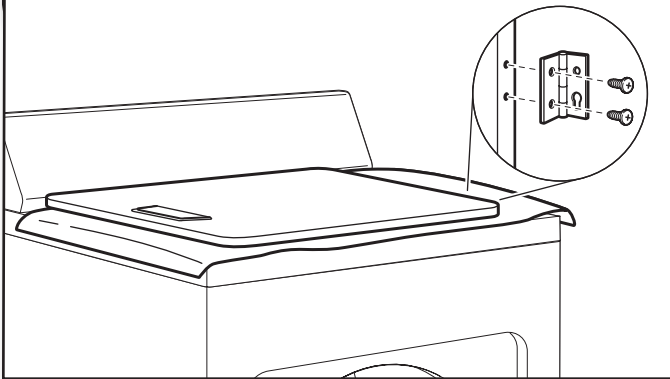
Ouvrir la porte du sèche-linge. Ôter les vis inférieures du côté charnière de la caisse du sèche-linge. Desserrer (ne pas retirer) les vis supérieures du côté charnière de la caisse du sèche-linge.

## 3. Soulever la porte pour la dégager des vis supérieures



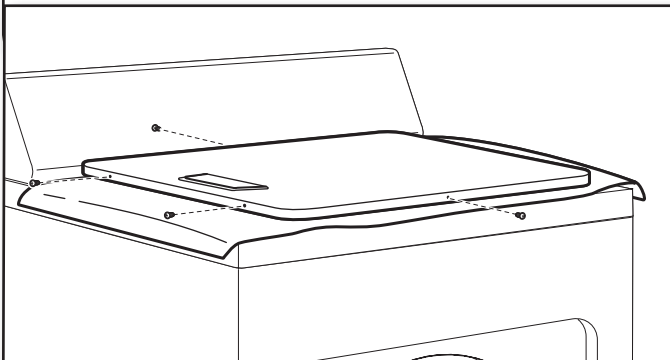
Soulever la porte jusqu'à ce que les vis supérieures situées dans la caisse du sèche-linge se trouvent dans la partie évasée de l'encoche de charnière. Tirer la porte vers l'avant pour la dégager des vis. Placer la porte (côté poignée vers le haut) sur le sèche-linge. Retirer les vis supérieures de la caisse du sèche-linge.

#### 4. Ôter les vis des charnières



Retirer les vis fixant les charnières à la porte.

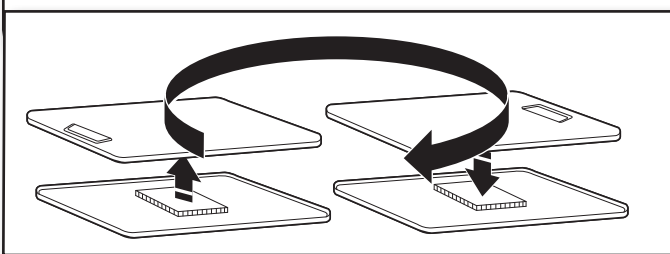
#### 5. Ôter les vis du panneau de porte



Retirer les vis du sommet, du bas et du côté de la porte (4 vis). Conserver séparément les vis de porte et les vis de charnière, car elles sont de tailles différentes. Tout en maintenant la porte sur la serviette et sur le sèche-linge, saisir les côtés de la porte externe et la soulever pour la séparer de la porte interne.

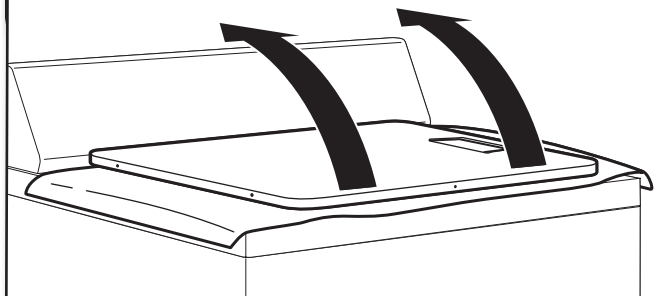
**REMARQUE :** Ne pas utiliser de couteau à mastic ou de tournevis pour séparer les portes. Ne pas tirer sur le joint ou les pitons de retenue en plastique de la porte.

#### 6. Faire pivoter la porte externe



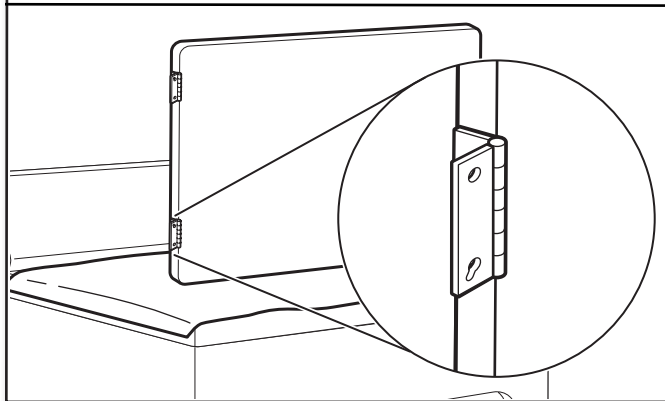
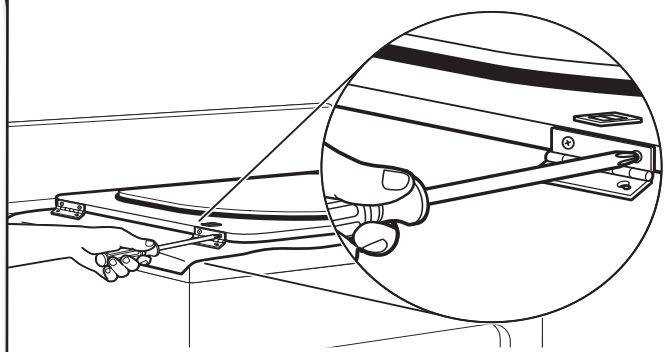
Saisir la porte externe et la faire pivoter de 180° puis la replacer sur la porte interne. Veiller à maintenir la cale d'espacement en carton centrée entre les portes. Fixer à nouveau le panneau de porte à la porte interne de façon à ce que la poignée se trouve du côté où les vis viennent d'être retirées. Insérer les 4 vis de porte.

#### 7. Retourner la porte



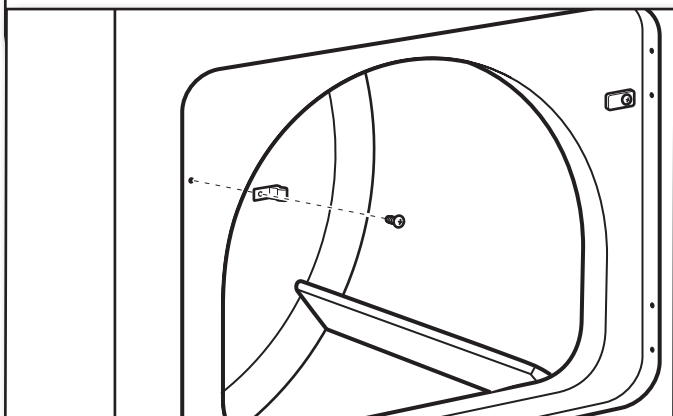
Retourner la porte de façon à ce que la poignée soit orientée vers le bas.

#### 8. Fixer les charnières de porte



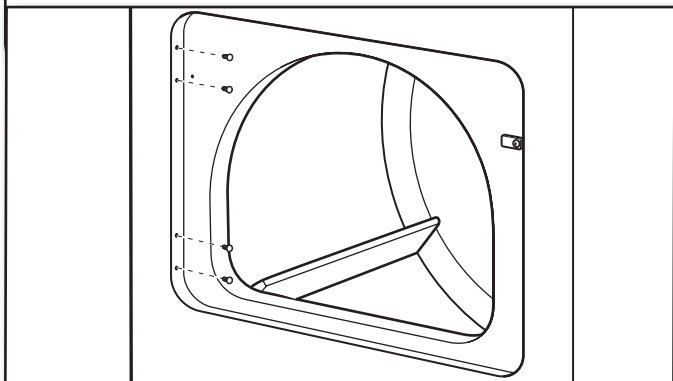
Réinstaller les charnières de porte sur la porte du sèche-linge de façon à ce que le trou le plus gros se trouve dans la partie inférieure de la charnière.

## 9. Retirer la gâche de porte



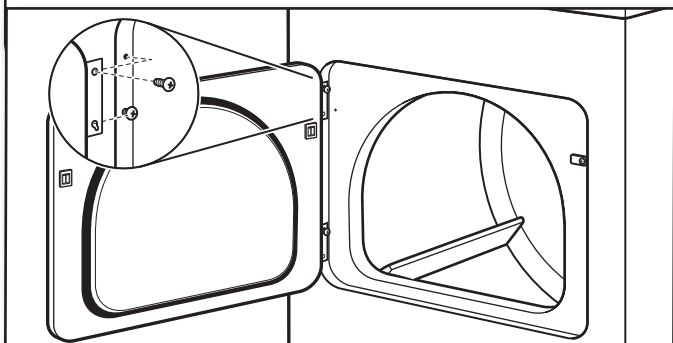
Détacher la gâche de porte de la caisse du sèche-linge et la mettre de côté.

## 10. Retirer les bouchons d'obturation de charnière et les transférer



Utiliser un petit tournevis à lame plate pour retirer avec précaution les 4 bouchons d'obturation du côté gauche de la caisse du sèche-linge. Transférer les bouchons d'obturation dans les trous de charnière du côté opposé de la caisse du sèche-linge.

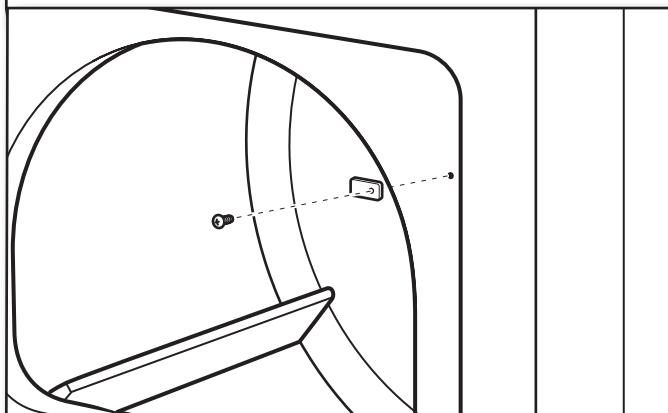
## 11. Insérer les vis dans les trous de charnière de la caisse du sèche-linge



**REMARQUE :** Il faudra peut-être deux personnes pour réinstaller la porte.

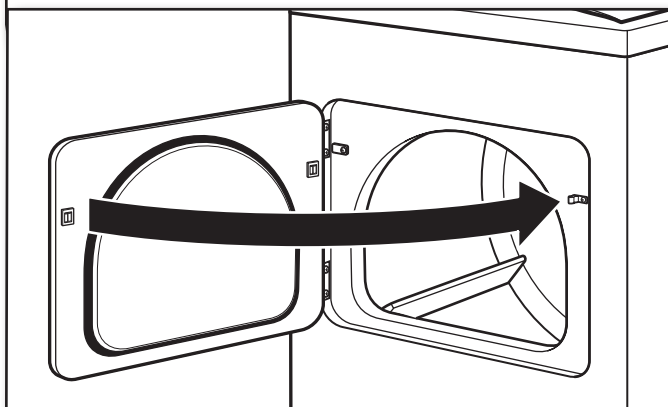
Insérer les vis dans les trous inférieurs du côté gauche de la caisse du sèche-linge. Serrer les vis à moitié. Positionner la porte de façon à ce que le côté large de l'encoche de la charnière de porte se trouve au-dessus des vis. Faire glisser la porte vers le haut de façon à ce que les vis se trouvent au fond des encoches. Resserrer les vis. Insérer les vis supérieures dans les charnières et les serrer.

## 12. Retirer le bouchon d'obturation de la gâche de porte



Retirer le bouchon d'obturation de la gâche de porte. Insérer la gâche de la porte retirée à l'étape 9 dans le trou et la fixer avec une vis. Insérer le bouchon d'obturation de la gâche de porte dans le trou de gâche de porte d'origine, puis fixer avec une vis.

## 13. Contrôler l'alignement de la gâche de la porte



Fermer la porte et vérifier que la gâche de la porte est alignée avec le piton de retenue de la porte. Au besoin, faire glisser le piton de retenue de la porte vers la gauche ou vers la droite à l'intérieur de l'encoche pour régler l'alignement.

## Dépannage

Pour éventuellement éviter le coût d'une visite de service, consulter le Guide d'utilisation et d'entretien.

# SEGURIDAD DE LA SECADORA

## Su seguridad y la seguridad de los demás es muy importante.

Hemos incluido muchos mensajes importantes de seguridad en este manual y en su electrodoméstico. Lea y obedezca siempre todos los mensajes de seguridad.



Este es el símbolo de advertencia de seguridad.

Este símbolo le llama la atención sobre peligros potenciales que pueden ocasionar la muerte o una lesión a usted y a los demás.

Todos los mensajes de seguridad irán a continuación del símbolo de advertencia de seguridad y de la palabra "PELIGRO" o "ADVERTENCIA". Estas palabras significan:

 **PELIGRO**

Si no sigue las instrucciones de inmediato, usted puede morir o sufrir una lesión grave.

 **ADVERTENCIA**

Si no sigue las instrucciones, usted puede morir o sufrir una lesión grave.

Todos los mensajes de seguridad le dirán el peligro potencial, le dirán cómo reducir las posibilidades de sufrir una lesión y lo que puede suceder si no se siguen las instrucciones.



## **ADVERTENCIA - "Riesgo de incendio"**

- La instalación de la secadora de ropa debe estar a cargo de un instalador competente.
- Instale la secadora de ropa según las instrucciones del fabricante y los códigos locales.
- No instale una secadora de ropa con materiales de ventilación de plástico flexible o un conducto de metal flexible (de hoja de metal). Si se usa un conducto de metal flexible, éste deberá ser de un tipo específico, que esté identificado por el fabricante de electrodomésticos como apto para ser usado con secadoras de ropa. Es sabido que los materiales de ventilación flexible se derrumban, se aplastan con facilidad y atrapan pelusa. Estas condiciones obstruirán el flujo de aire de la secadora de ropa y aumentarán el riesgo de incendio.
- Para reducir el riesgo de lesiones severas o la muerte, siga todas las instrucciones de instalación.
- Guarde estas instrucciones.

**ADVERTENCIA:** Las pérdidas de gas no siempre se pueden detectar por el olfato.

Los proveedores de gas recomiendan que usted use un detector de gas aprobado por UL (Laboratorio de normalización) o CSA (Asociación canadiense de seguridad).

Para obtener más información, póngase en contacto con su proveedor de gas.

Si se detecta una fuga de gas, siga las instrucciones de "Pasos que usted debe seguir si huele a gas".

**ADVERTENCIA:** Para su seguridad, la información en este manual debe ser observada para minimizar el riesgo de incendio o explosión, o para prevenir daños a propiedades, heridas o la muerte.

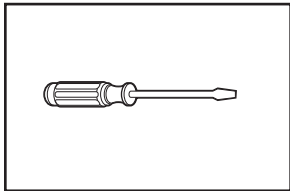
- No almacene o use gasolina u otros líquidos y vapores inflamables cerca de éste u otro aparato electrodoméstico.
- **PASOS QUE USTED DEBE SEGUIR SI HUELE A GAS:**
  - No trate de encender ningún aparato electrodoméstico.
  - No toque ningún interruptor eléctrico; no use ningún teléfono en su edificio.
  - Desaloje a todos los ocupantes del cuarto, edificio o área.
  - Llame inmediatamente a su proveedor de gas desde el teléfono de un vecino. Siga las instrucciones de su proveedor de gas.
  - Si usted no puede comunicarse con su proveedor de gas, llame al departamento de bomberos.
- La instalación y el servicio deben ser efectuados por un instalador calificado, una agencia de servicio o por el proveedor de gas.

## REQUISITOS DE INSTALACIÓN

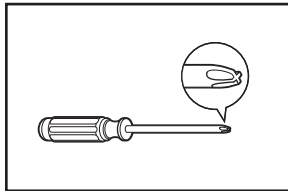
### PIEZAS Y HERRAMIENTAS

Reúna las herramientas y piezas necesarias antes de comenzar la instalación. Lea y siga las instrucciones provistas con cualquiera de las herramientas enlistadas aquí.

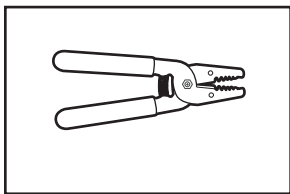
**Herramientas necesarias para todas las instalaciones:**



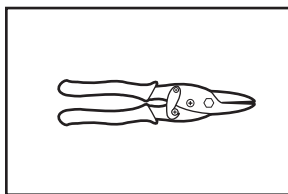
Destornillador de hoja plana



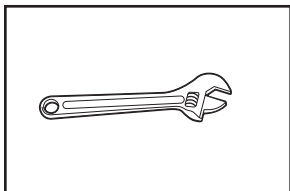
Destornillador Phillips # 2



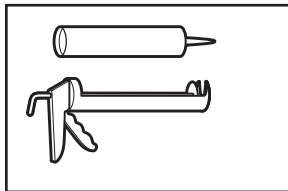
Pelacables (para las instalaciones por cable directo)



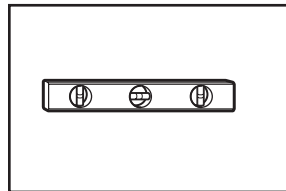
Tijeras de lata (instalaciones del nuevo ducto de escape)



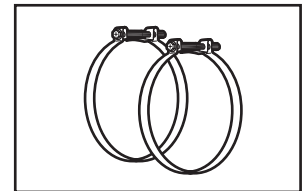
Llave ajustable que se abra a 25 mm (1") o llave de cubo de cabeza hexagonal



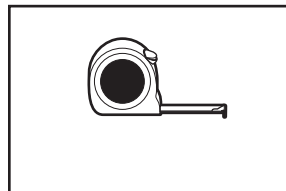
Pistola y masilla para calafateo (para instalar el nuevo ducto de escape)



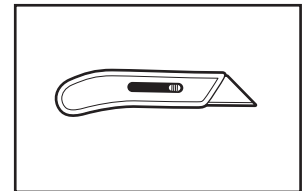
Nivel



Abrazaderas para ducto

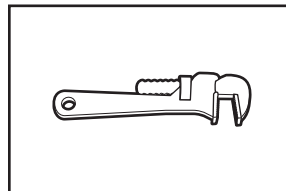


Cinta de medir

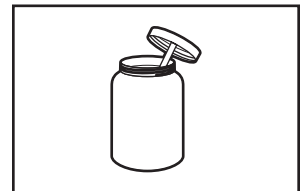


Cuchillo para uso general

**Herramientas necesarias para las instalaciones a gas:**

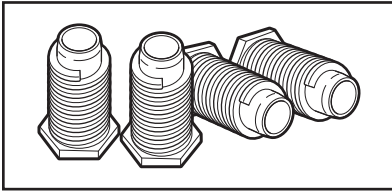


Llave para tubos ajustable que se abra a 204 mm (8") ó 254 mm (10")



Pegamento para tuberías resistente a gas LP

## Piezas suministradas (con todos los modelos):



Patatas niveladoras (4)

El paquete con piezas está ubicado en el tambor de la secadora. Verifique que estén todas las piezas.

### Piezas necesarias:

Verifique los códigos locales. Verifique el suministro eléctrico y la ventilación existentes, y lea "Requisitos eléctricos" y "Requisitos de ventilación" antes de comprar piezas.

### Si emplea un cable de suministro eléctrico:

Use un juego de cable de suministro de energía que esté en la lista de UL, para ser usado con secadoras de ropa. El juego deberá incluir:

- Un cable de suministro de energía de 30 amperios que esté en la lista de UL, de 230 voltios como mínimo. El cable deberá ser del tipo SRD o SRDT y tener por lo menos 1,22 m (4 ft) de largo. Los alambres que lo conectan a la secadora deben acabar en terminales de anillo o de horquilla con los extremos hacia arriba.
- Un protector de cables que esté en la lista de UL.

### Para las instalaciones a gas:

Verifique los códigos locales y con la compañía abastecedora de gas, y lea los requisitos eléctricos, de suministro de gas y de ventilación antes de comprar las piezas.

La línea de suministro de gas debe tener:

- Válvula de cierre.

La línea de suministro de gas rígida debe tener:

- Tubo de 12,5 mm (1/2") de diámetro interno como mínimo.

La línea flexible de suministro de gas debe tener:

- Manguera flexible aprobada de 10 mm (3/8") de diámetro interno como mínimo.

## ⚠ ADVERTENCIA



### Peligro de Explosión

Mantenga los materiales y vapores inflamables, como la gasolina, lejos de la secadora.

Coloque la secadora a un mínimo de 460 mm sobre el piso para la instalación en un garaje.

No seguir estas instrucciones puede ocasionar la muerte, explosión o incendio.

### Conversión a gas L.P.:

Hay disponible con su distribuidor un juego de conversión de gas para la venta. El juego incluye las instrucciones completas. La conversión deberá llevarla a cabo un técnico calificado.

Podrá necesitar piezas adicionales según su instalación. Verifique los códigos locales. Verifique la ventilación y el suministro eléctrico y de gas existentes. Lea "Requisitos eléctricos", "Requisitos de gas" y "Requisitos de ventilación" antes de comprar las piezas.

## REQUISITOS DE UBICACIÓN

### Usted necesitará:

- Una ubicación que permita una instalación adecuada del ducto de escape. Vea "Requisitos de ventilación".
- Un circuito separado de 30 amperios.
- Si está usando un cable de suministro de energía, un contacto con conexión a tierra ubicado a no más de 610 mm (2 ft) de cualquiera de los lados de la secadora. Vea "Requisitos eléctricos".
- Un piso resistente para soportar la secadora y un peso total (secadora y carga) de 90,7 kg (200 lb). También se debe considerar el peso adicional de un electrodoméstico que le acompañe.
- Un piso nivelado con un declive máximo de 25 mm (1") debajo de la secadora completa. (Si el declive es mayor que 25 mm [1"], instale el Juego de extensión de patas de la secadora, pieza N° 279810.) Si la secadora no está nivelada, la ropa quizás no gire adecuadamente y los ciclos con sensor automático posiblemente no funcionen como es debido.

No ponga a funcionar su secadora a temperaturas inferiores a 45 °F (7 °C). A temperaturas inferiores, es posible que la secadora no se apague al final de un ciclo automático. Los tiempos de secado pueden prolongarse.

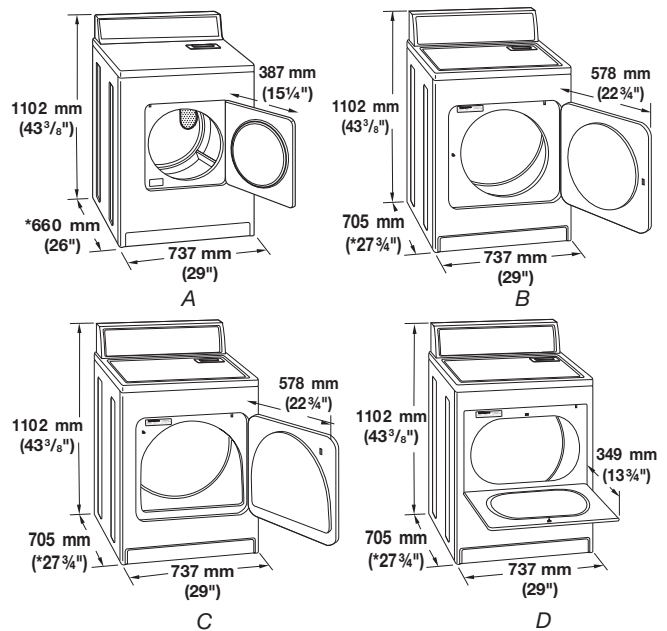
No debe instalarse ni guardarse la secadora en un área en donde pueda estar expuesta al agua y/o a la intemperie.

Verifique los requisitos de los códigos. Algunos códigos limitan, o no permiten, la instalación de la secadora en garajes, clósets, casas rodantes o en dormitorios. Póngase en contacto con el inspector de construcciones de su localidad.

### Espacios para la instalación:

La ubicación debe ser lo suficientemente grande para poder abrir completamente la puerta de la secadora.

### Dimensiones de la secadora



A. Puerta pequeña de apertura lateral  
B. Puerta grande de apertura lateral  
C. Puerta ancha de apertura lateral  
D. Puerta ancha de apertura vertical

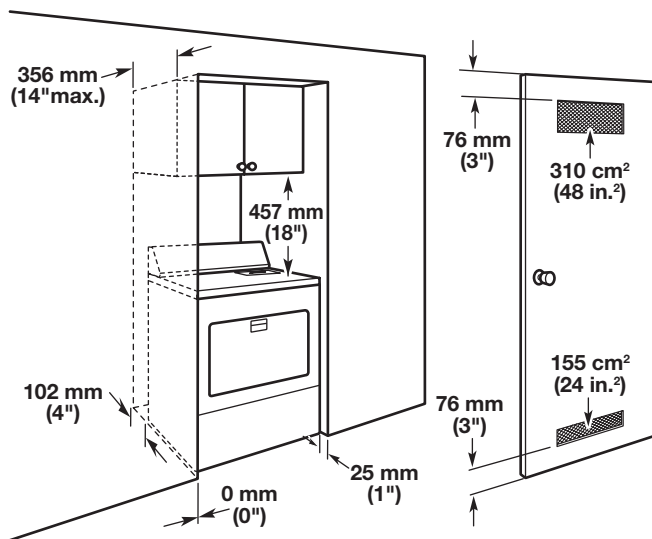
\*La mayoría de las instalaciones requieren un espacio mínimo de 127 mm (5") detrás de la secadora para acomodar el ducto de escape con codo. Vea "Requisitos de ventilación".



## Espacio mínimo para la instalación en un lugar empotrado o en un clóset

Las dimensiones que se ilustran son para el espacio mínimo permitido.

- Debe considerarse espacio adicional para facilitar la instalación y el servicio técnico.
- Se podrían necesitar espacios libres adicionales para las molduras de la pared, puerta y piso.
- Se recomienda un espacio adicional de 25 mm (1") en todos los lados de la secadora para reducir la transferencia de ruido.
- Para la instalación en clóset, con una puerta, se requieren aberturas de ventilación mínimas en la parte superior e inferior de la puerta. Se aceptan puertas tipo persianas con aberturas de ventilación equivalentes.
- También se debe considerar espacio adicional para otro electrodoméstico que le acompañe.



A. Área empotrada  
B. Vista lateral - clóset o lugar confinado  
C. Puerta de clóset con orificios de ventilación

\*Se recomienda espacio adicional.

## REQUISITOS ELÉCTRICOS

### Usted es responsable de:

- Ponerse en contacto con un instalador eléctrico calificado.
- Asegurarse de que la conexión eléctrica sea adecuada y de conformidad con todos los códigos y ordenanzas locales.
- Proveer el suministro eléctrico requerido de 3 alambres, monofásico, de 230 voltios, 60 Hz, CA solamente en un circuito separado de 30 amperios (circuito de 15 ó 20 amperios para las secadoras a gas), protegido con fusibles en ambos lados de la línea. Se recomienda un fusible retardador o un cortacircuitos. Conéctela a un circuito derivado individual. No tenga un fusible en el circuito neutro o de conexión a tierra.
- No use un cable eléctrico de extensión.
- Si los códigos lo permiten y se emplea un alambre de conexión a tierra separado, es recomendable que un electricista calificado determine si la trayectoria de conexión a tierra es adecuada.

## Conexión eléctrica

Para instalar su secadora adecuadamente, usted debe determinar el tipo de conexión eléctrica que va a usar y seguir las instrucciones que aquí se proveen para el caso.

### Si emplea un cable de suministro eléctrico:

Use un juego aprobado de UL para cable de suministro eléctrico que esté marcado para ser usado en secadoras de ropa. El juego deberá contener:

- Un cable de suministro eléctrico de 30 amperios aprobado de UL, con 230 voltios mínimo. El cable deberá ser del tipo SRD o SRDT y deberá tener un largo de por lo menos 1,22 m (4 ft). Los hilos que conectan con la secadora deberán terminar en terminales de anillo o de horquilla con los extremos hacia arriba.
- Un protector de cables aprobado de UL.

### Si hace la conexión con cableado directo:

El cable de suministro eléctrico debe coincidir con el suministro eléctrico y ser:

- Cable blindado flexible o cable de cobre forrado no metálico (con alambre puesto a tierra), protegido con un conducto metálico flexible. Todos los alambres conductores de corriente deben estar aislados.
- Alambre de cobre sólido de calibre 10 (no utilice aluminio).
- Por lo menos 1,52 m (5 ft) de largo.

## INSTRUCCIONES DE PUESTA A TIERRA

- Para la conexión de una secadora mediante cable eléctrico conectado a tierra:  
Esta secadora debe estar conectada a tierra. En el caso de funcionamiento defectuoso o avería, la conexión a tierra reducirá el riesgo de descarga eléctrica al proporcionar una vía de menor resistencia para la corriente eléctrica. La clavija del cable de suministro eléctrico debe conectarse a un enchufe apropiado, que esté debidamente instalado y conectado a tierra de acuerdo con todos los códigos y ordenanzas locales.

**ADVERTENCIA:** La conexión inadecuada del conductor a tierra del equipo puede provocar riesgo de descarga eléctrica. Si no está seguro de que la conexión a tierra de la secadora es la adecuada, verifíquela con un electricista o representante o personal de servicio calificado. No modifique la clavija del cable de suministro eléctrico provisto con la secadora: si no cabe en el enchufe, consulte a un electricista calificado para instalar un enchufe adecuado.

## GUARDE ESTAS INSTRUCCIONES

## REQUISITOS DE GAS

### ⚠ ADVERTENCIA



#### Peligro de Explosión

Use una línea de suministro de gas nueva con aprobación CSA Internaciónál.

Instale una válvula de cierre.

Apriete firmemente todas las conexiones de gas.

Si se conecta a un suministro de gas L.P., la presión no debe exceder una columna de agua de 330 mm (13 pulg) y debe ser verificada por una persona calificada.

Ejemplos de una persona calificada incluyen:  
personal de servicio del sistema de calefacción con licencia,  
personal autorizado de la compañía de gas, y  
personal autorizado para dar servicio.

No seguir estas instrucciones puede ocasionar la muerte, explosión o incendio.

### OBSERVE TODOS LOS CÓDIGOS Y REGLAMENTOS APLICABLES.

#### Suministro de gas:

Verifique que la secadora esté equipada con el quemador correcto para el tipo de suministro de gas en particular. La información sobre el quemador está ubicada en la placa con el número de modelo/serie que está en la cavidad de la puerta de la secadora. Si esta información no está de acuerdo con el tipo de gas disponible, vea a su distribuidor.

#### Gas natural:

Esta secadora ha sido ajustada en fábrica para ser usada con GAS NATURAL (G20) y no debería necesitarse otro ajuste durante su instalación.

#### Gas LP:

Esta secadora también está certificada para ser usada con gas L.P. (propano o butano) con la conversión adecuada. No se deberá hacer intento alguno para convertir el aparato del gas especificado en la placa indicadora del modelo/de la serie para utilizar un gas distinto sin consultar con el abastecedor de gas.

La conversión deberá llevarla a cabo un técnico calificado.

Los juegos de conversión de gas están disponibles con su distribuidor. El juego incluye las instrucciones completas.

#### Requisitos de la línea de suministro

Provea una línea de suministro de gas de tubería rígida hacia la ubicación de la secadora. Deberá tener un diámetro interno de 12,5 mm (1/2") como mínimo. Cuando sea aceptable para el abastecedor de gas y los códigos locales, una línea rígida de suministro de 10 mm (3/8") de diámetro interno puede ser usada para longitudes menores de 6,1 m (20 ft). Deben usarse compuestos para uniones de tubería que sean resistentes a la acción del gas LP.

La conexión de gas a la secadora debe hacerse con una manguera para gas flexible adecuada para el electrodoméstico y la categoría de gas de acuerdo con las reglamentaciones nacionales de instalación. En caso de dudas, consulte con el proveedor de gas. Deberá tener un diámetro interno de 10 mm (3/8") como mínimo.

Se debe utilizar un medio de sujeción entre el electrodoméstico y la pared, para prevenir que se ejerza tensión en el suministro de gas rígido cuando se mueva el electrodoméstico. Se recomienda una cadena de largo adecuado y un gancho de pared.

La conexión de entrada de gas a la secadora es una rosca de NPT 10 mm (3/8"). Se proporciona un adaptador para convertir a una rosca de 10 mm (3/8" BSP) según la norma ISO.228-1.

Verifique si hay fugas utilizando una solución para detección de fugas que no sea corrosiva. Se observarán burbujas si hay fugas. Tape cualquier fuga que encuentre. Se ha provisto una conexión para medir la presión en la válvula de gas, la cual está ubicada dentro de la secadora, accesible después de haber retirado el panel frontal inferior.

Durante cualquier prueba de presión del sistema, la secadora debe ser desconectada del sistema de tubería del suministro de gas.

## INSTALACIÓN DE LAS PATAS NIVELADORAS

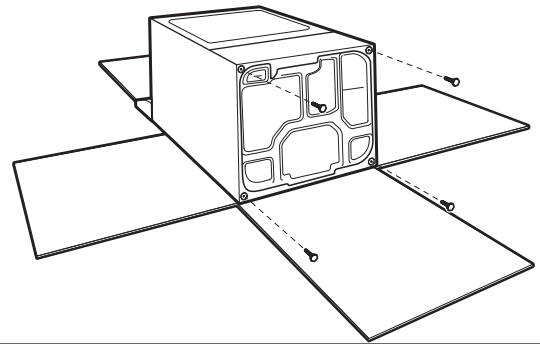
### ⚠ ADVERTENCIA

#### Peligro de Peso Excesivo

Use dos o más personas para mover e instalar la secadora.

No seguir esta instrucción puede ocasionar una lesión en la espalda u otro tipo de lesiones.

### 1. Prepare la secadora para las patas niveladoras



Para evitar daños en el piso, use un pedazo de cartón grande y plano de la caja de la secadora; colóquelo debajo de todo el borde posterior de la secadora. Agarre con firmeza el cuerpo de la secadora (no el panel de la consola) y coloque la secadora suavemente sobre el cartón.

### 2. Atornille las patas niveladoras



Examine las patas niveladoras; localice la marca en forma de diamante. Atornille con la mano las patas en los orificios de las mismas y use una llave de tuercas para terminar de atornillar las patas hasta que la marca en forma de diamante no quede visible.

Ahora coloque la secadora en posición vertical. Deslice la secadora cerca de su ubicación final. Deje suficiente espacio para la conexión eléctrica y para conectar el ducto de escape.

# CONEXIÓN ELÉCTRICA

## Cable de suministro eléctrico

### ⚠ ADVERTENCIA



#### Peligro de Incendio

Use un cable de suministro eléctrico nuevo de 30 amperes que esté en la lista de UL.

Use un protector de cables que esté en la lista de UL.

Desconecte el suministro eléctrico antes de hacer las conexiones eléctricas.

El alambre neutro (azul) deberá estar conectado a la terminal correcta.

El alambre a tierra deberá estar conectado a la terminal central.

El alambre activo (café) deberá estar conectado a la terminal izquierda.

Apriete firmemente todas las conexiones eléctricas.

No seguir estas instrucciones puede ocasionar la muerte, incendio, o choque eléctrico.

## Cable directo

### ⚠ ADVERTENCIA



#### Peligro de Incendio

Utilice alambres de cobre sólido de ancho 10.

Use un protector de cables que esté en la lista de UL.

Desconecte el suministro eléctrico antes de hacer las conexiones eléctricas.

El alambre neutro (azul) deberá estar conectado a la terminal correcta.

El alambre a tierra deberá estar conectado a la terminal central.

El alambre activo (café) deberá estar conectado a la terminal izquierda.

Apriete firmemente todas las conexiones eléctricas.

No seguir estas instrucciones puede causar la muerte, incendio o choque eléctrico.

## Opciones para la conexión eléctrica

### 1. Seleccione el tipo de conexión eléctrica



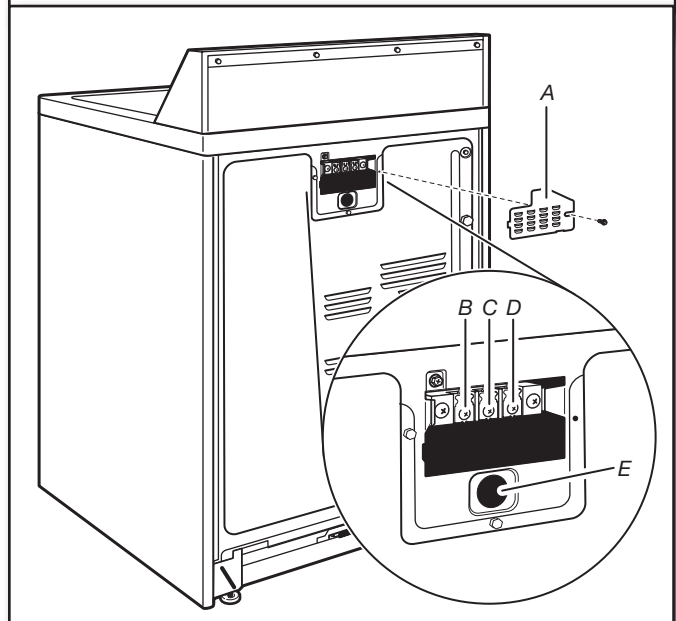
**Cable de suministro de energía (tipo NEMA 10-30R):** Vaya a los pasos 1 y 2 en la página 44 para ver cómo usar el protector de cables con el cable de suministro de energía; luego siga los pasos 3 a 5 para la sección "Conexión por cable de suministro de energía". Después vaya a "Requisitos de ventilación".



**Conexión por cable directo:** Vaya a los pasos 1 y 2 en la página 44 para ver cómo usar el protector de cables con el cable directo; luego siga los pasos 3 a 7 para la sección de "Conexión por cable directo". Después vaya a "Requisitos de ventilación".

**NOTA:** Si los códigos locales no permiten la conexión de un conductor para conexión a tierra de la carcasa al alambre neutro, prosiga a la sección "Cable directo". Esta conexión se puede utilizar con una conexión por cable de suministro de energía o por cable directo.

### 2. Quite la cubierta del bloque de terminal



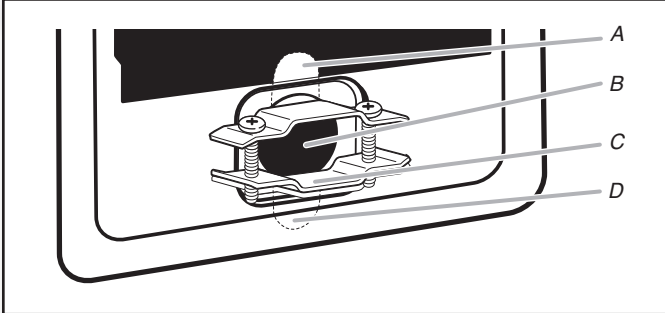
Desconecte el suministro de energía antes de comenzar. Quite la tapa del bloque de terminal (A).

- A. Tapa del bloque de terminal
- B. Tornillo activo
- C. Tornillo a tierra
- D. Tornillo neutro
- E. Orificio del protector de cables

## Instale el protector de cables

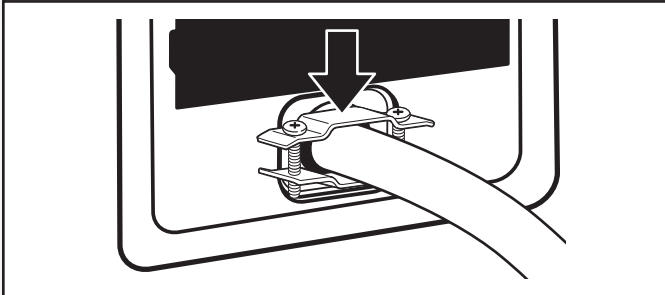
### Protector de cables del cable de suministro de energía

#### 1. Sujete el protector de cables del cable de suministro de energía



Quite los tornillos de un protector de cables de 19 mm (3/4") que esté en la lista de UL (con la marca UL en el protector de cables). Coloque las lengüetas de las dos secciones de la abrazadera (C) en el orificio (B) que está debajo de la abertura del bloque de terminal de manera que una lengüeta esté apuntando hacia arriba (A) y la otra esté apuntando hacia abajo (D), y sujételas en su lugar. Apriete los tornillos del protector de cables lo suficiente para mantener las dos secciones de la abrazadera (C) juntas.

#### 2. Sujete el cable de suministro de energía al protector de cables

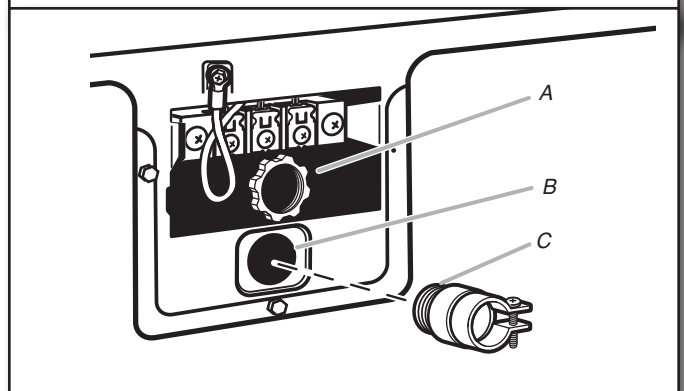


Haga pasar el cable de suministro de energía a través del protector de cables. Asegúrese de que el aislamiento de cables del cable de suministro de energía esté dentro del protector de cables. El protector de cables deberá encajar bien con la carcasa de la secadora y estar en posición horizontal. No ajuste más los tornillos del protector de cables en este momento.

Vaya a "Conexión por cable de suministro eléctrico".

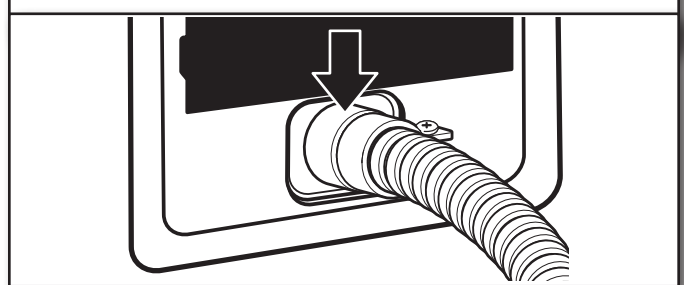
### Protector de cables para cable directo

#### 1. Sujete el protector de cables para cable directo



Desatornille el conector de conducto removible (A) y cualquier tornillo del protector de cables de 19 mm (3/4") que está en la lista de UL (con la marca UL en el protector de cables). Haga pasar la sección trenzada del protector de cables a través del orificio (B) que está debajo de la abertura del bloque de terminal. Busque dentro de la abertura del bloque de terminal y atornille el conector de conducto removible sobre las roscas del protector de cables (C).

#### 2. Sujete el cable directo al protector de cables

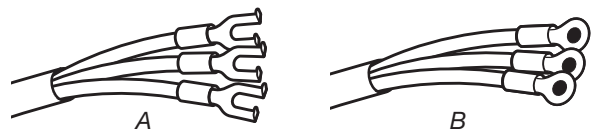


Haga pasar el cable directo a través del protector de cables. El protector de cables deberá encajar bien con la carcasa de la secadora y estar en posición horizontal. Apriete los tornillos del protector de cables.

Vaya a "Conexión por cable directo".

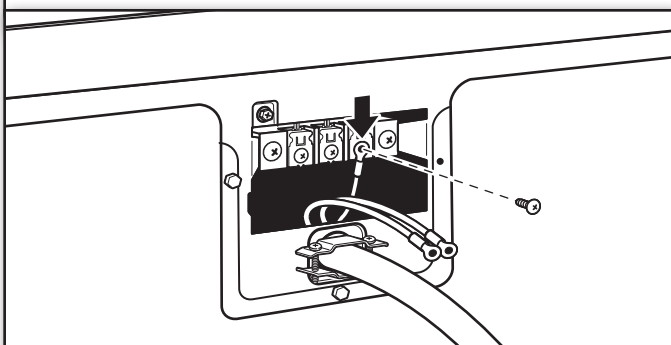
## Conexión por cable de suministro de energía

Usa cuando los códigos locales permitan la conexión del conductor de tierra de la carcasa al hilo neutro.



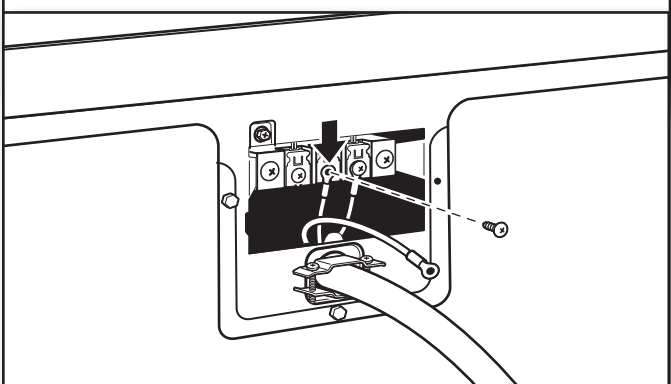
A. Terminales de horquilla con extremos hacia arriba  
B. Protector de cables que esté en la lista de UL de 19 mm (3/4") con terminales de anillo

### 3. Conecte el hilo neutro



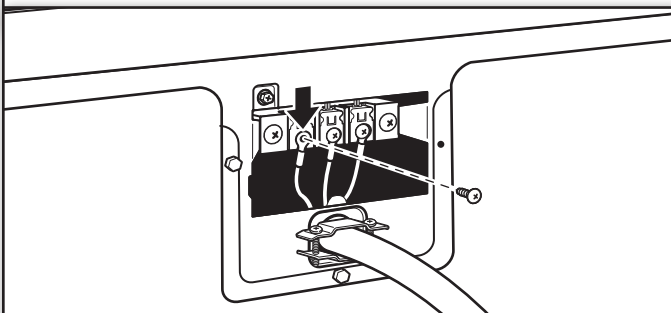
Conecte el hilo neutro (azul) del cable de suministro de energía al tornillo terminal derecho del bloque de terminal. Apriete el tornillo.

### 4. Conecte el hilo a tierra



Conecte el alambre de puesta a tierra a la terminal central. Apriete el tornillo.

### 5. Conecte el alambre activo



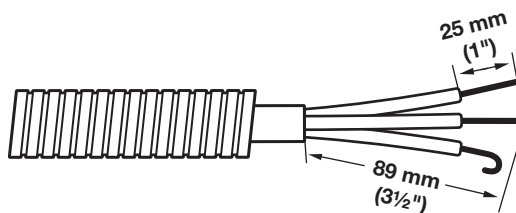
Conecte el alambre activo (café) a la terminal izquierda. Apriete el tornillo y los tornillos del protector de cables.

Por último vuelva a insertar la lengüeta de la tapa del bloque de terminal dentro de la ranura del panel posterior de la secadora. Asegure la tapa con un tornillo de sujeción. Ahora vaya a "Requisitos de ventilación".

## Conexión por cable directo

Use cuando los códigos locales permitan la conexión del conductor de tierra de la carcasa al hilo neutro.

### 3. Prepare el cable de 3 hilos para la conexión directa



El cable de conexión directa debe tener 1,52 m (5 ft) extra de largo para poder mover la secadora si fuese necesario.

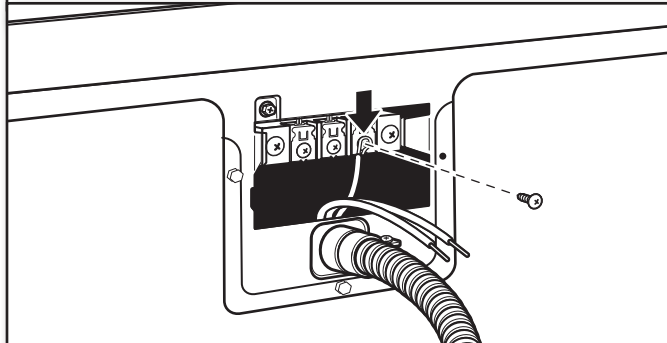
Pele 89 mm (3 1/2") de la cubierta exterior desde el extremo del cable. Pele el aislamiento 25 mm (1") hacia atrás. Si usa un cable trifilar con hilo de tierra, corte el hilo desnudo para que quede nivelado con la cubierta exterior. Doble los extremos de los hilos para formar un gancho.

### 4. Conecte los hilos al bloque de terminal



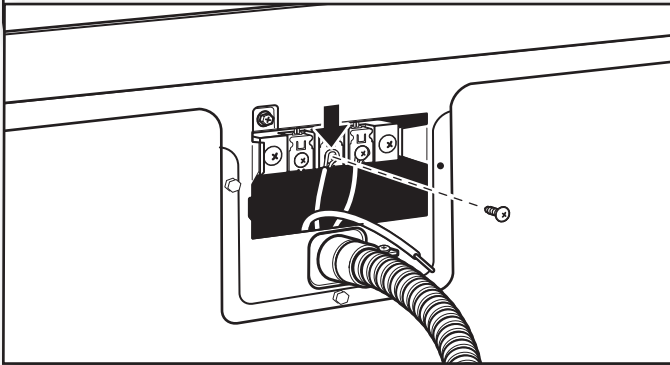
Para conectar los hilos al bloque de terminal, coloque el extremo del hilo en forma de gancho debajo del tornillo del bloque de terminal, mirando hacia la derecha; apriete el extremo en forma de gancho y apriete el tornillo.

### 5. Conecte el hilo neutro



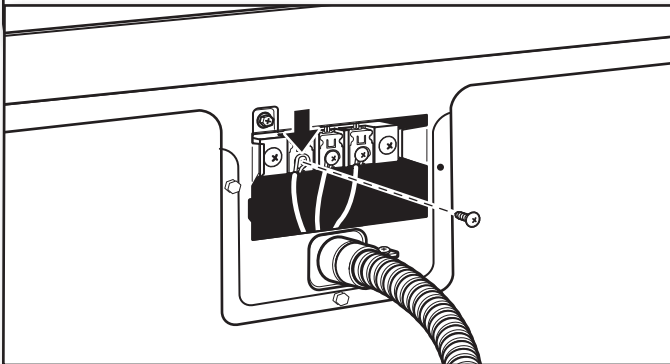
Coloque el extremo en forma de gancho del alambre neutro (azul) del cable de suministro eléctrico debajo del tornillo derecho del bloque de terminal (con el gancho mirando hacia la derecha). Apriete y junte el extremo en forma de gancho. Apriete el tornillo.

## 6. Conecte el hilo a tierra



Coloque el extremo en forma de gancho del alambre a tierra del cable de suministro eléctrico debajo del tornillo central del bloque de terminal (con el gancho mirando hacia la derecha). Apriete y junte el extremo en forma de gancho y apriete el tornillo.

## 7. Conecte el alambre activo



Coloque el extremo en forma de gancho del alambre activo (café) del cable de suministro eléctrico debajo del tornillo izquierdo del bloque de terminal (con el gancho mirando hacia la derecha). Apriete y junte el extremo en forma de gancho. Apriete el tornillo y el tornillo del protector de cables.

Por último vuelva a insertar la lengüeta de la tapa del bloque de terminal dentro de la ranura del panel posterior de la secadora. Asegure la tapa con un tornillo de sujeción. Ahora vaya a "Requisitos de ventilación".

# VENTILACIÓN

## REQUISITOS DE VENTILACIÓN

### ⚠ ADVERTENCIA



#### Peligro de Incendio

Use un ducto de escape de metal pesado.

No use un ducto de escape de plástico.

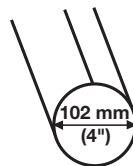
No use un ducto de escape de aluminio.

No seguir estas instrucciones puede ocasionar la muerte o incendio.

**ADVERTENCIA:** Para reducir el riesgo de incendio, esta secadora DEBE VENTILARSE HACIA EL EXTERIOR.

**IMPORTANTE:** Observe todas las normas y ordenanzas vigentes.

El ducto de escape de la secadora no debe conectarse en ningún ducto de escape de gas, chimenea, pared, techo, desván, espacio angosto o el espacio oculto de un edificio. Deberá usarse solamente un ducto de metal rígido o flexible para el escape.



- Sólo puede usarse un ducto de escape de metal pesado de 102 mm (4") y abrazaderas.
- No use ducto de escape de plástico o de hoja de metal.

#### Ducto de escape de metal rígido:

- Se recomienda para un mejor desempeño en el secado y para evitar que se aplaste o se tuerza.

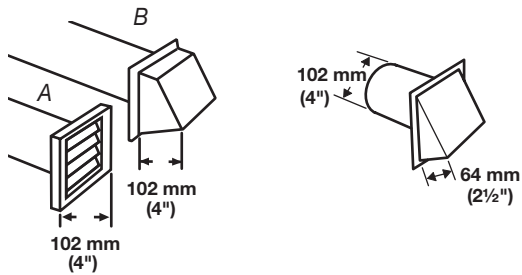
**Ducto de escape de metal flexible:** (Es aceptable sólo si es accesible para la limpieza)

- Deberá extenderse por completo y tener soporte en la ubicación final de la secadora.
- Quite el exceso del mismo para evitar que se doble y se tuerza, lo cual podría dar lugar a una reducción del flujo de aire y a un rendimiento insuficiente.
- No instale un ducto de escape de metal flexible en paredes, techos o pisos encerrados.
- El largo total no debe exceder 7<sup>3</sup>/<sub>4</sub> ft (2,4 m).

**NOTA:** Si se usa un sistema de ventilación existente, limpie la pelusa que está en toda la longitud del sistema y asegúrese de que la capota de ventilación no esté obstruida con pelusa. Reemplace los ductos de escape de plástico o de hoja de metal por ductos de metal rígido o de metal flexible. Revise el cuadro del sistema de ventilación y si es necesario modifique el sistema de ventilación existente para lograr el mejor desempeño de secado.

## Capotas de ventilación:

- Deberán estar a por lo menos 305 mm (12") desde el piso o cualquier objeto que pueda obstruir la salida (tales como flores, rocas, arbustos o nieve).

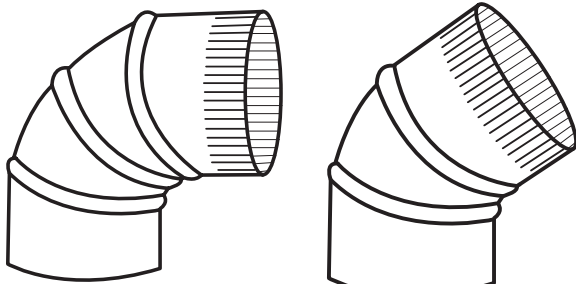


Estilos recomendados:  
A. Capota tipo persiana  
B. Capota tipo caja

Estilos aceptables:  
C. Capota angular

## Codos:

- Los codos de 45° proveen un mejor flujo de aire que los codos de 90°.

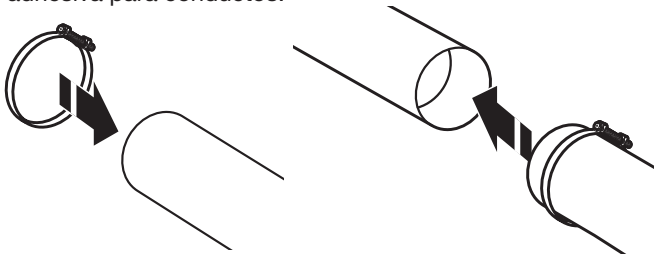


Bien

Mejor

## Abrazaderas:

- Utilice abrazaderas para sellar todas las juntas.
- No debe conectarse ni asegurarse el ducto de escape con tornillos ni con ningún otro dispositivo que se extienda hacia el interior de dicho ducto y atrape pelusa. No utilice cinta adhesiva para conductos.



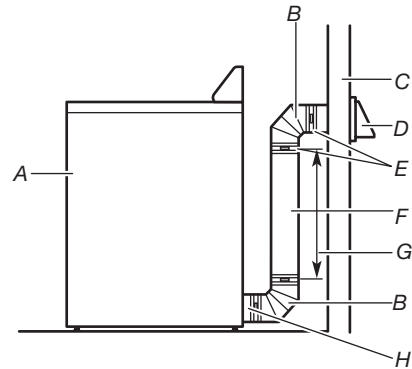
**La ventilación inadecuada puede ocasionar la acumulación de humedad y pelusa en la casa, lo cual puede dar como resultado:**

- Daños de humedad en la carpintería, muebles, pintura, empapelado, alfombras, etc.
- Problemas en la limpieza de la casa y de salud.

# PLANIFICACIÓN DEL SISTEMA DE VENTILACIÓN

## Seleccione su tipo de instalación de ventilación

Las instalaciones típicas tienen la ventilación en la parte posterior de la secadora. Otras instalaciones son posibles.



A. Secadora  
B. Codo  
C. Pared  
D. Capota de ventilación  
E. Abrazaderas

F. Ducto de metal rígido o de metal flexible  
G. Longitud necesaria del ducto de escape para conectar los codos  
H. Salida de ventilación

## ⚠ ADVERTENCIA



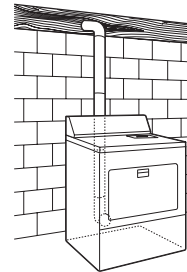
### Peligro de Incendio

**Cubra los orificios de escape no usados con un juego de cubierta para orificios de escape del fabricante.**

**Comuníquese con su distribuidor local.**

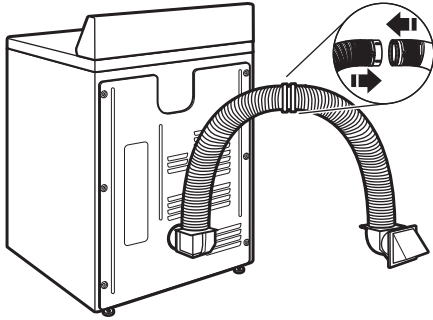
**No seguir estas instrucciones puede ocasionar la muerte, incendio, choque eléctrico, o lesiones graves.**

Instalación con salida de ventilación estándar con ducto de escape de metal rígido o flexible

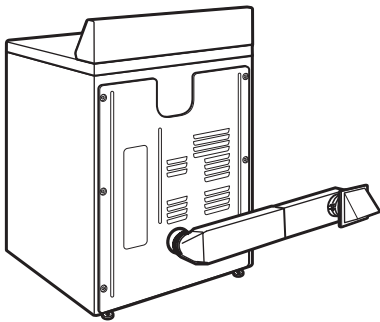


## Instalaciones alternas para espacios limitados

Los sistemas de ventilación vienen en una amplia gama. Seleccione el tipo más apropiado para su instalación. A continuación se ilustran dos tipos de instalación para espacios limitados. Consulte las instrucciones del fabricante.



Instalación en la parte superior  
(también está disponible con un codo de desviación)



Instalación de periscopio

**NOTA:** Se pueden adquirir los siguientes juegos para instalaciones alternas en espacios limitados. Para hacer un pedido, contacte al distribuidor en donde compró la secadora o a una compañía de servicio autorizada.

- Instalación en la parte superior:  
Pieza número 4396028
- Instalación de periscopio (Para usar si hay desacoplo entre el ducto de escape de la pared y el conducto de ventilación de la secadora):  
Pieza número 4396037 - Desacoplo de 0 mm (0") a 457,2 mm (18").  
Pieza número 4396011 - Desacoplo de 457,2 mm (18") a 736,6 mm (29").  
Pieza número 4396014 - Desacoplo de 736,6 mm (29") a 1270 mm (50").

## Determinación de la vía del ducto de escape:

- Seleccione la vía que proporcione el trayecto más recto y directo al exterior.
- Planifique la instalación a fin de usar el menor número posible de codos y vueltas.
- Cuando use los codos o haga vueltas, deje todo el espacio que sea posible.
- Doble el ducto gradualmente para evitar torceduras.
- Use la menor cantidad posible de vueltas de 90°.

## Determinación de la longitud del ducto de escape y de los codos necesarios para obtener un óptimo rendimiento de secado:

- Use el cuadro del sistema de ventilación a continuación para determinar el tipo de material para ducto y la combinación de capota aceptable a usar.

**NOTA:** No use tendidos de ducto de escape más largos que los especificados en el cuadro del sistema de ventilación. Los sistemas de ventilación más largos que los especificados:

- Acortarán la vida de la secadora.
- Reducirán el rendimiento, dando lugar a tiempos de secado más largos y un aumento en el consumo de energía.

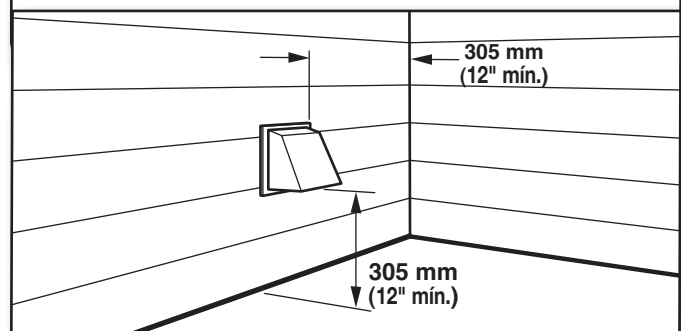
El cuadro del sistema de ventilación indica los requisitos de ventilación que le ayudarán a alcanzar el mejor rendimiento de secado.

### Cuadro del sistema de ventilación

No. de vueltas de 90° o codos	Tipo de ducto	Capotas de ventilación tipo caja/persiana	Capotas angulares
0	Metal rígido	20 m (64 ft)	17,7 m (58 ft)
1	Metal rígido	16,5 m (54 ft)	48 ft (14,6 m)
2	Metal rígido	13,4 m (44 ft)	11,6 m (38 ft)
3	Metal rígido	10,7 m (35 ft)	8,8 m (29 ft)
4	Metal rígido	8,2 m (27 ft)	6,4 m (21 ft)

## INSTALACIÓN DEL SISTEMA DE VENTILACIÓN

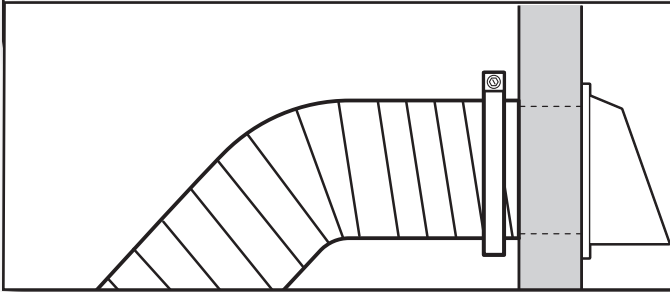
### 1. Instale la capota de ventilación



Instale la capota de ventilación y use compuesto para calafateo para sellar la abertura exterior de la pared alrededor de la capota de ventilación.



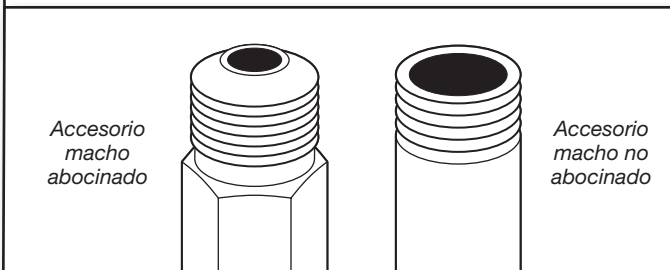
## 2. Conecte el ducto de escape a la capota de ventilación



El ducto de escape debe encajar sobre la capota de ventilación. Asegure el ducto de escape a la capota de ventilación con una abrazadera de 102 mm (4"). Extienda el ducto de escape a la ubicación de la secadora usando la trayectoria más recta que sea posible. Evite giros de 90°. Utilice abrazaderas para sellar todas las juntas. Para asegurar el ducto de escape, no use cinta para ductos, tornillos ni otros dispositivos de fijación que se extiendan hacia el interior de dicho ducto, ya que pueden atrapar pelusa.

## CONEXIÓN DEL SUMINISTRO DE GAS

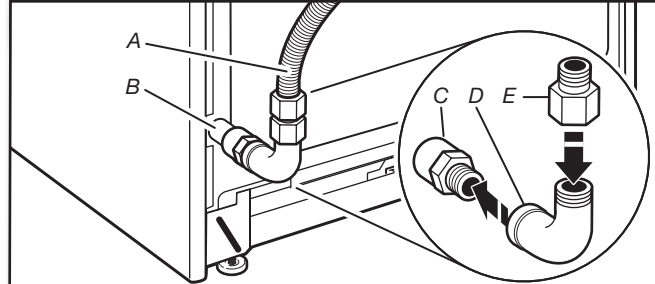
### 1. Conecte la línea de suministro de gas a la secadora



Quite la tapa roja del tubo de gas. Utilizando una llave de tuercas para ajustar, conecte el suministro de gas a la secadora. Use compuesto para unión de tubos en las roscas de todos los accesorios macho no abocinados. Si se usa tubería flexible de metal, asegúrese de que no hayan partes retorcidas.

**NOTA:** Para las conexiones de gas LP, debe usar un compuesto para unión de tuberías resistente a la acción del gas LP. No utilice cinta TEFLON<sup>†</sup>.

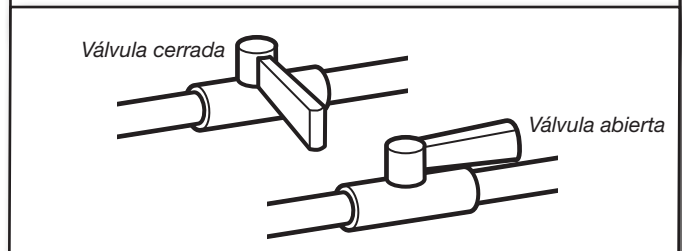
## 2. Planifique la conexión del accesorio para la tubería



A. Conector flexible de gas de 3/8" D. Codo de tubería de 3/8" a 3/8"  
 B. Tubo de la secadora de 3/8" E. Accesorio adaptador abocinado para tubo de 3/8" 3/8" a ISO  
 C. Accesorio adaptador de rosca, 3/8" a ISO

Se debe usar una combinación de accesorios para tuberías para conectar la secadora a la línea de suministro de gas existente. Se muestra una conexión recomendada. Su conexión puede ser distinta, de acuerdo con el tipo de línea de suministro, su tamaño y ubicación.

## 3. Válvula de cierre abierta

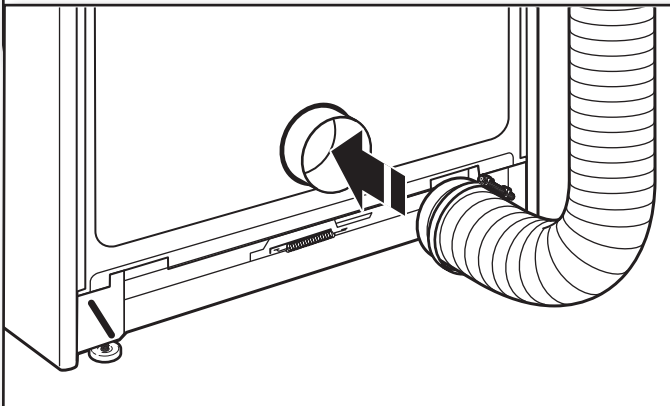


Abra la válvula de cierre en la línea de suministro; la válvula está abierta cuando la manija está paralela al tubo de gas. Luego pruebe todas las conexiones aplicando con un cepillo una solución aprobada para detección de fugas que no sea corrosiva. Se observarán burbujas si hay fugas. Tape cualquier fuga que encuentre.

<sup>†</sup>TEFLON es una marca registrada de E.I. Du Pont De Nemours and Company.

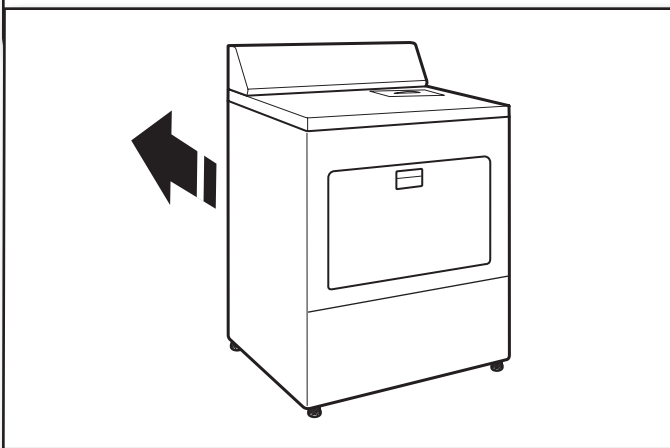
## CONEXIÓN DEL DUCTO DE ESCAPE DE ESCAPE

### 1. Conecte el ducto de escape a la salida de escape



Usando una abrazadera de 102 mm (4"), conecte el ducto de escape a la salida de aire de la secadora. Si se conecta a un ducto de escape existente, asegúrese de que el mismo esté limpio. El ducto de escape de la secadora debe encajar sobre la salida de aire de la secadora y dentro de la capota de ventilación. Cerciórese de que el ducto de escape esté asegurado a la capota de ventilación con una abrazadera de 102 mm (4").

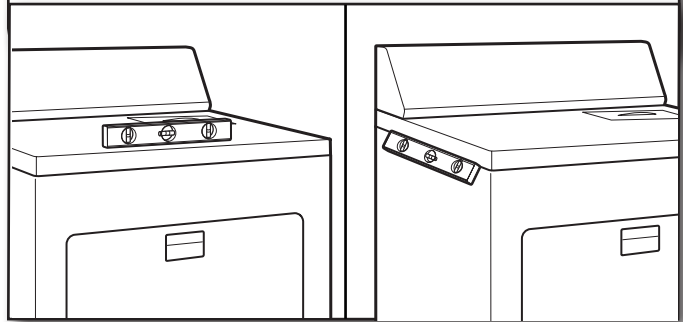
### 2. Traslade la secadora hacia su ubicación final



Traslade la secadora hacia su ubicación final. Evite aplastar o retorcer el ducto de escape. Después de que la secadora se encuentre en su ubicación final, quite los esquinales y el cartón que están debajo de la misma.

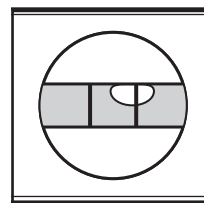
## NIVELACIÓN DE LA SECADORA

### 1. Nivele la secadora

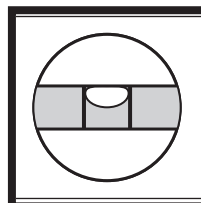


Revise la nivelación de la secadora de lado a lado. Repita el procedimiento de adelante hacia atrás.

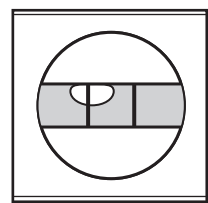
**NOTA:** La secadora debe estar nivelada para que el sistema de detección de humedad funcione correctamente.



No está nivelada

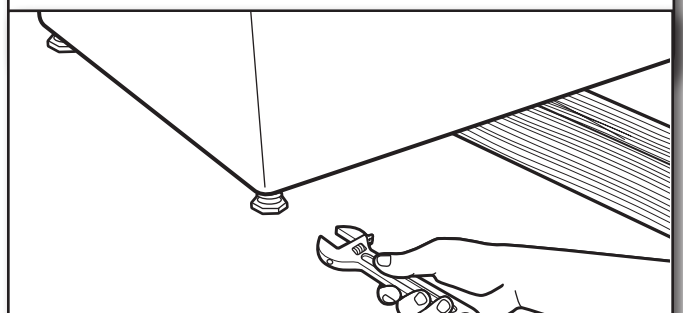


**NIVELADA**



No está nivelada

### 2. Apriete y regule las patas niveladoras



Si la secadora no está nivelada, levántela colocando un bloque de madera debajo de la misma, use una llave de tuercas para regular las patas hacia arriba o hacia abajo y revise nuevamente si está nivelada. Una vez que las patas estén niveladas, cerciórese de que las cuatro patas estén ajustadas contra el suelo antes de apretarlas.

## LISTA DE CONTROL DE LA INSTALACIÓN TERMINADA

- Verifique que todas las piezas estén ahora instaladas. Si hay alguna pieza extra, vuelva a revisar todos los pasos para ver qué se omitió.
- Verifique que tenga todas las herramientas.
- Deshágase de todos los materiales de embalaje o recícelos.
- Revise la ubicación final de la secadora. Asegúrese de que el ducto de escape no esté aplastado ni retorcido.
- Para una instalación con cable de suministro de energía, enchufe en un contacto. Para una instalación con cableado directo, encienda el suministro de energía.
- Verifique que la secadora esté nivelada. Vea “Nivelación de la secadora”.
- Quite la película que está en la consola y cualquier cinta adhesiva que haya quedado en la secadora.
- Limpie el interior del tambor de la secadora meticulosamente con un paño húmedo, para quitar residuos de polvo.
- Lea “Uso de la secadora” en el Manual de uso y cuidado.
- Fije la secadora en un ciclo con calor máximo (no en un ciclo de aire) por 20 minutos y póngala en marcha. (Si tiene una secadora a gas, ésta tiene un sistema de encendido electrónico para el quemador, que es completamente automático; el usuario no tiene que hacer nada [no hay luz piloto]).

### Si la secadora no funciona, revise lo siguiente:

- Que los controles estén fijados en una posición de funcionamiento u “On” (Encendido).
  - Que se ha presionado con firmeza el botón de puesta en marcha.
  - Que la secadora esté enchufada en un contacto y/o el suministro de energía eléctrica esté encendido.
  - Que el fusible de la casa esté intacto y ajustado, o que no se haya disparado el cortacircuitos.
  - Que la puerta de la secadora esté cerrada.
- Cuando la secadora haya estado funcionando por 5 minutos, abra la puerta y sienta si hay calor. Si siente calor, cancele el ciclo y cierre la puerta.

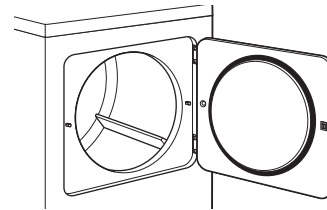
### Si no siente el calor, apague la secadora y revise lo siguiente:

- Es posible que hayan 2 fusibles o cortacircuitos domésticos para la secadora. Asegúrese de que ambos fusibles estén intactos y ajustados, o de que ningún cortacircuitos se haya disparado. Si aún así no siente calor, contacte a un técnico calificado.

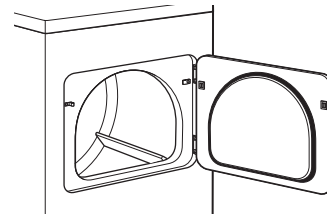
**NOTA:** Podrá notar un olor cuando la secadora se calienta por primera vez. Este olor es común cuando se usa por primera vez el elemento calefactor. El olor desaparecerá.

## CAMBIO DEL SENTIDO DE ABERTURA DE LA PUERTA (OPCIONAL)

Si tiene la puerta grande de abertura lateral de 29", siga los pasos 1 a 6.



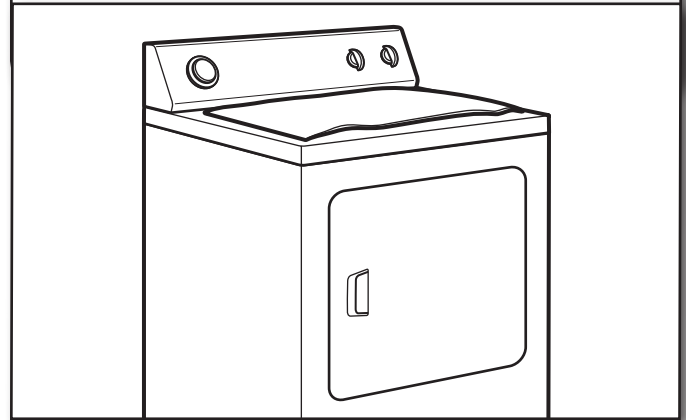
Si tiene la puerta extra ancha de abertura lateral de 29", siga los pasos 1 a 13 en la página 53.



**NOTA:** Un destornillador imantado es útil.

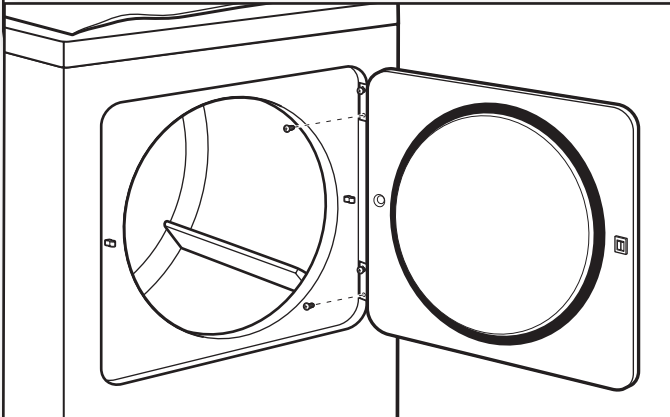
### Puerta grande de abertura lateral

#### 1. Coloque una toalla sobre la secadora



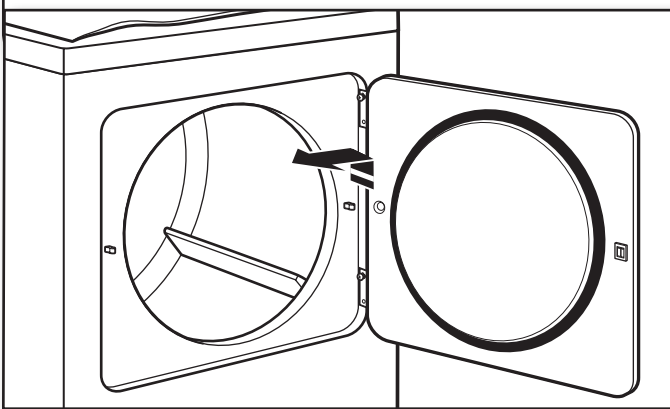
Coloque una toalla encima de la secadora para evitar dañar la superficie.

## 2. Quite los tornillos de la parte inferior



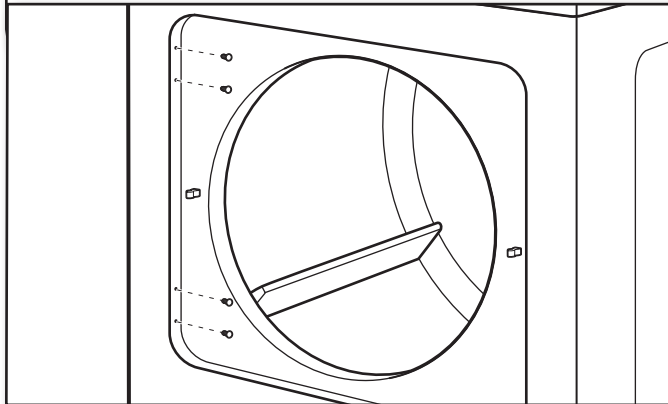
Abra la puerta de la secadora. Extraiga los tornillos inferiores de las bisagras del lado de la carcasa. Afloje (no extraiga) los tornillos superiores de las bisagras del lado de la carcasa.

## 3. Levante y quite la puerta de los tornillos de la parte superior



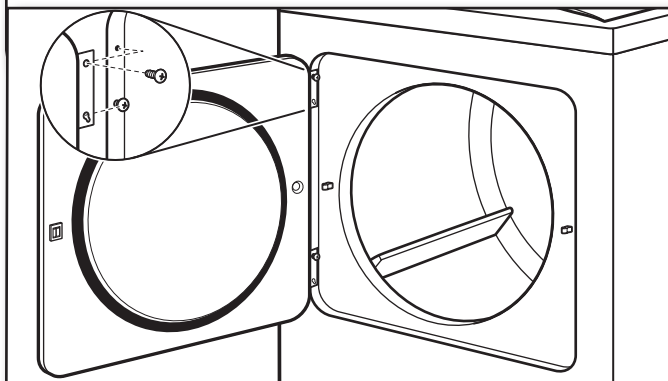
Levante la puerta hasta que los tornillos superiores de la carcasa estén en la parte grande de la ranura de la bisagra. Jale la puerta hacia adelante para separarla de los tornillos. Coloque la puerta encima de la secadora. Extraiga los tornillos superiores de la carcasa de la secadora.

## 4. Quite y transfiera los tapones de los orificios de la bisagra



Use un destornillador pequeño de hoja plana para quitar con cuidado los cuatro tapones de los orificios de la bisagra que están en el lado izquierdo de la carcasa. Introduzca los tapones en los orificios de la bisagra en el lado opuesto de la carcasa de la secadora.

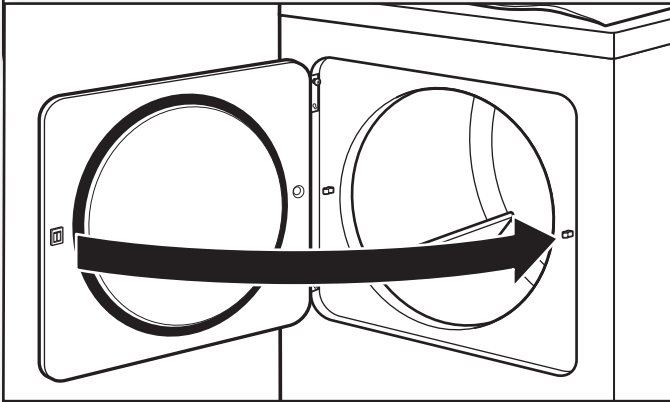
## 5. Inserte los tornillos en los orificios de la bisagra que está en la carcasa de la secadora



**NOTA:** Puede ser que necesite la ayuda de dos personas para volver a instalar la puerta.

Introduzca los tornillos en los orificios inferiores en el lado izquierdo de la carcasa de la secadora. Atorníllelos por la mitad. Coloque la puerta de tal forma que el extremo grande de la ranura de la bisagra esté encima de los tornillos. Deslice la puerta hacia arriba para que los tornillos estén en la parte inferior de las ranuras. Apriete los tornillos. Introduzca y apriete los tornillos superiores en las bisagras.

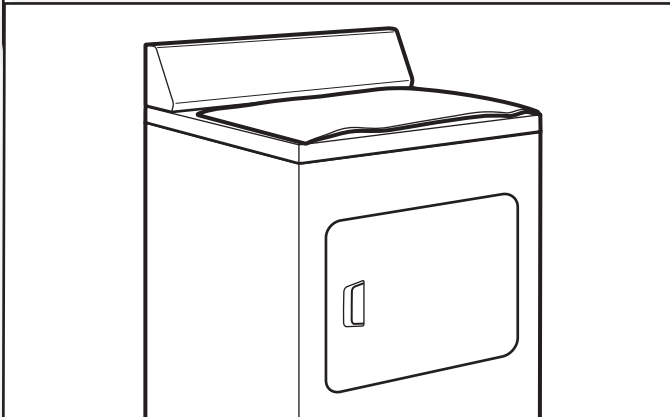
## 6. Revise el alineamiento del tope de la puerta de la puerta



Cierre la puerta y asegúrese de que el tope de la puerta está alineado con el seguro de la puerta. Si es necesario, deslice el seguro de la puerta hacia la izquierda o derecha dentro de la ranura para ajustar la alineación.

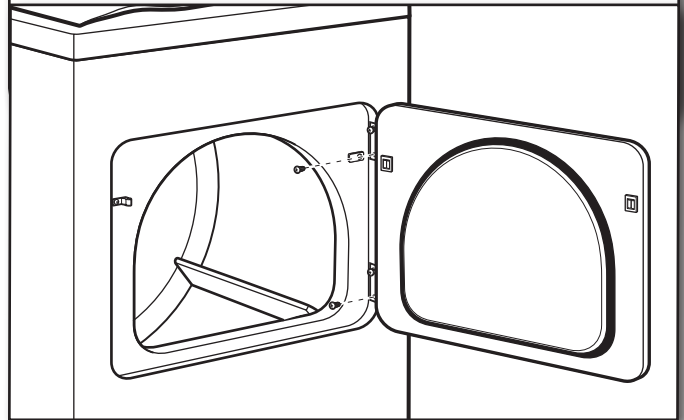
Puerta extra ancha de abertura lateral

## 1. Coloque una toalla sobre la secadora



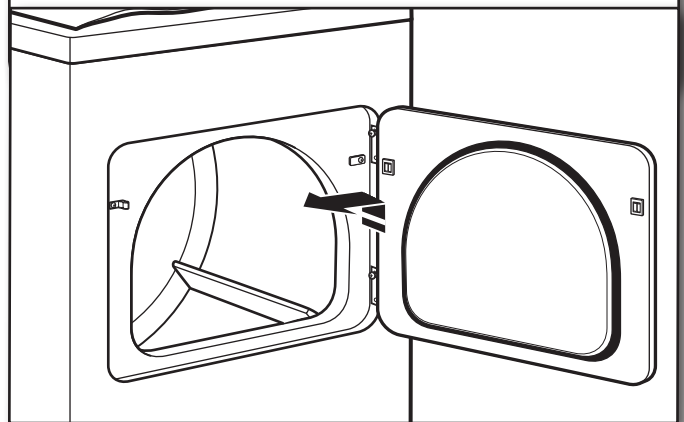
Coloque una toalla encima de la secadora para evitar dañar la superficie.

## 2. Quite los tornillos de la parte inferior



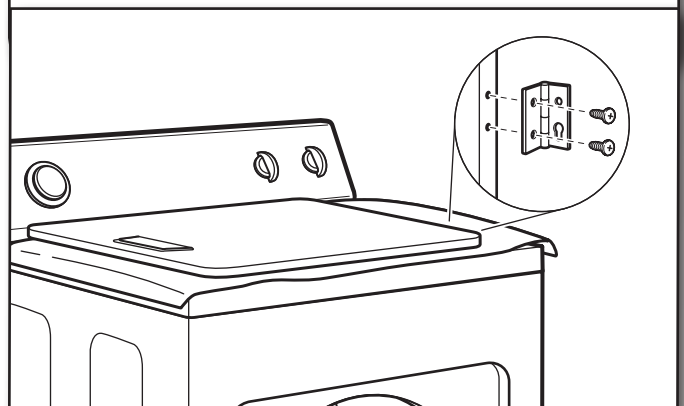
Abra la puerta de la secadora. Extraiga los tornillos inferiores de las bisagras del lado de la carcasa. Afloje (no extraiga) los tornillos superiores de las bisagras del lado de la carcasa de la secadora.

## 3. Levante y quite la puerta de los tornillos de la parte superior



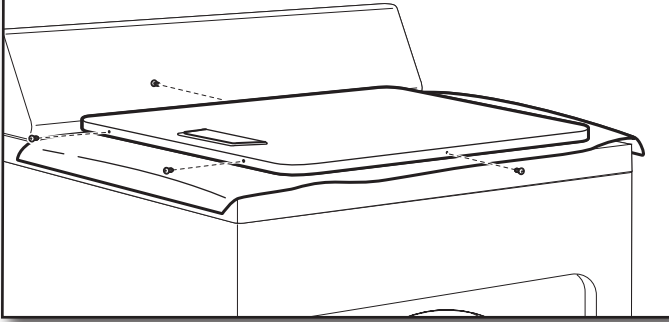
Levante la puerta hasta que los tornillos superiores de la carcasa estén en la parte grande de la ranura de la bisagra. Jale la puerta hacia adelante para separarla de los tornillos. Coloque la puerta (con el lado de la manija hacia arriba) encima de la secadora. Extraiga los tornillos superiores de la carcasa de la secadora.

## 4. Quite los tornillos de las bisagras



Quite los tornillos que unen las bisagras con la puerta.

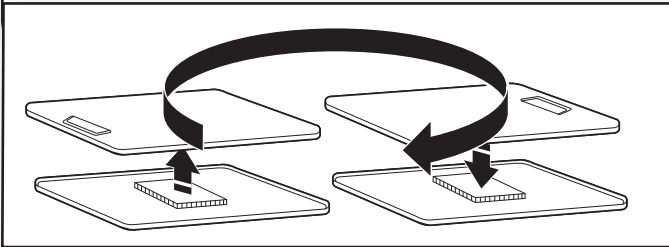
## 5. Quite los tornillos de la puerta



Quite los tornillos de la parte superior, inferior y lateral de la puerta (4 tornillos). Mantenga los tornillos de la puerta separados de los tornillos de la bisagra, ya que son de distintos tamaños. Sosteniendo la puerta sobre la toalla encima de la secadora, sujete los lados de la puerta exterior y levántela para separarla de la puerta interior.

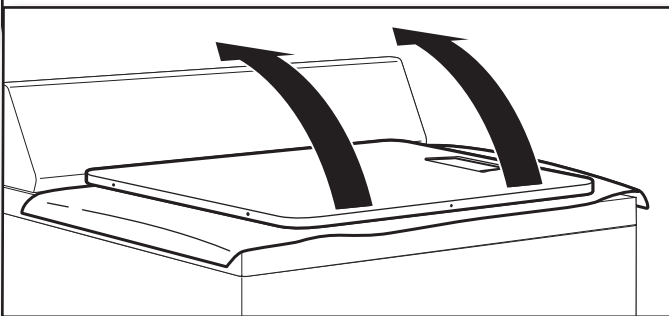
**NOTA:** No haga palanca con un cuchillo para masilla o un destornillador. No jale el sello de la puerta ni los seguros de plástico de la puerta.

## 6. Gire la puerta exterior



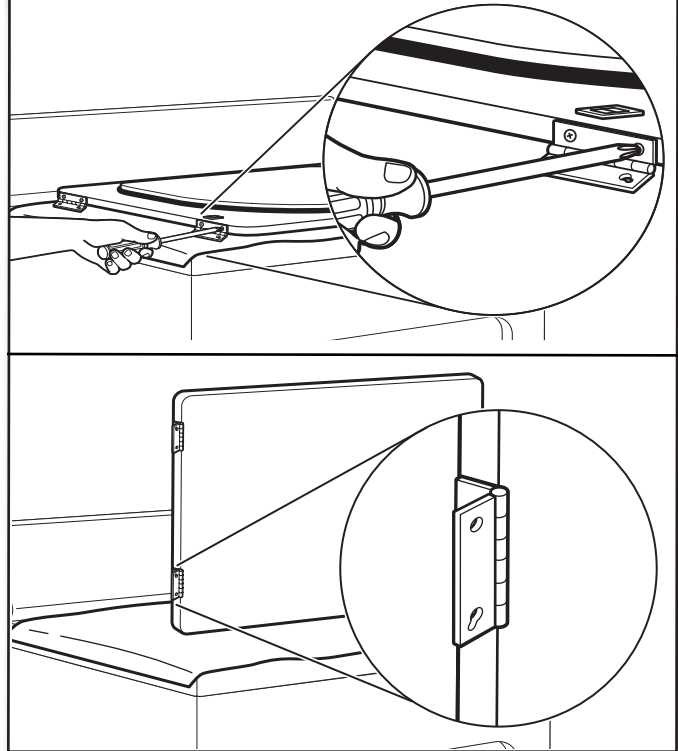
Tome la puerta exterior, gírela 180° y colóquela de nuevo sobre la puerta interior. Asegúrese de mantener el espaciador de cartón centrado entre las puertas. Vuelva a sujetar el panel exterior al panel interior de la puerta, de modo que la manija quede en el lado en donde recién se han quitado las bisagras. Inserte los 4 tornillos de la puerta.

## 7. Dé vuelta la puerta



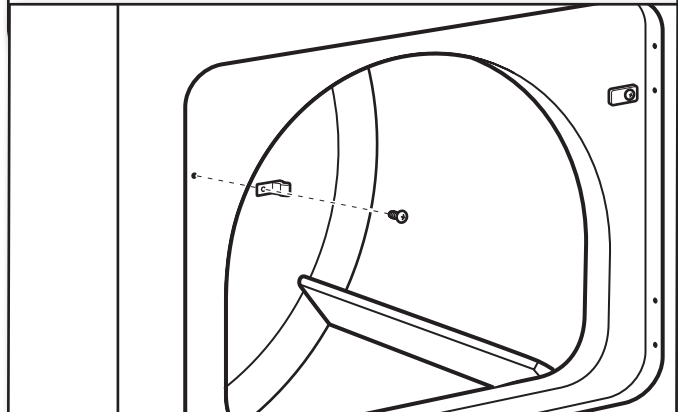
Dé vuelta la puerta de modo que la manija quede hacia abajo.

## 8. Sujete las bisagras de la puerta



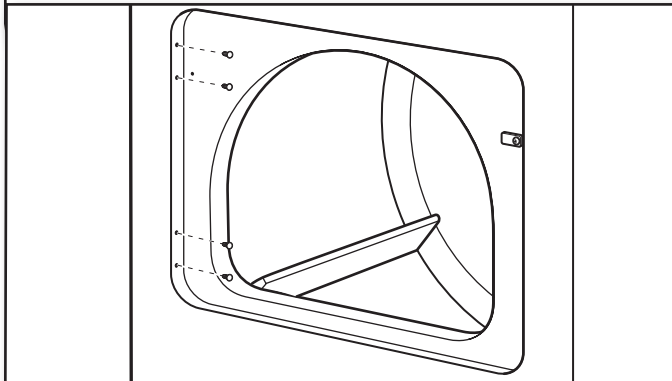
Fije las bisagras de la puerta a la puerta de la secadora, de manera que el orificio más grande quede en la parte inferior de la bisagra.

## 9. Quite el tope de la puerta



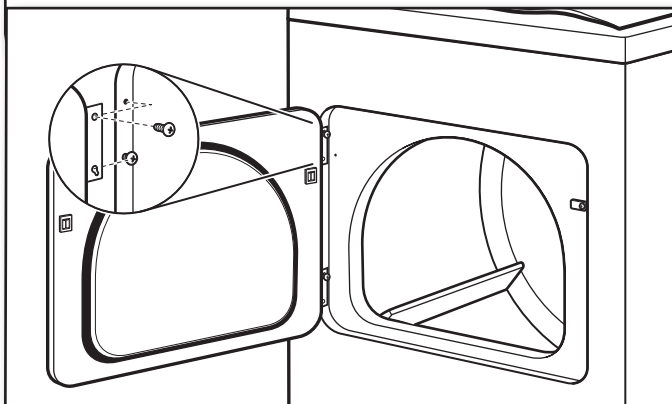
Quite el tope de la puerta de la carcasa de la secadora y colóquelo a un lado.

## 10. Quite y transfiera los tapones de los orificios de la bisagra



Use un destornillador pequeño de hoja plana para quitar cuidadosamente 4 tapones de los orificios de las bisagras en el lado izquierdo de la carcasa de la secadora. Mueva los tapones de los orificios de la bisagra al lado opuesto de la carcasa de la secadora.

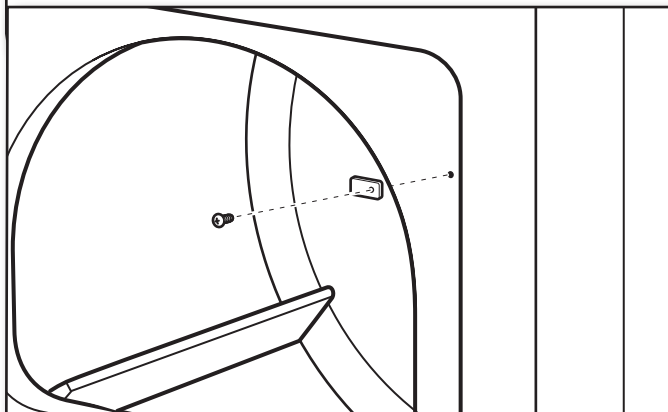
## 11. Inserte los tornillos en los orificios de la carcasa de la secadora



**NOTA:** Puede ser que necesite la ayuda de dos personas para instalar la puerta.

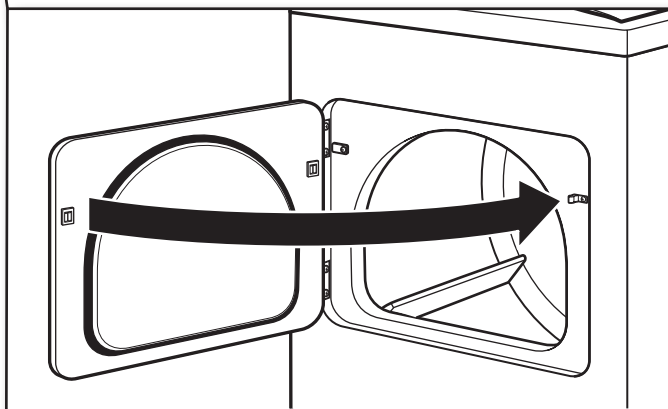
Introduzca los tornillos en los orificios inferiores del lado izquierdo de la carcasa de la secadora. Atorníllelos por la mitad. Coloque la puerta de tal forma que el extremo grande de la ranura de la bisagra esté sobre los tornillos. Deslice la puerta hacia arriba para que los tornillos estén en la parte de abajo de las ranuras. Apriete los tornillos. Introduzca y apriete los tornillos superiores en las bisagras.

## 12. Quite el tapón del tope de la puerta



Quite el tapón del tope de la puerta. Introduzca el tope de la puerta que usted quitó en el paso 9 en el orificio, y asegúrelo con un tornillo. Introduzca el tapón del tope de la puerta en el orificio original del tope de la puerta y asegúrelo con un tornillo.

## 13. Revise el alineamiento del tope de la puerta



Cierre la puerta y asegúrese de que el tope de la misma esté alineado con el seguro de la puerta. Si es necesario, deslice el seguro de la puerta hacia la izquierda o derecha dentro de la ranura a fin de ajustar la alineación.

## Solución de problemas

Consulte el Manual de uso y cuidado para evitar posiblemente el costo de una visita de servicio técnico.

**W10454274C**

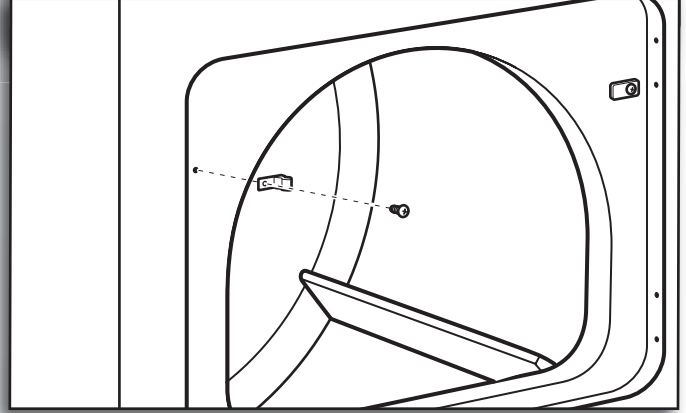
© 2012 Whirlpool Corporation.  
All rights reserved  
Tous droits réservés  
Todos los derechos reservados

10/12  
Printed in U.S.A.  
Imprimé aux É.-U.  
Impreso en EE.UU.



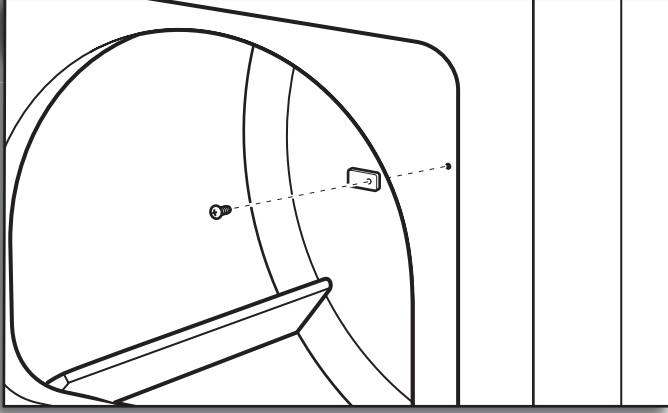


## 9. إزالة عائق الباب



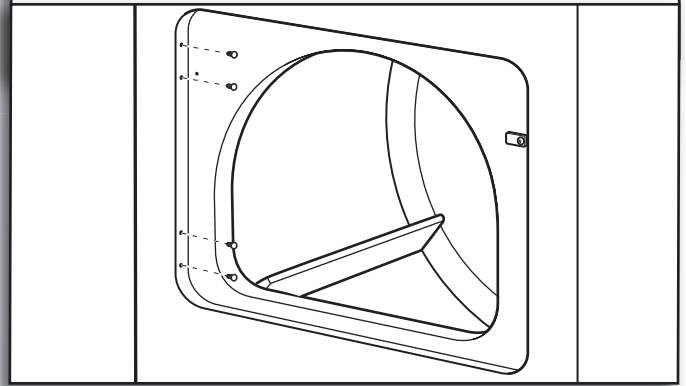
قم بإزالة عائق الباب من كابينة المجفف وضعه جانبا.

## 12. إزالة سدادة عائق الباب



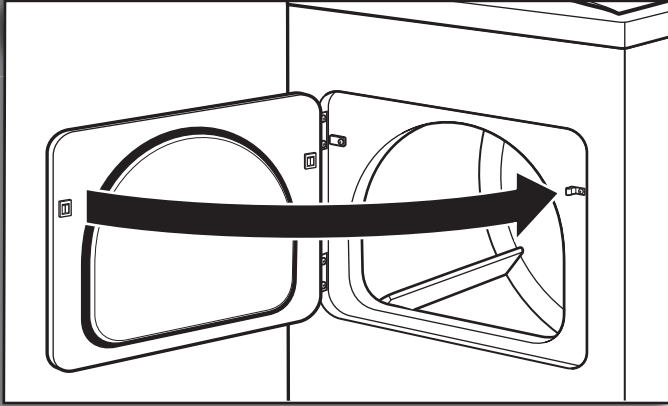
قم بإزالة سدادة عائق الباب. أدخل عائق الباب الذي أزالته في الخطوة 9 في الثقب وأحكم بالمسمار. أدخل سدادة عائق الباب في ثقب عائق الباب الأصلي وأحكم بالمسمار.

## 10. إزالة ونقل سدادات ثقب المفصلة



استخدم مفك صغير بشفرة مسطحة لتزليل بلطف 4 سدادات ثقب المفصلة على الجانب الأيسر لكابينة المجفف. انقل السدادات في ثقب المفصلة على الجانب الآخر لكابينة المجفف.

## 13. التحقق من محاذاة عائق الباب

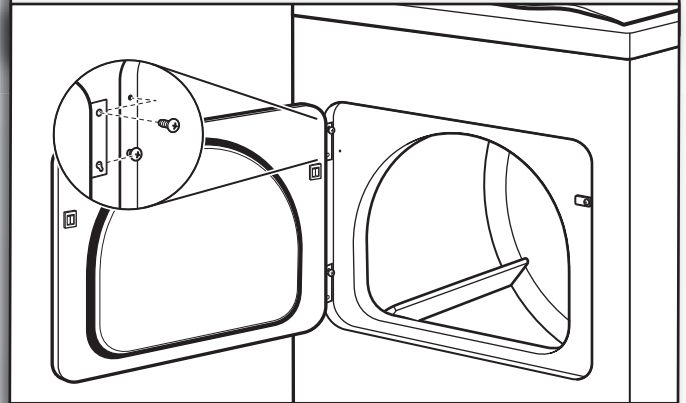


أغلق الباب وتأكد أن عائق الباب يحاذي مزلاج الباب. وإذا لزم الأمر، قم بزلق مزلاج الباب إلى اليسار أو اليمين داخل الشقب لضبط المحاذاة.

## استكشاف الأعطال وإصلاحها

راجع دليل الاستخدام والعناية لتجنب دفع أي نفقات نظير الاتصال بمركز الخدمة.

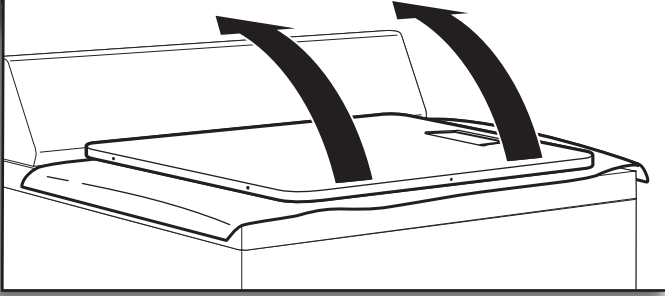
## 11. أدخل المسامير في فتحات المفصلة على كابينة المجفف



**ملاحظة:** ربما تحتاج لشخصين لإعادة تركيب الباب.

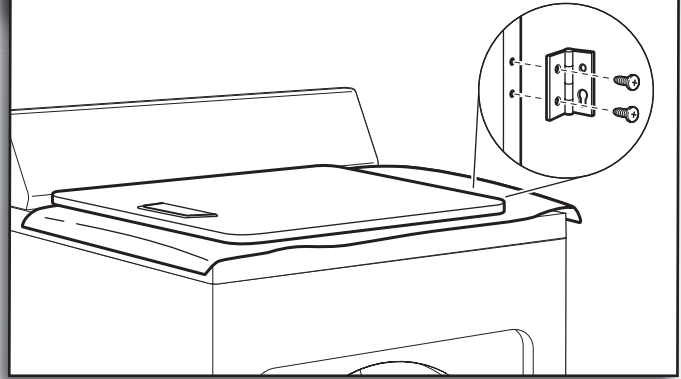
ادخل المسامير في الثقوب السفلية على الجانب الأيسر لكابينة المجفف. اربط المسامير لمنتصف المسافة. ضع الباب حتى يكون الطرف الكبير لشقب مفصلة الباب على المسامير. قم بزلق الباب لأعلى حتى تكون المسامير في الجزء السفلي للشقوب. أحكم ربط المسامير. أدخل وأحكم ربط المسامير العلوية في المفصلات.

#### 7. قلب الباب من أعلى لأسفل



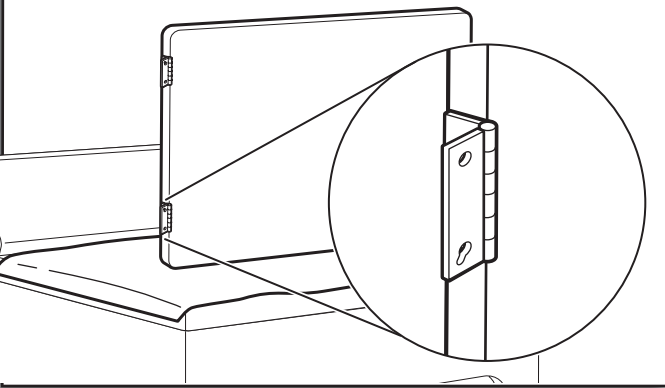
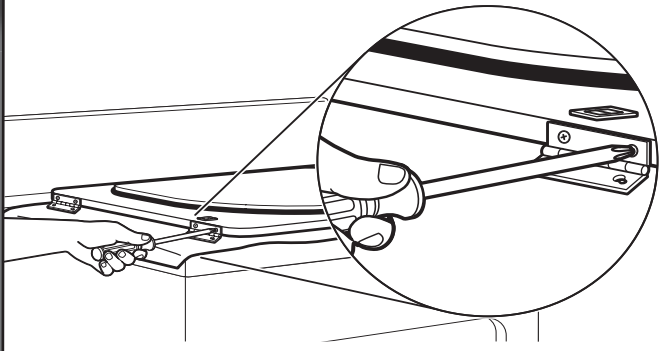
اقلب الباب من أعلى لأسفل حتى يكون جانب المقبض لأسفل.

#### 4. إزالة المسامير من المفصلات



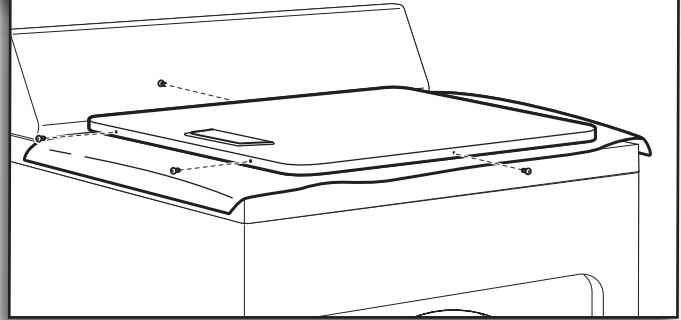
إزالة المسامير التي تربط المفصلات بالباب.

#### 8. اربط مفصلات الباب



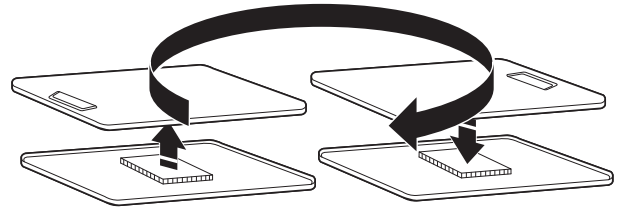
أعد ربط مفصلات الباب بباب المجفف بحيث يكون الثقب الأكبر في أسفل المفصلة.

#### 5. إزالة المسامير من الباب



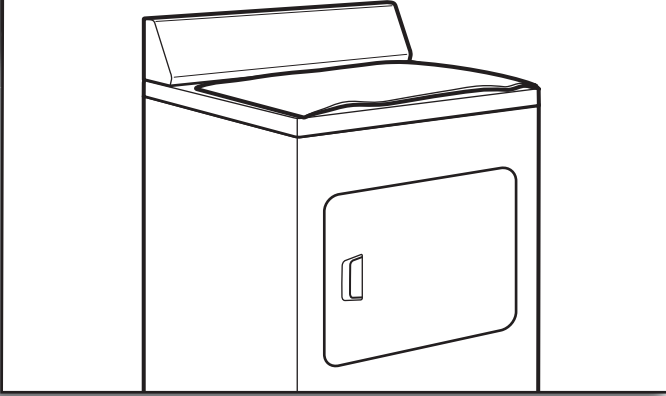
إزالة المسامير من أعلى وأسفل وجانب الباب (4 مسامير). اجعل مسامير الباب منفصلة عن مسامير المفصلات لأن أحجامها مختلفة. وبإمسك الباب على منشفة على المجفف، امسك بإحكام جانبي الباب الخارجي، وارفع لفصله من الباب الداخلي.  
**ملاحظة:** لا تنزع بسكين معجون أو مفك. لا تسحب سداد الباب أو مزالج الباب البلاستيكية.

#### 6. تدوير الباب الخارجي



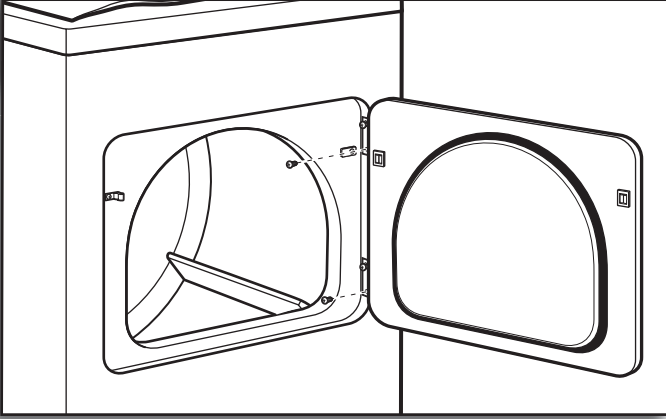
خذ الباب الخارجي ودوره بزاوية 180 درجة وضعه مرة أخرى على الباب الداخلي. تيقن من الإبقاء على المفاصل الكرتون في الوسط بين الأبواب. أعد ربط لوحة الباب الخارجي بلوحة الباب الداخلي حتى يكون المقبض على الجانب الذي تمت إزالة المفصلات منه. أدخل مسامير الباب الأربعة.

### 1. ضع منشفة في المجفف



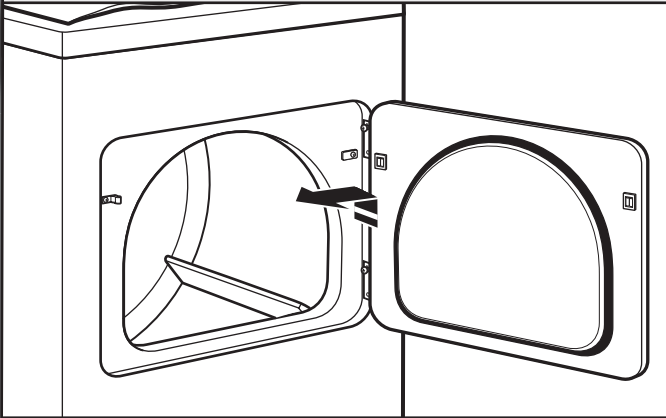
ضع منشفة أعلى المجفف لتجنب إتلاف السطح.

### 2. إزالة المسامير السفلية



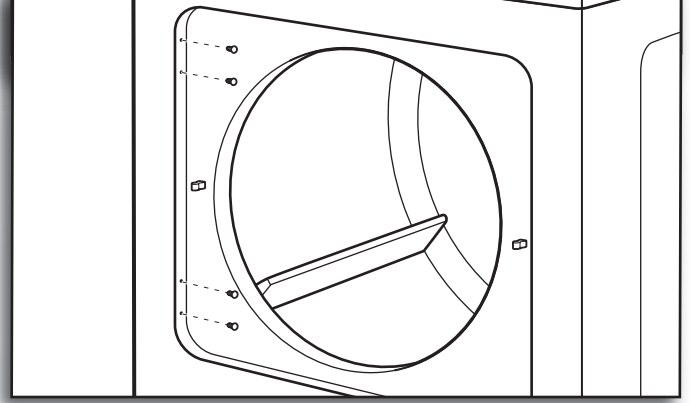
افتح باب المجفف. قم بإزالة المسامير السفلية من جانب كابينة المجفف للمفصلات. قم بفك (لا تزيلها) المسامير العلوية من جانب كابينة المجفف للمفصلات.

### 3. رفع الباب من المسامير العلوية



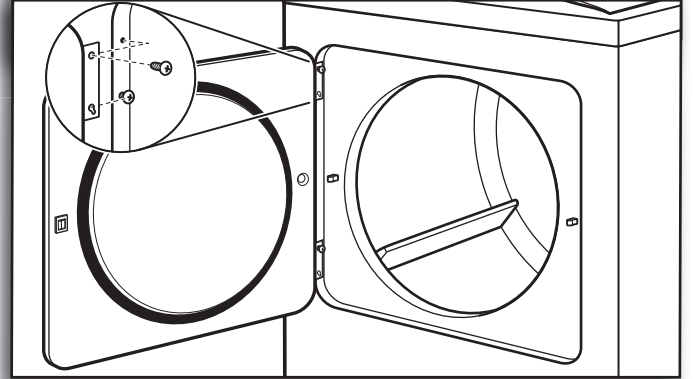
ارفع الباب حتى تكون المسامير العلوية في كابينة المجفف في جزء كبير لشقبة المفصلة. اسحب الباب إلى الأمام من المسامير. ضع الباب (جانب المقبض لأعلى) أعلى المجفف. قم بإزالة المسامير العلوية من كابينة المجفف.

### 4. إزالة ونقل سدادات ثقب المفصلة



استخدم مفك صغير بشفرة مسطحة لتزليل بلطف 4 سدادات ثقب المفصلة على الجانب الأيسر لكابينة المجفف. ادخل السدادات في ثقب المفصلة على الجانب الآخر لكابينة المجفف.

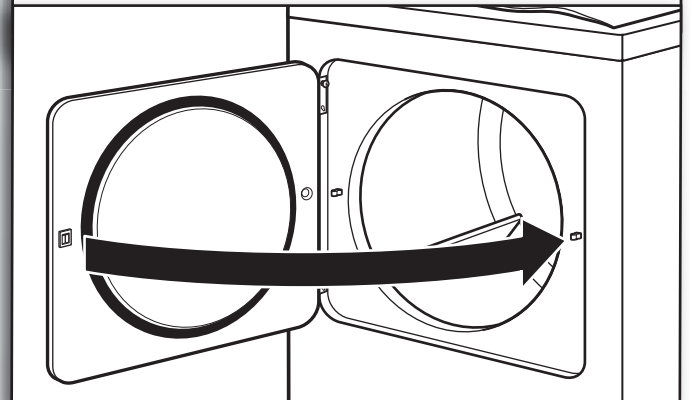
### 5. أدخل المسامير في فتحات المفصلة على كابينة المجفف



**ملاحظة:** ربما تحتاج لشخصين لإعادة تركيب الباب.

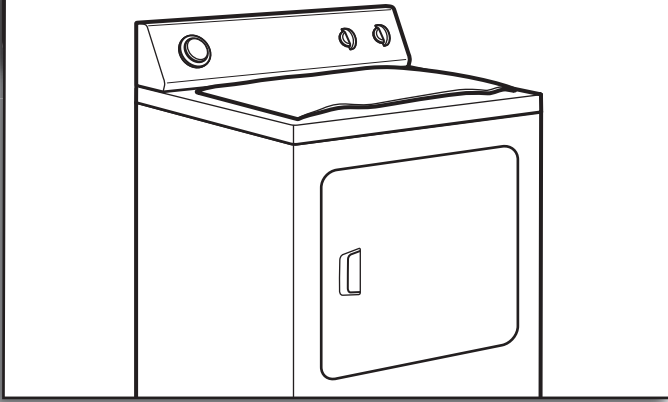
ادخل المسامير في الثقوب السفلية على الجانب الأيسر لكابينة المجفف. اربط المسامير لمنتصف المسافة. ضع الباب حتى يكون الطرف الكبير لشقبة مفصلة الباب على المسامير. قم بزلق الباب لأعلى حتى تكون المسامير في الجزء السفلي للشقوب. أحكم ربط المسامير. أدخل وأحكم ربط المسامير العلوية في المفصلات.

### 6. التحقق من محاذاة عائق الباب



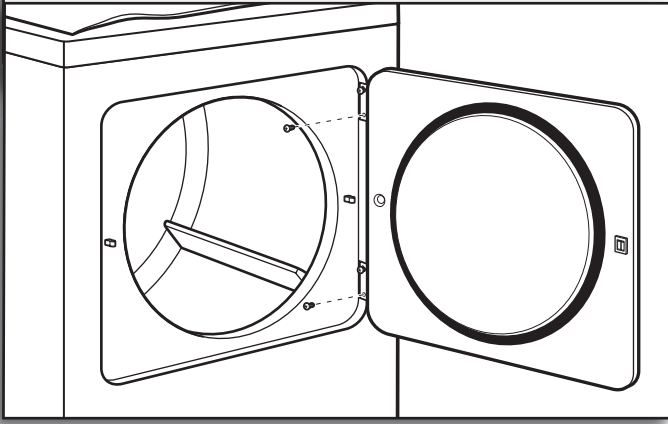
أغلق الباب وتأكد أن عائق الباب يحاذي مزلاج الباب. إذا لزم الأمر، قم بزلق مزلاج الباب إلى اليسار أو اليمين داخل الشقبة لضبط المحاذاة.

## 1. ضع منشفة في المجفف



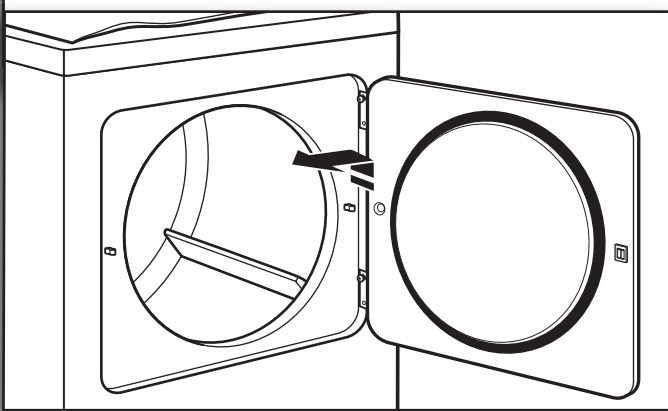
ضع منشفة أعلى المجفف لتجنب إتلاف السطح.

## 2. إزالة المسامير السفلية



افتح باب المجفف. قم بإزالة المسامير السفلية من جانب كابينة المجفف للمفصلات. قم بفك (لا تزيلها) المسامير العلوية من جانب كابينة المجفف للمفصلات.

## 3. رفع الباب من المسامير العلوية



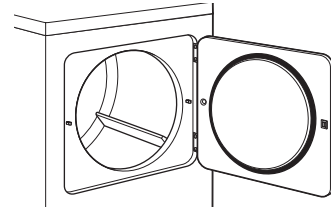
ارفع الباب حتى تكون المسامير العلوية في الكابينة في جزء كبير لشقبة المفصلة. اسحب الباب إلى الأمام من المسامير. ضع الباب أعلى المجفف. قم بإزالة المسامير العلوية من كابينة المجفف.

- ❑ قم بإزالة الغشاء على لوحة التحكم وأية شريط متبقي على المجفف.
- ❑ امسح الجزء الداخلي للمجفف تماماً بقطعة قماش مبللة لإزالة أي غبار.
- ❑ اقرأ "استخدام المجفف" في دليل الاستخدام والعناية الخاص بك.
- ❑ اضبط المجفف على دورة حرارة كاملة (وليس دورة هواء) لمدة 20 دقيقة وأبدأ تشغيل المجفف. (إذا كان لديك مجفف الغاز، فهو مزود بنظام إشعال إلكتروني للشعلة وهي تلقائية بالكامل، ولا يحتاج المستخدم للقيام بأي إجراء آخر (لا يوجد أي مصباح دليلي).
- ❑ إذا لم يبدأ تشغيل مجفف، تحقق مما يلي:
  - وحدات التحكم مضبوطة في وضع التشغيل أو "On".
  - تم دفع زر البدء بإحكام.
  - قابس المجفف موصول بالمنفذ و/أو المصدر الكهربائي في وضع تشغيل.
  - المنصهر المنزلي سليم ومحكم أو قاطع الدائرة غير متعثر.
  - باب المجفف مغلق.

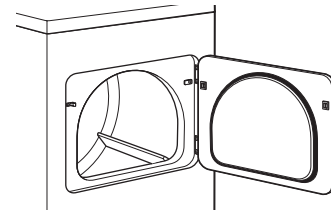
- ❑ عند تشغيل المجفف لمدة 5 دقائق، افتح باب المجفف واستشعر الحرارة. إذا شعرت بالحرارة، قم بإلغاء الدورة وأغلق الباب.
- ❑ إذا لم تشعر بالحرارة، أوقف تشغيل المجفف، وتحقق مما يلي:
  - قد يكون هناك منصهرين منزليين أو قاطعي دائرة للمجفف. تأكد أن كل من المنصهرين سليم ومحكم أو أن كل من قاطعي الدائرة ليس متعثرًا. إذا كان لا يزال هناك أي حرارة، اتصل بفني مؤهل.
- ❑ ملاحظة: قد تلاحظ رائحة عندما يتم تسخين المجفف لأول مرة. وهذه الرائحة اعتيادية عندما يتم استخدام عنصر الحرارة لأول مرة. وسوف تزول الرائحة.

## دوران الباب العكسي (اختياري)

إذا كان بابك باب دوار جانبي كبير 29 بوصة، اتبع الخطوات 1-6.



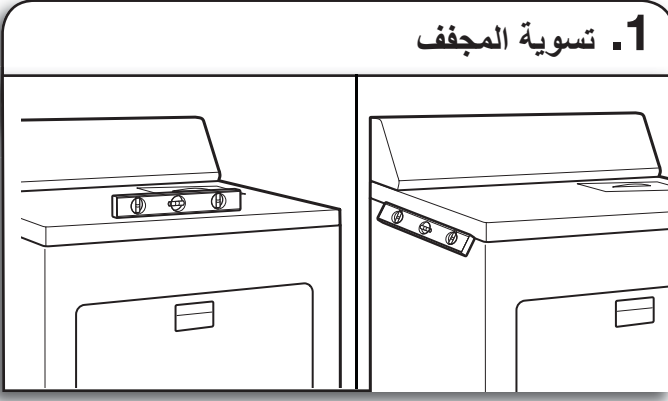
إذا كان بابك باب دوار جانبي فانق العرض 29 بوصة، اتبع الخطوات 1-13 في الصفحة 14.



ملاحظة: المفك الممغنط مفيد.

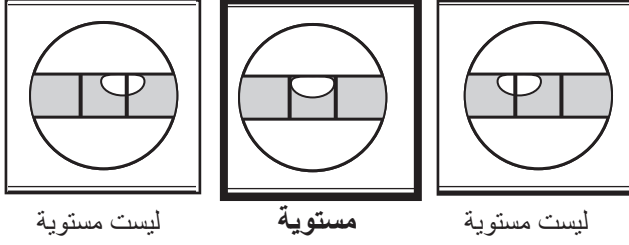
## تسوية المجفف

### 1. تسوية المجفف

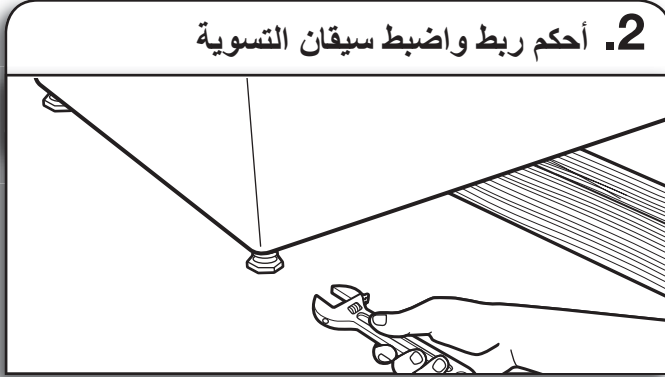


تحقق من استواء المجفف من الجانب إلى الجانب. كرر ذلك من الأمام إلى الخلف.

**ملاحظة:** يجب أن يكون المجفف مستو حتى يعمل نظام استشعار الرطوبة بشكل صحيح.



### 2. أحكم ربط واضبط سيقان التسوية

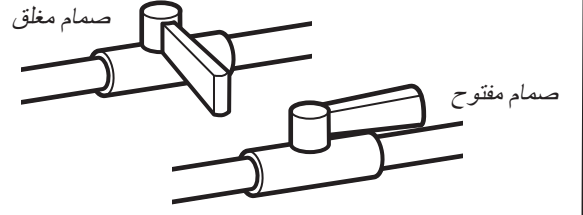


إذا لم يكن المجفف مستو، ادعمه باستخدام كتلة خشبية، واستخدم مفتاح لضبط السيقان لأعلى أو لأسفل، وتحقق مرة أخرى من الاستواء. وحلما تستوي السيقان، تأكد أن كل السيقان الأربعة محكمة على الأرض قبل إحكام ربطها.

### قائمة مراجعة للتركيب الكامل

- تأكد أن جميع القطع مثبتة الآن. إذا كان هناك قطعة إضافية، راجع الخطوات بدقة مرة أخرى لمعرفة ما تم تخطيه.
- تأكد أن لديك كل الأدوات الخاصة بك.
- تخلص من/أعد تدوير جميع مواد التعبئة.
- تأكد من الموقع النهائي للمجفف. تأكد من عدم تحطم أو تعرقل أنبوب التهوية.
- بلانسة لتركيب كبل مصدر القدرة، أدخل القابس في منفذ للقدرة.
- بلانسة لتركيب الأسلاك المباشرة، أدر على وضع تشغيل القدرة.
- تأكد أن المجفف مستو. راجع "تسوية المجفف".

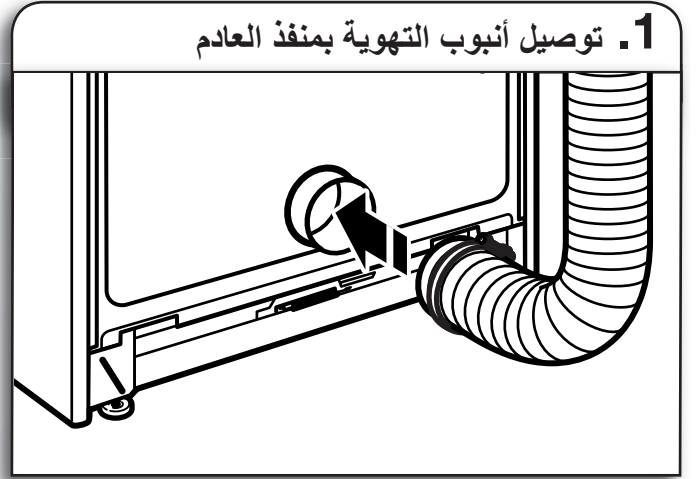
### 3. افتح صمام الإغلاق



افتح صمام الإغلاق في خط الإمداد؛ يكون الصمام مفتوحا عندما يكون المقبض موازيا لأنبوب الغاز، ثم تختبر كافة التوصيلات بفرشاة بمحلول كاشف للتسرب لا يحدث تآكل معتمد. وسوف تظهر الفقاعات التسرب. وقم بتصحيح أية تسريبات موجودة.

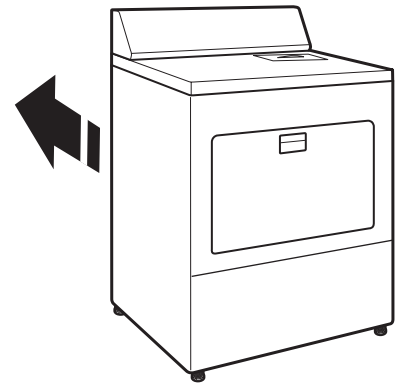
### توصيل التهوية

#### 1. توصيل أنبوب التهوية بمنفذ العادم



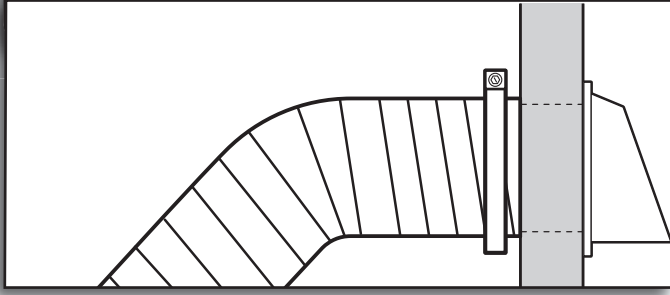
باستخدام مشبك 4 بوصة (102 مم)، قم بتوصيل أنبوب التهوية بمنفذ العادم في المجفف. إذا كنت توصل بأنبوب تهوية موجود، تأكد أن أنبوب التهوية نظيف. يجب أن يتناسب أنبوب التهوية للمجفف مع منفذ العادم للمجفف وداخل غطاء العادم. تأكد أن أنبوب التهوية مربوط بإحكام بغطاء العادم بمشبك 4 بوصة (102 مم).

#### 2. نقل المجفف للموقع النهائي



انقل المجفف للموقع النهائي. تجنب تحطيم أو تععيد أنبوب التهوية. بعدما يصبح المجفف في مكانه، قم بإزالة دعائم الزاوية والكرتون من تحت المجفف.

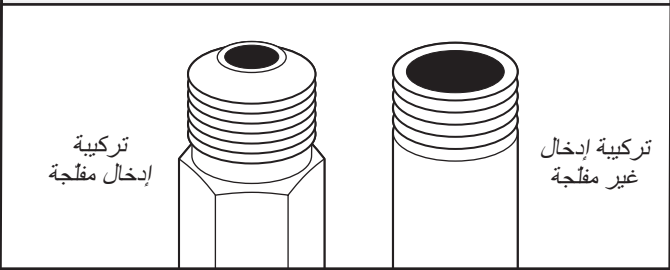
## 2. توصيل أنبوب التهوية بغطاء العادم



يجب أن يتناسب أنبوب التهوية فوق غطاء العادم. أحكم ربط أنبوب التهوية بغطاء العادم بمشبك 4 بوصة (102 مم). قم بمد أنبوب التهوية إلى موقع المجفف باستخدام المسار الأكثر استقامة كلما أمكن. تجنب الحنيات بزواوية 90 درجة. استخدم المشابك لإغلاق جميع المفاصل بإحكام. لا تستخدم شريط لاصق للأنبوب أو مسامير أو غيرها من أجهزة الربط التي تمتد إلى المناطق الداخلية للأنبوب التهوية لربط أنبوب التهوية، لأنها يمكن أن تلتقط النسالة.

## إنشاء توصيل الغاز

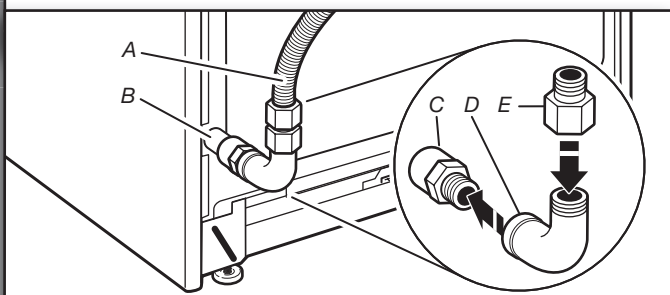
### 1. قم بتوصيل إمداد الغاز إلى المجفف



انزع الغطاء الأحمر من أنبوب الغاز. وباستخدام مفتاح أحكم الربط، وقم بتوصيل إمداد الغاز إلى المجفف. استخدم مركب الوصلات الأنبوبية على أسنان اللولب لكافة التركيبات غير المفلجة. إذا تم استخدام أنابيب معدنية مرنة، تأكد من عدم وجود التواءات.

**ملاحظة:** بلانسية لوصلات الغاز النفطي المسال، يجب استخدام مركب الوصلات الأنبوبية مقاوم لعمل الغاز النفطي المسال. لا تستخدم شريط تفلون®+.

### 2. مخطط توصيل تركيبات الأنابيب



A. وصلة غاز مرنة 3/8 بوصة  
B. أنبوب مجفف 3/8 بوصة  
C. تركيبية مهائى مفلج 3/8 بوصة  
D. كوع أنبوبي 3/8 بوصة إلى 3/8 بوصة  
E. تركيبية مهائى أنبوب إلى شعلة 3/8 بوصة

يجب استخدام مجموعة تركيبات توصيل الأنابيب لتوصيل المجفف إلى خط الغاز الموجود. يرجى اتباع الشكل الموضح للتوصيل. وقد يكون

## تحديد طول أنبوب التهوية والأكواع اللازمة للحصول على أفضل أداء للتجفيف:

- استخدم مخطط نظام أنابيب التهوية التالي لتحديد نوع مادة أنبوب التهوية وتركيبات الأغطية المقبولة للاستخدام.
- **ملاحظة:** لا تستخدم أنبوب تهوية أطول من المحددة في مخطط نظام أنابيب التهوية. أنظمة تهوية العادم الأطول من المحددة سوف:
  - تقلل حياة المجفف.
  - تخفض مستوى الأداء، مما يؤدي إلى أوقات تجفيف أطول وزيادة في استهلاك الطاقة.

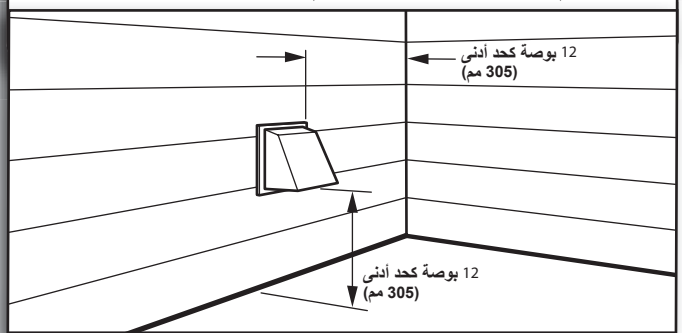
يوفر مخطط نظام أنابيب التهوية متطلبات التهوية التي من شأنها أن تساعد على تحقيق أفضل أداء للتجفيف.

### مخطط نظام أنابيب التهوية

عدد الحنيات أو الأكواع بزواوية 90 درجة	نوع أنبوب التهوية	الأغطية الزاوية	الأغطية الصندوقية/ذات شقوق التهوية
0	معدني صلب	64 قدم (20 متر)	58 قدم (17.7 متر)
1	معدني صلب	54 قدم (16.5 متر)	48 قدم (14.6 متر)
2	معدني صلب	44 قدم (13.4 متر)	38 قدم (11.6 متر)
3	معدني صلب	35 قدم (10.7 متر)	29 قدم (8.8 متر)
4	معدني صلب	27 قدم (8.2 متر)	21 قدم (6.4 متر)

## تركيب نظام التهوية

### 1. قم بتركيب غطاء العادم

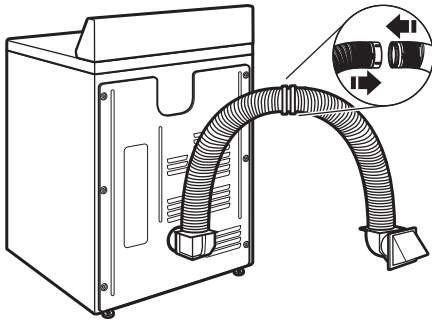


قم بتهيئة محرك العادم واستخدام مركب جلفطة لسد فتحة الجدار الخارجي حول غطاء العادم.

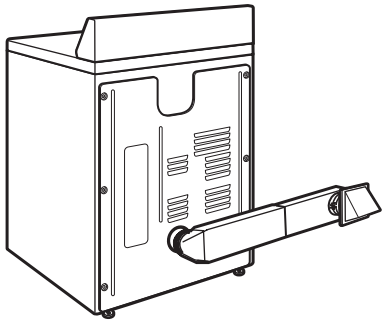
## خطة نظام التهوية

### تركيبات العادم الموصى بها

تنفس التركيبات النموذجية عن المجفف من الجزء الخلفي للمجفف.  
والتركيبات الأخرى ممكنة.



تركيب بعيد عن المعتاد (تتوفر أيضا مع كوع إزاحة)



تركيب بيريسكوبي

**ملاحظة:** الأطقم التالية للتركيبات البديلة للخلوصات الضيقة متوفرة للشراء.  
من أجل الطلب، يرجى الاتصال بالموزع الذي اشترت منه المجفف أو  
شركة الخدمة المعتمدة.

#### ■ التركيب البعيد عن المعتاد:

رقم القطعة 4396028

■ التركيب البيريسكوبي (للاستخدام مع أنبوب التهوية للمجفف لعدم تطابق الجدار مع أنبوب التهوية):

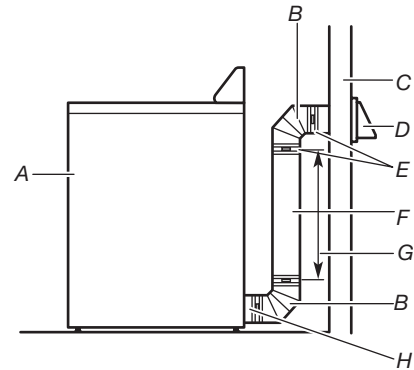
رقم القطعة 4396037 - عدم تطابق 0 بوصة (0 مم) إلى 18 بوصة (457.2 مم)

رقم القطعة 4396011 - عدم تطابق 18 بوصة (457.2 مم) إلى 29 بوصة (736.6 مم)

رقم القطعة 4396014 - عدم تطابق 29 بوصة (736.6 مم) إلى 50 بوصة (1270 مم)

#### ■ تحديد مسار أنبوب التهوية:

- حدد طريقا يوفر مسارا أكثر استقامة ومباشرة في الهواء الطلق.
- خطط التركيب لاستخدام أقل عدد من الأكواع والحنيات.
- عند استخدام أكواع أو صنع حنيات، اترك مساحة أكبر قدر ممكن.
- أحن أنبوب التهوية تدريجيا لتجنب التجمع.
- استخدم أقل حنيات بزوايا 90 درجة كلما أمكن.



A. المجفف  
B. الكوع  
C. الجدار  
D. غطاء العادم  
E. المشابك  
F. أنبوب تهوية معدني صلب أو معدني مرن  
G. طول أنبوب التهوية اللازم لتوصيل الأكواع  
H. منفذ العادم

## تحذير



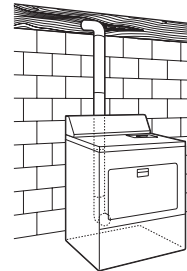
### خطر نشوب الحريق

تغطية ثقوب العادم غير المستخدمة بطقم غطاء العادم للشركة  
المصنعة.

اتصل بموزعك المحلي.

يمكن أن يؤدي عدم اتباع هذه الإرشادات إلى الوفاة أو الحريق أو  
الصدمة الكهربائية أو الإصابة البالغة.

تركيب قياسي لنظام العادم بأنبوب معدني صلب أو مرن



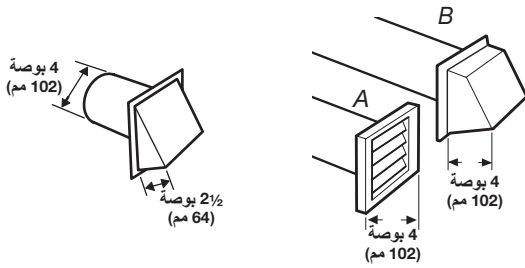


# التهوية

## متطلبات التهوية

### أغطية العادم:

- يجب أن تكون على الأقل 12 بوصة (305 مم) من سطح الأرض أو أي جسم يمكن أن يعوق العادم (مثل الأزهار أو الصخور أو الشجيرات أو الثلج).

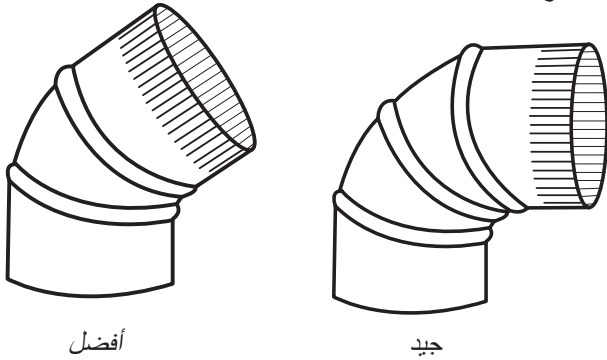


أنماط مقبولة:  
C. زاوية

أنماط الموصى بها:  
A. غطاء ذات شقوق تهوية  
B. غطاء صندوقي

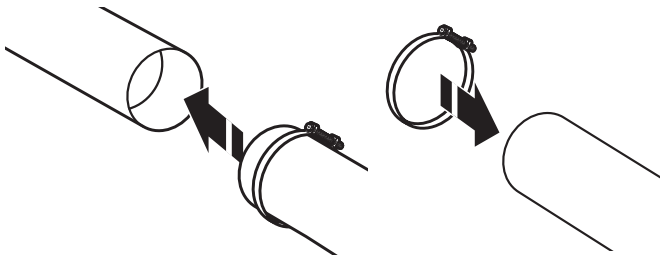
### الأنواع:

- توفر الأنواع بزواوية 45 درجة تدفق هواء أفضل من الأنواع بزواوية 90 درجة.



### المشابك:

- استخدم المشابك لإغلاق جميع المفاصل بإحكام.
- يجب عدم توصيل أو تأمين أنبوب تهوية العادم بمسامير أو أجهزة ربط أخرى تمتد إلى داخل الأنبوب وتمسك بالنسالة. لا تستخدم شريط للأنبوب.



يمكن أن يجعل سوء التهوية الرطوبة والنسالة أن تتجمع داخل المنزل، الأمر الذي قد يؤدي إلى:

- إضرار الرطوبة بأشغال الخشب والأثاث والطلاء وورق الجدران والسجاد وغيرها.
- مشاكل في تنظيف المنزل والمشاكل الصحية.

## تحذير



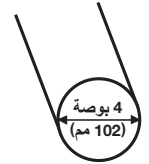
### خطر نشوب الحريق

- استخدم منفذ تهوية معدني ثقيل.
- لا تستخدم منفذ تهوية من البلاستيك.
- لا تستخدم منفذ تهوية من رقيقة معدنية.
- يمكن أن يؤدي عدم اتباع هذه الإرشادات إلى الوفاة أو الحريق.

- **تحذير:** للحد من خطر الحريق، يجب إفراغ هذه المجفف في الهواء الطلق.
- **ملحوظة مهمة:** يجب مراعاة جميع القوانين والقرارات الرسمية الحاكمة.

لا يجب توصيل عادم المجفف بأي أنبوب تهوية للغاز أو مدخنة أو جدار أو سقف أو عليّة المنزل أو حجر، أو مساحة خفية للمبنى. ولا يستخدم إلا أنبوب معدني صلب أو مرن لإخراج العادم.

- قد لا يستخدم إلا أنبوب تهوية للعادم معدني ثقيل 4 بوصة (102 مم) والمشابك.
- لا تستخدم أنبوب تهوية من الرقاقة المعدنية أو البلاستيك.



### أنبوب التهوية المعدني الصلب:

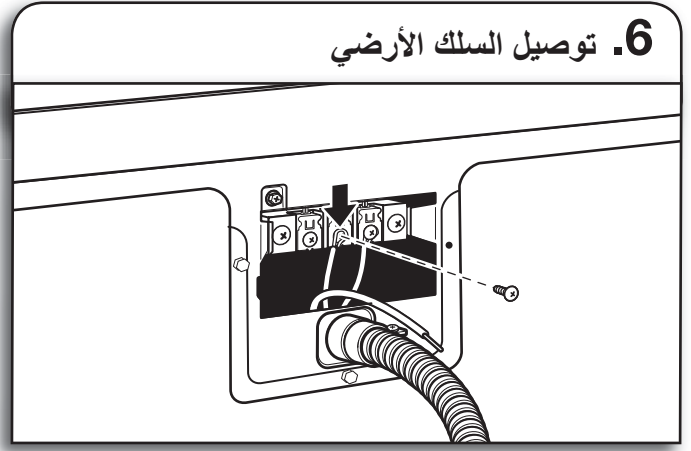
- يوصى به لأفضل أداء تجفيف ولتجنب التخطم والتعرق.

### أنبوب التهوية المعدني المرن: (مقبول فقط إذا كان سهل الوصول للتنظيف)

- يجب مده بالكامل ودعمه في الموقع النهائي للمجفف.
- قم بإزالة الزيادة لتجنب التمدد والتجمع الذي قد يؤدي إلى انخفاض تدفق الهواء وسوء الأداء.
- لا تقم بالتركيب في الجدران المغلقة أو السقوف أو الأرضيات.
- يجب ألا يتجاوز الطول الإجمالي 7<sup>3</sup>/<sub>4</sub> قدم (2.4 متر).

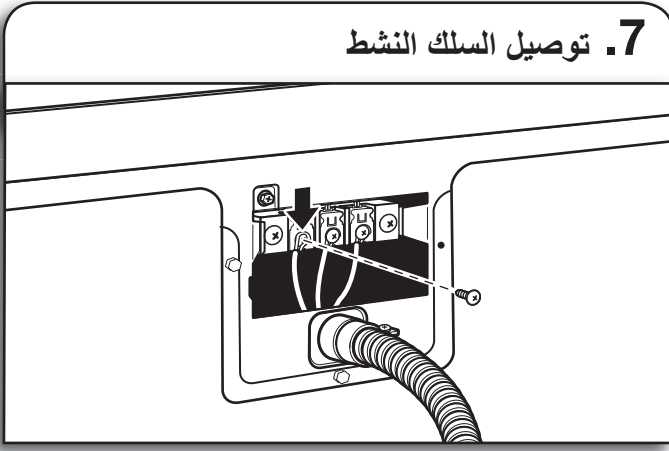
**ملاحظة:** إذا كنت تستخدم نظام تهوية حالي، نظف النسالة من كامل امتداد النظام وتأكد أن غطاء العادم غير مسدود بالنسالة. واستبدال أنابيب التهوية البلاستيك أو المعدني الرقيق بأنابيب تهوية معدنية صلبة أو معدنية مرنة. واستعرض مخطط نظام أنابيب التهوية وإذا لزم الأمر، قم بتعديل نظام التهوية الحالي لتحقيق أفضل أداء للتجفيف.

## 6. توصيل السلك الأرضي



ضع الطرف الخطافي للسلك الأرضي لكبل مصدر القدرة تحت مسمار محطة موصل الكابلات الأوسط (الخطاف يواجه اليمين). اضغط الطرف الخطافي في نفس الوقت وأحكام ربط المسمار.

## 7. توصيل السلك النشط



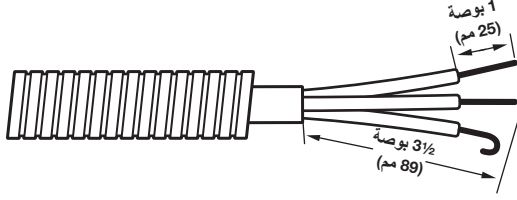
ضع الطرف الخطافي للسلك النشط (بني اللون) لكبل مصدر القدرة تحت مسمار محطة موصل الكابلات الأيسر (الخطاف يواجه اليمين). اضغط الطرف الخطافي في نفس الوقت. أحكام ربط المسمار ومسار مخفف التوتر.

أخيرا أعد إدخال لسان غطاء محطة توصيل الكابلات شقبة اللوحة الخلفية للمجفف. أحكام الغطاء بمسار الربط. الآن، انتقل إلى "متطلبات التهوية".

### توصيل السلك المباشر

استخدمه حيث تسمح القوانين المحلية بتوصيل الموصل الأرضي للكابينة بالسلك المحايد.

#### 3. إعداد كبل 3 أسلاك للتوصيلة المباشرة



يجب أن يكون بكبل السلك المباشر طول إضافي 5 قدم (1.52 متر) حتى يمكن نقل المجفف إذا لزم الأمر.

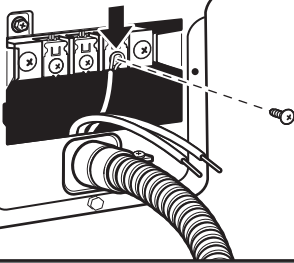
قم بتعريّة التغطية الخارجية 3/2 بوصة (89 مم) من نهاية الكبل. قم بتعريّة العزل مرة أخرى بوصة واحدة (25 مم). إذا كنت تستخدم كبل 3 أسلاك بسلك أرضي، اقطع السلك العاري بطريقة متساوية مع التغطية الخارجية. شكل نهايات السلك على هيئة خطاف.

#### 4. توصيل الأسلاك بمحطة موصل الكابلات



لتوصيل الأسلاك بمحطة موصل الكابلات، ضع الطرف الخطافي للسلك تحت مسمار محطة موصل الكابلات المواجه لليمين، اضغط الطرف الخطافي في نفس الوقت، وأحكام تثبيت المسمار.

#### 5. توصيل السلك المحايد



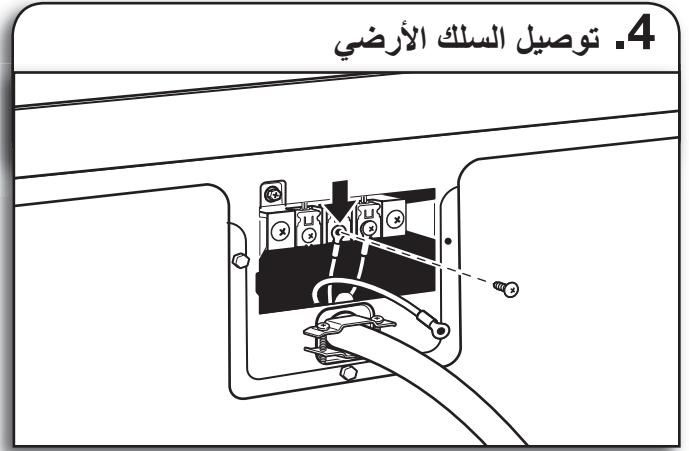
ضع الطرف الخطافي للسلك المحايد (أزرق اللون) لكبل مصدر القدرة تحت المسمار الأيمن لمحطة موصل الكابلات (الخطاف يواجه اليمين). اضغط الطرف الخطافي في نفس الوقت. أحكام ربط المسمار.

#### 3. توصيل السلك المحايد



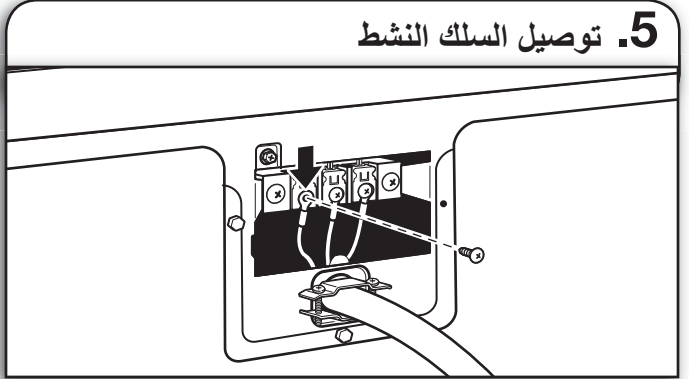
قم بتوصيل السلك المحايد (أزرق اللون) لكبل مصدر القدرة بمسمار المحطة الأيمن لمحطة موصل الكابلات. أحكام ربط المسمار.

#### 4. توصيل السلك الأرضي



قم بتوصيل السلك الأرضي بوسط المحطة. أحكام ربط المسمار.

#### 5. توصيل السلك النشط



قم بتوصيل السلك النشط (بني اللون) ببسار المحطة. أحكام ربط المسمار ومسامير مخفف التوتر.

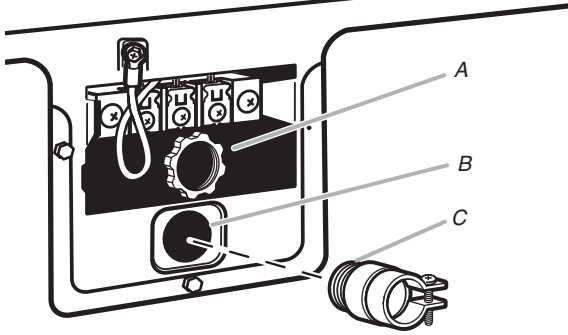
أخيرا أعد إدخال لسان غطاء محطة توصيل الكابلات شقّب اللوحة الخلفية للمجفف. أحكام الغطاء بمسمار الربط. الآن، انتقل إلى "متطلبات التهوية".

## تركيب مخفف التوتر

مخفف توتر كبل مصدر القدرة

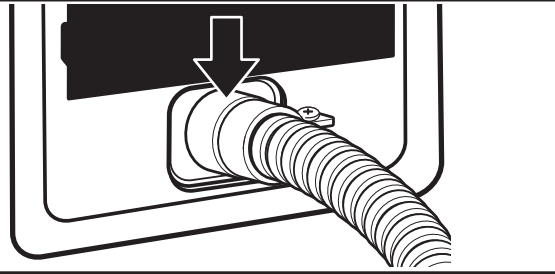
مخفف توتر الأسلاك المباشرة

### 1. ربط مخفف توتر الأسلاك المباشرة



قم بفك موصل القناة القابلة للإزالة (A) وأي مسامير من مخفف التوتر المسجل 3/4 بوصة (19 مم) UL (علامة UL على مخفف التوتر). وضع القسم الملولب لمخفف التوتر عبر الثقب (B) أسفل فتحة محطة موصل الكابلات. وعند الوصول إلى داخل محطة موصل الكابلات، اربط موصل القناة القابلة للإزالة على حزوز مخفف التوتر (C).

### 2. ربط كبل الأسلاك المباشرة بمخفف التوتر



ضع كبل الأسلاك المباشرة عبر مخفف التوتر. يجب أن يناسب مخفف التوتر كابينة المجفف بإحكام ويكون في وضع أفقي. أحكم ربط مسامير مخفف التوتر.

انتقل إلى "توصيل السلك المباشر".

### توصيل كبل مصدر القدرة

استخدمه حيث تسمح القوانين المحلية بتوصيل الموصل الأرضي للكابينة بالسلك المحايد.



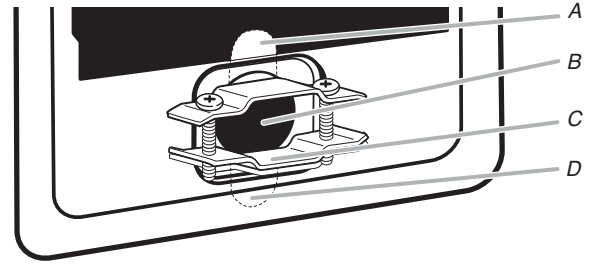
B

A

A. طرف مسحاتي بنهايات مقلوبة

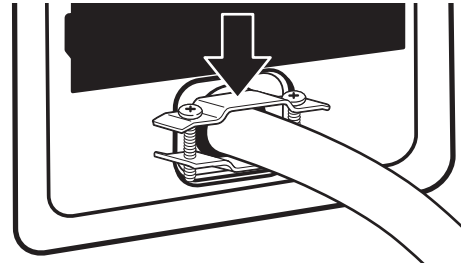
B. مخفف توتر مسجل 3/4 بوصة UL بوضعية (19 مم) مع أطراف حلقيّة

### 1. ربط مخفف توتر كبل مصدر القدرة



قم بإزالة المسامير من مخفف التوتر المسجل 3/4 بوصة (19 مم) UL (علامة UL على مخفف التوتر). وضع عروتي قسيمي المشبك (C) في الثقب (B) أسفل فتحة محطة موصل الكابلات بحيث تشير عروة إلى أعلى (A) والأخرى تشير إلى أسفل (D) وأحكام المسك في المكان. أحكم ربط مسامير مخفف التوتر بما يكفي لإحكام قسيمي المشبك (C) معا.

### 2. ربط كبل مصدر القدرة بمخفف التوتر



ضع كبل مصدر القدرة عبر مخفف التوتر. تأكد أن عزل أسلاك كبل مصدر القدرة داخل مخفف التوتر. يجب أن يناسب مخفف التوتر كابينة المجفف بإحكام ويكون في وضع أفقي. ولا تحكم ربط مسامير مخفف التوتر أكثر من ذلك عند هذه النقطة.

انتقل إلى "توصيل كبل مصدر القدرة".

## ⚠ تحذير



## خطر نشوب الحريق

استخدم سلك نحاس صلب عيار 10.  
استخدم مخفف التوتر المسجل UL.  
أقطع القدرة قبل إجراء التوصيلات الكهربائية.  
يجب توصيل سلك محايد (أزرق) بلاطرف الأيمن.  
يجب توصيل سلك تأريض بلاطرف الأوسط.  
يجب توصيل سلك نشك (بني) بلاطرف الأيسر.  
اربط بإحكام جميع التوصيلات الكهربائية.  
يمكن أن يؤدي عدم القيام بذلك إلى الوفاة أو الحريق أو الصدمة الكهربائية.

## ⚠ تحذير

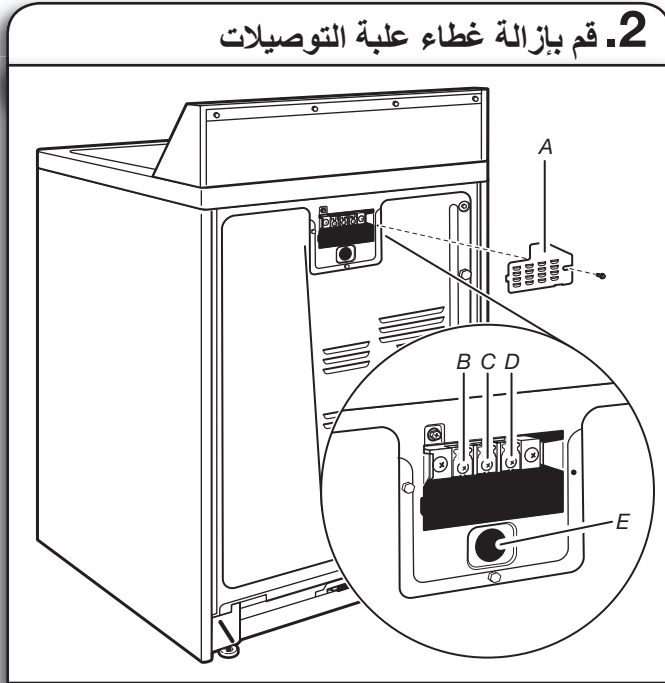


## خطر نشوب الحريق

استخدم كبل مصدر القدرة 30 أمبير المسجل UL الجديد.  
استخدم مخفف التوتر المسجل UL.  
أقطع القدرة قبل إجراء التوصيلات الكهربائية.  
يجب توصيل سلك محايد (أزرق) بلاطرف الأيمن.  
يجب توصيل سلك تأريض بلاطرف الأوسط.  
يجب توصيل سلك نشك (بني) بلاطرف الأيسر.  
اربط بإحكام جميع التوصيلات الكهربائية.  
يمكن أن يؤدي عدم القيام بذلك إلى الوفاة أو الحريق أو الصدمة الكهربائية.

## خيارات التوصيل الكهربائي

## 2. قم بإزالة غطاء علبة التوصيلات



قبل أن تبدأ، افصل التيار الكهربائي. قم بإزالة غطاء علبة التوصيلات (A).

- A. غطاء علبة التوصيلات
- B. المسمار اللولبي الذي به تيار كهربائي
- C. المسمار اللولبي الأرضي
- D. المسمار اللولبي المحايد
- E. فتحة خفض الجهد

## 1. قم باختيار نوع التوصيلة الكهربائية

كبل مصدر القدرة (NEMA نوع 10-30R): انتقل إلى الخطوتين 1-2 في الصفحة 9 لمخفف توتر كبل مصدر القدرة: ثم الخطوات 3-5 لقسم "توصيل كبل مصدر القدرة". ثم راجع "متطلبات التهوية".



توصيل السلك المباشر: انتقل إلى الخطوتين 1-2 في الصفحة 9 لمخفف توتر الأسلاك المباشرة: ثم الخطوات 3-7 لقسم "توصيل الأسلاك المباشرة". ثم انتقل إلى "متطلبات التهوية".



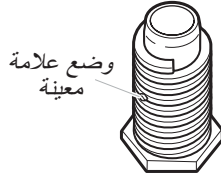
**ملاحظة:** إذا لم تسمح القوانين المحلية بتوصيل الموصل الأرضي بلاسلك المحايد، انتقل إلى قسم "الأسلاك المباشرة". وقد تستخدم هذه التوصيلة إما مع كبل مصدر القدرة أو توصيل الأسلاك المباشر.

### ⚠ تحذير

خطر الوزن الزائد

استعن بشخصين أو أكثر لنقل وتركيب المجفف.  
قد يؤدي عدم القيام بذلك إلى الإصابة بآلام الظهر أو غيرها من الإصابات.

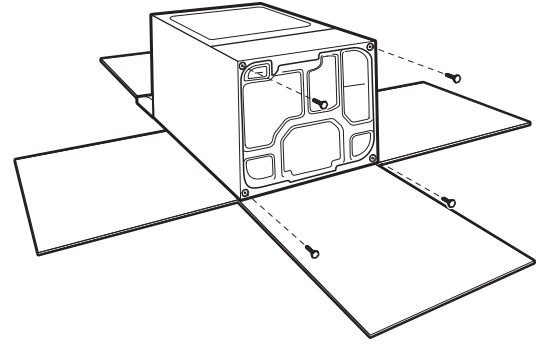
## 2. اربط سيقان الاستواء



افحص سيقان الاستواء، واعثر على علامة المُعين. اربط السيقان في الثقوب المخصصة، واستخدام مفتاح لإنهاء تدوير السيقان حتى تختفي علامة المُعين تماما.

أوقف الآن المجفف على أقدامه. وقم بزلق المجفف حتى يقترب من موقعه النهائي. واترك مساحة كافية للتوصيل الكهربائي ولتوصيل أنبوب تهوية العادم.

## 1. أعد المجفف لسيقان التسوية



لتجنب إلحاق الضرر بالأرضية، استخدم قطعة مسطحة كبيرة من الورق المقوى من كرتون المجفف؛ ضعها تحت كامل الحافة الخلفية للمجفف. امسك بإحكام جسم المجفف (وليس لوحة التحكم) وضع بلطف المجفف على الورق المقوى.

## التوصيل عن طريق السلك المباشر:

يجب أن يوافق كبل مصدر القدرة مصدر القدرة ذاتها ويكون:

- كبل مدرع مرن أو كبل نحاس مغلفة غير معدني (بسلك أرضي)، مغطى بفتاة معدنية مرنة. يجب أن تكون جميع الأسلاك الحاملة للتيار معزولة.
- أسلاك نحاس صلبة عيار 10 (لا تستخدم الألمونيوم).
- لا يقل الطول عن 5 قدم (1.52 متر).

## الغاز الطبيعي:

هذا المجفف مضبوط في المصنع للاستخدام مع الغاز الطبيعي (G20)، وليس هناك حاجة إلى مزيد من التعديل عند التركيب.

## الغاز النفطي المسال:

هذا المجفف معتمد أيضا للاستخدام مع غازات النفط المسال (البروبان أو البوتان) مع التحويل المناسب. لا تحاول القيام بتحويل الجهاز من الغاز المحدد في لوحة تصنيف الطراز/التسلسل للاستخدام مع غاز مختلف دون استشارة مورد الغاز.

يجب أن يقوم بالتحويل فني صيانة مؤهل.

أطقم تحويل الغاز متاحة للشراء من موزعك. التعليمات الكاملة متوفرة مع الطقم.

## متطلبات أنبوب الإمداد

توفير أنبوب إمداد للغاز صلب إلى موقع المجفف. وينبغي أن يكون معرف حد أدنى 12.5 مم (1/2 بوصة). عند قبول مورد الغاز والقوانين المحلية، قد يتم استخدام أنبوب إمداد صلب قطر داخلي 10 مم (3/8 بوصة) للأطوال دون 6.1 متر (20 بوصة). ويجب استخدام مقاوم مركب وصل للأنايبب لإجراء النفط المسال.

ينبغي أن يتم توصيل الغاز بالمجفف نفسه عن طريق خرطوم غاز مرن مناسبة لفئة الأجهزة والغاز وفقا للوائح التركيب الوطنية. إذا كنت في شك، اتصل بمورد للغاز. يجب أن يكون الحد الأدنى للقطر الداخلي 10 مم (3/8 بوصة).

ويجب استخدام وسيلة تقييد بين الجهاز والجار لمنع الشد في أنبوب الغاز الصلب عند نقل الجهاز. ويوصى بطول مناسبة للسلسلة وخطاف الجدار.

توصيلة مدخل الغاز للمجفف هي لولبية 10 مم (3/8 بوصة) حسب لولبية الأنايبب الوطنية NPT. يتم توفير مهايئ للتحويل لمعيار ISO.228-1 لولبية 10 مم (3/8 بوصة الأنايبب القياسية البريطانية BSP).

تحقق من وجود تسرب باستخدام حل لاكتشاف غير قابل للتآكل معتمد. سوف تظهر الفقاعات التسرب. قم بتصحيح أي يتم العثور عليه. توجد لولبية قياس للضغط على صمام الغاز داخل المجفف، ويمكن الوصول إليها بعد إزالة اللوحة الأمامية السفلى.

يجب فصل المجفف من نظام أنابيب إمداد الغاز أثناء أي اختبار للضغط لهذا النظام.

## إرشادات التأريض

■ بالنسبة لمجفف متصل بكبل مؤرض:

يجب تأريض هذا المجفف. في حال حدوث خلل أو تعطل، يقلل التأريض من خطر حدوث صدمة كهربائية من خلال توفير مسار لمقاومة أقل للتيار الكهربائي. ويجب توصيل القابس بمنفذ مناسب مركب بشكل صحيح ومؤرض وفقا لجميع القوانين والقرارات الرسمية المحلية.

**تحذير:** يمكن أن يؤدي التوصيل الخاطئ لموصل التأريض للمعدات إلى خطر التعرض لصدمة كهربائية. تحقق مع متخصص كهرباء مؤهل أو ممثل أو موظفي الخدمة إذا كنت في شك بشأن تأريض المجفف بشكل صحيح. لا تقم بتعديل القابس المرفق مع المجفف: إذا كان لا يلاءم مأخذ التيار، قم بتركيب مأخذ تيار مناسب عن طريق فني كهرباء مؤهل.

## يرجى الاحتفاظ بهذه الإرشادات

## متطلبات الغاز

## تحذير



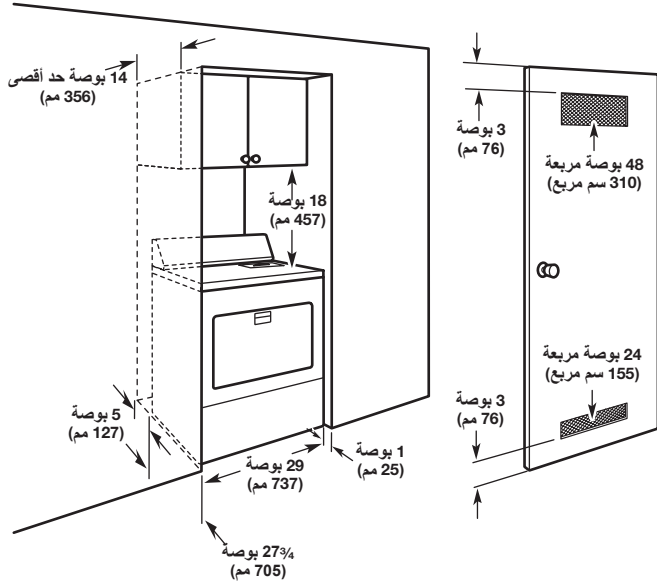
## خطر الانفجار

استخدم أنبوب إمداد غاز جديد معتمد من CSA الدولية.  
ثبت صمام الإغلاق.  
اربط بإحكام جميع توصيلات الغاز.  
إذا كنت متصلا بالنفط المسال، عليك بشخص مؤهل للتأكد أن ضغط الغاز لا يتجاوز 330 مم (13 بوصة) عمود الماء.  
تشمل أمثلة الشخص المؤهل:  
أفراد نظم التدفئة المرخصين،  
أفراد شركة الغاز المفوضين، و  
أفراد الخدمة المفوضين  
يمكن أن يؤدي عدم القيام بذلك إلى الوفاة أو الانفجار أو الحريق.

يجب مراعاة جميع القوانين والقرارات الرسمية الحاكمة.

إمداد الغاز:

تأكد أن المجفف مجهز بالشعلة الصحيحة للنوع الخاص بإمدادات الغاز. تجد معلومات الشعلة في الموقد لوحة الطراز/التسلسل في باب المجفف. إذا كانت هذه المعلومات لا تتفق مع نوع من الغاز المتاح، ارجع للموزع.



A. مساحة غائرة  
B. مشهد جانبي - الخزانة أو المساحة المحصورة  
C. باب الخزانة بفتحات التهوية

\* يوصى بمباعدة إضافية

## المتطلبات الكهربائية

مسؤوليتك أن:

- تتصل بمتخصص تركيب كهربائي مؤهل.
- تتأكد أن التوصيل الكهربائي كاف ومتوافق مع جميع القوانين والقرارات الرسمية المحلية.
- توفر مصدر كهربائي لتيار متردد 3 أحادي الطور 230 فولت 60 هرتز فقط على دائرة كهربائية 30 أمبير منفصلة (دائرة 15 أو 20 أمبير لمجففات الغاز)، مندمجة على جانبي الخط. ويوصى باستخدام بمنصهر إعاقه زمنية أو قاطع دائرة. اتصل بدائرة فرعية فردية. ولا يكن لديك منصهر في الدائرة المحايدة أو دائرة التأريض.
- لا تستخدم كبل إطالة.
- يوصى أن يحدد فني كهرباء مؤهل مدى ملائمة المسار الأرضي إذا كانت القوانين تسمح بذلك ويتم استخدام سلك أرضي منفصل.

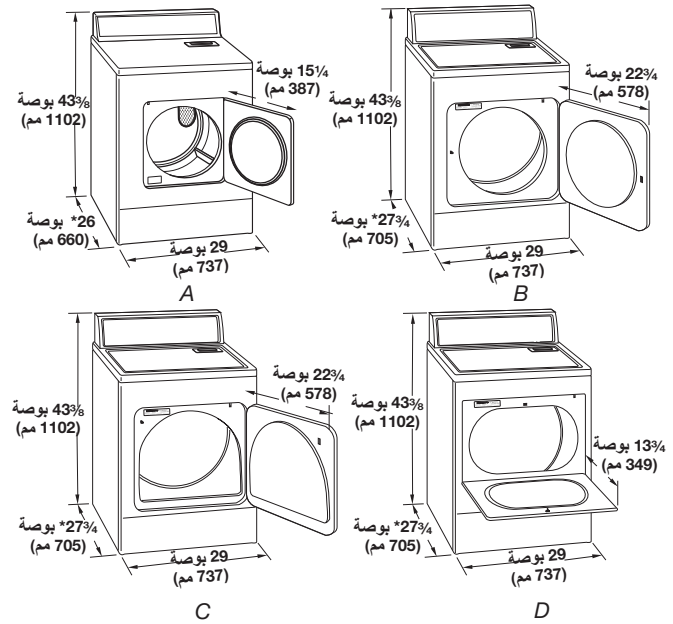
## الاتصال الكهربائي

تركيب مجففك بشكل صحيح، يجب تحديد نوع التوصيل الكهربائي الذي سوف تستخدمه واتبع الإرشادات المنصوص عليها الخاصة به هنا.

### إذا باستخدام كبل التيار الكهربائي:

استخدم طقم كبل مصدر القدرة UL المسجل المؤشر عليه للاستخدام مع مجففات الملابس. ويجب أن يحتوي الطقم على:

- كبل مصدر قدرة 30 أمبير المسجل UL حد أدنى مقدر 230 فولت. ويجب أن يكون نوع الكبل SRD أو SRDT وطوله لا يقل عن 4 قدم (1.22 متر). يجب أن تنتهي الأسلاك التي تتصل بالمجفف بأطراف حلقية أو أطراف مسحاتية بنهايات مقلوبة.
- مخفف التوتر المسجل UL.



A. باب دوار جانبي بكوة صغيرة  
B. باب دوار جانبي بكوة كبيرة  
C. باب دوار جانبي بكوة عريضة  
D. باب دوار اعترض بكوة عريضة

\* تتطلب معظم التركيبات حد أدنى 5 بوصة (127 مم) خلوص وراء المجفف لأنبوب تهوية العادم مع الكوع. راجع "متطلبات التهوية".

## الحد الأدنى للمباعدة للمساحة الغائرة أو التركيب في خزانة

الأبعاد التالية الموضحة التالية هي الحد الأدنى للمباعدة المسموح به.

- وينبغي أن توضع المباعدة الإضافية في الاعتبار لسهولة التركيب والصيانة.
- قد تكون هناك حاجة لخلوصات إضافية بالنسبة للجدار والباب وقوالب الأرضية.
- يوصى بمباعدة إضافية بوصة واحدة (25 مم) على جميع جوانب المجفف للحد من انتقال الضوضاء.
- بالنسبة للتركيب في الخزانة، مع الباب، مطلوب الحد الأدنى لفتحات التهوية أعلى وأسفل الباب. والأبواب ذات الشقوق بفتحات التهوية المعادلة مقبولة.
- وينبغي أيضا أخذ مباعدة الأجهزة المصاحبة بعين الاعتبار.



## متطلبات الموقع

### ستحتاج إلى:

- موقع يسمح بتركيب السليم فتحة العادم. راجع "متطلبات التهوية".
- دائرة 30 أمبير منفصلة.
- إذا كنت تستخدم كبل لمصدر القدرة، تحتاج منفذا كهربائيا مؤرضا يقع في حدود 2 قدم (610 مم) لأي من جانبي المجفف. راجع "المتطلبات الكهربائية".
- أرضية متينة لاحتمال الوزن الإجمالي (المجفف والحمولة) من 200 رطل. (90.7 كجم) وينبغي أيضا الوضع في الاعتبار الوزن المجمع للأجهزة المرافقة.
- أرضية مستوية بحد أقصى لانحدار بوصة واحدة (25 مم) تحت كامل المجفف. (إذا كان الانحدار أكبر من بوصة واحدة (25 مم)، قم بتركيب طقم أقدام المجفف الممتدة، رقم القطعة 279810). إذا لم يتم الاستواء، قد لا تنقلب الملابس بشكل صحيح وقد لا تعمل دورات المستشعر التلقائي بشكل صحيح.
- لا تشغل مجففك في درجات حرارة أقل من 45 درجة فهرنهايت (7 درجات مئوية). حيث أنه في درجات الحرارة المنخفضة، قد لا يغلق المجفف في نهاية الدورة التلقائية. ويمكن أن تمتد أوقات التجفيف.
- لا يجب تركيب المجفف أو تخزينه في منطقة يتعرض فيها للماء و/أو أحوال الطقس.
- تحقق من متطلبات القانون. حيث تحدّ بعض القوانين أو لا تسمح بتركيب المجفف في المرائب أو الخزائن أو أماكن النوم. اتصل بمفتش البناء المحلي الخاص بك.

### معلومات (حيز) التركيب:

يجب أن يكون الموقع كبيرا بما يكفي للسماح بفتح باب المجفف بشكل كامل.

### القطع المطلوبة:

تحقق من القوانين المحلية. تحقق من التيار الكهربائي الحلامي والتهوية، وقرأ "المتطلبات الكهربائية" و "متطلبات التهوية" قبل شراء القطع.

### إذا باستخدام كبل التيار الكهربائي:

استخدم طقم كبل مصدر القدرة UL المسجل المؤشر عليه للاستخدام مع مجففات الملابس. ويجب أن يحتوي الطقم على:

- كبل مصدر قدرة 30 أمبير المسجل UL، حد أدنى مقدر 230 فولت. ويجب أن يكون نوع الكبل SRD أو SRDT وطوله لا يقل عن 4 قدم (1.22 متر). يجب أن تنتهي الأسلاك التي تتصل بالمجفف بأطراف حلقيّة أو أطراف مسحاتية بنهايات مقلوبة.
- مخفف التوتر المسجل UL.

### بلا نسبة لتركيب الغاز:

تحقق من القوانين المحلية ومورد الغاز، وقرأ المتطلبات الكهرباء والغاز والتهوية قبل شراء القطع.

يجب أن يحتوي أنبوب إمداد الغاز على:

### ■ صمام إغلاق

يجب أن يحتوي أنبوب إمداد الغاز الصلب على:

- حد أدنى للقطر الداخلي 12.5 مم (1/2 بوصة) للأنبوب

يجب أن يحتوي أنبوب إمداد الغاز المرن على:

- حد أدنى للقطر الداخلي 10 مم (3/8 بوصة) خرطوم معتمد مرن

## تحذير



### خطر الانفجار

أبعد المواد القابلة للاشتعال والأبخرة، مثل البنزين، بعيدا عن المجفف.

ضع المجفف على ارتفاع لا يقل عن 18 بوصة (460 مم) فوق الأرضية لتركيب المراب.

يمكن أن يؤدي عدم القيام بذلك إلى الوفاة أو الانفجار أو الحريق.

### الغاز النفطي المسال:

أطعم تحويل الغاز متاحة للشراء من موزعك. التعليمات الكاملة متوفرة مع الطقم. يجب أن يقوم بتحويل فني متخصص.

قد تكون هناك حاجة لأجزاء إضافية، حسب التركيب الذي تقوم به. تحقق من القوانين المحلية. تحقق من التهوية الموجودة وإمداد الكهرباء والغاز. وقرأ "المتطلبات الكهربائية" و "متطلبات العناية" و "متطلبات التهوية" قبل شراء القطع.

**تحذير:** من أجل سلامتك، يجب إتباع المعلومات الواردة في هذا الدليل للحد من خطر نشوب حريق أو انفجار أو لمنع إلحاق أضرار بالملكات أو الإصابة الشخصية أو الوفاة.

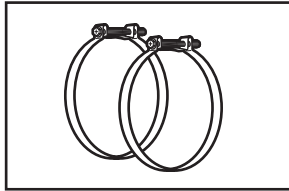
- لا تخزين أو تستخدم البنزين أو أبخرة وسوائل قابلة للاشتعال أخرى في محيط هذا الجهاز أو أي جهاز آخر.
- قم بفعل الآتي إذا شممت رائحة غاز:
  - لا تحاول أن تضيق أي جهاز.
  - لا تلمس أي مفتاح كهربائية ولا تستخدم أي هاتف في المبنى الخاص بك.
  - أفرغ الغرفة أو المبنى أو المنطقة من جميع ما يشغلها.
  - استدع على الفور مورد الغاز الخاص بك من هاتف الجيران. واتبع إرشادات مورد الغاز.
  - إذا لم تتمكن من الوصول إلى مورد الغاز الخاص بك، استدع رجال الإطفاء.
- يجب أن ينفذ التركيب والخدمة متخصص تركيب مؤهل أو وكالة صيانة أو مورد الغاز.

## متطلبات التركيب

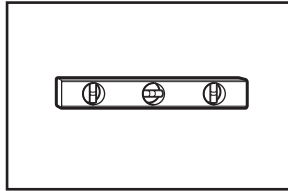
### الأدوات والأجزاء

اجمع الأدوات والأجزاء اللازمة قبل بدء التثبيت. اقرأ واتبع الإرشادات المقدمة لأي أدوات مذكورة هنا.

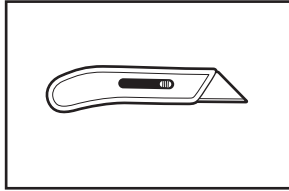
### الأدوات اللازمة:



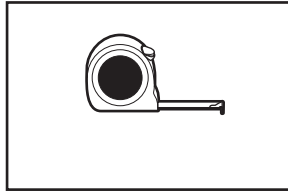
مشابك أنبوب التهوية



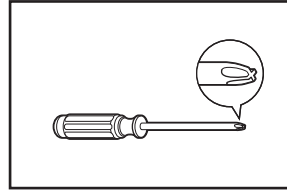
ميزان ضبط الاستواء



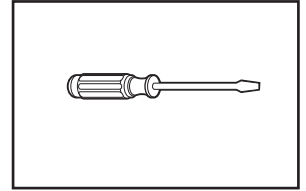
مدية مرفقية



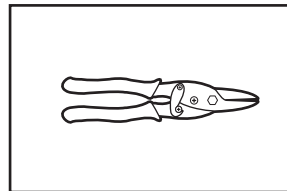
شريط قياس



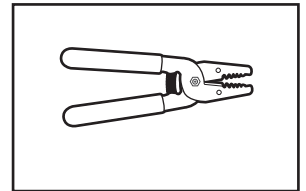
مفك فيليبس #2



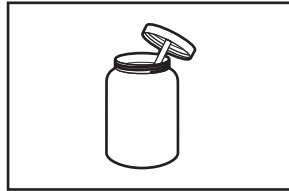
مفك بشفرة مسطحة



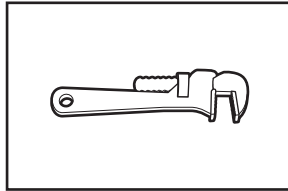
مقص صفيح  
(تركيبات أنبوب التهوية الجديد)



مُعرية أسلاك  
(تركيبات الأسلاك المباشرة)

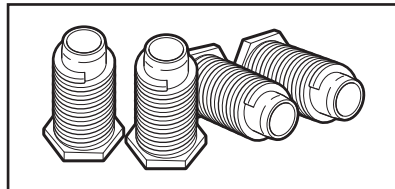


مقاوم مركب وصل للأنابيب  
للغاز النفطي المسال

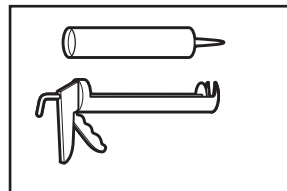


مفتاح ربط أنابيب انضباطي  
يفتح حتى 204 مم (8 بوصة)  
أو 254 مم (10 بوصة)

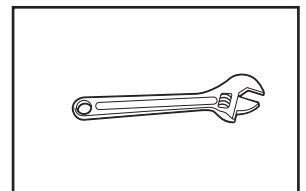
### القطع المرفقة (جميع الموديلات):



سيقان تسوية (4)



مركب ومسدس جلفطة  
(لتركيب أنبوب العادم الجديد)



مفتاح ربط انضباطي يفتح حتى  
بوصة واحدة (25 مم) أو مفتاح  
ربط صندوقي سداسي الرأس

تقع عبوة القطع في حلة المجفف. تأكد أن كافة القطع مرفقة.

### إن سلامتك وسلامة الآخرين أمر هام جدًا.

لقد وضعنا العديد من رسائل السلامة المهمة الخاصة بالجهاز في هذا الدليل. لذا احرص دائمًا على قراءة رسائل السلامة والالتزام بها.

هذا هو رمز تنبيه السلامة.

ينبهك هذا الرمز إلى المخاطر المحتملة التي يمكن أن تتسبب في حدوث حالات وفاة أو تسبب الأذى لك وللآخرين. تظهر كل رسائل السلامة عقب رمز تنبيه السلامة سواء كانت كلمة "DANGER" (خطر) أو "WARNING" (تحذير)، وتعني هاتان الكلمتان ما يلي:



قد تتعرض للوفاة أو الإصابة البالغة على الفور في حال عدم اتباعك للإرشادات التالية.

**خطر** ⚠️

قد تتعرض للوفاة أو الإصابة البالغة في حالة عدم اتباعك للإرشادات التالية.

**تحذير** ⚠️

تخبرك جميع رسائل السلامة حول المخاطر المحتملة، وتلك على كيفية الحد من احتمال التعرض للإصابة، كما تلك على ما قد يحدث في حالة عدم اتباع الإرشادات.

## تحذير - "خطر الحريق"



- يجب إجراء تركيب مجفف الملابس عن طريق متخصصي تركيب مؤهلين.

- قم بتركيب مجفف الملابس وفقا لإرشادات الشركة الصانعة والقوانين المحلية.

- لا تقم بتركيب مجفف الملابس مع مواد أنبوب تهوية بلاستيكية مرنة أو أنبوب معدني مرن (من نوع الرقيقة المعدنية). إذا تم تركيب أنبوب معدني مرن، يجب أن يكون من النوع الذي تحدده الشركة المصنعة للجهاز أنها تكون مناسبة للاستخدام مع مجففات الملابس. ومن المعروف أن مواد أنبوب التهوية المرنة تنهار وتتحمم بسهولة وتحجز النسالة. وتعيق هذه الأحوال تدفق هواء مجفف الملابس وتزيد خطر نشوب حريق.

- للحد من خطر الإصابة الشديدة أو الوفاة، اتبع جميع إرشادات التركيب.

- يرجى الاحتفاظ بهذه الإرشادات.

**تحذير:** لا يمكن اكتشاف تسريبات الغاز دائمًا عن طريق الشم.

يوصي موردو الغاز باستخدام جهاز كشف عن الغاز معتمد من قبل UL أو CSA.

للحصول على مزيد من المعلومات؛ يرجى الاتصال بمورد الغاز لديك.

اتبع تعليمات "ما يجب فعله في حال شم رائحة الغاز" في حال اكتشاف تسريبات غاز.

# إرشادات تركيب المجفف الكهربائي أو الغاز - موديلات عرض 29 بوصة

## جدول المحتويات

13.....	خطة نظام التهوية	2.....	سلامة المجفف
14.....	تركيب نظام التهوية	3.....	متطلبات التركيب
14.....	إنشاء توصيل الغاز	3.....	الأدوات والأجزاء
15.....	توصيل التهوية	4.....	متطلبات الموقع
15.....	تسوية المجفف	5.....	المتطلبات الكهربائية
15.....	قائمة مراجعة للتركيب الكامل	6.....	متطلبات الغاز
16.....	دوران الباب العكسي (اختياري)	7.....	تركيب سيقان الاستواء
19.....	استكشاف الأعطال وإصلاحها	8.....	الاتصال الكهربائي
		12.....	التهوية
		12.....	متطلبات التهوية

4GWED4750  
4GWED4900  
4GWGD4900  
4GMEDC100  
4GMEDC300  
4GNED4400  
4GNED4600  
4GAED4900

W10454274C