

Use & Care Manual

Electric Range

CONTENTS

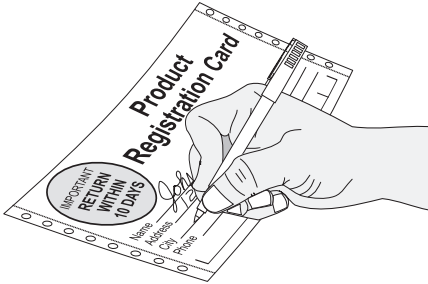
	Page
Product Registration	2
Important Safety Instructions	3-4
Installation Instructions	5-6
Oven Light	6
Surface Light	6
Circuit Protection	7
Setting Surface Controls	7
Selecting Surface Cooking Utensils	7
Specialty Pans & Trivets	8
Canning Tips & Information	8
Indicator Light	9
Models with Touch Pad Control	9
Oven Baking	9
Air Circulation	10
Convection Cooking	10
Convection Roasting	10
Speed Bake Cooking System (some models)	11
Broiling	12
Oven Settings	12
Ceramic Glass Cooktop	13-16
Cleaning the appliance	17-20
To Remove and Replace the Oven Door	20
Removable Outer Door Glass Panel	21
To Remove/Replace Storage Drawer	21
Warmer Drawer (some models)	22-23
Avoid Service Checklist	24-27
Warranty	28

Visit the Frigidaire Web Site at:
<http://www.frigidaire.com>

Product Registration

Register Your Product

The self-addressed **PRODUCT REGISTRATION CARD** should be filled in completely, signed and returned to Electrolux Home Products North America.



Thank you for choosing this appliance. The information contained within this **Owner's Guide** will instruct you on how to properly operate and care for your range. Please read through the information contained in your literature pack to learn more about your new appliance.

Record Your Model and Serial Numbers

Record in the space provided below the model and serial numbers. The numbers are found on the serial plate located at the right of the range frame and are visible when the drawer is open.

Model Number: _____

Serial Number: _____

Date of Purchase: _____

This Owner's Guide contains general operating instructions for your range and feature information for several models. Your range **may not** have all the described features. The graphics shown are representational. The graphics on your range may not look exactly like those shown.

Note: The instructions appearing in this Owner's Guide are not meant to cover every possible condition and situation that may occur. Common sense and caution must be practiced when installing, operating and maintaining any appliance.

Important: Keep a copy of your bill of sale. The date on the bill establishes the warranty period service be required. Place it where it can be easily retrieved. If service is performed while the appliance is under warranty, you may have to show your bill of sale.

IMPORTANT SAFETY INSTRUCTIONS

Read all instructions before using this appliance.
Save these instructions for future reference.

This guide contains important safety symbols and instructions. Please pay special attention to these symbols and follow all instructions given. Here is a brief explanation of these symbols.

⚠ WARNING This symbol will help you to situations that may cause serious bodily harm, death or property damage.

⚠ CAUTION This symbol will help you to situations that may cause bodily injury or property damage.

- **Remove all tape and packaging wrap before using the range. Destroy the carton and plastic bags after unpacking the range.** Never allow children to play with packaging material.

- **Proper Installation—Be sure your appliance is properly installed and grounded by a qualified technician in accordance with CSA C22.1 PART 1 — latest edition and local code requirements.** Install only per installation instructions provided in the literature package for this range.

Ask your dealer to recommend a qualified technician and an authorized repair service. Know how to disconnect the electrical power to the range at the circuit breaker or fuse box in case of an emergency.

- **User Servicing — Do not repair or replace any part of the appliance unless specifically recommended in the manuals.** All other servicing should be done only by a qualified technician to reduce the risk of personal injury and damage to the range.

- **Never modify or alter the construction of a range by removing panels, wire covers or any other part of the product.**

⚠ WARNING Stepping, leaning or sitting on the door or drawer of this range can result in serious injuries and may also cause damage to the range. Do not allow children to climb or play around the range. The weight of a child on an open door may cause the range to tip, resulting in serious burns or other injury.

⚠ WARNING Do not use the oven for storage.

- **Storage in or on Appliance — Flammable materials should not be stored in an oven, near surface units or in the storage drawer.** This includes paper, plastic and cloth items, such as cookbooks, plasticware and towels, as well as flammable liquids. Do not store explosives, such as aerosol cans, on or near the range. Flammable materials may explode and result in fire or property damage.

⚠ CAUTION Do not store items of interest to children in the cabinets above a range or on the backguard of a range. Children climbing on the range to reach items could be seriously injured.

- **Do not leave children alone. Children should not be left alone or unattended in the area where an appliance is in use.** They should never be allowed to sit or stand on any part of the appliance.

- **DO NOT TOUCH SURFACE UNITS, AREAS NEAR THESE UNITS, OVEN HEATING ELEMENTS OR INTERIOR SURFACES OF THE OVEN.** Both surface units and oven heating elements may be hot even though they are dark in color. Areas near surface units may become hot enough to cause burns. During and after use, do not touch, or let clothing or other flammable materials touch these areas until they have had sufficient time to cool. Among these areas are the cooktop, surfaces facing the cooktop, the oven vent openings and surfaces near these openings, oven door and window.

- **Wear Proper Apparel — Loose-fitting or hanging garments should never be worn while using the appliance.** Do not let clothing or other flammable materials contact hot surfaces.

⚠ WARNING Never use your appliance for warming or heating the room.

- **Do Not Use Water or Flour on Grease Fires—Smother the fire with a pan lid, or use baking soda, a dry chemical or foam-type extinguisher.**

- **When heating fat or grease, watch it closely.** Fat or grease may catch fire if allowed to become too hot.

- **Use Only Dry Potholders — Moist or damp potholders on hot surfaces may result in burns from steam.** Do not let the potholders touch hot heating surface units or interior oven elements. Do not use a towel or other bulky cloth instead of a potholder.

- **Do Not Heat Unopened Food Containers—Build-up of pressure may cause the container to burst and result in injury.**

- **Remove the oven door from any unused range if it is to be stored or discarded.**

- **IMPORTANT—Do not attempt to operate the oven during a power failure. If the power fails, always turn the oven off.** If the oven is not turned off and the power resumes, the oven will begin to operate again. Food left unattended could catch fire or spoil.

⚠ CAUTION Electronic controllers can be damaged by cold temperatures. When you use your range for the first time, or if it has not been used for a long period of time, make sure that it has been exposed to a temperature above 0°C/32°F for at least 3 hours before connecting it to the power supply.

IMPORTANT SAFETY INSTRUCTIONS (continued)

IMPORTANT INSTRUCTIONS FOR USING YOUR COOKTOP

- **Know which knob controls each surface heating unit.**
- **Use Proper Pan Size** — This appliance is equipped with one or more surface units of different sizes. Select utensils having flat bottoms large enough to cover the surface unit. The use of undersized utensils will expose a portion of the surface heating unit to direct contact and may result in ignition of clothing. Proper relationship of utensil to the surface unit will also improve efficiency.
- **Utensil Handles Should Be Turned Inward and Should Not Extend Over Adjacent Surface Units** — To reduce the risk of burns, ignition of flammable materials, and spillage due to unintentional contact with the utensil.
- **Never Leave Surface Units Unattended** — Boilovers cause smoking and greasy spillovers that may ignite, or a pan that has boiled dry may melt.
- **Protective Liners** — Do not use aluminum foil to line oven bottom or any other part of the range. Only use aluminum foil as recommended for baking if used as a cover placed on the food. Any other use of protective liners or aluminum foil may result in a risk of electric shock or fire or a short circuit.
- **Glazed Cooking Utensils** — Only certain types of glass, glass/ceramic, ceramic, earthenware, or other glazed utensils are suitable for rangetop service without breaking due to the sudden change in temperature. Check the manufacturer's recommendations for rangetop use.

FOR GLASS COOKTOPS ONLY

- **Do Not Cook on Broken Cooktop** — If cooktop should break, cleaning solutions and spillovers may penetrate the broken cooktop and create a risk of electric shock. Contact a qualified technician immediately.
- **Clean Cooktop with Caution** — If a wet sponge or cloth is used to wipe spills on a hot cooking area, be careful to avoid a steam burn. Some cleaners can produce harmful fumes if applied to a hot surface.

IMPORTANT INSTRUCTIONS FOR USING YOUR OVEN

- **Use Care When Opening Door** — Stand to the side of the range when opening the door of a hot oven. Let hot air or steam escape before you remove or replace food in the oven.

- **Keep Oven Vent Ducts Unobstructed.** The oven is vented between the cooktop and the backguard. Touching the surfaces in this area when the oven is operating may cause severe burns. Also, do not place plastic or heat-sensitive items on or near the oven vent. These items could melt or ignite.
- **Placement of Oven Racks.** Always place oven racks in desired location while oven is cool. Remove all utensils from the rack before removing rack. If rack must be moved while oven is hot, use extreme caution. Use potholders and grasp the rack with both hands to reposition. Do not let potholders contact the hot oven element or interior of the oven.
- **Do not use the broiler pan without its insert.** The broiler pan and grid allow dripping fat to drain and be kept away from the high heat of the broiler.
- **Do not cover the broiler grid with aluminum foil.** Exposed fat and grease could ignite.
- **Do not touch a hot light bulb with a damp cloth.** Doing so could cause the bulb to break. Disconnect the range or turn off the power to the range before removing and replacing light bulb.

IMPORTANT INSTRUCTIONS FOR CLEANING YOUR RANGE

- **Clean the range regularly to keep all parts free of grease that could catch fire.** Exhaust fan ventilation hoods and grease filters should be kept clean. Do not allow grease to accumulate. Greasy deposits in the fan could catch fire. Refer to the hood manufacturer's instructions for cleaning.
- **Cleaners/Aerosols** — Always follow the manufacturer's recommended directions for use. Be aware that excess residue from cleaners and aerosols may ignite causing damage and/or injury.

SELF-CLEANING OVENS:

- **Clean in the self-cleaning cycle only the parts of the oven listed in this owner's guide.** Before self-cleaning the oven, remove the broiler pan and any utensils stored in the oven.
- **Do not clean the oven door gasket.** Care should be taken not to rub, damage or move the gasket.
- **Do not use oven cleaners.** No oven cleaner or oven liner protective coating of any kind should be used in or around any part of the oven.
- **Remove oven racks.** Oven racks colour will change if left in the oven during a self-cleaning cycle.

⚠ CAUTION The health of some birds is extremely sensitive to the fumes given off during the self-clean cycle of any range. Move birds to another well ventilated room.

SAVE THESE INSTRUCTIONS

Installation Instructions

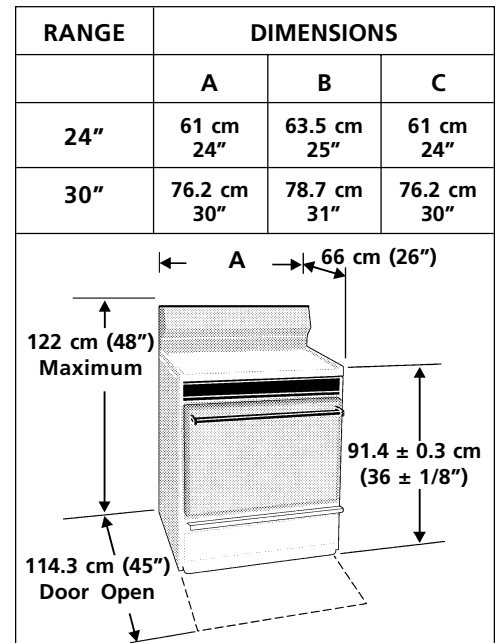
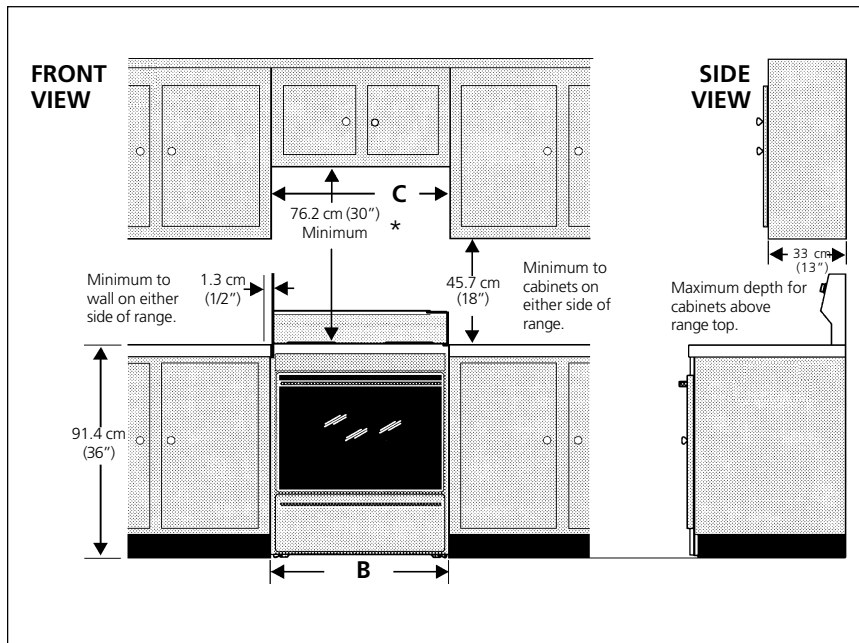
Installation and service must be performed by a qualified technician.

IMPORTANT: Save for the local electrical inspector's use.

Read and save these instructions for future reference.

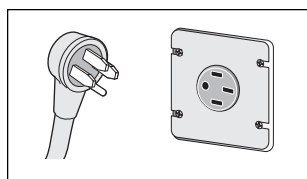
Clearances and Dimensions

- Provide adequate clearances between the range and adjacent combustible surface (1.3cm (1/2")) to the cabinet side walls and the rear wall).
- Location—Check location where the range will be installed. Check for proper electrical supply and the stability of floor.
- Dimensions that are shown must be used. Given dimensions provide minimum clearance. Contact surface must be solid and level.



* 76.2 cm (30") Minimum clearance between the top of the cooking surface and the bottom of an unprotected wood or metal cabinet; or 61 cm (24") Minimum when bottom of wood or metal cabinet is protected by not less than 0.64 cm (1/4") flame retardant millboard covered with not less than 0.038 cm (0.015") stainless steel, 0.061 cm (0.024") aluminum or 0.051 cm (0.020") copper. 1.3 cm (1/2") clearance is the minimum for the rear and sides of the range. Follow all dimension requirements provided above to prevent property damage, Potential fire hazard, and incorrect countertop and cabinet cuts.

To eliminate the risk of burns or fire by reaching over heated surface units, cabinet storage space located above the surface units should be avoided. If cabinet storage is to be provided, the risk can be reduced by installing a range hood that projects horizontally a minimum of 12.7 cm (5") beyond the bottom of the cabinets.



Electrical Hook-Up

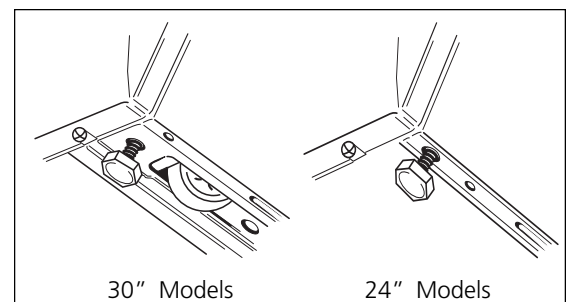
This appliance must be connected to a grounded 120/240 volt or 120/208 volt Range outlet. If no outlet is available, have one installed by a qualified electrician.

Location

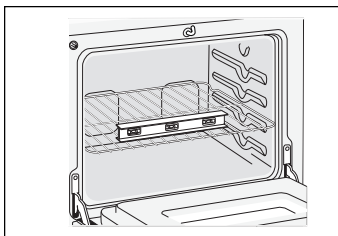
Set your new range 1.3 cm (1/2") away from the rear wall and line it up with the kitchen counters. Make sure there is at least 1.3 cm (1/2") of clearance between each side of the range and the kitchen counters. Allow 7.6 cm (3") min. clearance between your range and the refrigerator, if they are side by side.

Leveling

For good baking results, your range should be level. Screw type leveling legs are provided at each corner of the range at the base. Remove the storage drawer to adjust the leveling legs. (Refer to Storage Drawer section).

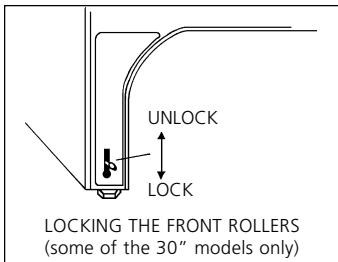


Installation Instructions (continued)

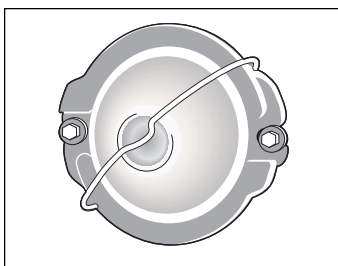


To level the range:

1. Use a 1-1/4" open end key or an adjustable wrench to equally unscrew the four leveling legs two to three turns each.
2. Install an oven rack in the center of the oven.
3. Move the range to its final position, then put a spirit level on the rack to check for levelness. Take two readings, one with the level placed diagonally first in one direction, and then the other.
4. Use the 1-1/4" key or wrench to adjust the leveling legs. Turn each one until the range stands firm without wobbling.
5. Some models are supported by smooth glide rollers to facilitate moving. If floor is flat and level, open the drawer and lower the front roller locking levers (some models) to prevent the range from moving. If floor is not flat or level or if this model has rollers without locking levers, use the 4 leveling legs to level, support and prevent the range from moving.



Oven Light



CAUTION Do not turn the oven light on during the self-cleaning cycle. High temperature will reduce lamp life.

On some models an interior oven light will turn on automatically when the oven door is opened. The oven light may be turned on when the door is closed by using the oven light switch located on or underneath the control panel.

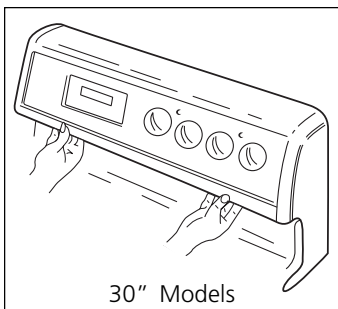
On a self clean oven the lamp is covered with a glass shield held in place by a wire holder. **THIS GLASS SHIELD MUST BE IN PLACE WHENEVER THE OVEN IS IN USE.**

To replace the light bulb:

CAUTION BE SURE OVEN IS COOL.

1. Turn the power off at the main source.
2. Wear a leather-faced glove for protection against possible broken glass.
3. Replace bulb with a 40 watt appliance bulb only.
4. For self-cleaning oven, press wire holder to one side to release glass shield, change bulb and be sure to replace glass shield.

Surface Light (some models)



CAUTION Be sure all surface element control knobs are turned off "●" and elements are cool.

Use switch located on or underneath the control panel to turn the surface light ON/OFF. Replace the surface light, if after repeated attempts to turn it on you are not successful.

30" RANGE SURFACE LIGHT REPLACEMENT (some models)

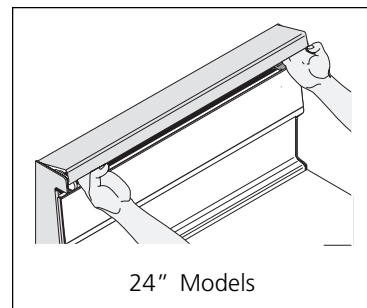
To remove and replace the fluorescent light:

1. Place your fingers under the tube at approximately 20.3 cm (8") from each end.
2. To remove, turn the tube 90° then pull it down and out of its sockets.
3. To replace the tube, engage the new tube into the sockets, then rotate and snap the tube in place. Turn on the surface light to make sure it will lit.

24" RANGE SURFACE LIGHT REPLACEMENT (Some models)

To remove and replace the fluorescent light:

1. Lift up the control panel cover.
2. Place your fingers on the tube at approximately 20.3 cm (8") from each end.
3. To remove, turn the tube 90° then pull it out of its sockets.
4. To replace the tube, engage the new tube into the sockets, then rotate and snap the tube in place light to make it sure it will lit.

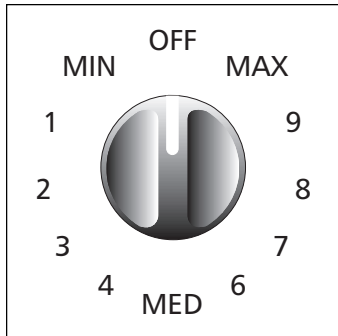


Circuit Protection

As a protection against surcharge, a 15 amp, 120 volt fuse is provided for each of the electric outlet(s) (2 max.) located on top of the control panel. To access the fuse(s) raise the control panel cover. Models with no electric outlet have no fuse.

Setting Surface Controls

NOTE: Control knob shown is typical only.



1. Place the pan on the surface element.
2. Push in and turn the surface element control knob to desired setting.
3. The surface signal light will glow when one or more elements are turned on. Always turn the element off before removing the pan.

The suggested settings found in the chart below are based on cooking in medium-weight aluminum pans with lids. Settings may vary when using other types of pans.

Note: The size and type of utensil used, and the amount and type of food being cooked will influence the setting needed for best cooking results.

CAUTION Do not place plastic items such as salt and pepper shakers, spoon holders or plastic wrappings on top of the cooktop when it is in use. These items could melt or ignite. Potholders, towels or wood spoons could catch fire if placed too close to the element.

AUTOMATIC LOCK OFF OF THE SURFACE ELEMENTS

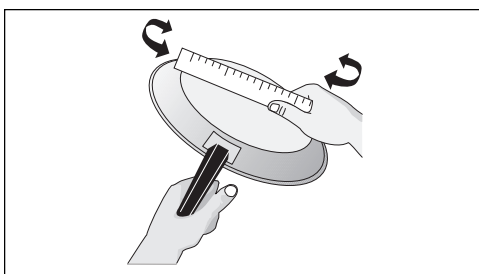
(30" models with a self-cleaning oven only)

During the self-clean cycle, the surface elements, when used, are subjected to high heat. To ensure maximum element life, a safeguard locks off the use of the surface elements during the self-clean cycle. Once the oven cleaning cycle is complete and the oven door can be opened, the surface elements can be utilized.

Setting	Type of Cooking
MAX	Start most foods, bring water to a boil, pan broiling.
MEDIUM	Maintain a slow boil, thicken sauces and gravies, steam vegetables.
MEDIUM LOW	Keep foods cooking, poach, stew.
MIN	Keep warm, melt, simmer.

Selecting Surface Cooking Utensils

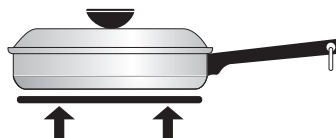
For best results and energy conservation, choose cooking utensils that have these characteristics:



Pans should have flat bottoms that make good contact with the entire surface element. Check for flatness by rotating a ruler across the bottom. There should be no gaps between the pan and ruler.

Note: Always use a utensil for its intended purpose. Follow manufacturer's instructions. Some utensils were not made to be used in the oven or on the cooktop.

*GOOD



- Flat bottom and straight sides.
- Tight fitting lids.
- Weight of handle does not tilt pan. Pan is well balanced.
- Pan sizes match the amount of food to be prepared and the size of the surface element.
- Made of material that conducts heat well.
- Easy to clean.

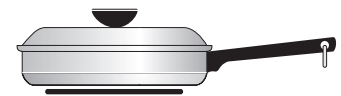
* Specialty pans such as lobster pots, griddles and pressure cookers may be used but must conform to the above recommended cookware requirements.

POOR

- Curved and warped pan bottoms.



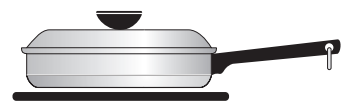
- Pan overhangs unit by more than 2.5 cm (1").



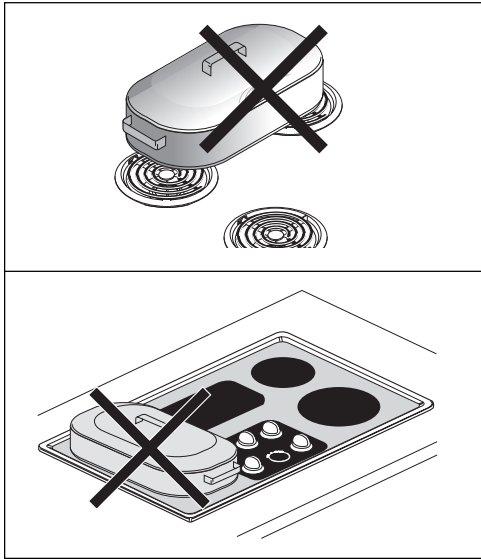
- Heavy handle tilts pan.



- Pan is smaller than element.



Specialty Pans & Trivets

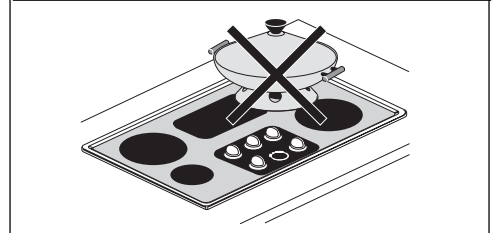


Woks with flat bottoms suitable for use on your cooktop are available in most cookshop or hardware stores. Round-bottomed woks (with a support ring that does not extend beyond the heating element) may also be used. The metal ring was designed to support the wok safely when it is filled with large amounts of liquids (soup making) or fat (frying).

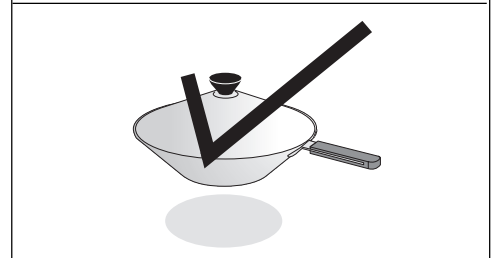
⚠ CAUTION DO NOT use two elements (if the cooktop is not equipped with bridge element) to heat one large pan such as a roaster or griddle, or allow cooking utensils to boil dry. The bottom surface of the pan in either of these situations could cause discoloring or crazing of the porcelain enamel range surface, and damage to the surface elements and/or damage to the drip pans (if equipped).

Wire trivets: Do not use wire trivets. Cookware bottoms must be in direct contact with the surface elements.

DO NOT use a wok if it is equipped with a metal ring that extends beyond the surface element. Because this ring traps heat, the surface element and cooktop surface could be damaged.

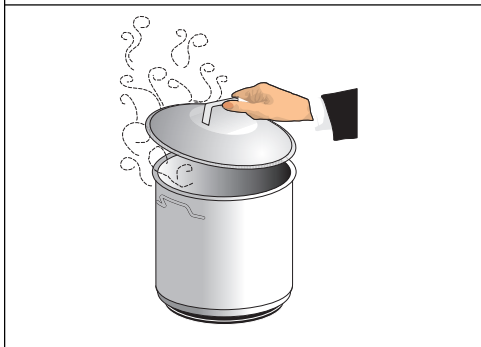


For glass smoothtop models, only flat bottomed woks (without support rings) may be used.



Canning Tips & Information

⚠ CAUTION Canning can generate large amounts of steam. Use extreme caution to prevent burns. Always raise the lid to vent steam away from you.



1. Use tested recipes and follow instructions carefully. Check with your local Cooperative Agricultural Extension Service or a manufacturer of glass jars for the latest canning information.
2. Use flat-bottomed canners only. Heat is spread more evenly when the bottom surface is flat.
3. Center canner on the surface element.
4. Start with hot water and a high heat setting to reduce the time it takes to bring the water to a boil; then reduce the heat setting as low as possible to maintain a constant boil.
5. It is best to can small amounts and light loads.

⚠ CAUTION Prevent damage to cooktop:

1. Do not use water bath or pressure canners that extend more than one inch beyond the edge of the surface element.
2. Do not leave water bath or pressure canners on high heat for an extended amount of time.
3. Alternate surface elements between each batch to allow the units and surrounding surfaces to cool down. Try to avoid canning on the same element all day.

⚠ CAUTION Safe canning requires that harmful micro-organisms are destroyed and the jars are sealed completely. When canning in a water bath canner, a gentle but steady boil must be maintained continuously for the required time.

Indicator Light

Some models have an indicator light for each heating unit, other models have an indicator light for each pair of heating units.

The indicator light glows as soon as a heating unit is turned on. Check if the indicator light glows when the control knob of the individual heating unit is turned on. If the knob is set to a very low temperature setting, the indicator may glow and yet, the heating unit may not be heating at all. If this happens, turn the knob to a higher setting until the heating unit comes on.

When cooking is finished, a quick glance at the indicator lights is an easy check to be sure all the control knobs have been turned to **OFF "●"**.






Models with Touch Pad Control (only)

NOTE: When the oven is in a baking, convection baking, broiling or self-cleaning operation, a cooling fan may automatically turn on and off to cool internal parts. It is normal and the fan may continue to run even after oven is turned off.

Oven Baking

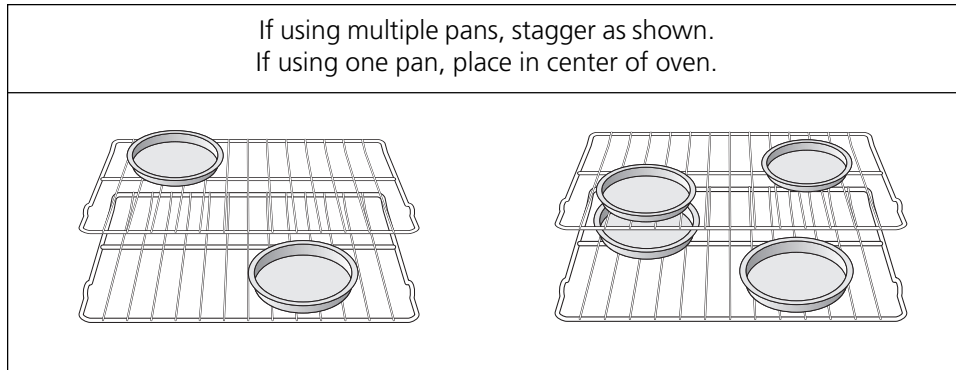
For best cooking results, heat the oven before baking cookies, breads, cakes, pies or pastries, etc... There is no need to preheat the oven for roasting meat or baking casseroles.

The cooking times and temperatures needed to bake a product may vary slightly from your previously owned appliance.

Baking Problems and Solutions Chart		
Baking Problems	Causes	Corrections
Cookies and biscuits burn on the bottom. 	<ul style="list-style-type: none"> • Cookies and biscuits put into the oven before the preheating time is completed. • Oven rack overcrowded. • Dark pan absorbs heat too fast. 	<ul style="list-style-type: none"> • Allow oven to preheat to the selected temperature before placing food in oven. • Choose pan sizes that will permit 5.1 cm to 10.2 cm (2" to 4") of air space on all sides when placed in the oven. • Use a medium-weight aluminum baking sheet.
Cakes too dark on top or bottom. 	<ul style="list-style-type: none"> • Cakes put into the oven before preheating time is completed. • Rack position too high or low. • Oven too hot. 	<ul style="list-style-type: none"> • Allow oven to preheat to the selected temperature before placing food in the oven. • Use proper rack position for baking needs. • Set oven temperature 25°F/12°C lower than recommended.
Cakes not done in the center. 	<ul style="list-style-type: none"> • Oven too hot. • Incorrect pan size. • Pan not centered in oven. 	<ul style="list-style-type: none"> • Set oven temperature 25°F/12°C lower than recommended. • Use pan size suggested in recipe. • Use proper rack position and place pan so there is 5.1 cm to 10.2 cm (2" to 4") of space on all sides of pan.
Cakes not level. 	<ul style="list-style-type: none"> • Range not level. • Pan too close to oven wall or rack overcrowded. • Pan warped. 	<ul style="list-style-type: none"> • Place a marked glass measuring cup filled with water on the center of the oven rack. If the water level is uneven, refer to the installation instructions for leveling the range. • Be sure to allow 5.1 cm to 10.2 cm (2" to 4") of clearance on all sides of each pan in the oven. • Do not use pans that are dented or warped.
Foods not done when cooking time is up. 	<ul style="list-style-type: none"> • Oven too cool. • Oven overcrowded. • Oven door opened too frequently. 	<ul style="list-style-type: none"> • Set oven temperature 25°F/12°C higher than suggested and bake for the recommended time. • Be sure to remove all pans from the oven except the ones to be used for baking. • Open oven door only after shortest recommended baking time.

Air Circulation in the Oven

For good air circulation in the oven and best baking results, center pans as much as possible. Allow 5.1 to 10.2 cm (2" to 4") around the utensil(s) for proper air circulation and be sure pans do not touch each other, the door, sides or back of oven. The hot air must circulate around the pans for even heat to reach all parts of the oven.



Convection Cooking (some models)

NOTE: The convection fan automatically turns off when the oven door is opened while oven is in a convection mode and resumes when the door is closed again.

The convection oven uses a fan located in the rear wall of the oven to circulate heated air around the food to be cooked. The controlled air flow pattern quickly seals the food surface retaining the natural juices and flavour. This method of cooking enables you to obtain the best culinary results when baking, thawing, dehydrating and roasting foods.

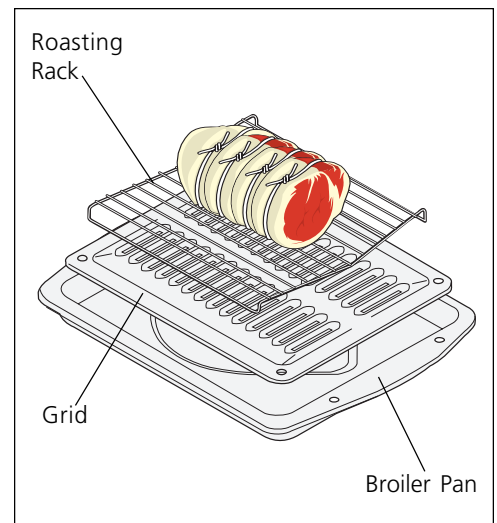
Convection notes:

1. Most recipes can be made with temperatures set at 13°C (25°F) lower than temperatures required for normal radiant cooking methods. Refer to the electronic oven control operating instructions included in section "Electronic Oven Control Guide" of this Use & Care Guide. This can result in considerable reduction of food shrinkage and more tender meats.
2. Batch cooking is more convenient with better results.
3. Defrosting is quicker in convection mode when compared to regular radiant cooking.
4. Remember to use tested recipes with times adjusted for convection baking/roasting when using the convection mode. Times may be reduced by as much as 30% when using the convection feature.

Convection Roasting (some models)

When convection roasting, use the broiler pan and grid, and the roasting rack. The broiler pan will catch grease spills and the grid will help prevent grease spatters. The roasting rack will hold the meat.

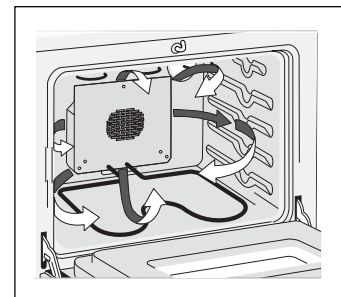
1. Place oven rack on bottom or next-bottom rack position.
2. Place the grid in the broiler pan. The roasting rack fits on the grid allowing the heated air to circulate under the food for even cooking and helps to increase browning on the underside. Make sure the roasting rack is securely seated on the grid in the broiler pan. DO NOT use the broiler pan without the grid or cover the grid with aluminum foil.



Speed Bake™ Cooking System (some models)

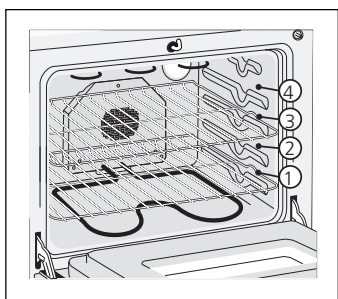
Speed Bake™ Cooking System uses a fan to circulate the oven's heat uniformly and continuously around the oven. This improved heat distribution allows for fast, even cooking and browning results. It also gives better baking results when using two racks at the same time.

Heated air flows around the food from all sides, sealing in juices and flavors. Meats cooked with **Speed Bake™ Cooking System** are juicier. Poultry is crisp on the outside while staying tender and moist on the inside. Breads and pastry brown more evenly. Most foods baked in a standard oven can be cooked faster and more evenly with **Speed Bake™ Cooking System**.



Benefits of Speed Bake™ Cooking System:

- Foods cook up to 30% faster, saving time and energy.
- Two racks can be used with more even cooking and browning.
- No special pans or bakeware needed.



General Cooking Instructions:

1. To convert baking times from normal recipes to **Speed Bake** times, start with a 30% reduction in time and increase the time until desired doneness is obtained. Time reductions will vary depending on the amount and type of food.
2. Preheating is not necessary when cooking with **Speed Bake**, except with items such as cakes, cookies, biscuits, breads, etc.
3. When using two racks at the same time, place them in positions 1 and 3 for the best results.
4. When baking cakes with **Speed Bake**, set temperature 25°F (13°C) degrees lower than the recommended setting for best results.

To Set Speed Bake™ Cooking System:

1. Program the oven as you normally would for baking. Speed Bake may be used with Bake, Time Bake and Delayed Time Bake modes.
2. Push and releases **Speed Bake** switch. The indicator light will glow and the fan will come on. The fan stays on when oven door is closed and shuts off while the oven door is opened. The fan will continue to operate until baking is complete.
3. When using **Speed Bake** feature along with the Delayed Timed Bake mode, the fan will begin to operate when the control is set. The oven elements will not begin to operate until the Delayed Start Time is reached. This operation is normal.
4. To cancel Speed Bake function, push **CANCEL** on the oven control as you would to cancel any baking function.



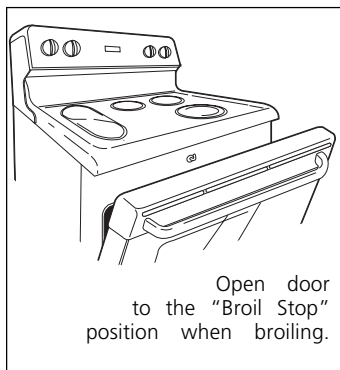
Pilot light

Note: **Speed Bake** mode will not work during a clean cycle.

Recommended Foods for Speed Bake™ Cooking System	
Food Item	Decrease Cook Time by:
Casseroles	25%
Meats	15% (or 5 mins/pound)
Poultry	30% (or 10 mins/pound)
Frozen Foods	20%
Refrigerator Cookies or Biscuits	25% (or 2 to 5 min.)
Rolls/Breads/Pizza	25% (or 5 min.)
Vegetables	25%
Baked potatoes	25%
Pies/Pastries	30%

Broiling

Broiling is a method of cooking tender cuts of meat by direct heat under the broil element of the oven.



Always pull oven rack out to the "stop" position before turning or removing food.

Preheating

Preheating is suggested when searing rare steaks. (Remove the broiler pan before preheating. Foods will stick if placed on hot metal.) To preheat, set the oven control(s) to BROIL as instructed in the Owner's Guide. Wait for the element to become red-hot, usually about 2 minutes. Preheating is not necessary when broiling meats well-done.

To Broil

Broil on one side until the food is browned; turn and cook on the second side. Season and serve. Always pull rack out to the "stop" position before turning or removing food.

Determining Broiling Times

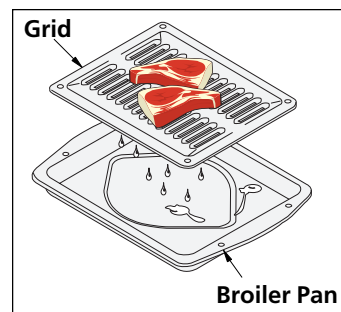
Broiling times vary, so watch the food closely. Time not only depends on the distance from the element, but on the thickness and aging of meat, fat content and doneness preferred. The first side usually requires a few minutes longer than the second. Frozen meats also require additional time.

Broiling Tips

The broiler pan and its grid allow dripping grease to drain and be kept away from the high heat of the broiler.

DO NOT use the pan without its grid. **DO NOT** cover the grid with foil. The exposed grease could ignite.

CAUTION Should an oven fire occur, close the oven door and turn off the oven. If the fire continues, throw baking soda on the fire or use a fire extinguisher. **DO NOT** put water or flour on the fire. Flour may be explosive.



Broiler Clean-Up Tips:

- To make cleaning easier, line the bottom of the broiler pan with aluminum foil. **DO NOT** cover the broiler grid with foil.
- To prevent grease from baking on, remove the broiler pan from the oven as soon as cooking is completed. Use hot pads because the broiler pan is extremely hot. Pour off grease. Soak the pan in HOT, soapy water.
- Clean the broiler pan as soon as possible after each use. If necessary, use soap-filled steel wool pads. Heavy scouring may scratch the grid.

Oven Settings

For oven settings, refer to the timer section or the electronic oven control.

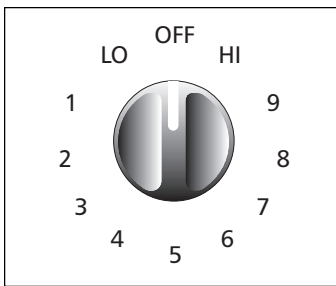
Ceramic Glass Cooktop (some models)

The ceramic-glass cooktop has electric heating coils located below the ceramic glass surface. The design of the glass cooktop outlines the area of the surface heating unit below. Most importantly, make sure the diameter of the pan matches the diameter of the surface unit. Heat is transferred up through the surface of the cooktop. Only flat-bottomed pans should be used. The type and size of the cookware, number of surface units in use and the settings of the surface units are factors that will affect the amount of heat that will spread to areas surrounding the units. The areas surrounding the units may become hot enough to cause burns. The cooktop should not be used as a cutting board or work surface. Dropping heavy or hard objects on the cooktop may crack it. Pans with rough bottoms may scratch the cooktop surface. Placing foods directly on the smoothtop surface (without cooking utensils) is not recommended as difficult cleaning will result and foods may smoke and cause a potential fire hazard. Never use the griddle or similar cooking sheet on the ceramic glass cooktop.

Types of heating units used

Depending on model, three types of heating units may be found under the ceramic glass cooktop:

- **Regular** (single coil) **radiant elements** of various diameters or shapes.
- **Expandable** type (double circuits) **radiants elements** of various diameters or shapes.
- **Bridge Expandable** type (triple circuits) **radiants elements** of various diameters or shapes.

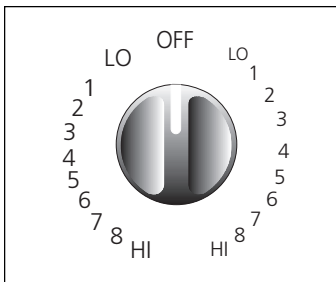


Regular radiant elements (some models)

The ceramic glass design shows the location of the heating surfaces.

Control knobs are used to set the heat power levels; knobs need first to be pressed in when at OFF position, then turned to the desired heat settings.

A glowing red surface unit extending beyond the bottom edge of the cooking utensil indicates the utensil is too small for the unit. The control knob does not have to be set exactly on a particular mark. Use the marks as a guide and adjust the control knob as needed. The hot surface and surface indicator lights will glow.

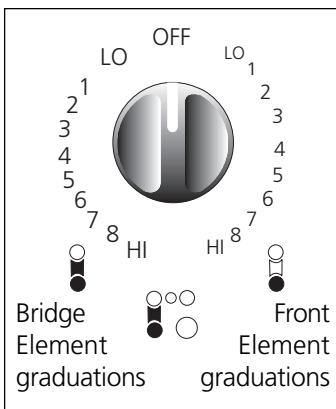


Expandable radiant elements (some models)

This heating unit combines the characteristics of a small and a large regular radiant heating unit. Its principal advantage is to allow small and large utensils to be used on the same heating unit, therefore increasing the cooktop flexibility.

Heat power levels are adjusted by a special control knob that has a dual set of graduations; for small utensils use the small graduations; the inner surface only will be heating. For larger utensils use the larger graduations; the whole surface will be heating.

The hot surface and surface indicator lights will glow when the heating unit is turned ON.



Bridge Radiant elements (some models)

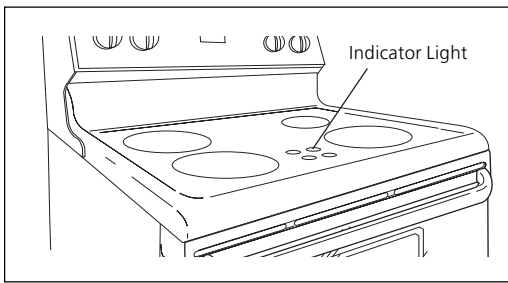
Its principal advantage is to allow you to create larger cooking zone for larger pan such as roaster, griddle or some other specialty pans.

To use the bridge element, turn the control knob on left side, to the bridge element settings.

For full bridge element operation turn on the rear element.

To use only the front element, turn the control knob on right side, to the front element settings.

Ceramic Glass Cooktop (some models) (continued)



Hot Surface Indicator Light (some models)

Some models have an indicator light located on the ceramic glass cooktop that glows as soon as the glass begins to warm up. When the heating unit is turned off, it will continue to glow as long as the glass remains warm enough to cause burns. Other models have one hot surface indicator per element arranged in a cluster. Their location is as shown in the illustration above.

Setting Warm Zone controls (some models)

To Operate the warm zone

Your appliance is equipped with a warm zone. The purpose of the warm zone is to keep hot cooked foods at serving temperature. Always start with hot food. It is not recommended to heat cold food on the warm zone.

Use the warm zone to keep cooked foods hot such as: vegetables, gravies, casseroles, soups, stews, breads, pastries and oven-safe dinner

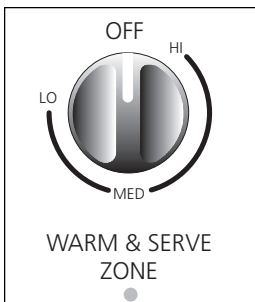
All food placed on the warm zone should be covered with a lid or aluminum foil to maintain quality. For best results, when warming pastries or breads, the cover should have an opening to allow moisture to escape. **Do not use plastic wrap to cover food. Plastic may melt onto the surface and be very difficult to clean.**

Use only dishware, utensils and cookware recommended for oven and cooktop use on the warm zone.

CAUTION Unlike the surface elements, the warm zone will not glow red when it is hot. Always use potholders or oven mitts when removing food from the warm zone as cookware and plates will not be hot.

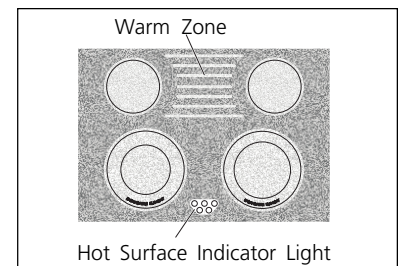
Indicator Lights

The **Surface indicator light** is located above or below the warm zone control. It turns on when the control is set, and stays on until the control is turned off. The **hot surface indicator light**, located under the glass cooktop, will come on when the control is set and will continue to glow until the glass cooktop has cooled down to moderate level.



To Set the Warm Zone Control

1. To set the control, push in and turn the knob. The temperatures are approximate, and are designated by HI, MED and LO. However, the control can be set at any position between HI and LO for different levels of heating.
2. When done, turn the control to OFF. The warm zone will remain warm until the **hot surface indicator light** goes off.



Temperature Selection

Refer to the chart for recommended heating levels. If a particular food is not listed, start with the medium level, and adjust as needed. Most food can be kept at serving temperatures by using the medium level.

Warm Zone Recommended Food Settings Chart			
Food Item	Heating Level	Food Item	Heating Level
Breads/Pastries	LO	Sauces	MED
Casseroles	LO	Soups (cream)	MED
Dinner Plate with Food	LO	Stews	MED
Eggs	LO	Vegetables	MED
Gravies	LO	Fried Foods	HI
Meats	MED	Hot Beverages	HI
		Soups (liquid)	HI

Ceramic Glass Cooktop (some models) (continued)

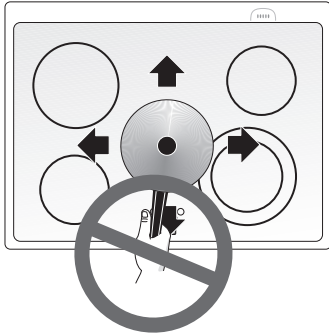
Special Caution for Aluminum Foil and Aluminum Cooking Utensils

1) Aluminum foil

Use of aluminum foil will damage the cooktop. Do not use under any circumstances.

2) Aluminum utensils

The melting point of aluminum being much lower than that of other metals, care must be taken when aluminum pots or pans are used. If allowed to boil dry, not only will the utensil be ruined, but also permanent damage in the form of breakage, fusing or marking may affect the ceramic glass surface.



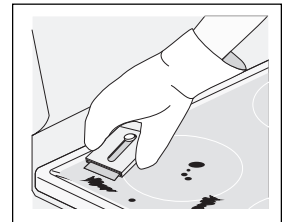
Sliding aluminum or copper clad bottom pans on the cooktop can cause metal markings on the cooktop surface. These marks should be removed **immediately** after the cooktop has cooled using the cooktop cleaning cream. Metal marks can become permanent if not removed prior to future use.

Cookware (cast iron, metal, ceramic or glass) with rough bottoms can mark or scratch the cooktop surface. **Do not slide anything metal or glass** across the cooktop. **Do not** use your cooktop as a cutting board or work surface in the kitchen. **Do not** cook foods directly on the cooktop surface without a pan.

Do not drop heavy or hard objects on the glass cooktop, they may cause it to crack.

Things to Remember

1. AVOID using bleach and don't use ammonia to clean the ceramic surface.
2. Do not put plastic items on warm cooking areas.
3. Never slide oven racks across cooktop surface. They may scratch or metalmark the cooktop.
4. **If cooktop should break, do not use cooktop or attempt to clean it. Call your authorized service technician immediately.**
5. Never use a trivet or metal stand between the cooking utensil and the ceramic cooktop. The ceramic surface may be scratched, metal marked or etched by such items.
6. Sugary spills can cause pitting of your cooktop surface. Therefore, you must begin cleaning the spills while the cooktop is still hot. Use caution when following the steps below.
 - a) Turn off all surface units and remove all pans immediately.
 - b) Wearing an oven mitt, use a razor blade scraper to scrape the hot spill out of the cooking zone to a cooler area on the cooktop.
 - c) Allow the cooktop to cool.



Use and Care of Glass Surface

Problem	Cause	To Prevent	To Remove
Fine "brown lines" (tiny scratches or abrasions which have collected soil)	Coarse particles (salt, sand, sugar or grit) between bottom of cookware and cooktop that are not removed before cooking. Using incorrect cleaning materials.	Clean cooktop after every use. Daily use of cleaner cream.	Tiny scratches are not removable. They can be minimized by continual use of cleaner cream. Such scratches do not affect cooking.
Metal marking (mark or black marks).	Sliding or scraping metal utensils or oven shelves across cooktop.	Do not slide cookware across cooktop.	Apply cleaner cream with dampened paper towel to a cooled surface.
Brown streaks and specks.	Cleaning with a sponge or dishcloth that has been used for other kitchen tasks.	Use cleaner cream with clean, damp paper towel.	Use a small amount of cleaner cream with clean, damp paper towel.

NOTE: Due to the high intensity of heat generated by the surface elements, the glass surface will turn green when the element will be turned off. This phenomenon is normal and the glass will come back to its original white color after it has completely cooled down. (White glass cooktops only).

Ceramic Glass Cooktop (some models) (continued)

Use and Care of Glass Surface (continued)

Cleaning Materials for Ceramic Glass Cooktop

Some cleaning materials may contain an ingredient which can damage the cooktop. Use recommended materials only (see below). Cleaner cream should be used regularly. Prior to using your cooktop for the first time, apply a cleaner cream to the ceramic surface. A sample of **CERAMA BRYTE®** cleaner cream is supplied with your range. More are available in stores if needed.

Use only recommended cleaning products and follow these basic cleaning suggestions.

1. BEFORE THE COOKTOP IS USED. Thoroughly clean and saturate the cooktop with cleaner cream.
 - a) Dampen clean paper towel and clean unit.
 - b) Wipe off with another clean, damp paper towel; then wipe dry.
2. For normal daily cleaning, apply a dab of cleaner cream in the center of each unit-area to be cleaned. Start with approximately 1/8 teaspoon. (Apply more if needed). Then, proceed as stated above in (a and b).
3. Make sure bottom of cookware and cooking area are clean and dry.
4. Select heat settings and cookware large enough for food and liquid. This stops boilovers and splatterings.
5. Wipe up food spills and spatters before they burn into surface.



CERAMA BRYTE®
(Cleaner cream for ceramic cooktops)

IMPORTANT Regularly use cleaner cream. If you run out of cleaner cream, use one of the cleansers listed. Be sure to get a new supply of cleaner cream.

⚠ CAUTION Never mix cleaning products! Mixtures may interact, with damaging or hazardous results.

Do Use on Ceramic Glass Cooktop

1. Baking soda.
2. Non-impregnated plastic and nylon pads.
3. For burned on material, scrape with single-edged razor blade, held at a 30° angle.
4. Ceramic glass cleaning cream.
5. **CERAMA BRYTE®** cleaner cream.

Do not Use on Ceramic Glass Cooktop

1. Avoid pads, that can leave marks and scratches.
2. Avoid heavy-duty cleansing powders, these can scratch, depending on their abrasiveness and cleaning pressure applied.
3. Avoid chemical oven cleaners. These can etch the cooktop surface and are caustic.
4. Avoid rust stain removers containing hydrofluoric acid.
5. Avoid using bleach and don't use ammonia.

Special Cleaning Instructions for Mineral Deposits and Discolorations

Problem: A gray brown stain that is not removed when using cleaner cream.

Cause: Condensation, when cooking, often collects and drips from cookware. The minerals found in water supply and foods may cause a gray or brown film to develop on cooktop. This film is so thin it cannot be felt and appears to be under cooktop.

To Prevent: Daily and proper use of cleaner cream.

To Remove:

- Wet surface with water and sprinkle on cleaner cream.
- Scrub with clean, damp paper towel until stain disappears.
- Clean remaining paste away with damp paper towel.
- Apply dab of cleaner cream and polish with a clean paper towel.

WARNING

- Do not use cleansers on a heated surface. Fumes could be hazardous. Wait for area to cool before cleaning.
- Do not use cleaner cream to clean porcelain, paint or aluminium.

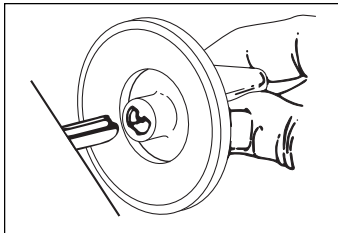
Cleaning the Appliance

Exterior Cleaning

Clean range after each use to prevent sticky grease built-up and spills from cooking on. Wash with hot, soapy water and a clean cloth. Wipe with a soft cloth or paper towel. Do not use abrasives, steel wool, cleaners containing ammonia, acids or commercial oven cleaners on any exterior parts of the range, except the porcelain enamel cooktop. If a metal cleaner or polish is used on metal trim, be sure the label specifies that it is safe for use on chrome and aluminium.

Before cleaning any part of the range, make sure all heating elements are turned to OFF "●" and are cool.

Steel/Aluminum Control Panel



Control knobs (some models)

If the control panel needs cleaning turn the control knobs to **OFF "●"**, then pull knobs straight off the shafts.

Most cleaning of your steel/aluminum control panel can be done using a clean cloth with warm soapy water or other mild household cleaners.

Sometimes, applying few drops of a recommended cooktop cleaning/polishing cream (with silicone) will remove any remaining soil and will leave a protective coating which will keep your range looking like new.

Cooktop cleaning/polishing cream can be purchased through authorized service centers or major department stores.

Glass Control Panel:

Use a clean cloth or a sponge with warm, soapy water or paper towel and spray glass cleaner to clean the glass panel. Be careful not to let water/cleaner go behind the glass or near the knob activated controls.

Replace knobs; engage the flat surface inside the knob cavity with the flat on the shaft. Push knobs onto the shafts.

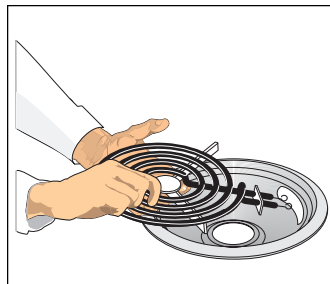
Prior to cleaning the coil elements make sure they are cold and that control knobs are turned to OFF "●".

⚠ WARNING Never leave covers on the coil elements as they could be permanently damaged if the coil is turned on by accident.

Coil Surface Elements (some models)

Coil Elements and Drip Bowls

Coil elements clean themselves when they are turned on.



Coil elements and drip bowls are removable and allow to clean the drip bowls.

To remove a coil element, push against the front edge and lift element up and out.

To clean by hand, wash the drip bowls in hot sudsy water. For hard to remove spots, use a nylon scrubber with soap. Rinse and dry while still warm.

⚠ WARNING Never immerse coil elements in water.

SURFACES	CLEANING AGENTS	INSTRUCTIONS
Porcelain Enamel (Cooktop, Surface under cooktop)	Mild Cleaners or soap-filled steel wool pads	Use a damp sponge or dampened soap pad, rinse and dry
Insert – Control panel	Hot, soapy water or cleaner cream	Use a clean, soapy, dampened cloth or paper towel, remove soil and dry. Do not use abrasive products.

Cleaning the Appliance (continued)

Porcelain Enamel Cooktop Cleaning Instructions.

⚠ WARNING **DO NOT** use a cooktop cleaner on a hot cooktop. The fumes can be hazardous to your health, and can chemically damage the cooking surface.

⚠ CAUTION Before Cleaning the surface cooktop, be sure the controls are turned to OFF and the cooktop is cool.

⚠ CAUTION **DO NOT use commercial oven cleaners** on the **exterior** surfaces including rangetop and door frame.

Porcelain Enamel Cooktop Cleaning

Correct and consistent cleaning is essential to maintaining your porcelain enamel cooktop. If food spills and grease spatters are not removed, they may burn onto the surface of the cooktop and cause permanent discoloration.

Daily Cleaning

For normal soil:

1. Allow cooktop surface to cool.
2. Wipe off spills and spatters using a clean paper towel or a clean cloth with warm, soapy water.
3. If needed, use a soapy steel wool pad or other mild household cleaners.
4. Be sure to rinse off the cleaners or the porcelain may become damaged during future heating.

For heavy, burned-on soil:

1. Allow cooktop surface to cool.
2. Use a soap filled scouring pad with warm water or cover heavily soiled spots with a solution of clear water and ammonia. Scour gently. Rinse and wipe dry with a clean cloth.
3. If any soil remains, apply a few drops of a recommended cooktop cleaning cream on the spots and rub gently using a clean damp cloth or scouring pad. Buff with a dry cloth until all soil and cream are removed. Frequent cleaning with the cooktop cleaning cream leaves a protective coating which helps in preventing scratches and abrasions.

For sugary spillovers:

Sugary spills can chemically damage your cooktop surface. Therefore, you must begin cleaning the spills while the cooktop is still hot. Use caution when following the steps below.

1. Turn off all surface units and remove all pans immediately.
2. Wearing an oven mitt, wipe up carefully or move hot spills away from the element area with a clean damp cloth.
3. Allow the cooktop to cool. Follow the instructions above for heavy, burned-on soil.

COOKTOP CLEANING/POLISHING CREAM can be purchased through authorized service centers or major department stores.

Cleaning the Appliance (continued)



Cleaning the Regular Oven (Non self-clean oven)

Make sure the oven is cool and that all control knobs are at **OFF "●"** position. Cleaning the oven is a lot easier when the door is removed.

1. Remove the oven door; see **"To Remove and Replace Oven Door"** section in this manual.
2. Empty the oven including the racks.
3. You can wash the broiler pan, grid and racks in the kitchen sink.
4. Clean oven lining thoroughly with soap and a wet cloth and wipe with a dry cloth.

To remove burned-on fat on oven walls, moisten soiled parts with household ammonia, using a wet cloth. Follow suggested manufacturer's cleaning method. (Do not remove the oven door when using ammonia.)

Complete cleaning with a damp cloth and use a fine steel wool or scouring agent if necessary. The lower element can be moved up for cleaning purposes.

5. Replace racks in the oven. Reinstall oven door.

Cleaning the Self-Clean Oven (some models)

Adhere to the following cleaning precautions:

- Allow the oven to cool before cleaning.
- Wear rubber gloves when cleaning any exterior parts of the oven manually.

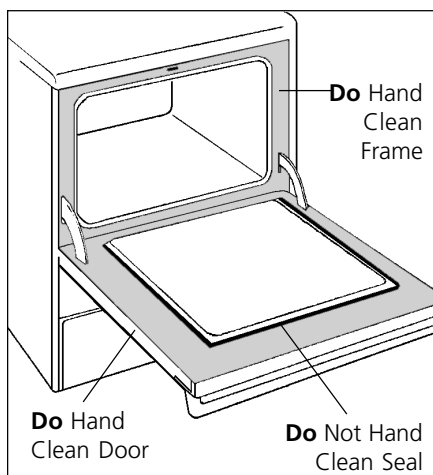
⚠ CAUTION During the self-cleaning cycle, the outside of the wall oven can become very hot to the touch. **DO NOT** leave small children unattended near the appliance.

⚠ CAUTION The health of some birds is extremely sensitive to the fumes given off during the self-cleaning cycle of any range. Move birds to another well ventilated room.

⚠ CAUTION Before cleaning any part of the oven, be sure the electronic oven control is turned off or else push **CANCEL** pad. Wait until the oven is cool.

DO NOT use commercial oven cleaners or oven protective coatings in or around any part of the self-cleaning oven. **DO NOT** clean the oven door gasket. The gasket on the oven door is essential for a good seal. Care should be taken not to rub, damage or move the gasket. **DO NOT** use any cleaning materials on the gasket. Doing so could damage it. **DO NOT** use aluminum foil to line the oven bottom. This may affect cooking or foil could melt and damage the oven surface.

A self-cleaning oven cleans itself with high temperatures (well above cooking temperatures) which eliminate soil completely or reduce it to a fine powdered ash you can whisk away with a damp cloth.



Preparing the Oven for Self-Cleaning

1. Remove any excess spillovers in the oven cavity before starting the self-cleaning cycle. To clean, use hot soapy water and a cloth. Large spillovers can cause heavy smoke or fire when subjected to high temperatures. **DO NOT** allow food spills with a high sugar or acid content (such as tomatoes, sauerkraut, fruit juices or pie filling) to remain on the surface as they may cause a dull spot even after cleaning.
2. Clean any soil from the oven frame and the door liner (see illustration). These areas heat sufficiently during a self-clean cycle to burn soil on. Clean with soap and water.
3. Remove the broiler pan and insert, all utensils and any foil. These items do not withstand high cleaning temperatures.
4. Oven racks may be left in the oven or may be removed. If they go through the clean cycle, their colour will turn slightly dull. After the cycle is completed and the oven has cooled, rub the sides of the racks with wax paper or a cloth containing a small amount of baby oil or salad oil. This will make the racks glide easier.

Cleaning the Appliance (Continued)

AUTOMATIC LOCK OFF OF THE SURFACE ELEMENTS (30" models with a self-cleaning oven only)

During the self-clean cycle, the surface elements, when used, are subjected to high heat. To ensure maximum element life, a safeguard locks off the use of the surface elements during the self-clean cycle. Once the oven cleaning cycle is complete and the oven door can be opened, the surface elements can be utilized.

What to Expect During Cleaning

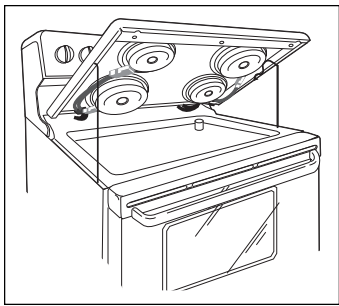
While the oven is in operation, the oven heats to temperatures much higher than those used in normal cooking. Sounds of metal expansion and contraction are normal. Odor is also normal as the food soil is being removed. Smoke may appear through the oven vent, located on the top of the control panel.

If heavy spillovers are not wiped up before cleaning, they may flame and cause more smoke and odor than usual. This is normal and safe and should not cause alarm. If available, use an exhaust fan during the self-cleaning cycle.

NOTE: A smoke eliminator in the oven vent converts most of the soil into a colourless vapor.

Setting the Controls for a Clean Cycle

For the setting of the clean cycle, refer to the section on the timer or Electronic oven control.



Upswept lift cooktop (some models)

On some models, the cooktop, when equipped with coil elements, can be raised to facilitate cleaning of the panel.

To raise the cooktop, grab the sides and lift from the front. Use the two sliding wire supports located on each side of the cooktop and pull them toward you, to the lock position, in order to maintain the cooktop in the raised position while cleaning the panel.

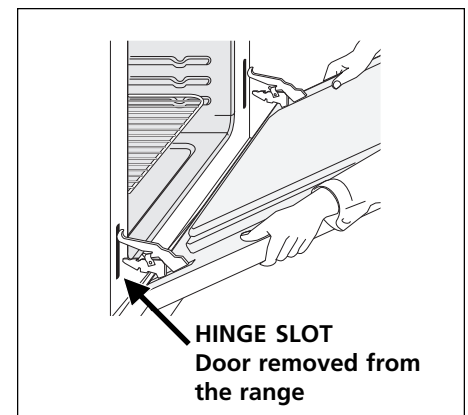
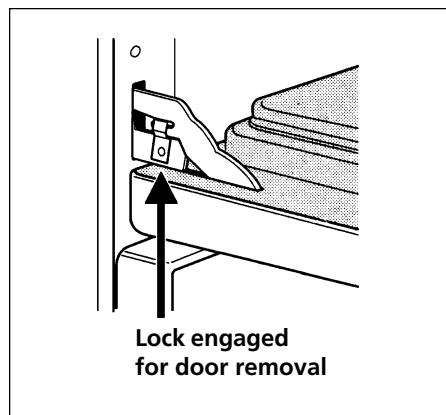
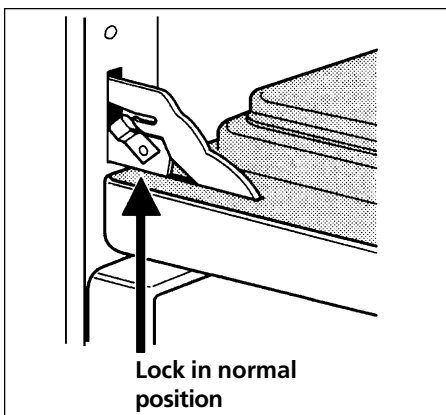
CAUTION Lower the cooktop slowly; be careful not to pinch fingers. Do not let the cooktop fall freely, as this may damage the porcelain finish.

To Remove and Replace the Oven Door

1. Open the door fully.
2. Pull up the lock located on both hinge supports and engage them in the hook of the hinge levers. You may have to apply a little downward pressure on the door to pull the locks fully over the hooks.
3. Grab the door by the sides, pull the bottom of the door up and toward you to disengage the hinge supports.

Keep pulling the bottom of the door toward you while rotating the top of the door toward the range to completely disengage the hinge levers.

4. Proceed in reverse to reinstall the door.
Make sure the hinge supports are fully engaged before unlocking the hinge levers.



Removable Outer Door Glass Panel (some models)

Applicable only to models with an external glass panel not held with a frame. This design allows you to clean the inside face of the exterior door panel as well as the hidden face of the door inner glass. There are two different kinds of glass panel; one with a lower metal trim fixed on the underside of the glass panel and the other one with a lower metal support rail.

To remove the external door glass panel:

1. Pull the door off the range as per instructions under **"To Remove and Replace Oven Door"** in "Cleaning the Appliance" section and lay the door flat.
2. Using a screwdriver, remove the screws fastening the glass lower metal trim or the glass assembly.
3. Grab both sides of the glass panel and slowly pull it out of the door upper moulding. Lay the glass flat.

CAUTION Handle the glass panel with care. When dropped on a corner the glass panel may shatter in multiple fragments and you could get hurt.

CAUTION **DO NOT** remove the lower metal trim, which is fixed on the underside of the glass panel.

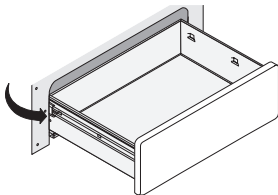
To replace the external door panel:

1. Grab the sides of the glass panel and carefully insert the glass into the door top moulding.
2. Replace the glass lower trim or the glass assembly using the locking screws.
3. Replace the door onto the range as per **"To Remove and Replace Oven Door"** in "Cleaning the Appliance" section.

To Remove/Replace Storage Drawer

To remove the Drawer:

Push down the left latch and pull up the right latches. Pull drawer out of range.



To Remove/Replace the Storage Drawer with Extendable Glides (some models)

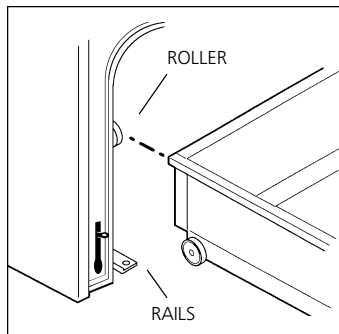
Use the storage drawer for storing cooking utensils. The drawer can be removed to facilitate cleaning under the range. Use care when handling the drawer.

To Remove the Drawer:

1. Pull out the empty drawer until it stops.
2. Push down the left glide latch and pull up the right glide latch.
3. Pull drawer out of the range.

To Replace the Drawer:

1. Slide the drawer rails over the glides.
2. Push the drawer back into the range.



To Remove/Replace the Storage Drawer with Rollers (some models)

To Remove the Drawer:

1. Pull the empty drawer out to the roller guide stop.
2. Tilt the drawer up and pull it out over the rollers.

To Replace the Drawer:

1. Insert the rear end of the drawer into the opening.
2. Fit the drawer end rollers onto the guide rails.
3. Push the drawer in until it stops, then lift to allow the rollers to clear the roller guide stop, and push in.

Warmer Drawer (some models)

Setting Warmer Drawer Controls

To Operate the Warmer Drawer

Your range is equipped with a warmer drawer. The purpose of the warmer drawer is to keep hot cooked foods at serving temperature. Always start with hot food. It is not recommended to heat cold food in the warmer drawer.

All food placed in the warmer drawer should be covered with a lid or aluminum foil to maintain quality. **Do not cover crisp foods. Do not use plastic wrap to cover food. Plastic may melt onto the drawer and be very difficult to clean.**

Use only dishware, utensils and cookware recommended for oven use in the warmer drawer.

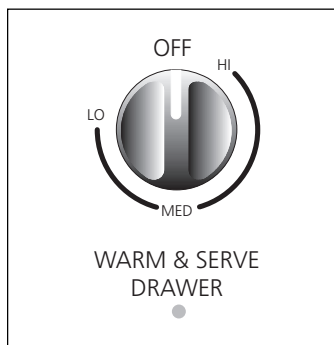
CAUTION Always use potholders or oven mitts when removing food from the warmer drawer as cookware and plates will be hot.

Note: Use the warmer drawer to keep hot foods hot such as: vegetables, gravies, meats, casseroles, biscuits and rolls, pastries and heated dinner plates.

Note: The warmer drawer is equipped with a catch which may require extra force when opening and closing the drawer.

Indicator Light

The indicator light is located below the thermostat control. It turns on when the control is set, and stays on until the control is turned off. The warmer drawer is inoperable during the self-clean cycle. The indicator light will not come on during the self-clean cycle.



To Set the Thermostat Control

The thermostat control is used to select the temperature of the warmer drawer. It is located on the control panel. To set the thermostat, push in and turn the knob to the desired setting. The temperatures are approximate, and are designated by HI, MED and LO. The control can be set to the three settings, or anywhere between.

1. Select the temperature setting.
2. For best results, preheat the drawer before adding food. An empty drawer will reach the HI setting in about 18 minutes, the Med setting in about 15 minutes and the LO setting in about 12 minutes.
3. When done, turn the thermostat control to OFF.

Temperature Selection

Refer to the chart in the side column for recommended settings. If a particular food is not listed, start with the medium setting. If more crispness is desired, remove the lid or aluminum foil.

Most foods can be kept at serving temperatures by using the medium setting.

When a combination of foods are to be kept warm (for instance, a meat with 2 vegetables and rolls), use the high setting.

Refrain from opening the warmer drawer while in use to eliminate loss of heat from the drawer.

To Warm Serving Bowls and Plates

Heat bowls and plates on the LO setting. Place empty dishes on the rack to raise them off drawer bottom. To further heat dishes or to heat fine china, check with the manufacturer for maximum heat tolerance.

IMPORTANT: The warmer drawer will be turned off automatically when the oven is in a self-cleaning mode. The warmer drawer can be used immediately after the clean cycle is ended.

Warmer Drawer Recommended Food Settings Chart

<u>Food Item</u>	<u>Setting</u>
Bacon	HI
Biscuits	MED
Casseroles	MED
Eggs	MED
Empty Dinner Plates	LO
Fish, Seafood	MED
Fried Foods	HI
Gravies	MED
Ham	MED
Hamburger Patties	HI
Pancakes, Waffles	HI
Pastries	MED
Pies	MED
Pizza	HI
Pork Chops	HI
Potatoes (baked)	HI
Potatoes (mashed)	MED
Poultry	HI
Roasts (Beef, Pork, Lamb)	MED
Rolls, soft	LO
Rolls, hard	MED
Vegetables	MED

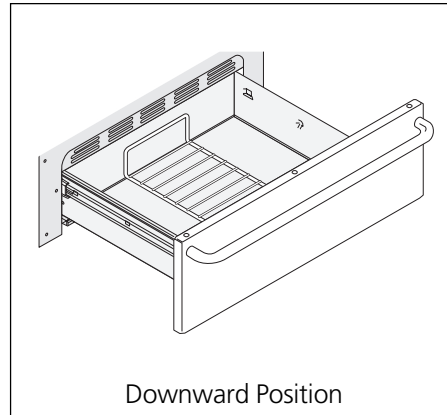
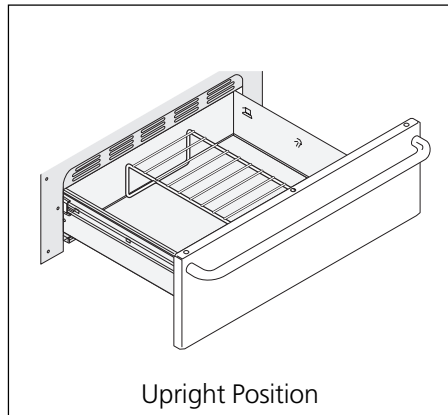
Warmer Drawer (some models)

Arranging Warmer Drawer Rack Positions

Set the warmer drawer rack in the vertical position as shown below.

The rack can be used in 2 ways:

- In the **upright position** to allow low profile food items to be placed both under and on top of the rack (for example, rolls or biscuits on top of the rack and a casserole dish under).
- In the **downward position** to allow you to place light weight food items and empty dishware (for example, rolls or pastries and dinner plates).



Warmer Drawer General Cleaning

To Remove and Replace Warmer Drawer

To Remove Warmer Drawer:

1. **CAUTION** Turn power off before removing the warmer drawer.
2. Open the drawer to the fully opened position.
3. Locate the latches on both sides of the warmer drawer. The left latch is visible. However, the right side is not and is located inside the drawer glides.
4. Pull up on the left glide latch while inserting a screwdriver over the right latch and pushing down.
5. Pull the drawer away from the range.
6. To clean warmer drawer, gently scoure with a soapy scouring pad, this will remove most spots. Rinse with a 1:1 solution of clear water and ammonia.

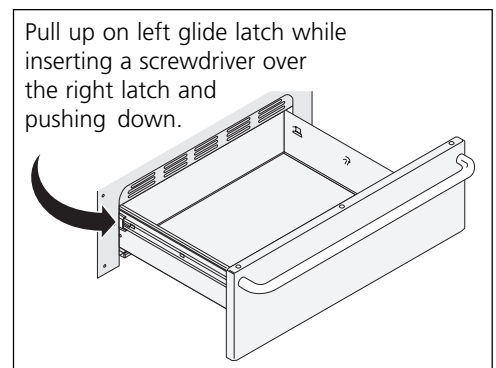
*If necessary, cover difficult spots with an ammonia-soaked paper towel for 30 to 40 minutes. Rinse with clean water and a damp cloth, and then scrub with a soap-filled scouring pad. Rinse and wipe dry with a clean cloth. Remove all cleaners or the porcelain may become damaged during future heating. **DO NOT** use spray oven cleaners on the cooktop.*

To Replace Warmer Drawer:

1. Align the glide latches on both sides of the drawer with the slots on the drawer.
2. Push the drawer back into the range.



WARNING **Electrical Shock Hazard** can occur and result in serious injury or death. Disconnect appliance from electric power before cleaning and servicing the warmer drawer.



Avoid Service Checklist

Before you call for service - read this

You may save the cost and inconvenience of an unnecessary service call by first reviewing this easy to use Avoid-Service Check List of the most frequently encountered situations that are not the result of defective workmanship of materials.

You will be charged for a service call while the appliance is in warranty if the problem is not caused by defective product workmanship or materials.

Your new appliance is a carefully engineered product. Many times, what appears to be a reason to call for service requires nothing more than a simple adjustment you can easily make in your own home or is normal operating characteristic of appliance under certain conditions.

This list is applicable to a variety of models; some of the items will not necessarily apply to your appliance.

PROBLEM

POSSIBLE CAUSE/SOLUTION

INSTALLATION

Range is not level.

Poor installation. See the suggested levelling instruction in the "General Information" section of this manual. When oven is level, cooktop may not appear to be level with countertop if the latter is not level.

Be sure floor is level and can adequately support range. Contact carpenter to correct sagging or sloping floor.

Kitchen cabinets misalignment may make range appear to be unlevel. Be sure cabinets are square and have sufficient room for range clearance (1.3 cm (1/2") each side).

RANGE DOES NOT OPERATE

Entire range does not operate.

House fuse has blown or circuit breaker has tripped. Check and/or replace fuse or reset circuit breaker.

Cord/plug not plugged into wall outlet. Make sure cord plug is plugged tightly into outlet (Canada only).

Power outage. Check house lights to be sure.

Oven does not operate.

No power to range. See steps "Entire range does not operate" above.

Oven selector control knob (some models) set between two positions. Turn selector control knob to BAKE or BROIL, etc. and make sure surface signal lights turn on.

Make sure the oven temperature control knob is set to the desired temperature.

Oven control beeps and displays -F1-, -F3- or -F9-. Electronic control has detected a fault condition. Push the CANCEL pad to clear the display and stop the beeping. Reprogram the oven. If fault recurs, record the fault number push the CANCEL pad and contact an authorized servicer.

Oven timer set on "time bake" function. Cancel the time bake function.

Avoid Service Checklist (continued)

PROBLEM

POSSIBLE CAUSE/SOLUTION

RANGE DOES NOT OPERATE

Surface elements do not heat.

No power to range. Check steps "Entire range does not operate" above.

Control knobs set too low. At very low heat settings of the control knobs, the surface signal light may come on; however, surface unit does not operate. Turn the control knob to a slightly higher setting until the elements start heating.

Coil elements not seated properly in terminals. Turn temperature control knobs to OFF. Pull out and lift up coil elements. Straighten terminals on end of coil element if necessary. Replace elements properly into the element block.

Incorrect surface control knob turned on. Make sure the correct surface control is on for the surface unit to be used.

The automatic lock off of the surface element is on (models with self-cleaning oven only). During the self-clean cycle, the surface elements, when used, are subjected to high heat. To ensure maximum element life, a safeguard locks off the use of the surface element during the self clean cycle. Once the oven cleaning cycle is complete and the oven door can be opened, the surface elements can be utilized. Cancel the self clean cycle.

Oven light does not work.

Burned-out light bulb. See "Oven Lamp" in the "General Information" section.

Control panel light does not operate (some models).

Lamp loose in sockets or burned-out. See Fluorescent Lamp in General Information section.

SURFACE UNITS

Surface elements too hot or too cold.

Raise or lower setting until proper amount of heat is obtained.

Use only flat bottom, evenly balanced, medium or heavy-weight cookware. Pans having a flat bottom heat better than warped pans. Cookware material affects heating. Heavy and medium weight pans heat evenly. Because light-weight pans heat unevenly, foods may burn easily.

Liquids boil at LOW setting of surface units.

Incorrect setting of the control knob. Turn control knob to a lower setting.

Cooking on right rear element. When the oven is operating, heated air escapes through the oven vent located directly under the right rear end coil element or little behind it. This will increase the heat input.

CERAMIC GLASS COOKTOP **(some models)**

Scratches or abrasions on cooktop surface.

See "Ceramic Glass Cooktop" section in "General Information" section.

NOTE: Clean sugary food spills on the heating surfaces as soon as possible, as these can cause cratering of these surfaces when hot.

Avoid Service Checklist (continued)

PROBLEM

POSSIBLE CAUSE/SOLUTION

POOR BAKING RESULTS

Baked foods too done or not done enough.

Actual oven temperature and cooking times may vary from recipe or box instruction. If this is a new range, temperatures may differ from your old range. Older ovens may drift in temperature. You may have to adjust your favorite recipe times and temperatures.

Use the pan size recommended in the recipe. Except when baking pies or breads, set the oven temperature control 13°C (25°F) lower when using glass pans.

Baked foods not evenly browned and/or raised.

A covered pan should not be used for baking, unless specified in the recipe. Foods baked in covered pans do not brown well.

Use clean, shiny pans. Blackened pans may cause burning of bottom. Use flat bottom pans. Warped pans may cause uneven baking.

If bottom of foods burns, raise the rack. If top of foods is too brown, lower the rack.

Baking time too long.

Frequently opening the oven door to check doneness. Oven temperature drops 10°C (18°F) or more each time door is opened. Set for shortest baking time and check baking process only at end of set time. Check baking progress through the window if available.

Placing a very large pan or several smaller pans very close together on one rack does not allow proper circulation of the oven air around the pans. A cookie sheet or sheet pan should not cover the entire oven rack. Allow at least 5.1 cm (2 in.) of space for air circulation on all sides of baking pan(s) and between pans and sides of the oven. When two racks are used, stagger pans so one is not directly above the other.

It will take approximately 10 minutes for the oven to reach the temperature setting. Better results will be obtained by pre-heating the oven before placing foods to be baked.

Oven steaming.

Moist foods may cause oven steaming. Cover the dish if appropriate for the food being cooked.

BROILING

Oven smokes excessively during broiling.

Open the door to the broil stop position.

Add 3 to 4 cups of water in the broiler pan to completely cover the bottom of the pan. Position food on grid and broil. The water catches the grease from the broiling food, cools the grease and reduces smoking.

Meat too close to the element. Lower the rack.

Remove excess fat from the meat. Slash remaining fat edges to prevent curling; do not cut into lean.

Always place the grid on the broiler pan with the slots down to allow grease to drip into the pan.

Grease has built up on oven surfaces. Regular cleaning is mandatory when broiling frequently. Old grease or food spatters cause excessive smoking.

Avoid Service Checklist (continued)

PROBLEM

POSSIBLE CAUSE/SOLUTION

SELF-CLEANING OVEN (SOME MODELS)

Self-clean cycle does not work.

Follow steps specified in this manual for appropriate settings of controls.

Door was not closed properly. Close door and start appropriate clean cycle again.

Soil not completely removed after self-cleaning cycle.

Failure to clean the bottom or front top of oven or door area, these surfaces get hot enough to burn on residue. Self cleaning of area underneath a closed door is not efficient. Clean these areas before the self-cleaning cycle is started. Burned on residue may be cleaned with a stiff nylon brush and water or nylon scrubber. Be careful not to damage the oven seal.

Clean cycle too short. Put oven through an additional cycle.

Check for temporary loss of power. Reset the controls and put the oven through another self-clean cycle.

Avoid Transportation Damage to your Range

If you have to move your range into/out of your residence or when moving to a new home, it is suggested that you take the following precautions:

1. Screw in the levelling legs under the range.
2. Remove the racks and other utensils from the oven, and from the lower drawer.
3. Use adhesive tape to firmly secure the door and the drawer to the side panels. Also attach the electric power cord in the same manner.
4. Use a two-wheeled dolly with strap and fasten the range to it. Cover the appliance with a heavy blanket to prevent scratches and dents.
5. Avoid pulling or pushing the control panel when moving the appliance.

Warranty Information

RANGE WARRANTY

Your range is protected by this warranty

	WARRANTY PERIOD	THROUGH OUR AUTHORIZED SERVICERS, WE WILL:	THE CONSUMER WILL BE RESPONSIBLE FOR:
FULL ONE-YEAR WARRANTY	One year from original purchase date	Pay all costs for repairing or replacing any parts of this appliance which prove to be defective in materials or workmanship.	Costs of service calls that are listed under NORMAL RESPONSIBILITIES OF THE CONSUMER. *
LIMITED 2ND-5TH YEAR WARRANTY (Glass Smoothtop, Seal & Elements)	Second through fifth years from original purchase date	Provide a replacement for any defective surface heating element, deteriorated rubberized-silicone seal (upswept models only), or glass smoothtop that cracks due to thermal breakage (not customer abuse).	Diagnostic and any transportation and labor costs which are required because of service.
LIMITED WARRANTY (Applicable to the State of Alaska)	Time periods listed above.	All of the provisions of the full and limited warranties above and the exclusions listed below apply.	Costs of the technician's travel to the home and any costs for pick up and delivery of the appliance required because of service.

In the **U.S.A.**, your appliance is warranted by Electrolux Home Products North America, a division of White Consolidated Industries, Inc. We authorize no person to change or add to any of our obligations under this warranty. Our obligations for service and parts under this warranty must be performed by us or an authorized Electrolux Home Products North America servicer. In **Canada**, your appliance is warranted by Electrolux Canada Corp.

*NORMAL RESPONSIBILITIES OF THE CONSUMER

This warranty applies only to products in ordinary household use, and the consumer is responsible for the items listed below:

1. Proper use of the appliance in accordance with instructions provided with the product.
2. Proper installation by an authorized servicer in accordance with instructions provided with the appliance and in accordance with all local plumbing, electrical and/or gas codes.
3. Proper connection to a grounded power supply of sufficient voltage, replacement of blown fuses, repair of loose connections or defects in house wiring.
4. Expenses for making the appliance accessible for servicing, such as removal of trim, cupboards, shelves, etc., which are not a part of the appliance when it was shipped from the factory.
5. Damages to finish after installation.
6. Replacement of light bulbs and/or fluorescent tubes (on models with these features).

EXCLUSIONS

This warranty does not cover the following:

1. CONSEQUENTIAL OR INCIDENTAL DAMAGES SUCH AS PROPERTY DAMAGE AND INCIDENTAL EXPENSES RESULTING FROM ANY BREACH OF THIS WRITTEN OR ANY IMPLIED WARRANTY.
NOTE: Some states do not allow the exclusion or limitation of incidental or consequential damages, so this limitation or exclusion may not apply to you.
2. Service calls which do not involve malfunction or defects in workmanship or material, or for appliances not in ordinary household use. The consumer shall pay for such service calls.
3. Damages caused by services performed by servicers other than Electrolux Home Products North America or its authorized servicers; use of parts other than genuine Electrolux Home Products parts; obtained from persons other than such servicers; or external causes such as abuse, misuse, inadequate power supply or acts of God.
4. Products with original serial numbers that have been removed or altered and cannot be readily determined.

IF YOU NEED SERVICE

Keep your bill of sale, delivery slip, or some other appropriate payment record. The date on the bill establishes the warranty period should service be required. If service is performed, it is in your best interest to obtain and keep all receipts. This written warranty gives you specific legal rights. You may also have other rights that vary from state to state. Service under this warranty must be obtained by contacting Electrolux Home Products:

USA
1•800•944•9044
 Electrolux Home Products
 North America
 P.O. Box 212378
 Augusta, GA 30917

Canada
1•866•294•9911
 Electrolux Home Products
 North America
 802, boul. L'Ange-Gardien
 L'Assomption, Québec
 J5W 1T6

This warranty only applies in the 50 states of the U.S.A., Puerto Rico, and Canada. Product features or specifications as described or illustrated are subject to change without notice. All warranties are made by Electrolux Home Products North America, a division of White Consolidated Industries, Inc. In **Canada**, your appliance is warranted by Electrolux Canada Corp.

Manuel d'utilisation et d'entretien

Cuisinières *électriques*

CONTENU

Page

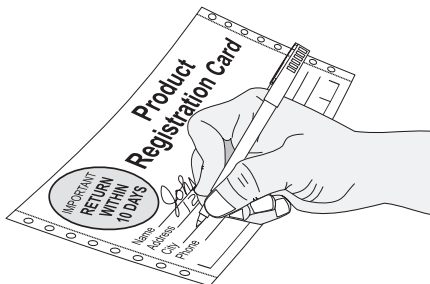
Enregistrement du produit	2
Mesures de sécurité importantes	3-4
Instructions d'installation	5-6
Lampe du four	6
Lampe de surface	6
Coupe-circuit de protection	7
Réglage des commandes des foyers de surface	7
Choix des ustensiles de cuisine pour la cuisson sur les foyers	7
Casseroles et sous-plats particuliers	8
Conseils et renseignements sur la mise en conserve	8
Voyants lumineux	9
Modèles avec minuterie à touches capacitives	9
Cuisson au four	9
Circulation d'air dans le four	10
Cuisson par convection	10
Rôtissage par convection	10
Système de cuisson rapide (certains modèles)	11
Cuisson au grill	12
Réglage du four	12
Surface de cuisson vitrocéramique	13-16
Nettoyage de l'appareil	17-20
Enlever et réinstaller la porte	20
Porte avec vitre extérieure démontable	21
Retirer/replacer le tiroir de rangement	21
Tiroir-Réchaud (certains modèles)	22-23
Liste des vérifications préventives	24-27
Garantie	28

Consultez notre site web Frigidaire à:
<http://www.frigidaire.com>

Enregistrement du produit

Enregistrez votre appareil

La CARTE D'ENREGISTREMENT doit être remplie avec soin, puis signée et retournée à la compagnie Produits Electrolux Nord-Américains.



Merci d'avoir choisi cet appareil. Les renseignements contenus dans ce **Guide de l'utilisateur** expliquent comment utiliser et entretenir l'appareil. Lisez les documents qui accompagnent l'appareil pour en savoir davantage sur cet appareil.

Enregistrez les numéros de modèle et de série de votre appareil

Écrivez ci-dessous ces numéros que vous trouverez sur la plaque signalétique qui se trouve sur le cadre avant de la cuisinière et qui est visible lorsque le tiroir est ouvert.

Numéro de modèle: _____

Numéro de série: _____

Date d'achat: _____

Ce guide donne des instructions générales pour votre appareil et des renseignements s'appliquant à plusieurs modèles. Votre appareil peut ne pas avoir toutes les caractéristiques décrites. Les figures montrées dans ce manuel sont représentatives et peuvent ne pas illustrer identiquement les caractéristiques de votre appareil.

Note: Les instructions données dans ce guide ne couvrent pas toutes les conditions et situations possibles. Faites preuve de bon sens et de prudence lors de l'installation, de l'emploi et de l'entretien de tout appareil ménager.

Important: Garder votre facture.

La période de la garantie débute à la date indiquée. Placez-la dans un endroit où vous la retrouverez facilement. Si vous devez faire réparer votre appareil alors qu'il est sous garantie, on pourrait exiger de voir votre facture.

MESURES DE SÉCURITÉ IMPORTANTES

Lisez ces instructions avant d'utiliser l'appareil.
Conservez ces instructions pour références futures.

Ce guide contient des instructions et symboles de sécurité importants. Veuillez faire particulièrement attention à ces symboles et suivre les instructions données. Voici une brève explication de ces symboles.

⚠️ AVERTISSEMENT Ce symbole vous prévient des situations qui risquent d'entraîner de graves blessures, la mort ou des dommages matériels.

⚠️ ATTENTION Ce symbole vous prévient des situations pouvant entraîner des blessures ou dommages matériels.

- **Enlevez tout le ruban et le matériau d'emballage avant d'utiliser la cuisinière. Détruisez le cartonnage et les sacs en plastique après le déballage de l'appareil.** Ne laissez jamais les enfants jouer avec les matériaux d'emballage.
- **Installation – Assurez-vous que l'appareil est correctement installé et mis à la terre par un technicien qualifié, conformément à la dernière édition de la norme C22.1 de l'ACNOR, code canadien de l'électricité, partie 1, ainsi qu'aux codes de la région.** N'installez l'appareil que selon les instructions d'installation fournies dans la documentation.

Demandez à votre marchand de vous recommander un technicien qualifié ainsi qu'un centre de réparation autorisé. Sachez comment couper le courant électrique de la cuisinière à la boîte de fusibles ou au coupe-circuit en cas d'urgence.
- **Entretien par l'utilisateur – Ne réparez pas ou ne remplacez pas des pièces de l'appareil à moins d'une recommandation précise dans les guides.** Toutes les réparations doivent être faites par un technicien qualifié, afin de réduire les risques de blessure et de dommage à l'appareil.
- **Ne modifiez jamais l'appareil, que ce soit en enlevant des panneaux, protége-fils, ou toute autre pièce.**

⚠️ AVERTISSEMENT Il peut être dangereux pour les personnes ou dommageable pour l'appareil de monter, s'appuyer, ou s'asseoir sur la porte ou le tiroir de la cuisinière. Ne permettez pas aux enfants de grimper ou de jouer autour de la cuisinière. Le poids d'un enfant sur une porte ouverte peut faire basculer l'appareil et causer des brûlures ou d'autres blessures.

⚠️ AVERTISSEMENT N'utilisez pas la cuisinière pour entreposer des articles.

- **Rangement dans ou sur l'appareil – Ne rangez pas dans le four, ou près des éléments, ou dans le tiroir de l'appareil, des matériaux inflammables.** Ceci inclut des papiers, plastiques, tissus, livres de cuisine, objets en plastique et torchons, ainsi que des liquides inflammables. N'y posez pas ou ne rangez pas des produits explosifs comme une bombe aérosol. Les produits inflammables pourraient exploser et allumer un feu ou causer des dommages matériels.

⚠️ ATTENTION Ne rangez pas des articles pouvant intéresser les enfants dans les armoires au-dessus de la cuisinière ou sur le dossier. Ne laissez pas les enfants grimper sur l'appareil pour saisir des articles, ceci pourrait leur causer des blessures graves.

- **Ne laissez pas les enfants seuls ou sans surveillance dans un lieu où un appareil fonctionne.** Ne les laissez jamais s'asseoir ou se tenir debout sur une pièce quelconque de l'appareil.

- **NE TOUCHEZ PAS AUX ÉLÉMENTS DE SURFACE, AUX ZONES À PROXIMITÉ DE CEUX-CI, AUX ÉLÉMENTS DU FOUR, OU AUX SURFACES INTÉRIEURES DU FOUR.** Les éléments de surface et ceux du four peuvent être très chauds, même s'ils sont de couleur foncée. Les zones près des éléments de surface peuvent devenir suffisamment chaudes pour causer des brûlures. Pendant et après toute utilisation, ne touchez pas et ne laissez pas vos vêtements ou d'autres produits inflammables venir en contact avec ces zones, à moins qu'elles aient eu le temps de se refroidir. Ces zones comprennent la surface de cuisson, les surfaces orientées vers elle, la sortie d'air chaud du four et les zones à proximité, la porte du four et la fenêtre.

- **Portez des vêtements appropriés—Ne portez jamais de vêtements amples ou flottants en utilisant cet appareil.** Ne laissez pas les matériaux inflammables et les vêtements venir en contact avec des surfaces chaudes.

⚠️ AVERTISSEMENT N'utilisez jamais votre appareil pour réchauffer ou chauffer une pièce.

- **N'éteignez pas les feux de friture avec de l'eau ou de la farine—Étouffez les feux avec un couvercle ou du bicarbonate de soude, ou avec un extincteur à poudre sèche ou à mousse.**
- **En chauffant de l'huile ou de la graisse, restez près de l'appareil.** La graisse ou l'huile peuvent prendre feu si elles devenaient trop chaudes.
- **N'utilisez que des gants isolants secs—Des gants mouillés ou humides en contact avec des surfaces chaudes peuvent causer des brûlures par la vapeur.** Ne laissez pas les gants isolants toucher les éléments. Ne vous servez pas de torchon ni de chiffon à la place d'un gant.
- **Ne réchauffez pas des contenants non ouverts—l'accumulation de pression peut faire exploser le contenant et blesser.**
- **Enlevez la porte de toute cuisinière inutilisée qui doit être entreposée ou mise aux rebuts.**
- **IMPORTANT—N'essayez pas de faire fonctionner la cuisinière pendant une panne de courant. Lorsqu'il se produit une panne de courant, éteignez toujours le four.** Si ce dernier n'est pas éteint, il recommencera à chauffer lorsque le courant reviendra. Les aliments laissés sans surveillance pourraient prendre feu ou se détériorer.

⚠️ ATTENTION Les températures froides peuvent endommager le contrôleur électronique. Si c'est la première fois que vous faites fonctionner la cuisinière, ou qu'elle n'a pas été utilisée depuis longtemps, assurez-vous que celle-ci a été exposée à une température au dessus de 0°C/32°F pendant au moins 3 heures avant de mettre l'appareil sous tension électrique.

MESURES DE SÉCURITÉ IMPORTANTES (suite)

INSTRUCTIONS DE SÉCURITÉ IMPORTANTES POUR L'UTILISATION DE VOTRE SURFACE DE CUISSON

- **Vous devez savoir quel bouton commande chacun des éléments de la surface de cuisson.**
- **Utilisez la grosseur de casserole appropriée** – Cet appareil est équipé d'un ou de plusieurs éléments de différentes grosseurs. Choisissez les ustensiles ayant un dessous plat assez large pour recouvrir l'élément chauffant. Si vous utilisez des ustensiles trop petits, une partie de l'élément sera à découvert, et les vêtements entrant directement en contact avec l'élément sont susceptibles de prendre feu. L'utilisation d'ustensiles d'une taille proportionnelle à l'élément améliore aussi le rendement.
- **Les poignées d'ustensiles doivent être tournées vers l'intérieur, sans surplomber les éléments adjacents**, afin de réduire les risques de brûlure, de combustion et de renversements causés par le contact involontaire avec un ustensile.
- **Ne laissez jamais les éléments sans surveillance.** Les débordements causent de la fumée, les éclaboussures de graisse sont susceptibles de prendre feu et les ustensiles dont le contenu s'est évaporé peuvent fondre.
- **Protecteurs** – N'utilisez pas de papier d'aluminium pour recouvrir le fond du four ou toute autre partie de la cuisinière. Utilisez seulement le papier d'aluminium pour recouvrir la nourriture durant la cuisson au four. Toute autre utilisation de protecteurs ou de papier aluminium est susceptible de causer un choc électrique, un feu ou un court-circuit.
- **Ustensiles vitrifiés** – En raison des brusques changements de température, on ne peut utiliser avec la surface de cuisson que certains ustensiles en verre, en vitrocéramique, en céramique ou en terre cuite, ou autres ustensiles vitrifiés, sans risquer qu'ils se fendent. Vérifiez les recommandations du fabricant quant à leur utilisation sur une surface de cuisson.

POUR SURFACE DE CUISSON VITROCÉRAMIQUE SEULEMENT

- **Ne cuisinez pas sur une plaque de cuisson brisée.** Si la plaque se brise, les solutions nettoyantes et les éclaboussures peuvent pénétrer dans la plaque de cuisson brisée, et créer un risque de choc électrique. Communiquez avec un technicien qualifié immédiatement.
- **Nettoyez soigneusement la plaque de cuisson.** Si une éponge ou un chiffon humide est utilisé pour essuyer des renversements sur une surface chaude, faites attention afin d'éviter de vous brûler par la vapeur. Certains nettoyeurs peuvent produire de la fumée nocive s'ils sont appliqués sur une surface chaude.

INSTRUCTIONS IMPORTANTES POUR L'UTILISATION DE VOTRE FOUR

- **Soyez prudent en ouvrant la porte du four** – Tenez-vous sur le côté de l'appareil pour ouvrir la porte d'un four chaud. Laissez d'abord l'air chaud ou la vapeur s'échapper avant de retirer ou de placer des aliments dans le four.

- **Ne bloquez pas les orifices d'aération.** La ventilation du four se produit à travers la surface de cuisson. Toucher les surfaces de cette zone pendant le fonctionnement du four peut causer de graves brûlures. Ne placez aucun objet en plastique ou conducteur de chaleur à proximité de l'évent. Ils risquent de fondre ou de prendre feu.
- **Installation des grilles du four.** Disposez toujours les grilles à l'emplacement désiré lorsque le four est froid. Enlevez tous les ustensiles qui se trouvent sur la grille avant de la retirer. Pour déplacer une grille lorsque le four est chaud, soyez extrêmement prudent. Utilisez des poignées et tenez la grille fermement avec les deux mains pour la remettre en place. Ne touchez pas l'élément chaud ou l'intérieur du four avec des poignées.
- **Ne vous servez pas de la lèchefrite sans utiliser le couvercle qui l'accompagne.** Le couvercle permet à la graisse de s'égoutter au fond de la lèchefrite, à l'abri de la chaleur intense du grill.
- **Ne recouvrez pas le couvercle de la lèchefrite de papier d'aluminium.** L'huile et la graisse qui s'y accumulent peuvent prendre feu.
- **Ne touchez pas l'ampoule du four avec un linge mouillé pendant qu'elle est chaude.** Si vous le faites, elle risque de se briser. Débranchez l'appareil ou coupez le courant avant d'enlever l'ampoule et de la remplacer.

INSTRUCTIONS IMPORTANTES POUR LE NETTOYAGE DE VOTRE CUISINIÈRE

- **Nettoyez régulièrement votre cuisinière pour enlever la graisse sur toutes ses parties, car cette graisse risque de prendre feu.** Le ventilateur d'évacuation des hottes et les filtres de graisse doivent demeurer propres en tout temps. Ne laissez pas la graisse s'y accumuler. Les accumulations de graisse dans le ventilateur pourraient prendre feu. Reportez-vous aux instructions du fabricant sur le nettoyage de la hotte.
- **Nettoyants/Aérosols** – Suivez toujours les recommandations du fabricant, quant à leur utilisation. Sachez que les résidus excessifs de nettoyeurs et d'aérosols risquent de prendre feu et de causer des dommages et/ou des blessures.

FOURS AUTONETTOYANTS:

- **Ne nettoyez dans le cycle autonettoyant que les parties du four énumérées dans le présent Guide de l'utilisateur.** Avant d'utiliser le cycle autonettoyant, enlevez la lèchefrite et tout ustensile se trouvant dans le four.
- **Ne nettoyez pas le joint d'étanchéité de la porte.** Faites attention pour ne pas le froter, l'endommager ou le déplacer.
- **N'utilisez pas de nettoyeur commercial pour four.** Vous ne devez utiliser aucun nettoyeur commercial pour four, ni aucun enduit protecteur à l'intérieur ou sur toute partie du four.
- **Retirez les grilles du four.** Les grilles changeront de couleur si elles sont laissées dans le four durant un cycle d'autonettoyage.

⚠ ATTENTION Certains oiseaux sont très vulnérables aux gaz dégagés lors du nettoyage des fours auto-nettoyants; ils doivent être placés dans une autre pièce, bien aérée.

CONSERVEZ CES INSTRUCTIONS

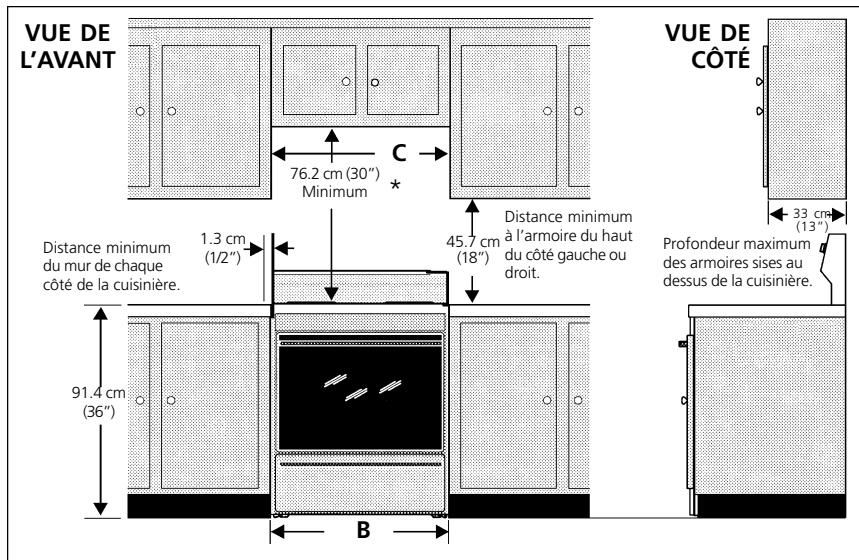
Instructions d'installation

L'installation et le service doivent être exécutés par un technicien qualifié.

Important: conservez ce document pour le présenter à l'inspecteur local d'électricité s'il le demande. Lisez et conservez ce document pour référence.

Espaces prévus et dimensions

- Laissez suffisamment d'espace entre la cuisinière et les surfaces combustibles adjacentes (1.3cm (1/2")) sur les côtés et à l'arrière).
- Endroit – Vérifiez l'endroit où la cuisinière sera installée. Assurez-vous qu'il y a une source d'alimentation électrique adéquate et que le plancher est solide.
- Les dimensions qui sont données doivent être respectées. Ces dimensions allouent un minimum de jeu. Les surfaces en contact doivent être solides et de niveau.

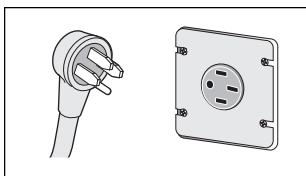


MODÈLES	DIMENSIONS		
	A	B	C
24"	61cm 24"	63.5 cm 25"	61 cm 24"
30"	76.2 cm 30"	78.7 cm 31"	76.2 cm 30"

Le diagramme illustre les dimensions A, B et C de la cuisinière. La dimension A est la largeur de la cuisinière, indiquée comme 66 cm (26"). La dimension B est la largeur de la cuisinière, indiquée comme 114.3 cm (45") pour la porte ouverte. La dimension C est la profondeur de la cuisinière, indiquée comme 91.4 ± 0.3 cm (36 ± 1/8"). La hauteur maximale de la cuisinière est indiquée comme 122 cm (48").

* Espace minimum de 76,2 cm (30") entre le dessus de la surface de cuisson et le dessous d'une armoire en bois ou en métal non protégée, ou espace minimum de 61 cm (24") si le fond de l'armoire en bois ou en métal est protégé par un panneau résistant au feu d'au moins 0.64 cm (1/4") recouvert d'une feuille d'acier doux dont l'épaisseur est au moins de 0.038 cm (0.015") si en acier inoxydable, de 0.061 cm (0.024") si en aluminium ou de 0.051cm (0.020") si en cuivre. Un espace de 1.3 cm (1/2") minimum pour l'arrière et les côtés de la cuisinière est requis. Respectez toutes les dimensions indiquées ci dessus afin d'éviter des dommages à la propriété, de créer un danger potentiel d'incendie et de faire des découpages incorrects du comptoir et de l'armoire.

Évitez d'ajouter des espaces de rangement au-dessus de l'appareil pour éliminer tout risque de brûlures ou de feu en vous penchant au-dessus de surfaces chaudes pour prendre des objets. Si des espaces de rangement doivent être ajoutés, les risques peuvent être réduits en installant une hotte qui excède le devant de l'armoire d'au moins 12.7 cm (5").



Branchement

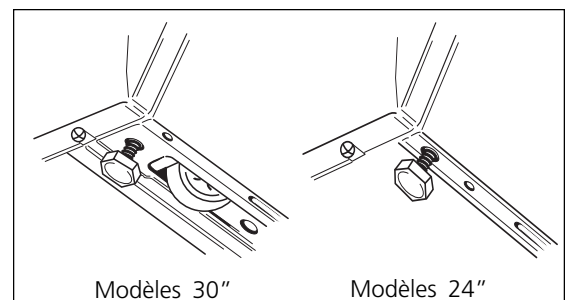
Cet appareil nécessite une alimentation électrique de 120/240 ou 120/208 volts correctement mise à la terre. Branchez le câble d'alimentation de la cuisinière à une prise murale. S'il n'y a pas, faites-en installer une par un maître électricien.

Emplacement

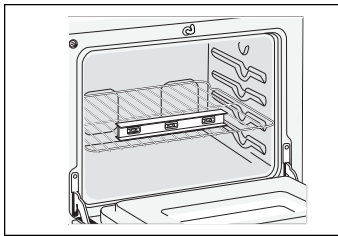
Installez votre nouvelle cuisinière à 1.3 cm (1/2") du mur arrière et alignez-la avec les comptoirs de la cuisine. Assurez-vous qu'un espace libre de 1.3 cm (1/2") est conservé entre les côtés de la cuisinière et les comptoirs. Espacez votre cuisinière d'au moins 7.6 cm (3") minimum de votre réfrigérateur s'ils sont côte à côte.

Nivellement

Pour obtenir de bons résultats de cuisson, votre cuisinière doit être de niveau. Des vis de nivellement sont installées aux quatre coins inférieurs de la cuisinière. Pour les ajuster, retirez le tiroir de rangement. (Voir section Tiroir de rangement).



Instructions d'installation (suite)

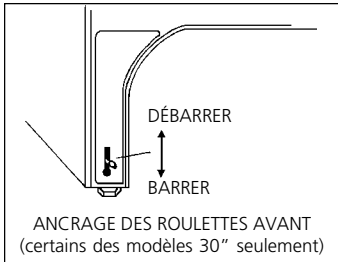


Pour mettre la cuisinière de niveau:

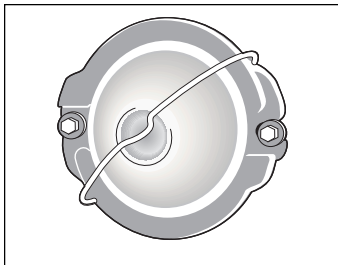
1. Utilisez une clé ouverte de 1-1/4" ou une clé à molette pour dévisser chacune des quatre vis de nivellement de deux à trois tours.
2. Installez une des grilles dans le centre du four.
3. Installez la cuisinière à son emplacement final et déposez le niveau à bulle sur la grille pour vérifier si le niveau est acceptable. Prenez deux lectures, une avec le niveau placé en diagonale dans le four et l'autre lecture dans l'autre diagonale.
4. Utilisez la clé 1-1/4" pour ajuster les vis de nivellement. Tournez chacune d'elles jusqu'à ce que l'appareil soit assis fermement sur le plancher sans se balancer.
5. Certains appareils sont supportés par des roulettes à roulement doux qui servent à en faciliter le déplacement.

Si le plancher est d'aplomb et de niveau, ouvrez le tiroir et abaissez les leviers d'ancrage des roulettes avants pour empêcher la cuisinière de se déplacer (certains modèles).

Si le plancher n'est pas plat ou de niveau, servez-vous des vis de nivellement pour mettre l'appareil de niveau et le supporter.



Lampe du four



ATTENTION Ne laissez pas la lampe du four allumée pendant le cycle d'autonettoyage. Les hautes températures réduiront sa longévité.

Pour certains modèles, la lampe à l'intérieur du four s'allume automatiquement en ouvrant la porte. La lampe peut être allumée, alors que la porte est fermée, grâce à l'interrupteur situé sur ou sous le panneau de commandes.

Si le four est autonettoyant, la lampe est protégée par un protège-lampe en verre retenu par une broche.

CE PROTÈGE-LAMPE DOIT ÊTRE EN PLACE LORS DE L'UTILISATION DU FOUR.

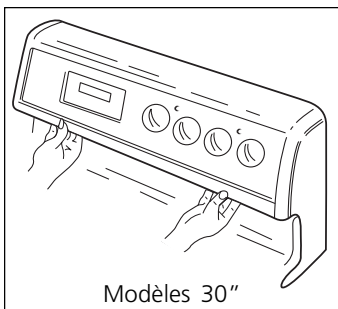
Pour remplacer la lampe:

ATTENTION ASSUREZ-VOUS QUE LE FOUR EST SUFFISAMMENT REFROIDI.

1. Coupez la source d'alimentation électrique de l'appareil.
2. Utilisez des gants avec face intérieure en cuir comme mesure de sécurité au cas où l'ampoule se briserait en la dévissant.
3. Remplacez l'ampoule par une autre de 40 watts conçue pour appareils électroménagers.
4. Si le four est autonettoyant, poussez la broche de côté pour libérer le protège-lampe, changez la lampe tel qu'expliqué ci-haut et assurez-vous que le protège-lampe est remis en place.

Lampe de surface (certains modèles)

ATTENTION Assurez-vous que tous les boutons de commande des foyers de la surface de cuisson sont à la position ARRÊT "●" et froids.



Actionnez l'interrupteur situé sur ou sous le panneau de commandes, du côté droit, pour allumer ou éteindre la lampe de surface. Remplacez la lampe fluorescente si elle refuse de s'allumer après plusieurs essais.

Lampe de surface installée sous le panneau de commande (certains modèles)

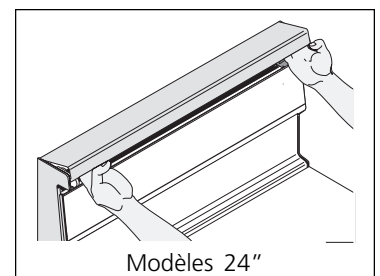
Pour la remplacer:

1. Placez vos doigts sous la lampe à environ 20.3 cm (8") des deux extrémités.
2. Faites tourner le tube de 90° et le tirer vers le bas hors des réceptacles.
3. Installez le nouveau tube en l'insérant dans les guides des réceptacles et tournez-le pour l'engager en position de fonctionnement; vérifiez si la lampe fonctionne correctement.

Lampe de surface installée sur le panneau de commande (certains modèles)

Pour la remplacer:

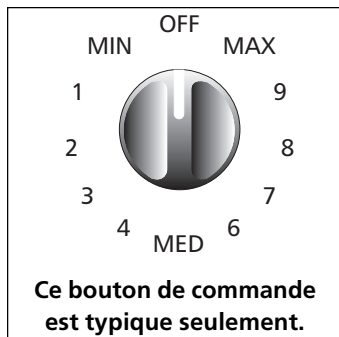
1. Soulevez le panneau de commande.
2. Placez vos doigts sous la lampe à environ 20.3 cm (8") des deux extrémités.
3. Faites tourner le tube de 90° et le tirer vers le bas hors des réceptacles.
4. Installez le nouveau tube en l'insérant dans les guides des réceptacles et tournez-le pour l'engager en position de fonctionnement; vérifiez si la lampe fonctionne correctement.



Coupe-circuit de protection

Comme protection en cas de surcharge, chacune des prises de courant (2 max.) qui se trouvent au dessus du panneau de commandes est protégée par un fusible de 15 ampères, 120 volts. Pour les apercevoir, soulevez le couvercle qui se trouve au dessus du panneau de commandes. Aucun fusible ne sera fourni si l'appareil ne comprend pas de prise de courant.

Réglage des commandes des foyers de surface



1. Placez le plat sur le foyer.
2. Enfoncez et tournez le bouton de commande du foyer au réglage désiré.
3. La/les lampes témoins des foyers s'allument lorsqu'un ou plusieurs foyers sont utilisés. Éteignez toujours le foyer avant d'en retirer le plat.

Les réglages suggérés dans le tableau ci-dessous ont été obtenus en utilisant des plats en aluminium d'épaisseur moyenne ou élevée pour la cuisson, avec leur couvercle en place. Ces réglages peuvent être différents lorsque d'autres types de plats sont utilisés.

Remarque: La grosseur et le type d'ustensile utilisé, en plus de la quantité et du type d'aliment à cuire influenceront le réglage nécessaire pour obtenir de bons résultats culinaires.

ATTENTION Ne déposez pas d'objets en plastique tels que salières et poivrières, supports à cuillères ou emballages en plastique sur la surface de cuisson lorsqu'elle est utilisée. Ces items peuvent prendre en feu ou fondre. Les poignées, serviettes ou cuillères en bois peuvent prendre en feu s'ils sont trop près des foyers.

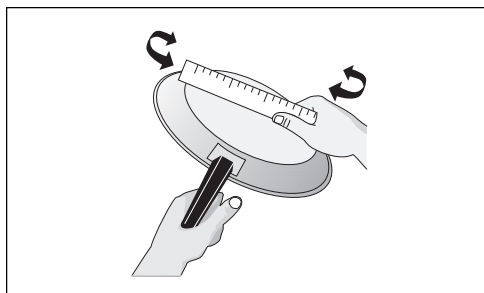
BLOCAGE AUTOMATIQUE DES ÉLÉMENTS DE SURFACE (modèles 30" avec four autonettoyant seulement)

Les éléments de surface sont exposés à des températures élevées s'ils sont utilisés alors que le four fonctionne en mode autonettoyant. Pour maximiser la durée de vie des éléments de surface, un système de protection les rend hors d'usage pendant le cycle d'autonettoyage du four. Les éléments de surface redeviennent fonctionnels lorsque le cycle de nettoyage est complété et que la porte du four peut être ouverte.

Réglage	Type de cuisson
Haut (MAX)	Pour débiter la cuisson, pour faire bouillir de l'eau, pour faire griller de la viande.
Moyen (MED)	Pour garder l'eau en ébullition, épaissir les sauces, cuire les légumes à la vapeur.
Moyen à faible	Pour compléter la cuisson, faire cuire des oeufs pochés ou du ragoût.
Faible (MIN)	Pour garder chaud, fondre ou faire mijoter.

Choix des ustensiles de cuisine pour la cuisson sur les foyers

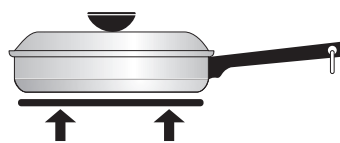
Pour obtenir de bons résultats et conserver l'énergie, choisissez des ustensiles de cuisine possédant les caractéristiques suivantes:



Le fond des casseroles doit être plat. Vérifiez que le fond est plat en faisant tourner une règle sur le fond de la casserole. Il ne devrait pas y avoir d'espace entre la casserole et la règle.

Utilisez toujours les ustensiles pour l'usage auquel ils ont été conçus. Suivez les instructions du fabricant. Certains ustensiles de cuisine ne peuvent être utilisés au four ou sur les foyers.

*BON



- Fond plat et côtés droits.
- Couvercles qui ferment hermétiquement.
- Le poids du manche ne fait pas basculer la casserole. La casserole est bien équilibrée.
- Les tailles des casseroles correspondent à la quantité d'aliments à faire cuire.
- Matériau qui conduit bien la chaleur.
- Facile à nettoyer.

* Il est possible d'utiliser des ustensiles de cuisine spéciaux comme les casseroles à homard, les plaques chauffantes et les autocuiseurs en s'assurant toutefois, qu'ils sont conformes aux exigences ci-dessus.

MAUVAIS

- Fonds incurvés et déformés.



- La casserole déborde du brûleur de plus de 2.5 cm (1").



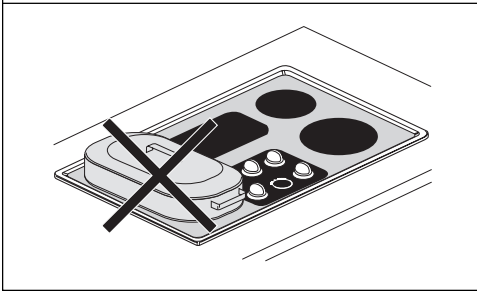
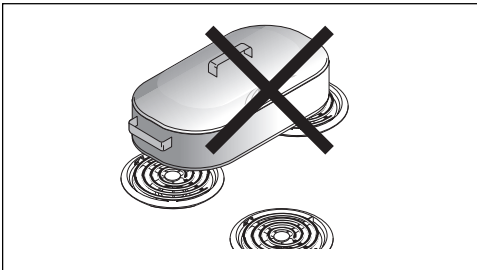
- Manche trop lourd qui fait basculer la casserole.



- Le foyer déborde des bords de la casserole.



Casseroles et sous-plats particuliers

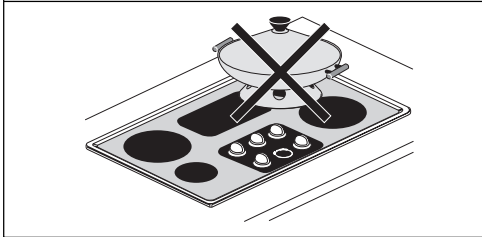


La plupart des boutiques d'articles de cuisine et des quincailleries offrent des **woks** à fond plat qui conviennent à cette surface de cuisson. Les woks à fond rond (pourvus d'un anneau de support qui ne dépasse pas le contour de l'élément chauffant) peuvent également être utilisés. L'anneau métallique est conçu pour soutenir le wok de façon sécuritaire lorsqu'il contient une grande quantité de liquide (soupe) ou de graisse (friture).

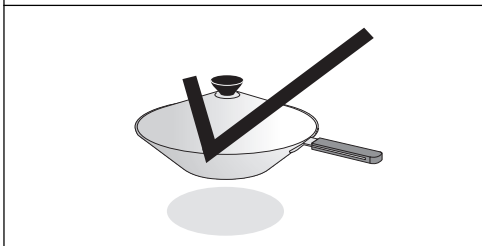
ATTENTION NE PAS utiliser deux éléments (sauf si la table de cuisson est munie d'un élément allongé) à la fois pour chauffer une grande casserole comme une rôtissoire ou une plaque chauffante, ni laisser chauffer l'ustensile jusqu'à ce que tout le liquide s'évapore. Dans ces deux cas, le fond de la casserole risquerait de décolorer ou de craqueler la surface émaillée de l'appareil et d'endommager les éléments de surface ou la cuvette de l'élément (s'il y a lieu).

Sous-plats métalliques : Ne pas utiliser de sous-plats métalliques. Le fond de la casserole doit être en contact direct avec les éléments de surface.

NE PAS utiliser un wok pourvu d'un anneau métallique de support qui dépasse le contour de l'élément de surface. Étant donné que cet anneau retient la chaleur, il pourrait endommager l'élément de surface ou la surface de cuisson.



Dans le cas des surfaces lisses en verre, seuls les woks à fond plat (sans anneau de support) peuvent être utilisés.



Conseils et renseignements sur la mise en conserve

ATTENTION La mise en conserve peut générer une grande quantité de vapeur. User d'une grande prudence pour prévenir les blessures. Toujours soulever le couvercle de façon à diriger la vapeur à l'opposé des personnes.



1. Utiliser des recettes éprouvées et suivre les directives attentivement. Consulter un service de vulgarisation agricole ou un fabricant de bocaux en verre pour les données les plus récentes sur la mise en conserve.
2. Utiliser uniquement des casseroles de mise en conserve à fond plat. La chaleur se répartit plus uniformément lorsque le fond de la casserole est plat.
3. Centrer la casserole de mise en conserve sur l'élément de surface.
4. Verser de l'eau chaude dans la casserole et régler l'élément à une température élevée pour accélérer l'ébullition; réduire la température le plus possible tout en maintenant une ébullition constante.
5. Il est préférable de mettre de petites quantités d'aliments en conserve à la fois.

ATTENTION Pour ne pas endommager la surface de cuisson :

1. Ne pas utiliser les grandes casseroles ou les autocuiseurs de mise en conserve qui dépassent de plus de 2,5 cm (1") le contour de l'élément de surface.
2. Ne pas laisser les grandes casseroles ou les autocuiseurs de mise en conserve à une température élevée trop longtemps.
3. Utiliser un élément différent pour chaque nouvelle charge de mise en conserve pour permettre à l'élément et à la surface avoisinante de refroidir. Éviter d'utiliser le même élément pendant toute une journée pour la mise en conserve.

ATTENTION Pour que la mise en conserve soit sécuritaire, les micro-organismes dangereux doivent être détruits et les pots bien scellés. Lorsqu'une grande casserole de mise en conserve est utilisée, il faut maintenir une ébullition légère mais constante pendant toute la durée requise.

Voyants lumineux

Certains modèles possèdent un voyant pour chacun des foyers, d'autres en possède un pour chaque paire de foyers.

Le voyant devient lumineux aussitôt qu'un foyer est allumé. Vérifiez si le voyant devient lumineux aussitôt que vous tournez chacun des boutons des commandes de foyer. Si le bouton est réglé à un très faible réglage de chaleur, le voyant peut s'allumer même si aucune chaleur n'est produite par le foyer. Si cela se produit, tournez le bouton à un réglage plus élevé, jusqu'à ce que le foyer commence à chauffer.

Quand la cuisson est terminée, jetez un coup d'oeil rapide aux voyants; c'est un moyen facile de vous assurer que tous les boutons de commande ont été tournés au repère **ARRÊT "●"**.

Modèles avec minuterie à touches capacitives (seulement)






NOTE: Lorsque que le four est en fonction soit: pour la cuisson au four, la cuisson par convection, le grillage ou pour le cycle autonettoyant, un ventilateur démarre et arrête automatiquement afin de refroidir des pièces internes de l'appareil. C'est normal et il est possible que ce ventilateur continue de fonctionner même si le four est à la position arrêt.

Cuisson au four

Afin d'obtenir de meilleurs résultats de cuisson, réchauffez le four avant d'y faire cuire des biscuits, pains, gâteaux, tartes ou pâtisseries, etc. Il n'est pas nécessaire de préchauffer le four pour cuire un rôti ou pour cuire dans une casserole.

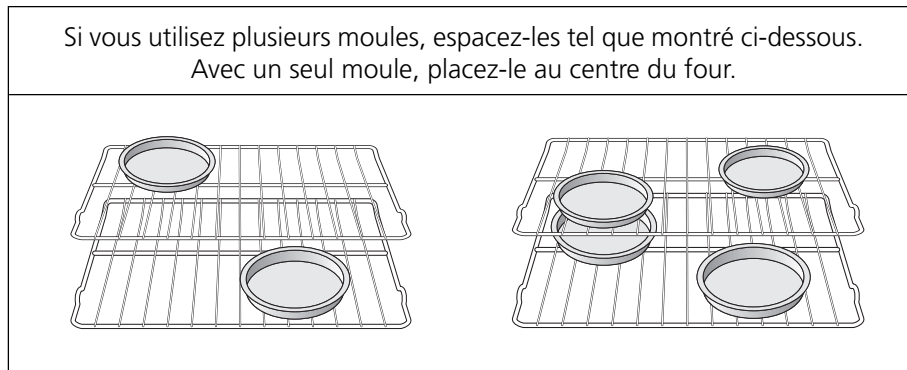
Les durées et températures de cuisson nécessaires pour faire cuire une denrée au four peuvent varier légèrement par rapport aux temps requis avec votre ancienne cuisinière.

Tableau des Problèmes de cuisson au four et de leurs Solutions

Problème de cuisson au four	Causes	Solutions
Le fond des petits gâteaux et biscuits est brûlé. 	<ul style="list-style-type: none"> Petits gâteaux et biscuits mis au four avant la fin du préchauffage. Grille du four surchargée. Un moule foncé absorbe la chaleur trop rapidement. 	<ul style="list-style-type: none"> Laissez le four se réchauffer à la température voulue avant d'y placer les aliments. Choisir des tailles de moule qui laisseront dans le four 5.1 à 10.2 cm (2" à 4") d'espace libre tout autour du moule. Utilisez une tôle à biscuit en aluminium d'épaisseur moyenne.
Gâteaux trop dorés sur le dessus ou le dessous. 	<ul style="list-style-type: none"> Gâteaux mis au four avant la fin du préchauffage. Grille placée trop haute ou trop basse dans le four. Four trop chaud. 	<ul style="list-style-type: none"> Laissez le four préchauffer à la température voulue avant d'y placer les aliments. Utilisez la position de grille appropriée pour la cuisson. Réglez la température du four à 25°F (12°C) de moins que suggéré.
Gâteaux pas assez cuits au centre. 	<ul style="list-style-type: none"> Four trop chaud. Taille de moule incorrecte. Moule non centré dans le four. 	<ul style="list-style-type: none"> Réglez la température du four à 25°F (12°C) de moins que prévu. Utilisez la taille de moule suggérée dans la recette. Utilisez la position de grille appropriée et placez le moule pour qu'il y ait 5.1 à 10.2 cm (2" à 4") d'espace tout autour.
Les gâteaux ne sont pas d'épaisseur égale. 	<ul style="list-style-type: none"> La cuisinière n'est pas de niveau. Moule trop près de la paroi du four ou grille surchargée. Moule déformé. 	<ul style="list-style-type: none"> Placez une tasse à mesurer en verre, remplie d'eau, au centre de la grille du four. Si le niveau d'eau est inégal, veuillez consulter les instructions d'installation pour mettre la cuisinière de niveau. Veillez à conserver dans le four 5.1 à 10.2 cm (2" à 4") d'espace libre tout autour du moule. N'utilisez pas de moules bosselés ou déformés.
Les aliments ne sont pas assez cuits à la fin de la durée de cuisson prévue. 	<ul style="list-style-type: none"> Four pas assez chaud. Four surchargé. La porte du four a été ouverte trop fréquemment 	<ul style="list-style-type: none"> Réglez la température du four à 25°F (12°C) de plus que prévu et faites cuire pendant la durée recommandée. Veillez à retirer du four tous les plats ou moules sauf ceux qui sont nécessaires à la cuisson. N'ouvrez pas la porte du four avant la fin de la durée minimum de cuisson recommandée.

Circulation d'air dans le four

Pour une bonne circulation d'air et une cuisson satisfaisante, centrez les moules le mieux possible. Allouez 5.1 à 10.2 cm (2" à 4") autour des ustensiles pour permettre à l'air de circuler et veillez à ce que les moules ne se touchent pas mutuellement, et qu'ils ne touchent pas la porte, les côtés ou l'arrière du four. L'air chaud doit pouvoir circuler autour des moules pour que la chaleur soit uniforme dans toutes les parties du four.



Cuisson par convection (option disponible avec certains modèles)

NOTE: Le moteur de la turbine convection cesse automatiquement de tourner si la porte est ouverte alors que le four fonctionne en mode convection. Elle recommence à tourner lorsque la porte est refermée.

En mode convection, un ventilateur au fond du four sert à faire circuler l'air chaud autour des aliments. Ce mouvement contrôlé d'air scelle rapidement la surface des aliments, retenant ainsi tous les jus naturels et leur saveur. Cette méthode de cuisson vous permet d'obtenir les meilleurs résultats culinaires, c'est à dire pour la cuisson, décongeler, déshydrater et rôtir des aliments.

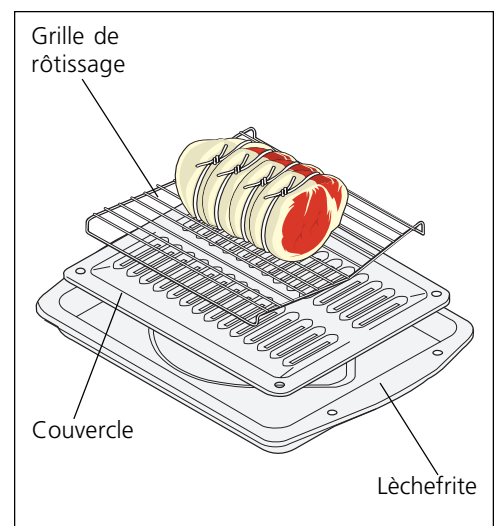
Conseils sur la convection:

1. Pour la cuisson par convection, on peut réussir presque toutes les recettes en abaissant la température du four requise pour la cuisson en mode normal par radiation de 13°C (25°F). Vérifiez le mode de fonctionnement de la commande électronique qui se trouve dans le feuillet "Programmateur électronique du four" de ce guide de l'utilisateur. Ceci peut avoir comme résultat de réduire considérablement la perte de volume des aliments, en plus de cuire les viandes plus tendres.
2. Il est plus facile de cuire des lots d'aliments et d'obtenir de meilleurs résultats.
3. Décongeler les aliments par convection est plus rapide que par la méthode normale de cuisson par radiation.
4. Souvenez-vous d'utiliser des recettes déjà connues et essayées, dont la durée de cuisson aura été ajustée pour le mode convection. La durée de la cuisson peut-être réduite jusqu'à 30% lorsque l'option convection est utilisée.

Rôtissage par convection (certains modèles)

Pour le rôtissage par convection, servez-vous toujours de la lèchefrite et de son couvercle ainsi que de la grille de rôtissage convection. La graisse s'écoule dans la lèchefrite et son couvercle prévient les éclaboussures de graisse. La grille de rôtissage supporte la viande.

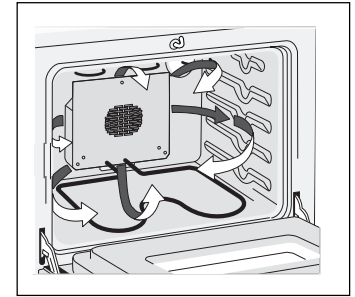
1. Placez la grille du four sur le premier support ou le deuxième support du bas.
2. Placez le couvercle sur la lèchefrite. La grille de rôtissage convection s'imbrique dans la lèchefrite. L'air chaud circule sous l'aliment afin de procurer une cuisson uniforme. Ne vous servez pas de la lèchefrite sans son couvercle ou ne la recouvrez pas de papier d'aluminium.



Système de cuisson rapide (certains modèles)

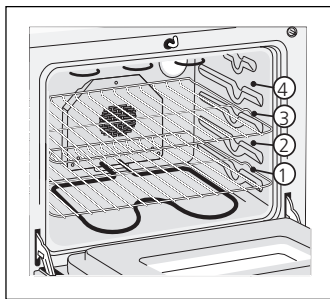
En mode de **cuisson rapide**, un ventilateur à l'arrière du four fait circuler l'air chaud autour des aliments. Cette circulation d'air scelle rapidement la surface des aliments, retenant ainsi les jus et leur saveur. Cette méthode permet d'obtenir de meilleures performances, aussi bien pour cuire, décongeler, déshydrater que pour rôtir les aliments.

Les viandes cuites à l'aide du **système de cuisson rapide** sont plus savoureuses. Le poulet est croustillant à l'extérieur tout en étant tendre et juteux à l'intérieur. Les pains et pâtisseries cuisent plus uniformément. La plupart des aliments peuvent être préparés plus rapidement et plus efficacement en mode de **cuisson rapide**.



Les avantages du système de cuisson rapide:

- Économise du temps et de l'énergie puisque les aliments cuisent de 15 à 30% plus rapidement.
- Cuit et grille plus uniformément les aliments lorsque deux tablettes sont utilisées.
- Ne requiert pas de casseroles ou d'ustensiles de cuisson spéciaux.

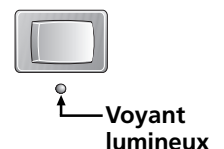


Instructions de cuisson générales:

1. Lorsque le mode de **cuisson rapide** est utilisé, le temps de cuisson est réduit considérablement. Commencez par réduire le temps de 30% et augmentez graduellement jusqu'à ce que les aliments atteignent la cuisson désirée. La réduction du temps de cuisson variera selon la quantité et le type d'aliment à cuire.
2. À l'exception de la cuisson de pains, de gâteaux, de biscuits, etc., le préchauffage du four n'est pas nécessaire lorsqu'il est utilisé en **cuisson rapide**.
3. La cuisson d'aliments en lots est améliorée en mode de **cuisson rapide**, lorsque l'utilisation de 2 tablettes est requise en même temps pour la cuisson, placez-les en position 1 et 3 pour obtenir de meilleurs résultats.
4. Lors de la cuisson de gâteaux en mode de **cuisson rapide**, réglez la température 25°F (13°C) degrés plus basse que la température recommandée pour les meilleurs résultats.

Réglage du système de cuisson rapide

1. Réglez le four comme pour une cuisson normale au four. Le système de cuisson rapide peut être utilisé avec les fonctions suivantes: cuisson au four, cuisson au four chronométrée et mise en marche différée.
2. Activez l'interrupteur à bascule du mode de **cuisson rapide** situé sur le panneau de commande. Le voyant lumineux s'allume et le ventilateur démarre. Ce ventilateur est en fonction lorsque la porte du four est fermée et s'éteint quand on ouvre la porte. Le ventilateur continue à fonctionner jusqu'à ce que la cuisson soit terminée.
3. Lorsque l'option **cuisson rapide** est utilisée avec le mode **cuisson chronométrée**, le ventilateur du four se met à fonctionner dès que le programmateur est réglé. Par contre, l'élément du four ne commencera pas à chauffer avant que l'heure de départ programmée ne soit atteinte.
4. Pour annuler la **cuisson rapide**, procédez de la même façon que pour annuler toutes autres modes de cuisson.

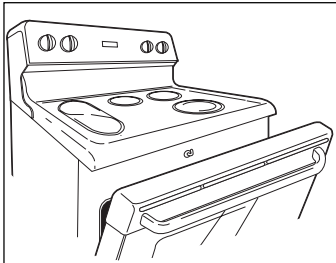


Note: Le mode de **cuisson rapide** ne fonctionne pas durant un cycle autonettoyant.

Guide pour système de cuisson rapide	
Nourriture	Réduction du temps de cuisson:
Plats en casserole	25%
Viandes	15% (ou 5 minutes/lb)
Volailles	30% (ou 10 minutes/lb)
Aliments congelés	20%
Biscuits réfrigérés	25% (ou 2 to 5 minutes)
Rouleaux/Pains/Pizza	25% (ou 5 minutes)
Légumes	25%
Pommes de terre au four	25%
Tartes/Pâtisseries	30%

Cuisson au grill

La cuisson au grill est un procédé de cuisson des coupes tendres de viande grâce à la chaleur radiante émise par l'élément supérieure du four.



Ouvrez la porte à la position grillage lors de la cuisson au grill.

Tirez toujours la grille du four jusqu'à sa position d'arrêt pour retourner ou retirer les aliments.

Préchauffage

Le préchauffage est recommandé pour saisir les biftecks saignants. (Retirez la lèchefrite avant le préchauffage. Les aliments placés sur le métal chaud collent). Pour le préchauffage, réglez la commande du four à BROIL (GRIL) en suivant les instructions du Guide de l'utilisateur. Attendez que l'élément devienne rouge vif, cela prend environ 2 minutes. Le préchauffage n'est pas nécessaire pour les viandes bien cuites.

Pour la cuisson au grill

Grillez la viande sur un côté jusqu'à ce qu'elle soit dorée; retournez et faites cuire le deuxième côté. Assaisonnez et servez. Tirez toujours la grille hors du four jusqu'à la position d'arrêt avant de retourner ou de retirer les aliments.

Calcul des durées de cuisson au grill

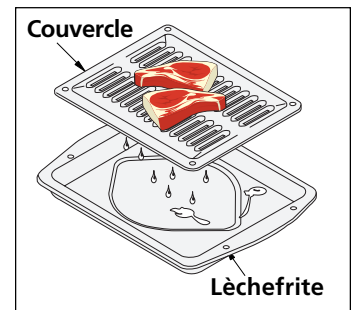
Les durées de cuisson au grill peuvent varier: surveillez attentivement la cuisson. Non seulement la durée de cuisson dépend-elle de la distance par rapport à l'élément, mais également de l'épaisseur et du vieillissement de la viande, de sa teneur en matières grasses et du degré de cuisson préféré. Le premier côté nécessite généralement quelques minutes de plus que le deuxième. Les viandes surgelées prennent aussi plus de temps à cuire.

Conseils pour la cuisson au grill

La lèchefrite et son couvercle permettent à la graisse de s'égoutter au fond de la lèchefrite, à l'abri de la chaleur intense du grill.

NE PAS utiliser la lèchefrite sans son couvercle qui l'accompagne. NE PAS recouvrir le couvercle de papier aluminium. Le gras en surface pourrait s'enflammer.

⚠ AVERTISSEMENT Si un feu se produit à l'intérieur du four, fermez la porte du four et éteignez le four. Si le feu ne s'éteint pas, lancez dessus du bicarbonate de soude ou utilisez un extincteur. **NE PAS** mettre d'eau ou de farine sur le feu. La farine risque d'exploser.



Conseils pour le nettoyage de la lèchefrite:

- Pour faciliter le nettoyage, couvrez le fond de la lèchefrite d'un papier d'aluminium. NE recouvrez PAS le couvercle de la lèchefrite de papier d'aluminium.
- Pour empêcher la graisse de s'incruster, retirez la lèchefrite du four dès que la cuisson est terminée. Utilisez des mitaines car la lèchefrite est extrêmement chaude. Vidangez la graisse. Faites tremper la lèchefrite dans l'eau CHAUDE et savonneuse.
- Nettoyez la lèchefrite dès que possible après utilisation. S'il y a lieu, utilisez des tampons de laine d'acier saponifiés. Un récurage trop énergique pourrait l'endommager.

Réglage du four

Pour le réglage du four, reportez-vous à la section minuterie ou programmateur électronique.

Surface de cuisson vitrocéramique (certains modèles)

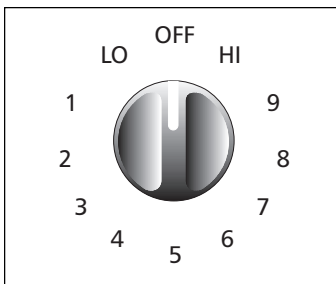
Des éléments électriques chauffants sont situés sous la surface de cuisson vitrocéramique. L'emplacement des éléments sur la plaque de cuisson est clairement délimité par le design. Vous devez surtout vous assurer que le diamètre de la casserole est de dimension similaire au diamètre des éléments. La chaleur est propagée vers le haut, à travers la surface de la plaque de cuisson. N'utilisez que des ustensiles à fond plat. Le type et la grosseur des ustensiles de cuisine, le nombre d'éléments utilisés et le réglage des éléments, sont des facteurs qui influencent la quantité de chaleur qui s'étend aux zones autour des éléments. Celles-ci peuvent devenir suffisamment chaudes pour causer des brûlures.

La surface de cuisson vitrocéramique ne doit pas être utilisée comme planche à découper ou table de travail. Si vous laissez tomber des objets durs ou lourds sur la plaque de cuisson, vous risquez de la faire éclater. Les casseroles avec des fonds rugueux peuvent égratigner la plaque de cuisson. Il est recommandé de ne pas déposer d'aliments directement sur la plaque de cuisson (sans les mettre dans des ustensiles de cuisine), car le nettoyage sera plus difficile et les aliments pourraient générer de la fumée et entraîner un risque potentiel d'incendie. N'utilisez jamais de plaque chauffante ou d'ustensiles similaires sur la surface en vitrocéramique.

Types de foyers utilisés

Trois types de foyers chauffants peuvent être utilisés tout dépendant du modèle; ce sont ceux qui ont:

- des **éléments radiants réguliers** (à une seule zone) de divers diamètres ou configurations.
- des **éléments radiants à surface variable** (à deux zones) de divers diamètres ou configurations.
- des **éléments radiants allongés** (à trois zones) de divers diamètres ou configurations.

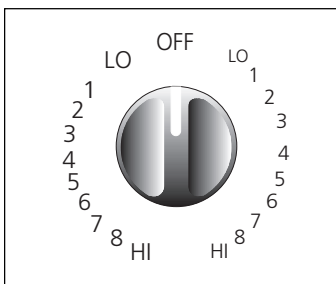


Éléments radiants réguliers (certains modèles)

Un motif épousant la forme du foyer radiant apparaît sur la surface vitrocéramique et vous permet de le situer.

Le niveau de chaleur est ajusté à l'aide d'un bouton de commande que vous devez enfoncer à fond en premier, s'il est à la position ARRÊT. Tournez ensuite le bouton au niveau de chaleur désiré.

Si la surface chauffante de l'élément dépasse le contour de la casserole, l'ustensile est trop petit pour l'élément. Il n'est pas nécessaire d'aligner le bouton de commande sur une marque particulière. Servez-vous des marques comme points de repère, et ajustez le bouton de commande en conséquence. Les voyants lumineux de fonctionnement et de surface chaude s'allumeront.

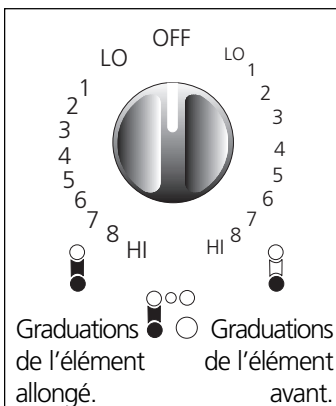


Éléments radiants à surface variable (certains modèles)

Ce foyer combine les caractéristiques d'un petit et d'un grand foyer radiant. Le principal avantage de ce foyer c'est qu'il peut être utilisé pour la cuisson avec de petits ou de grands ustensiles, ce qui augmente l'utilité de la surface de cuisson.

Les niveaux de chaleur sont ajustés à l'aide d'un bouton de commande à deux séries de graduations. Avec de petits ustensiles, utilisez les petits caractères; seule la petite surface intérieure chauffera. Pour chauffer de grands ustensiles servez-vous des graduations à gros caractères; toute la surface du foyer chauffera alors.

Les voyants lumineux de fonctionnement et de surface chaude s'allumeront lorsque l'élément chauffera.



Éléments radiants allongés (certains modèles)

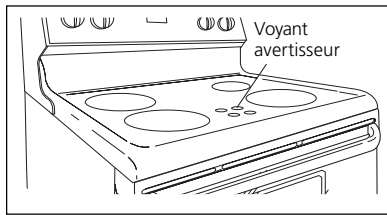
Le principal avantage de ce type de foyer est qu'il permet de créer une zone de cuisson plus grande pour les casseroles de forme allongée comme les rotissoires ou les plaques chauffantes.

Pour utiliser l'élément allongé, tournez le bouton de commande vers la gauche, en direction des graduations de l'élément allongé.

Pour un élément allongé complet, activez aussi l'élément arrière.

Et pour utiliser seulement l'élément avant, tournez le bouton de commande vers la droite, en direction des graduations de l'élément avant.

Surface de cuisson vitrocéramique (certains modèles) (suite)



Voyant avertisseur de surface chaude (certains modèles)

Certains modèles possèdent un voyant avertisseur situé sous la surface vitrocéramique qui s'allume aussitôt qu'elle devient chaude. Lorsque vous éteignez les foyers, le voyant demeure allumé tant que la vitre est suffisamment chaude pour causer des brûlures. D'autres modèles en possèdent 1 pour chaque foyer. Ils sont regroupés tel que montré dans l'illustration ci-contre.

Réglage de la commande de la zone réchaud (certains modèles)

Pour faire fonctionner la zone réchaud

La surface de cuisson de votre cuisinière est munie d'une zone réchaud. Cette zone a pour fonction de conserver les aliments chauds à la température de service. Commencez toujours par les mets chauds. Il n'est pas recommandé de chauffer des aliments froids sur la zone réchaud.

Utilisez la zone réchaud pour conserver chaud certains aliments qui sont cuits tels que: les légumes, les sauces, les mets dans une casserole, les soupes, les ragoûts, les pains, les pâtisseries et les assiettes de service utilisables au four.

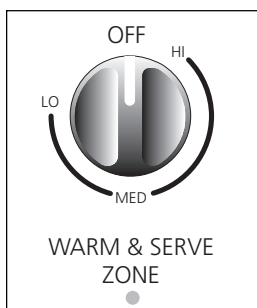
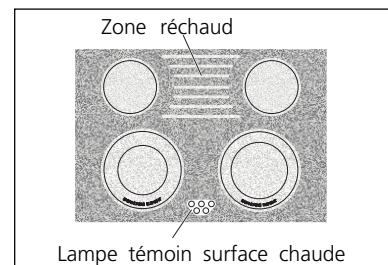
Tous les aliments placés sur la zone réchaud doivent être recouverts d'un couvercle ou d'une feuille de papier aluminium pour conserver leur qualité. Pour les meilleurs résultats, laissez le couvercle entrouvert lorsque vous désirez garder chaud des pâtisseries ou des pains. **N'utilisez pas de plastique pour recouvrir les aliments. Le plastique peut fondre; il sera très difficile de l'enlever de la surface par la suite.**

Utilisez seulement la vaisselle et les ustensiles de cuisine recommandés pour le four et la zone réchaud.

ATTENTION La zone réchaud ne devient pas rouge lorsqu'elle est chaude contrairement aux éléments de surface. Utilisez toujours des poignées ou des mitaines pour fours pour retirer les aliments de la zone réchaud, car les ustensiles et plats qui s'y trouvent sont chauds.

Témoin lumineux

La **lampe témoin de surface** de la zone réchaud est située sous la commande thermostat de la zone réchaud. Elle s'allume lorsque le bouton de la commande est réglé et reste allumée jusqu'à ce que le bouton soit tourné à ARRÊT (OFF). La **lampe témoin surface chaude** qui est située sous la vitre céramique s'allumera lorsque le bouton de commande sera réglé et continuera de briller tant que la vitre ne se sera pas refroidie à un niveau acceptable.



Réglage de la zone réchaud

1. Pour régler le thermostat, enfoncez le bouton et tournez-le au réglage désiré. Les températures sont approximatives et désignées par HAUT (HI), MOYEN (MED) et BAS (LO). Toutefois, le bouton peut être positionné à tout endroit entre les repères HAUT (HI) et BAS (LO) pour des niveaux de chaleur différents.
2. Lorsque vous aurez terminé, tournez la commande de thermostat à OFF (ARRÊT). La **lampe témoin surface chaude** s'éteint lorsque la zone réchaud s'est refroidie à un niveau sécuritaire.

Sélection de température

Référez-vous au tableau pour les réglages recommandés. Si un aliment n'est pas énuméré, commencez par le réglage moyen. La plupart des aliments peuvent être conservés aux températures de service en utilisant le réglage moyen.

Tableau des réglages recommandés pour la zone réchaud			
Aliments	Réglage	Aliments	Réglage
Pains / pâtisseries	Bas (LO)	Sauces	Moyen (MED)
Mets en casserole	Bas (LO)	Soupes (crème)	Moyen (MED)
Assiettes de service avec aliments	Bas (LO)	Ragoûts	Moyen (MED)
Oeufs	Bas (LO)	Légumes	Moyen (MED)
Jus de viande	Bas (LO)	Aliments frits	Haut (HI)
Viandes	Moyen (MED)	Brevages chauds	Haut (HI)
		Soupes (liquides)	Haut (HI)

Surface de cuisson vitrocéramique (certains modèles) (suite)

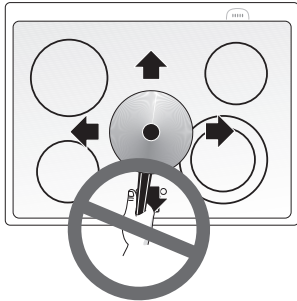
Précautions à prendre avec l'emploi de papier d'aluminium et de récipients en aluminium

1) Papier d'aluminium

L'emploi de papier d'aluminium peut endommager la surface de cuisson; évitez de l'employer.

2) Récipients en aluminium

L'aluminium fond à une température plus basse que celle des autres métaux. Vous devez être vigilant lorsque vous employez de tels récipients. Si toute l'eau du récipient s'évapore, des dommages permanents à la surface de cuisson peuvent en résulter; égratignure, fusion et même bris de la surface.

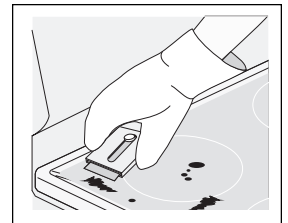


Glisser des récipients avec des fonds en aluminium ou cuivre peut laisser des marques. Ces marques doivent être nettoyées avec une crème immédiatement après que la surface aie refroidie . Ces marques peuvent devenir permanentes si elles ne sont pas nettoyées.

Les ustensils (acier, métal, céramique ou verre) avec des fonds rugueux peuvent endommager la surface de cuisson. **Ne glissez aucun ustensils de métal ou verre sur la surface. N'utilisez pas** la surface comme comptoir de cuisine. **Ne cuisinez pas** sur la surface directe sans récipients. **N'échappez pas** d'objets lourds ou tres durs sur la surface, ceci pourrait la faire craquer.

Points à se rappeler

1. **Ne glissez pas d'ustensiles sur la surface de cuisson vitrocéramique, ceci pourrait égratigner ou laisser des marques métalliques permanentes sur la surface de cuisson.**
2. ÉVITEZ d'utiliser des agents de blanchissage et ne vous servez pas d'ammoniaque pour nettoyer la surface vitrocéramique.
3. Ne placez pas d'articles en matière plastique sur la surface de cuisson si elle est chaude.
4. Ne placez pas les grilles du four sur la surface de cuisson vitrifiée, car elles peuvent l'endommager.
5. **Si la vitre venait à se briser, ne vous servez pas de la surface de cuisson et n'essayez pas de la nettoyer. Appelez immédiatement un technicien du service autorisé.**
6. Ne placez pas de supports métalliques entre les casseroles et la surface de cuisson vitrifiée. Ces supports risquent de tacher, d'égratigner ou même de marquer la surface de cuisson vitrifiée.
7. Les renversements sucrés peuvent attaquer la surface de votre plaque de cuisson. Vous devez donc procéder au nettoyage de ces renversements pendant que l'appareil est encore chaud. Suivez prudemment les étapes qui suivent.
 - a) Éteignez tous les foyers et retirez immédiatement toutes les casseroles.
 - b) Protégez votre main avec une moufle et grattez le débordement encore chaud de la surface du foyer à l'aide d'un grattoir à lame de rasoir, en repoussant les résidus vers la partie plus froide de la surface de cuisson.
 - c) Laissez refroidir l'appareil.



Entretien de la surface de cuisson

Problème	Causes	Pour prévenir	Pour enlever
Lignes brunes très fines (légères égratignures, dans lesquelles se sont logées des impuretés).	Présence de grains de sel, sucre, résidus de cuisson, ou même sable entre les récipients et la surface de cuisson. Utilisation d'agents de nettoyage non recommandés.	Essuyez la surface de cuisson après chaque usage. Utilisez quotidiennement la crème nettoyante.	Enlever les égratignures s'avère impossible. Celles-ci peuvent être réduites au minimum en vous servant régulièrement d'une crème nettoyante. Ces égratignures n'affectent pas pour autant la cuisson.
Marques métalliques, grises ou noires.	Frottement de récipients de métal ou tablettes du four sur la surface de cuisson.	Évitez de déplacer les récipients en les glissant sur la surface de cuisson.	Appliquer sur la surface froide une crème nettoyante à l'aide d'une serviette de papier humide.
Rayures brunâtres et petites taches.	Nettoyage avec une éponge ou un linge à vaisselle destiné à d'autres tâches dans la cuisine.	Utilisez la crème nettoyante à l'aide d'une serviette de papier propre et humide.	Appliquez une crème nettoyante à l'aide d'une serviette de papier humide.

NOTE : La vitre de la surface de cuisson deviendra verte lorsque les éléments de surface seront éteints après avoir été utilisés à haute intensité. Ce phénomène est normal et la vitre redeviendra à sa couleur blanche originale lorsqu'elle sera complètement refroidie. (Vitres blanches seulement).

Surface de cuisson vitrocéramique (certains modèles) (suite)

Entretien de la surface de cuisson (suite)

Comment nettoyer la surface de cuisson vitrocéramique

Certains nettoyeurs à vitres contiennent des ingrédients qui endommageront votre surface de cuisson. Nous vous suggérons de vous servir de nettoyeurs approuvés, énumérés plus loin dans le texte. Pour nettoyer et protéger la surface de cuisson, une crème nettoyante devra être utilisée régulièrement. Avant d'utiliser votre appareil pour la première fois, appliquez de la crème nettoyante sur la surface de cuisson céramique. Un échantillon de crème nettoyante **CERAMA BRYTE®** est fourni avec votre appareil. Ce produit est disponible en magasins.

Employez un des nettoyeurs recommandés et terminez avec la crème nettoyante. Suivez les recommandations suivantes:

1. AVANT DE VOUS SERVIR DE L'APPAREIL, nettoyez à fond et saturez la surface de cuisson avec une crème nettoyante.
 - a) Humectez une serviette de papier et nettoyez la surface souillée.
 - b) Essuyez avec une autre serviette de papier imbibée d'eau; après quoi polissez avec une serviette de papier sèche.
2. Pour le nettoyage quotidien, appliquez un peu de crème nettoyante au centre de chaque foyer. Appliquez environ 1/8 de cuillerée à thé (appliquez-en plus si nécessaire), puis procédez de la façon spécifiée plus haut pour le nettoyage (a et b).
3. Assurez-vous que le dessous du récipient et la surface de cuisson sont propres et secs.
4. Réglez le bouton de commande et choisissez des récipients suffisamment grands pour éviter des renversements et éclaboussures.
5. Essuyez les aliments qui se sont renversés ainsi que les éclaboussures avant qu'ils ne brûlent sur la surface.

IMPORTANT Utilisez la crème nettoyante à intervalles réguliers. Assurez-vous de toujours avoir de la crème nettoyante à la portée de la main. Si vous ne disposez pas de crème nettoyante, utilisez un des nettoyeurs approuvés.

ATTENTION Ne mélangez jamais les agents nettoyeurs. Les mélanges peuvent être nocifs, dommageables, et possiblement dangereux.

Nettoyeurs approuvés pour la surface de cuisson vitrocéramique

1. BICARBONATE DE SOUDE (Soda à pâte).
2. Tampons de plastique et de nylon non-imprégnés.
3. Dans le cas d'aliments brûlés sur la surface, grattez légèrement à un angle de 30° avec une lame de rasoir à tranchant unique.
4. Crème pour nettoyer les vitres céramique.
5. Crème nettoyante **CERAMA BRYTE®**.

À ne pas utiliser sur la surface de cuisson vitrocéramique

1. Des tampons qui peuvent égratigner et marquer la surface de cuisson.
2. Des poudres nettoyantes. Elles peuvent égratigner, selon leur rugosité et la pression de frottement qui est appliquée.
3. Des nettoyeurs chimiques pour le four. Ils peuvent marquer la surface de cuisson et sont caustiques.
4. Tous les produits capables d'enlever les taches de rouille qui contiennent de l'acide hydrofluorique.
5. Les agents de blanchissage. Ne vous servez pas d'ammoniaque.

Instructions spéciales pour le nettoyage des dépôts minéraux et décoloration

Problème: Une tache d'un gris brunâtre qui ne s'enlève pas avec la crème nettoyante.

Cause: La condensation, provenant de la cuisson, s'accumule et dégoutte du couvercle du récipient. Les minéraux qui se trouvent dans l'eau et dans les aliments peuvent causer la formation d'un dépôt grisâtre ou brunâtre sur la surface de cuisson. Ce dépôt est si mince qu'il ne peut être décelé au toucher et semble être situé sous la surface de cuisson.

Pour prévenir: Servez-vous chaque jour de la crème nettoyante.

Pour l'enlever:

- Humectez la tache avec de l'eau et appliquez une petite quantité de crème nettoyante.
- Frottez avec une serviette de papier propre et humide, jusqu'à ce que la tache disparaisse.
- Enlevez le résidu avec une autre serviette de papier humide.
- Appliquez une petite quantité de crème nettoyante et polissez avec une serviette de papier propre.

AVERTISSEMENT

- N'appliquez jamais de détergent sur une surface de cuisson vitrocéramique avant qu'elle ne soit complètement refroidie, à cause des vapeurs nocives qui seraient générées.
- N'utilisez pas de crème nettoyante pour le nettoyage et le polissage des surfaces en porcelaine, chromées ou en aluminium.



CERAMA BRYTE®
(Crème nettoyante pour les surfaces de cuisson en céramique)

Nettoyage de l'appareil

Nettoyage extérieur

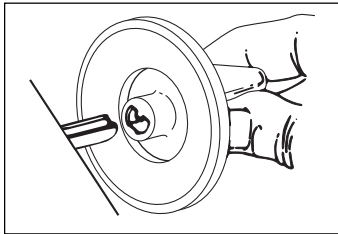
Nettoyez la cuisinière après chaque usage afin d'éviter toute accumulation de saletés et prévenir ainsi qu'elles carbonisent et lavez avec de l'eau chaude et savonneuse. Essayez avec un linge doux ou avec du papier essuie-tout.

N'utilisez pas de produits abrasifs, de laine d'acier, de nettoyeurs à base d'ammoniaque ou d'acide, ou des nettoyeurs pour fours, sur les surfaces extérieures de la cuisinière excepté pour les surfaces émaillées. Avant d'utiliser un nettoyeur ou un poli pour métal sur les garnitures métalliques, assurez-vous que l'étiquette indique qu'il peut être employé sur le chrome ou l'aluminium.

Avant de débiter le nettoyage de la cuisinière, assurez-vous que toutes les commandes des éléments de chauffage sont bien à la position ARRÊT "●" et que les éléments sont froids.

Tableau des commandes

Boutons de commande



Si le tableau de commandes a besoin d'être nettoyé, tournez les boutons de commandes à **ARRÊT "●"** et retirez-les de l'axe des commandes.

L'utilisation d'un chiffon imbibé d'eau chaude savonneuse ou d'un nettoyeur ménager doux suffira pour la plupart des travaux de nettoyage du tableau de commande en acier ou en aluminium. Parfois, l'application de quelques gouttes d'une crème nettoyante ou crème de polissage (à base de silicone) recommandée viendra à bout des souillures persistantes, et laissera une couche protectrice aidant à conserver l'apparence original de votre cuisinière.

Vous pouvez vous procurer la crème nettoyante/polissante recommandée dans tous les centres de services après-vente autorisés et dans tous les grands magasins.

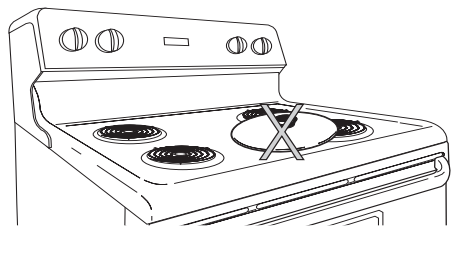
Modèles avec panneau de verre:

Nettoyez le panneau de verre à l'aide d'un chiffon/éponge imbibé d'eau chaude savonneuse ou à l'aide d'un essuie-tout et d'un nettoyeur de vitre en aérosol. Prenez des précautions pour que l'eau ou le nettoyeur n'aille pas se loger derrière le panneau de verre ou à proximité de commandes activées par des boutons.

Remplacez les boutons en prenant soin d'aligner le plat de l'axe avec le plat dans la cavité du bouton. Enfoncez les boutons sur les axes des commandes.

Avant de débiter le nettoyage des foyers spiralés, assurez-vous qu'ils sont froids et que les commandes sont à la position ARRÊT "●".

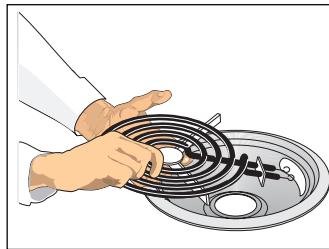
ATTENTION Ne laissez jamais de couvercles sur les foyers spiralés, ceux-ci pourraient être endommagés en permanence si les foyers étaient allumés accidentellement.



Surface de cuisson à foyers spiralés (certains modèles)

Les foyers spiralés et cuvettes de propreté

Les foyers spiralés se nettoient d'eux-mêmes lorsqu'ils fonctionnent.



Les foyers spiralés et les cuvettes de propreté sont amovibles et permettent ainsi de nettoyer les cuvettes de propreté.

Pour enlever un foyer spiralé, poussez sur sa partie avant et relevez-la, puis tirez-le hors de sa fiche.

Pour un lavage à la main, lavez les cuvettes de propreté dans de l'eau chaude savonneuse. Pour

faire disparaître les taches résistantes, utilisez un tampon à récurer en nylon et du savon; rincez et séchez pendant que ces pièces sont encore chaudes.

ATTENTION Ne faites jamais tremper les éléments spiralés dans de l'eau.

SURFACES	AGENTS DE NETTOYAGE	INSTRUCTIONS
Acier émaillé (Table de cuisson; surface sous la table de cuisson)	Nettoyeurs doux ou tampons en acier saponifiés.	Utilisez une éponge mouillée ou un tampon saponifié et trempé, lavez et asséchez.
Garniture - Panneau de commandes	Eau chaude et savonneuse ou crème nettoyante.	Utilisez un linge propre ou un papier essuie-tout savonneux et mouillé, lavez et asséchez. N'utilisez pas de produits abrasifs.

Nettoyage de l'appareil (suite)

Instructions pour le nettoyage de la surface de cuisson en émail vitrifié

⚠ AVERTISSEMENT NE PAS utiliser de nettoyeur à plaque de cuisson sur une surface de cuisson chaude. Les émanations peuvent mettre votre santé en danger, et risquer d'endommager chimiquement la surface émaillée.

⚠ ATTENTION Avant de nettoyer la surface émaillée, assurez-vous que tous les boutons des commandes sont tournés à OFF (ARRÊT) et que la table de cuisson est froide.

⚠ ATTENTION NE PAS utiliser de nettoyeurs commerciaux pour les fours sur les surfaces extérieures, y compris le cadre de la porte et la surface de cuisson.

Nettoyage de la surface de cuisson en émail vitrifié

Un nettoyage correct et consistant est essentiel au maintien de votre surface de cuisson en émail vitrifié. Si les renversements d'aliments et les éclaboussures de graisses ne sont pas enlevés, ils brûleront sur la surface de cuisson et causeront une décoloration permanente.

Nettoyage quotidien

Pour la saleté normale:

1. Laissez refroidir la surface de cuisson.
2. Nettoyez les renversements et les éclaboussures à l'aide d'un chiffon et de l'eau chaude savonneuse.
3. Au besoin, l'utilisation délicate d'un tampon à récurer ou d'un nettoyeur ménager doux permettront d'enlever les taches rebelles.
4. Retirez toute trace du savon ou du nettoyeur sans quoi l'émail pourrait être endommagé par la chaleur.

Pour la saleté tenace et les taches calcinées:

1. Laissez refroidir la surface de cuisson.
2. Utilisez un tampon de laine d'acier savonneux avec de l'eau chaude ou humectez les taches d'un mélange d'eau et d'ammoniaque. Frottez délicatement. Rincez et séchez à l'aide d'un chiffon propre.
3. Si la saleté persiste (grosses souillures), appliquez quelques gouttes d'une crème nettoyante RECOMMANDÉE pour surface de cuisson (émail/vitrocéramique) et à l'aide d'un chiffon humide ou d'un tampon à récurer, frottez. Épongez et essuyez jusqu'à ce que toute la saleté et la crème soient enlevées. Un nettoyage et polissage régulier avec la crème nettoyante laisse une couche protectrice qui aide à prévenir les égratignures et les abrasions.

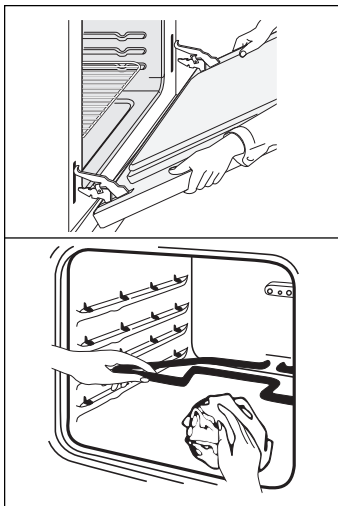
Pour les renversements sucrés:

Les renversements sucrés peuvent attaquer le fini de votre surface de cuisson. Vous devez donc procéder au nettoyage de ces renversements pendant que l'appareil est encore chaud.

1. Éteignez tous les éléments de la surface de cuisson.
2. Protégez votre main avec une moufle et prudemment essuyez le débordement encore chaud avec un chiffon sans toucher aux éléments de cuisson.
3. Laissez refroidir la surface de cuisson et suivez les instructions précitées pour enlever les souillures restantes.

Vous pouvez vous procurer la CRÈME NETTOYANTE RECOMMANDÉE pour surface en émail vitrifié ou vitrocéramique chez tous les centres de services autorisés ou grands magasins.

Nettoyage de l'appareil (suite)



Nettoyage du four régulier (four non autonettoyant)

Assurez-vous d'abord que le four est froid et que toutes les commandes sont à la position **ARRÊT "●"**. Il est plus facile de nettoyer le four lorsque la porte est retirée.

1. Enlevez la porte, voir la section "**Enlevez et réinstallez la porte du four**".
2. Videz le four de son contenu incluant les grilles.
3. La lèchefrite, le couvercle et les grilles peuvent être lavés dans l'évier.
4. Nettoyez l'intérieur du four à fond avec un linge humide et savonneux, puis essuyez à sec.

Pour faciliter le nettoyage des saletés incrustées difficiles à enlever, utilisez un produit pour usage domestique à base d'ammoniaque. Suivez le mode d'emploi suggéré par le fabricant. (Ne retirez pas la porte si vous utilisez de l'ammoniaque.)

Complétez le nettoyage avec un linge mouillé, aidé d'une laine d'acier fine ou d'un agent de récurage si nécessaire.

Vous pouvez faire pivoter l'élément inférieur vers le haut pour faciliter le nettoyage du four.

5. Remplacez les grilles dans le four. Réinstallez la porte.

Nettoyage du four autonettoyant (certains modèles)

Prenez les précautions de nettoyage qui suivent:

- Laissez le four refroidir avant le nettoyage.
- Portez des gants en caoutchouc lorsque vous nettoyez toute partie extérieure du four à la main.

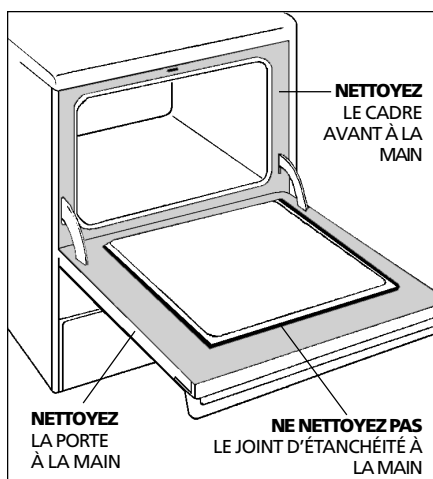
ATTENTION Pendant le cycle d'autonettoyage, l'extérieur du four peut devenir très chaud au toucher. **NE laissez pas** les enfants sans surveillance près de l'appareil.

ATTENTION Certains oiseaux sont très vulnérables aux gaz dégagés lors du nettoyage des fours auto-nettoyants; ils doivent être placés dans une autre pièce, bien aérée.

ATTENTION Avant de débiter le nettoyage, assurez-vous que la commande du four est tournée à arrêt ou appuyez sur la touche **ARRÊT (OFF)** ou **ANNULATION**. Attendez que le four se soit refroidi.

N'utilisez pas de nettoyeurs commerciaux ou d'enduits protecteurs sur ou autour d'aucune partie du four. **NE nettoyez pas** le joint d'étanchéité. Le joint d'étanchéité qui est installé sur la porte du four est essentiel à une fermeture efficace du four. Faire attention de ne pas le frotter ou le déplacer, car ceci pourrait l'endommager. **N'utilisez pas** de papier d'aluminium pour protéger le fond du four car ceci pourrait nuire à la cuisson ou fondre et affecter le fini du four.

Un four autonettoyant se nettoie de lui-même à des températures élevées (bien au-dessus des températures de cuisson), qui éliminent complètement ou réduisent les saletés en fines cendres, que vous pouvez faire disparaître très facilement avec un linge humide.



Préparation du four avant l'autonettoyage

1. Retirez tout excès de renversements dans la cavité du four avant de débiter le cycle d'autonettoyage. Utilisez un linge trempé dans de l'eau chaude et savonneuse pour le nettoyage. Les gros renversements peuvent être la cause de fumées épaisses ou d'un incendie s'ils sont exposés à des températures élevées. **Ne pas** permettre à des renversements qui contiennent beaucoup de sucre ou qui ont un niveau d'acidité élevé (tels que tomates, choucroute, jus de fruits, ou garnitures de tarte) de demeurer en surface, car ils peuvent causer la formation de taches qui resteront sans éclat même après le nettoyage.
2. Nettoyez toute saleté présente sur le cadre avant du four, ainsi que l'intérieur de la porte (surfaces ombragées de l'illustration). Ces surfaces deviennent suffisamment chaudes pendant le cycle d'autonettoyage pour cuire les éclaboussures sur les surfaces. Nettoyez avec de l'eau et du savon.
3. Retirez la lèchefrite et son couvercle ainsi que tous les ustensiles et tout papier d'aluminium. Ces produits ne supportent pas les températures élevées de l'autonettoyage.
4. Les grilles peuvent être laissées dans le four ou être enlevées. Si elles subissent un cycle d'autonettoyage, leur couleur deviendra terne. Quand le cycle de nettoyage sera terminé et que le four sera refroidi, frottez les broches sur les côtés des grilles avec du papier ciré ou avec un peu d'huile pour bébé ou d'huile à salade. Ceci aidera les grilles à mieux glisser.

Nettoyage de l'appareil (suite)

BLOCAJE AUTOMATIQUE DES ÉLÉMENTS DE SURFACE (Modèles avec four autonettoyant seulement)

Les éléments de surface sont exposés à des températures élevées s'ils sont utilisés alors que le four fonctionne en mode autonettoyant. Pour maximiser la durée de vie des éléments de surface, un système de protection les rend hors d'usage pendant le cycle d'autonettoyage du four. Les éléments de surface redeviennent fonctionnels lorsque le cycle de nettoyage est complété et que la porte du four peut être ouverte.

Ce qui peut survenir durant l'autonettoyage

Lorsque le four fonctionne, sa température devient beaucoup plus élevée que celle utilisée pour la cuisson. Il est normal d'entendre des bruits de dilatation et de contraction du métal. Il y aura aussi des odeurs causées par l'élimination des saletés. Il est même possible que de la fumée s'échappe par la sortie d'aération qui débouche sur la table de cuisson.

Si les gros débordements ne sont pas essuyés avant l'autonettoyage, ils pourraient s'enflammer et causer encore plus de fumée et d'odeurs que la normale. Cette situation est normale et sans danger et ne devrait pas vous alarmer. Si vous possédez une hotte, utilisez-la durant le cycle d'autonettoyage pour évacuer les odeurs et les fumées.

REMARQUE: Un éliminateur de fumée est installé dans le conduit d'aération; il transforme la presque totalité des saletés en un gaz invisible.

Réglage des commandes du four

Pour le réglage d'un cycle de nettoyage, référez-vous à la section minuterie ou programmateur électronique.

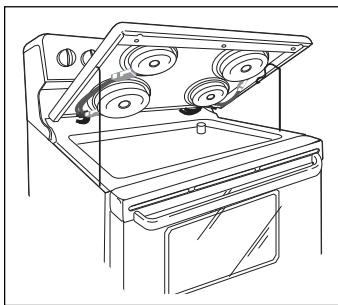


Table de cuisson levable (certains modèles)

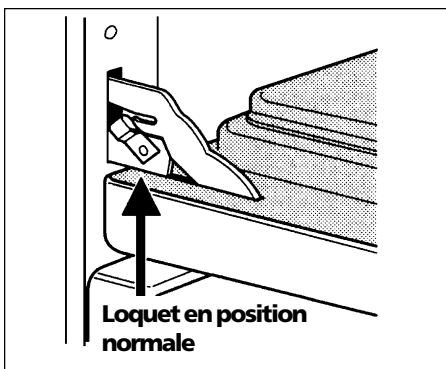
Avec certains modèles, la table de cuisson à foyers spiralés peut être soulevée pour faciliter le nettoyage.

Pour soulever la table de cuisson, prenez-la par les côtés vers l'avant et soulevez-la. Utilisez les deux broches supports et faites glisser le cran d'arrêt vers vous, pour que la table de cuisson demeure en position élevée pendant le nettoyage.

⚠ ATTENTION Abaissez la table de cuisson lentement en prenant soin de ne pas vous faire pincer les doigts. Ne la laissez pas se refermer avec force, car ceci pourrait endommager le fini émaillé.

Enlever et réinstaller la porte

1. Ouvrez la porte complètement.
2. Faites pivoter vers le haut les deux loquets mobiles se trouvant sur les supports des charnières et engagez-les dans les crochets des bras des charnières. Il se peut qu'il soit nécessaire d'exercer une légère pression sur la porte pour que les loquets s'engagent complètement.
3. Avec une main de chaque côté de la porte, soulevez légèrement la porte et tirez-la vers vous pour dégager les supports des charnières.
Continuez à tirer la porte vers vous tout en faisant pivoter le haut de la porte vers la cuisinière de façon à dégager les bras des charnières.
4. Pour remettre la porte en place, procédez à l'inverse.
Assurez-vous que les supports de la charnière sont bien engagés avant de libérer les bras de charnières.



Porte avec vitre extérieure démontable (certains modèles)

Ces modèles n'ont pas la vitre extérieure de la porte retenue par un cadre enveloppant. Ce design vous permet de nettoyer la face interne de la vitre extérieure, ainsi que la partie cachée de la vitre du hublot intérieur de la porte. Il existe deux types de porte avec vitre extérieure démontable, soit: un modèle avec moulure inférieure collée sur la vitre et un autre modèle avec moulure inférieure indépendante de la vitre.

Pour retirer la vitre extérieure de la porte:

1. Retirez la porte de la cuisinière en se référant à **“Enlevez et réinstallez la porte”** à la section **“Nettoyage de l'appareil”** et déposez-la à plat.
2. À l'aide d'un tournevis, retirez les vis retenant l'assemblage vitre et moulure inférieure pour les modèles avec moulure inférieure collée sur la vitre; ou les vis retenant la moulure inférieure pour les modèles avec moulure inférieure indépendante de la vitre et retirez ensuite la moulure inférieure.
3. Tenez la vitre par les côtés et faites-la doucement glisser hors de la moulure supérieure avant de la porte. Déposez la vitre à plat.

⚠ ATTENTION Manipulez cette vitre avec précaution. Si la vitre est cognée sur un coin, elle peut éclater en petits morceaux et vous blesser.

⚠ ATTENTION Pour les modèles avec la moulure inférieure collée sur la vitre: **NE** décollez **PAS** la moulure de la vitre.

Pour réinstaller la vitre extérieure de la porte:

1. Soulevez la vitre par les côtés et insérez-la délicatement sous la moulure supérieure de la porte.
2. Remplacez l'assemblage vitre et moulure inférieure ou la moulure inférieure et les vis qui le retiennent en place.
3. Remplacez la porte sur la cuisinière en référant à **“Enlevez et réinstallez la porte”** à la section **“Nettoyage de l'appareil”**.

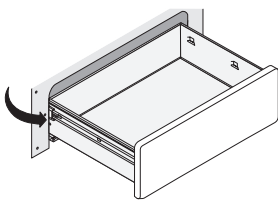
Retirer/replacer le tiroir de rangement

Pour retirer/replacer le tiroir avec glissières extensibles (certains modèles)

Utilisez le tiroir de rangement pour entreposer des ustensiles de cuisine. Le tiroir peut être enlevé pour faciliter le nettoyage sous l'appareil. Faites attention en manipulant le tiroir.

Pour retirer le tiroir:

Abaissez le levier de gauche, soulevez celui de droite et sortez le tiroir.



Pour retirer le tiroir:

1. Tirez sur le tiroir vide jusqu'à ce qu'il bloque.
2. Soulevez le levier de la barrure de la glissière droite et abaissez celle de gauche.
3. Retirez le tiroir de la cuisinière.

Pour replacer le tiroir:

1. Faites glisser les guides du tiroir sur les glissières.
2. Poussez le tiroir à fond dans la cuisinière.

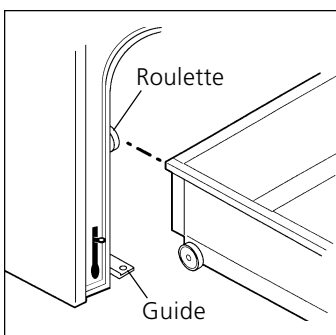
Pour retirer/replacer le tiroir de rangement avec roulettes (certains modèles)

Pour retirer le tiroir:

1. Tirez le tiroir vide jusqu'au butoir des roulettes.
2. Soulevez l'avant du tiroir vers le haut et faites-le passer par dessus les roulettes.

Pour replacer le tiroir:

1. Insérez l'arrière du tiroir dans l'ouverture.
2. Déposez les roulettes arrière du tiroir sur les guides des roulettes.
3. Poussez le tiroir jusqu'à ce qu'il bloque, puis soulevez-le par dessus le butoir et glissez-le au fond.



Tiroir-Réchaud (certains modèles)

Réglage des commandes du tiroir-réchaud

Pour faire fonctionner le tiroir-réchaud

Votre cuisinière est munie d'un tiroir-réchaud. Ce tiroir a pour fonction de conserver les aliments chauds à la température de service. Commencez toujours par les mets chauds. Il n'est pas recommandé de chauffer des aliments froids dans le tiroir-réchaud.

Tous les aliments placés dans le tiroir-réchaud doivent être recouverts d'un couvercle ou d'un papier en aluminium pour conserver leur qualité. **Ne couvrez pas les aliments croustillants. N'utilisez pas de plastique pour recouvrir les aliments. Le plastique risque de fondre dans le tiroir et d'être très difficile à nettoyer.**

Utilisez seulement la vaisselle et les ustensiles de cuisine recommandés pour le four dans le tiroir-réchaud.

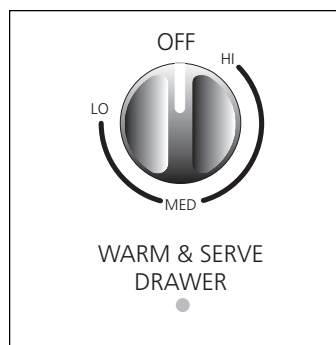
ATTENTION Utilisez toujours des poignées ou des mitaines pour four pour retirer les aliments du tiroir-réchaud, car les ustensiles et plats s'y trouvant sont chauds.

Note: Utilisez le tiroir-réchaud pour garder les aliments chauds comme : les légumes, les sauces, les viandes, les casseroles, les biscuits et les petits pains, les pâtisseries et les assiettes à dîner servies.

Note: Le tiroir-réchaud est équipé d'un loquet qui peut exiger assez d'effort pour ouvrir et fermer le tiroir.

Témoin lumineux

Le témoin lumineux est situé sous le bouton de la commande thermostat. Il s'allume lorsque la commande est réglée et reste allumé jusqu'à ce qu'on l'éteigne. Le tiroir-réchaud ne peut fonctionner pendant le cycle auto-nettoyant. Le témoin lumineux ne s'allumera pas pendant le cycle auto-nettoyant.



Réglage du bouton de la commande du thermostat

La commande thermostat est utilisée pour sélectionner la température du tiroir-réchaud. Elle est située derrière la porte du tiroir-réchaud. Pour régler le thermostat, appuyez sur le bouton et tournez-le au réglage désiré. Les températures sont approximatives et désignées par HAUT (HI), MOYEN (MED) et BAS (LO). Le bouton peut aussi être réglé à ces trois niveaux de chaleur ou à n'importe quel autre niveau de chaleur compris entre ces réglages.

1. Sélectionnez le réglage de température.
2. Pour de meilleurs résultats, préchauffez le tiroir avant d'ajouter les aliments. Un tiroir vide prend environ 18 minutes à réchauffer au réglage HI (Haut), 15 minutes au réglage MED (MOYEN) et 12 minutes au réglage LO (BAS).
3. Lorsque vous aurez terminé, tournez la commande thermostat à OFF (Arrêt).

Sélection de température

Référez-vous au tableau dans la colonne ci-contre pour les réglages recommandés. Si un aliment n'est pas énuméré, commencez par le réglage moyen. Si vous préférez que l'aliment soit plus croustillant, enlever le couvercle ou le papier aluminium qui le recouvre.

La plupart des aliments peuvent être conservés aux températures de service en utilisant le réglage MOYEN(MED).

Lorsqu'une combinaison d'aliments doit être gardée au chaud, utilisez le réglage élevé(HI) (par exemple, une viande avec 2 légumes et petits pains).

Évitez d'ouvrir le tiroir-réchaud pendant qu'il est utilisé afin d'éviter toute perte de chaleur.

Pour réchauffer les bols et assiettes de service

Réglez le chauffage à BAS (LO) pour réchauffer les bols et assiettes. Placez les plats vides sur la grille pour qu'ils ne touchent pas le fond du tiroir. Vérifiez auprès du fabricant pour déterminer le degré de chaleur que peuvent tolérer les articles en porcelaine.

IMPORTANT: Le tiroir-réchaud sera automatiquement mis hors de service pendant que le four fonctionne en mode autonettoyant. Il pourra être utilisé à nouveau lorsque le cycle d'autonettoyage sera terminé.

Tableau des réglages recommandés pour le tiroir-réchaud

<u>Aliments</u>	<u>Réglage</u>
Bacon	Haut (HI)
Biscuits	Moyen (MED)
Plats en Casserole	Moyen (MED)
Oeufs	Moyen (MED)
Assiettes vides	Bas (LO)
Poisson, fruits de mer	Moyen (MED)
Aliments frits	Haut (HI)
Sauces	Moyen (MED)
Jambon	Moyen (MED)
Pâtés de viande	Haut (HI)
Crêpes, gaufres	Haut (HI)
Pâtisserie	Moyen (MED)
Tartes	Moyen (MED)
Pizza	Haut (HI)
Côtes de porc	Haut (HI)
Pommes de terre (au four)	Haut (HI)
Pommes de terre (en purée)	Moyen (MED)
Poulet	Haut (HI)
Rôtis (Boeuf, Porc, Agneau)	Moyen (MED)
Petits pains (moux)	Bas (LO)
Petits pains (durs)	Moyen (MED)
Légumes	Moyen (MED)

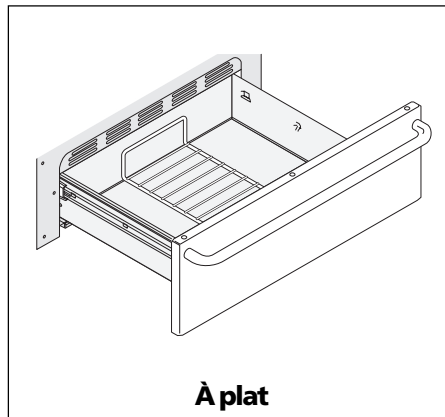
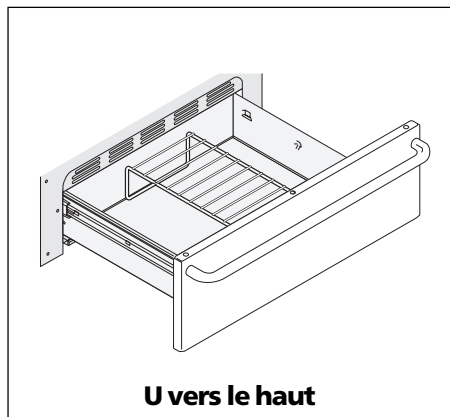
Tiroir-Réchaud (certains modèles) (suite)

Disposition de la grille du tiroir-réchaud

Disposez la grille du tiroir-réchaud comme illustré ci-dessous.

La grille peut être utilisée de 2 façons:

- Grille en **U vers le bas** pour permettre de disposer des aliments de moindre dimension sur et sous la grille (par exemple, petits pains ou biscuits sur la grille et casserole en dessous).
- Grille **à plat** sur le fond pour permettre de disposer des aliments de moindre poids et la vaisselle vide (par exemple, petits pains ou pâtisseries et vaisselle pour le dîner).



Nettoyage général

Pour retirer et replacer le tiroir-réchaud

Pour enlever le tiroir-réchaud:

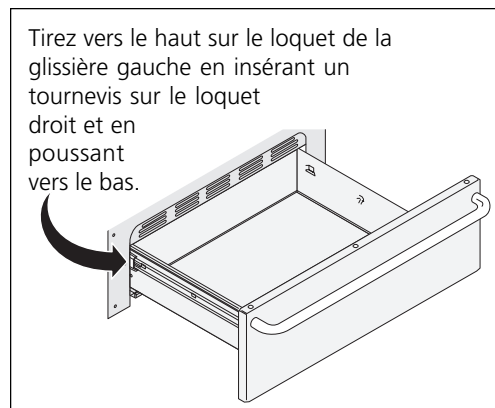
1. **ATTENTION** Interrompez le courant avant d'enlever le tiroir-réchaud.
2. Ouvrez complètement le tiroir.
3. Localisez les loquets des deux côtés du tiroir-réchaud. Le loquet gauche est visible, mais celui du côté droit ne l'est pas et est situé à l'intérieur des glissières du tiroir.
4. Tirez vers le haut sur le loquet de la glissière gauche en insérant un tournevis dans le loquet droit et poussez vers le bas.
5. Enlevez le tiroir de la cuisinière.
6. Pour nettoyer le tiroir-réchaud, utilisez délicatement un tampon à récurer savonneux; ceci permet d'enlever la plupart des taches. Rincez à l'aide d'une solution contenant des parts égales d'eau claire et d'ammoniaque. *Au besoin*, couvrez les taches tenaces d'un essuie-tout imbibé d'ammoniaque pendant 30 à 40 minutes. Rincez avec de l'eau claire et un chiffon, puis frottez délicatement avec un tampon à récurer savonneux. Rincez et séchez à l'aide d'un chiffon propre. Retirez toute trace de nettoyeur sans quoi l'émail pourrait être endommagé par la chaleur. **NE PAS** utiliser de nettoyeur en aérosol pour four sur la surface de cuisson.

Pour replacer le tiroir-réchaud :

1. Alignez les loquets des glissières des deux côtés du tiroir avec les guides du tiroir.
2. Poussez le tiroir dans la cuisinière.



AVERTISSEMENT Risque de choc électrique pouvant occasionner de blessures graves ou la mort. Débranchez l'appareil du courant électrique avant le service d'entretien ou avant d'enlever ou de replacer le tiroir-réchaud.



Liste des vérifications préventives

Avant d'appeler un technicien de service lisez ce qui suit:

Dans bien des cas, vous pouvez épargner le coût et les incon vénients causés par la visite d'un technicien de service en consultant la liste des vérifications préventives qui suit. Elle décrit les situations les plus courantes n'ayant aucun rapport avec une pièce défectueuse ou un vice de construction.

Vous devrez défrayer les frais pour toute visite d'un technicien de service durant la période où l'appareil est couvert par la garantie si le problème n'est pas causé par un vice de construction ou une pièce défectueuse.

Votre nouvel appareil ménager a été construit avec soin. Il est fréquent que ce qui semblait être une raison valable pour justifier la visite d'un technicien de service ne nécessite en fait qu'un simple réglage de votre part ou n'est qu'une conséquence normale du fonctionnement de l'appareil en certaines circonstances.

Cette liste couvre différents modèles de cuisinières et certains items ne s'appliqueront pas nécessairement à votre appareil.

PROBLÈME

CAUSE POSSIBLE / SOLUTION

INSTALLATION

La cuisinière n'est pas de niveau.

Référez-vous à la méthode de nivellement suggérée dans la section "Informations générales". Après avoir mis la cuisinière de niveau, la surface de cuisson pourrait sembler croche par rapport au comptoir, si ce dernier n'est pas de niveau.

Assurez-vous que le plancher est de niveau et assez solide pour supporter le poids de la cuisinière sans fléchir. Adressez-vous à un menuisier pour corriger la pente ou l'affaissement du plancher si nécessaire.

Assurez-vous que les armoires sont bien alignées, de niveau et qu'un dégagement suffisant a été prévu pour la cuisinière (1.3 cm (1/2") de chaque côté).

LA CUISINIÈRE NE FONCTIONNE PAS

Aucune partie de l'appareil ne fonctionne.

Vérifiez les fusibles de la maison et remplacez-les s'il y a lieu ou enclenchez le disjoncteur automatique.

Assurez-vous que la fiche du cordon d'alimentation de l'appareil est bien branchée à la prise murale (Canada seulement).

Panne de courant. Vérifiez le fonctionnement des ampoules de la maison.

Le four ne fonctionne pas.

Pas de courant électrique à la cuisinière. Voir "Aucune partie de l'appareil ne fonctionne" ci-dessus.

Le bouton sélecteur (certains modèles) est entre 2 repères. Réglez le bouton sélecteur sur le repère CUISSON ou CUIRE ou GRIL ou GRILLAGE, etc... jusqu'à ce que la lampe témoin du four s'allume.

Assurez-vous que le bouton de la commande de température soit réglé à la température désirée.

Le programmeur électronique émet des signaux sonores et affiche le code -F1-, -F3- ou -F9-. Un vice de fonctionnement a été détecté. Poussez la touche ANNULER pour effacer le message affiché et faire cesser les signaux sonores. Reprogrammez le four. Si le même code défaut réapparaît à l'affichage, note-le, poussez la touche ANNULER, et communiquez avec un service d'entretien autorisé.

La fonction TEMPS DE CUISSON (cuisson chronométrée) est en marche. ANNULEZ la fonction.

Liste des vérifications préventives (suite)

PROBLÈME

CAUSE POSSIBLE / SOLUTION

LA CUISINIÈRE NE FONCTIONNE

PAS (suite)

Les éléments de la surface de cuisson ne chauffent pas.

L'appareil n'est pas sous tension électrique. Voir "Aucune partie de l'appareil ne fonctionne" ci-dessus.

Lorsque le réglage de chaleur d'un foyer de surface est très bas, son voyant lumineux peut s'allumer même si l'élément ne chauffe pas. Tournez alors le bouton de commande à un repère plus élevé jusqu'à ce que l'élément commence à chauffer.

Les éléments spiralés ne sont pas insérés correctement dans les réceptacles. Tournez les boutons de commande de température à ARRÊT. Retirez les éléments, redressez les terminaux si nécessaire. Réinsérez-les à nouveau dans leur réceptacle respectif.

Vous avez tourné le mauvais bouton de commande de température. Assurez-vous d'utiliser le bouton de commande qui correspond au foyer que vous désirez utiliser.

Le blocage automatique des éléments est en fonction (modèles avec four autonettoyant seulement). Les éléments de surface sont exposés à des températures élevées s'ils sont utilisés alors que le four fonctionne en mode autonettoyant. Pour maximiser la durée de vie des éléments de surface, un système de protection les rend hors d'usage pendant le cycle d'autonettoyage du four. Les éléments de surface redeviennent fonctionnels lorsque le cycle de nettoyage est complété et que la porte du four peut être ouverte. Annulez le cycle d'autonettoyage.

La lampe du four ne s'allume pas.

L'ampoule est brûlée; remplacez-la. Voir "Lampe du four" dans la section "Informations générales".

L'éclairage du tableau des commandes ne fonctionne pas (certains modèles).

Le tube fluorescent n'est pas bien fixé dans les réceptacles ou est brûlé. Reportez-vous à "Lampe de surface" dans la section "Informations générales"

SURFACE DE CUISSON

Foyers trop chauds ou trop froids.

Augmentez ou diminuez le réglage jusqu'à ce que vous obteniez le degré de chaleur désiré.

Utilisez seulement des casseroles à fond plat, non bosselées, bien équilibrées et d'épaisseur moyenne ou élevée. Les casseroles dont le fond est plat chauffent plus rapidement que celles dont le fond est bombé. La rapidité du chauffage dépend des matériaux utilisés et du poids des casseroles. Les casseroles à paroi d'épaisseur moyenne ou élevée chauffent de façon uniforme. Les aliments risquent de brûler plus facilement dans une casserole à paroi mince.

Les liquides bouillent sur les foyers alors que le réglage de chaleur est bas.

Le réglage du bouton de commande du foyer est incorrect. Tournez le bouton de réglage de la chaleur à un niveau plus faible.

Lorsque le four fonctionne, de l'air chaud s'échappe par le conduit d'aération situé au centre du foyer spiralé arrière droit ce qui augmente l'apport de chaleur.

Liste des vérifications préventives (suite)

PROBLÈME

CAUSE POSSIBLE / SOLUTION

SURFACE DE CUISSON VITROCÉRAMIQUE (certains modèles)

Égratignures ou abrasion de la surface de cuisson.

Reportez-vous à "Surface de cuisson vitrocéramique" qui se trouve dans la section "Informations générales".

NOTE: Essuyez le plus rapidement possible les débordements d'aliments sucrés sur les surfaces chauffantes vitrocéramique, car ceux-ci peuvent piquer ces surfaces s'ils sont chauds.

CUISSON AU FOUR

Les aliments sont trop ou pas assez cuits.

Les températures de cuisson au four et la durée de cuisson peuvent varier par rapport à la recette ou les instructions apparaissant sur l'emballage du produit. Pour un réglage donné, la température du four de votre nouvelle cuisinière peut être différente de celle de votre ancienne cuisinière. Avec votre ancienne cuisinière, le réglage de température était moins précis. Il est donc fort probable que vous ayez à modifier les durées de cuisson et les températures de vos recettes préférées.

Utilisez la grandeur de casserole recommandée dans la recette. Si vous utilisez des plats en verre, abaissez la température du four de 13°C (25°F). Ceci ne s'applique pas si vous les utilisez pour cuire des tartes ou du pain.

Les plats mis au four ne sont pas uniformément dorés ou gonflés.

Il ne faut pas cuire des aliments dans un plat recouvert, à moins que ce ne soit indiqué dans la recette. Les aliments cuits dans un plat recouvert ne dorent pas facilement.

Utilisez des plats propres et brillants. Les plats noircis risquent de faire coller les aliments au fond. Utilisez des ustensiles à fond plat. Les ustensiles dont le fond est bombé peuvent causer une cuisson irrégulière.

Si les aliments brûlent au fond du plat, c'est que la grille du four est trop basse; déplacez-la à un niveau plus élevé. Si c'est le dessus qui est trop grillé, abaissez-la.

Durée de cuisson trop longue.

Quand vous ouvrez la porte du four pour vérifier le degré de cuisson, la température du four chute de 10°C (18°F) ou plus à chaque fois. Réglez pour une durée de cuisson la plus courte possible, et vérifiez le degré de cuisson seulement lorsque le temps de cuisson sera écoulé. Vérifiez la progression de la cuisson par le hublot de la porte s'il y en a un.

Il ne faut pas qu'une plaque à biscuits ou de cuisson recouvre toute la surface de la grille. Laissez un espace d'au moins 5.1 cm (2 po.) entre les ustensiles, les plats et les côtés du four, pour une bonne circulation d'air. Lorsque vous utilisez les deux grilles, disposez les plats de sorte que l'un ne soit pas directement au-dessus d'un autre.

Il faut environ 10 minutes pour que le four atteigne la température de réglage. La cuisson sera mieux réussie si le four est préchauffé avant d'y déposer des aliments.

Le four dégage de la vapeur d'eau.

Durant la cuisson, de la vapeur d'eau se dégage des aliments qui contiennent beaucoup d'eau. Couvrez le plat avec son couvercle si cela convient aux aliments que vous désirez faire cuire.

Bruit de ventilateur lorsque le four fonctionne.

Un ventilateur démarrera et arrêtera automatiquement afin de refroidir des pièces internes de l'appareil. Ceci est normal et il est possible que ce ventilateur continue de fonctionner même si le four est à la position arrêt.

Liste des vérifications préventives (suite)

PROBLÈME

CAUSE POSSIBLE / SOLUTION

CUISSON AU GRIL

Beaucoup de fumée se dégage du four durant la cuisson au gril.

Entrouvrez la porte à la position grillage.

Versez 3 à 4 tasses d'eau dans la lèchefrite, afin d'en recouvrir entièrement le fond. Déposez la viande sur le couvercle de la lèchefrite et mettez le tout au four. La graisse qui s'écoule de la viande tombe sur l'eau dans la lèchefrite où elle se refroidit; ceci réduit la formation de fumée.

Abaissez la grille du four pour éloigner la viande de l'élément de grillage.

Enlevez l'excédent de gras; faites des entailles dans le suif entourant la viande pour qu'elle ne se recroqueville pas. Ne coupez pas dans le maigre.

Assurez-vous que le couvercle est toujours placé sur la lèchefrite, avec les encoches vers le bas, pour que la graisse puisse s'écouler dans la lèchefrite.

Il y a accumulation de graisse sur les parois du four. Il faut nettoyer le four régulièrement si la cuisson au gril est souvent utilisée. La vieille graisse ou les éclaboussures peuvent dégager beaucoup de fumée.

AUTONETTOYAGE DU FOUR (certains modèles)

Le cycle d'autonettoyage ne fonctionne pas.

Suivez les instructions données dans ce guide pour bien programmer le cycle de nettoyage.

La porte n'a pas été bien fermée. Fermez la porte et réglez le cycle de nettoyage à nouveau.

Il y a encore de la saleté après le cycle d'autonettoyage.

Vous n'avez pas enlevé les saletés au fond du four, sur le bâti du four ou sur les surfaces de la porte à l'extérieur du joint d'étanchéité. La partie du four immédiatement sous la porte devrait être lavée. Le cycle d'autonettoyage n'agit pas sur ces surfaces, mais elles deviennent assez chaudes pour cuire les éclaboussures. Nettoyez ces surfaces à la main avant de débiter le cycle de nettoyage. Les résidus carbonisés peuvent être nettoyés avec une brosse en nylon rigide et de l'eau ou avec un tampon à récurer en nylon. Faites attention de ne pas endommager le joint du four.

Un temps de nettoyage trop court. Réglez un cycle de nettoyage supplémentaire.

Le courant fut interrompu durant le cycle d'autonettoyage. Vérifiez quelle fut la cause de cette panne. Réglez un cycle additionnel d'autonettoyage.

Évitez d'endommager l'appareil durant son transport

Pour éviter d'endommager votre cuisinière durant son transport à l'intérieur ou à l'extérieur de votre demeure ou lors d'un déménagement, prenez les précautions suivantes :

1. Revissez à fond les vis de nivellement de l'appareil.
2. Retirez les grilles du four ainsi que les ustensiles remisés dans le tiroir de rangement.
3. Utilisez du ruban adhésif pour attacher fermement la porte et le tiroir au châssis. Attachez le câble d'alimentation à la cuisinière de la même façon.
4. Utilisez un diable et attachez-y la cuisinière solidement à l'aide de courroies. Couvrez l'appareil avec une couverture épaisse afin d'éviter tout risque d'égratignures ou de bosses à l'appareil.
5. Évitez de tirer ou de pousser sur le panneau de contrôle lorsque vous bougez l'appareil.

Informations sur la garantie

GARANTIE DE LA CUISINIÈRE

Votre cuisinière est protégée par cette garantie

	PÉRIODE DE GARANTIE	PAR L'ENTREPRISE DE NOS PRÉPOSÉS À L'ENTRETIEN AUTORISÉS :	RESPONSABILITÉ DU CLIENT :
GARANTIE COMPLÈTE DE UN AN	Un an à partir de la date d'achat.	Tous les frais de réparation ou de remplacement de toute pièce de cet appareil présentant des défauts de matériaux ou de fabrication.	Le coût des visites d'un réparateur pour les items classés sous la liste RESPONSABILITÉS NORMALES DU CLIENT.*
GARANTIE LIMITÉE DE LA DEUXIÈME À LA CINQUIÈME ANNÉE (Table de cuisson vitrocéramique, joint & éléments)	Entre la deuxième et la cinquième année à partir de la date d'achat.	Réparera ou remplacera gratuitement (excluant les frais de main-d'œuvre pour le service et l'installation) les éléments chauffants défectueux et défraiera tous les coûts (excluant les frais de main d'œuvre pour le service et l'installation) occasionnés par le remplacement de la surface de cuisson vitrocéramique dont le bris est causé par les tensions thermiques.	Les coûts de transport de l'appareil requis pour effectuer les réparations. Le coût de la main-d'œuvre, des pièces et les frais de transport pour les autres composants que ceux du revêtement du boîtier ou du système de réfrigération scellé.
GARANTIE LIMITÉE (Applicable à l'état de l'Alaska uniquement)	Les périodes de temps indiquées ci-dessus.	Toutes les dispositions de la garantie complète indiquées ci-dessus et les exclusions indiquées ci-dessous s'appliquent.	Les coûts de déplacement du réparateur et de transport de l'appareil requis pour effectuer les réparations.

Aux États-Unis, votre appareil est garanti par Produits Electrolux Nord-Américains, une filiale de White Consolidated Industries, Inc. Nous n'autorisons aucune personne à modifier ou à ajouter quelle qu'obligation que ce soit à cette garantie. Nos obligations concernant les réparations ou les pièces couvertes par cette garantie doivent être effectuées par Produits Electrolux Nord-Américains ou par un dépositaire de service autorisé de Produits Electrolux Nord-Américains. **Au Canada**, votre appareil est garanti par Electrolux Canada Corp.

* RESPONSABILITÉS NORMALES DU CLIENT

Cette garantie s'applique uniquement aux produits utilisés à des fins domestiques et le client est responsable pour les items inclus dans la liste ci-dessous :

1. Une utilisation appropriée de l'appareil conformément aux instructions fournies avec le produit.
2. Une installation appropriée par un dépositaire de service autorisé conformément aux instructions fournies avec l'appareil et à tous les codes locaux de plomberie, d'électricité et/ou de gaz.
3. Un branchement approprié à une prise de courant avec mise à la terre et à une tension suffisante, ainsi que le remplacement des fusibles grillés, la réparation des branchements défaits ou défectueux.
4. Les coûts pour rendre l'appareil accessible pour les réparations, comme l'enlèvement de garnitures, d'armoires, d'étagères, etc., qui ne faisaient pas partie de l'appareil à sa sortie de l'usine.
5. Les dommages au fini après l'installation.
6. Le remplacement des ampoules électriques et/ou des tubes fluorescents (sur les modèles qui présentent ces caractéristiques).

EXCLUSIONS

Cette garantie ne couvre pas :

1. LES DOMMAGES INDIRECTS OU CONSÉCUTIFS, COMME LES DOMMAGES À LA PROPRIÉTÉ OU LES FRAIS CONSÉCUTIFS RÉSULTANT D'UN MANQUEMENT DE QUELLE QUE NATURE QUE CE SOIT DE CETTE GARANTIE ÉCRITE OU DE TOUTE AUTRE GARANTIE IMPLICITE.
REMARQUE : Certains états ou provinces ne permettent pas l'exclusion ou la limitation des dommages indirects ou consécutifs, il est donc possible que cette limitation ne s'applique pas à votre cas.
2. Les appels de service non reliés à un mauvais fonctionnement ou à une défaillance de matériaux ou de fabrication ou pour les appareils qui ne servent pas à des fins domestiques. Le client devra assumer les frais de ces appels de service.
3. Les dommages causés par un entretien effectué par un dépositaire non autorisé par Produits Electrolux Nord-Américains; l'utilisation de pièces autres que les pièces authentiques de Produits Electrolux Nord-Américains ou obtenues par une personne autre qu'un dépositaire autorisé ou encore des causes extérieures comme une utilisation abusive, un mauvais usage, une alimentation électrique inadéquate ou une catastrophe naturelle.
4. Les produits dont les numéros de série d'origine ont été enlevés ou effacés et qui ne peuvent être lus.

SI VOUS AVEZ BESOIN DE SERVICE

Garder votre facture, le bordereau de livraison ou toute autre preuve de versement effectué. La date de la facture indique le début de la période de garantie dans l'éventualité où une réparation serait requise. Il est dans votre intérêt de demander et de conserver tous les reçus. Cette garantie écrite vous donne des droits légaux spécifiques. Il est possible que vous ayez également d'autres droits qui varient selon les régions. Les services couverts par cette garantie doivent être obtenus en contactant Produits Electrolux Nord-Américains:

USA
1•800•944•9044
 Produits Electrolux
 Nord-Américains
 P.O. Box 212378
 Augusta, GA 30917

Canada
1•866•294•9911
 Produits Electrolux
 Nord-Américains
 802, boul. L'Ange-Gardien
 L'Assomption, Québec
 J5W 1T6

Cette garantie ne s'applique qu'aux 50 états des États-Unis, Puerto Rico, et Canada. Les caractéristiques du produit décrites ou illustrées sont sujettes à des modifications sans préavis. Toutes les garanties sont émises par Produits Electrolux Nord-Américains, une filiale de White Consolidated Industries, Inc. **Au Canada**, votre appareil est garanti par Electrolux Canada Corp.