

website <http://www.lgappliances.com>



LG

# LG ROOM AIR CONDITIONER **OWNER'S MANUAL**

Please read the operating instructions and safety precautions carefully and thoroughly before installing and operating your room air conditioner.

## ACONDICIONADOR DE AIRE DE VENTANA **MANUAL DEL PROPIETARIO**

Por favor lea las instrucciones de operación y las precauciones de seguridad cuidadosa y totalmente antes de instalar y operar su acondicionador de aire de ventana.

**MODELS, MODELOS: LT0810CR  
LT1010CR  
LT1210CR**

### IMPORTANT

Please read through this manual. It contains valuable information about your air conditioner. This manual may help save time and money by explaining proper air conditioner maintenance and preventing improper use.

### PRECAUTIONS

Pay close attention to precautions in order to prevent potential hazards and damage from misuse or improper installation. LG is not responsible for any damages caused by misuse of the air conditioner.

ENGLISH

ESPAÑOL

# TABLE OF CONTENTS

Safety Precautions.....	3
Before Operation.....	7
Introduction .....	8
Electrical Safety .....	9
Installation .....	11
Operating Instructions .....	18
Maintenance and Service .....	21



## FOR YOUR RECORDS

Write the model and serial numbers here:

**Model #** \_\_\_\_\_

**Serial #** \_\_\_\_\_

You can find them on a label on the side of each unit.

**Dealer's Name** \_\_\_\_\_

**Date Purchased** \_\_\_\_\_

■ Staple your receipt to this page in the event you need it to prove date of purchase or for warranty issues.



## READ THIS MANUAL

Inside you will find many helpful hints on how to use and maintain your air conditioner properly. Just a little preventive care on your part can save you a great deal of time and money over the life of your air conditioner.

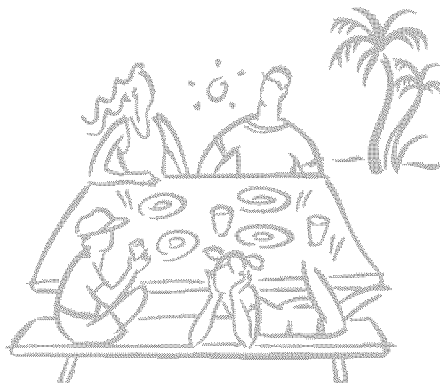
You'll find many answers to common problems in the chart of troubleshooting tips. If you review our chart of

**Troubleshooting Tips** first, you may not need to call for service at all.



## PRECAUTION

- Contact the authorized service technician for repair or maintenance of this unit.
- Contact the installer for installation of this unit.
- The air conditioner is not intended for use by young children or invalids without supervision.
- Young children should be supervised to ensure that they do not play with the air conditioner.
- When the power cord is to be replaced, replacement work shall be performed by authorized personnel only using only genuine replacement parts.
- Installation work must be performed in accordance with the National Electric Code by qualified and authorized personnel only.



# Safety Precautions

To prevent injury to the user or other people and property damage, the following instructions must be followed.

■ Incorrect operation due to ignoring instruction will cause harm or damage. The seriousness is classified by the following indications.

**⚠ WARNING** This symbol indicates the possibility of death or serious injury.

**⚠ CAUTION** This symbol indicates the possibility of injury or damage to properties only.

■ Meanings of symbols used in this manual are as shown below.

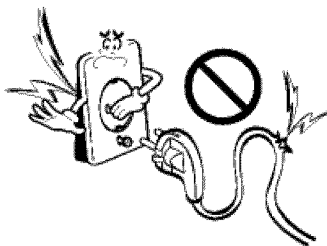
	<b>Be sure not to do.</b>
	<b>Be sure to follow the instruction.</b>

## ⚠ WARNING

### ■ Installation

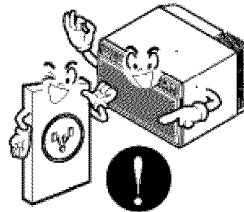
**Don't use a power cord, a plug or a loose socket which is damaged.**

- Otherwise, it may cause a fire or electrical shock.



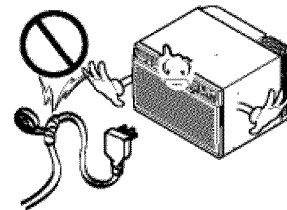
**Always plug into a grounded outlet.**

- Otherwise, it may cause a fire or electrical shock.



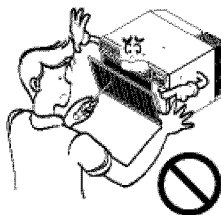
**Do not modify or extend the power cord length.**

- It will cause electric shock or fire due to heat generation.



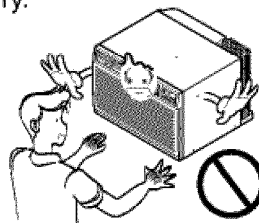
**Do not disassemble or modify products.**

- It may cause failure and electric shock.



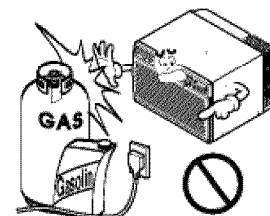
**Be caution when unpacking and installing.**

- Sharp edges may cause injury.



**Do not use the power cord near flammable gas or combustibles such as gasoline, benzene, thinner, etc.**

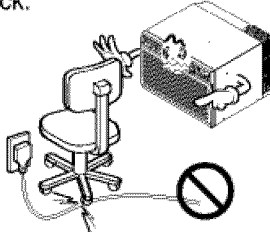
- It may cause explosion or fire.



## ■ Operation

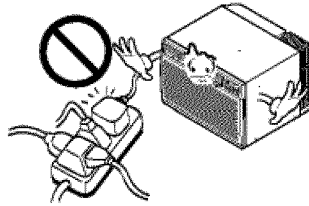
**Do not place heavy object on the power cord and take care so that the cord should not be pressed.**

- There is danger of fire or electric shock.



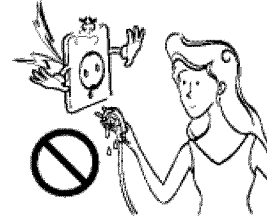
**Do not share the outlet with other appliances.**

- It will cause electric shock or fire due to heat generation.



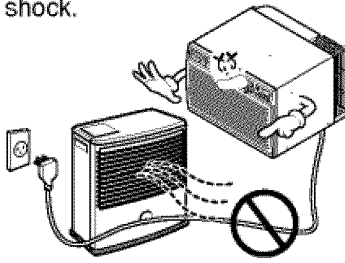
**Take the power plug out if necessary, holding the head of the plug and do not touch it with wet hands.**

- Otherwise, it may cause a fire or electrical shock.



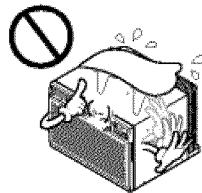
**Do not place the power cord near a heater.**

- It may cause fire and electric shock.



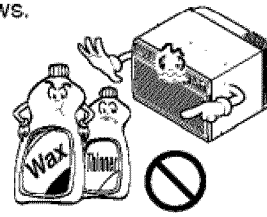
**Do not allow water to run into electric parts.**

- It will cause failure of machine or electric shock.



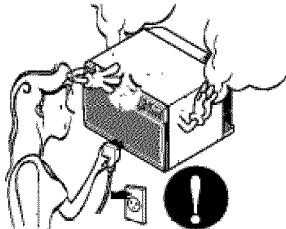
**Use a soft cloth to clean. Do not use wax, thinner, or a strong detergent.**

- The appearance of the air conditioner may deteriorate, change color, or develop surface flaws.



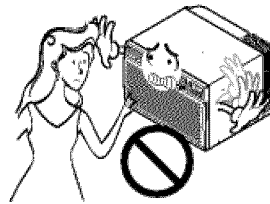
**Unplug the unit if strange sounds, odors, or smoke come from it.**

- Otherwise it may cause fire and electric shock accident.

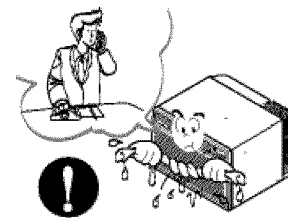


**Do not open the suction inlet grill of the product during operation.**

- Otherwise, it may electrical shock and failure.

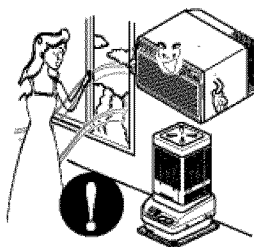


**If water enters the product, turn off the the power switch of the main body of appliance. Contact service center after taking the power-plug out from the socket.**



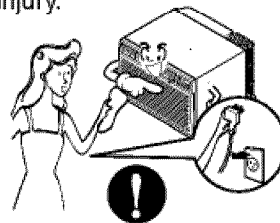
**Ventilate the room well when using this appliance together with a stove, etc.**

- An oxygen shortage may occur.



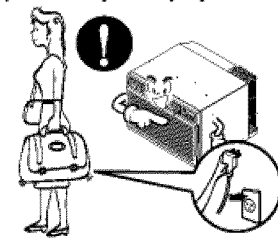
**Turn off the power and breaker firstly when cleansing the unit.**

- Since the fan rotates at high speed during operation, it may cause injury.



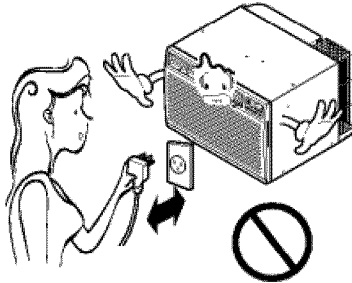
**Turn off the main power switch when not using it for a long time.**

- Prevent accidental startup and the possibility of injury.



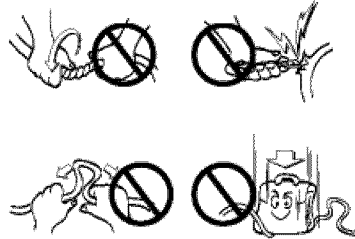
**Do not operate or stop the unit by inserting or pulling out the power plug.**

- It will cause electric shock or fire due to heat generation.



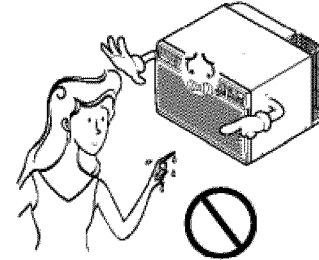
**Do not damage or use an unspecified power cord.**

- It will cause electric shock or fire.



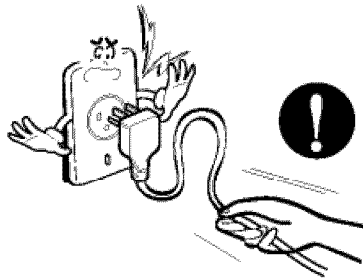
**Do not operate with wet hands or in damp environment.**

- It will cause electric shock.



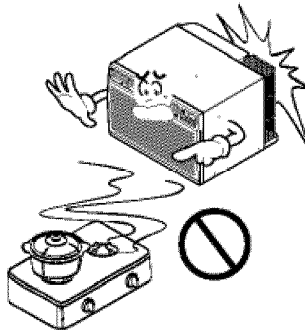
**Hold the plug by the head when taking it out.**

- It may cause electric shock and damage.



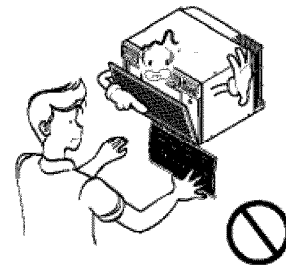
**When gas leaks, open the window for ventilation before operating the unit.**

- Otherwise, it may cause explosion, and a fire.



**Never touch the metal parts of the unit when removing the filter.**

- They are sharp and may cause injury.

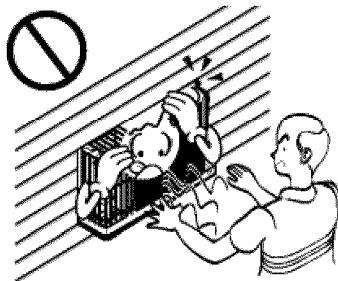


**CAUTION**

## ■ Installation

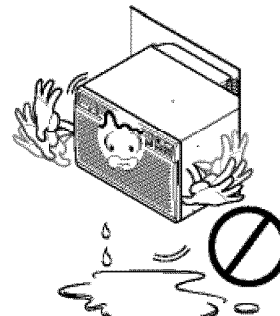
**Install the product so that the noise or hot wind from the outdoor unit may not cause any damage to the neighbors.**

- Otherwise, it may cause dispute with the neighbors.



**Keep level parallel in installing the product.**

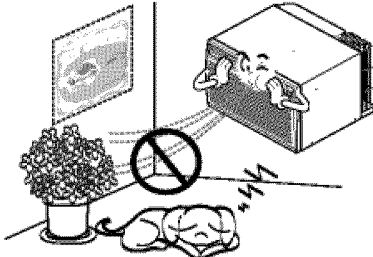
- Otherwise, it may cause vibration or water leakage.



## ■ Operation

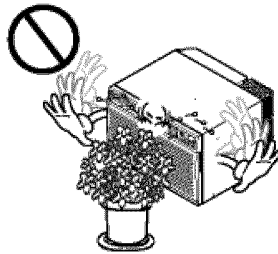
**Do not put a pet or house plant where it will be exposed to direct air flow.**

- It may cause injury.



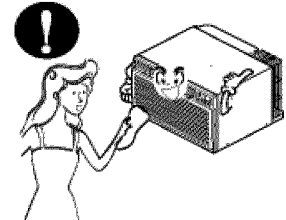
**Do not block the inlet or outlet of air flow.**

- It may cause product failure.



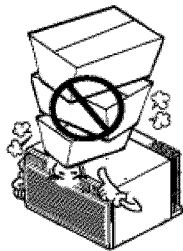
**Use a soft cloth to clean. Do not use wax, thinner, or a strong detergent.**

- The appearance of the air conditioner may deteriorate, change color, or develop surface flaws.



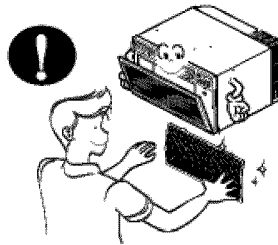
**Do not step on the indoor/outdoor unit and do not put anything on it.**

- It may cause an injury through dropping of the unit or falling down.



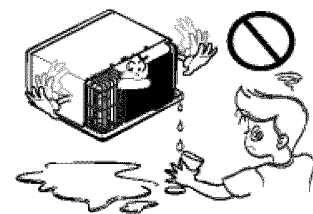
**Always insert the filter securely. Clean it every two weeks.**

- Operation without filters will cause failure.



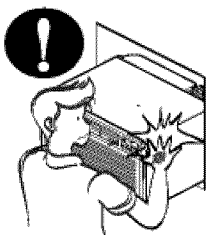
**Do not drink water drained from air conditioner.**

- It contains contaminants and will make you sick.



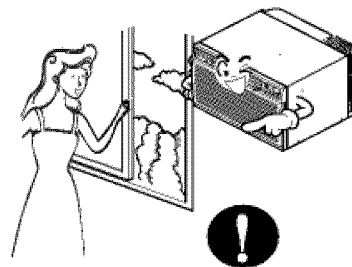
**Be cautious not to touch the sharp edges when installing.**

- It may cause injury.



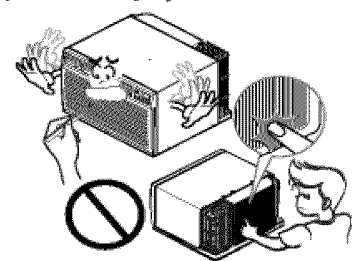
**Avoid excessive cooling and perform ventilation sometimes.**

- Otherwise, it may do harm to your health.



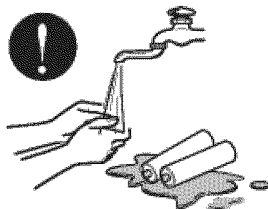
**Do not insert the hands or bars through the air inlet or outlet during operation.**

- Otherwise, it may cause personal injury.



**If the liquid from the batteries gets onto your skin or clothes, wash it well with clean water. Do not use the remote if the batteries have leaked.**

- The chemicals in batteries could cause burns or other health hazards.



**If you eat the liquid from the batteries, brush your teeth and see doctor. Do not use the remote if the batteries have leaked.**

- The chemicals in batteries could cause burns or other health hazards.



# Before Operation

## Preparing for Operation



1. Contact an installation specialist for installation.
2. Plug in the power plug properly.
3. Use a dedicated circuit.
4. Do not use an extension cord.
5. Do not start/stop operation by plugging/unplugging the power cord.
6. If the cord/plug is damaged, replace it with only an authorized replacement part.

## Usage



1. Being exposed to direct airflow for an extended period of time could be hazardous to your health. Do not expose occupants, pets, or plants to direct airflow for extended periods of time.
2. Due to the possibility of oxygen deficiency, ventilate the room when used together with stoves or other heating devices.
3. Do not use this air conditioner for non-specified special purposes (e.g. preserving precision devices, food, pets, plants, and art objects). Such usage could damage the items.

## Cleaning and Maintenance



1. Do not touch the metal parts of the unit when removing the filter. Injuries can occur when handling sharp metal edges.
2. Do not use water to clean inside the air conditioner. Exposure to water can destroy the insulation, leading to possible electric shock.
3. When cleaning the unit, first make sure that the power and breaker are turned off. The fan rotates at a very high speed during operation. There is a possibility of injury if the unit's power is accidentally triggered on while cleaning inner parts of the unit.

## Service



For repair and maintenance, contact your authorized service dealer.

# Introduction

## Symbols Used in this Manual



This symbol alerts you to the risk of electric shock.



This symbol alerts you to hazards that could cause harm to the air conditioner.

### **NOTICE**

This symbol indicates special notes.

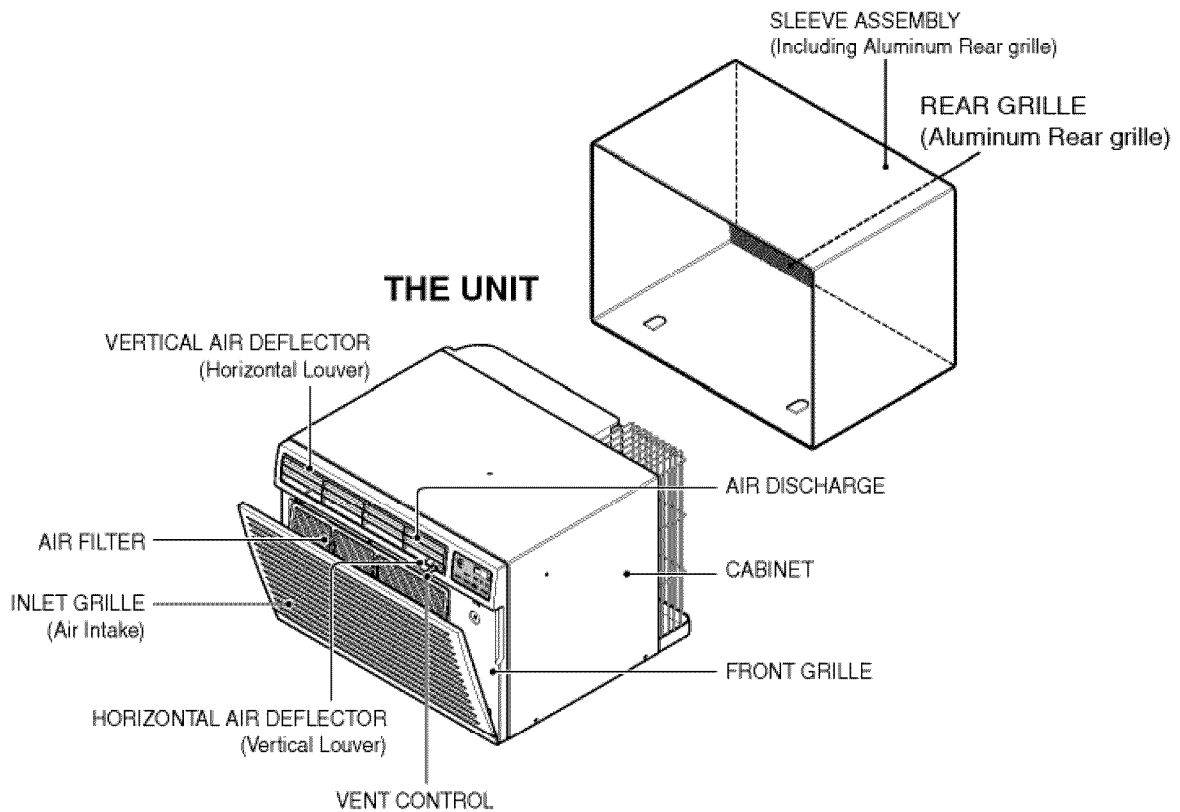
## Features

### **▲ WARNING**

This appliance should be installed in accordance with the National Electric Code.

### THE SLEEVE AND THE REAR GRILLE

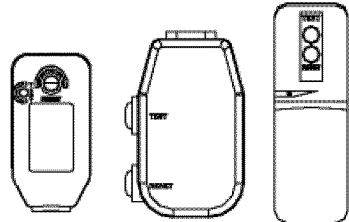
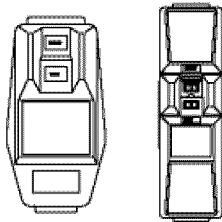
(optionally supplied with your unit)








# Electrical Safety

## Electrical Data

115V~	230V~	
		<p>Power cord may include a current interrupter device. A test and reset button is provided on the plug case. The device should be tested on a periodic basis by first pressing the TEST button and then the RESET button. If the TEST button does not trip or if the RESET button will not stay engaged, discontinue use of the air conditioner and contact a qualified service technician.</p>

### NOTICE

The shape may be different according to its model.

Use Wall Receptacle	Power Supply
 <p>Standard 125V, 3-wire grounding receptacle rated 15A, 125V AC</p>	<p>Use 15 AMP. time delay fuse or 15 AMP. circuit breaker.</p>
 <p>Standard 250V, 3-wire grounding receptacle rated 15A, 250V AC</p>	
 <p>Standard 250V, 3-wire grounding receptacle rated 20A, 250V AC</p>	<p>Use 20 AMP. time delay fuse or 20 AMP. circuit breaker.</p>

### NOTICE

DO NOT USE AN EXTENSION CORD on 230, 208, and 230/208 Volt units.

All wiring should be made in accordance with local electrical codes and regulations.

Aluminum house wiring may pose special problems. Consult a qualified electrician.

### ▲ WARNING

**Never push the test button during operation**

**Otherwise this plug can be damaged.**

This device contains chemical, including lead, known to the State of California to cause cancer, and birth defects or other reproductive harm.

Wash hands after handling.

Do not remove, modify or immerse this plug. If this device trips, the cause it to be corrected before further use.

### ▲ CAUTION

The conductors inside this cord are surrounded by shields, which monitor leakage current.

These shields are not grounded.

Periodically examine the cord for any damage. Do not use this product in the event the shields become exposed.

Avoid shock hazard, this unit can not be user serviced opening the tamper resistant. Sealed portion of the unit voids all warranties and performance claims. This unit not intended for use as an on-off switch.

## Electrical Safety



### **IMPORTANT (PLEASE READ CAREFULLY)**

**FOR THE USER'S PERSONAL SAFETY, THIS APPLIANCE MUST BE PROPERLY GROUNDED**

The power cord of this appliance is equipped with a three-prong (grounding) plug. Use this with a standard three-slot (grounding) wall power outlet to minimize the hazard of electric shock. The customer should have the wall receptacle and circuit checked by a qualified electrician to make sure the receptacle is properly grounded.

**DO NOT CUT OR REMOVE THE THIRD (GROUND) PRONG FROM THE POWER PLUG.**

### **A. SITUATIONS WHEN THE APPLIANCE WILL BE DISCONNECTED OCCASIONALLY:**

Because of potential safety hazards, we strongly discourage the use of an adapter plug. However, if you wish to use an adapter, a TEMPORARY CONNECTION may be made. Use UL-listed adapter, available from most local hardware stores.

The large slot in the adapter must be aligned with the large slot in the receptacle to assure a proper polarity connection.

### **⚠ CAUTION**

**: Attaching the adapter ground terminal to the wall receptacle cover screw does not ground the appliance unless the cover screw is metal, and not insulated, and the wall receptacle is grounded through the house wiring. The customer should have the circuit checked by a qualified electrician to make sure the receptacle is properly grounded.**

Disconnect the power cord from the adapter, using one hand on each. Otherwise, the adapter ground terminal might break. DO NOT USE the appliance with a broken adapter plug.

### **B. SITUATIONS WHEN THE APPLIANCE WILL BE DISCONNECTED OFTEN.**

Do not use an adapter plug in these situations. Unplugging the power cord frequently can lead to an eventual breakage of the ground terminal. The wall power outlet should be replaced by a three-slot (grounding) outlet instead.

### **USE OF EXTENSION CORDS**

Because of potential safety hazards, we strongly discourage the use of an extension cord. However, if you wish to use an extension cord, use a CSA certified/UL-listed 3-wire (grounding) extension cord, rated at 15A, 125V.

# Installation

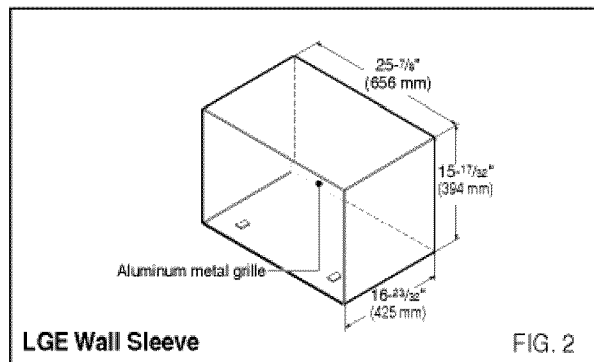
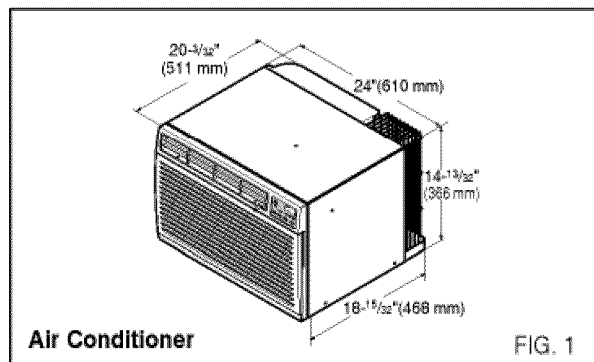
Remove packing materials from the wall sleeve and tape from the air conditioner.

## INSTALLATION REQUIREMENTS

If you use an existing wall sleeve, you should measure its dimensions.

Install the new air conditioner according to these installation instructions to achieve the best performance. All wall sleeves used to mount the new air conditioner must be in good structural condition and have a rear grille to securely attach the new air conditioner. (FIG. 1)

With the LGE sleeve (optionally supplied with your unit), you can maintain the best performance of the new air conditioner. (FIG. 2)

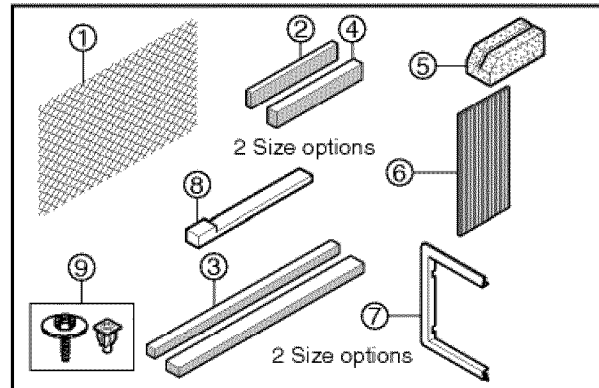


## ELECTRICAL SERVICE

Check your available electrical service. The power supply available must be the same as that shown on the unit nameplate (found on left side of cabinet).

All models are equipped with a 3-prong service plug to provide proper service and safe positive grounding. Do not change plug in any way. Do not use an adapter plug. If your present wall outlet does not match your plug, call a qualified electrician to make the necessary corrections. SAVE CARTON and this OWNER'S MANUAL for future reference. The carton is the best way to store unit during winter or when not in use.

## INSTALLATION HARDWARE



ITEM	NAME OF PARTS	Q'TY
①	PLASTIC GRILLE	1
②	VERTICAL INSULATION STRIP	1
③	AROUND INSULATION STRIPS	2
④	HORIZONTAL INSULATION STRIP	1
⑤	SUPPORT BLOCK	2
⑥	BAFFLE	1
⑦	TRIM FRAME	2
⑧	SHIM	2
⑨	PLASTIC NUTS AND WASHER SCREWS	4

## ⚠ CAUTION

To avoid risk of personal injury, property damage, or product damage due to the weight of this device and sharp edges that may be exposed:

- Air conditioners covered in this manual pose an excessive weight hazard. Two or more people are needed to move and install the unit. To prevent injury or strain, use proper lifting and carrying techniques when moving unit.
- Carefully inspect location where air conditioner will be installed. Be sure it will support the weight of the unit over an extended period of time.
- Handle air conditioner with care. Wear protective gloves whenever lifting or carrying the unit. AVOID the sharp metal fins of front and rear coils.
- Make sure air conditioner does not fall during installation.

## REQUIRED TOOLS:

- Tight Fitting gloves
- Standard screwdriver
- Phillips screwdriver
- Pliers
- Sharp knife
- 3/8-inch open end wrench or adjustable wrench
- 1/4-inch hex socket and ratchet
- Tape measure
- Electric drill
- 1/4-inch drill bit

## INSTALLATION

### ▲ CAUTION

We strongly recommend the removal of the old wall sleeve and the installation of a new LGE Wall Sleeve.

If you decide to keep the existing wall sleeve, you have to redirect the louvers at the back of the wall sleeve illustration. The use of pliers is recommended. If you DO NOT redirect, you run the risk of poor performance or product failure. This is not covered under the terms of the LGE warranty.

- Pick a location which will allow the conditioned air to blow into the area you want. Good installation with special attention to the proper position of the unit will lessen the chance that service will be needed.

### ITEMS IN INSTALLATION HARDWARE

You may not need all parts in the kit. Discard unused parts

ITEM (inches)	Qty.	
Plastic grille	26 <sup>3</sup> / <sub>4</sub> x 16 <sup>1</sup> / <sub>2</sub>	1
Vertical insulation strip	15 <sup>9</sup> / <sub>16</sub> x 1 <sup>3</sup> / <sub>8</sub> x 1 <sup>3</sup> / <sub>8</sub>	1
Around Insulation Strips	67 <sup>1</sup> / <sub>8</sub> x 1 <sup>3</sup> / <sub>8</sub> x 2 <sup>5</sup> / <sub>32</sub>	1
	59 <sup>27</sup> / <sub>32</sub> x 1 <sup>3</sup> / <sub>8</sub> x 1 <sup>3</sup> / <sub>8</sub>	1
Horizontal Insulation Strip	23 <sup>7</sup> / <sub>32</sub> x 1 <sup>3</sup> / <sub>8</sub> x 1 <sup>3</sup> / <sub>16</sub>	1
Support Block	1 <sup>3</sup> / <sub>4</sub> x 1 <sup>3</sup> / <sub>8</sub> x 4 <sup>5</sup> / <sub>16</sub>	2
Baffle	14 x 4 <sup>1</sup> / <sub>2</sub> x 1 <sup>1</sup> / <sub>8</sub>	1
Shim	11 <sup>13</sup> / <sub>16</sub> x 1 x 3 <sup>3</sup> / <sub>4</sub>	2
Trim Frame		2
Washer Screw		4
Nuts(Plastic)		4
Grille Rear		1

### HOW TO INSTALL

- 1 Identify the existing wall sleeve before installing the unit from the listed below.

Brand	Wall Sleeve Dimensions (inches)		
	Width	Height	Depth
White-Westinghouse Frigidaire Carrier (52F series)	25-1/2	15-1/4	16, 17-1/2 or 22
General Electric /Hotpoint	26	15-5/8	16-7/8
Whirlpool	25-7/8	16-1/2	17-1/8 or 23
Fedders/Emerson	27	16-3/4	16-3/4 or 19-3/4
LGE	25-7/8	15-17/32	16-23/32
Emerson/Fedders	26-3/4	15-3/4	15
Carrier (51S Series)	25-3/4	16-7/8	18-5/8
Friedrich	27	16-3/4	16-3/4

### NOTICE

All wall sleeves used to mount the new Air Conditioner must be in sound structural condition and have a rear grille that securely attaches to sleeve, or rear flange that serves as a stop for the Air Conditioner.

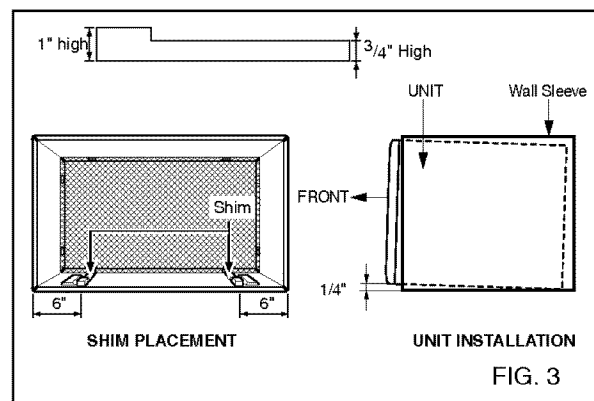
- 2 Remove old air conditioner from existing wall sleeve.
- 3 Clean the interior of an existing sleeve. (Do not disturb seals.)
- 4 Wall sleeve must be securely fastened in wall before installing the air conditioner. Use the nails or screws through sleeve into wall, if needed. Repaint sleeve if needed.
- 5 Prepare the wall sleeve for installation of the unit. If you plan to use your existing wall sleeve, and it is not LGE, use procedure B or C below.

Procedure	Brand	Depth(inches)
A	LGE	16-23/32
B	White-Westinghouse Frigidaire Carrier (52F series)	16, 17-1/2 or 22
	General Electric /Hotpoint	16-7/8
	Whirlpool	17-1/8 or 23
	Carrier (51S series)	18-5/8
C	Fedders/Emerson	16-3/4 or 19-3/4
	Emerson/Fedders	15
	Friedrich	16-3/4

- 6 Install new unit into wall sleeve.

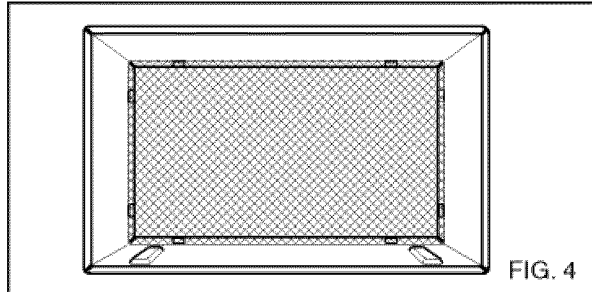
### ▲ CAUTION

When installation is completed, replacement unit MUST have a rearward slope as shown. To achieve 1/4" slope, remove the backing from the 11-13/16" shim strips and attach them as shown below in Fig. 3. Place the higher portion of shim to the front of the rib on base of wall sleeve.

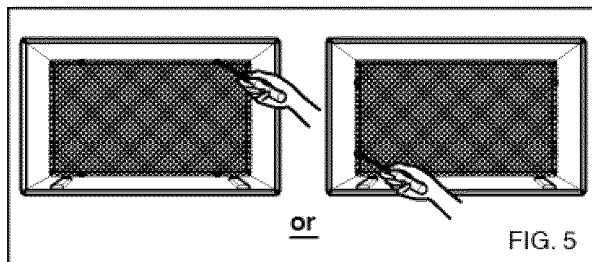


## PROCEDURE A

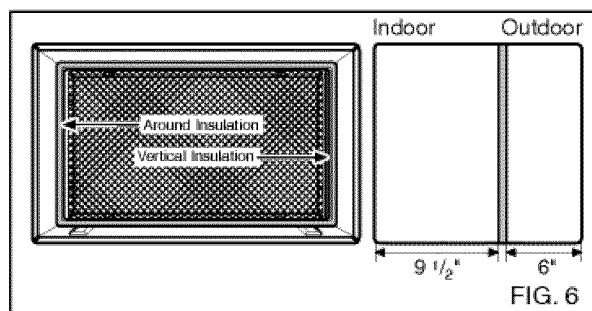
- 1** If you are using the new sleeve (optionally supplied with your unit), skip to step 3. Otherwise, install the plastic grille from the kit. Cut the plastic grille to 25-1/2" wide and 15-1/4" high. Place the plastic grille to the inside of the wall sleeve at the rear flange.



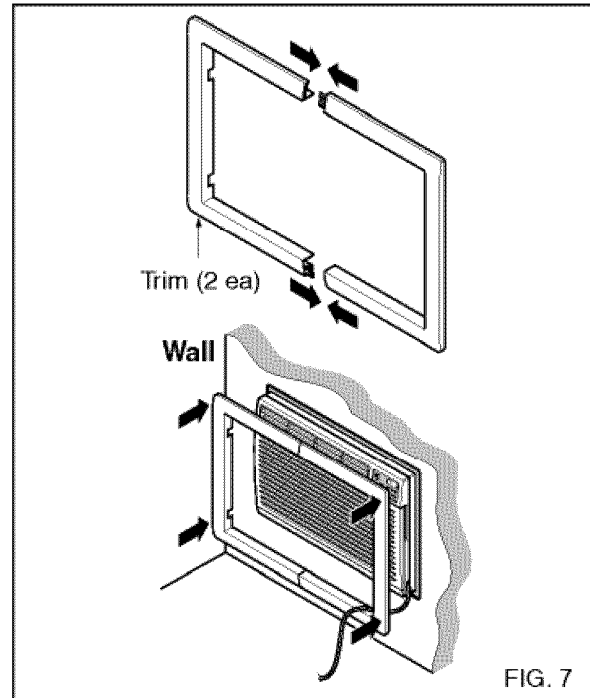
- 2** Fasten the 4 washer screws to secure the grille to the wall sleeve. If you need plastic nuts to mount plastic grille to the inside of the wall sleeve, there are plastic nuts in the installation kit. The nuts are installed from the inside of the sleeve and are pressing into the square holes of the rear flanges.



- 3** Remove the backing from the Vertical Insulation strip 15<sup>9</sup>/<sub>16</sub> x 1<sup>3</sup>/<sub>8</sub> x 1<sup>3</sup>/<sub>8</sub> and attach that to the inside right of the sleeve as shown below. Remove the backing from the Around Insulation strip 67<sup>1</sup>/<sub>8</sub> x 1<sup>3</sup>/<sub>8</sub> x 2<sup>5</sup>/<sub>32</sub> and attach that to the inside front of the sleeve as shown below.



- 4** Install the new unit into the wall sleeve.
- 5** To assemble trim, snap the tab of each piece into the slot of the other piece as shown below. Slide trim over the front of the air conditioner until trim is flush with sleeve as shown below.



### ⚠ CAUTION

- Air conditioners covered in this manual pose an excessive weight hazard. Two or more people are needed to move and install the unit. To prevent injury or strain, use proper lifting and carrying techniques when moving unit.
- When handling the air conditioner, be careful to avoid cuts from sharp metal fins on front and rear coils.
- Make sure air conditioner does not fall during removal.
- If unit does not operate after installation check, to be sure the circuit interrupter has not been tripped. Refer to the Troubleshooting guide for reset procedure.

## PROCEDURE B

- 1 Redirect the louvers at the back of the wall sleeve to 60° angle as shown in the FIG 8. The use of pliers is recommended.

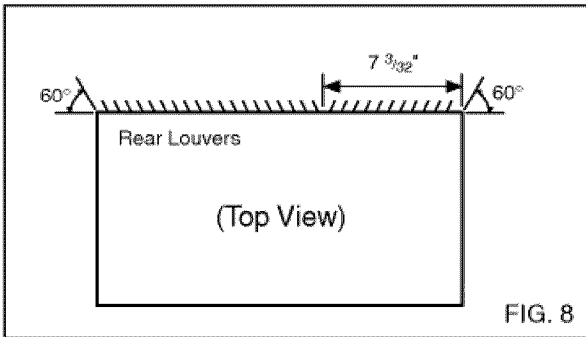
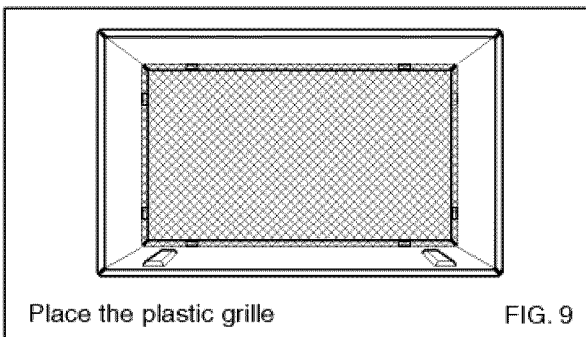


FIG. 8

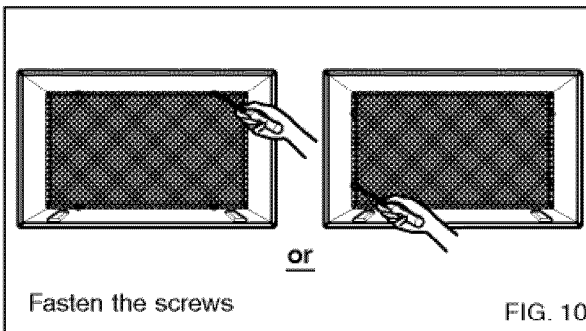
- 2 If the wall sleeve already has a rear grille, skip to step 4. If the wall sleeve does not have a rear grille or louvered panel, install the plastic grille from the kit. Cut the plastic grille to 25-1/2" wide and 15-1/4" high. Place the plastic grille to the inside of the wall sleeve at the rear flange.



Place the plastic grille

FIG. 9

- 3 Fasten the 4 washer screws to secure the grille to the wall sleeve. If you need plastic nuts to mount plastic grille to the inside of the wall sleeve, there are plastic nuts in the installation kit. The nuts are installed from the inside of the sleeve and are pressed into the square holes of the rear flanges.



Fasten the screws

FIG. 10

- 4 Remove the backing from the Vertical Insulation strip 15<sup>9</sup>/<sub>16</sub> x 1<sup>3</sup>/<sub>8</sub> x 1<sup>3</sup>/<sub>8</sub> and attach that to the inside right of the sleeve as shown below. Remove the backing from the Around Insulation strip 67<sup>1</sup>/<sub>8</sub> x 1<sup>3</sup>/<sub>8</sub> x 2<sup>5</sup>/<sub>32</sub> and attach that to the inside front of the sleeve as shown below.

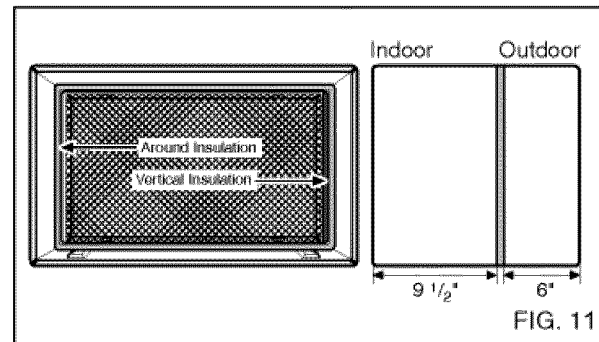


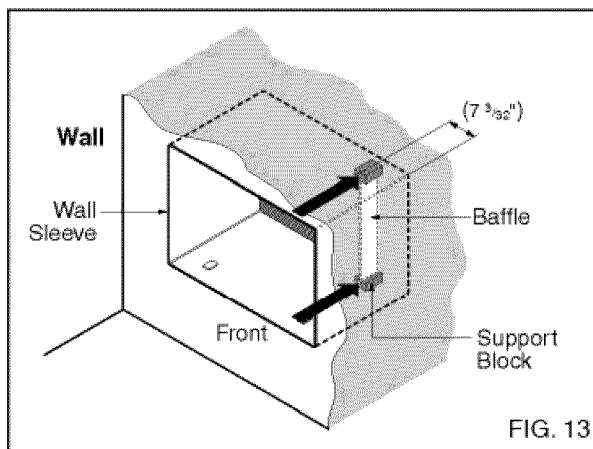
FIG. 11

- 5 If the depth of your existing wall sleeve is less than or equal to 18", skip to step 6. Otherwise, cut the baffles and the support blocks according to length "A" in the table below.

Depth "D" of the existing wall sleeve (inches)	Length "A" (inches)	FIG. 12
$18 < D \leq 18\text{-}\frac{5}{8}$	$\frac{3}{4}$	
$18\text{-}\frac{5}{8} < D \leq 19\text{-}\frac{3}{4}$	$1\text{-}\frac{3}{4}$	
$19\text{-}\frac{3}{4} < D \leq 22$	4	

## PROCEDURE B

- 6** Remove the backing from the support blocks and attach them to the inside of the wall sleeve as shown FIG 13. Slide the baffle into slots of the support blocks.



- 7** Install the new unit into the wall sleeve.
- 8** Assemble trim as described in Step 5, Procedure A.

### **!** CAUTION

- Air conditioners covered in this manual pose an excessive weight hazard. Two or more people are needed to move and install the unit. To prevent injury or strain, use proper lifting and carrying techniques when moving unit.
- When handling the air conditioner, be careful to avoid cuts from sharp metal fins on front and rear coils.
- Make sure air conditioner does not fall during removal.
- If unit does not operate after installation check, to be sure the circuit interrupter has not been tripped. Refer to the Troubleshooting guide for reset procedure.

## PROCEDURE C

- 1 Redirect the louvers at the back of the wall sleeve to 60° angle as shown in the FIG 14. The use of pliers is recommended.

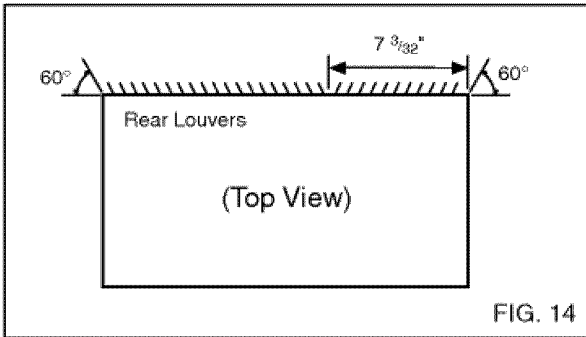
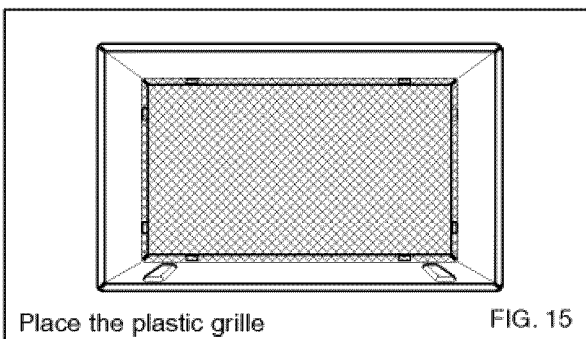


FIG. 14

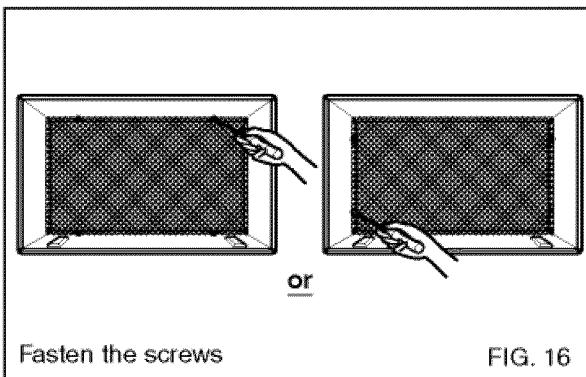
- 2 If the wall sleeve already has a rear grille, skip to step 4. If the wall sleeve does not have a rear grille or louvered panel, install the plastic grille from the kit. Cut the plastic grille to 26-1/2" wide and 15-1/2" high. Place the plastic grille to the inside of the wall sleeve at the rear flange.



Place the plastic grille

FIG. 15

- 3 Fasten the 4 washer screws to secure the grille to the wall sleeve. If you need plastic nuts to mount plastic grille to the inside of the wall sleeve, there are plastic nuts in the installation kit. The nuts are installed from the inside of the sleeve and are pressed into the square holes of the rear flanges.



Fasten the screws

FIG. 16

- 4 Remove the backing from the Horizontal Insulation strip  $23^{7/32} \times 1^{3/8} \times 1^{3/16}$  and attach that to the inside right of the sleeve as shown below. Remove the backing from the Around Insulation strip  $59^{27/32} \times 1^{3/8} \times 1^{3/8}$  and attach that to the inside front of the sleeve as shown below.

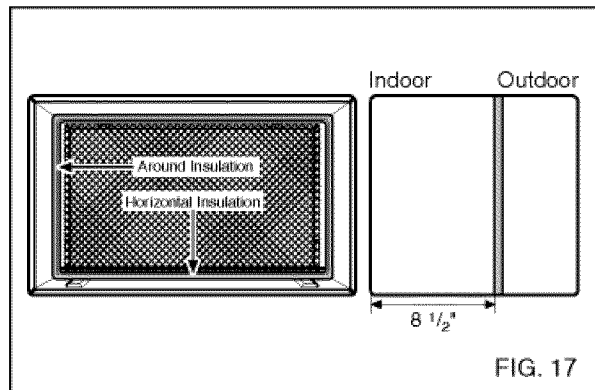


FIG. 17

- 5 If the depth of your existing sleeve is less than or equal to 18", skip to step 7. Otherwise, cut the baffles and the support blocks according to Length "A" in the table below.

Depth "D" of the existing wall sleeve (inches)	Length "A" (inches)	FIG. 18
$18 < D \leq 18\text{-}5/8$	$3/4$	
$18\text{-}5/8 < D \leq 19\text{-}3/4$	$1\text{-}3/4$	
$19\text{-}3/4 < D \leq 22$	4	

- 6 Remove the backing from the support blocks and attach them to the inside of the wall sleeve as shown FIG 19. Slide the baffle into slots of the support blocks

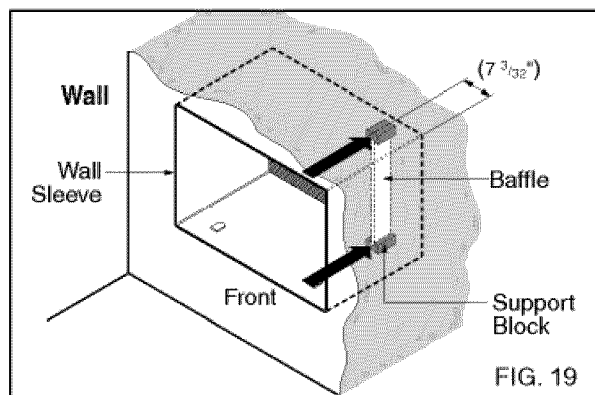
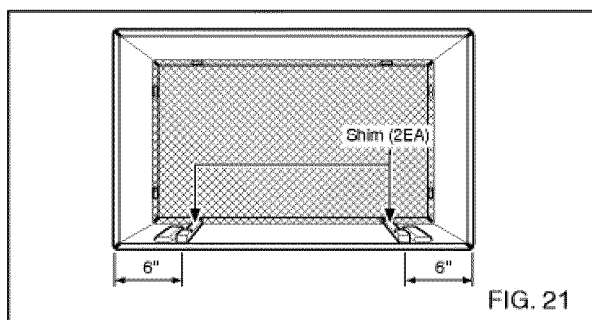
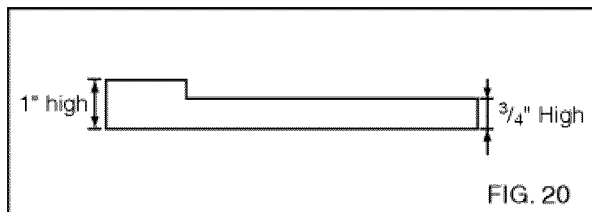


FIG. 19



## PROCEDURE C

- 7** To achieve rearward slope for unit draining, remove the backing from the  $1\frac{13}{16}$ " shim strips and attach them as shown below in Fig. 21. The higher portion of shim is to be placed in front of the rib on the base of wall sleeve.



- 8** Install the new unit into the wall sleeve

- 9** Assemble trim as described in Step 6, Procedure A.

## CAUTION

- Air conditioners covered in this manual pose an excessive weight hazard. Two or more people are needed to move and install the unit. To prevent injury or strain, use proper lifting and carrying techniques when moving unit.
- When handling the air conditioner, be careful to avoid cuts from sharp metal fins on front and rear coils.
- Make sure air conditioner does not fall during removal.
- If unit does not operate after installation check, to be sure the circuit interrupter has not been tripped. Refer to the Troubleshooting guide for reset procedure.

ENGLISH

# Operating Instructions

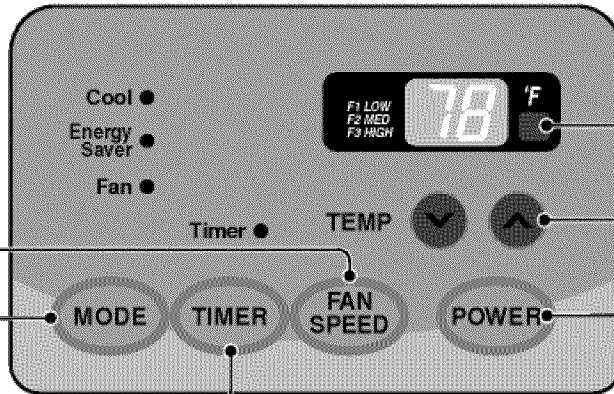
## Controls



The controls will look like one of the following.

### FAN SPEED

- Every time you push this button, it advances the setting as follows: {High → Low → Med → High}



### REMOTE CONTROL SIGNAL RECEIVER

### TEMPERATURE SETTING

- Use this button to automatically control the temperature of the room.
- The temperature can be set within a range of 60°F to 86°F by increments of 1°F.
- The setting appears in the display.

### POWER

- To turn the air conditioner ON, push this button.
- To turn the air conditioner OFF, push the button again.
- This button takes priority over any other button.
- When you first turn it on, the unit is in cool mode, High fan speed, Temperature setting at 72°F.

### TIMER

#### - SHUT-OFF TIME

- You will usually use shut-off time while you sleep.
- If unit is running, use Timer to set number of hours until shut-off.
- For your sleeping comfort, once Time is set, the Temperature setting will raise 2°F after 30 min., and once again after another 30 min.
- Push Timer button to advance setting from 1Hour → 2Hours → ... → 12Hours maximum.

#### - START TIME

- If unit is off, use Timer to set number of hours before unit starts.
- Push Timer button to advance setting from 1Hour → 2Hours → ... → 12Hours maximum.

### MODE

- Push this button to shift mode of operation from COOL → ENERGY SAVER → FAN.

#### - COOL:

- Fan runs continually for normal cooling operation.

#### - ENERGY SAVER:

- The fan stops when the compressor stops cooling. Approximately every 3 minutes the fan will turn on and the unit will check the room air temperature to determine if cooling is needed.

#### - FAN:

- Fan-only operation.

### AUTO RESTART

When power is restored after an electrical power failure, the unit will begin to run at its last setting.

## Remote control



The remote control and control panel will look like one of the following pictures.

### POWER

- To turn the air conditioner ON, push this button.
- To turn the air conditioner OFF, push the button again.
- This button takes priority over any other button.
- When you first turn it on, the unit is in cool mode, High fan speed, Temperature setting at 72°F.
- Auto Restart  
In the event at a power failure, the unit will run at the previous setting once power returns.

### TEMPERATURE SETTING

- Use this button to automatically control the temperature of the room. The temperature can be set within a range of 60°F to 86°F by increments of 1°F.
- The setting appears in the display.

### FAN SPEED

- Every time you push this button it advances the setting as follows:  
(High → Low → Med → High)

### TIMER

#### - SHUT-OFF TIME

- You will usually use shut-off time while you sleep.
- If unit is running, use Timer to set number of hours until shut-off.
- For your sleeping comfort, once Time is set, the Temperature setting will raise 2°F after 30 min, and once again after another 30 min.
- Push Timer button to advance setting from 1Hour → 2Hours → ... → 12Hours maximum.

#### - START TIME

- If unit is off, use Timer to set of hours before unit starts.
- Push Timer button to advance setting from 1Hour → 2Hours → ... → 12Hours maximum.

### MODE

- Push this button to shift mode of operation from COOL → ENERGY SAVER → FAN.

#### - COOL:

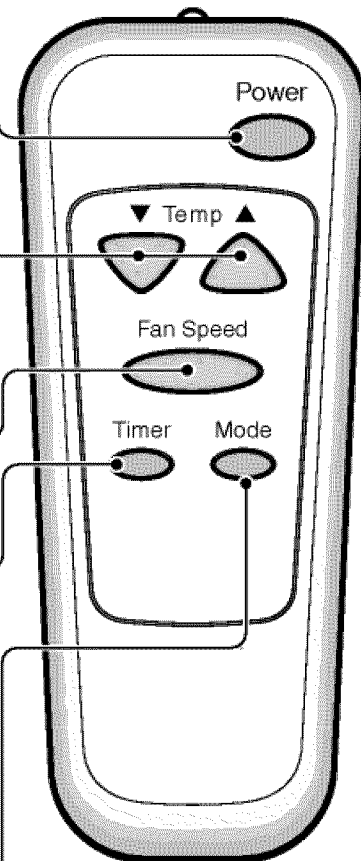
- Fan runs continually for normal cooling operation.

#### - ENERGY SAVER:

- The fan stops when the compressor stops cooling. Approximately every 3 minutes the fan will turn on and the unit will check the room air temperature to determine if cooling is needed.

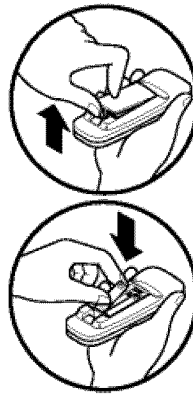
#### - FAN:

- Fan-only operation.



## How to insert Batteries

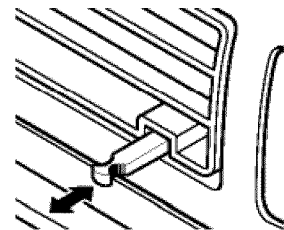
1. Remove the cover from the back of the remote controller.
2. Insert two batteries.
  - Be sure that the (+) and (-) directions are correct.
  - Be sure that both batteries are new.
3. Re-attach the cover.



- Do not use rechargeable batteries. Such batteries differ from standard dry cells in shape, dimensions, and performance.
- Remove the batteries from the remote controller if the air conditioner is not going to be used for an extended length of time.

## Ventilation

The ventilation lever is located in the right of the air discharge. The ventilation lever must be in the CLOSE position in order to maintain the best cooling conditions. When fresh air is necessary in the room, set the ventilation lever to the OPEN position. The damper is opened and room air is exhausted outside.



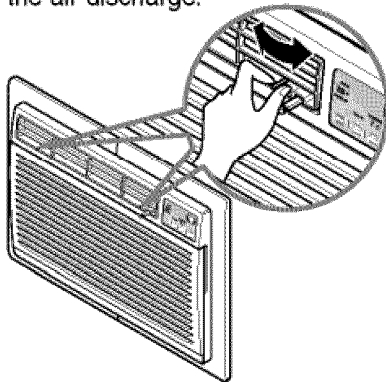
PULL OPEN / PUSH CLOSE

## Air Direction

The direction of air can be controlled wherever you want by adjusting the horizontal louver and the vertical louver.

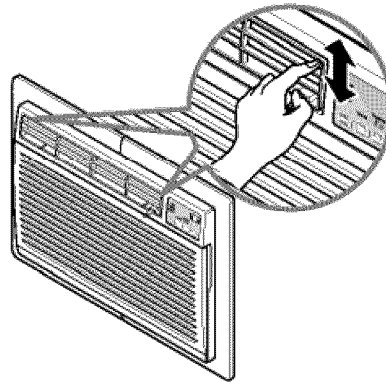
### • HORIZONTAL AIR-DIRECTION CONTROL

The horizontal air direction is adjusted by moving vertical louver. The lever of vertical louver is located in the right and left side of the air discharge.



### • VERTICAL AIR-DIRECTION CONTROL

The vertical air direction is adjusted by moving the horizontal louver.



# Maintenance and Service

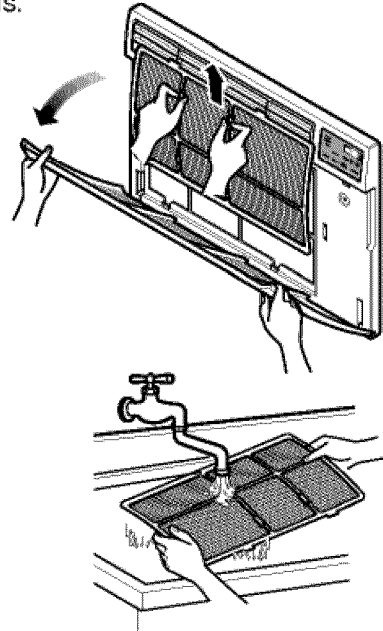
TURN THE AIR CONDITIONER OFF AND REMOVE THE PLUG FROM THE POWER OUTLET.

## Air Filter Cleaning

The air filter should be checked at least twice a month to see if cleaning is necessary. Trapped particles in the filter will build up and block the airflow. This reduces the cooling capacity and also causes an accumulation of frost on the cooling coils.

If the filter becomes torn or damaged you should replace immediately. Replacement filters are available from your salesperson, dealer, and the authorized customer service centers.

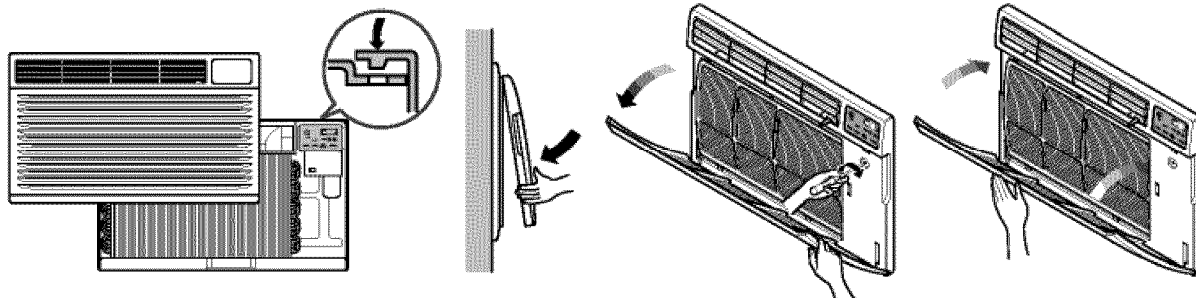
1. Open the inlet grille downward by pulling out the top of the inlet grille.
2. Remove the air filter from the front grille assembly by pulling the air filter up slightly.
3. Wash the filter using lukewarm water below 40°C (104°F).
4. Gently shake the excess water from the filter completely. Replace the filter.



## How to Attach Front Grille to Cabinet

The front grille can be removed for cleaning or to check the model and serial numbers. For your safety, you should attach the front grille as the following procedures.

1. Pull down front grille from the cabinet top.
2. Push front grille's tips toward the cabinet in order to insert front grille's tabs into the cabinet.
3. Open the inlet grille.
4. Tighten the screw through the front grille into the plate of control box.
5. Close inlet grille.



## Common Problems and Solutions



Troubleshooting Tips Save time and money!

Review the chart below first and you may not need to call for service.

## Normal Operation



- You may hear a pinging noise caused by water being picked up and thrown against the condenser on rainy days or when the humidity is high. This design feature helps remove moisture and improve efficiency.
- You may hear the thermostat click when the compressor cycles on and off.
- Water will collect in the base pan during high humidity or on rainy days. The water may overflow and drip from the outdoor side of the unit.
- The fan may run even when the compressor does not.

## Troubleshooting



Problem	Possible Causes	What To Do
<b>Air conditioner does not start</b>	■ The air conditioner is unplugged.	• Make sure the air conditioner plug is pushed completely into the outlet.
	■ The fuse is blown/circuit breaker is tripped.	• Check the house fuse/circuit breaker box and replace the fuse or reset the breaker.
	■ Power failure.	• If power failure occurs, turn the mode control to OFF. When power is restored, wait 3 minutes to restart the air conditioner to prevent tripping of the compressor overload.
	■ The current interrupter device is tripped.	• Press the RESET button located on the power cord plug. If the RESET button will not stay engaged, discontinue use of the air conditioner and contact a qualified service technician.
<b>Air conditioner does not cool as it should</b>	■ Airflow is restricted.	• Make sure there are no curtains, blinds, or furniture blocking the front of the air conditioner.
	■ TEMP Control set too higher number.	• Set the TEMP control to a lower number.
	■ The air filter is dirty.	• Clean the filter at least every 2 weeks. See the operating instructions section.
	■ The room may have been hot.	• When the air conditioner is first turned on, you need to allow time for the room to cool down.
	■ Cold air is escaping.	• Check for open furnace floor registers and cold air returns. • Set the air conditioner's vent to the closed position.
<b>Air conditioner freezing up</b>	■ Cooling coils have iced up.	• See Air Conditioner Freezing Up below.
	■ Ice blocks the air flow and stops the air conditioner from cooling the room.	• Set the mode control at High Fan or High Cool with the high temperature.

ENGLISH

# TABLA DE CONTENIDOS

Precauciones de Seguridad .....	25
Antes de poner el equipo en funcionamiento.....	29
Introducción.....	30
Seguridad Eléctrica .....	31
Instalación.....	33
Instrucciones de Funcionamiento.....	40
Cuidado y Mantenimiento .....	43



## PARA SUS ARCHIVOS

Escriba aquí el modelo y número de serie:

**Modelo n°:**

**Serie n°:**

Puede encontrar estos datos en la etiqueta situada en el lateral de cada unidad.

**Nombre del distribuidor:**

**Fecha de compra:**

- Adjunte su recibo a esta página con la grapadora para el momento que lo necesite para probar la fecha de su adquisición o para la validación de la garantía.



## LEA ESTE MANUAL

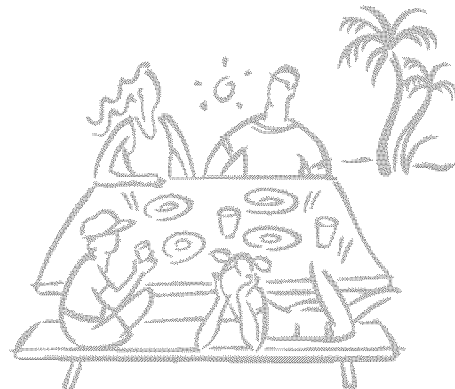
En su interior encontrará muchos consejos útiles sobre la utilización y mantenimiento de su acondicionador de aire. Unos pocos cuidados por su parte le pueden ahorrar mucho tiempo y dinero durante la vida de su acondicionador de aire.

En la tabla de consejos para la solución rápida de problemas encontrará muchas respuestas a los problemas más habituales. Si revisa primero nuestra **Tabla de Consejos** para la solución rápida de problemas, tal vez no necesite llamar nunca al servicio técnico.



## PRECAUCIÓN

- Póngase en contacto con un técnico del servicio autorizado para realizar la reparación y mantenimiento de esta unidad.
- Póngase en contacto con un instalador para realizar la instalación de esta unidad.
- Cuando se va a cambiar el cable eléctrico, el trabajo de reemplazamiento debe ser realizado únicamente por personal autorizado, utilizando las piezas de cambio genuinas únicamente.
- El trabajo de reemplazamiento debe ser realizado de acuerdo con el Código Eléctrico Nacional únicamente por personal autorizado.





# Precauciones de Seguridad

Para evitar lesiones al usuario o a otras personas y daños a la propiedad, estas instrucciones estén seguirse.

- Una operación incorrecta por ignorar las instrucciones provocará lesiones o daños. La seriedad se clasifica por las siguientes indicaciones.

**⚠ ADVERTENCIA** Este símbolo indica la posibilidad de muerte o de seria lesión.

**⚠ PRECAUCION** Este símbolo indica sólo la posibilidad de lesiones o daños a la propiedad

- Significados de los símbolos utilizados en este manual.

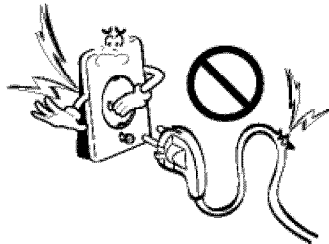
	<b>No hacer.</b>
	<b>Siga estas instrucciones.</b>

## ⚠ ADVERTENCIA

### ■ Instalación

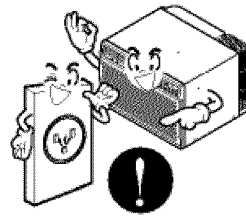
**No utilice un cable de alimentación, enchufe o una toma suelta que esté dañada.**

- De lo contrario, podría provocar un incendio o descarga eléctrica.



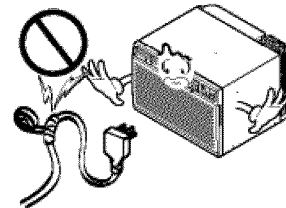
**Enchufe siempre a un tomacorriente que tenga toma a tierra.**

- De lo contrario, podría provocar un incendio o descarga eléctrica.



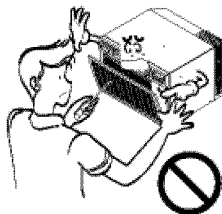
**No modifique ni alargue el cable de alimentación.**

- De lo contrario, puede provocar una descarga eléctrica o incendio debido a la generación de calor.



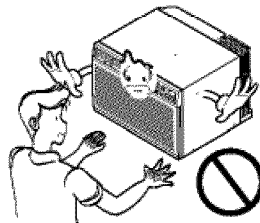
**No desmonte ni modifique los productos.**

- Puede ocasionar fallos y una descarga eléctrica.



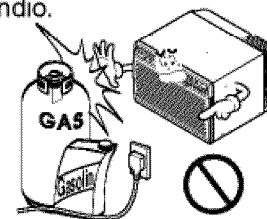
**Tenga cuidado al desembalar e instalar el aparato.**

- Los bordes afilados pueden provocar lesiones.



**No use el cable de alimentación cerca gas inflamable o materiales combustibles tales como la gasolina, benceno, disolvente, etc.**

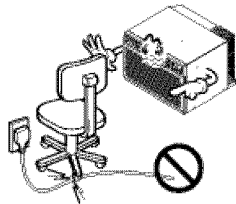
- Podría ocurrir una explosión o incendio.



## Operación

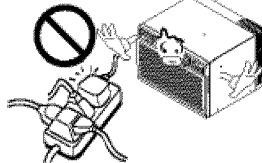
No use el cable de alimentación cerca gas inflamable o materiales combustibles tales como la gasolina, benceno, disolvente, etc.

- Puede ocasionar una explosión o descarga eléctrica.



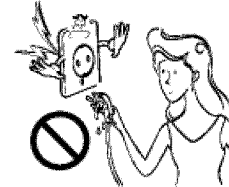
No comparta el tomacorriente con otros electrodomésticos.

- De lo contrario, puede provocar una descarga eléctrica o incendio debido a la generación de calor.



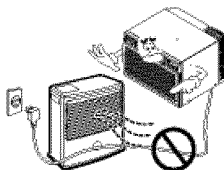
Saque el enchufe en caso de necesidad, sosteniendo la cabeza del enchufe y no lo toque con las manos mojadas.

- De lo contrario, podría provocar un incendio o descarga eléctrica.



No ponga el cable de alimentación cerca de un calentador.

- Puede ocasionar un incendio y una descarga eléctrica.



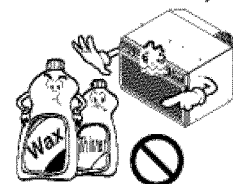
No permita que entre agua en las piezas eléctricas.

- Puede provocar fallos en el producto o descargas eléctricas.



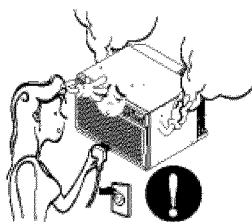
Utilice un paño suave para limpiar. No utilice cera, disolventes o detergentes fuertes.

- La apariencia del aparato de aire acondicionado puede deteriorar, cambiar el color o desarrollar flujos en las superficies.



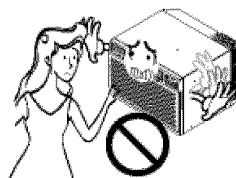
Desenchufe la unidad si oye un sonido extraño, olores, o si observa salir humo.

- De lo contrario, puede ocurrir un incendio y un accidente por descarga eléctrica.

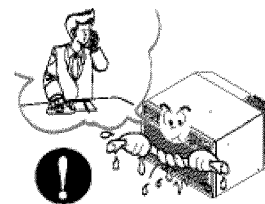


No abra la parrilla de entrada al aparato mientras está en funcionamiento.

- De lo contrario, pueden ocurrir descargas eléctricas y fallos.

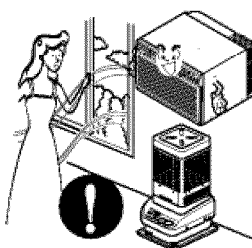


Si entra agua en el producto, apague el interruptor de la carcasa principal del aparato. Póngase en contacto con el centro de servicio después de haber sacado el enchufe del tomacorriente.



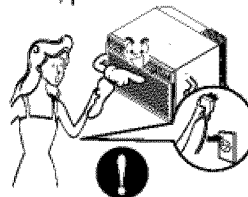
Ventile bien la sala al usar este aparato con una estufa, etc.

- Puede ocurrir un falta de oxígeno.



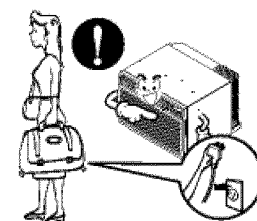
Apague el aparato y el interruptor diferencial primero antes de limpiar la unidad.

- Debido a que el ventilador gira a alta velocidad durante el funcionamiento, podría ocasionar lesiones.



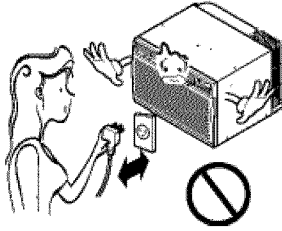
Apague el interruptor de alimentación principal cuando no vaya a utilizar el aparato durante mucho tiempo.

- Evitará el arranque accidental y la posibilidad de lesiones.



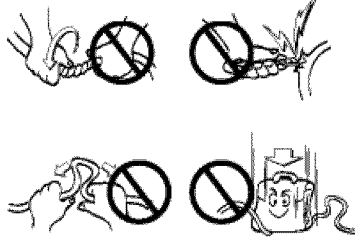
**No opere ni detenga la unidad insertando o estirando de enchufe.**

- De lo contrario, puede provocar una descarga eléctrica o incendio debido a la generación de calor.



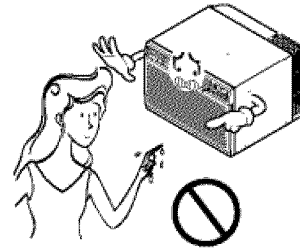
**No dañe ni use un enchufe de alimentación no especificado.**

- Provocará descargas eléctricas o incendios.



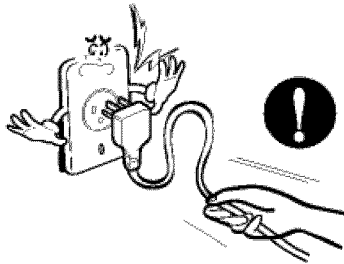
**No toque el producto con las manos mojadas o en un ambiente húmedo.**

- Provocará descargas eléctricas.



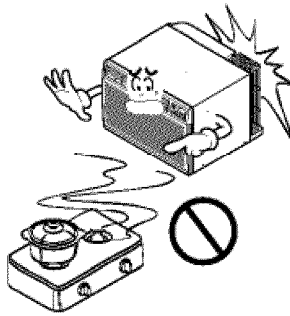
**Sostenga el enchufe por su cabeza al sacarlo.**

- Podría ocasionar una descarga eléctrica y daños.



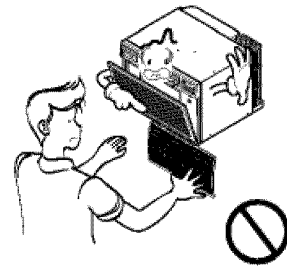
**Cuando haya un escape de gas, abra la ventana para ventilar antes de poner en marcha la unidad.**

- De lo contrario, podría ocurrir una explosión o incendio.



**No toque las partes metálicas del aparato al sacar el filtro del aire.**

- Son puntiagudas y pueden provocar lesiones.

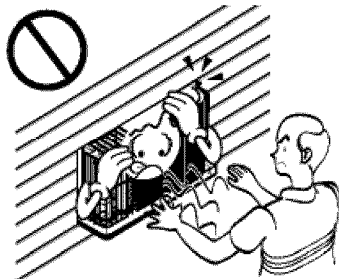


**⚠ ADVERTENCIA**

**■ Instalación**

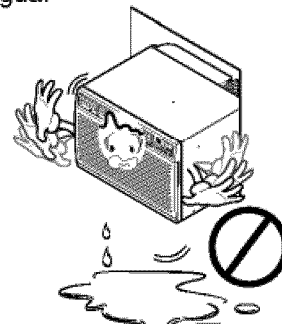
**Instale el producto de modo que el ruido o el aire caliente producido por la unidad externa no moleste a los vecinos.**

- De lo contrario puede dar lugar a disputas vecinales.



**Mantenga nivelado el producto al instalarlo.**

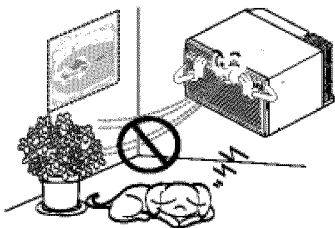
- De lo contrario se podría causar vibraciones o escapes de agua.



## Operación

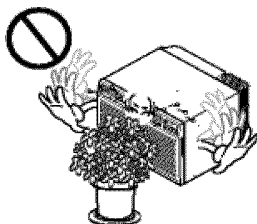
**No ponga plantas ni animales en la trayectoria que recorrerá el aire caliente.**

- Podría ocasionar lesiones.



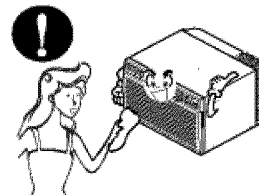
**No bloquee la entrada ni la salida del flujo de aire.**

- Puede causar una avería en el aparato.



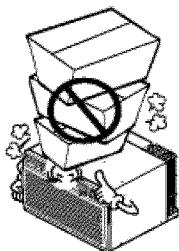
**Utilice un paño suave para limpiar. No utilice cera, disolventes o detergentes fuertes.**

- La apariencia del aparato de aire acondicionado puede deteriorar, cambiar el color o desarrollar flujos en las superficies.



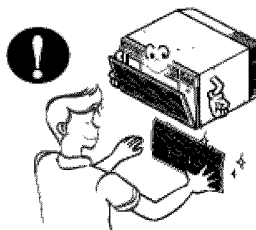
**No se suba a la unidad interior/ exterior ni coloque objetos sobre la misma.**

- Puede lesionarse al caerse del aparato o al caerse los objetos que haya colocado.

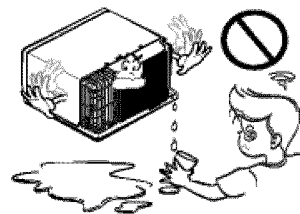


**Inserte siempre el filtro correctamente. Límpielo cada dos semanas.**

- El funcionamiento sin filtros puede provocar fallos.



**No beba el agua que drena el aparato de aire acondicionado.**



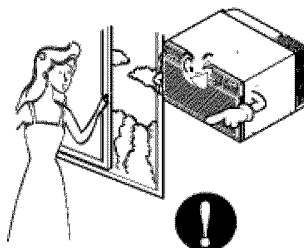
**Tenga cuidado para no tocar los bordes puntagudos al instalar.**

- Podría ocasionar lesiones.



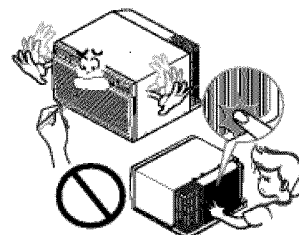
**Evite un enfriamiento excesivo y ventile en ocasiones.**

- De lo contrario, podría dañar su salud.



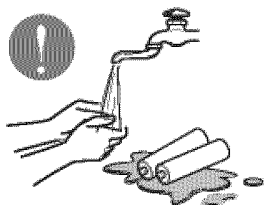
**No introduzca la mano ni barras en la entrada o salida del aire durante el funcionamiento del aparato.**

- De lo contrario, podrían ocurrir lesiones personales.



**Si entra líquido de las pilas en contacto con la piel o la ropa, lávela inmediatamente con agua. No utilice el control remoto si las pilas tienen fugas.**

- Los productos químicos de las pilas podrían causar quemaduras u otros perjuicios a la salud.



**Si el líquido de las pilas alcanzara su boca, cepille sus dientes y consulte a un médico. No utilice el mando a distancia si las pilas han experimentado fugas.**

- Los productos químicos de las pilas podrían causar quemaduras u otros perjuicios a la salud.



## Antes de poner el equipo en funcionamiento

### Preparación para el funcionamiento



1. Póngase en contacto con un especialista para realizar la instalación.
2. Enchufe correctamente la toma de alimentación.
3. Utilice un circuito dedicado.
4. No utilice un cable alargador.
5. No inicie/cese el funcionamiento enchufando/desenchufando el cable eléctrico.
6. Si el cable/enchufe está dañado, sustitúyalo solo por una pieza autorizada.

### Uso



1. Estando expuesto a la circulación directa de aire durante un extenso período de tiempo podría resultar peligroso para su salud. No exponga a las personas, animales domésticos, o a las plantas a la circulación de aire durante largos períodos de tiempo.
2. Debido a la probabilidad de falta de oxígeno, ventile el cuarto cuando esté utilizado el aparato junto con estufas u otros aparatos de calefacción.
3. No utilice este aire acondicionado con propósitos especiales no especificados (Ej.: conservación de dispositivos de precisión, comida, animales domésticos, plantas y objetos de arte). Tal uso podría dañar los artículos.

### Limpieza y mantenimiento



1. No toque las piezas metálicas de la unidad al retirar el filtro. Manejar aristas afiladas de metal puede causar lesiones.
2. No utilice el agua para limpiar el interior del aire acondicionado. La exposición al agua puede destruir el aislamiento, conduciendo a posibles descargas eléctricas.
3. Al limpiar la unidad, asegúrese antes de que la electricidad y el interruptor están apagados. El ventilador rota a muy alta velocidad durante el funcionamiento del equipo. Existe la posibilidad de lesiones si acciona accidentalmente la electricidad de la unidad mientras limpia el interior de la unidad.

### Servicio



Para cuestiones de reparación y mantenimiento, póngase en contacto con su distribuidor de servicio autorizado.

# Introducción

## Símbolos Utilizados en Este Manual



Este símbolo lo advierte de un peligro de accidente por corriente eléctrica.



Este símbolo lo advierte de un peligro que pueda causar un daño del ventilador.

### CONSEJO

Este símbolo significa condiciones especiales.

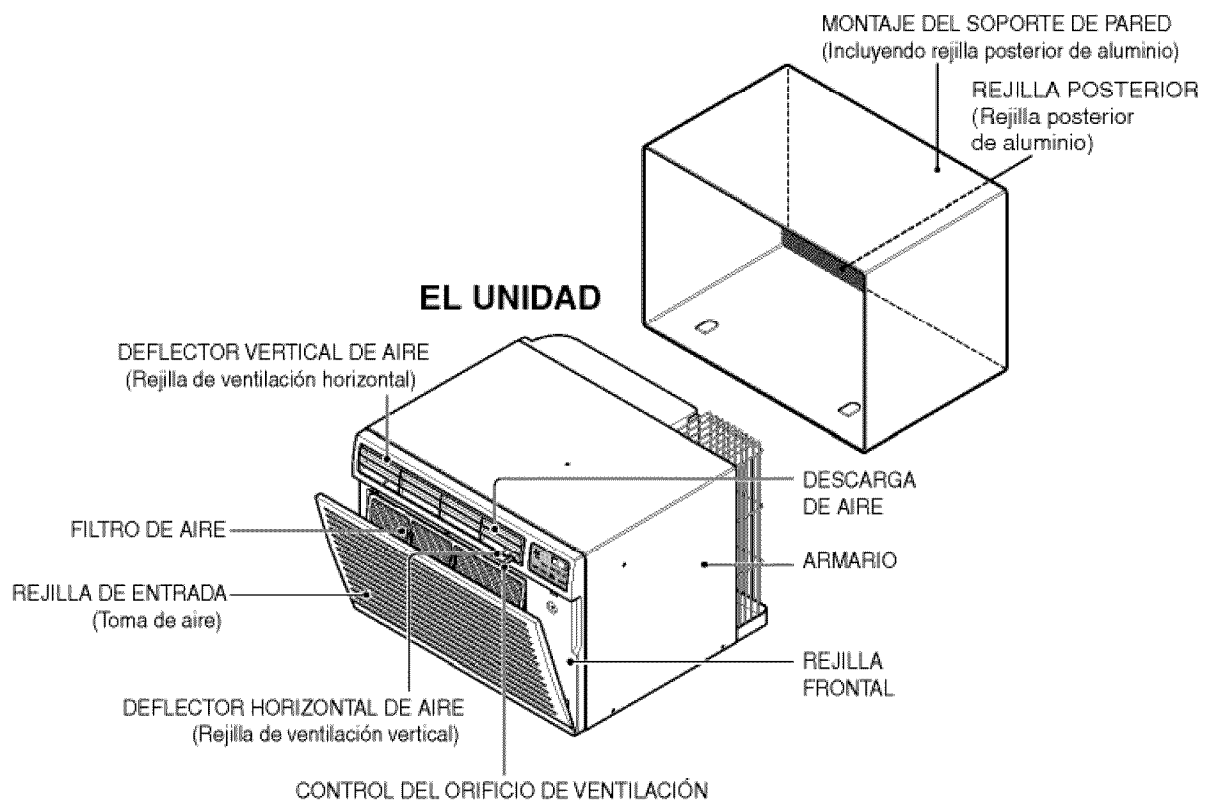
## Características

### ⚠ ADVERTENCIA

Este aparato debería instalarse de acuerdo con las normas del Código Eléctrico Nacional.

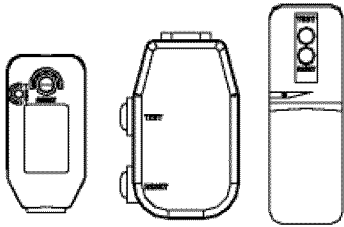
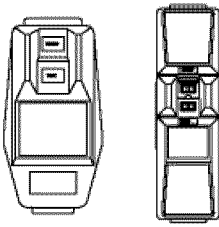
### EL SOPORTE DE PARED Y LA REJILLA POSTERIOR

(incluido opcionalmente con su unidad)






# Seguraída Eléctrica

## Datos Eléctricos

115V~	230V~	El cable de alimentación puede incluir un dispositivo interruptor de corriente. La carcasa del enchufe cuenta con un botón de prueba y otro de reinicio. El dispositivo debe comprobarse periódicamente presionando primero el botón TEST y después RESET. Si el botón TEST no se desconecta o si el botón RESET no permanece activo, suspenda el uso del aire acondicionado y póngase en contacto con un técnico de servicio cualificado.
		

### CONSEJO

La forma puede ser diferente según su modelo.

Utilice el enchufe de la pared	Consumo de Energía
 Standard 125V, enchufe de 3 Líneas de 15A, 125V AC	Utilice un fusible de 15AMP. o un Interruptor de 15AMP.
 Standard 250V, enchufe de 3 Líneas de 15A, 250V AC	
 Standard 250V, enchufe de 3 Líneas de 20A, 250V AC	Utilice un fusible de 20AMP. o un Interruptor de 20AMP.

### CONSEJO

NO USE CABLE DE EXTENSIÓN EN UNIDADES DE 208, 230, AND 208/230 VOLTIOS.

Todo el cableado deberá realizarse de acuerdo con los códigos y reglamentos eléctricos locales.

El cableado doméstico de aluminio podría ocasionar problemas especiales. Consulte a un electricista calificado.

### ⚠ ADVERTENCIA

No presione nunca el botón de prueba durante el funcionamiento, de lo contrario el enchufe podría resultar dañado.

Este dispositivo contiene productos químicos, incluyendo plomo, conocido en el estado de California como producto cancerígeno y causante de defectos de nacimiento y otros daños al sistema reproductor.

Lávese bien las manos tras manipular el dispositivo. No desmonte, modifique ni sumerja en agua este enchufe.

Si el dispositivo se activara, deberá corregir la causa antes de volver a utilizarlo.

### ⚠ PRECAUCIÓN

Los hilos conductores dentro del cable están rodeados por blindajes, que supervisan la corriente de fuga. Estos blindajes no están puestos a tierra.

Examine periódicamente el cable en busca de cualquier daño. No utilice este producto si los blindajes resultaran expuestos.

Evite el riesgo de descargas eléctricas; esta unidad no puede ser reparada por el usuario por ser resistente y a prueba de alteraciones. Manipular la porción sellada de la unidad anulará todas las garantías y quejas de rendimiento. Esta unidad no está diseñada para su uso como un interruptor de encendido-apagado.



**IMPORTANTE  
(FAVORLEA CON ATENCIÓN)**

**POR LA SEGURIDAD PERSONAL DEL USUARIO,  
ESTE APARATO DEBE SER DEBÍDAMENTE  
NEUTRALIZADO.**

El cordón de energía de éste aparato esta equipado con tres patas(cable a tierra). Utilice éste con un enchufe de pared de tres salidas(a tierra) para minimizar el peligro de choque eléctrico. El cliente debe revisar el receptor de pared y el circuito por un electricista calificado para asegurarse que la recepción esta debidamente neutralizada.

**NO CORTE O REMUEVA LA TERCERA  
PATA(GROUND) DEL ENCHUFE.**

**A. SITUACIONES EN LAS CUALES EL  
APARATO ES DESCONECTADO  
OCASIONALMENTE:**

Debido al peligro potencial, nosotros no recomendamos el uso de adaptadores. Sin embargo, si usted desea utilizar un adaptador, una CONEXIÓN TEMPORAL, puede ser efectuada. Utilice adaptadores UL, disponibles en la mayoría de los establecimientos de herramientas. La pata mas grande del adaptador debe ser alineada con la pata mas grande del interruptor para asegurarse una polarización adecuada.

**▲ PRECAUCION**

**Adaptar la terminal del ground del adaptador a la cubierta de la pared con un tornillo no neutraliza el aparato a menos que la cubierta del tornillo sea de metal, u no sea insolada, y el receptor de pared este neutralizado a través del alambrado del la casa. El cliente debe hacer verificar el circuito por un electricista calificado para asegurarse que el receptor esta debidamente neutralizado.**

Desconecte el cordón de energía del adaptador, utilizado una mano en cada uno. De lo contrario, la terminal del adaptador puede romperse. NO UTILICE el aparato con un enchufe roto.

**B. SITUACIONES EN LAS CUALES EL  
APARATO ES DESCONECTADO CON  
FRECUENCIA.**

No utilice un adaptador en estas circunstancias. Desconectar el cordón de energía con frecuencia lo llevará al eventual rompimiento de la terminal de neutralización. La salida de energía de la pared debe ser reemplazada por una salida de tres patas(neutralizada).

**USO DE EXTENSIONES**

Debido al peligro potencial, no recomendamos la utilización de extensiones. Sin embargo, si usted desea utilizar una extensión, utilice una certificada por CSA/UL de tres alambres, catalogada 15A, 125V.



# Instalacion

Retire los materiales de embalaje del soporte de pared de pared y la cinta del aire acondicionado.

## REQUISITOS DE INSTALACIÓN

**Si utiliza un soporte de pared de pared ya existente,** deberá medir sus dimensiones. Instale el nuevo aire acondicionado según estas instrucciones de instalación para lograr el mejor funcionamiento. Todos los soporte de pared de pared utilizados para montar el nuevo aire acondicionado deben estar en buenas condiciones estructurales y contar con una rejilla trasera para conectar el nuevo aire acondicionado de forma segura. (FIG. 1)

**Con el soporte de pared LGE (incluido opcionalmente con su unidad),** podrá mantener el mejor rendimiento del nuevo aire acondicionado. (FIG. 2)

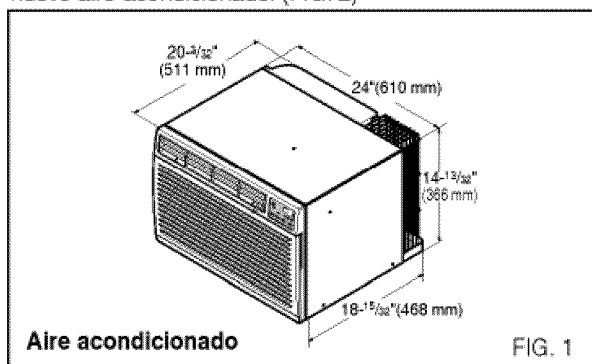


FIG. 1

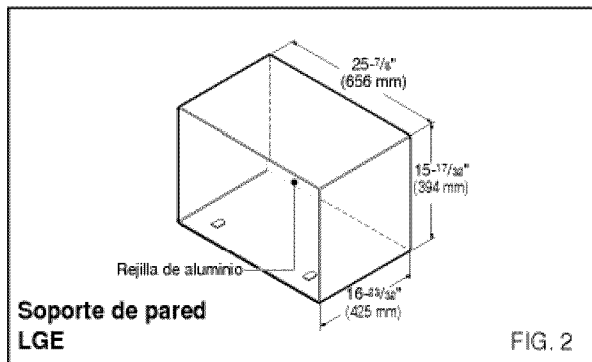


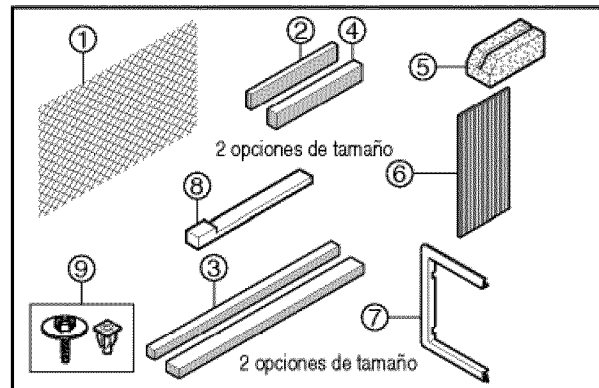
FIG. 2

## SERVICIO ELÉCTRICO

Compruebe su servicio eléctrico disponible. La fuente de alimentación disponible debe ser igual que la que se muestra en la placa de identificación de la unidad (encontrada en el lado izquierdo de la carcasa).

Todos los modelos están equipados con un enchufe de tres dientes para proporcionar el servicio apropiado y poner a tierra el positivo de forma segura. No cambie el enchufe de ninguna manera. No utilice un enchufe adaptador. Si su enchufe de pared actual no admite su enchufe, llame a un electricista cualificado para realizar las correcciones necesarias. **GUARDE LA CAJA DE CARTÓN** para el almacenamiento y este **MANUAL DEL PROPIETARIO** para futuras referencias. El cartón es la mejor manera de almacenar la unidad durante el invierno o cuando no esté en uso.

## HARDWARE DE INSTALACIÓN



ARTÍCULO	NOMBRE DE LAS PIEZAS	Q'TY
①	REJILLA DE PLÁSTICO	1
②	TIRA VERTICAL DE AISLAMIENTO	1
③	TIRAS ENVOLVENTES DE AISLAMIENTO	2
④	TIRA HORIZONTAL DE AISLAMIENTO	1
⑤	BLOQUE DE APOYO	2
⑥	COMPUERTA	1
⑦	MARCO DE AJUSTE	2
⑧	CUÑA	2
⑨	TUERCAS DE PLÁSTICO Y TORNILLOS DE ARANDELA	4

## PRECAUCION

Para evitar riesgos de daños corporales, materiales, o daños al producto debidos al peso de este dispositivo y a los bordes afilados que pueden estar expuestos:

- Los aires acondicionados tratados en este manual representan un peligro por peso excesivo. Son necesarias dos o más personas para desplazar e instalar la unidad. Para evitar lesiones o grandes esfuerzos, utilice las técnicas de elevación y desplazamiento para mover la unidad.
- Examine cuidadosamente la ubicación donde el aire acondicionado vaya a ser instalado. Asegúrese de que aguantará el peso de la unidad a lo largo de un extenso período de tiempo.
- Manipule con cuidado el aire acondicionado. Utilice los guantes protectores siempre que levante o desplace la unidad. **EVITE** las aristas afiladas de metal de las bobinas frontal y posterior.
- Asegúrese de que el aire acondicionado no se caiga durante la instalación.

## HERRAMIENTAS NECESARIAS:

- Guantes ceñidos adecuados
- Destornillador estándar
- Destornillador de estrella
- Alicates
- Cuchillo afilado
- Llave inglesa abierta o ajustable de 3/8-pulgadas
- Enchufe y carrete de tuerca hexagonal de 1/4- pulgadas
- Cinta métrica
- Taladro eléctrico
- Boca de taladro de 1/4-pulgadas

## INSTALACIÓN

### ⚠ PRECAUCION

**Recomendamos encarecidamente que desmonte el viejo soporte de pared y la instalación de un nuevo soporte de pared LGE.**

Si decide mantener el soporte de pared existente, tendrá que redireccionar las rejillas de ventilación en la parte posterior de la ilustración del soporte de pared.

Recomendamos el uso de alicates. Si NO las redirecciona, corre el riesgo de un rendimiento pobre o de averías en el producto.

Estas no están cubiertas bajo los términos de garantía de LGE.

- Escoja una ubicación que permita al aire acondicionado soplar hacia el área que desee. Una buena instalación, prestando especial atención a la posición correcta de la unidad reducirá la necesidad de reparaciones.

### ARTÍCULOS EN EL HARDWARE DE INSTALACIÓN

Usted puede no necesitar todas las piezas del conjunto. Descarte las piezas que no utilice

ARTÍCULO (pulgadas)		Cant.
Rejilla plástica	26 <sup>3</sup> / <sub>4</sub> x 16 <sup>1</sup> / <sub>2</sub>	1
Tira vertical de aislamiento	15 <sup>9</sup> / <sub>16</sub> x 1 <sup>3</sup> / <sub>8</sub> x 1 <sup>3</sup> / <sub>8</sub>	1
Tiras de aislamiento	67 <sup>1</sup> / <sub>8</sub> x 1 <sup>3</sup> / <sub>8</sub> x 2 <sup>5</sup> / <sub>32</sub>	1
envolventes	59 <sup>27</sup> / <sub>32</sub> x 1 <sup>3</sup> / <sub>8</sub> x 1 <sup>3</sup> / <sub>8</sub>	1
Tira horizontal de aislamiento	23 <sup>7</sup> / <sub>32</sub> x 1 <sup>3</sup> / <sub>8</sub> x 1 <sup>3</sup> / <sub>16</sub>	1
Bloque de apoyo	1 <sup>3</sup> / <sub>4</sub> x 1 <sup>3</sup> / <sub>8</sub> x 4 <sup>5</sup> / <sub>16</sub>	2
Compuerta	14 x 4 <sup>1</sup> / <sub>2</sub> x 1 <sup>1</sup> / <sub>8</sub>	1
Cuña	11 <sup>13</sup> / <sub>16</sub> x 1 x 3 <sup>3</sup> / <sub>4</sub>	2
Marco de ajuste		2
Tornillos de arandela		4
Tuercas (Plástico)		4
Rejilla posterior		1

### CÓMO INSTALAR

- 1 Identifique el soporte de pared existente antes de instalar la unidad según la lista.

Marca	Dimensiones del soporte de pared (pulgadas)		
	Ancho	Altura	Profundidad
White-Westinghouse Frigidaire Carrier (Serie 52F)	25-1/2	15-1/4	16, 17-1/2 ó 22
General Electric /Hotpoint	26	15-5/8	16-7/8
Whirlpool	25-7/8	16-1/2	17-1/8 ó 23
Fedders/Emerson	27	16-3/4	16-3/4 ó 19-3/4
LGE	25-7/8	15-17/32	16-23/32
Emerson/Fedders	26-3/4	15-3/4	15
Carrier (Serie 51S)	25-3/4	16-7/8	18-5/8
Friedrich	27	16-3/4	16-3/4

### CONSEJO

Todos los soporte de pared utilizados para montar el nuevo aire acondicionado deben estar en condiciones estructurales sanas y tener una rejilla posterior que se acople con seguridad al soporte de pared, o una pestaña posterior que sirva como freno para el aire acondicionado.

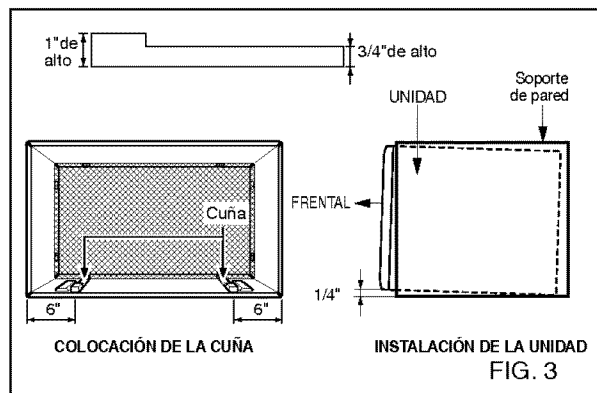
- 2 Desmonte el antiguo aire acondicionado del soporte de pared existente.
- 3 Limpie el interior del soporte de pared existente. (No toque el sellado.)
- 4 El soporte de pared se estar firmemente sujeto a la pared antes de instalar el aire acondicionado. Utilice los clavos o tornillos a través del soporte de pared, si fuera necesario. Vuelva a pintar el soporte de pared si fuera necesario.
- 5 Prepare el soporte de pared para la instalación de la unidad. Si usted piensa utilizar el soporte de pared existente, y no es LGE, utilice el procedimiento B ó C a continuación.

Procedimiento	Marca	Profundidad (pulgadas)
A	LGE	16-23/32
B	White-Westinghouse Frigidaire Carrier Carrier (Serie 52F)	16, 17-1/2 ó 22
	General Electric /Hotpoint	16-7/8
	Whirlpool	17-1/8 ó 23
	Carrier (Serie 51S)	18-5/8
C	Fedders/Emerson	16-3/4 ó 19-3/4
	Emerson/Fedders	15
	Friedrich	16-3/4

- 6 Instale la nueva unidad en el soporte de pared.

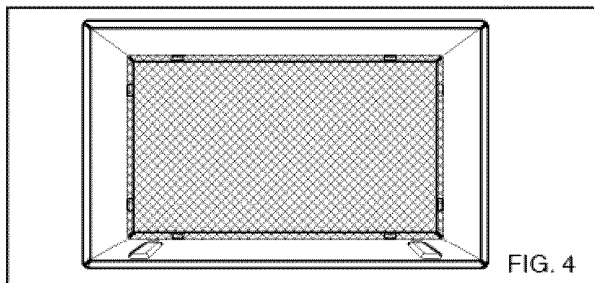
### ⚠ PRECAUCION

Al finalizar la instalación, la unidad de sustitución DEBE tener una pendiente hacia atrás según se ilustra. Para lograr una pendiente de 1/4", retire el envoltorio de las cuñas de 11-13/16" y acóplelas según se muestra a continuación en la FIG. 3. Coloque el extremo más alto de la cuña en la parte frontal de la base del soporte de pared.

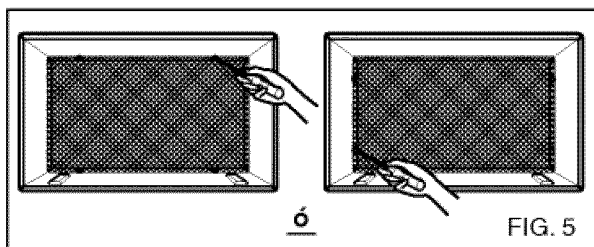


## PROCEDIMIENTO A

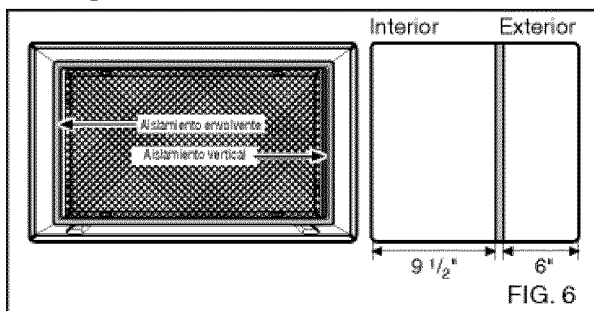
- 1 Si está utilizando un nuevo soporte de pared (incluido opcionalmente con su unidad), salte al paso 3. Si no es así, instale la rejilla plástica. Corte la rejilla plástica a 25-1/2" de ancho y 15-1/4" de alto. Coloque la rejilla plástica en el interior del soporte de pared en la pestaña posterior.



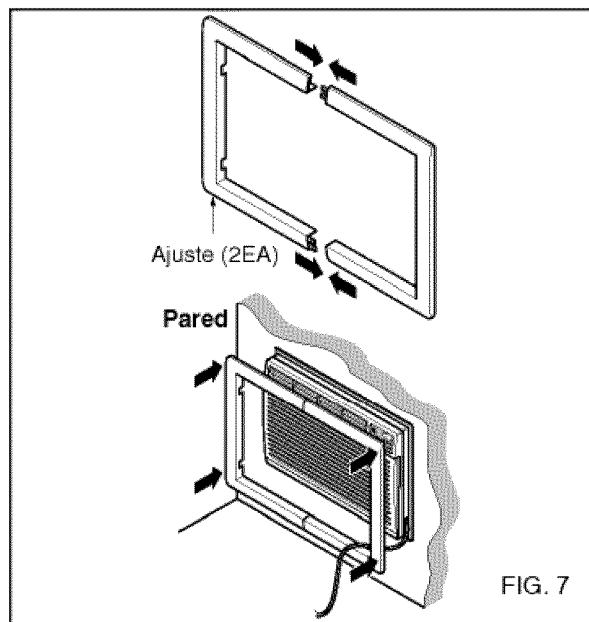
- 2 Apriete los 4 tornillos de la arandela para asegurar la rejilla al soporte de pared. Si necesita tuercas plásticas para montar la rejilla plástica en el interior del soporte de pared, encontrará tuercas plásticas en el equipo de instalación. Las tuercas están instaladas en el interior del soporte de pared y están presionando las perforaciones rectangulares de las pestañas posteriores.



- 3 Retire el envoltorio de la tira vertical de aislamiento 15-9/16 x 1-3/8 x 1-3/8 y únala a la parte interior derecha del soporte de pared según se muestra a continuación. Retire el envoltorio de la tira de aislamiento envolvente de 67-1/8 x 1-3/8 x 25/32 y únala a la parte frontal interior del soporte de pared según se muestra a continuación.



- 4 Instale la nueva unidad en el soporte de pared.
- 5 Para el montaje, encaje la lengüeta de cada pieza en la ranura de la otra pieza según se muestra a continuación. Deslice la pieza sobre la parte frontal del aire acondicionado hasta que el ajuste sea rasante con el soporte de pared según se muestra a continuación.



### ⚠ PRECAUCION

- Los aires acondicionados tratados en este manual representan un peligro por peso excesivo. Son necesarias dos o más personas para desplazar e instalar la unidad. Para evitar lesiones o esfuerzos excesivos, utilice las técnicas de levantamiento y desplazamiento apropiadas al mover la unidad.
- Manipule con cuidado el aire acondicionado, tenga cuidado de evitar cortes de las aristas afiladas de metal de las bobinas frontal y posterior.
- Asegúrese de que el aire acondicionado no se caiga al desmontarlo.
- Si la unidad no funciona tras la revisión de instalación, asegúrese que el interruptor del circuito no se ha disparado. Consulte la guía de solución de averías para conocer el procedimiento de reinicio.

## PROCEDIMIENTO B

- 1** Redireccione las rejillas de ventilación en la parte posterior del soporte de pared a un ángulo de 60° según muestra la FIG. 8. Recomendamos el uso de alicates.

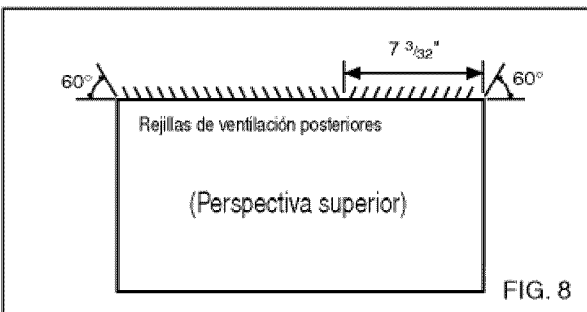


FIG. 8

- 2** Si el soporte de pared ya cuenta con una rejilla posterior, salte al paso 4. Si el soporte de pared no tiene una rejilla posterior o un panel en rejilla, instale la rejilla plástica del conjunto. Corte la rejilla plástica a 25-1/2" de ancho y 15-1/4" de alto. Coloque la rejilla plástica en la parte interior del soporte de pared en la pestaña posterior.

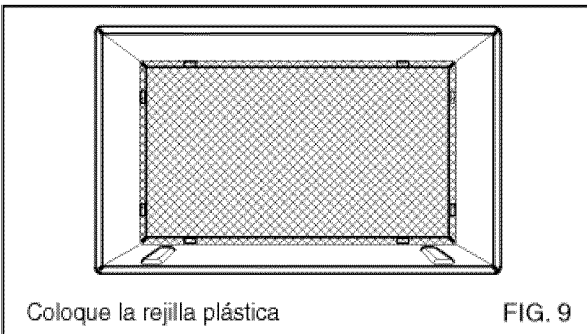


FIG. 9

- 3** Apriete los 4 tornillos de la arandela para asegurar la rejilla al soporte de pared. Si necesita tuercas plásticas para montar la rejilla plástica en el interior del soporte de pared, encontrará tuercas plásticas en el equipo de instalación. Las tuercas están instaladas en el interior del soporte de pared y están presionando las perforaciones cuadradas de las pestañas posteriores.

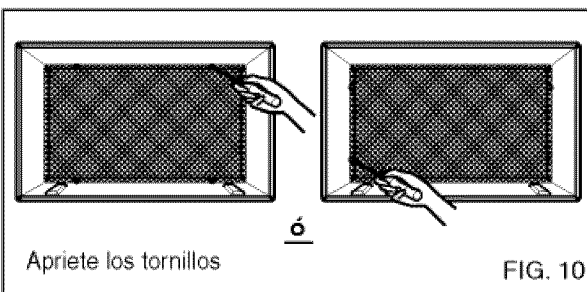


FIG. 10

- 4** Retire el envoltorio de la tira vertical de aislamiento 15-9/16 x 1-3/8 x 1-3/8 y únala a la parte interior derecha del soporte de pared según se muestra a continuación. Retire el envoltorio de la tira de aislamiento envolvente de 67-1/8 x 1-3/8 x 25/32 y únala a la parte frontal interior del soporte de pared según se muestra a continuación.

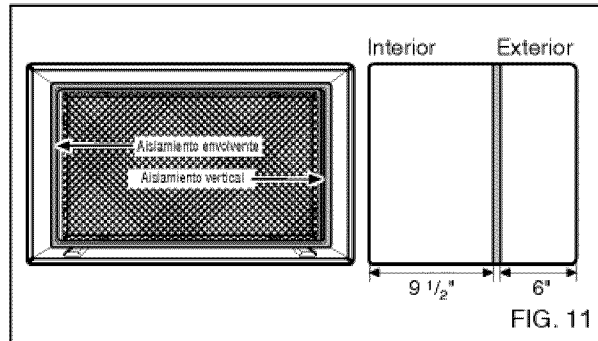


FIG. 11

- 5** Si la profundidad de su soporte de pared es menor o igual a 18", salte al paso 6. Si no, corte las compuertas y los bloques de soporte según la longitud "A" en la tabla a continuación.

Profundidad "D" del soporte de pared existente (pulgadas)	Longitud "A" (pulgadas)
$18 < D \leq 18\text{-}5/8$	$3/4$
$18\text{-}5/8 < D \leq 19\text{-}3/4$	$1\text{-}3/4$
$19\text{-}3/4 < D \leq 22$	4

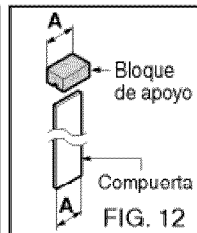
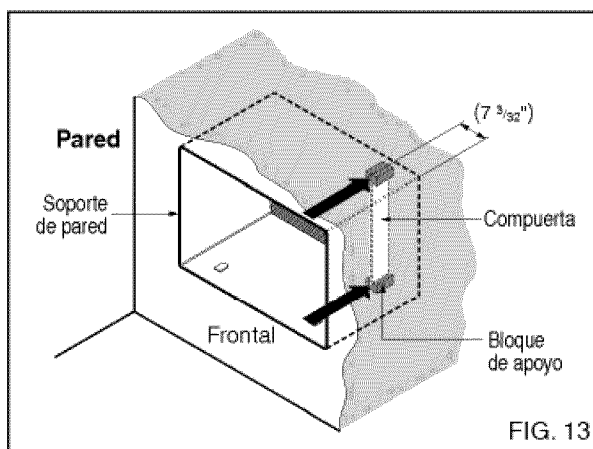


FIG. 12

## PROCEDIMIENTO B

- 6** Retire el envoltorio de los bloques de apoyo y acóplelos al interior del soporte de pared como muestra la FIG. 13. Deslice la compuerta en las ranuras de los bloques de apoyo.



- 7** Instale la nueva unidad en el soporte de pared.
- 8** Ajuste la posición según describe el paso 5, procedimiento A.

### ▲ PRECAUCION

- Los aires acondicionados tratados en este manual representan un peligro por peso excesivo. Son necesarias dos o más personas para desplazar e instalar la unidad. Para evitar lesiones o esfuerzos excesivos, utilice las técnicas de levantamiento y desplazamiento apropiadas al mover la unidad.
- Manipule con cuidado el aire acondicionado, tenga cuidado de evitar cortes de las aristas afiladas de metal de las bobinas frontal y posterior.
- Asegúrese de que el aire acondicionado no se caiga al desmontarlo.
- Si la unidad no funciona tras la revisión de instalación, asegúrese que el interruptor del circuito no se ha disparado. Consulte la guía de solución de averías para conocer el procedimiento de reinicio.

## PROCEDIMIENTO C

- 1 Redireccione las rejillas de ventilación en la parte posterior del soporte de pared a un ángulo de 60° según muestra la FIG. 14. Recomendamos el uso de alicates.

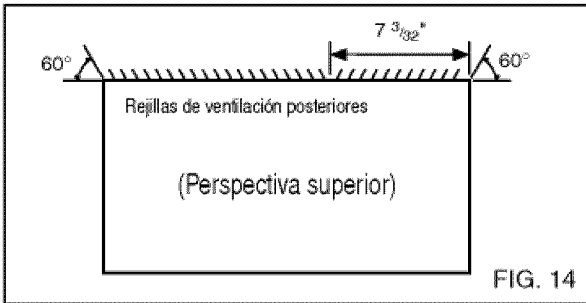


FIG. 14

- 2 Si el soporte de pared ya cuenta con una rejilla posterior, salte al paso 4. Si el soporte de pared no tiene una rejilla posterior o un panel en rejilla, instale la rejilla plástica del conjunto. Corte la rejilla plástica a 26-1/2" de ancho y 15-1/2" de alto. Coloque la rejilla plástica en la parte interior del soporte de pared en la pestaña posterior.

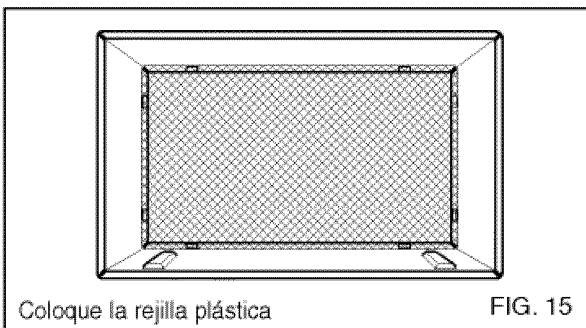


FIG. 15

- 3 Apriete los 4 tornillos de la arandela para asegurar la rejilla al soporte de pared. Si necesita tuercas plásticas para montar la rejilla plástica en el interior del soporte de pared, encontrará tuercas plásticas en el equipo de instalación. Las tuercas están instaladas en el interior del soporte de pared y están presionando las perforaciones cuadradas de las pestañas posteriores.

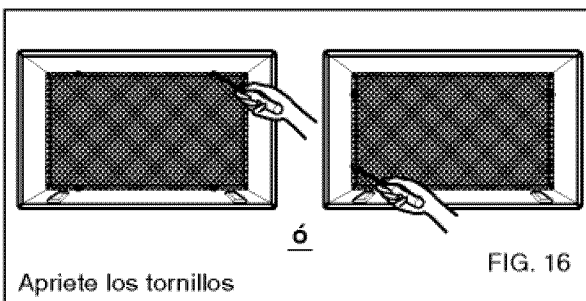


FIG. 16

Apriete los tornillos

- 4 Retire el envoltorio de la tira horizontal de aislamiento de 23-7/32 x 1-3/8 x 1-3/16 y únala a la parte interior derecha del soporte de pared según se muestra a continuación. Retire el envoltorio de la tira de aislamiento envolvente de 59-27/32 x 1-3/8 x 1-3/8 y únala a la parte frontal interior del soporte de pared según se muestra a continuación.

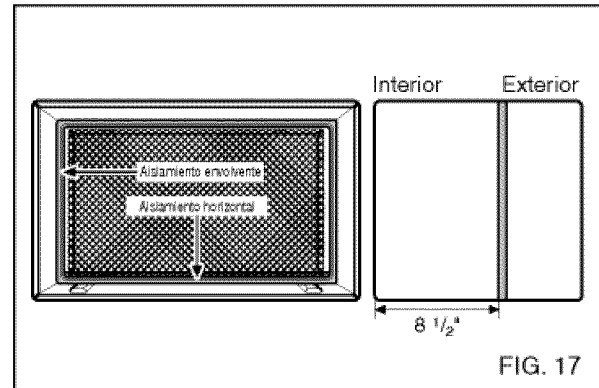


FIG. 17

- 5 Si la profundidad de su soporte de pared es menor o igual a 18", salte al paso 7. Si no, corte las compuertas y los bloques de apoyo según la longitud "A" en la tabla a continuación.

Profundidad "D" del soporte de pared existente (pulgadas)	Longitud "A" (pulgadas)
$18 < D \leq 18\text{-}\frac{5}{8}$	$\frac{3}{4}$
$18\text{-}\frac{5}{8} < D \leq 19\text{-}\frac{3}{4}$	$1\text{-}\frac{3}{4}$
$19\text{-}\frac{3}{4} < D \leq 22$	4

FIG. 18

- 6 Retire el envoltorio de los bloques de apoyo y únalos al interior del soporte de pared como muestra la FIG. 19. Deslice la compuerta dentro de las ranuras en los bloques de apoyo.

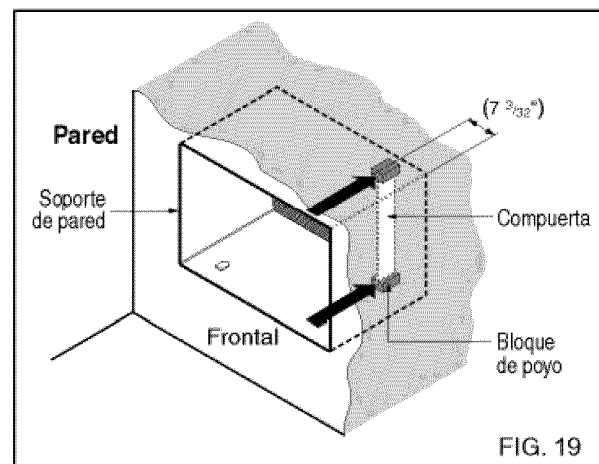
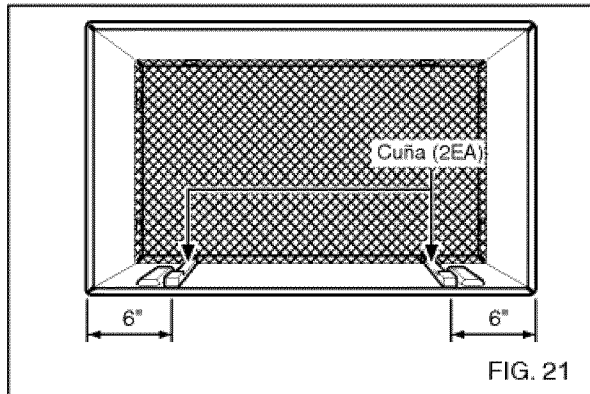
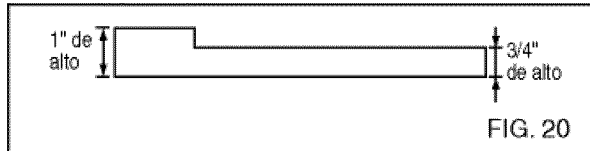


FIG. 19

## PROCEDIMIENTO C

- 7** Para lograr una pendiente de posterior para el drenaje de la unidad, retire el envoltorio de las cuñas de 11-13/16" y acóplelas según se muestra a continuación en la FIG. 21. Coloque el extremo más alto de la cuña en la parte frontal de la base del soporte de pared.



- 8** Instale la nueva unidad en el soporte de pared.
- 9** Monte el ajuste según lo descrito en el paso 6, procedimiento A.

## ⚠ PRECAUCION

- Los aires acondicionados tratados en este manual representan un peligro por peso excesivo. Son necesarias dos o más personas para desplazar e instalar la unidad.  
Para evitar lesiones o esfuerzos excesivos, utilice las técnicas de levantamiento y desplazamiento apropiadas al mover la unidad.
- Manipule con cuidado el aire acondicionado, tenga cuidado de evitar cortes de las aristas afiladas de metal de las bobinas frontal y posterior.
- Asegúrese de que el aire acondicionado no se caiga al desmontarlo.
- Si la unidad no funciona tras la revisión de instalación, asegúrese que el interruptor del circuito no se ha disparado. Consulte la guía de solución de averías para conocer el procedimiento de reinicio.

# Instrucciones de Funcionamiento

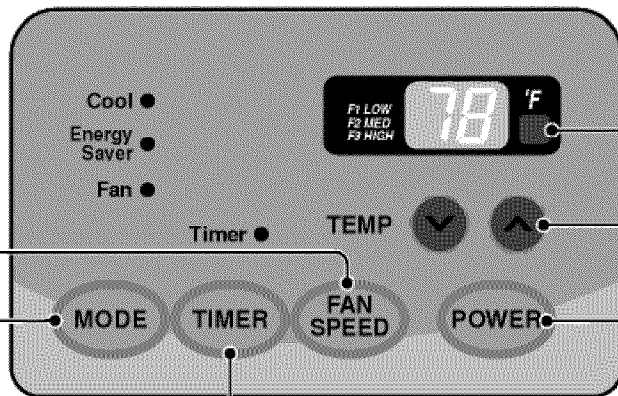
## Controles



La apariencia de los controles será como uno de los siguientes.

### VELOCIDAD DEL VENTILADOR

- Cada vez que presione este botón, el ajuste cambiará como sigue a continuación: {Alto → Bajo → Medio → Alto}



### RECEPTOR DE SEÑAL DEL MANDO A DISTANCIA

### AJUSTE DE TEMPERATURA

- Utilice este botón para controlar automáticamente la temperatura del cuarto. La temperatura puede establecerse dentro de una gama de 60° F a 86° F mediante incrementos de 1° F.
- El ajuste se muestra en pantalla.

### ENERGÍA

- Para ENCENDER el aire acondicionado, presione este botón. Para APAGAR el aire acondicionado, presione de nuevo el botón.
- Este botón tiene prioridad sobre cualquier otro botón.
- Cuando la encienda por primera vez, la unidad estará en modo frío, alta velocidad del ventilador, control de temperatura en 72° F.

### TEMPORIZADOR

#### - HORA DE APAGADO

- Normalmente utilizará el tiempo de apagado mientras usted duerme.
- Si la unidad está funcionando, utilice el temporizador para fijar el número de horas hasta que se apague.
- Para su tranquilidad al dormir, una vez que el temporizador esté configurado, el control de temperatura se elevará hasta los 2° F tras 30 minutos y de nuevo tras otros 30 minutos.
- Presione el botón del temporizador para avanzar el ajuste de 1 hora → 2 horas → ... → 12 horas máximo.

#### - HORA DE INICIO

- Si la unidad está apagada, utilice el temporizador para establecer el número de horas antes de iniciar la unidad.
- Presione el botón del temporizador para adelantar el ajuste de 1 hora → 2 horas → ... → 12 horas máximo.

### MODO

- Presione este botón para cambiar el modo de funcionamiento de COOL → ENERGY SAVER → FAN.

#### - COOL (frío):

- El ventilador funciona continuamente en enfriamiento normal.

#### - ENERGY SABER (ahorro de energía):

- El ventilador para su funcionamiento cuando el compresor cesa de enfriar. El ventilador se encenderá y la unidad comprobará la temperatura del aire de la habitación aproximadamente cada 3 minutos para determinar si es necesario seguir enfriando.

#### - FAN (ventilador):

- Sólo está en funcionamiento el ventilador.

### REINICIO AUTOMÁTICO

Cuando se restablezca la alimentación después de un corte en el suministro, la unidad empezará a funcionar con su último ajuste.



## Control remoto



El mando a distancia y el panel de control se parecerán a los de las siguientes imágenes.

### ENERGÍA

- Presione este botón para ENCENDER el aire acondicionado.  
Para APAGAR el aire acondicionado vuelva a presionar el botón.
- Este botón tiene prioridad sobre cualquier otro botón.
- Al encenderla por primera vez, la unidad se encuentra en modo frío, alta velocidad del ventilador, ajuste de temperatura a 72° F.
- Reinicio automático  
En el caso de una caída de tensión, la unidad funcionará bajo la configuración anterior una vez que la tensión vuelva a ser la normal.

### AJUSTE DE TEMPERATURA

- Utilice este botón para controlar automáticamente la temperatura del cuarto.  
La temperatura puede establecerse dentro de una gama de 60° F a 86° F por incrementos de 1° F.
- El ajuste aparece en pantalla.

### VELOCIDAD DEL VENTILADOR

- Cada vez que presione este botón, el ajuste cambiará como sigue a continuación: {Alto → Bajo → Medio → Alto}

### TEMPORIZADOR

#### - HORA DE APAGADO

- Normalmente utilizará el tiempo de apagado mientras usted duerme.
- Si la unidad está funcionando, utilice el temporizador para fijar el número de horas hasta que se apague.
- Para su tranquilidad al dormir, una vez que el temporizador esté configurado, el control de temperatura se elevará hasta los 2° F tras 30 minutos y de nuevo tras otros 30 minutos.
- Presione el botón del temporizador para avanzar el ajuste de 1 hora → 2 horas → ... → 12 horas máximo.

#### - HORA DE INICIO

- Si la unidad está apagada, utilice el temporizador para establecer el número de horas antes de iniciar la unidad.
- Presione el botón del temporizador para adelantar el ajuste de 1 hora → 2 horas → ... → 12 horas máximo.

### MODO

- Presione este botón para cambiar el modo de funcionamiento de COOL → ENERGY SAVER → FAN.

#### - COOL (frío):

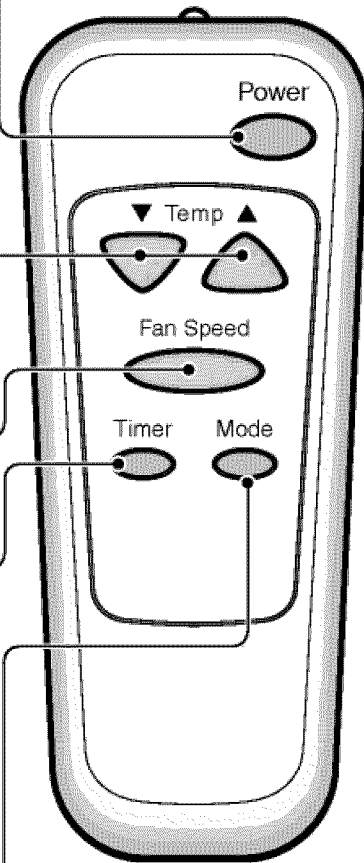
- El ventilador funciona continuamente en enfriamiento normal.

#### - ENERGY SAVER (ahorro de energía):

- El ventilador para su funcionamiento cuando el compresor cesa de enfriar. El ventilador se encenderá y la unidad comprobará la temperatura del aire de la habitación aproximadamente cada 3 minutos para determinar si es necesario seguir enfriando.

#### - FAN (ventilador):

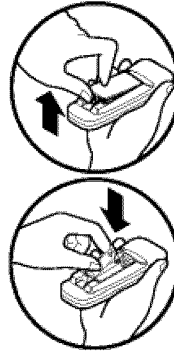
- Sólo está en funcionamiento el ventilador.



ESPAÑOL

## Cómo Poner Las Baterías

1. Quite la tapa de la parte posterior del telemando. Para ello haga deslizar la tapa según la dirección de la flecha.
2. Introduzca las dos baterías, asegurándose de que las direcciones (+) y (-) estén colocadas correctamente. Use baterías nuevas.
3. Volver a cerrar, resbalando la tapa hasta la posición inicial.



- No utilice baterías recargables, éstas son diferentes de forma, de dimensión y uso respecto a las baterías secas usuales.
- Seque las baterías del telemando cuando el acondicionador no vaya a ser usado durante un largo período.

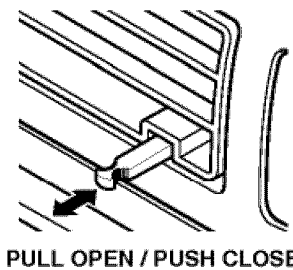
## Ventilación

La palanca de ventilación está colocada en el extremo derecho de la descarga de aire.

Esta palanca debe estar en la posición CLOSE (Cerrada) a fin de mantener las mejores condiciones de enfriamiento.

Cuando se necesita aire fresco en la habitación, coloque la palanca de ventilación en la posición OPEN (abierta).

El regulador de tiro está abierto y el aire de la habitación es expulsado hacia el exterior.



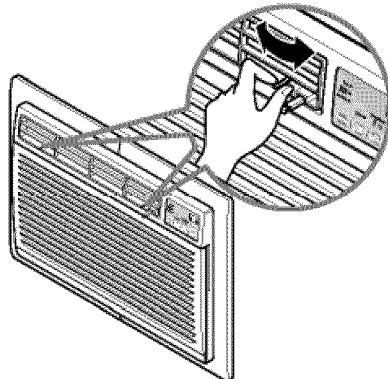
## Dirección del aire

El aire puede dirigirse hacia donde usted desee ajustando las rejillas horizontales y verticales.

### • CONTROL HORIZONTAL DE LA DIRECCIÓN DEL AIRE

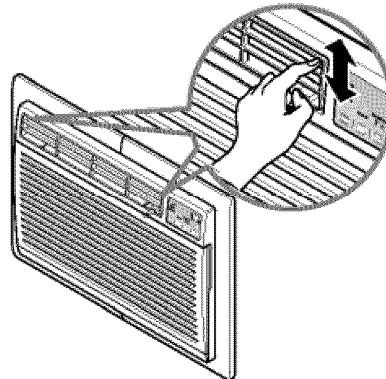
La dirección horizontal del aire se ajusta moviendo la rejilla vertical.

La palanca de la rejilla vertical está situada a los costados derecho e izquierdo de la descarga de aire.



### • CONTROL VERTICAL DE LA DIRECCIÓN DEL AIRE

La dirección vertical del aire se ajusta moviendo la rejilla horizontal.



# Cuidado y Mantenimiento

APAGUE EL ACONDICIONADOR DE AIRE Y DESENCHÚFELO DE LA FUENTE DE PODER.

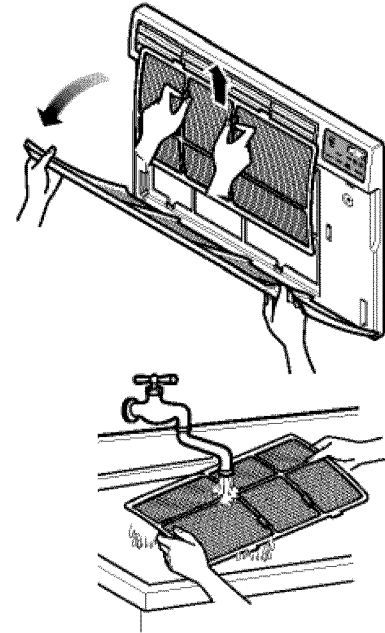
## Limpieza del filtro de aire

El filtro de aire debe ser controlado al menos dos veces al mes para ver si es necesaria su limpieza.

Las partículas atrapadas en el filtro pueden acumularse y bloquear el flujo del aire. Esto reduce la capacidad de refrigeración y también causa una acumulación de hielo en los serpentines de enfriamiento.

Si el filtro se inutiliza o se daña, debe ser reemplazado inmediatamente. Filtros de repuesto están disponibles en la tienda donde lo compró, el representante y en los centros de servicios autorizados.

1. Abra la rejilla de entrada hacia abajo tirando de la parte superior de la rejilla de entrada.
2. Quite el filtro de aire de la rejilla frontal tirando ligeramente del filtro de aire.
3. Lave el filtro usando agua tibia por debajo de 40°C (104°F).
4. Sacuda suavemente el exceso de agua del filtro. Reemplace el filtro.



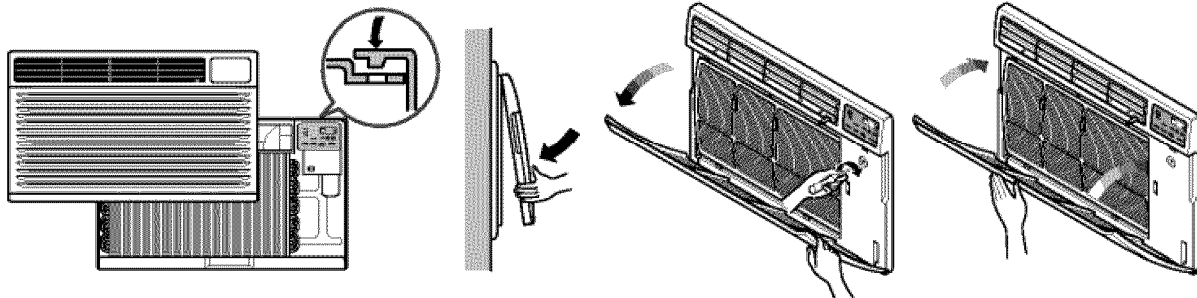
ESPAÑOL

## Como agregar la rejilla frontal al gabinete

La rejilla frontal puede quitarse para su limpieza o para comprobar el modelo y el número de serie.

Para su seguridad, debe seguir el siguiente procedimiento para colocarla.

1. Quite la parte superior de la rejilla frontal de la parte superior del gabinete.
2. Empuje los extremos frontales de la rejilla hacia el gabinete a fin de insertar las pestañas de la rejilla frontal en el gabinete.
3. Abra la rejilla de entrada.
4. Ajuste los tornillos a través de la rejilla frontal en la placa de la caja de control.
5. Cierre la rejilla de entrada.



## Problemas y soluciones habituales

Las sugerencias para solucionar problemas ahorran tiempo y dinero !

Revise la cartilla de más abajo antes de llamar al service, tal vez no tenga que hacerlo.

### Operación normal

- Se puede oír un ruido agudo causado por el agua cuando está siendo recogida y arrojada contra el condensador en días lluviosos o cuando la humedad es alta. Esta característica de diseño ayuda a quitar la humedad y mejorar la eficiencia.
- Se pueden oír clicks en el termostato cuando el compresor gira hacia dentro y hacia afuera.
- El agua se depositará en la bandeja de base durante los días lluviosos o de humedad alta. El agua puede rebalsar y gotear desde el lado exterior de la unidad.
- El ventilador puede funcionar aún cuando el compresor no lo hace.

### Operación anormal

Problema	Causas posibles	Que hacer
<b>El acondicionador de aire no arranca.</b>	■ El acondicionador de aire está desenchufado.	• Asegúrese de que el enchufe del acondicionador de aire sea totalmente ajustado dentro de la salida.
	■ El fusible está quemado/el interruptor de circuito está abierto.	• Compruebe el fusible de la casa /la caja del interruptor de circuito y reemplace el fusible o vuelva a colocar el interruptor.
	■ Interrupción de la provisión de energía eléctrica.	• Si se produce una interrupción de la provisión de energía eléctrica, gire el control a OFF (apagado). Cuando la energía se restituye, espere 3 minutos para reiniciar el acondicionador de aire para prevenir que el compresor se dispare.
	■ El dispositivo interruptor de corriente está desconectado.	• Presione el botón RESET situado en el enchufe del cable de alimentación. Si el botón RESET no permanece activo, suspenda el uso del aire acondicionado y póngase en contacto con un técnico de servicio cualificado.
<b>El acondicionador de aire no enfría como debería.</b>	■ El flujo de aire está restringido	• Asegúrese de que no haya cortinas, persianas, o muebles que bloqueen la parte frontal del acondicionador de aire.
	■ Coloque el control de TEMPERATURA en un número más alto.	• Gire el control de TEMPERATURA a un número más bajo.
	■ El filtro de aire está sucio.	• Limpie el filtro por lo menos cada 2 semanas. Vea la sección de instrucciones para el funcionamiento.
	■ La habitación puede haber estado caliente.	• Cuando el acondicionador de aire se ha encendido por primera vez, se necesita tiempo para que la habitación se enfríe.
	■ El aire frío se escapa.	• Compruebe si las rejillas del respiradero del piso están abiertas y que el aire frío regrese. • Coloque el respiradero del acondicionador de aire en posición cerrada.
<b>Congelamiento del acondicionador de aire</b>	■ Los serpentines de enfriamiento se han congelado.	• Vea más abajo "Congelamiento del acondicionador de aire".
	■ El hielo bloquea el flujo de aire y no permite que el acondicionador de aire enfríe la habitación.	• Ajustar el control de modo en 'Ventilación Alta' o 'Enfriamiento Alto' con la temperatura alta.





## GARANTÍA LIMITADA DEL AIRE ACONDICIONADOR LG - EE.UU.

LG Electronics Inc. reparará o sustituirá, gratuitamente, su producto si resulta defectuoso en materiales o mano de obra bajo condiciones normales de uso durante el período de garantía mencionado más abajo, efectivo a partir de la fecha de compra del producto original por parte del consumidor. Esta garantía limitada sólo es válida para el comprador original del producto, y efectiva sólo cuando este se utilice dentro de los Estados Unidos, incluyendo Alaska, Hawai, y los territorios estadounidenses.

<b>PERÍODO DE GARANTÍA:</b>  <b>Mano de obra: 5 años</b> desde la fecha de compra. <b>Piezas: 5 años</b> desde la fecha de compra.  <b>Compresor: 5 años</b> desde la fecha de compra.	<b>PROCESO DE SERVICIO:</b>  Llame al teléfono 1-800-243-0000 y seleccione la opción adecuada. Por favor, tenga disponible el tipo de producto (Aire acondicionado), número de modelo, número de serie, y código postal.  La mano de obra bajo garantía cubre el coste de la Asistencia en domicilio de todas las piezas, incluyendo el compresor.
---	--

ESTA GARANTÍA SE OTORGA EN SUSTITUCIÓN O EXCLUSIÓN DE TODA OTRA GARANTÍA, EXPRESA O IMPLÍCITA, INCLUYENDO SIN LIMITAR CUALQUIER GARANTÍA DE CALIDAD O IDONEIDAD CON UN PROPÓSITO CONCRETO. EN LA MEDIDA EN QUE CUALQUIER GARANTÍA IMPLÍCITA ES OBLIGADA POR LA LEY, ESTÁ LIMITADA EN DURACIÓN AL PERÍODO DE GARANTÍA YA MENCIONADO. LG NO SERÁ RESPONSABLE DE NINGÚN DAÑO RESULTANTE, INDIRECTO, O ACCIDENTAL DE NINGÚN TIPO, INCLUYENDO INGRESOS O GANANCIAS PERDIDAS, EN CONEXIÓN CON EL PRODUCTO. CIERTOS ESTADOS NO ACEPTAN LA LIMITACIÓN DE DURACIÓN DE UNA GARANTÍA IMPLÍCITA O LA EXCLUSIÓN DE DAÑOS RESULTANTES O ACCIDENTALES, POR LO QUE LAS LIMITACIONES O EXCLUSIONES MENCIONADAS PUEDEN NO SER APLICABLES EN SU CASO.

### ESTA GARANTÍA LIMITADA NO SE APLICA A:

1. Las visitas de Asistencia a domicilio para entregar, recoger y/o instalar el producto, instruir o sustituir fusibles en su casa o corregir el cableado, o la corrección de reparaciones no autorizadas; y
2. Daños o problemas de funcionamiento provocados por un uso inadecuado, abuso, funcionamiento fuera de especificaciones ambientales o contrario a requisitos o precauciones en la Guía de funcionamiento, accidente, fuego, inundaciones, instalación inadecuada, fuerza mayor, modificaciones o alteraciones no autorizadas, corriente eléctrica o tensión incorrecta, o uso comercial, o usos distintos a aquellos para los que fue diseñado.
3. Por lo tanto, los costes de reparación o sustitución de un producto defectuoso deberá correr por cuenta del consumidor.

### NÚMEROS DEL CENTRO INTERACTIVOS PARA CLIENTES:

<b>Probar su cobertura por garantía</b>	<b>Conserve su ticket y recibo de compra para probar la fecha de adquisición del producto.</b> Deberá entregar una copia de su recibo de compra en el momento en que reciba servicio bajo garantía.
<b>Obtener asistencia del centro de asistencia autorizado más cercano, obtener asistencia de producto, cliente, o servicio</b>	<b>Llame al 1-800-243-0000, 24 horas al día, 7 días a la semana.</b> Seleccione la opción adecuada del menú, y tenga disponible su tipo de producto (aire acondicionado), número de modelo, número de serie, y código postal; o visite nuestro sitio Web en <a href="http://www.lgappliances.com">http://www.lgappliances.com</a>

## LG ROOM AIR CONDITIONER LIMITED WARRANTY – USA

LG Electronics Inc. will repair or at its option replace, without charge, your product if it proves to be defective in material or workmanship under normal use during the warranty period set forth below, effective from the date of original consumer purchase of the product. This limited warranty is good only to the original purchaser of the product and effective only when used in the United States including Alaska, Hawaii, and U.S. Territories.

<p><b><u>WARRANTY PERIOD:</u></b></p> <p><b>Labor: 5 Year</b> from the Date of Purchase.</p> <p><b>Parts: 5 Year</b> from the Date of Purchase.</p> <p><b>Compressor: 5 Years</b> from the Date of Purchase.</p>	<p><b><u>HOW SERVICE IS HANDLED:</u></b></p> <p>Call 1-800-243-0000 and choose the appropriate prompt. Please have product type (Room Air Conditioner), model number, serial number, and ZIP code ready.</p> <p>The warranted labor covers the cost of In-Home Service on all parts including the compressor.</p>
--	---

**THIS WARRANTY IS IN LIEU OF ANY OTHER WARRANTIES, EXPRESS OR IMPLIED, INCLUDING WITHOUT LIMITATION, ANY WARRANTY OF MERCHANTABILITY OR FITNESS FOR A PARTICULAR PURPOSE. TO THE EXTENT ANY IMPLIED WARRANTY IS REQUIRED BY LAW, IT IS LIMITED IN DURATION TO THE EXPRESS WARRANTY PERIOD ABOVE. LG WILL NOT BE LIABLE FOR ANY CONSEQUENTIAL, INDIRECT, OR INCIDENTAL DAMAGES OF ANY KIND, INCLUDING LOST REVENUES OR PROFITS, IN CONNECTION WITH THE PRODUCT. SOME STATES DO NOT ALLOW LIMITATION ON HOW LONG AN IMPLIED WARRANTY LASTS OR THE EXCLUSION OF INCIDENTAL OR CONSEQUENTIAL DAMAGES, SO THE ABOVE LIMITATIONS OR EXCLUSIONS MAY NOT APPLY TO YOU.**

**THIS LIMITED WARRANTY DOES NOT APPLY TO:**

1. Service trips to your home to deliver, pick up, and/or install the product, instruct, or replace house fuses or correct wiring, or correction of unauthorized repairs; and
2. Damages or operating problems that result from misuse, abuse, operation outside environmental specifications or contrary to the requirements or precautions in the Operating Guide, accident, vermin, fire, flood, improper installation, acts of God, unauthorized modification or alteration, incorrect electrical current or voltage, or commercial use, or use for other than intended purpose.
3. **Therefore, the cost of repair or replacement of such a defective product shall be borne by the consumer.**

**CUSTOMER INTER-ACTIVE CENTER NUMBERS:**

<p><b>To Prove Warranty Coverage</b></p>	<p><b>Retain your Sales Receipt to prove date of purchase.</b> A copy of your Sales Receipt must be submitted at the time warranty service is provided.</p>
<p><b>To Obtain Nearest Authorized Service Center or Sales Dealer, or to Obtain Product, Customer, or Service Assistance</b></p>	<p><b>Call 1-800-243-0000, 24 hrs a day, 7 days per week.</b> Choose the appropriate prompt from the menu, and have your product type (Room Air Conditioner), model number, serial number, and ZIP Code; or visit our website at <a href="http://www.lgappliances.com">http://www.lgappliances.com</a></p>