

USE & CARE GUIDE

KitchenAid^{*}

Electric and Gas Dryers

A Note to You	2
Understanding Dryer Safety	3-4
Parts and Features	5
Checking Your Vent	6
Operating Your Dryer	8
Starting your dryer	8
Selecting the right cycle and temperature setting ..	9
Loading	10
Automatic cycle	10
Timed Dry cycle	11
Air Tumble cycle	12
Using the drying rack	13
Caring for Your Dryer	14
Troubleshooting	17
Requesting Assistance or Service	19
Warranty	20

1•800•461•5681

Call with questions
or comments

www.kitchenaid.com/canada

3405634



A NOTE TO YOU

Thank you for buying a KITCHENAID* appliance!

KitchenAid designs the best tools for the most important room in your house. To ensure that you enjoy many years of trouble-free operation, we developed this Use and Care Guide. It contains valuable information concerning how to operate and maintain your new appliance properly and safely. Please read it carefully.

Also, please complete and mail the enclosed Product Registration Card.

For assistance and service

Call the Consumer Assistance Centre toll free1-800-461-5681
8:30 a.m. – 6 p.m. (EST)

If you need assistance or service, first see the "Troubleshooting" section of this book. After checking "Troubleshooting," additional help can be found by checking the "Requesting Assistance or Service" section, or by calling one of the telephone numbers above. When calling, you will need to know your appliance's complete model number and serial number. You can find this information on the model and serial number label/plate (see diagram in the "Parts and Features" section.)

Keep this book and the sales slip together in a safe place for future reference. You must provide proof of purchase or installation date for in-warranty service.

Model Number _____

Builder/Dealer Name _____

Serial Number _____

Address _____

Date Installed _____

Phone _____

UNDERSTANDING DRYER SAFETY

Your safety and the safety of others is very important.

We have provided many important safety messages in this manual and on your appliance. Always read and obey all safety messages.



This is the safety alert symbol.

This symbol alerts you to hazards that can kill or hurt you and others.

All safety messages will be preceded by the safety alert symbol and the word "DANGER" or "WARNING." These words mean:

⚠ DANGER

You **will** be killed or seriously injured if you don't follow instructions.

⚠ WARNING

You **can** be killed or seriously injured if you don't follow instructions.

All safety messages will identify the hazard, tell you how to reduce the chance of injury, and tell you what can happen if the instructions are not followed.

WARNING: For your safety the information in this manual must be followed to minimize the risk of fire or explosion or to prevent property damage, personal injury or death.

- Do not store or use gasoline or other flammable vapours and liquids in the vicinity of this or any other appliance.
- WHAT TO DO IF YOU SMELL GAS
 - Do not try to light any appliance.
 - Do not touch any electrical switch; do not use any phone in your building.
 - Clear the room, building or area of all occupants.
 - Immediately call your gas supplier from a neighbor's phone. Follow the gas supplier's instructions.
 - If you cannot reach your gas supplier, call the fire department.
- Installation and service must be performed by a qualified installer, service agency or the gas supplier.

continued on next page

UNDERSTANDING DRYER SAFETY

IMPORTANT SAFETY INSTRUCTIONS

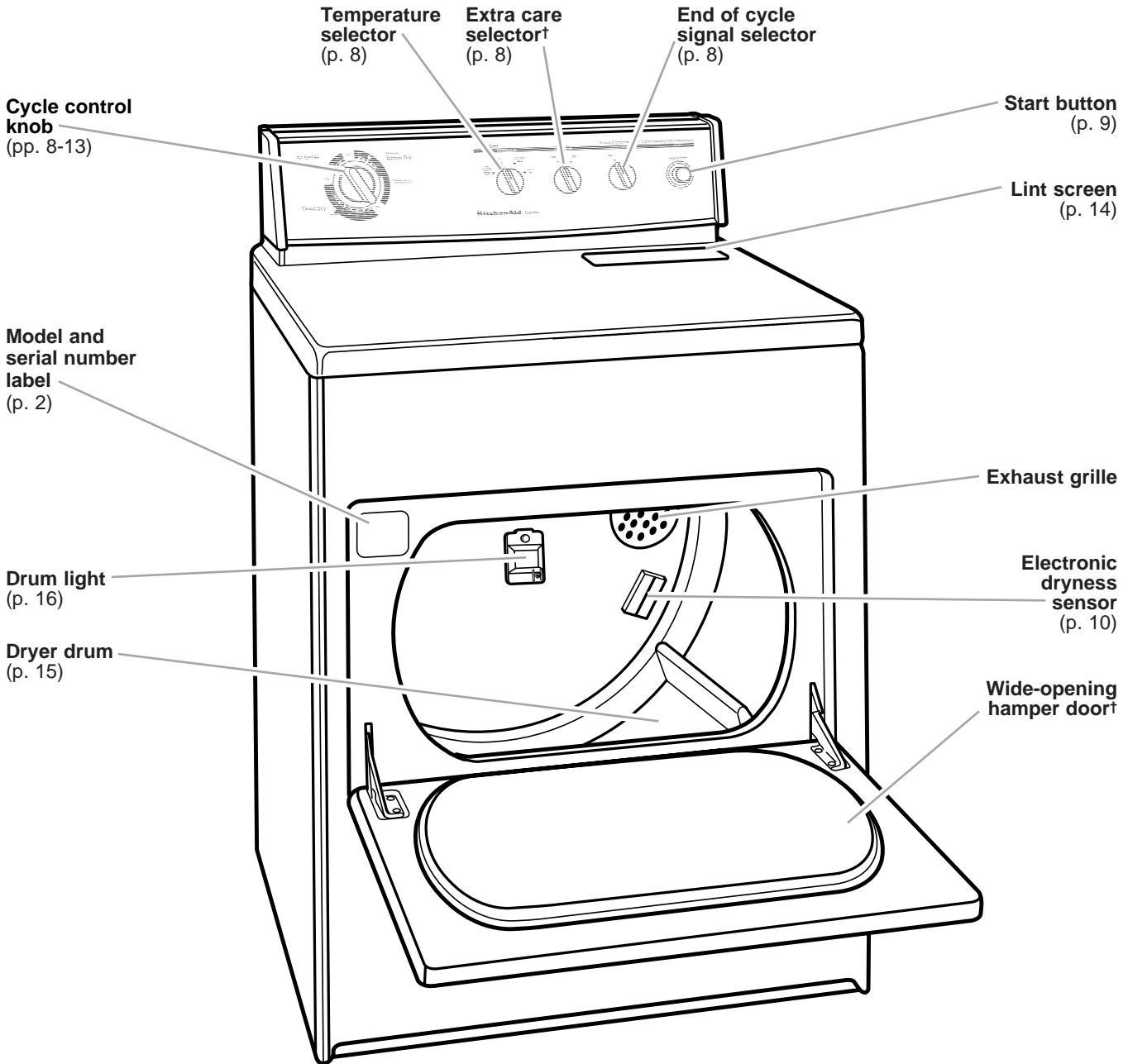
WARNING – To reduce the risk of fire, electric shock, or injury to persons when using the dryer, follow basic precautions, including the following:

- Read all instructions before using the dryer.
- Do not dry articles that have been previously cleaned in, washed in, soaked in, or spotted with gasoline, dry-cleaning solvents, other flammable, or explosive substances as they give off vapours that could ignite or explode.
- Do not allow children to play on or in the dryer. Close supervision of children is necessary when the dryer is used near children.
- Before the dryer is removed from service or discarded, remove the door to the drying compartment.
- Do not reach into the dryer if the drum is moving.
- Do not install or store the dryer where it will be exposed to the weather.
- Do not tamper with controls.
- Do not repair or replace any part of the dryer or attempt any servicing unless specifically recommended in this Use and Care Guide or in published user-repair instructions that you understand and have the skills to carry out.
- Do not use fabric softeners or products to eliminate static unless recommended by the manufacturer of the fabric softener or product.
- Do not use heat to dry articles containing foam rubber or similarly textured rubber-like materials.
- Clean lint screen before or after each load.
- Keep area around the exhaust opening and adjacent surrounding areas free from the accumulation of lint, dust, and dirt.
- The interior of the dryer and exhaust vent should be cleaned periodically by qualified service personnel.
- See Installation Instructions for grounding requirements.

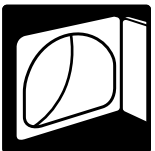
– SAVE THESE INSTRUCTIONS –

PARTS AND FEATURES

This manual covers several different models. The dryer you have purchased may have some or all of the parts and features listed below.



Other Doors:



Super wide-opening door†
(Reversible door-see Installation Instructions)

Additional features your dryer may have:

Ultra Low temperature setting (p. 9)

Extra Low temperature setting (p. 9)

Drying Rack (p. 13)

† On some models

CHECKING YOUR VENT

Your dryer must be properly installed and vented to achieve maximum drying efficiency and shorten drying times. Use the minimum recommended installation clearances (found in your Installation Instructions) to avoid blocking the flow of combustion and ventilation air. Install your dryer in a well-ventilated room where the temperature is always above 7°C (45°F). Also make sure that your dryer is leveled. Refer to your Installation Instructions for more information.

Venting

⚠️ WARNING



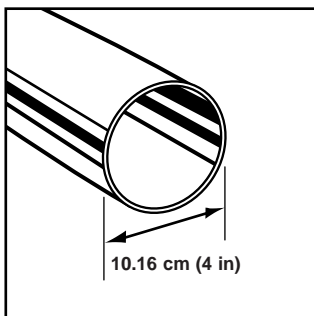
Fire Hazard

- Use a heavy metal vent.
- Do not use a plastic vent.
- Do not use a metal foil vent.
- Failure to follow these instructions can result in death or fire.

If the dryer is not properly installed and vented, it will not be covered under the warranty.

NOTE: Service calls caused by improper venting will be paid for by the customer, whether it was a paid installation or self-installed. For paid installation, call the company that installed the vent for adjustment.

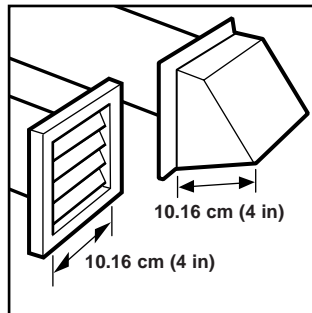
1. Do not use plastic vent or flexible metal foil vent.



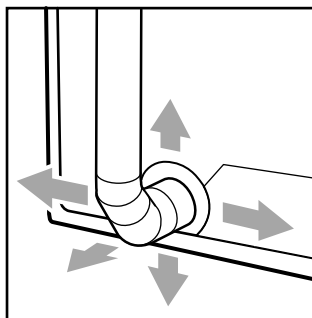
Use 10.16 cm (4 in) heavy metal or flexible metal vent. Do not kink or crush flexible metal vent. It must be completely extended to allow adequate exhaust air to flow. Check vent after installation. Refer to your Installation Instructions for proper

length requirements of vent.

2. Use a 10.16 cm (4 in) exhaust hood. Smaller hoods increase drying times.



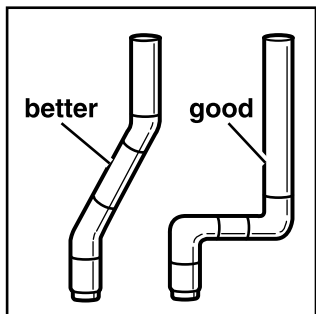
3. The exhaust vent can be routed up, down, left, right, or straight out the back of the dryer. Space requirements are listed in your Installation Instructions.



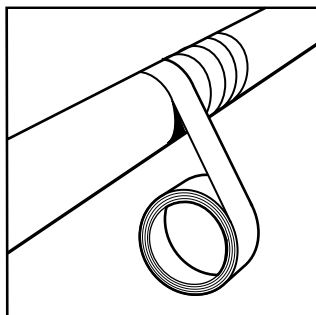
CHECKING YOUR VENT

Venting (cont.)

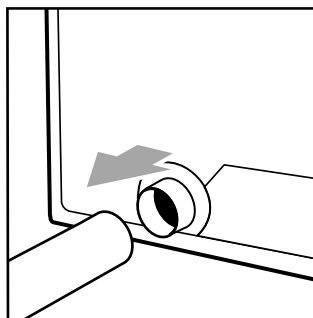
4. Use the straightest path possible when routing the exhaust vent. Use the fewest number of elbows and turns. Allow room when using elbows or making turns. Bend vent gradually to avoid kinking.



5. Use duct tape to seal all joints. **Do not** use screws to secure vent. Lint may catch on screws.



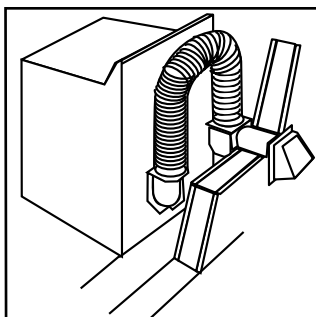
6. Clean exhaust vent periodically, depending on use, but at least every 2 years, or when installing your dryer in a new location.



- Disconnect vent from the dryer and clean one section at a time until you reach the exhaust hood.
- Use the hose attachment on your vacuum, or a pole or wire with a feather duster or rag attached, to clean out lint.
- Be sure the flapper on the outside end of vent moves freely.
- When cleaning is complete, be sure to follow the Installation Instructions supplied with your dryer for final product check.

SURE CONNECT* Vent Kit (optional)

For safe and easy installation of your dryer, a complete exhaust vent kit is available. SURE CONNECT Vent Kit (No. 4396028) contains everything you need to install your dryer.

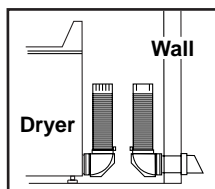


The kit contains:

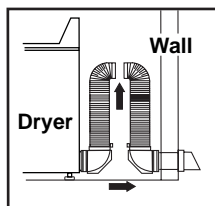
- 2 - 1.22 m (4 ft) vent sections with attached close elbows
- 1 - Wall plate for close clearance installations
- 2 - 10.16 cm (4 in) clamps

The SURE CONNECT Vent Kit (No. 4396028) can be ordered by calling **1-800-807-6777**.

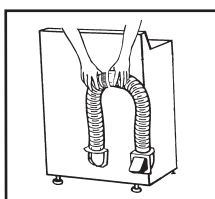
To install vent:



1. Clamp one elbow/vent section to the wall and one to the dryer.



2. Extend the vent upward, almost to the top of the dryer, then push the dryer to the wall.



3. From over the top, snap the vent together.

OPERATING YOUR DRYER

Starting your dryer

⚠️ WARNING



Explosion Hazard

Keep flammable materials and vapours, such as gasoline, away from dryer.

Do not dry anything that has ever had anything flammable on it (even after washing).

Failure to follow these instructions can result in death, explosion, or fire.

⚠️ WARNING



Fire Hazard

No washer can completely remove oil.

Do not dry anything that has ever had any type of oil on it (including cooking oils).

Items containing foam, rubber, or plastic must be dried on a clothesline or by using an Air Cycle.

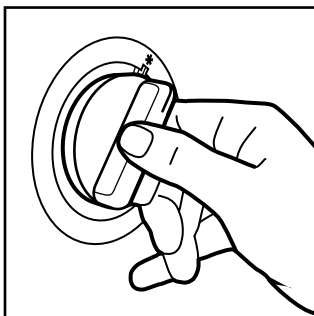
Failure to follow these instructions can result in death or fire.

Before using your dryer, wipe the dryer drum with a damp cloth to remove dust from storing and shipping.

1. Load clothes loosely into the dryer and close the door. Do not pack the dryer; allow space for clothes to tumble freely.



2. Turn the Cycle Control knob to the recommended cycle for the type of load being dried.



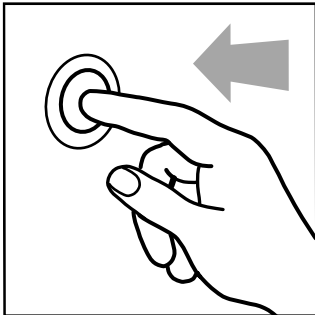
Use the Energy Preferred Automatic Setting (*) in the Sensor Dry cycle to dry most heavyweight and mediumweight loads.

3. Set the Temperature selector to the recommended setting for the type of fabric being dried. The cycle descriptions later in this section include temperature setting suggestions.
4. (OPTIONAL STEP) Set the End of Cycle Signal selector to On or to the volume level you prefer (on some models) if you want the dryer to prefer a signal when a cycle is finished. The signal is helpful when you are drying permanent press, synthetics, and other items that should be removed from the dryer as soon as it stops.
5. (OPTIONAL STEP) Your dryer may have an On/Off Extra Care selector. The Extra Care feature protects your clothes from wrinkling when you do not remove them from the dryer as soon as it stops.
 - Set the Extra Care selector to On to tumble the load without heat every few minutes up to 45 minutes after the drying cycle ends.
 - A signal will sound every few minutes while Extra Care is running if the End of Cycle Signal feature is set On.
 - Set the Extra Care selector to Off if you do not want to run this feature.

OPERATING YOUR DRYER

Starting your dryer (cont.)

6. Push the Start button.



NOTE: Your dryer stops automatically when a cycle ends.

Stopping and restarting your dryer

You can stop your dryer anytime during a cycle.

To stop your dryer:

Open the dryer door or turn the Cycle Control knob to Off.

NOTE: The Cycle Control knob should point to an Off area when the dryer is not in use.

To restart your dryer:

Close the door, select a new cycle and temperature (if desired), and push the Start button.

Selecting the right cycle and temperature setting

Cycle and temperature tips

- In the Automatic cycle (Sensor Dry), the FLO-THRU™ Drying System automatically reduces the heat near the end of the cycle to prevent overdrying.
- If your dryer has a special Ultra Low or Extra Low temperature setting, this reduces drying temperatures and provides enhanced fabric care for delicates and other fine fabrics.
- If some types of loads in the cycle descriptions have more than one suggested temperature setting, choose the lowest setting available on your dryer.
- The last few minutes of all cycles are without heat to make the load cooler to handle.

Drying tips

- Make sure you have selected the correct cycle and temperature for your load. For example, select a High temperature setting for best drying results with extra heavy items.
- Always follow care label directions when they are available.
- If you use fabric softener sheets, always use fabric softener sheets labeled as dryer safe and follow package instructions carefully.
- Remove the load from the dryer as soon as tumbling stops to reduce wrinkling. This is especially important for permanent press, knits, and synthetic fabrics.

OPERATING YOUR DRYER

Loading

Loading suggestions

The chart below provides some guidelines on various types of drying loads. Load clothes loosely into the dryer. Do not pack the dryer; allow space for clothes to tumble freely.

Heavy Work Clothes	Delicates	Towels	Mixed Load
3 pair pants	3 camisoles	10 bath towels	3 double sheets
3 shirts	1 quilted robe	10 hand towels	4 pillowcases
4 pair jeans	4 slips	14 wash cloths	8 T-shirts
1 coverall	4 panties	1 bath mat	6 pair shorts
1 overall	2 bras		2 shirts
	2 nighties		2 blouses
	1 baby's dress		8 handkerchiefs

Automatic cycle

Your dryer has an Automatic cycle, Sensor Dry. Sensor Dry uses an electronic dryness sensor control that senses the amount of moisture in the load and shuts off the dryer when the selected dryness is reached. The Cycle Control knob does not move until the load is almost dry. After the cool-down, the knob automatically turns to an Off area and tumbling stops.

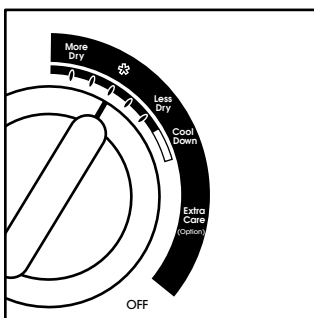
- Dry most loads using the Energy Preferred Automatic Setting (*) in the Sensor Dry cycle.
- For any Automatic setting, you can choose any temperature setting you want.
- If the load is drier than you like, select a setting closer to Less Dry the next time you dry a similar load.

- If the load is not as dry as you like, complete drying using the Timed Dry cycle (see next page). Select a setting closer to More Dry the next time you dry a similar load.
- The Extra Care feature (on some models) protects your clothing from wrinkles if you are unable to unload the dryer within 5 minutes after tumbling stops. The Extra Care feature tumbles the load without heat every few minutes up to 45 minutes after the cycle ends.

NOTE: If the Extra Care selector is set to Off, the Sensor Dry cycle ends after cool-down.

A signal will sound every few minutes when Extra Care is running if the End of Cycle Signal feature is set On. The signal and cycle stop when you open the dryer door.

Use the Sensor Dry Automatic cycle for

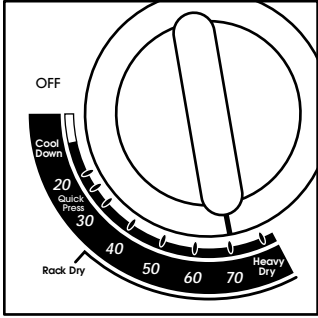


heavyweight and mediumweight cotton items, such as towels, linens, bedspreads, work clothes, blue jeans, and corduroys. Set your dryer to a heat setting that matches the care label directions.

OPERATING YOUR DRYER

Timed Dry cycle

Use the Timed Dry cycle to complete drying if some items are damp after Automatic drying.



- Heavyweight and bulky items, such as bedspreads and work clothes, and large loads require a long drying time. Set your Cycle Control knob for 50 to 70 minutes, and your Temperature selector to

a heat setting that matches the care label directions.

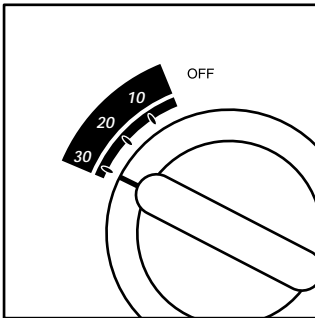
- Lightweight items, such as lingerie, blouses, and knits, require a short drying time. Set your Temperature selector to a low or medium setting and the Cycle Control knob for 20 to 30 minutes.

- Use the Heavy Dry feature to dry large items or items that are thicker or heavier than a regular load. Set your Temperature selector to a heat setting that matches the care label directions.
- The Quick Press feature removes wrinkles from clothes that have been packed in a suitcase or closet, or from items not removed from the dryer at the end of a cycle. As soon as the dryer stops, fold or put the items on hangers. Set your Temperature selector to Med.
- Use the Rack Dry feature (on some models) to dry items without tumbling them. See the “Using the drying rack” section.

OPERATING YOUR DRYER

Air Tumble cycle

Use the unheated Air Tumble cycle for items that require drying without heat. Since this cycle has no heat, the Temperature selector setting will have no effect. The following chart includes examples of items that require drying without heat. Use the Air Tumble cycle or place the items on a line or rack to air dry.



- Line dry bonded or laminated fabrics.
- Always follow care label directions when they are available.

TYPE OF LOAD	AIR TUMBLE CYCLE* (minutes)
<p>RUBBER, PLASTIC, HEAT-SENSITIVE FABRICS</p> <p>Foam Rubber – Pillows, padded bras, stuffed toys</p> <ul style="list-style-type: none"> • Make sure coverings are securely stitched. • Shake and fluff pillows by hand several times during the Air Tumble cycle. • Make sure pillows are completely dry. Foam rubber pillows take a long time to dry. <p>Plastic – Shower curtains, tablecloths</p> <p>Rubber-backed rugs</p> <p>Olefin, Polypropylene, Sheer nylon</p>	<p>20-30</p> <p>20-30</p> <p>40-50</p> <p>10-20</p>

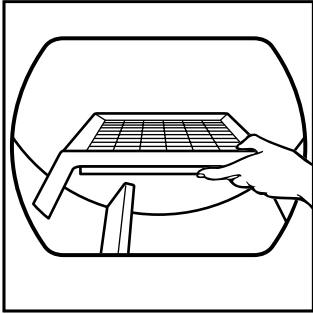
* Reset cycle as needed to complete drying.

OPERATING YOUR DRYER

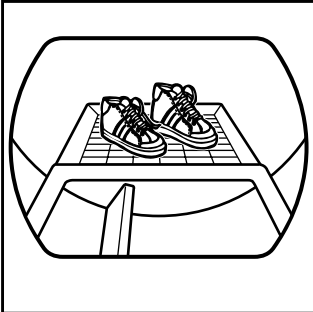
Using the drying rack (on some models)

The drying rack lets you dry items without tumbling them. The rack does not move, but the drum turns.

1. Fit rear legs of the rack into spaces in the back wall of the dryer. Lower the front so the legs rest on the dryer opening.



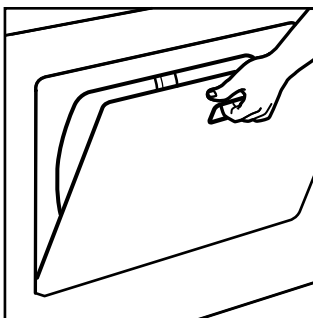
2. Put wet items on top of the rack.



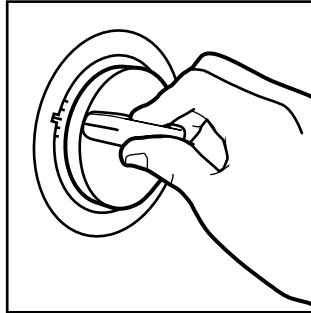
- Leave space between the items so air can reach all surfaces.
- See chart below for suggested cycles and settings for items that might best be rack dried. Drying time will depend on amount of moisture items hold.

NOTE: Make sure nothing hangs over the edge of the rack.

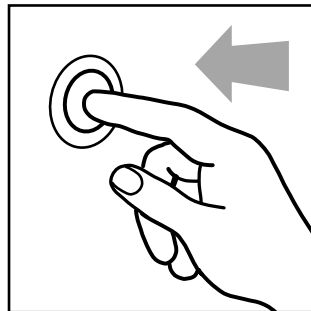
3. Close the door.



4. Select the Timed Dry cycle and temperature, or the Air Tumble cycle.



5. Push the Start button.



NOTE: The rack must be removed for normal tumbling. Automatic cycles do not work with the drying rack.

RACK DRY	CYCLE	TEMPERATURE	TIME* (minutes)
Wool sweaters (Block to shape and lay flat on the rack)	Timed Dry	Low	60
Stuffed toys or pillows (Cotton or polyester fiber filled)	Timed Dry	Low	60
Stuffed toys or pillows (Foam rubber filled)	Air Tumble	None; cycle is unheated.	90
Sneakers or canvas shoes	Air Tumble	None; cycle is unheated.	30-40

*Reset cycle as needed to complete drying.

CARING FOR YOUR DRYER

Proper care of your dryer can extend its life and help your dryer operate efficiently.

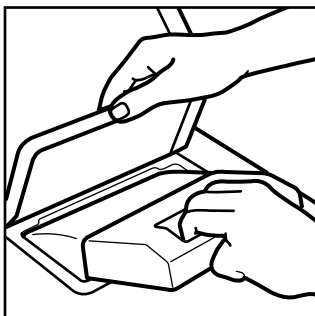
Cleaning the lint screen

Every load cleaning

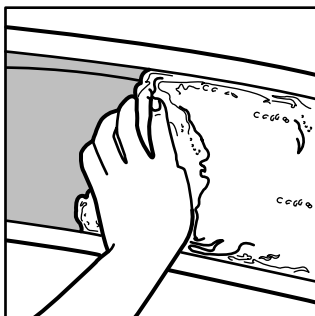
The lint screen is located under a lid on top of the dryer. **Clean it before each load.** A screen blocked by lint can increase drying time.

To clean:

1. Open the lid and pull the lint screen towards you.



2. Roll lint off the screen with your fingers. Do not rinse or wash screen to remove lint. Wet lint is hard to remove.



3. Push the lint screen firmly back into place and close the lid.

IMPORTANT:

- Do not run the dryer with the lint screen loose, damaged, blocked, or missing. Doing so can cause overheating and damage to both the dryer and fabrics.
- Some towels made of synthetic fibers and natural fibers (polyester and cotton blends) may shed more lint than other towels, causing your dryer's lint screen to fill up faster. Be sure to remove lint from the lint screen before and after drying new towels.
- If lint falls into chute, double-check exhaust hood and clean out lint, if necessary.

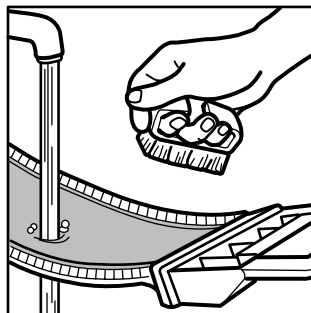
As needed cleaning

Laundry detergents and fabric softeners can cause a residue buildup on the lint screen. This buildup can cause longer drying times for your clothes, or cause the dryer to stop before your load is completely dry. You may be able to see this buildup, or the lint may be falling off the screen because it is clogged.

Clean the lint screen with a nylon brush every six months or more frequently if it becomes clogged due to a residue buildup.

Use the following method:

1. Wet both sides of lint screen with hot water.
2. Wet a nylon brush with hot water and liquid detergent; scrub lint screen with the brush to remove residue buildup.



3. Rinse screen with hot water.
4. **Thoroughly** dry lint screen with a clean towel; replace in dryer.

CARING FOR YOUR DRYER

Cleaning the dryer interior

Garments which contain unstable dyes, such as denim blue jeans or brightly coloured cotton items, may discolour the dryer interior. These stains are not harmful to your dryer and will not stain future loads of clothes. It may be helpful to dry unstable dye items inside out to prevent dye transfer.

NOTE: Even after cleaning, these stains may reappear when similar loads are dried.

To clean dryer drum:

1. Make a paste with powdered laundry detergent and very warm water.
2. Apply paste to a soft cloth.

OR

Apply a liquid, non-flammable household cleaner to the stained area and rub with a soft cloth until all excess dye is removed.



3. Wipe drum thoroughly with a damp cloth.
4. Tumble a load of clean cloths or towels to dry drum.

⚠️ WARNING



Explosion Hazard

Use nonflammable cleaner.

Failure to do so can result in death, explosion, or fire.

Removing accumulated lint from inside the dryer cabinet

Lint can gather inside the dryer and be a fuel for fire. Lint should be removed every 2 years, or more often, depending on dryer usage. Cleaning should be done by a qualified person.

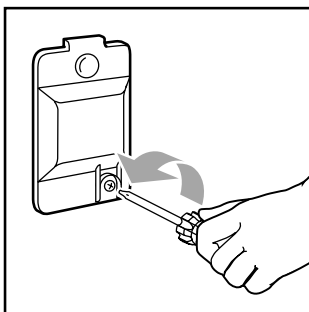
CARING FOR YOUR DRYER

Changing the drum light

The dryer light automatically turns on inside the dryer drum when you open the door.

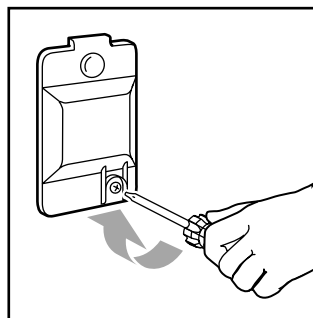
To change drum light:

1. Unplug dryer or disconnect power.
2. Open the dryer door. Remove the light bulb cover from the back wall of the dryer by removing the screw located in the lower right corner of the cover.



3. Remove the light bulb by turning it counterclockwise.
4. Replace the bulb with a 10-watt appliance bulb only.

5. Replace the light bulb cover.



6. Plug in dryer or reconnect power.

TROUBLESHOOTING

Common laundry problems

Problem...	Cause...
Slow drying or clothes still wet	<ul style="list-style-type: none">• Incorrect cycle or temperature setting selected.• Full or clogged lint screen. (See page 14.)• Exhaust vent clogged, restricted, or too long. (See pages 6-7 and Installation Instructions.)• Dryer is not level. The clothes are not contacting the electronic dryness sensor. (See page 10 and Installation Instructions.)• Dryer located in room with temperature below 7°C (45°F).• Load too large and bulky to dry quickly.• Drying heavy fabrics (denim, towels) with light fabrics (synthetics, permanent press).• Fabric softener sheet blocking exhaust grille inside dryer drum.
Lint	<ul style="list-style-type: none">• Full lint screen. (See page 14.)• Load not properly sorted.• Overdrying, especially synthetic fabrics that cause lint-attracting static electricity.• Load size too big or heavy.• Tissue or paper left in pockets.• Pilling (surface fuzz caused by normal wear and laundering) attracts lint.
Static electricity	<ul style="list-style-type: none">• Overdrying.• Dryer fabric softener improperly used. See package directions.• Load includes synthetics, synthetic blends, permanent press, and knit fabrics that build up static electricity.
Wrinkling	<ul style="list-style-type: none">• Overloading.• Overdrying, especially permanent press and synthetic fabrics.• Large items balling or rolling up.• Clothes left in dryer at end of cycle.
Shrinking	<ul style="list-style-type: none">• Overdrying.• Fabric or garment is not designed for tumble drying.• Dryer settings incorrect for fabric type.• Care label directions not followed.
Greasy spots/stains	<ul style="list-style-type: none">• Dryer fabric softener improperly used. Do not add to a warm load.• Drying soiled items.
Colour change	<ul style="list-style-type: none">• Drying dark colours with light colours.• Drying colourfast colours with noncolourfast colours.
Garment damage	<ul style="list-style-type: none">• Zippers, snaps, and hooks left open.• Strings and sashes not tied to prevent tangling.• Care label directions not followed.

TROUBLESHOOTING

Common dryer problems

1. Dryer will not start.



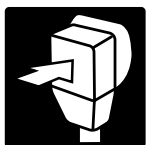
Is the dryer door firmly closed?



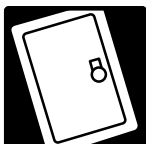
Are the controls set in an On position?



Did you firmly push the Start Button?



Is the power cord plugged in?



Have you blown a fuse or tripped the circuit breaker? Electric dryers use 2 household fuses or breakers.

2. Lint accumulation in hood or exhaust vent, or extended drying times.

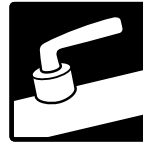


Is the lint screen full?

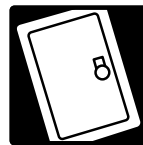


Is the exhaust vent or outside exhaust hood clogged with lint? Refer to the "Venting" section on pages 6-7.

3. No heat



For gas dryers, is the valve open on the supply line? Also, some dryers may have an internal gas valve.



For electric dryers, have you blown a fuse or tripped a circuit breaker?

Electric dryers use 2 household fuses or breakers. The drum may be turning but you may not have heat.

4. Noises



Does lint screen need to be cleaned (lint alert)?

If the dryer hasn't been used for awhile, there may be a thumping sound during the first few minutes of operation.

If noises continue, call the Consumer Assistance Centre.

5. Odour

When operating a new dryer, the new electric heating element may have an odour.



Are household chemical odours being drawn into dryer? Proper ventilation must be used if painting or staining near the dryer.

NOTE: Store and use paints, varnishes, etc. away from your dryer whenever possible.

If you still have problems, see the "Requesting Assistance or Service" section on page 19.

REQUESTING ASSISTANCE OR SERVICE

If you need assistance or service in Canada ...

For assistance throughout Canada,
call the KitchenAid Canada Consumer



Assistance
Centre toll free,
8:30 a.m. – 6. p.m. (EST):
1-800-461-5681.

When calling:

Please know the purchase date, and the complete model and serial number of your appliance (see the "A Note to You" section). This information will help us to better respond to your request.

Our consultants provide assistance with:

- Features and specifications on our full line of appliances.
- Referrals to local dealers.

KitchenAid service technicians are trained to fulfill the product warranty and provide after-warranty service, anywhere in Canada. **For service in Canada, call one of the following numbers listed below.**

KitchenAid Canada Appliance Service – Consumer Services

Direct service branches:

BRITISH COLUMBIA		1-800-665-6788
ALBERTA		1-800-661-6291
ONTARIO (except 807 area code)	Ottawa area Outside the Ottawa area	1-800-267-3456 1-800-807-6777
MANITOBA, SASKATCHEWAN and 807 area code in ONTARIO		1-800-665-1683
QUEBEC	Montreal (except South Shore) South Shore Montreal Quebec City Sherbrooke	1-800-361-3032 1-800-361-0950 1-800-463-1523 1-800-567-6966
ATLANTIC PROVINCES		1-800-565-1598

If you need replacement parts ...

If you need to order replacement parts, we recommend that you only use factory authorized parts. These parts will fit right and work right, because they are made with the same precision

used to build every new KITCHENAID* appliance. To locate factory authorized replacement parts in your area, call your nearest authorized service centre.

For further assistance ...

If you need further assistance, you can write to KitchenAid Canada with any questions or concerns at:

Consumer Relations Centre
KitchenAid Canada
1901 Minnesota Court
Mississauga, Ontario L5N 3A7

Please include a daytime phone number in your correspondence.

DRYER WARRANTY

LENGTH OF WARRANTY	KITCHENAID CANADA WILL PAY FOR	KITCHENAID CANADA WILL NOT PAY FOR
TWO YEAR FULL WARRANTY FROM DATE OF PURCHASE	Replacement parts and repair labour costs to correct defects in materials or workmanship. Service must be provided by an authorized KitchenAid servicing outlet.	<p>A. Service calls to:</p> <ol style="list-style-type: none"> 1. Correct the installation of the dryer, including venting. Heavy 10.16 cm (four-inch) metal exhaust vent must be used. Refer to the venting section of this manual and your Installation Instructions. 2. Instruct you how to use the dryer. 3. Replace house fuses or correct house wiring or plumbing. 4. Replace owner accessible light bulbs. <p>B. Repairs when dryer is used in other than normal home use.</p> <p>C. Damage resulting from accident, alteration, misuse, abuse, improper installation (including, but not limited to, venting with plastic or flexible foil), or installation not in accordance with local electrical or plumbing codes.</p> <p>D. Any labour costs during limited warranties.</p> <p>E. Replacement parts or repair labour costs for units operated outside Canada.</p> <p>F. Pickup and delivery. This product is designed to be repaired in the home.</p> <p>G. Repairs to parts or systems resulting from unauthorized modifications made to the appliance.</p> <p>H. Travel or transportation expenses for customers who reside in remote areas.</p>
THIRD THROUGH FIFTH YEAR LIMITED WARRANTY FROM DATE OF PURCHASE	Replacement parts for any electrical element on electric models or any burner on gas models to correct defects in materials or workmanship. Replacement of the motor due to defects in materials and workmanship.	
THIRD THROUGH TENTH YEAR LIMITED WARRANTY FROM DATE OF PURCHASE	Replacement parts for the dryer drum if it rusts due to defects in materials or workmanship. Replacement of parts for the dryer top/cabinet assembly should any sign of rust appear due to defects in materials or workmanship.	

4/98

KITCHENAID CANADA DOES NOT ASSUME ANY RESPONSIBILITY FOR INCIDENTAL OR CONSEQUENTIAL DAMAGES. Some provinces do not allow the exclusion or limitation of incidental or consequential damages, so this exclusion or limitation may not apply to you. This warranty gives you specific legal rights and you may also have other rights which may vary from province to province.

If you need assistance or service, first see the "Troubleshooting" section of this book. After checking "Troubleshooting," additional help can be found by checking the "Requesting Assistance or Service" section. Call KitchenAid Canada at one of the telephone numbers listed on page 19.

KitchenAid Canada
Mississauga, Ontario L5N 3A7

GUIDE D'UTILISATION ET D'ENTRETIEN

KitchenAid*

Sécheuses électriques et à gaz

Note à l'utilisateur	2
Sécurité de la sécheuse ..	3 à 4
Pièces et caractéristiques	5
Vérification du conduit d'évacuation.....	6
Fonctionnement de la sécheuse	8
Mise en marche de la sécheuse	8
Sélection du réglage de programme et de la température corrects	10
Chargement.....	10
Programme automatique.....	11
Programme de séchage minuté.....	12
Programme de culbutage de séchage à l'air	13
Utilisation de la grille de séchage	14
Entretien de la sécheuse	15
Diagnostic	18
Demande d'assistance ou de service	20
Garantie	24

1-800-461-5681

Pour questions ou
commentaires

www.kitchenaid.com/canada

3405634



NOTE A L'UTILISATEUR

Nous vous remercions de votre achat d'un appareil ménager KITCHENAID*!

KitchenAid conçoit les meilleurs outils pour la pièce la plus importante dans votre maison. Nous avons préparé ce Guide d'utilisation et d'entretien pour que votre appareil puisse vous fournir de nombreuses années de service sans problème. Il contient des renseignements importants concernant l'utilisation et l'entretien convenables et en sécurité de votre nouvel appareil. Veuillez le lire attentivement.

Veuillez également remplir et nous retourner la carte ci-jointe d'enregistrement du produit.

Au Canada pour assistance

Contactez le Centre d'assistance à la clientèle, sans frais **1-800-461-5681**
8 h à 18 h (EST)

Si vous avez besoin d'assistance ou de service, consultez d'abord la section "Diagnostic" dans cette brochure. Après avoir consulté la section "Diagnostic", on peut également obtenir de l'aide à la section "Demande d'assistance ou de service" ou en téléphonant à l'un des numéros mentionnés ci-dessus.

Lors de votre appel, vous devrez communiquer le numéro de série et le numéro de modèle complet de l'appareil. Vous pouvez trouver cette information sur la plaque signalétique (voir le schéma à la section "Composants et caractéristiques").

Conserver cette brochure et la facture d'achat ensemble en lieu sûr pour consultation ultérieure. Pour obtenir le service sous garantie, vous devez fournir une preuve d'achat ou la date d'installation.

Numéro de modèle _____

Constructeur/Concessionnaire _____

Numéro de série _____

Adresse _____

Date d'installation _____

Téléphone _____

SÉCURITÉ DE LA SÈCHEUSE

Votre sécurité et celle des autres est très importante.

Nous donnons de nombreux messages de sécurité importants dans ce manuel et sur votre appareil ménager. Assurez-vous de toujours lire tous les messages de sécurité et de vous y conformer.



Voici le symbole d'alerte de sécurité.

Ce symbole d'alerte de sécurité vous signale les dangers susceptibles de causer le décès et des blessures graves.

Tous les messages de sécurité seront précédés du symbole d'alerte de sécurité et du mot "DANGER" ou "AVERTISSEMENT". Ces mots signifient :

⚠ DANGER

Risque certain de décès ou de blessure grave si vous ne suivez pas les instructions.

⚠ AVERTISSEMENT

Risque possible de décès ou de blessure grave si vous ne suivez pas les instructions.

Tous les messages de sécurité identifient le danger et vous disent comment réduire le risque de blessure et ce qui peut se produire en cas de non-respect des instructions.

AVERTISSEMENT : Pour votre sécurité, les renseignements dans ce manuel doivent être observés pour réduire au minimum les risques d'incendie ou d'explosion ou pour éviter des dommages au produit, des blessures ou un décès.

- Ne pas entreposer ou utiliser de l'essence ou d'autres vapeurs ou liquides inflammables à proximité de cet appareil ou de tout autre appareil électroménager.
- QUE FAIRE DANS LE CAS D'UNE ODEUR DE GAZ :
 - Ne pas tenter d'allumer un appareil.
 - Ne pas toucher à un commutateur électrique; ne pas utiliser le téléphone se trouvant sur les lieux.
 - Évacuer tous les gens de la pièce, de l'édifice ou du quartier.
 - Appeler immédiatement le fournisseur de gaz d'un téléphone voisin. Suivre ses instructions.
 - À défaut de joindre votre fournisseur de gaz, appeler les pompiers.
- L'installation et l'entretien doivent être effectués par un installateur qualifié, une agence de service ou le fournisseur de gaz.

suite à la page suivante

SÉCURITÉ DE LA SÈCHEUSE

IMPORTANTES INSTRUCTIONS DE SÉCURITÉ

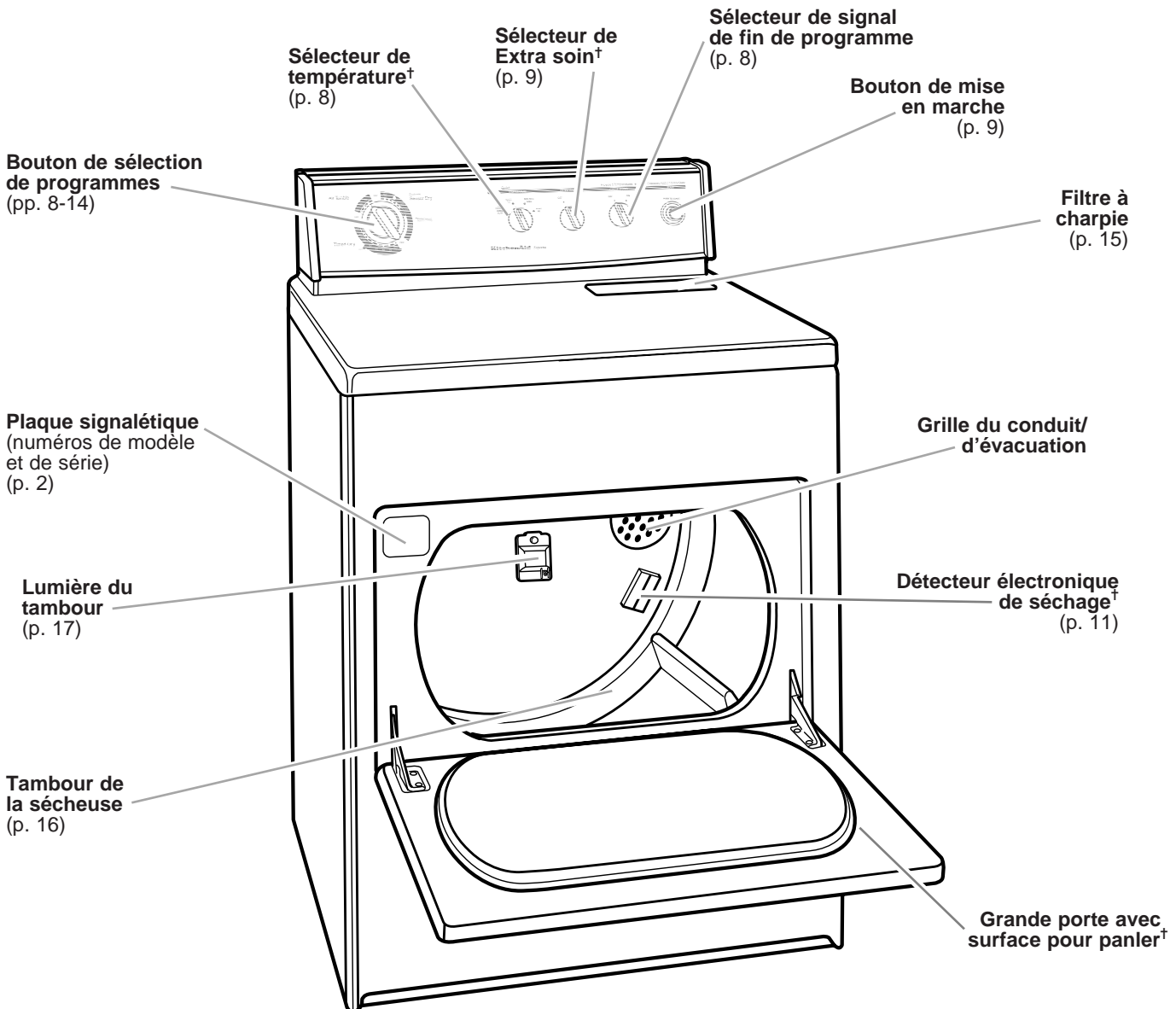
AVERTISSEMENT – Pour réduire le risque d'incendie, de choc électrique ou de blessure lors de l'utilisation de la sècheuse, il convient d'observer certaines précautions élémentaires dont les suivantes :

- Lire toutes les instructions avant d'utiliser la sècheuse.
- Ne pas faire sécher des articles dans la machine qui ont déjà été nettoyés, lavés, imbibés, ou tachés d'essence, de solvants pour nettoyage à sec, d'autres substances inflammables, ou de substances explosives puisqu'elles dégagent des vapeurs qui peuvent provoquer un incendie ou une explosion.
- Ne pas permettre à des enfants de jouer avec ou de monter sur ou à l'intérieur de la sècheuse. Une surveillance étroite est nécessaire lorsque la sècheuse est utilisée près d'eux.
- Avant d'enlever la sècheuse du service ou la jeter, enlever la porte du compartiment de séchage.
- Ne pas mettre la main dans la sècheuse si le tambour est en mouvement.
- Ne pas installer ou entreposer la sècheuse où elle sera exposée aux intempéries.
- Ne pas jouer avec les commandes.
- Ne pas réparer ni remplacer une pièce de la sècheuse ou essayer d'en faire l'entretien à moins d'une recommandation spécifique dans le guide d'utilisation et d'entretien, ou publiée dans les instructions de réparation par l'utilisateur que vous comprenez et pouvez exécuter avec compétence.
- Ne pas utiliser un produit assouplissant de tissu ou des produits pour éliminer le statique à moins qu'ils soient recommandés par le fabricant du produit assouplissant de tissu ou du produit.
- Ne pas utiliser le chaleur pour faire sécher des articles fabriqués avec du caoutchouc mousse ou des matériaux semblables.
- Nettoyer le filtre à charpie avant et après chaque charge.
- Ne pas laisser la charpie, la poussière, ou la saleté s'accumuler autour du système d'évacuation ou autour de l'appareil.
- Un nettoyage périodique de l'intérieur de la sècheuse et du conduit d'évacuation doit être effectué par une personne qualifiée.
- Voir les instructions d'installation pour les exigences de liaison de l'appareil à la terre.

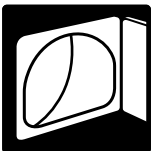
– CONSERVEZ CES INSTRUCTIONS –

PIÈCES ET CARACTÉRISTIQUES

Les schémas dans ce manuel peuvent varier selon le modèle de votre sècheuse. Ces dessins servent à montrer les différentes caractéristiques de tous les modèles couverts par ce manuel. Il se peut que votre modèle ne présente pas toutes les caractéristiques.



Autres portes :



Porte avec super grande ouverture[†]
(Porte réversible-Voir instructions d'installation)

[†]Sur certains modèles

Autres caractéristiques possibles sur votre sècheuse :

- Réglage de température Ultra Low (Ultra bas) (p. 10)
- Réglage de température Extra Low (Extra bas) (p. 10)
- Grille de Séchage (p. 14)

VERIFICATION DU CONDUIT D'ÉVACUATION

La sècheuse doit être bien installée et munie d'un système adéquat d'évacuation de l'air pour donner une efficacité maximale de séchage. Installer la sècheuse dans un endroit bien aéré où la température est toujours au-dessus de 7°C (45°F). S'assurer également que la sècheuse est d'aplomb. Voir les pour plus de renseignements.

Évacuation

⚠ AVERTISSEMENT



Risque d'incendie

Utiliser un conduit d'évacuation en métal lourd.

Ne pas utiliser un conduit d'évacuation en plastique.

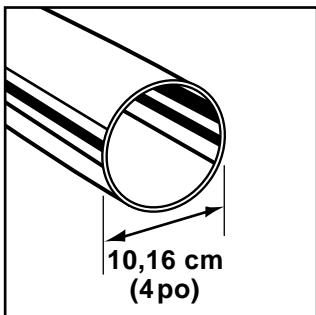
Ne pas utiliser un conduit d'évacuation en feuille de métal.

Le non-respect de ces instructions peut causer un décès ou un incendie.

Si la sècheuse n'est pas bien installée et munie d'un système adéquat d'évacuation de l'air, elle n'est pas couverte en vertu de la garantie.

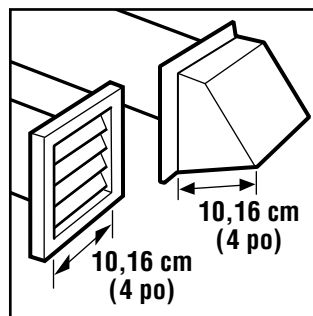
REMARQUE : Les visites de service nécessitées par une évacuation inadéquate seront aux frais du client peu importe s'il a fait faire l'installation ou s'il l'a faite lui-même. Dans le cas d'une installation payée, communiquer avec la compagnie qui a fait l'installation, pour tout ajustage requis.

1. Il faut utiliser un conduit d'évacuation en métal lourd ou flexible de 10,16 cm (4 po). **Ne pas** utiliser un conduit d'évacuation flexible en feuille de métal. Ne pas écraser ou déformer le conduit d'évacuation en métal. Il doit être complètement déployé pour permettre l'évacuation adéquate de l'air.



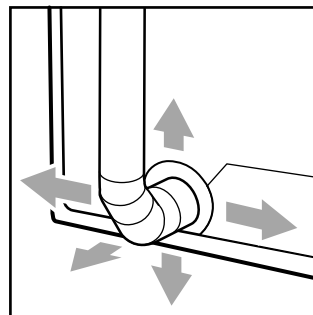
Vérifier le conduit d'évacuation après l'installation. Se référer aux instructions d'installation pour la bonne longueur du conduit d'évacuation.

2. Utiliser un clapet d'évacuation de 10,16 cm (4 po).



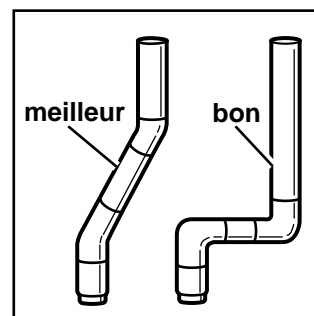
Les clapets plus petits augmentent la durée requise de séchage.

3. On peut acheminer le conduit d'évacuation vers



le haut, vers le bas, vers la gauche, vers la droite, ou en ligne droite depuis l'arrière de la sècheuse. L'espace de dégagement minimal est indiqué dans les instructions d'installation.

4. Utiliser l'acheminement le plus rectiligne possible lors de l'installation du conduit d'évacuation.

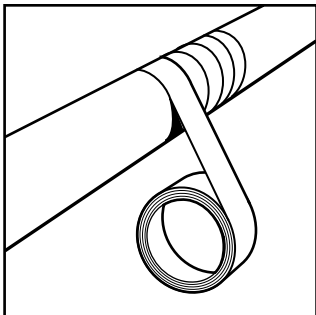


Utiliser le moins possible de coudes et de virages. Accorder de l'espace lors de l'utilisation de coudes ou de virages. Plier le conduit graduellement pour éviter de le déformer.

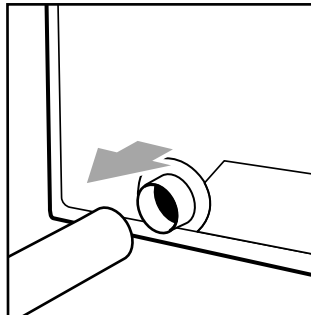
VERIFICATION DU CONDUIT D'ÉVACUATION

Évacuation (suite)

5. Sceller chaque joint avec du ruban adhésif pour conduits. **Ne pas** utiliser de vis pour fixer le conduit d'évacuation. La charpie risque de s'accrocher aux vis.



6. Nettoyer périodiquement le conduit d'évacuation, selon l'utilisation, mais au moins à tous les 2 ans ou lors de l'installation de la sècheuse à un nouvel endroit.



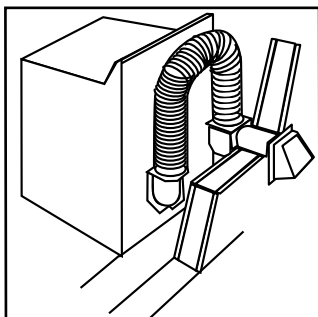
selon l'utilisation, mais au moins à tous les 2 ans ou lors de l'installation de la sècheuse à un nouvel endroit.

- Déconnecter le conduit d'évacuation de la sècheuse et nettoyer une section à la fois jusqu'au clapet d'évacuation.

- Utiliser le tuyau d'un aspirateur, ou un manche (ou une broche) auquel vous aurez fixé un chiffon ou une brosse d'époussetage, pour enlever la charpie.
- S'assurer que le clapet à l'extrémité extérieure du conduit d'évacuation fonctionne librement.
- Après le nettoyage, veuillez suivre les instructions d'installation fournies avec la sècheuse pour une vérification finale de l'appareil.

Nécessaire d'évacuation de l'air (facultative) SURE CONNECT*

Pour une installation sécuritaire et facile de votre sècheuse, un nécessaire complet d'évacuation de l'air est disponible. Le nécessaire d'évacuation de l'air SURE CONNECT (n° 4396028) contient tout ce qu'il faut pour installer votre sècheuse.

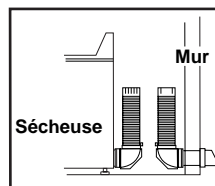


Contenu :

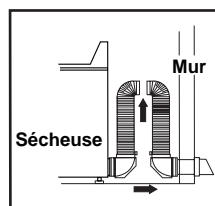
- 2 sections de conduit de 4 pi avec coudes de raccordement
- 1 plaque murale pour installations où l'espace libre est réduit
- 2 brides de 4 po

On peut commander le nécessaire d'évacuation de l'air SURE CONNECT (n° 4396028) en composant **1-800-807-6777**.

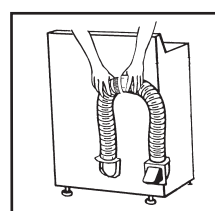
Installation du nécessaire d'évacuation de l'air:



1. Raccorder les sections de conduit à l'arrière de la sècheuse et à la bouche de décharge murale.



2. Déployer les sections de conduit vers le haut, presque jusqu'au sommet de la sècheuse, puis pousser la sècheuse contre le mur.



3. Par le sommet, emboîter ensemble les deux sections de conduit.

FONCTIONNEMENT DE LA SÈCHEUSE

Mise en marche de la sècheuse

⚠ AVERTISSEMENT



Risque d'explosion

Garder les matières et les vapeurs inflammables, telle que l'essence, loin de la sècheuse.

Ne pas faire sécher un article qui a déjà été touché par un produit inflammable (même après un lavage).

Le non-respect de ces instructions peut causer un décès, une explosion ou un incendie.

⚠ AVERTISSEMENT



Risque d'incendie

Aucune laveuse ne peut complètement enlever l'huile.

Ne pas faire sécher des articles qui ont été salis par tout genre d'huile (y compris les huiles de cuisson).

Les articles contenant mousse, caoutchouc ou plastique doivent être séchés sur une corde à linge ou par le programme de séchage à l'air.

Le non-respect de ces instructions peut causer un décès ou un incendie.

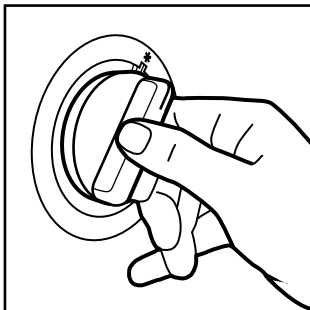
Avant d'utiliser la sècheuse, essuyer le tambour de la sècheuse avec un linge humide pour enlever la poussière accumulé durant l'entreposage et l'expédition.

1. Charger les vêtements dans la sècheuse sans les tasser, et fermer la porte. Ne pas surcharger la sècheuse; prévoir suffisamment d'espace pour



un culbutage libre des vêtements.

2. Tourner le bouton de commande de programmes



au programme recommandé pour le type de la charge à faire sécher.

- Utiliser le réglage automatique préféré de l'énergie (*) pour faire sécher la plupart des charges.

3. Faire le réglage recommandé pour le type de tissu à faire sécher. Les descriptions des programmes aux pages suivantes comprennent des suggestions de réglage de température.
4. (ÉTAPE FACULTATIVE) Régler le sélecteur à On (mise en marche) si vous désirez que la sècheuse (sur certains modèles) laisse entendre un signal sonore lorsqu'un programme est terminé. Le signal sonore est utile lorsqu'on fait sécher de tissus de pressage permanent, synthétiques et autres articles qui devraient être enlevés de la sècheuse aussitôt qu'elle s'arrête.

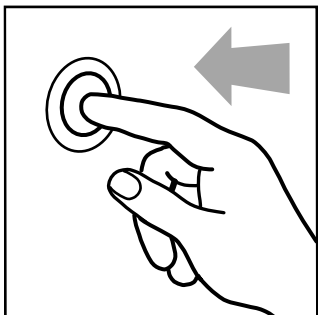
FONCTIONNEMENT DE LA SÈCHEUSE

Mise en marche de la sècheuse (suite)

5. (ÉTAPE FACULTATIVE) Votre sècheuse peut avoir un sélecteur de soin additionnel On/Off (mise en marche/arrêt). Les caractéristiques de soin additionnel protègent votre linge contre le froissement lorsque vous n'enlevez pas la linge de la sècheuse aussitôt qu'elle s'arrête.

- Régler le sélecteur de soin additionnel à On (mise en marche) pour faire culbuter la charge sans chaleur à intervalles de quelques minutes jusqu'à 45 minutes après la fin du programme de séchage.
- Un signal sonore se fera entendre à intervalles de quelques minutes pendant que le soin additionnel est en marche si la caractéristique du signal de fin de programme est réglée à On (mise en marche).
- Régler le sélecteur de soin additionnel à Off (arrêt) si vous ne désirez pas le fonctionnement de cette caractéristique.

6. Appuyer sur le bouton Start (mise en marche).



REMARQUE : La sècheuse s'arrête automatiquement à la fin d'un programme.

Arrêt et remise en marche de la sècheuse

On peut arrêter la sècheuse à tout moment au cours d'un programme.

Pour arrêter la sècheuse :

Ouvrir la porte de la sècheuse ou tourner le bouton de sélection des programmes à Off (arrêt).

REMARQUE : Le bouton de réglage des programmes doit être dirigé en position vers une zone Off (arrêt) lorsque la sècheuse ne fonctionne pas.

Pour remettre en marche la sècheuse :

Fermer la porte, choisir un nouveau programme et une nouvelle température (si désiré), et appuyer sur le bouton Start (mise en marche).

FONCTIONNEMENT DE LA SÈCHEUSE

Sélection du réglage de programme et de la température corrects

Conseils sur les programme et la température

- Au cours du programme automatique (séchage par détecteur), le système de séchage FLO-THRU* réduit automatiquement la chaleur près de la fin du programme pour empêcher le surséchage.
- Si votre sècheuse comporte un réglage de température Ultra Low (ultra bas), ou Extra Low (extra bas), ce réglage réduit les températures de séchage et fournit un soin accentué pour les tissus délicats et autres vêtements délicats.
- Si certains types de charges dans les descriptions de programmes ont plus d'un réglage suggéré de température, choisir le réglage le plus bas disponible sur votre sècheuse.
- Les quelques dernières minutes de tous les programmes sont sans chaleur afin que la charge soit moins chaude à manipuler.

Conseils de séchage

- S'assurer que vous avez choisi le programme et la température corrects pour votre charge. Par exemple, choisir un réglage de température élevée (High) pour obtenir les meilleurs résultats de séchage des articles plus souillés.
- Suivre les instructions sur les étiquettes d'entretien des articles à faire sécher, si elles sont disponibles.
- Si vous utilisez des feuilles d'assouplissant de tissus, toujours utiliser des feuilles d'assouplissant de tissus qui sont étiquetées pour sècheuse, et suivre attentivement les instructions sur l'emballage.
- Retirer la charge de la sècheuse dès l'arrêt du culbutage pour réduire le froissement. Cette directive est particulièrement importante pour les articles de pressage permanent, les tricotés et les tissus synthétiques.

Chargement

Suggestions de chargement

Le tableau ci-dessous fournit certaines directives en relation à divers types de charges à sécher. Charger le linge sans le tasser dans la sècheuse. Ne pas surcharger la sècheuse; accorder de l'espace pour que le linge culbute librement.

Vêtements de travail	Tissus délicats	Serviettes	Charge mixte
3 pantalons	3 camisoles	10 serviettes de bain	3 draps doubles
3 chemises	1 robe de chambre	10 serviettes pour les mains	4 taies d'oreillers
4 jeans	4 jupons	14 débarbouillettes	8 T-shirts
1 salopette	4 culottes	1 tapis de bain	6 pantalons courts
1 couvre-tout	2 soutiens-gorge		2 chemises
	2 chemises de nuit		2 chemisiers
	1 robe de bébé		8 mouchoirs

FONCTIONNEMENT DE LA SÈCHEUSE

Programme automatique

Votre sècheuse comporte le programme automatique Sensor Dry (séchage par détecteur). Le séchage par détecteur utilise un détecteur électronique qui détecte le degré d'humidité dans la charge et arrête la sècheuse lorsque le séchage choisi est atteint.

Le bouton de commande de programme ne se déplacera pas avant que la charge soit presque sèche. Après la période de refroidissement, le bouton tourne automatiquement vers la zone Off (arrêt) et le culbutage s'arrête.

- Sécher la plupart des charges en utilisant le réglage Energy Preferred Automatic (*) dans le programme de séchage par détecteur.
- Pour tout réglage automatique, vous pouvez choisir n'importe lequel des réglages de température que vous désirez.
- Si la charge est plus sèche que vous aimeriez l'avoir, choisir un réglage plus près de Moins sec (Less Dry) la prochaine fois que vous faites sécher une charge semblable.

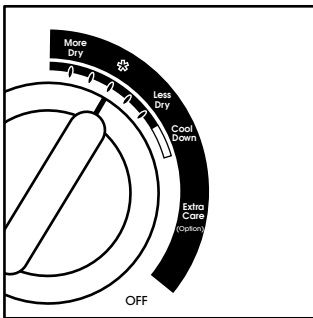
- Si la charge n'est pas aussi sèche que vous aimeriez l'avoir, terminer le séchage en utilisant un programme Timed Dry (séchage minuté). Voir la page suivante. Choisir un réglage plus près de Plus sec (More Dry) la prochaine fois que vous faites sécher une charge semblable.

- La caractéristique Extra Care (Extra soin) (sur certains modèles) protège votre linge des faux plis si vous ne pouvez pas enlever la charge de la sècheuse dans l'intervalle de 5 minutes après l'arrêt du culbutage. La caractéristique Extra Care fait culbeter la charge sans chaleur à intervalles de quelques minutes jusqu'à une période de 40 minutes après la fin du programme.

REMARQUE : Si le sélecteur Extra Care est placé à Off (arrêt), le programme de séchage par détecteur se termine après la période de refroidissement.

Un signal sonore intervient à intervalles de quelques minutes lorsque Extra Care est en marche. Le signal et le programme s'arrêtent lorsqu'on ouvre la porte de la sècheuse.

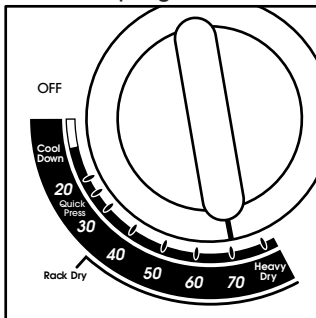
Utiliser le programme de séchage automatique par détecteur pour les articles très épais et les articles de coton de poids moyen, tels que serviettes, toiles, descentes de lit, vêtements de travail, blue jeans, et tissus en velours côtelé. Régler la sècheuse à un réglage de chaleur qui correspond aux directives de soin indiquées sur l'étiquette.



FONCTIONNEMENT DE LA SÈCHEUSE

Programme de séchage minuté

Utiliser le programme Timed Drying (Séchage minuté) pour terminer le séchage de certains articles qui sont encore humides après un séchage automatique. Le programme de séchage minuté est également utile pour :



- Articles lourds et épais, tels que les descentes de lit et les

vêtements de travail et les grosses charges qui exigent un temps de séchage prolongé. Régler le sélecteur de programme pour une durée de 50 à 70 minutes.

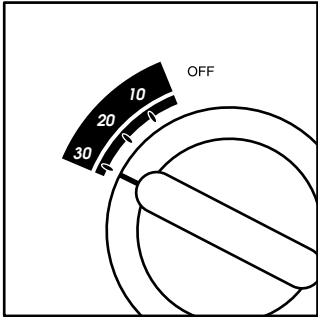
- Articles légers, tels que lingerie, chemisiers et tricotés qui exigent un temps de séchage court. Régler le sélecteur de température à Low (Basse) et le bouton de réglage de programme pour une durée de 20 à 30 minutes.
- Utiliser la caractéristique Heavy Dry (séchage d'articles épais) pour sécher de gros articles ou des articles qui sont plus épais et plus lourds qu'une charge ordinaire. Régler le sélecteur de température à un réglage de chaleur qui correspond aux directives de soin indiquées sur l'étiquette.

- La caractéristique Quick Press qui enlève les faux plis des vêtements qui ont été empilés dans une armoire ou une valise ou qui n'ont pas été enlevés de la sècheuse à la fin d'un programme. Dès que la sècheuse s'arrête, plier et placer les articles sur des cintres. Régler le sélecteur de tissus/temp. à Medium (moyenne).
- Utiliser la caractéristique Rack Dry (séchage sur grille) (sur certains modèles) pour faire sécher des articles sans utiliser le culbutage. Voir la section "Utilisation de la grille de séchage".

FONCTIONNEMENT DE LA SÈCHEUSE

Programme de culbutage de séchage à l'air

Utiliser le programme Air Tumble (culbutage de séchage à l'air) sans chaleur pour les articles qui exigent d'être séchés sans chaleur. Comme ce programme ne comporte pas de chaleur, le réglage du sélecteur de température n'aura aucun effet.



- Faire sécher sur une corde les tissus doublés ou combinés.
- Toujours suivre les directives d'entretien sur l'étiquette lorsqu'elles sont disponibles.

Le tableau ci-dessous comprend des exemples d'articles qui exigent un séchage sans chaleur. Utiliser le programme Air Tumble ou placer les articles sur une corde ou un support pour le séchage à l'air.

TYPE DE CHARGE	PROGRAMME TIMED AIR† (minutes)
Caoutchouc, plastique, tissus sensibles à la chaleur Caoutchouc-mousse – oreillers, soutiens-gorge et jouets rembourrés <ul style="list-style-type: none">• S'assurer que les recouvrements sont bien cousus.• Secouer les oreillers à la main plusieurs fois durant le programme Séchage à l'air.• S'assurer que les oreillers sont complètement secs. Les oreillers en caoutchouc mousse prennent longtemps pour sécher.	20 à 30
Plastique – Rideaux de douche, nappes de table	20 à 30
Caoutchouc – endos de tapis	40 à 50
Oléfine, polypropylène, nylon clair	10 à 20

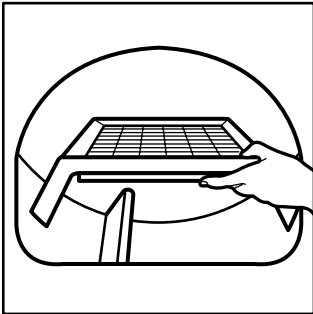
† Remettre en marche le programme au besoin pour compléter le séchage.

FONCTIONNEMENT DE LA SÈCHEUSE

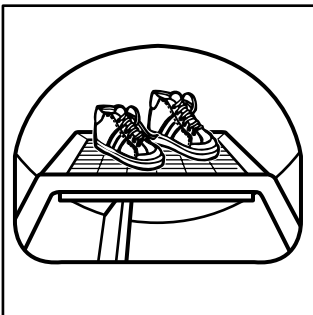
Utilisation de la grille de séchage (sur certains modèles)

La grille de séchage permet de sécher des articles sans culbutage. La grille ne se déplace pas, mais le tambour tourne.

1. Engager les deux pieds (à l'arrière de la grille) dans les cavités de la paroi arrière du tambour. Abaisser l'avant, de sorte que les pieds reposent sur l'ouverture de la sècheuse.



2. Placer les articles mouillés sur la grille. Laisser de l'espace entre les articles pour que l'air puisse atteindre toutes les surfaces.

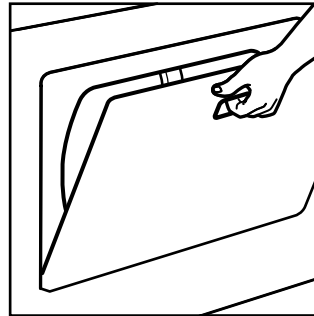


- Consulter le tableau ci-dessous au sujet des programmes et réglages suggérés pour les articles qui peuvent être le mieux séchés sur une grille. La durée de

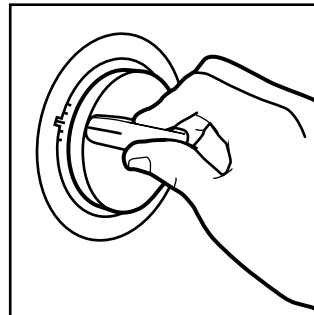
séchage dépend de la quantité d'eau présente dans les articles à sécher.

REMARQUE : S'assurer que rien ne dépasse du bord de la grille.

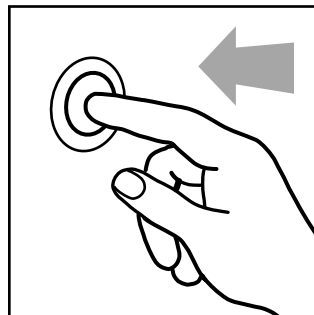
3. Fermer la porte.



4. Sélectionner le programme de Timed Dry (séchage minuté) et la température, ou le programme de Air Tumble (culbutage à l'air).



5. Appuyer sur le bouton de mise en marche.



REMARQUE : On doit retirer la grille pour le culbutage normal. Les programmes automatiques ne fonctionnent pas lorsque la grille de séchage est présente.

SÉCHAGE SUR LA GRILLE	PROGRAMME	TEMPÉRATURE	TEMPS [†] (minutes)
Chandails en laine (étalés à plat sur la grille, selon la forme normale)	Séchage minuté	Basse	60
Jouets rembourrés ou oreillers (garnissage de coton ou de polyester)	Séchage minuté	Basse	60
Jouets en peluche ou oreillers (rembourrage en caoutchouc-mousse)	Culbutage à l'air	Aucune; programme sans chaleur.	90
Espadrilles ou chaussures en toile	Culbutage à l'air	Aucune; programme sans chaleur.	30 à 40

[†] Sélectionner de nouveau un programme, au besoin, pour terminer le séchage.

ENTRETIEN DE LA SÈCHEUSE

Le bon entretien de la sècheuse peut en prolonger la durée d'utilisation et contribuer à son fonctionnement efficace.

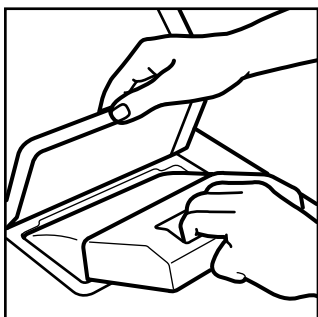
Nettoyage du filtre à charpie

Nettoyage à chaque utilisation

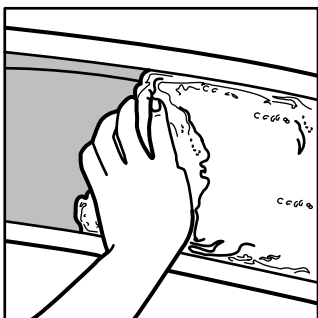
Le filtre à charpie se trouve sous un couvercle sur le dessus de la sècheuse. **Le nettoyer avant chaque séchage.** Un filtre obstrué de charpie peut augmenter le temps requis de séchage.

Nettoyage :

1. Ouvrir le couvercle et retirer le filtre à charpie vers soi.



2. Enlever la charpie du filtre en la roulant avec les doigts. Ne pas rincer ni laver le filtre pour enlever la charpie. La charpie mouillée s'enlève difficilement.



3. Remettre le filtre à charpie fermement en place, et refermer le couvercle.

IMPORTANT :

- Ne pas faire fonctionner la sècheuse avec un filtre à charpie déplacé, endommagé, obstrué ou manquant. Une telle action peut causer un échauffement et endommager à la fois la sècheuse et les tissus.
- Certaines serviettes de fibres synthétiques et de fibres naturelles (mélanges de polyester et de coton) peuvent produire plus de charpie que les autres serviettes, de telle sorte que le filtre à charpie de la sècheuse se remplit plus rapidement. Veuillez enlever la charpie du filtre avant et après le séchage de serviettes neuves.

- Si la charpie tombe dans le conduit d'évacuation, vérifier doublement la sortie d'évacuation et nettoyer la charpie au besoin.

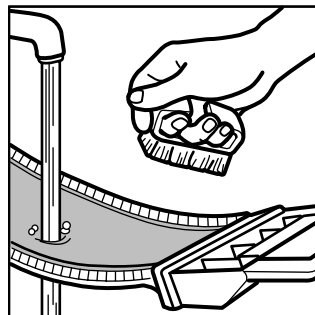
Nettoyage au besoin

Les détergents de buanderie et les produits assouplissants de tissu peuvent causer une accumulation de résidus sur le filtre à charpie. Cette accumulation peut entraîner des temps de séchage plus longs, ou l'arrêt de la machine, avant le séchage complet du linge. Il est possible que vous puissiez voir cette accumulation ou de la charpie peut tomber du filtre parce qu'il est obstrué.

Nettoyer le filtre à charpie avec un pinceau de nylon à tous les six mois ou plus fréquemment s'il devient obstrué par suite d'une accumulation de résidus.

Utiliser la méthode suivante :

1. Mouiller les deux côtés du filtre à charpie avec de l'eau chaude.
2. Mouiller une brosse de nylon avec de l'eau



chaude et du détergent liquide; frotter le filtre avec la brosse pour enlever l'accumulation de résidus.

3. Rincer le filtre à l'eau chaude.
4. Assécher à fond le filtre à charpie avec une serviette propre; le replacer dans la sècheuse.

ENTRETIEN DE LA SÈCHEUSE

Nettoyage de l'intérieur de la sècheuse

Les vêtements contenant des teintures instables tels que jeans en denim ou les articles en coton de couleur peuvent décolorer l'intérieur de la sècheuse. Ces taches ne sont pas nuisibles à votre sècheuse, et ne tacheront pas les futures charges de vêtements. Il est utile de sécher les articles à teintures instables à l'envers, pour empêcher le transfert de la teinture.

REMARQUE : Même après le nettoyage, ces taches peuvent réapparaître lorsque des charges semblables sont sèches.

Nettoyage du tambour de la sècheuse :

1. Préparer une pâte avec du détergent à lessive et de l'eau très chaude.
2. Appliquer la pâte sur un linge doux.

OU

Appliquer un produit de nettoyage liquide ininflammable sur la zone tachée, et frotter avec un linge pour éliminer complètement l'excédent de teinture.



3. Essuyer parfaitement le tambour avec un linge humide.
4. Faire culbuter une charge de chiffons ou de serviettes propres pour sécher le tambour

⚠ AVERTISSEMENT



Risque d'incendie

Remplacer le couvercle de l'ampoule avant l'utilisation de la sècheuse.

Le non-respect de cette instruction peut causer un décès ou un incendie.

ENTRETIEN DE LA SÈCHEUSE

Comment enlever la charpie accumulée de l'intérieur de la sècheuse

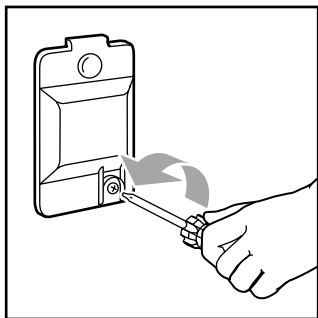
La charpie peut s'accumuler à l'intérieur de la sècheuse et constituer un risque d'incendie. La charpie doit être enlevée à tous les 2 ans, ou plus souvent, selon l'utilisation de la sècheuse. Le nettoyage doit être effectué par une personne qualifiée.

Changement de l'ampoule de du tambour

La lampe de la sècheuse s'allume automatiquement dans le tambour de la sècheuse dès l'ouverture de la porte.

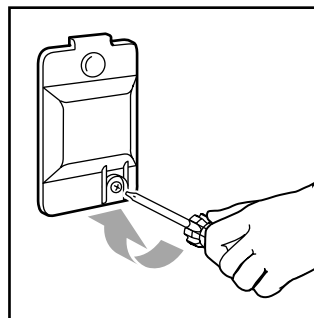
Pour changer l'ampoule du tambour :

1. Débrancher la sècheuse ou déconnecter la source de courant électrique.
2. Ouvrir la porte de la sècheuse. Enlever le couvercle de l'ampoule de la paroi arrière en enlevant la vis située au coin droit inférieur du couvercle.



3. Enlever l'ampoule en la tournant dans le sens antihoraire.

4. Remplacer l'ampoule par une ampoule pour appareils électroménagers de 10 watts seulement.
5. Replacer le couvercle de l'ampoule.



6. Brancher la sècheuse ou reconnecter la source de courant électrique.

DIAGNOSTIC

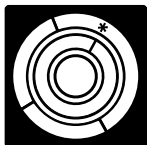
Problème ...	Cause...
Séchage lent ou vêtements encore humides	<ul style="list-style-type: none">• Sélection incorrecte de programme ou de réglage de température.• Filtre à charpie rempli ou obstrué (Voir page 15).• Conduit d'évacuation obstrué, restreint ou trop long (Voir pages 6 et 7 et instructions d'installation).• Sécheuse non d'aplomb, pour permettre aux vêtements de contacter le détecteur électronique de séchage.• Sécheuse située dans une pièce avec température ambiante au-dessous de 7°C (45°F).• Charge trop grande et encombrante pour un séchage rapide.• Séchage de tissus lourds (denim, serviettes) avec des tissus légers (synthétiques, pressage permanent).• Feuille d'assouplissant textile bloquant la grille d'évacuation dans le tambour de la sécheuse.
Charpie	<ul style="list-style-type: none">• Filtre à charpie plein. (Voir page 15.)• Charge non assortie convenablement.• Surséchage, particulièrement des tissus synthétiques, qui provoquent de l'électricité statique attirant la charpie.• Charge de linge trop lourde ou trop grande.• Mouchoirs en papier ou papier laissés dans les poches.• Boulochage (surface boulochée causée par l'usure normale et le lavage) qui attire la charpie.
Électricité statique	<ul style="list-style-type: none">• Surséchage.• Assouplissant textile de sécheuse mal utilisé. Voir mode d'emploi du fabricant.• La charge comprend des tissus synthétiques, mélanges synthétiques, pressage permanent et tissus de tricot qui accumulent l'électricité statique.
Faux plis	<ul style="list-style-type: none">• Surchargement.• Surséchage, particulièrement des tissus de pressage permanent et synthétiques.• Gros articles qui s'enroulent.• Vêtements laissés dans la sécheuse à la fin du programme.
Rétrécissement	<ul style="list-style-type: none">• Surséchage• Type de tissu et qualité inappropriés pour le séchage par culbutage.• Réglage de la sécheuse incorrect pour le type de tissu.• Instructions sur l'étiquette de soins du fabricant non suivies.
Taches de graisse	<ul style="list-style-type: none">• L'assouplissant textile pour sécheuse est utilisé incorrectement. Ne pas ajouter à une charge chaude.• Séchage d'articles sales.
Décoloration	<ul style="list-style-type: none">• Séchage de couleurs foncées avec des couleurs pâles.• Séchage de couleurs grand teint avec des couleurs qui déteignent.
Endommagement des vêtements	<ul style="list-style-type: none">• Fermetures à glissière, boutons pression et crochets laissés ouverts.• Cordelettes et ceintures non attachées pour prévenir le tortillement.• Instructions sur l'étiquette de soins du fabricant non suivies.

Problèmes courants de la sècheuse

1. La sècheuse ne se met pas en marche.



La porte de la sècheuse est-elle bien fermée?



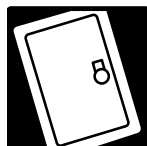
Les réglages sont-ils à la position On (Mise en marche)?



Avez-vous poussé fermement le bouton de mise en marche?



Le cordon de courant électrique est-il branché?



Avez-vous un fusible grillé ou le coupe-circuit est-il ouvert? Les sècheuses électriques emploient 2 fusibles ou coupe-circuit.

2. Accumulation de charpie dans le conduit d'évacuation ou la hotte d'évacuation, ou durées de séchage prolongées.



Le panier d'accumulation de charpie est-il plein?

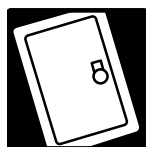


Le conduit d'évacuation ou la hotte d'évacuation à l'extérieur sont-ils obstrués de charpie? Voir la section d'évacuation aux pages 6 et 7.

3. Pas de chaleur



Pour les sècheuses à gaz, les soupapes sont-elles ouvertes sur le conduit d'alimentation? Aussi, certaines sècheuses peuvent avoir une soupape interne de gaz.



Pour les sècheuses électriques, un fusible est-il grillé, ou un circuit ouvert? Les sècheuses électriques emploient 2 fusibles ou coupe-circuits. Le tambour rotatif peut tourner mais il n'y a pas de chaleur.

4. Bruits



Le filtre à charpie a-t-il besoin d'être nettoyé (alerte de charpie)?

Si la sècheuse n'a pas été utilisée depuis quelque temps, il peut exister un bruit saccadé durant les quelques premières minutes de fonctionnement.

Si le bruit continue, communiquer avec le Centre d'aide aux consommateurs.

5. Odeur



Lors du fonctionnement de la sècheuse neuve, l'élément neuf de chauffage électrique peut dégager une odeur.

Des produits chimiques domestiques sont-ils attirés dans la sècheuse? Une bonne aération doit être utilisée si on peint ou teint près de la sècheuse.

REMARQUE : Remiser et utiliser peintures, vernis, etc. loin de votre sècheuse autant que possible.

Si vous avez encore des problèmes, voir "Demande d'assistance ou de service" à la page 20.

DEMANDE D'ASSISTANCE OU DE SERVICE

Demande d'assistance ou de service au Canada ...



Pour obtenir de l'aide dans tout le Canada, contacter sans frais le Centre d'assistance à la clientèle de KitchenAid Canada, 8 h 30 – 18 h (HNE): 1-800-461-5681.

Lors du contact :

Veillez communiquer la date d'achat ainsi que le numéro de série et le numéro de modèle complet de l'appareil (voir la section "Note à l'utilisateur"). Cette information nous aidera à mieux satisfaire vos besoins.

Nos consultants vous renseigneront sur les sujets suivants :

- Caractéristiques et spécifications sur toute notre gamme d'appareils ménagers.
- Concessionnaires locaux.

Les techniciens de service KitchenAid ont reçu la formation qui leur permet d'effectuer les travaux de réparation sous garantie et le service après-vente sur les produits partout au Canada. **Pour service au Canada, téléphoner à une des numéros suivantes inscrit ci-dessous.**

Service d'appareils ménagers KitchenAid Canada – Service aux consommateurs

Succursales de service direct :

COLOMBIE-BRITANNIQUE		1-800-665-6788
ALBERTA		1-800-661-6291
ONTARIO (à l'exception du code régional 807)	Région d'Ottawa En dehors de la région d'Ottawa	1-800-267-3456 1-800-807-6777
MANITOBA, SASKATCHEWAN et code régional 807 en ONTARIO		1-800-665-1683
QUÉBEC	Montréal (à l'exception de la rive sud) Rive Sud Montréal Québec Sherbrooke	1-800-361-3032 1-800-361-0950 1-800-463-1523 1-800-567-6966
PROVINCES DE L'ATLANTIQUE		1-800-565-1598

DEMANDE D'ASSISTANCE OU DE SERVICE

Pour acheter des pièces de rechange ...

Si vous avez besoin de commander des pièces de rechange, nous recommandons l'emploi uniquement de pièces autorisées par l'usine. Ces pièces seront facilement installées et fonctionneront bien parce qu'elles sont fabriquées avec la même

précision mise en oeuvre dans la fabrication de chaque appareil ménager KITCHENAID* neuf. Pour obtenir des pièces de rechange autorisées par l'usine, contacter le Centre de service agréé le plus proche.

Pour obtenir une assistance plus étendue ...

Si vous avez besoin d'une assistance plus étendue, vous pouvez écrire à KitchenAid Canada pour nous communiquer vos questions ou préoccupations, à l'adresse suivante :

Service des relations avec la clientèle
KitchenAid Canada
1901 Minnesota Court
Mississauga, Ontario L5N 3A7

Dans votre correspondance, veuillez indiquer un numéro de téléphone où on peut vous contacter dans la journée.

NOTES

NOTES

GARANTIE DE LA SÈCHEUSE

DURÉE DE LA GARANTIE	KITCHENAID CANADA PAIERA POUR	KITCHENAID CANADA NE PAIERA PAS POUR
GARANTIE COMPLÈTE DE DEUX ANS À COMPTER DE LA DATE D'ACHAT	Pièces de rechange et la main-d'oeuvre pour corriger les vices de matériau ou de fabrication. Les travaux doivent être exécutés par un établissement de service autorisé KitchenAid.	A. Visites de service pour : <ol style="list-style-type: none"> 1. Rectifier l'installation de la sècheuse y compris le système d'évacuation de l'air. Un conduit d'évacuation en métal lourd de 10,16 cm (4 po) doit être utilisé. Se référer à la section d'évacuation dans ce manuel et aux instructions d'installation. 2. Donner des instructions concernant l'utilisation de la sècheuse. 3. Remplacer les fusibles or corriger la filerie de la maison ou la plomberie. 4. Remplacer les ampoules d'éclairage accessibles par le propriétaire. B. Les réparations, lorsque la sècheuse est utilisée à des fins autres qu'un usage familial normal. C. Les dommages imputables à un accident, modification, usage impropre ou abusif, installation fautive, y compris mais sans y être limité, l'évacuation (conduit de plastique ou feuille métallisée souple), ou une installation non conforme aux codes locaux d'électricité ou de plomberie. D. Tous les frais de main-d'oeuvre pendant les périodes de garantie limitée. E. Pièces de rechange ou frais de main-d'oeuvre pour les appareils utilisés en dehors du Canada. F. Transport vers l'atelier et retour. Ce produit est conçu pour être réparé sur place. G. Réparations de pièces ou systèmes résultant de modifications exécutées sans autorisation sur l'appareil. H. Frais de voyage ou de transport pour les clients habitant dans des régions éloignées.
GARANTIE LIMITÉE, DE LA TROISIÈME À LA CINQUIÈME ANNÉE INCLUSIVE-MENT À COMPTER DE LA DATE D'ACHAT	Pièces de rechange pour tout élément électrique sur les modèles électriques ou tout élément de brûleur sur les modèles à gaz pour corriger les vices de matériau ou de fabrication. Remplacement du moteur dû aux vices attribuables au matériau ou à la fabrication.	
GARANTIE LIMITÉE, DE LA TROISIÈME À LA DIXIÈME ANNÉE INCLUSIVEMENT À COMPTER DE LA DATE D'ACHAT	Pièces de rechange pour le tambour de la sècheuse s'il existe de la rouille par suite de vices de matériau ou de fabrication. Pièces de rechange pour le montage du cabinet/dessus de la sècheuse, si des signes de rouille apparaissent par suite de vices de matériau ou de fabrication.	

4/98

KITCHENAID CANADA DÉCLINE TOUTE RESPONSABILITÉ AU TITRE DE DOMMAGES SECONDAIRES OU INDIRECTS. Certaines provinces peuvent ne pas admettre l'exclusion ou la limitation de dommages secondaires ou indirects; par conséquent, l'exclusion ou la limitation mentionnée peut ne pas s'appliquer dans votre cas. Cette garantie vous confère des droits juridiques spécifiques; vous pouvez également bénéficier d'autres droits, variables d'une province à une autre.

Si vous avez besoin d'assistance ou de service, voir d'abord la section "Diagnostic" de ce manuel. Après avoir vérifié la section "Diagnostic", il est possible d'obtenir de l'aide supplémentaire en vérifiant la section "Demande d'assistance ou de service", ou en téléphonant à KitchenAid Canada à l'un des numéros indiqués à la page 21.

KitchenAid Canada
Mississauga, Ontario L5N 3A7