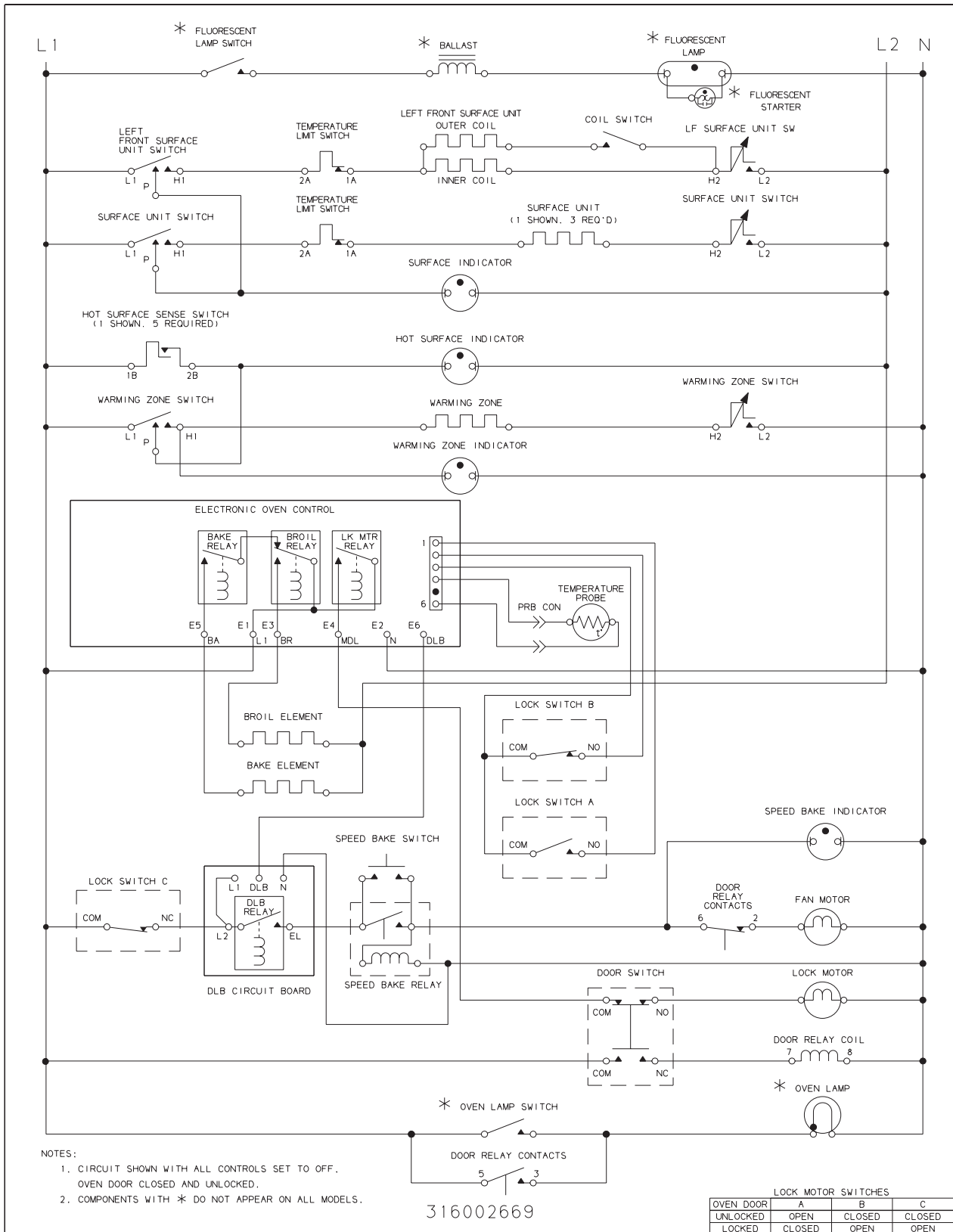


WIRING DIAGRAM



- NOTES:
1. CIRCUIT SHOWN WITH ALL CONTROLS SET TO OFF. OVEN DOOR CLOSED AND UNLOCKED.
 2. COMPONENTS WITH * DO NOT APPEAR ON ALL MODELS.

		LOCK MOTOR SWITCHES		
OVEN DOOR		A	B	C
UNLOCKED	OPEN	CLOSED	CLOSED	CLOSED
LOCKED	CLOSED	OPEN	OPEN	OPEN