



☎ 1-800-243-0000

24 HOURS A DAY, 7 DAYS A WEEK FOR LG CUSTOMER SERVICE

Owner's manual

Electric Dryer

DLEC855W

DLEC855R

Thank you for buying an LG Dryer.

Please read your manual carefully, as it provides instructions on safe installation, Use, and Maintenance.

Record the model and Serial Numbers, and retain the manual for future reference.

For more information, visit our website at <http://us.lge.com>

Model # _____

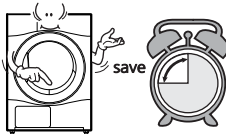
Serial # _____

Date of purchase _____

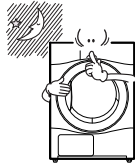
Features



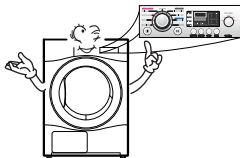
- **Ultra Big Capacity Drum**
The LG Dryer has a large capacity.



- **Reduced drying time**
Drying time is reduced by the use of an efficient air flow system and an optimized heater.



- **Innovative Noise Reduction**
The optimized design of the air flow system and the vibration reduction technology helps to reduce noise.



- **Ease of Use**
The electronic control has a large, easy to read LED display.

What are Sensor Dry and Manual Dry?

Your dryer provides sensor drying and manual drying programs.

Sensor Dry Dryer electronically senses laundry moisture level and automatically determines operation time based on the dryness of the load and the selected program. The control will change the estimated time remaining if it senses a large change in the time needed to complete the cycle. These large increases or decreases in the time display are normal, and do indicate a product malfunction.

Manual Dry Manual Dry allows you to set the desired dry time manually. Certain types of loads, such as large and/or bulky loads, may not dry properly using Sensor Dry. These loads should be dried using the Manual Dry feature to ensure complete drying.

Contents

Safety Instructions	3
Installation Instructions	6
Electrical Requirement	10
Appearance And Design	13
Operating Your Dryer	14
Additional Functions.....	17
Caring For Your Dryer	19
Additional Tips For Smart Use	22
Troubleshooting Guide	24
Technical Data	28
Warranty	29

Safety Instructions

READ ALL INSTRUCTIONS BEFORE USE

WARNING

For your safety, the information in this manual must be followed to minimize the risk of fire or explosion, electric shock, or to prevent property damage, personal injury, or loss of life.

Your Safety and the safety of others is very important.

We have provided many important safety messages in this manual and on your appliance. Always read and obey all safety messages.



This is the safety alert symbol.

This symbol alerts you to potential hazards that can kill or hurt you and others.

All safety messages will follow the safety alert symbol and either the word DANGER or WARNING.

These words mean:

 DANGER: You can be killed or seriously injured if you don't immediately follow instructions.

 WARNING: You can be killed or seriously injured if you don't follow instructions.

All safety messages will tell you what the potential hazard is, tell you how to reduce the chance of injury, and tell you what can happen if the instructions are not followed.

BASIC SAFETY PRECAUTIONS

WARNING

To reduce the risk of fire, electric shock, or injury to persons when using this appliance, follow basic precautions, including the following:

- Do not install a clothes dryer with flexible plastic venting materials. If flexible metal (foil type) duct is installed, it must be of a specific type identified by the appliance manufacturer as suitable for use with clothes dryers. Flexible venting materials are known to collapse, be easily crushed, and trap lint. These conditions will obstruct clothes dryer airflow and increase the risk of fire.
- Do not store or use gasoline or other flammable vapors and liquids in the vicinity of this appliance or any other appliances.
- Installation and service must be performed by a qualified installer, service agency, or the gas supplier.
- Install the clothes dryer according to the manufacturer's instructions and local codes.
- Save these instructions.

GROUNDING INSTRUCTIONS

This appliance must be grounded. In the event of malfunction or breakdown, grounding will reduce the risk of electric shock by providing a path of least resistance for electric current. This appliance must be equipped with a cord having an equipment-grounding conductor and a grounding plug. The plug must be plugged into an appropriate outlet that is properly installed and grounded in accordance with all local codes and ordinances.

Do not modify the plug provided with the appliance. If it will not fit the outlet, have a proper outlet installed by a qualified electrician.

This appliance must be connected to a grounded metal, permanent wiring system or an equipment-grounding conductor must be run with the circuit conductors and connected to the equipment-grounding terminal or lead on the appliance. Electrical shock can result if the dryer is not properly grounded.

Safety Instructions

BASIC SAFETY PRECAUTIONS

⚠ WARNING

To reduce the risk of fire, electric shock, or injury to persons when using this appliance, follow basic precautions, including the following:

- Read all instructions before using the dryer.
- Before use, the dryer must be properly installed as described in this manual.
- Do not place items exposed to cooking oils in your dryer. Items contaminated with cooking oils may contribute to a chemical reaction that could cause a load to catch fire.
- Do not dry articles that have been previously cleaned in, washed in, soaked in, or spotted with gasoline, dry-cleaning solvents, or other flammable or explosive substances as they give off vapors that could ignite or explode.
- Do not reach into the dryer if the drum or any other part is moving.
- Do not repair or replace any part of the dryer or attempt any servicing unless specifically recommended in this Use and Care Guide or in published user-repair instructions that you understand and have the skills to carry out.
- Do not tamper with controls.
- Before the dryer is removed from service or discarded, remove the door to the drying compartment.
- Do not allow children to play on or in the dryer. Close supervision of children is necessary when the dryer is used near children.
- Do not use fabric softeners or products to eliminate static unless recommended by the manufacturer of the fabric softener or product.
- Do not use heat to dry articles containing foam rubber or similarly textured rubber-like materials.
- Keep area around the exhaust opening and adjacent surrounding areas free from the accumulation of lint, dust, and dirt.
- The interior of the dryer and exhaust vent should be cleaned periodically by qualified service personnel.
- Do not install or store the dryer where it will be exposed to the weather.
- Always check the inside of the dryer for foreign objects.
- Clean lint screen before or after each load.

⚠ WARNING

Improper connection of the equipment-grounding conductor can result in a risk of electric shock. Check with a qualified electrician or service person if you are in doubt as to whether the appliance is properly grounded.

SAFETY INSTRUCTIONS FOR INSTALLATION

⚠ WARNING

To reduce the risk of fire, electric shock, or injury to persons when using this appliance, follow basic precautions, including the following:

- **Properly ground dryer to conform with all governing codes and ordinances.** Follow details in the installation instructions. Electrical shock can result if the dryer is not properly grounded.
- **Before use, the dryer must be properly installed as described in this manual.** Electrical shock can result if the dryer is not properly grounded.
- **Install and store the dryer where it will not be exposed to temperatures below freezing or exposed to the weather.**
- **All repairs and servicing must be performed by an authorized servicer unless specifically recommended in this Owner's Guide. Use only authorized factory parts.** Failure to follow this warning can cause serious injury, fire, electrical shock, or death.

Safety Instructions

SAFETY INSTRUCTIONS FOR INSTALLATION

- **To reduce the risk of electric shock, do not install the dryer in humid spaces.** Failure to follow this warning can cause serious injury, fire, electrical shock, or death.
- **Connect to a properly rated, protected, and sized power circuit to avoid electrical overload.** Improper power circuit can melt, creating electrical shock and/or fire hazard.
- **Remove all packing items and dispose of all shipping materials properly.** Failure to do so can result in death, explosion, fire, or burns.
- **Place dryer at least 18 in. above the floor for a garage or basement installation.** Failure to do so can result in death, explosion, fire, or burns.
- **Keep all packaging from children.** Packaging material can be dangerous for children. There is a risk of suffocation.
- **Do not install nearby heat item.** Such as stove, cooking oven. Failure to do so can cause damage, smoke, and fire.
- **Do not place candle and cigarettes on top of the product.** Failure to do so can cause damage, smoke, and fire.
- **Remove all protective vinyl film from the product.** Failure to do so can cause damage, smoke, and fire.

READ ALL INSTRUCTIONS BEFORE USE

⚠ WARNING

To reduce the risk of fire, electric shock, or injury to persons when using this appliance, follow basic precautions, including the following:

SAFETY INSTRUCTIONS FOR INSTALLATION

- Do not, under any circumstances, cut or remove the ground prong from the power cord. To prevent personal injury or damage to the dryer, the electrical power cord must be plugged into a properly grounded outlet.
- For personal safety, this dryer must be properly grounded. Failure to do so can result in electrical shock or injury.
- Refer to the installation instructions in this manual for specific electrical requirements for your model. Failure to follow these instructions can create an electrical shock hazard and/or a fire hazard.
- This dryer must be plugged into a properly grounded outlet. Electrical shock can result if the dryer is not properly grounded. Have the wall outlet and circuit checked by a qualified electrician to make sure the outlet is properly grounded. Failure to follow these instructions can create an electrical shock hazard and/or a fire hazard.
- The dryer should always be plugged into its own individual electrical outlet which has a voltage rating that matches the rating plate. This provides the best performance and also prevents overloading house wiring circuits which could cause a fire hazard from overheated wires.
- Never unplug your dryer by pulling on the power cord. Always grip plug firmly and pull straight out from the outlet. The power cord can be damaged, resulting in a risk of fire and electrical shock.
- Repair or replace immediately all power cords that have become frayed or otherwise damaged. Do not use a cord that shows cracks or abrasion damage along its length or at either end. The power cord can melt, creating electrical shock and/or fire hazard.
- When installing or moving the dryer, be careful not to pinch, crush, or damage the power cord. This will prevent injury and prevent damage to the dryer from fire and electrical shock.

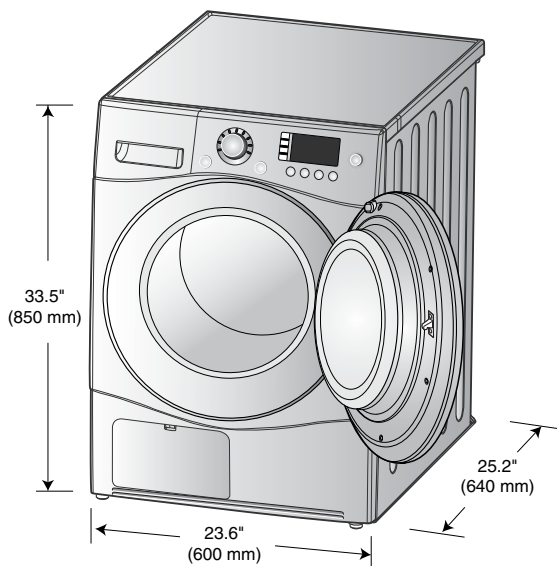
SAVE THESE INSTRUCTIONS

Installation Instructions

The following instructions will help guide you through the initial steps of setting up your dryer for use. Please note that every section of this manual provides important information regarding the preparation and use of your dryer, and it is important that you review this entire manual before proceeding with any installation or use. More detailed instructions concerning electrical connections, gas connections, and exhaust requirements are provided in other parts of this manual.

STEP 1 Positioning the Dryer.

Choose a location with a solid floor for your dryer. Place the dryer at least eighteen inches above the floor for a garage installation. After placing the dryer in the desired location, make sure that it has the required clearances shown.



Note

Leveling legs should be secured.

All four legs should be on a solid, even floor and properly leveled as shown in this manual.

If dryer is not level, laundry may not be able to accurately detect the moisture level in the clothes.

When leveling, please be cautious to avoid injury.

Installation Instructions

STEP 2 Electrical Connections

Following are several warnings and instructions concerning making the electrical connection for electric dryers. More detailed information concerning the electrical connection is provided at the manual section entitled Electrical Requirements For Electric Dryer and it is important that you thoroughly review that section, and the remainder of this manual, before taking any steps to install or use this dryer.

1. Use only a new U.L. listed No. 10 (copper wire only) conductor power supply cord kit rated 240 Volts (minimum) 30 Amperes and labeled as suitable for use in a clothes dryer.
2. 4-wire cord is required for manufactured (mobile) home installations and use and where local codes do not allow grounding of this appliance through neutral. As well as all new construction after January 1, 1996.
3. For additional instruction on connecting the dryer to an electrical power source, please refer to this manual's section on Electrical Requirements for Electric Dryer.

⚠ WARNING

- Use a new UL approved 30 amp power supply cord or 10 gauge solid copper wire.
- Use a UL approved strain relief.
- Disconnect power before making electrical connections.
- Connect neutral wire (white or center) to center terminal.
- Ground wire (green or bare) must be connected to green ground connector.
- Securely tighten all electrical connections
- See installation instructions for complete instructions.
- A 4-wire connection is required for all mobile and manufactured home installations, as well as all new construction after January 1, 1996.
- Failure to do so can result in fire or electrical shock.

STEP 3 Preparation of the Dryer

Prior to the first use of this appliance, use all-purpose cleaning products or a solution of detergent and water, with a damp cloth to remove from the inside of the dryer drum/drying compartment any dust or dirt that may have accumulated in the inside of the dryer. Plug in your dryer after reviewing the following parts on your dryer's Electrical Requirements.

STEP 4 Confirming Heat Source Operation

Close the door to the dryer drum/drying compartment and, after completing all steps in this manual for proper installation of this dryer, start the dryer on a heat setting, as described more fully in the operating instructions that accompany the dryer.

STEP 5 Additional Instructions for Installation of Your Dryer in a Manufactured or Mobile Home

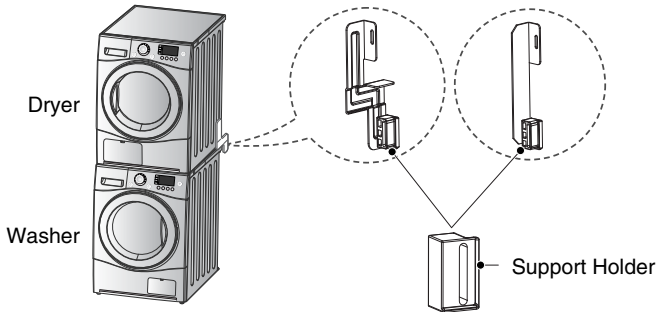
The following instructions are applicable to installations of the dryer in a manufactured or mobile home. Any installation in a manufactured or mobile home must comply with the Manufactured Home Construction and Safety Standards Title 24 CFR, Part 32-80 or Standard CAN/CSA0Z240 MH and local codes and ordinances. If you are uncertain whether your proposed installation will comply with these standards, please contact a service and installation professional for assistance.

- 1) The electrical connection for an electric dryer must be a 4-wire connection. More detailed information concerning the electrical connection is provided at the manual section entitled Electrical Requirements for Electric Dryer

Installation Instructions

Stacking Kit

In order to stack this dryer an LG stacking kit is required.

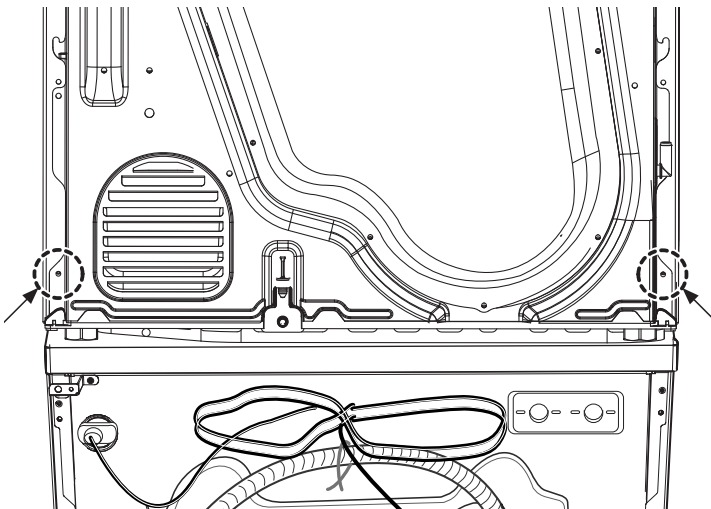


This dryer may only be stacked on top of an LG washer. DO NOT attempt to stack this dryer on any other washer, as damage, injury or property damage could result. To stack this dryer, the support holder included with the stacking kit must be used.

Shape	Washer Top plate size		Support Holder
	23.6 inch (600mm)	21.7 inch (550mm)	

Installation Procedure

1. Place the LG dryer on the LG Washing machine.
2. Remove two screws at the bottom of the rear cover on each side as shown below.



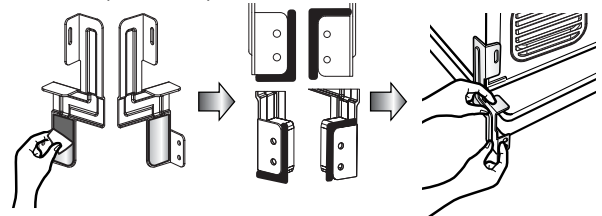
WARNING

- Incorrect installation can cause serious accidents.
- The weight of the dryer and the height of installation makes the stacking procedure too risky for one person. This procedure should be performed by 2 or more experienced service personnel.
- The dryer is not suitable for a built-in installation. Please do not install as a built-in.
- Do not operate the dryer is disassembled.

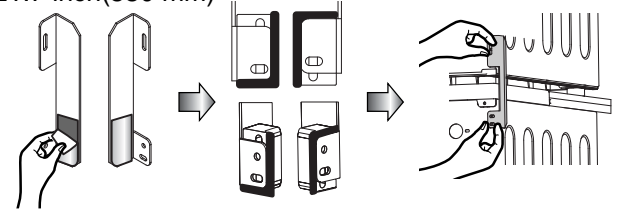
3. Assemble the stacking kit as following.

- Peel the protective film from the double-sided tape on the bracket for your size washer.
- Attaching the support holder.
- Align the stacking kit holes and the rear cover holes and then firmly attach the bracket to the side of the washer in that position.

23.6 inch(600 mm)

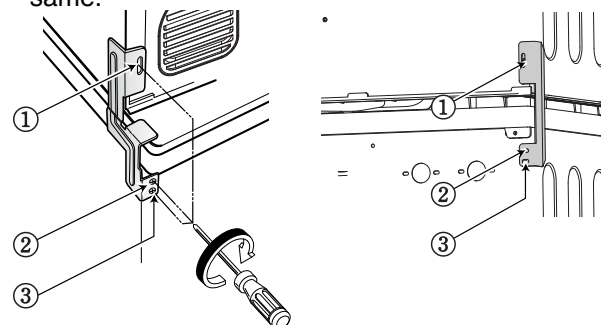


21.7 inch(550 mm)



4. Assemble a stacking kit as following.

- Screw 2 screws which were removed earlier to assemble dryer and stacking kit. ①
- Use accessory screws [1.2inch (30mm)] to assemble washer rear cover and stacking kit. ②,③
- The procedure for the opposite side will be the same.



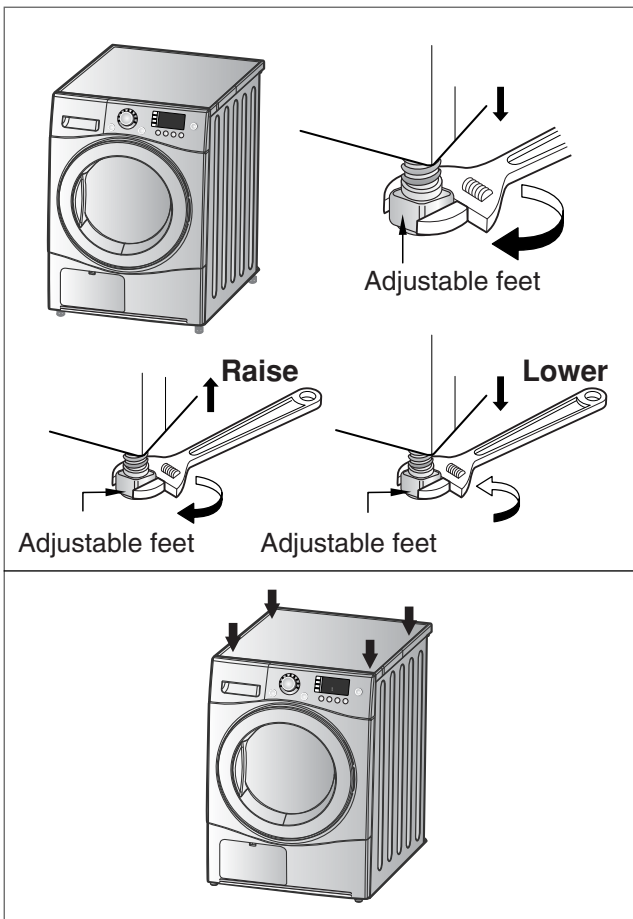
Installation Instructions

● Level the dryer



1. Level the dryer is to prevent undesirable noise and vibration.

Locate your dryer on a solid, level floor. Make sure it is not subjected to splashing water or freezing temperatures. Do not store flammable materials near the dryer.



2. If the dryer is not properly level, adjust the front leveling legs up and down as necessary.

Turn the legs clockwise to raise the dryer and counterclockwise to lower the dryer. Check the dryer diagonally to make sure it does not rock either way. Readjust the legs if necessary.

* Diagonal Check

When pushing down corners of the dryer, the machine should not move at all.

(Check in either direction.)

If machine rocks when pushing the machine top plate diagonally, adjust the feet again.

Electrical Requirement

CONNECTING ELECTRIC DRYERS

⚠ WARNING

To help prevent fire, electric shock, serious injury, or death, the wiring and grounding must conform to the latest edition of the National Electrical Code, ANSI/NFPA 70 and all applicable local regulations. Please contact a qualified electrician to check your home's wiring and fuses to ensure that your home has adequate electrical power to operate the dryer.

⚠ WARNING

To reduce the risk of fire, electric shock, or injury to persons when using this appliance, follow basic precautions, including the following:

- **This dryer must be connected to a grounded metal, permanent wiring system, or an equipment-grounding conductor must be run with the circuit conductors and connected to the equipment-grounding terminal or lead on the dryer.** Failure to do so can result in fire, explosion, or death.
- **The dryer has its own terminal block that must be connected to a separate 240 VAC, 60-Hertz, single-phase circuit, fused at 30 amperes (the circuit must be fused on both sides of the line.) ELECTRICAL SERVICE FOR THE DRYER SHOULD BE OF THE MAXIMUM RATE VOLTAGE LISTED ON THE NAMEPLATE. DO NOT CONNECT DRYER TO 110-, 115-, OR 120-VOLT CIRCUIT.** Heating elements are available for field installation in dryers which are to be connected to an electrical service of a different voltage than that listed on the rating plate. Failure to follow these instructions can result in fire, explosion, or death.
- **If branch circuit to dryer is 15 ft. (4.5 m) or less in length, use UL (Underwriters Laboratories) listed No.-10 AWG wire (copper wire only), or as required by local codes. If over 15 ft. (4.50 m), use UL-listed No.-8 AWG wire (copper wire only), or as required by local codes. Allow sufficient slack in wiring so dryer can be moved from its normal location when necessary.** Failure to do so can result in fire, explosion, or death.

- **The power cord (pigtail) connection between wall receptacle and dryer terminal block IS NOT supplied with dryer. Type of pigtail and gauge of wire must conform to local codes and with instructions on the following pages.** Failure to follow these instructions can result in fire, explosion, or death.
- **A 4-wire connection is required for all mobile and manufactured home installations, as well as all new construction after January 1, 1996. A 4-wire connection must be used where local codes do not permit grounding through the neutral wire.** Failure to do so can result in fire, explosion, or death.
- Do not modify the plug and internal wire provided with the dryer.
- If it does not fit the outlet, a proper outlet will need to be installed by a qualified electrician.

Special Electrical Requirements for Mobile or Manufactured Homes

⚠ WARNING

To reduce the risk of fire, electric shock, or injury to persons when using this appliance, follow basic precautions, including the following:

- Any installation in a manufactured or mobile home must comply with the Manufactured Home Construction and Safety Standards Title 24 CFR, Part 32-80 or Standard CAN/CSA0Z240 MH and local codes and ordinances.
- **A 4-wire connection is required for all mobile and manufactured home installations, as well as all new construction after January 1, 1996.** Failure to do so can result in fire, explosion, or death.

Electrical Requirement

Review the following options to determine the appropriate electrical connection for your home:



4-wire receptacle (NEMA type 14-30R)

Use the instructions in this section if your home has a 4-wire receptacle (NEMA type 14-30R) and you will be using a UL listed, 120/240 volt minimum, 30 amp, dryer power supply cord.



3-wire receptacle (NEMA type 10-30R)

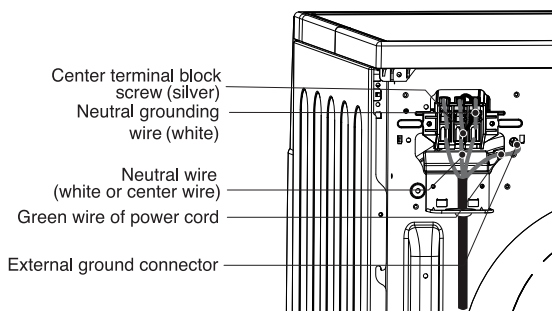
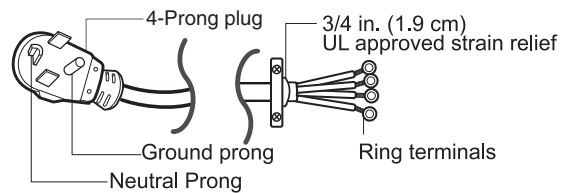
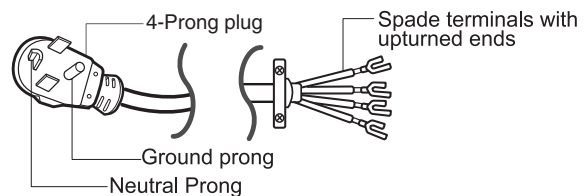
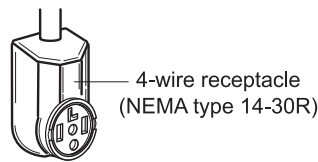
Use the instructions in this section if your home has a 3-wire receptacle (NEMA type 10-30R) and you will be using a UL listed, 120/240 volt minimum, 30 amp, dryer power supply cord.

Note

- Be sure the screws of the terminal block are tightened firmly. Failure to properly tighten the screws can result in fire, or property damage.
- If you are not sure of the power supply wires or cannot tell which are hot and neutral, consult a qualified electrician.
- If you are not sure if your electric outlet is wired properly, consult a qualified electrician. Connecting the power supply incorrectly can result in product damage, fire, injury or death.
- Direct wiring is not permitted by code in most locations. It is the customer's responsibility to ensure that the installation meets all local codes.

Option 1: 4-wire connection with a Power supply cord.

- If your local codes or ordinances do not allow the use of a 3 wire connection, or you are installing your dryer in a mobile home, you must use a 4-wire connection.



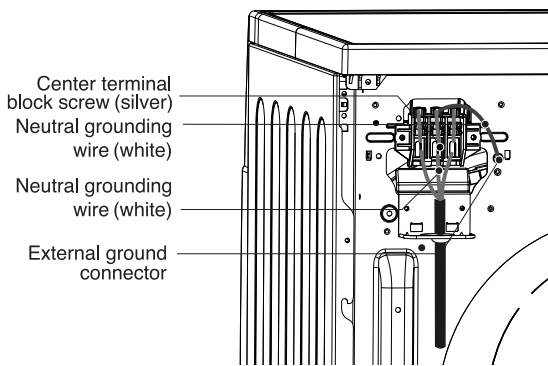
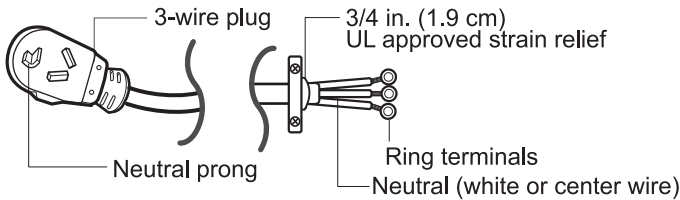
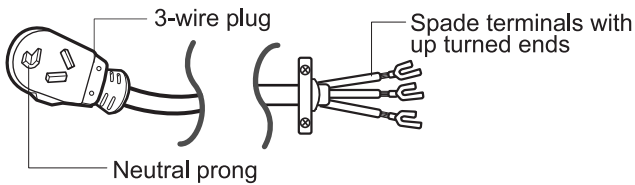
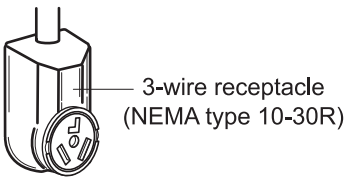
1. Connect neutral wire (white) of power cord to center terminal block screw.
2. Connect red and black wire to the left and right terminal block screws.
3. Connect ground wire (green) of power cord to external ground screw and move neutral ground wire of appliance and connect it to center screw.
4. Make sure that the strain relief screw is tightened and be sure that all terminal block nuts are on tight and power cord is in right position.

Electrical Requirement

Option 2 : 3-Wire Connection with a Power Supply Cord

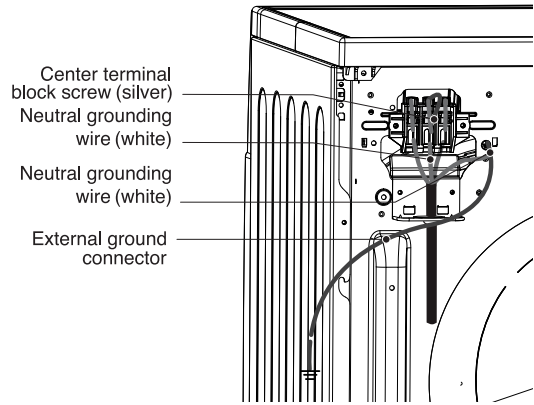
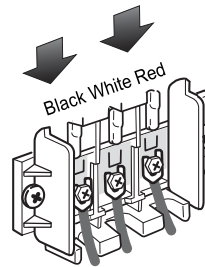
If your local codes or ordinances permit the connection of a frame-grounding conductor to the neutral wire, use these instructions. If your local codes or ordinances do not allow the connection of a frame-grounding conductor to the neutral wire, use the instructions under

Section 3: Optional 3-wire connection.



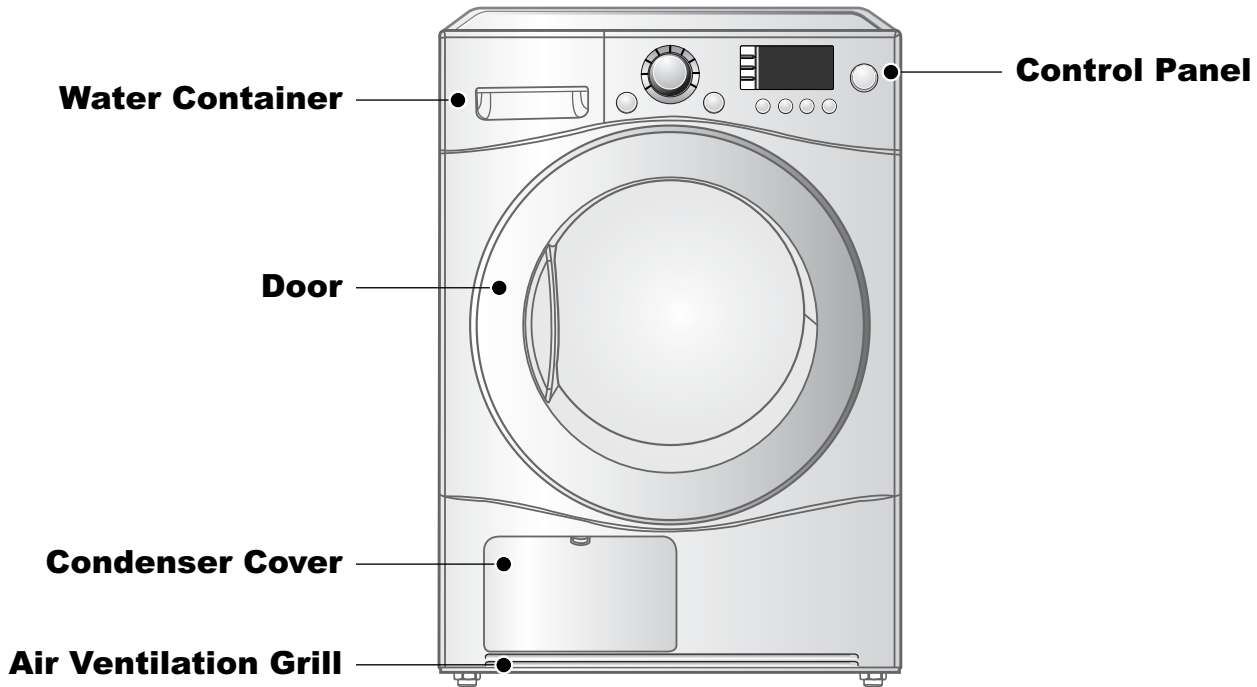
Option 3 : Optional 3-wire connection.

- If your local codes or ordinances do not allow the connection of a frame-grounding conductor to the neutral wire, use the instructions under this section.



1. Connect neutral wire (white) of power cord to center terminal block screw.
2. Connect ground wire of appliance and neutral wire of power cord to center terminal block screw.
3. Connect red and black wire to the left and right terminal block screws.
4. Make sure that the strain relief screw is tightened and be sure that all terminal block nuts are on tight and power cord is in right position.

Appearance And Design

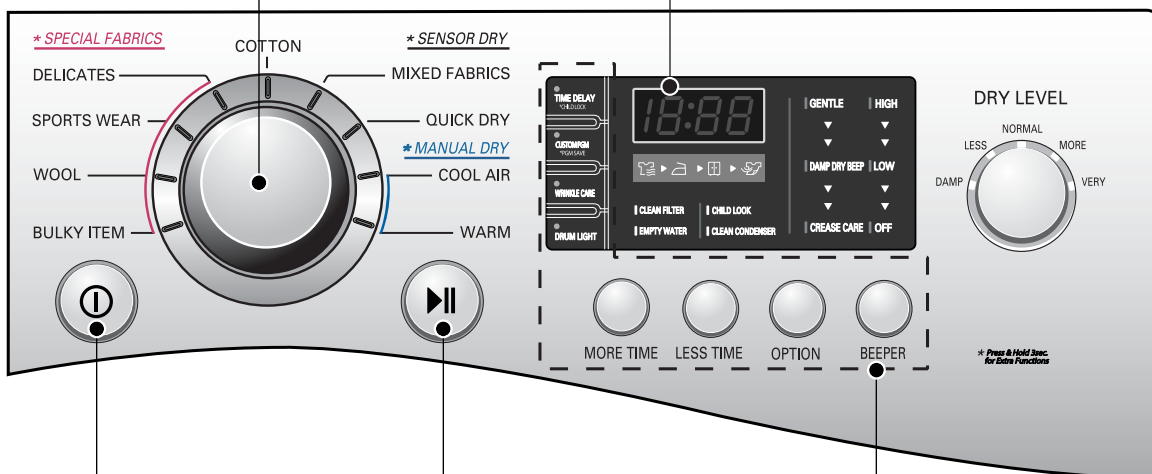


Control Panel

Program Selector

LED Display

- Time Display
- Indicator Lamps



Power ON/OFF Button

START/PAUSE

Additional Function Buttons

- MORE TIME
- LESS TIME
- OPTION
- BEEPER
- TIME DELAY
- CUSTOM PGM
- WRINKLE CARE
- DRUM LIGHT

Operating Your Dryer

Cycle Selection Table

Electronic Sensor Dry Cycles			Drying Level
COTTON	Quilts, small comforters and blankets	For thick and quilted fabrics	VERY
	Terry towels, tea towels, towels, bed linen	For thick and quilted fabrics which do not need to be ironed	MORE
	Bath towels, tea towels, underwear, cotton socks	For fabrics which do not need to be ironed	NORMAL
	Sheets, pillowcase, towels	For fabrics which do not need to be ironed	LESS
	Bed linen, table linen, towels, T-shirts, polo shirts, and work clothes	For fabrics which do need to be ironed	DAMP
MIXED FABRICS	Bed linen, table linen, tracksuits, parka, blankets	For thick and quilted fabrics which do not need to be ironed	MORE
	Shirts, blouses	For fabrics which do not need to be ironed	NORMAL
	Trousers, dresses, skirts, blouses	For fabrics which do need to be ironed	DAMP
QUICK DRY	A kind of linen and towel except for the special fabrics	For the small loads of qualified fabrics with short drying times	-
Special Fabrics Cycles			
DELICATES	Silk, Women's thin clothes, lingerie	For fabrics which are heat-sensitive like synthetic fabrics	-
SPORTS WEAR	Athletic uniform, training wear	For polyester material	-
WOOL	Wool	For wool fabrics	-
BULKY ITEM	Bed clothes, sheets	For bulky items	-
Manual Dry			
COOL AIR	All fabrics that need to be fluffed without heat		-
WARM	Bath towels, bath robes, dishclothes, quilted fabrics made of acrylic	Small clothes and pre-dried laundry normal fabrics using hot temperature	-

⚠ CAUTION

If the load is less than 2.2lbs (1kg), please use WARM course in MANUAL DRY course
Your wool should be used in WOOL program and heat-sensitive fabrics including silk, underwears, lingerie should be used in DELICATES course.

And also please comply with the recommended laundry load when you use the special fabric course. (Refer to page 22)

Otherwise, these clothes may not dry properly.

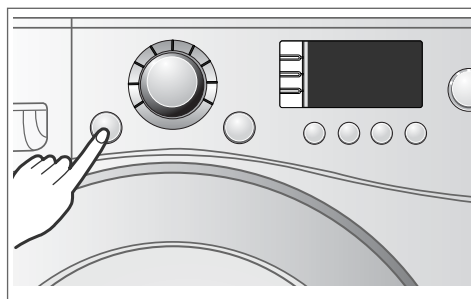
Operating Your Dryer

BEFORE YOU USE YOUR DRYER

1. When unpacking your dryer, make sure there is no visible damage to the machine.
2. Follow the installation instructions and use a level to ensure proper installation.
3. Check the water reservoir, condenser, door, gasket and drum for signs of damage.
4. Run the dryer for a few minutes to make sure it is heating properly.

1. Turn power on.

First, press the Power button. The indicator light above the button will become illuminated, indicating that the machine is ready set to run.

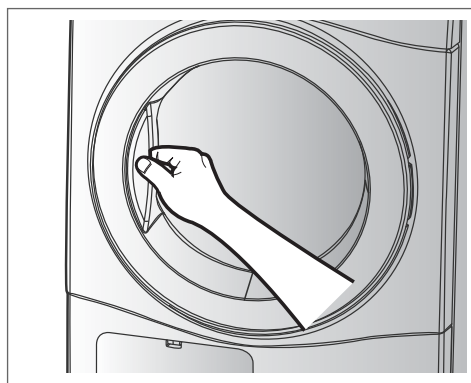


Turn the dryer on.

2. Open the door.

3. Check the lint filter, water container, and condenser.

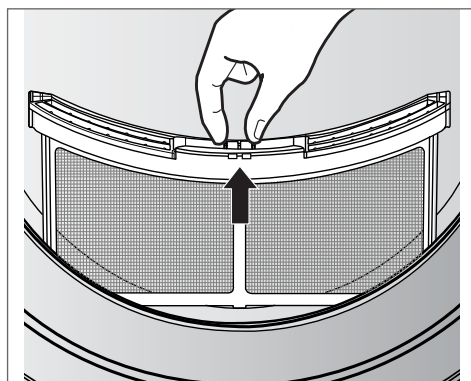
The lint filter near the door, should be emptied before drying operation. Open and check if lint filter is cleaned. If not, clean it referring to page 19. Water container and condenser are also checked to be emptied and cleaned for better drying result.



Open the door.

4. Place laundry into the drum after sorting.

The clothes should be sorted by fabric type and dryness level and all the strings and belts of clothes should be secured before being put into the drum. Push the laundry all the way back to keep it away from the door seal. If not, the door seal and clothes may be damaged.



Check the lint filter.

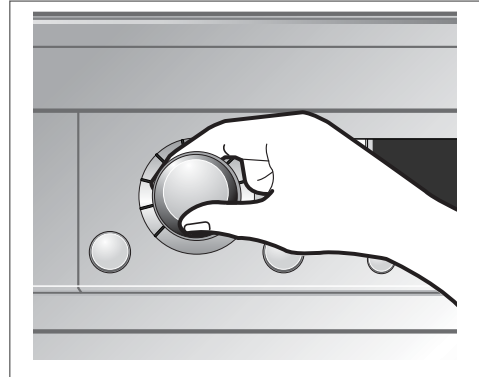
Operating Your Dryer

5. Close the Door.

Before you close the door, make sure fabrics are properly loaded and not caught in the door opening.

6. Select the Drying Cycle you want.

You can choose a cycle by turning the program control knob until the required program reaches its indicator. If you press START/PAUSE button without choosing any cycle, the dryer will proceed with the COTTON program. [Please refer to following Cycle Selection table (page 14) for the detailed information]



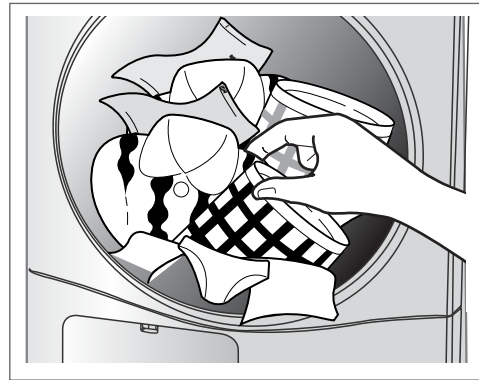
Select the desired cycle.

7. Press the Start button.

You can hear the drum turning.

8. After operation is completed, open the door and remove the laundry.

Be careful! Drum inside could be still hot. (Operation time varies depending on your cycle selection or options.)



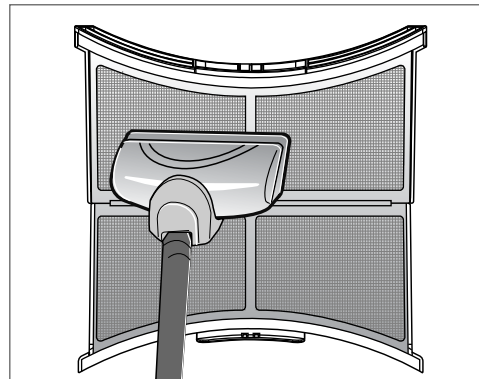
Take out the laundry.

9. Clean the lint filters and empty water container.

The lint filter should be cleaned after each load.

10. Turn off the Dryer.

Press the power button.

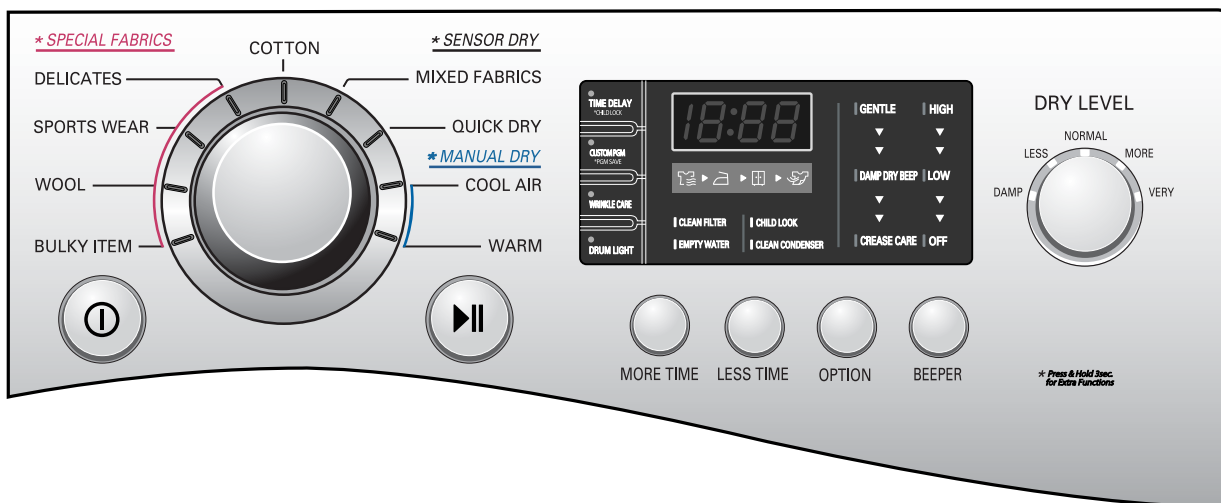


Clean the door lint filter.

⚠ CAUTION

- Be careful the filter is not turn or damaged when using a vacuum cleaner. If there is a little residue buildup on filter, you can scrub lint screen with the brush to remove.
- If you want to open the door while dryer is operating, please press the START/PAUSE button first, wait until drum completely stops and then open the door.

Additional Functions



TIME DELAY

The TIME DELAY feature allows you to have the dryer run at a time that is more convenient, for example when electricity rates are cheaper. The cycle can be delayed from 3 hours up to a maximum of 19 hours.

1. Load the dryer and close the door.
2. Press the POWER button.
3. Select the desired cycle and options.
4. Press the TIME DELAY button until the desired delay time is displayed.
5. Press the START/PAUSE button.

WRINKLE CARE

Selecting this option will tumble the load periodically for a few seconds without heat. This will continue for up to 3 hours after the selected cycle, or until the door is opened. This prevents wrinkling of unremoved dry items until they can be removed.

Note

If the door is opened during the drying portion of a cycle before WRINKLE CARE has started, the cycle will not be cancelled and WRINKLE CARE will begin as soon as the normal drying portion of the cycle is completed.

CUSTOM PROGRAM

If you have a special combination of settings that you use frequently, you can save these settings as a CUSTOM PROGRAM.

* To Save a CUSTOM PROGRAM

1. Turn on the dryer.
2. Select a cycle.
3. Use the cycle modifier buttons to adjust the settings for that cycle.
4. Set any other desired cycle options.
5. Press and hold the CUSTOM PROGRAM button for 3 seconds. You will hear two beeps to confirm the settings have been stored.

To Recall a CUSTOM PROGRAM

1. Press and release the CUSTOM PROGRAM button. The stored settings will be displayed.
2. Press and release the Cycle Selector Knob to start the cycle. The dryer will start automatically.

Note

You can only save one CUSTOM PROGRAM program at a time. If you press and hold the CUSTOM PROGRAM button for 3 seconds, you will overwrite any previously stored CUSTOM PROGRAM settings.

Once CUSTOM PROGRAM has been recalled, any of the memorized modifiers or options can be adjusted. However, if the Cycle Selector Knob is rotated, CUSTOM PROGRAM will be cancelled.

Additional Functions

CHILD LOCK

Use this option to prevent cycle settings from being changed while the dryer is operating. Press and hold the TIME DELAY button for 3 seconds to activate or deactivate the CHILD LOCK function.

The lock icon will be shown in the display, and all controls are disabled.

DRUM LIGHT

Press the DRUM LIGHT button to turn on the drum light during dryer operation. This will allow you to more easily observe the load. The drum light will come on any time the door is opened.

MORE TIME/LESS TIME

The MORE TIME and LESS TIME buttons can be used to increase or decrease the dry time when MANUAL dry cycles are selected. These buttons are disabled once the cycle is started.

Note

These buttons are available only with MANUAL DRY, before you push START/PAUSE button.

OPTIONS

GENTLE

- These are functioning to shorten or lengthen the cycle time by increasing or decreasing temperature.
- This option only is used with the COTTON and MIXED FABRICS cycles.

DAMP DRY BEEP

- This option causes the control to beep once the clothes have reached a "damp dry" level. This can be used to alert you to remove articles that you don't want to over dry or that you want to have damp for easier ironing.
- This option only is used with the COTTON and MIXED FABRICS cycles.

CREASE CARE

- This is a function to reduce wrinkles.
- This is a function to set up automatically when you only select the MIXED FABRICS cycle, but cancellation is impossible.

BEEPER

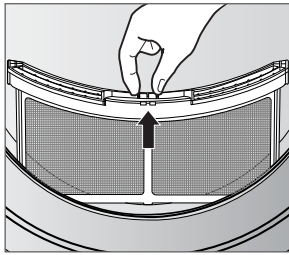
Press the BEEPER button to adjust the volume of the signals from high to off.

Caring For Your Dryer

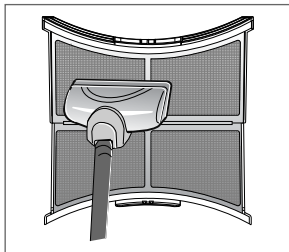
Clean lint filter

To maintain proper air flow and keep your dryer operating a peak efficiency, it is important to empty the lint filter between every load. If the CLEAN FILTER light comes on during a cycle and the beeper sounds, pause the dryer and empty the filter immediately.

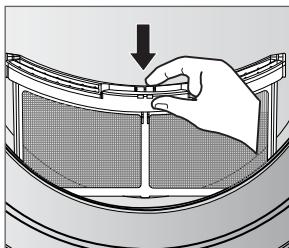
1. Open the door.
2. Pull the filter out.



3. Open the filter and use your fingers to roll the lint off the screen surfaces. If the lint is difficult to remove or the filter material is showing signs of clogging, follow the cleaning instructions below.



4. Snap the filter closed and replace it in the dryer.
 - Push the filter all the way down to avoid interference with the door



5. Close the door.

Wash the lint screen in warm, soapy, water. Dry thoroughly and replace.

Clean lint filter during a cycle

If the CLEAN FILTER light flashes and the alarm sounds during operation, clean the filter promptly.

1. Press the POWER button to stop the dryer. The press it again to turn the dryer on.
2. Turn the CYCLE SELECTOR to select the COOL AIR cycle.
3. Press the START/PAUSE button to start the dryer.
4. Let the COOL AIR cycle run for 5 minutes to cool the dryer, then open the door and clean the lint filter.

Note

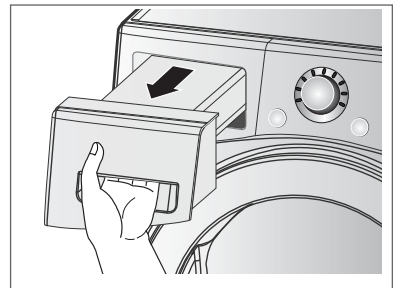
If the dryer is stopped in the middle of a cycle, the lint filter may be very hot. Failure to follow these cool down instructions could result in injury.

Empty water container

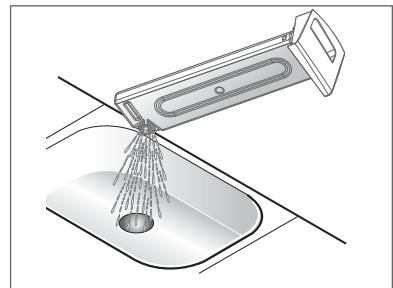
If your dryer is not connected to a household drain, then the water reservoir will capture the water from the drying process. This should be emptied every load. Failure to do so may result in poor drying performance.

If the container becomes full during a cycle, the EMPTY WATER light and alarm will be activated. In this case, the water reservoir should be emptied immediately, but in no case should it continue to be used for more than 1 hour.

1. Using the handle on the front of the drawer, pull out the reservoir.



2. Using the handle on the front of the drawer, pull out the reservoir.



3. Drain the water into a sink.

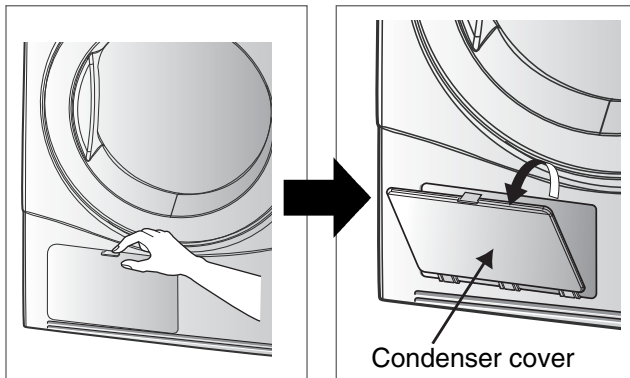
4. Press the START/PAUSE button to resume the cycle.

Caring For Your Dryer

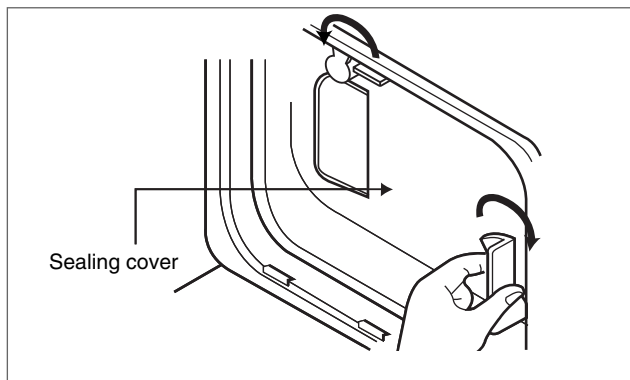
Condenser

The condenser is a very important part of your dryer. This is where the moisture is removed from the air so there is no need for an outside exhaust. If the condenser is not properly maintained, it will greatly increase energy consumption and drying time. The condenser should be cleaned 3 or 4 times a year, or anytime the CLEAN CONDENSER light blinks.

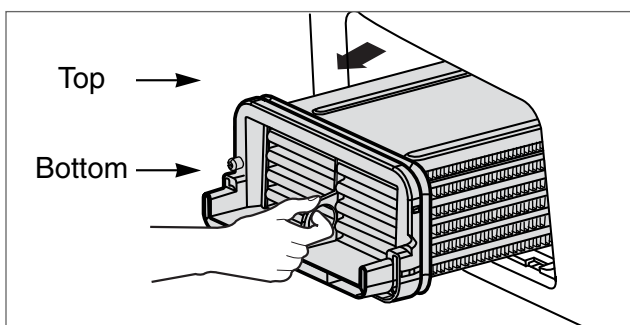
1. Push the tap and open the condenser cover.



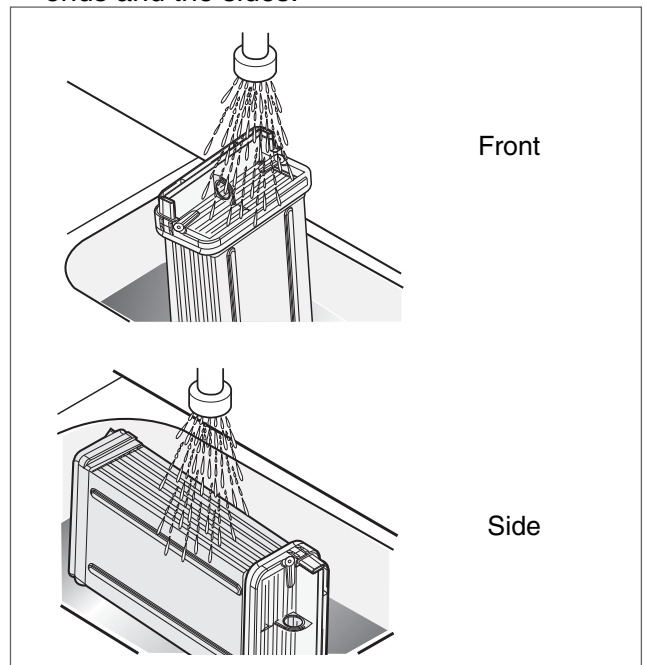
2. Unlock the inner plate by rotating the locking levers on either side of the plate. Then slide the plate out of the opening.



3. Carefully slide the condenser straight out of the housing using the finger ring at the center. Use care when handling the condenser to prevent damage that could reduce its efficiency.



4. Thoroughly clean the condenser by running tap water through it from both the ends and the sides.



5. Slide the clean condenser into the housing. Make sure it is oriented as shown in the drawing in step 3.
6. Insert the inner plate into the opening in front of the condenser, then rotate the locking tabs to lock it in place. Then close the front cover.

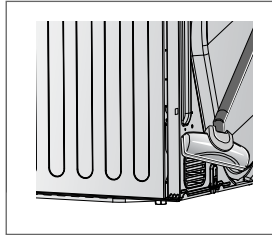
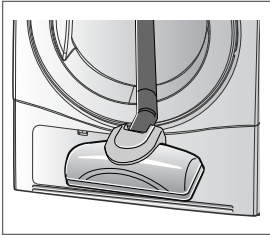
⚠ CAUTION

- NEVER operate the dryer without the condenser in place.
- Do not operate the dryer with a dirty or clogged condenser. Doing so will increase energy consumption and drying times.
- Handle the condenser with care. Do not use sharp or hard objects to clean the condenser as this could damage the condenser.
- Do not operate the dryer with a damaged condenser. Doing so could result in leaking which may result in property damage.

Caring For Your Dryer

Ventilation Grille and Cool Air Inlet Grille

Use a vacuum cleaner to clean the front ventilation grill and the cool air inlet in the back. Failure to remove any lint or dirt buildup will reduce air flow and increase energy consumption and drying times.



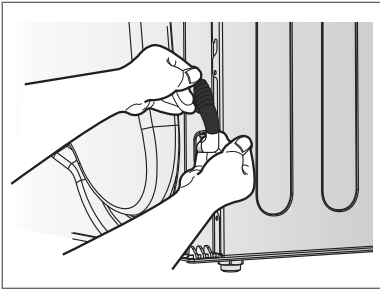
Note

The warm air is exhausted through the ventilation grill.

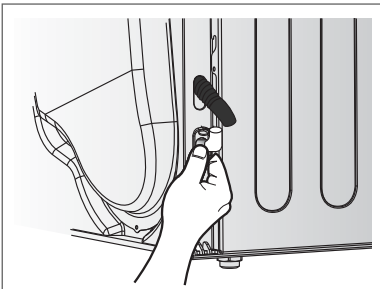
Condensed Water Drain

Condensed water is pumped to the reservoir which must be emptied every load. If a household drain is available, this water can be pumped down the drain so the reservoir is not used.

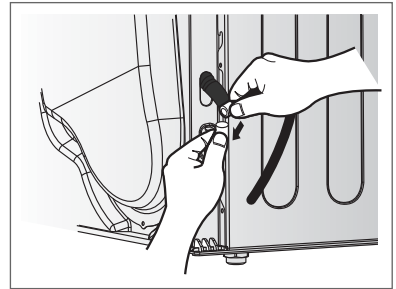
1. Slide the drain connection out the opening located on the back of the dryer on the right side as you face the rear of the dryer.



2. Disconnect the hose from that goes up to the reservoir.

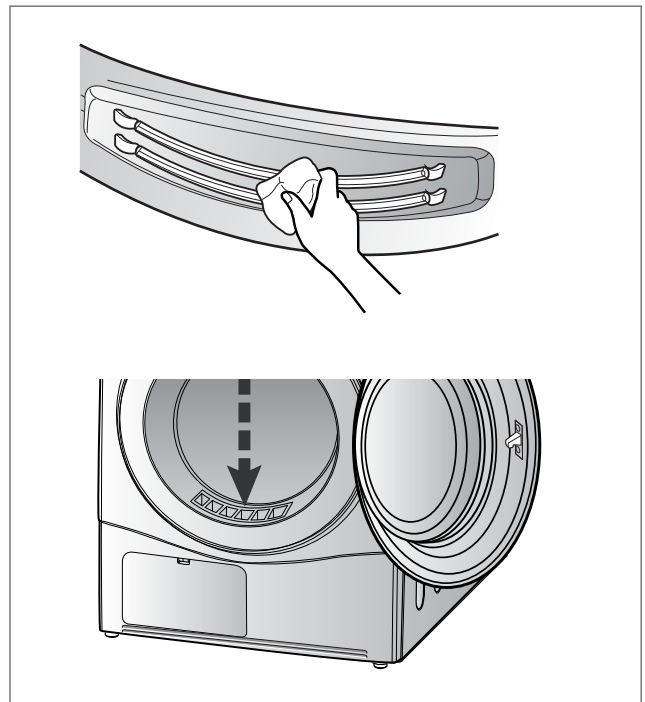


3. Connect the external drain hose included with the dryer. Route this hose to a permanent drain and secure the hose so it can not come loose.



Moisture Sensor

This sensor is used by the control to sense the moisture remaining in the clothes. If the sensor becomes dirty or coated the control will not be able to sense the moisture and the dryer will shut off before the clothes are dry. Clean the sensor bars as shown below to maintain optimum performance of the Sensor Dry cycles.



Additional Tips For Smart Use

Drying Guide

Woolen Article

Dry woolens in wool cycle. Be sure to follow fabric care label symbols. Wool is not completely dried from the program so don't repeat drying. Pull woolens to their original shape and dry them flat.

Woven and loopknit materials

Some woven and loopknit materials may shrink, depending on quality.

Permanent Press and Synthetics

Do not overload your dryer. Take out permanent press items as soon as the dryer stops to reduce wrinkles.

Baby clothes and night gowns

Always check the manufacturer's instructions.

Rubber and Plastics

Do not dry any items made from or containing rubber or plastics such as:

- a) Aprons, bibs and chair covers
- b) Curtains and table clothes
- c) Bathmats















Fiber glass

Do not dry fiberglass articles in your dryer. Glass particles left in the dryer could be picked up by your clothes the next time you use the dryer and irritate your skin.

Fabric Care Labels

Clothes have their own wash care labels so drying according to wash care labels is recommended. Not only that, the laundry must be sorted according to size and fabric type. Do not overload in order to save energy, time, and best dry performance.

Below are fabric care labels.

Symbols	Instructions
	Dry
	Tumble dry
	Permanent Press / Wrinkle resistant
	Gentle / Delicates
	Do not tumble dry
	Do not dry
	High heating
	Medium heating
	Low heating
	No heat / air
	Line Dry / hang to dry
	Drip dry
	Dry flat
	In the shade

Additional Tips For Smart Use

Spare Parts

Spare parts in are covered under the terms of warranty. Components covered by warranty are provided free of charge. If coverage is expired, spare parts must be purchased from an authorized service center.

Disposal of the dryer

It is required by law for you to dispose the dryer safely to keep your children away from the possible injury.

The door and lid and other protruded items must be taken away and power cord must be cut off to avoid future use. After that, the dryer is to be disposed safely.

Service contact

If there is something wrong with your dryer, use the troubleshooting table.

In case that you can't find the same trouble and you can not handle by yourself, please contact an authorized service center or call 800-243-0000.

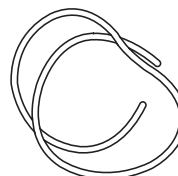
A service person will ask you some questions like followings:

1. Your name, address, and ZIP code.
2. Your phone number.
3. Description of the problem.
4. The model number and serial number of your dryer.
5. The date of purchase.

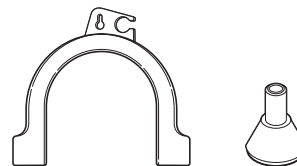
Accessory parts

Your dryer comes with accessories such as

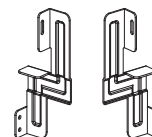
1. Condensing drain hose



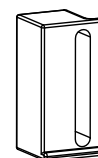
2. Hose holder



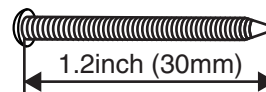
3. Stacking kit (2EA)



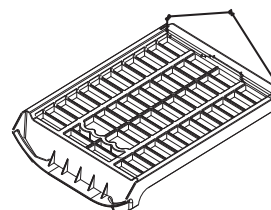
4. Support Holder (2EA)



5. Screws (4EA)



Dryer Rack



Troubleshooting Guide

Troubleshooting Tips

Save time and money! Review the charts on the following pages first and you may not need to call for service.

1. Problem: My dryer won't start

Question	What to Do
<ul style="list-style-type: none">• Is the dryer plugged in?	Confirm that the dryer's plug is securely and completely pushed into the power outlet
<ul style="list-style-type: none">• Is the fuse blown, or is the circuit breaker tripped?	Check your home's or laundry room's fuse box/circuit breaker box and replace the fuse or reset the circuit breaker.

2. Problem: My dryer doesn't heat

Question	What to Do
<ul style="list-style-type: none">• Is the fuse blown, or is the circuit breaker tripped?	If the fuse is blown or the circuit breaker tripped, the dryer might tumble but not heat. Check your home's or laundry room's fuse box/circuit breaker box and replace the fuse or reset the circuit breaker.

3. Problem: There are greasy spots on my clothes

Question	What to Do
<ul style="list-style-type: none">• Did you follow the instructions on your fabric softener product?	Check and follow the instructions provided with your fabric softener product.
<ul style="list-style-type: none">• Are you drying clean and dirty clothes together?	Make sure to use your dryer to dry only clean items, because dirty items can soil clean clothes placed in the same load or later placed in the dryer drum.
<ul style="list-style-type: none">• Were your clothes entirely clean?	Stains on dried clothes are actually stains that weren't removed during the washing process. Make sure you are following your washing instructions and that the clothes are being completely cleaned.

Troubleshooting Guide

4. Problem: There is lint on my clothes

Question	What to Do
<ul style="list-style-type: none">• Is your lint filter full?	Please refer to the manual section on cleaning the lint filter, and please confirm that the lint filter is clean. It is important that the lint filter is clean before each new load of laundry.
<ul style="list-style-type: none">• Did you properly sort your load of laundry?	In order to reduce the amount of lint in a load of laundry, sort lint producers (like a fuzzy white cotton towel) separately from clothes that might catch lint (such as a pair of black linen pants).
<ul style="list-style-type: none">• Do your clothes have excess static electricity?	See comments below under item 5, There is static in my clothes after drying.
<ul style="list-style-type: none">• Did you overload your dryer?	Divide your larger load into smaller loads.
<ul style="list-style-type: none">• Did you place any paper, tissue, or other similar material in the load?	Sometimes a person might forget to take a piece of paper or a tissue out of the pocket of a pair of pants, and this paper, tissue, or similar material can cause excess lint in a load of laundry. Confirm that the pockets of pants, shirts, and other articles of clothing are empty before washing and drying.

5. Problem: There is static in my clothes after drying

Question	What to Do
<ul style="list-style-type: none">• Did you use fabric softener?	Try using a fabric softener to reduce static electricity.
<ul style="list-style-type: none">• Did you over dry the load of laundry?	Overdrying a load of laundry can cause a build up of static electricity. Try using a fabric softener or adjust your settings and use a shorter drying time.
<ul style="list-style-type: none">• Are you drying synthetic, permanent press and blends?	These materials can cause static to build up in a load of dried clothes. Try using a fabric softener.

6. Problem: The drying time is not consistent

Question	What to Do
<ul style="list-style-type: none">• Are you using consistent heat settings and consistent load sizes?	The drying time for a load will vary depending on the heat setting, the size of the load, the type of fabrics, the wetness of the clothes, and the condition of the lint filter.

Troubleshooting Guide

7. Problem: It takes too long for my clothes to dry

Question	What to Do
<ul style="list-style-type: none">• Did you properly sort your loads of laundry?	Separate heavy weight items from light weight items when creating loads.
<ul style="list-style-type: none">• Are you drying large loads of heavy fabrics?	Heavy fabrics take longer to dry because they tend to retain more moisture. To help reduce and maintain more consistent drying times for large and heavy fabrics, separate these items into smaller loads of a consistent size.
<ul style="list-style-type: none">• Are the dryer controls properly set?	Use the appropriate control settings for the type of load you are drying.
<ul style="list-style-type: none">• Is the lint filter clean before each new load of laundry?	Please confirm that the lint filter is clean prior to each new load of laundry.
<ul style="list-style-type: none">• Is the fuse blown, or is the circuit breaker tripped?	Check your home's or laundry room's fuse box/circuit breaker box and replace the fuse or reset the circuit breaker.
<ul style="list-style-type: none">• Did you overload your dryer?	Divide your larger load into a number of smaller loads.
<ul style="list-style-type: none">• Did you under load your dryer?	If you are only drying a handful of items, add a few extra pieces to help ensure proper tumbling action.

8. Problem: My clothes are wrinkled

Question	What to Do
<ul style="list-style-type: none">• Are you overdrying your laundry?	Overdrying a load of laundry can lead to wrinkled clothes. Try a shorter drying time, and remove items while they still retain a slight amount of moisture.
<ul style="list-style-type: none">• Are you removing your laundry from the dryer soon after the drying cycle is complete?	Remove your laundry from the dryer after the drying cycle ends and either hang or fold the items.

9. Problem: My clothes are shrinking

Question	What to Do
<ul style="list-style-type: none">• Are you following the care instructions for your garment?	To avoid shrinkage, carefully follow the care and use instructions for your garment, because some fabrics will naturally shrink when washed. Other fabrics can be washed but will shrink when dried in a dryer.

Troubleshooting Guide

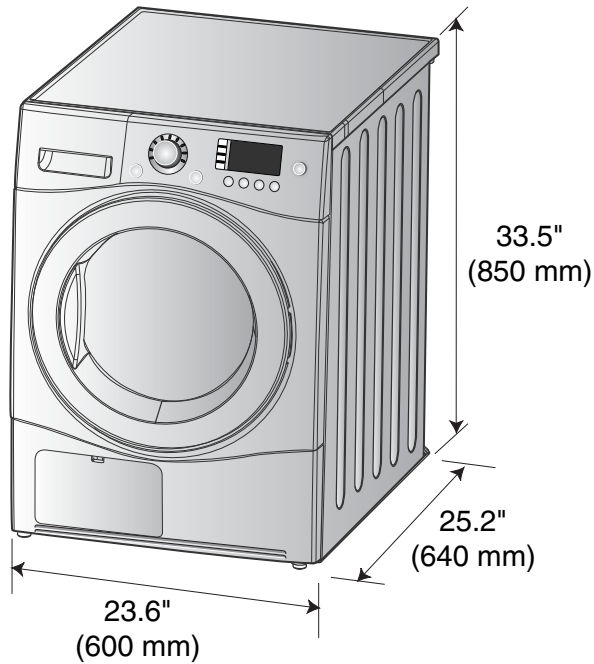
● Error Mode

- *dE* LED displays *dE* in case of the door open. The door must be closed and start Button must be pressed for re-operation.
- *EE,EE,LE* If display errors continues to occur, unplug the power cords and then call to the Service Center.

● Drum light does not work

- Connect customer service

Technical Data



- Type : Electric Dryer
- Rating : Please refer to the rating label regarding detailed information.
- Size : 23.6 X 25.2 X 33.5 (inch)
- Capacity : IEC 4.2 cu.ft
- Weight : 105 lb (47.5 kg)

* The appearance and specifications are subject to change without manufacturer's notice.

SEEKING WARRANTY ASSISTANCE

Warranty Service is available by contacting your nearest LG Service Center. If this product is installed and operated per this manual, LG will repair or replace any parts defective in material or workmanship throughout the warranty period, beginning with the date of purchase. Call 800-243-0000 24 / 7 / 365. Have your model number and serial number ready.

⚠ WARNING

For your safety, the recommendations in this manual must be followed. To reduce the risk of fire or explosion, electric shock, or to prevent property damage, personal injury, or death when using your appliance, follow basic precautions, including the following.

Warranty Restriction If the dryer is subjected to other than private family use, all warranty coverage is effective for only 90 days.

You will need the complete Model and Serial numbers when requesting Warranty Service. Proof of purchase date is required.

Use the space below to record the model numbers and serial number of your new LG dryer.

Model No. _____

Serial No. _____

Date of Purchase _____

* Staple your receipt HERE.

Warranty

LG ELECTRONICS, INC. LG DRYER LIMITED WARRANTY - USA



Your LG Dryer will be repaired or replaced, at LG's option, if it proves to be defective in material or workmanship under normal use, during the warranty period ("Warranty Period") set forth below, effective from the date ("Date of Purchase") of original consumer purchase of the product. This warranty is good only to the original purchaser of the product and effective only when used in the United States, including Alaska, Hawaii, and U.S. Territories.

WARRANTY PERIOD:

LABOR: One Year from the Date of Purchase.

PARTS: One Year from the Date of Purchase.

Replacement Units and Repair Parts may be new or remanufactured.

Replacement Units and Repair Parts are warranted for the remaining portion of the original unit's warranty period.

HOW SERVICE IS HANDLED:

In-Home Service:

Please retain dealer's dated bill of sale or delivery ticket as evidence of the Date of Purchase for proof of warranty, and submit a copy of the bill of sale to the service person at the time warranty service is provided.

Please call 1-800-243-0000 and choose the appropriate option to locate your nearest LG Authorized Service Center.

Or visit our Web site at: <http://www.lgservice.com>.

THIS WARRANTY IS IN LIEU OF ANY OTHER WARRANTY, EXPRESS OR IMPLIED, INCLUDING WITHOUT LIMITATION, ANY WARRANTY OF MERCHANTABILITY OR FITNESS FOR A PARTICULAR PURPOSE. TO THE EXTENT ANY IMPLIED WARRANTY IS REQUIRED BY LAW, IT IS LIMITED IN DURATION TO THE EXPRESS WARRANTY PERIOD ABOVE. NEITHER THE MANUFACTURER NOR ITS U.S. DISTRIBUTOR SHALL BE LIABLE FOR ANY INCIDENTAL, CONSEQUENTIAL, INDIRECT, SPECIAL, OR PUNITIVE DAMAGES OF ANY NATURE, INCLUDING WITHOUT LIMITATION, LOST REVENUES OR PROFITS, OR ANY OTHER DAMAGE WHETHER BASED IN CONTRACT, TORT, OR OTHERWISE. Some states do not allow the exclusion or limitation of incidental or consequential damages or limitations on how long an implied warranty lasts, so the above exclusion or limitation may not apply to you. This warranty gives you specific legal rights and you may also have other rights that vary from state to state.

THIS LIMITED WARRANTY DOES NOT APPLY TO:

- Service trips to your home to deliver, pick up, and/or install the product, instruct, or replace house fuses or correct wiring, or correction of unauthorized repairs.
- Damages or operating problems that result from misuse, abuse, operation outside environmental specifications or contrary to the requirements of precautions in the Operating Guide, accident, vermin, fire, flood, improper installation, acts of God, unauthorized modification or alteration, incorrect electrical current or voltage, or commercial use, or use for other than intended purpose.

The cost of repair or replacement under these excluded circumstances shall be borne by the consumer.

CUSTOMER INTERACTIVE CENTER NUMBERS

To obtain Customer Assistance, Product Information, or Dealer or Authorized Service Center location:

Call **1-800-243-0000** (24 hours a day, 365 days per year), and select the appropriate option from the menu.
Or visit our Web site at: <http://www.lgservice.com>.

TO CONTACT LG ELECTRONICS BY MAIL:

LG Customer Interactive Center
P. O. Box 240007
201 James Record Road
Huntsville, Alabama 35824
ATTN: CIC

Product Registration Information

Model: _____

Serial Number: _____

Date of Purchase: _____

The model and serial number can be located on the rating plate inside the front door.

Memo

Memo



 **1-800-243-0000**

Para el Servicio LG (Atención al Cliente) 24 horas al día, 7 días a la semana

MANUAL DEL PROPIETARIO

Secadora Eléctrica

DLEC855W
DLEC855R

Gracias por comprar una Secadora LG.
Por favor lea su manual correctamente, ya que contiene información importante de una instalación segura, Uso y mantenimiento. Guarde el modelo y número de serie y conserve su manual para futuras referencias.

Para más información, visite nuestro sitio web <http://us.lge.com>

Modelo # _____

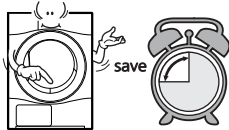
N° de Serie # _____

Fecha de compra _____

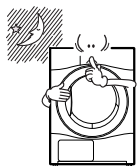
C Características



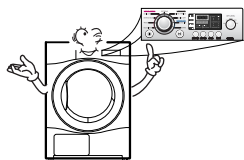
- **Tambor de capacidad ultragrande**
LG Secadora tiene una capacidad.



- **Tiempo de secado reducido**
El tiempo de secado se reduce gracias al uso de un eficaz sistema de flujo de aire y sistema de calor optimizado.



- **Innovador sistema de reducción de ruido**
El optimizado diseño del sistema de flujo de aire y la tecnología de reducción de vibraciones permiten reducir el ruido.



- **Fácil de usar**
El control electrónico cuenta con una pantalla LED de gran tamaño y fácil de leer.

Qué significa secado por sensor o secado por tiempo?

Su secadora proporciona programas de secado manual y mediante sensor.

Secado con sensor La secadora mide de forma electrónica el nivel de humedad de la ropa y determina automáticamente el tiempo de funcionamiento en función del nivel de sequedad de la carga y del programa seleccionado. El control cambiará el tiempo restante estimado si detecta un gran cambio en el tiempo necesario para completar el ciclo. Estos grandes aumentos o reducciones en el tiempo son normales, y no indican un funcionamiento inadecuado del producto.

Secado manual El secado manual le permite establecer el tiempo de secado deseado de forma manual.

Es posible que determinados tipos de carga, como gran cantidad de ropa o ropa de gran tamaño, no se sequen correctamente con la función de secado con sensor. Para garantizar un completo secado de estas cargas, deberán utilizarse la función de secado manual.

C Contenido

Instrucciones de seguridad	3
Instrucciones de instalación.....	6
Requerimientos eléctricos	10
Aspecto y diseño	13
Funcionamiento de la secadora	14
Funciones adicionales	17
Cuidado de la secadora	19
Consejos adicionales para un uso inteligente	22
Guía para la solución de problemas	24
Datos técnicos	28
Términos de la garantía	29

Instrucciones de seguridad

LEA TODAS LA INSTRUCCIONES ANTES DE USAR

⚠️ ADVERTENCIA

Por su seguridad, debe seguir la información indicada en este manual para minimizar el riesgo de incendio o explosión, descarga eléctrica, o para prevenir daños a la propiedad, lesiones personales o muerte.

Su Seguridad y la de los demás son de suma importancia.

En este manual y en su electrodoméstico figuran muchos mensajes importantes de seguridad. Lea y cumpla siempre con todos los mensajes de seguridad.



Éste es el símbolo de alerta de seguridad.

El mismo alerta sobre potenciales riesgos de muerte o heridas tanto para usted como para otras personas. Todos los mensajes de seguridad estarán a continuación del símbolo de alerta de seguridad y con la palabra PELIGRO o ADVERTENCIA. Estas palabras significan:

⚠️ PELIGRO: Corre riesgo de muerte o de sufrir heridas serias si no sigue las instrucciones inmediatamente.

⚠️ ADVERTENCIA: Corre riesgo de muerte o de sufrir heridas serias si no sigue las instrucciones.

Todos los mensajes de seguridad le indicarán cuál es el riesgo potencial, le dirán cómo reducir las posibilidades de sufrir heridas y qué puede suceder si no se siguen las instrucciones.

PRECAUCIONES BÁSICAS DE SEGURIDAD

⚠️ ADVERTENCIA

Para minimizar el riesgo de incendio o explosión, descarga eléctrica, o para prevenir lesiones personales cuando use electrodomésticos, se deben seguir precauciones básicas de seguridad, incluyendo las siguientes:

- No instale una secadora junto a materiales de ventilación plásticos flexibles. Si se instala un conducto flexible metálico (de tipo aluminio), éste deberá cumplir las especificaciones determinadas por el fabricante del electrodoméstico para su uso con secadoras. Se sabe que los materiales de ventilación flexibles se contraen, se agrietan con rapidez y atrapan pelusas. Estas condiciones obstruirán el flujo de aire de la secadora y aumentarán el riesgo de incendio.
- No almacene o use gasolina ni ningún otro tipo de vapores o líquidos inflamables cerca de este electrodoméstico ni de ningún otro electrodoméstico.
- Únicamente un técnico calificado de mantenimiento, agencia de mantenimiento o compañía de gas deberán realizar el mantenimiento y la instalación.
- Instale la secadora según las instrucciones del fabricante y las normativas locales.
- Guarde estas instrucciones.

INSTRUCCIONES DE CONEXIÓN A TIERRA

Este electrodoméstico deberá estar conectado a tierra. En caso de avería o mal funcionamiento, la conexión a tierra reducirá el riesgo de descargas eléctricas al brindar un camino con una resistencia menor para la corriente eléctrica. Este electrodoméstico debe estar equipado con un cable con un conductor para la conexión a tierra del equipo y un enchufe con conexión a tierra. El enchufe deberá estar conectado a una toma de corriente instalada en forma adecuada y con conexión a tierra de acuerdo con todos los códigos y ordenanzas locales. Consulte a un electricista calificado o personal del servicio si tiene dudas de que el electrodoméstico se encuentre conectado

a tierra apropiadamente. No modifique el enchufe que se entrega con el electrodoméstico. Si no coincide con la toma de corriente, contrate a un electricista calificado para que instale una toma de corriente en forma adecuada.

Este electrodoméstico debe estar conectado a un sistema de cableado de metal permanente con conexión a tierra o se debe tender un conducto para la conexión a tierra del equipo con los conductores del circuito y conectado al terminal de tierra del equipo o al conductor de suministro del electrodoméstico. Si la secadora no se encuentra adecuadamente conectada a tierra se pueden producir descargas eléctricas.

I nstrucciones de seguridad

PRECAUCIONES BÁSICAS DE SEGURIDAD

⚠ ADVERTENCIA

Para minimizar el riesgo de incendio o explosión, descarga eléctrica, o para prevenir lesiones personales cuando use electrodomésticos, se deben seguir precauciones básicas de seguridad, incluyendo las siguientes:

- Lea todas las instrucciones antes de usar la secadora.
- Antes de usar, la secadora debe estar correctamente instalada como se describe en este manual.
- No coloque artículos que hayan sido expuestos a aceites, incluyendo aceites comestibles, en su secadora. Los artículos contaminados con aceites comestibles podrían contribuir a la generación de una reacción química que podría ocasionar que una carga se incendie.
- No seque artículos que hayan sido limpiados, lavados, remojados o salpicados previamente con gasolina, disolventes de limpieza en seco u otras sustancias inflamables o explosivas, ya que emanan vapores que podrían encenderse o explotar, incluso después del lavado.
- No introduzca las manos en la secadora cuando el tambor o las otras partes estén en movimiento.
- No repare o reemplace ninguna parte de la secadora ni intente reparar la misma a menos que esto se recomiende en forma específica en esta Guía de Uso y Cuidado o en instrucciones de reparación publicadas las cuales comprende y sabe aplicar.
- No altere los controles.
- Antes de poner la secadora fuera de servicio o de tirarla, quite la puerta para prevenir que los niños se metan dentro.
- No deje que los niños jueguen en la secadora ni dentro de ella. Cuando se usa la secadora cerca de los niños, se necesita una supervisión estricta.
- Use suavizadores de tela o productos para eliminar estática únicamente del modo recomendado por el fabricante.
- No use calor para secar artículos que contienen caucho espumoso, plásticos o materiales de textura similar al caucho.
- Evite la acumulación de pelusa, polvo o tierra alrededor del área de la apertura de ventilación y áreas adyacentes.
- La parte interior de la secadora y el conducto de ventilación se deberán limpiar periódicamente, y la misma deberá ser realizada por personal calificado del servicio.
- No instale ni coloque esta secadora en lugares donde pueda estar expuesta a variables climáticas.
- Antes de cargar la secadora, siempre revise que no haya objetos extraños en su interior.
- Retire la pelusa del filtro antes de cada carga.

⚠ ADVERTENCIA

Una conexión inapropiada del conductor de conexión a tierra del equipo puede provocar riesgos de descargas eléctricas.

INSTRUCCIONES IMPORTANTE PARA LA INSTALACIÓN

⚠ ADVERTENCIA

Para reducir el riesgo de incendio, descargas eléctricas o heridas al usar su electrodoméstico, siga las precauciones básicas, incluyendo lo siguiente:

- **Conecte la secadora adecuadamente a tierra según todos los códigos y las regulaciones vigentes. Siga los detalles en las instrucciones de instalación.** Si la secadora no se encuentra adecuadamente conectada a tierra se pueden producir descargas eléctricas.
- **Antes de usar, la secadora debe estar correctamente instalada como se describe en este manual.** Si la secadora no se encuentra adecuadamente conectada a tierra se pueden producir descargas eléctricas.
- **Todas las reparaciones y controles deberán ser realizados por un centro de servicio autorizado a menos que se den otras recomendaciones específicas en el Manual del Usuario.** Utilice sólo piezas de fábrica autorizadas. Si no se cumple con esta advertencia se podrán producir heridas graves, incendios, descargas eléctricas o muerte.
- **Instale y almacene la secadora en un lugar no expuesto a temperaturas inferiores al punto de congelación ni expuesto a la intemperie.** Si no se cumple con esta advertencia se podrán producir heridas graves, incendios, descargas eléctricas o muerte.
- **No lo instale cerca de un elemento que genera calor, como una cocina u horno de cocción. No hacerlo puede provocar una deformación, humo o un incendio.**

Instrucciones de seguridad

INSTRUCCIONES IMPORTANTES PARA LA INSTALACIÓN

- No coloque velas o cigarrillos sobre el producto. No hacerlo puede provocar una deformación, humo o un incendio.
- Quite la película de vinilo protectora del producto. No hacerlo puede provocar una deformación, humo o un incendio.
- Con el fin de reducir el riesgo de descargas eléctricas no instale la secadora en espacios húmedos. Si no se cumple con esta advertencia se podrán producir heridas graves, incendios, descargas eléctricas o muerte.
- Conecte un circuito eléctrico clasificado, protegido y adecuado para evitar sobrecarga eléctrica. Un circuito eléctrico inadecuado se puede fundir, creando descargas eléctricas y/o riesgo de incendio.
- Quite todos los elementos de embalaje y deseche adecuadamente todos los materiales de envío. Si no se cumple con esto se podrá producir una explosión,
- Coloque la secadora a una altura mínima de 18 pulgadas (45,7 cm) encima del piso para una instalación en el garaje. Si no se cumple con esto se podrá producir una explosión, incendio, quemaduras o muerte.
- Mantenga todos los envoltorios alejados de los niños. Los materiales de los envoltorios pueden resultar peligrosos para los niños. Existe riesgo de asfixia.

LEA TODAS LAS INSTRUCCIONES ANTES DE USAR

⚠ ADVERTENCIA

Para reducir el riesgo de incendio, descargas eléctricas o heridas al usar su electrodoméstico, siga las precauciones básicas, incluyendo lo siguiente:

INSTRUCCIONES IMPORTANTES PARA CONECTAR LA ELECTRICIDAD

- Bajo ninguna circunstancia, corte o quite la tercera pata (puesta a tierra) del cable eléctrico. Para evitar heridas a nivel personal o daños sobre la secadora, el cable de corriente eléctrica debe estar conectado en una conexión a tierra en condiciones adecuadas.
- Por motivos de seguridad personal, este electrodoméstico debe estar conectado a tierra adecuadamente. Si esto no se cumple se podrán producir descargas eléctricas o heridas.
- Consulte las instrucciones de instalación de este manual para obtener los requisitos eléctricos específicos de su modelo. Si estas instrucciones no se cumplen se podrán producir descargas eléctricas y/o riesgo de incendio.
- Esta secadora debe estar enchufada a un tomacorriente conectado a tierra adecuadamente. Si la secadora no se encuentra adecuadamente conectada a tierra se pueden producir descargas eléctricas. Contrate a un electricista calificado para que controle el tomacorriente y el circuito eléctrico para asegurarse que el enchufe está correctamente conectado a tierra. Esto evitará riesgos de descargas y asegurará la estabilidad durante el funcionamiento.
- La secadora siempre debe estar enchufada a su tomacorriente individual, con la clasificación de tensión correspondiente a la placa de datos de servicio. Esto proporciona el mejor desempeño y previene a la vez sobrecarga de los circuitos de cableado del hogar, lo que podría producir un incendio debido a los cables sobrecalentados.
- Nunca desenchufe su secadora empujando el cable de corriente. Siempre tome su enchufe firmemente y empuje el mismo hacia fuera para retirarlo. El cable de corriente se puede cortar debido a cualquier movimiento de su parte central, resultando en una descarga eléctrica.
- Repare o reemplace de inmediato todos los cables de corriente pelados o con cualquier tipo de daño. No use un cable con cortaduras o abrasión sobre su extensión o extremos. Este cable de corriente se puede fundir, creando descargas eléctricas y/o riesgo de incendio.
- Al instalar o cambiar de lugar la secadora, evite todo tipo de cortes u otros daños en el cable de corriente. Esto evitará heridas o daños debido a incendios o descargas eléctricas sobre la secadora.

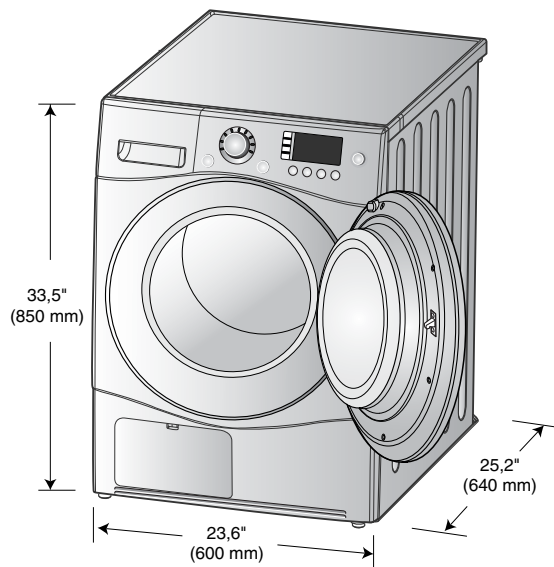
GUARDE ESTAS INSTRUCCIONES

I nstrucciones de instalación

Las siguientes instrucciones le servirán de guía a través de los pasos iniciales para la preparación de su secadora para el uso. Por favor note que cada sección de este manual proporciona información importante sobre la preparación y uso de su secadora, y es muy importante que lea este manual completamente antes de proceder con cualquiera instalación o con su uso. Instrucciones detalladas adicionales concernientes a las conexiones eléctricas, conexiones del gas, y los requerimientos sobre el escape son suministrados en otras partes de este manual.

PASO 1 Colocación de la Secadora

Elija un lugar de suelo sólido en el que se pueda ubicar su secadora. Colóquela al menos 18 pulgadas sobre el suelo si la instala en un garaje. Una vez la secadora ha sido instalada en el lugar deseado, asegúrese de que cuenta con las holguras necesarias que puede ver en la siguiente ilustración y en las secciones de los requisitos de salida y de mantenimiento.



Nota

Las patas niveladoras deberán quedar bien fijadas.

Las cuatro patas deberá estar en un suelo firme, regular y correctamente nivelado, tal como se indica en este manual.

Si la secadora no está nivelada, ésta no podrá detectar el nivel de humedad de la ropa de una forma precisa. Durante la nivelación del aparato, sea precavido para evitar lesiones.

Instrucciones de instalación

PASO 2 Conexión Eléctrica

A continuación encontrará advertencias e instrucciones concernientes a la confección de la conexión eléctrica para secadoras eléctricas. Información detallada adicional concerniente a la conexión eléctrica es suministrada en la sección del manual Requerimientos Eléctricos para la Secadora Eléctrica y es importante que usted lea esta sección completamente, así como el resto del manual, antes de tomar algún paso para instalar o usar esta secadora.

1. Use solamente un cable de alimentación nuevo listado No. 10 por U.L. (alambre de cobre únicamente) de conductores clasificado para 240 Voltios (mínimo) 30 Amperios y que está indicado de uso aceptable para una secadora de ropa.
2. Se requiere una instalación de 4 hilos para todas instalaciones de casas rodantes y donde la normativa local no permita la conexión a tierra de este aparato a través de un conector neutral. Esta instrucción se aplicará, asimismo, para todas las nuevas construcciones a partir del 1 de enero de 1996.
3. Para instrucciones adicionales de como conectar la secadora a una fuente eléctrica, favor refiérase a la sección de este manual sobre Requerimientos Eléctricos para Secadora Eléctrica.

⚠ ADVERTENCIA

- Use un cable de alimentación nuevo aprobado por U.L. de 30 amp. o alambre de cobre sólido calibre 10.
- Use un liberador de tensión aprobado por UL.
- Desconecte la corriente antes de hacer las conexiones eléctricas.
- Conecte el alambre neutral (alambre blanco o central) al terminal central.
- El alambre a tierra (alambre verde o descubierto) debe conectarse al conector a tierra verde.
- Asegúrese de apretar todas las conexiones eléctricas.
- Vea las instrucciones de instalación para unas instrucciones completas.
- Se requiere una conexión de 4 hilos en todas las instalaciones de viviendas móviles y prefabricadas, así como en todas las construcciones nuevas posteriores al 1 de enero de 1996.
- De no seguir estas advertencias puede resultar en incendio o choque eléctrico.

PASO 3 Preparación de la Secadora

Antes de usar por primera vez esta secadora, utilice un producto limpiador para todo propósito, o una solución de detergente y agua, con un paño húmedo para remover de la parte interior del tambor de la secadora /compartimiento de secado cualquier polvo o sucio que se haya podido acumular dentro de la secadora. Enchufe su secadora después de haber revisado las siguientes partes en los Requerimientos Eléctricos de su secadora.

PASO 4 Confirmación de la Operación de la Fuente de Calor.

Cierre la puerta al tambor / Compartimiento de secado de la secadora y después de haber completado todos los pasos en este manual para una instalación correcta de esta secadora, encienda la secadora en temperatura caliente, como mejor se describe en las instrucciones de operación provistas con la secadora.

PASO 5 Instrucciones Adicionales para la Instalación de su Secadora en una Casa Prefabricada o rodante.

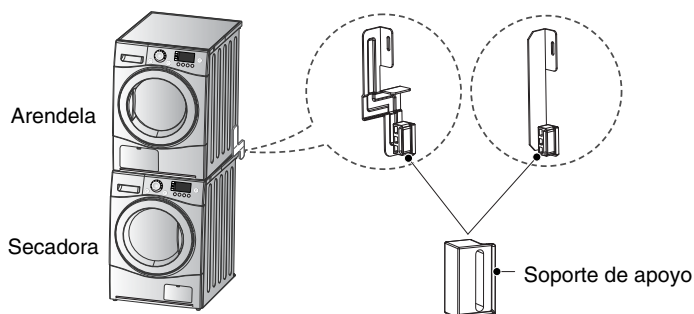
Las siguientes instrucciones se aplican a instalaciones de la secadora en casas prefabricadas o rodante. La instalación en una casa prefabricada o rodante debe cumplir con los estándares de Seguridad y Construcción de Casas Prefabricadas, Título 24 CFR, Parte 32-80 o el Estándar CAN/CSA0Z240 MH y los códigos y ordenanzas locales. Si no está seguro de que la instalación cumplirá con estos estándares, por favor contacte a un profesional de mantenimiento e instalación para que le ayude.

- 1) La conexión eléctrica para una secadora eléctrica debe ser de conexión de 4 alambres. Información adicional detallada concerniente a la conexión eléctrica es suministrada en la sección del manual Requerimientos Eléctricos para la Secadora Eléctrica.

Instrucciones de instalación

Kit de superposición

Para colocar esta secadora sobre una lavadora LG, es necesario un kit de superposición de LG.



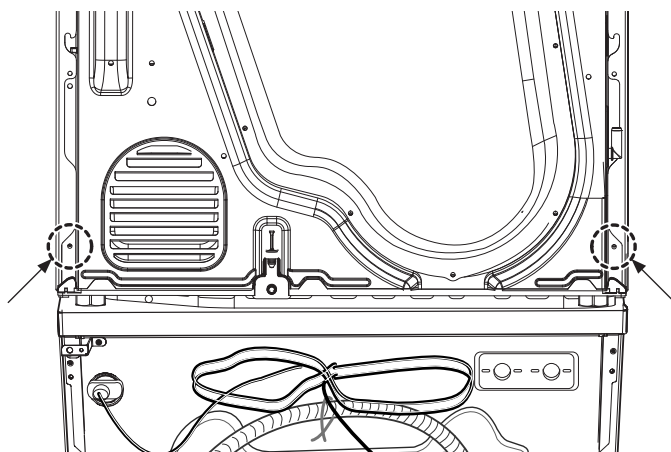
Esta secadora sólo se podrá colocar en columna sobre una lavadora LG. NO intente colocar esta secadora en columna sobre otras lavadoras, ya que podrían producirse desperfectos, lesiones o daños a la propiedad.

Para colocar esta secadora en columna, se deberá usar el soporte incluido con el juego de montaje en columna.

Formar	Tamaño de la placa superior de la lavadora		Soporte de apoyo
	23.6 inch (600mm)	21.7 inch (550mm)	

Procedimiento de instalación

1. Coloque la secadora LG sobre la lavadora LG.
2. Retire los dos tornillos situados a ambos lados de la parte inferior de la cubierta trasera, tal como se muestra en la ilustración.

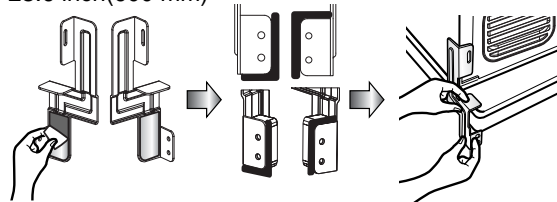


⚠ ADVERTENCIA

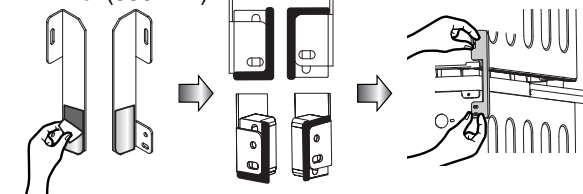
- Una instalación incorrecta puede causar accidentes serios.
- El peso de la secadora y la altura de la instalación hacen que montar el kit sea peligroso para una sola persona. Este procedimiento debe realizarse por 2 o más personas con experiencia en este tipo de servicios.
- El secador no es apropiado para incorporada. Por favor, no instale como un built-in.
- No haga funcionar la secadora cuando se desmonta.

3. El montaje de un juego de accesorios de apilamiento se realiza como sigue.
 - Retire la película protectora de la cinta de doble cara sobre el soporte, según el tamaño de la lavadora.
 - Sujete el soporte de apoyo.
 - Alinee los orificios del juego de montaje en columna con los orificios de la cubierta trasera y, a continuación, fije bien el soporte al lateral de la lavadora en dicha posición.

23.6 inch (600 mm)

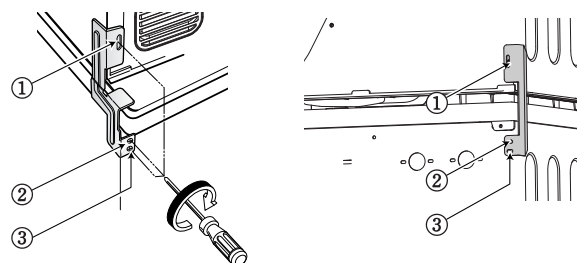


21.7 inch (550 mm)



4. El montaje de un juego de accesorios de apilamiento se realiza como sigue.

- Atornille los 2 tornillos que desatornilló anteriormente para montar la parte posterior de la secadora y el juego de accesorios de apilamiento. (①)
- Utilice los tornillos [1.2inch (30mm)] accesorios para montar la cubierta posterior de la lavadora y el juego de accesorios de apilamiento. (②, ③)
- El procedimiento para el lado opuesto será exactamente igual.



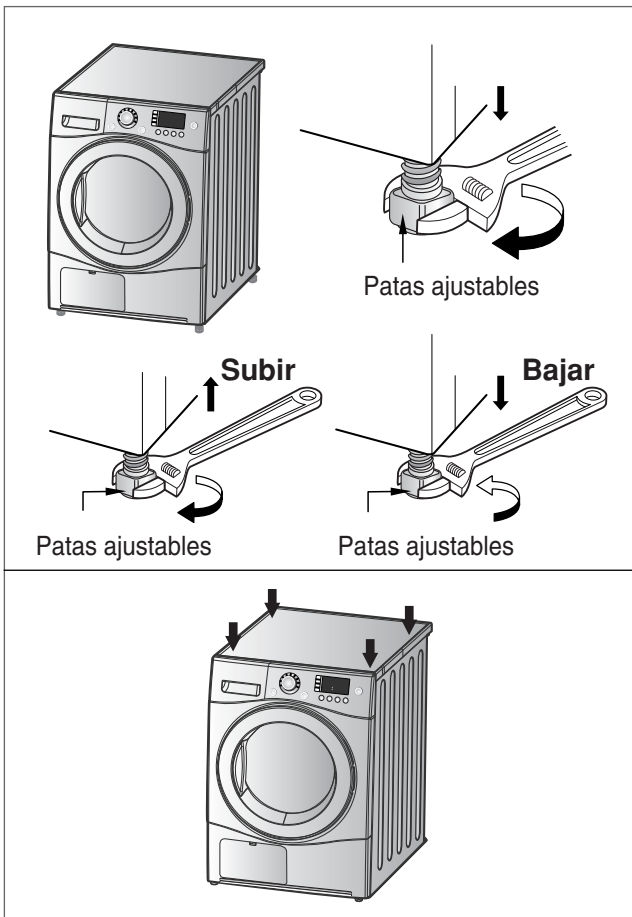
Instrucciones de instalación

● Nivele la secadora



1. Se debe nivelar la secadora para evitar ruidos y vibraciones no deseables.

Coloque la secadora en un suelo firme y nivelado. Asegúrese de que en el lugar donde se coloque no se produzcan salpicaduras de agua ni descensos bruscos de temperatura. No almacene materiales inflamables cerca de la secadora.



2. Si la secadora no está adecuadamente nivelada, ajuste las patas niveladoras delanteras, subiéndolas o bajándolas según sea necesario.

Gire las patas hacia la derecha para elevar la secadora, y hacia la izquierda para bajarla. Revise la secadora en diagonal para asegurarse de que ésta no balancea de modo alguno. Si fuese necesario, vuelva a ajustar las patas.

* Comprobación diagonal

El aparato no deberá moverse en absoluto cuando haga presión, sobre las esquinas del mismo.

(Haga esta comprobación en cualquier dirección.)

Si el aparato se balancea cuando se hace presión diagonalmente en la placa superior, vuelva a ajustar las patas.

Requerimientos eléctricos

CÓMO CONECTAR LAS SECADORAS ELÉCTRICAS

⚠️ ADVERTENCIA

Para ayudar a evitar incendios, descargas eléctricas, heridas graves o muerte, el cableado e instalación a tierra deben cumplir con la última edición del Código Eléctrico Nacional, ANSI/NFPA 70 y todas las regulaciones locales aplicables. Por favor comuníquese con un electricista calificado para que controle el cableado y los fusibles y así asegurar que su casa posee energía eléctrica adecuada para operar la secadora.

⚠️ ADVERTENCIA

Para reducir el riesgo de incendio, descargas eléctricas o heridas al usar su electrodoméstico, siga las precauciones básicas, incluyendo lo siguiente:

- **Esta secadora debe estar conectada a un sistema de cableado metálico permanente conectado a tierra, o se debe tender un conductor de conexión a tierra de equipo con los conductores de circuito y conectado a la terminal de conexión a tierra del equipo o conductor de la secadora.** Si no se cumple con esto se podrá producir una explosión, incendio o muerte.
- **La secadora tiene su propio bloque terminal, el cual debe conectarse a un circuito de una sola fase de 240 V CA, de 60 Hz, protegido con fusible de 30 amperios (el circuito debe tener protección de fusible a ambos terminales de la línea). EL SUMINISTRO ELÉCTRICO DE LA SECADORA DEBERÁ SER DE LA MÁXIMA CLASIFICACIÓN DE VOLTAJE LISTADA EN LA PLACA DE CARACTERÍSTICAS. NO CONECTE LA SECADORA A UN CIRCUITO DE 110, 115 Ó 120 VOLTIOS.** Se dispone de elementos de calentamiento para instalación de campo en secadoras que deben conectarse a un suministro eléctrico de voltaje diferente al listado en la placa de datos de servicio. Si no se cumple con esto se podrá producir una explosión, incendio o muerte.

- Si un circuito de ramal a la secadora es de 15 pies (4,5 m) o menos de longitud, use alambre listado por UL (Underwriters Laboratories) Núm.-10 AWG (únicamente alambre de cobre),
- Según lo requieran las leyes locales. Si es más largo de 15 pies (4,50 m), use alambre listado por UL (Underwriters Laboratories) Núm.-8 AWG (únicamente alambre de cobre), o según lo requieran las leyes locales. Disponga de suficiente dotación de cableado, de manera de poder mover la secadora de su ubicación normal cuando sea necesario. Si no se cumple con esto se podrá producir una explosión, incendio o muerte.
- **NO se provee la conexión en espiral del cable eléctrico entre la caja de pared y el bloque terminal de la secadora con la misma. El tipo de conexión en espiral y el calibre del alambre deben seguir los códigos locales y las instrucciones indicadas en las siguientes páginas.** Si no se cumple con esto se podrá producir una explosión, incendio o muerte.
- **Se requiere una conexión de 4 hilos en todas las instalaciones de viviendas móviles y prefabricadas, así como en todas las construcciones nuevas posteriores al 1 de enero de 1996. Se debe usar una conexión de 4 hilos si los códigos locales no permitan la conexión a tierra utilizando el alambre neutro.** Si no se cumple con esto se podrá producir una explosión, incendio o muerte.

Requisitos eléctricos especiales para viviendas móviles o prefabricadas

⚠️ ADVERTENCIA

Para reducir el riesgo de incendio, descargas eléctricas o heridas al usar su electrodoméstico, siga las precauciones básicas, incluyendo lo siguiente:

- Cualquier instalación en una vivienda móvil o prefabricada debe realizarse de conformidad con los Estándares de seguridad y construcción de viviendas prefabricadas, Título 24 CFR, Parte 32-80 o estándar CAN/CSA0Z240 MH y con los códigos y regulaciones locales.
- **Se requiere una conexión de 4 hilos en todas las instalaciones de viviendas móviles y prefabricadas, así como en todas las construcciones nuevas posteriores al 1 de enero de 1996.** Si no se cumple con esto se podrá producir una explosión, incendio o muerte.

Requerimientos eléctricos

Revise las siguientes opciones para determinar la conexión eléctrica adecuada para su casa:



Tomacorriente de 4-alambres (Tipo NEMA 14-30R).

Utilice las instrucciones en esta sección si su casa tiene un tomacorriente de 4-alambres (Tipo NEMA 14-30R) y si usará un cable de alimentación para secadora listado por UL, de 120/240 voltios mínimo y de 30 amp.



Tomacorriente de 3-alambres (Tipo NEMA 10-30R)

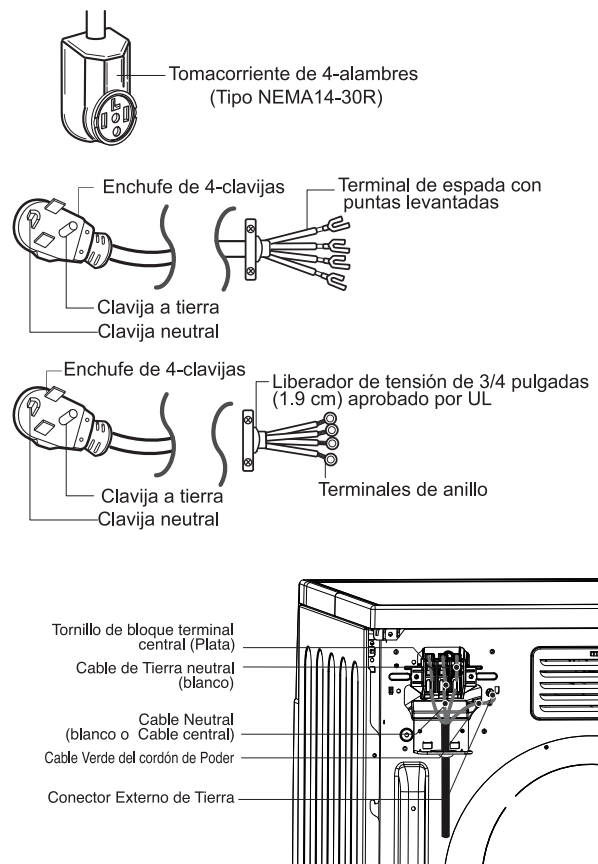
Utilice las instrucciones en esta sección si su casa tiene un tomacorriente de 3-alambres (Tipo NEMA 10-30R) y si usará un cable de alimentación para secadora listado por UL, de 120/240 voltios mínimo y de 30 amp.

Nota

- **Asegúrese de que los tornillos del bloque de terminales estén bien apretados. Si los tornillos no están apretados correctamente, podría producirse un incendio o daños a la propiedad.**
- **Si no está seguro de cuáles son los hilos de suministro eléctrico o no puede determinar cuál es el de corriente y cuál es el neutro, consulte a un electricista cualificado.**
- **Si no está seguro de si su toma de corriente está conectada correctamente a tierra, consulte a un electricista cualificado. Una conexión incorrecta a la fuente de alimentación puede producir daños en el producto, un incendio, lesiones o la muerte.**
- **La legislación de la mayoría de los países prohíbe la conexión directa de los hilos. Es responsabilidad del cliente garantizar que la instalación cumple todas las normativas locales.**

Opción 1 Conexión de 4-alambres con un Cordón de Alimentación.

- Si los códigos y ordenanzas locales no permiten el uso de una conexión de 3 alambres, o está instalando la secadora en una casa rodante, debe usar una conexión de 4-alambres.

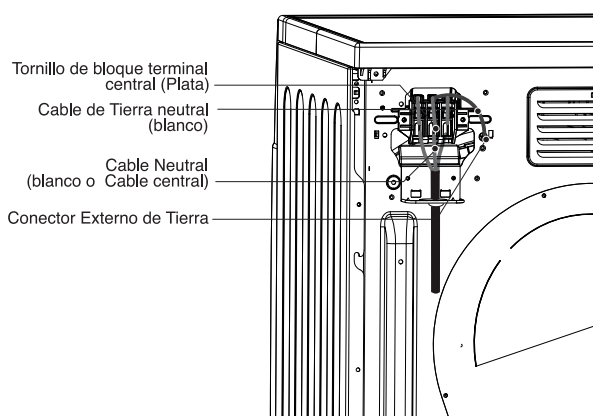
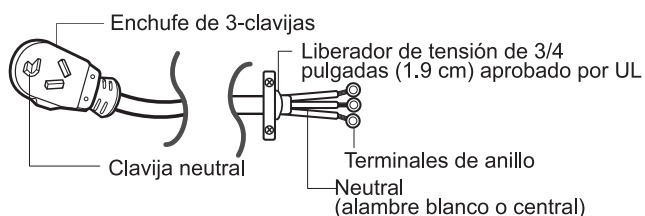
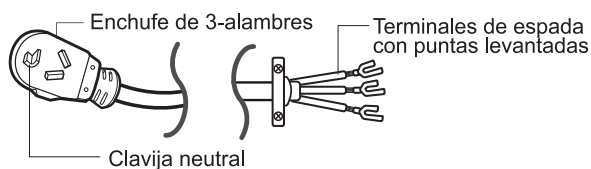
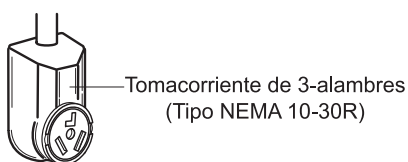


1. Conecte un cable neutral (blanco) al cable de poder para centrar la terminal del tornillo.
2. Conecte un cable rojo y otro Negro en las terminales izquierdas y derechas de los tornillos.
3. Conecte el cable de tierra(verde) del cable de poder al tornillo de tierra externo y mueva el cable de tierra neutral fuera del aparato y conéctelo al tornillo central.
4. Asegúrese que el tornillo de alivio de tensión este apretado. Asegure que todo el bloque de tuercas esten bien apretados, y el cable eléctrico de poder este en la posición correcta.

Requerimientos eléctricos

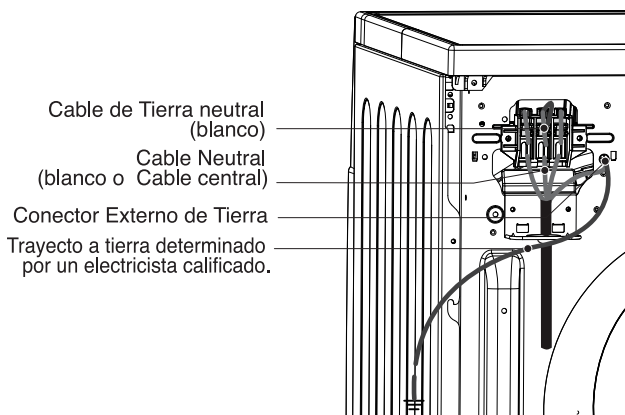
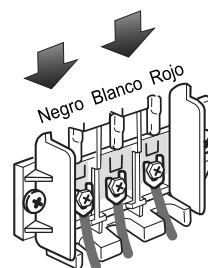
Opción 2 Conexión de 3-alambres con un cable de Alimentación.

Si los códigos y ordenanzas locales permiten la conexión de un conductor estructura-tierra al alambre neutral, utilice estas instrucciones. Si los códigos y ordenanzas locales no permiten la conexión de un conductor estructura-tierra al alambre neutral, utilice las instrucciones bajo la **Sección 3: Conexión opcional de 3-alambres.**



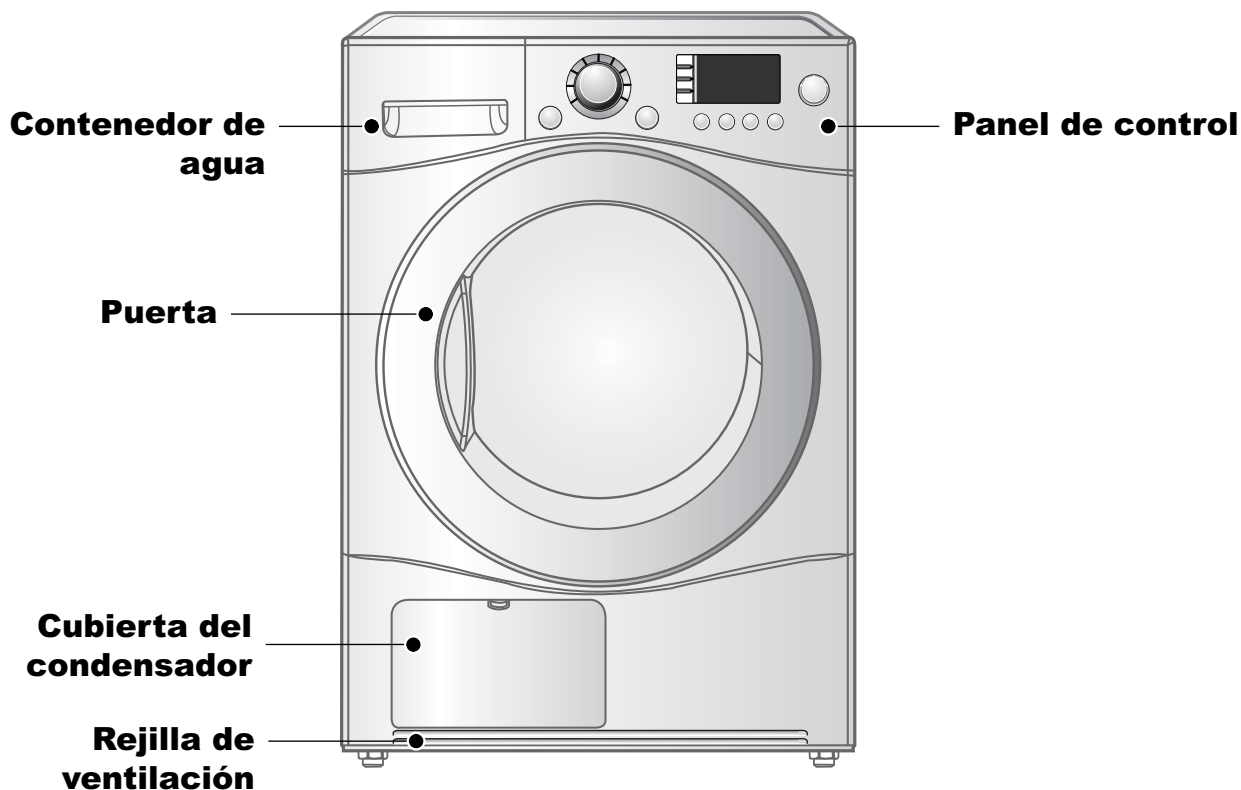
Opción 3 Conexión Opcional de 3-alambres.

- Si los códigos y ordenanzas locales no permiten la conexión de un conductor estructura-tierra a un cable neutral, utilice las instrucciones bajo esta sección.

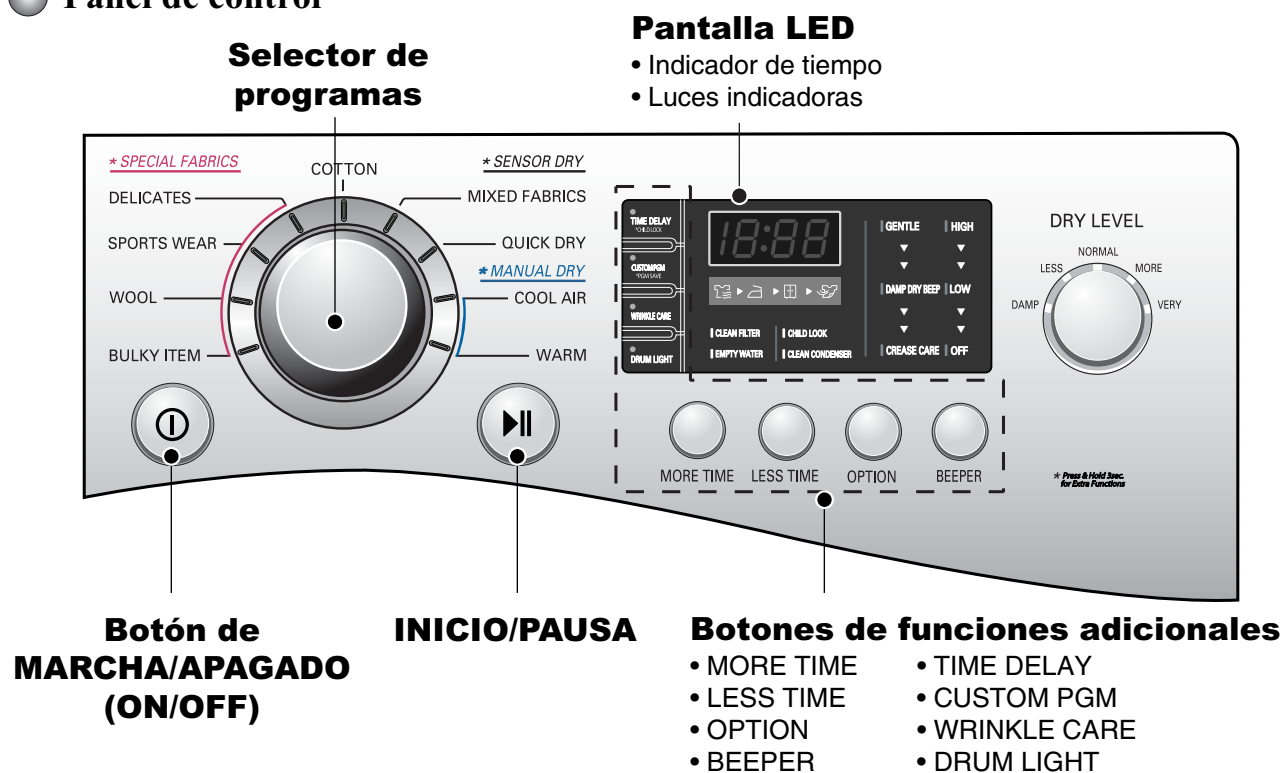


1. Conecte un cable neutral (blanco) al cable de poder para centrar la terminal del tornillo.
2. Conecte el cable de tierra(verde) del cable de poder al tornillo de tierra externo y mueva el cable de tierra neutral fuera del aparato y conéctelo al tornillo central.
3. Conecte un cable rojo y otro Negro en las terminales izquierdas y derechas de los tornillos.
4. Asegúrese que el tornillo de alivio de tensión este apretado. Asegure que todo el bloque de tuercas esten bien apretados, y el cable eléctrico de poder este en la posición correcta.

Aspecto y diseño



● Panel de control



Funcionamiento de la secadora

Tabla de selección de ciclos

Ciclos electrónicos de secado automático			Programa estándar
Algodón (COTTON)	Colchas, edredones pequeños y sábanas	Para tejidos gruesos y acolchados	Extra seco (VERY)
	Toallas de felpa, paños, toallas y ropa de cama	Para tejidos gruesos y acolchados que no necesitan plancha	Muy seco (MORE)
	Toallas de baño, paños, ropa interior y calcetines de algodón	Para tejidos que no necesitan plancha	Sin plancha (NORMAL)
	Sábanas, fundas de almohadas, toallas	Para tejidos que necesitan una plancha ligera	Ligeramente (LESS)
	Ropa de cama, manteles, toallas, polos y ropa de trabajo	Para tejidos que necesitan plancha	Planchado (DAMP)
Ciclos de tejidos mixtos (MIXED FABRAICS)	Ropa de cama, ropa de mesa, ropa de deporte, anoraks, mantas	Para tejidos gruesos y acolchados que no necesitan plancha	Muy seco (MORE)
	Camisas y blusas	Para tejidos que no necesitan plancha	Sin plancha (NORMAL)
	Pantalones, vestidos, faldas y blusas	For fabrics which do need to be ironed	Planchado (DAMP)
Secado rápido (QUICK DRY)	Un tipo de ropa de cama y toallas de tejidos especiales	Para pequeñas cantidades de tejidos especiales con tiempos de secado cortos	-
Programa especial			
Delicado (DELICATES)	Seda, prendas delicadas de mujer, lencería	Para tejidos sensibles al calor, como tejidos sintéticos	-
Ropa de deporte (SPORTS WEAR)	Uniformes de fútbol, ropa de deporte	Para materiales 100% polyester	-
Lana(WOOL)	Lana	Para tejidos de lana	-
Artículos grandes (BULKEY ITEM)	Ropa de cama	Prendas voluminosas	-
Ciclos de secado con temporizador para tiempos seleccionados			
Aire fresco (COOL AIR)	Todos los tejidos que deban esponjarse sin calor		-
Caliente (WARM)	Toallas de baño, albornoces, paños, tejidos acolchados acrílicos	Prendas pequeñas y colada presecada Tejidos normales usando temperatura caliente durante	-

⚠ PRECAUCIÓN

Si la carga es inferior a 2.2lbs (1kg), use la opción ciclo de calor en ciclo de secado manual. Las prendas de lana deben secarse en el WOOL program (Programa de lana) y los tejidos sensibles al calor, como la seda, ropa interior, o lencería debe secarse en DELICATES course (Ciclo delicado). Cumpla las recomendaciones relativas a la carga de colada al utilizar el programa de tejidos especiales. (Consulte la página 22)

En caso contrario, estas prendas pueden obtener unos resultados de secado no deseados.

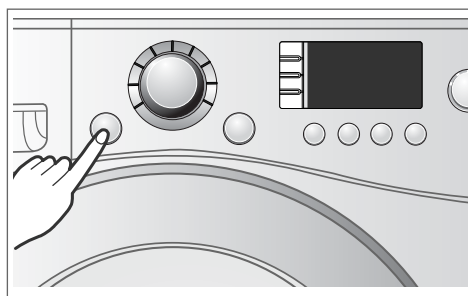
Funcionamiento de la secadora

● Antes de utilizar la secadora por primera vez

1. Al desembalar la secadora, asegúrese de que ésta no presenta daños visibles
2. Siga las instrucciones de montaje y utilice un nivel para garantizar que la instalación se realiza de forma adecuada.
3. Revise si el depósito de agua, el condensador, la puerta, la junta y el tambor muestran algún signo de daños.
4. Ponga en marcha la secadora durante unos minutos para asegurarse de que calienta correctamente.

1. Conecte la corriente.

Primero, pulse el botón de "Encendido". Se encenderá la luz indicadora situada encima del botón indicando que la máquina está preparada para ponerse en marcha.



Conecte.

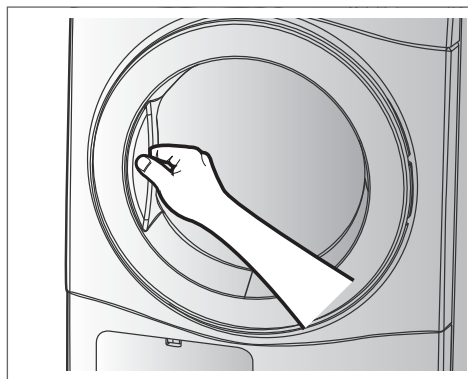
2. Abra la puerta.

3. Compruebe el filtro de pelusas, el contenedor de agua y el condensador.

El filtro de pelusas situado junto a la puerta deberá vaciarse después o antes de la operación de secado.

Abra la puerta y compruebe si el filtro de pelusas está limpio. Si no es así, límpielo como se indica en la página 19.

El contenedor de agua y el condensador también deben vaciarse y limpiarse para obtener unos mejores resultados de secado.

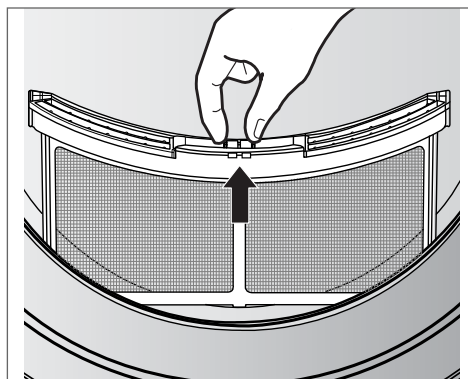


Abra la puerta.

4. Ponga la ropa en el tambor después de clasificarla.

La ropa deberá clasificarse por el tipo de tejido y por el nivel de sequedad y comprobar que todos los cordones y cinturones de la ropa estén bien atados y fijos antes de ponerla en el tambor.

Es aconsejable empujar la ropa hasta el fondo para mantenerla alejada del cierre de la puerta. En caso contrario, se podría dañar el cierre de la puerta.



Compruebe el filtro.

Funcionamiento de la secadora

5. Cierre la puerta.

Antes de cerrar la puerta, es necesario asegurarse de que las prendas estén bien colocadas y que no haya objetos extraños, especialmente inflamables, atrapados alrededor de la puerta.

6. Seleccione el ciclo de secado que desea.

Puede elegir un ciclo girando el botón de control de programas hasta que el programa requerido llegue a su indicador. Si sólo pulsa el botón Inicio/Pausa sin elegir ningún ciclo, la secadora continuará con el Sin planchado

[Consulte la tabla anterior de Selección de Ciclos (página 14) para una información detallada]

7. Pulse el botón INICIO.

Se puede oír como gira el tambor.

8. Una vez que termine de funcionar, abra la puerta y saque la ropa.

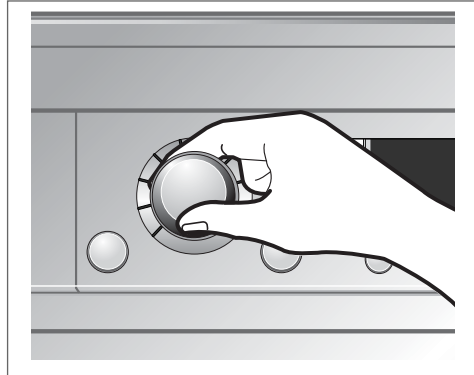
Cuidado! El interior del tambor aún podría estar caliente. (El tiempo de funcionamiento varía dependiendo del ciclo o de las opciones elegidos)

9. Limpie los filtros de pelusas y vacíe el contenedor de agua.

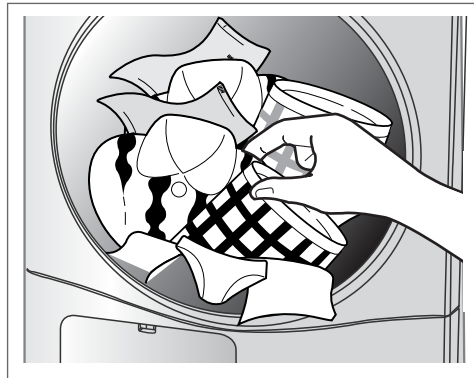
El filtro de pelusas deberá limpiarse después de cada carga

10. Apague la secadora.

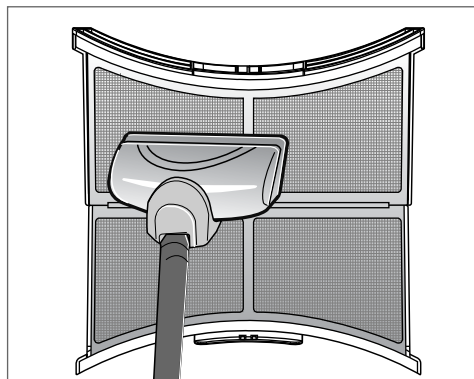
Pulse el botón encendido.



Seleccione el ciclo deseado.



Saque la ropa.

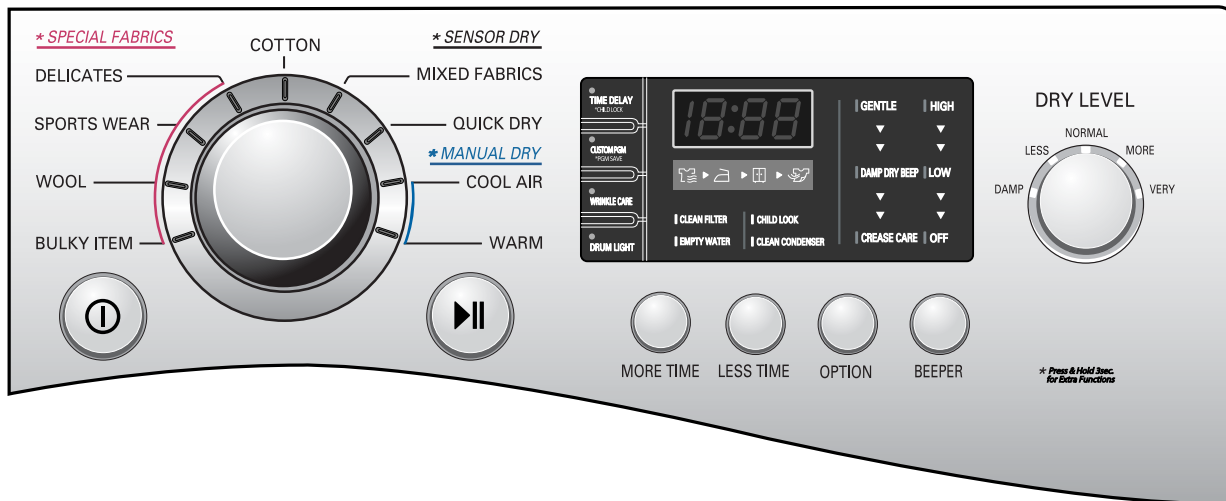


Limpie el filtro de pelusas de la puerta.

⚠ PRECAUCIÓN

- Asegurese de que el filtro no se rompa o este dañado cuando utilice una aspiradora. Si hay una pequeña acumulación de residuos en el filtro, puede limpiar el filtro de pelusas con un cepillo para eliminarlos.
- Si desea abrir la puerta mientras la secadora está funcionando, pulse primero el botón Inicio/Pausa, espere a que el tambor se detenga por completo y luego abra la puerta.

Funciones adicionales



TIEMPO DIFERIDO (TIME DELAY)

La función TIME DELAY (Temporizador) le permite poner en marcha la secadora a una hora concreta que mejor le convenga, por ejemplo, cuando en el horario de tarifa nocturna. La programación del ciclo se puede retrasar desde 3 horas hasta un máximo de 19 horas.

1. Cargue la secadora y cierre la puerta.
2. Presione el botón de encendido (POWER).
3. Seleccione el ciclo y las opciones deseadas.
4. Presione el botón TIME DELAY (temporizador) hasta que se muestre el tiempo de retardo deseado.
5. Presione el botón START/PAUSE (Encendido/Pausa).

ANTIARRUGAS (WRINKLE CARE)

Al seleccionar esta opción, la carga girará periódicamente durante unos segundos sin aplicarle calor. Este proceso continuará durante un máximo de 3 horas tras completar el ciclo seleccionado o hasta que se abra la puerta. De este modo se evita la formación de arrugas en las prendas hasta que retiren de la máquina.

Nota

Si se abre la puerta durante la parte de secado de un ciclo antes de que se haya iniciado la función WRINKLE CARE (Cuidado antiarrugas), no se cancelará el ciclo y se iniciará la función WRINKLE CARE una vez que termine la parte de secado normal del ciclo.

PROGRAMA PERSONALIZADO (CUSTOM PROGRAM)

Si tiene una combinación especial de ajustes que usa con frecuencia, puede guardar estos ajustes a manera de PROGRAMA PERSONALIZADO (CUSTOM PROGRAM).

* Para guardar un PROGRAMA PERSONALIZADO

1. Encienda la secadora.
2. Seleccione un ciclo.
3. Utilice los botones de modificación del ciclo para ajustar las opciones de dicho ciclo.
4. Seleccione otras opciones del ciclo que desee.
5. Mantenga presionado el botón CUSTOM PROGRAM (Programa personalizado) durante 3 segundos. La configuración se habrá guardado cuando se oigan dos pitidos.

Para recuperar un PROGRAMA PERSONALIZADO

1. Presione y suelte el botón CUSTOM PROGRAM (Programa personalizado). Aparecerá la configuración almacenada.
2. Presione y suelte el mando selector del ciclo para iniciar el ciclo. La secadora se pondrá en marcha automáticamente.

Nota

Sólo se puede guardar un programa personalizado cada vez. Si mantiene presionado el botón CUSTOM PROGRAM (Programa personalizado) durante 3 segundos, se sobrescribirá la configuración almacenada anteriormente en programa personalizado. Una vez recuperado el programa personalizado, podrá modificar cualquiera de las opciones memorizadas. Sin embargo, el programa personalizado se cancelará si gira el mando selector del ciclo.

Funciones adicionales

● CERRADURA A PRUEBA DE NIÑOS (CHILD LOCK)

Utilice esta opción para impedir que se cambie la configuración del ciclo cuando la secadora está en marcha. Presione y sostenga los botones TIME DELAY al mismo tiempo durante 3 segundos para activar o desactivar la función CERRADURA A PRUEBA DE NIÑOS (CHILD LOCK). El icono de bloqueo podrá verse en la pantalla y todos los controles quedaran desactivados.

● LUZ DEL TAMBOR (DRUM LIGHT)

Presione el botón DRUM LIGHT (Luz del tambor) para encender la luz del tambor durante el funcionamiento de la secadora. Esta luz le permitirá observar la carga con mayor facilidad. La luz del tambor se enciende cada vez que se abre la puerta.

● MÁS TIEMPO / MENOS TIEMPO (MORE TIME/LESS TIME)

Los botones MORE TIME (Más tiempo) y LESS TIME (Menos tiempo) le permiten aumentar o reducir el tiempo de secado cuando se seleccionan los ciclos de secado manual. Estos botones se desactivan una vez iniciado el ciclo.

Nota

Estos botones están solamente disponibles con las opciones SECADO MANUAL, antes de pulsar el botón INICIO/PAUSA.

● OPCIONES (OPTIONS)

SUAVE(GENTLE)

- Estas opciones se usan para acortar o alargar el tiempo del ciclo aumentando o reduciendo la temperatura.
- Esta opción sólo se usa con los ciclos Cotton (Algodón) y Mixed Fabrics (Tejidos de mezcla).

AVISO DE SECADO HÚMEDO (DAMP DRY BEEP)

- Esta opción permite que el control emita un pitido cuando las prendas hayan alcanzado el nivel "casi seco". De este modo, le indica que se pueden retirar las prendas que no desee secar en exceso o que desea dejar un poco húmedas para facilitar su planchado.
- Esta opción sólo se usa con los ciclos COTTON (ALGODÓN) y MIXED FABRICS (TEJIDOS DE MEZCLA).

CUIDADO ANTIARRUGAS (CREASE CARE)

- Esta función reduce las arrugas
- Esta función se configura automáticamente cuando sólo se selecciona el ciclo MIXED FABRICS (TEJIDOS DE MEZCLA), pero no puede cancelarse.

● ALARMA (BEEP)

Presione el botón BEEPER (Alarma sonora) para ajustar el volumen de las señales sonoras, desde alto hasta desactivado.

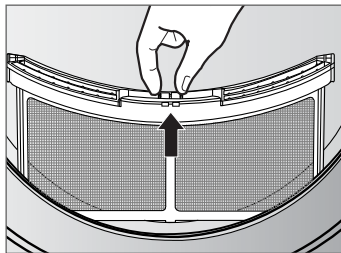
Cuidado de la secadora

Limpié el filtro de pelusas

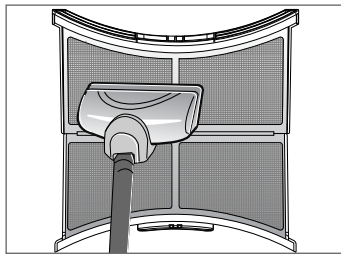
Para mantener un caudal de aire adecuado y un funcionamiento óptimo de la secadora, es importante vaciar el filtro de pelusa entre una carga y otra. Si se enciende la luz CLEAN FILTER (Limpiar filtro) durante un ciclo y se emite una alarma sonora, detenga la secadora y vacíe de inmediato el filtro.

1. Abra la puerta.

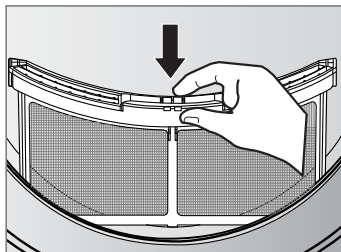
2. Extraiga el filtro.



3. Abra el filtro y retire la pelusa de las superficies del filtro con los dedos. Si le resulta difícil retirar la pelusa o el material del filtro presenta signos de estar obstruido, siga las instrucciones de limpieza que se indican a continuación.



4. Presione el filtro para cerrarlo y vuelva a colocarlo en la secadora.
-Haga presión en el filtro para insertarlo totalmente y evitar que interfiera con la puerta.



5. Cierre la puerta.

Limpié el filtro de pelusa con agua templada. Sequélo bien antes de volver a colocar.

Limpié el filtro de pelusas durante un ciclo

Si la luz CLEAN FILTER (Limpiar filtro) parpadea y se emite una alarma sonora durante el ciclo, limpie el filtro de inmediato.

1. Presione el botón de encendido (POWER) para parar la secadora. Vuelva a presionar el botón para encender la secadora.
2. Gire el SELECTOR DE CICLO para seleccionar el ciclo COOL AIR (Aire frío).
3. Presione el botón START/PAUSE (Encendido/Pausa) para poner en marcha la secadora.
4. Deje en marcha la secadora en el ciclo COOL AIR durante 5 minutos para enfriarla y, a continuación, abra la puerta y limpie el filtro de pelusa.

Nota

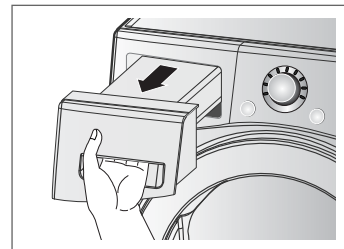
Si la secadora se detiene en mitad de un ciclo, el filtro de pelusa podría tener una alta temperatura. Si no sigue estas instrucciones de enfriado, se podrían producir lesiones personales.

Vacíe el contenedor de agua

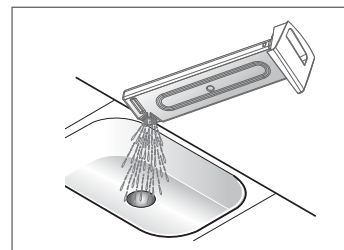
Si la secadora no está conectada a una tubería de desagüe doméstica, el depósito de agua capturaré el agua que se obtiene del proceso de secado. Dicho depósito se debe vaciar entre carga y carga. De lo contrario, el rendimiento del secado podría ser insuficiente.

La luz EMPTY WATER (Vaciar agua) se encenderá y se activará una alarma si el contenedor llegase a llenarse durante un ciclo. En tal caso, el depósito de agua debería vaciarse de inmediato, aunque bajo ningún concepto deberá seguir usando la secadora durante más de una hora.

1. Tire del asa de la parte frontal del cajón para extraer el depósito.



2. Tire del asa de la parte frontal del cajón para extraer el depósito.



3. Vacíe el agua en el fregadero.

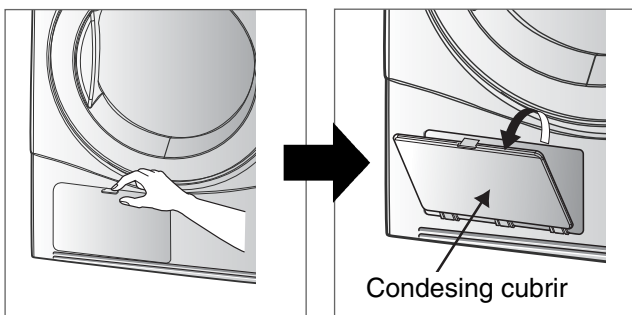
4. Presione el botón START/PAUSE (Encendido/Pausa) para reanudar el ciclo.

Cuidado de la secadora

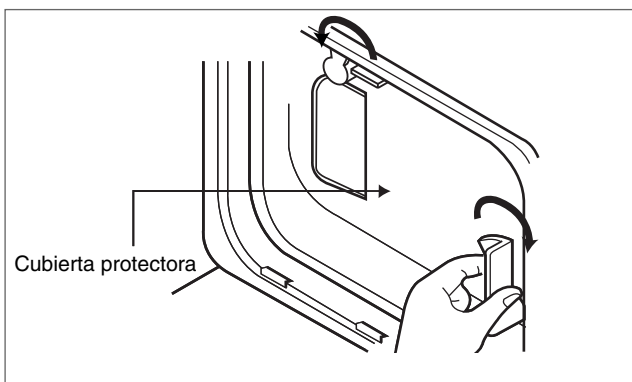
Condensador

El condensador es una pieza muy importante de la secadora. Aquí es donde se extrae la humedad del aire, por lo que no es preciso contar con una salida de aire. Si el mantenimiento del condensador no se realiza correctamente, el consumo energético y el tiempo de secado aumentarán enormemente. El condensador deberá limpiarse 3 o 4 veces al año o siempre que parpadee la luz CLEAN CONDENSER (Limpiar condensador).

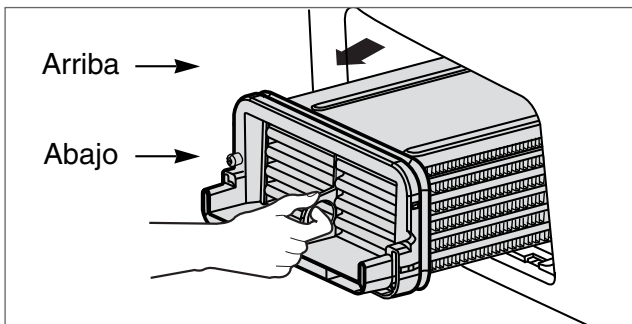
1. Presione la pestaña y abra la tapa del condensador.



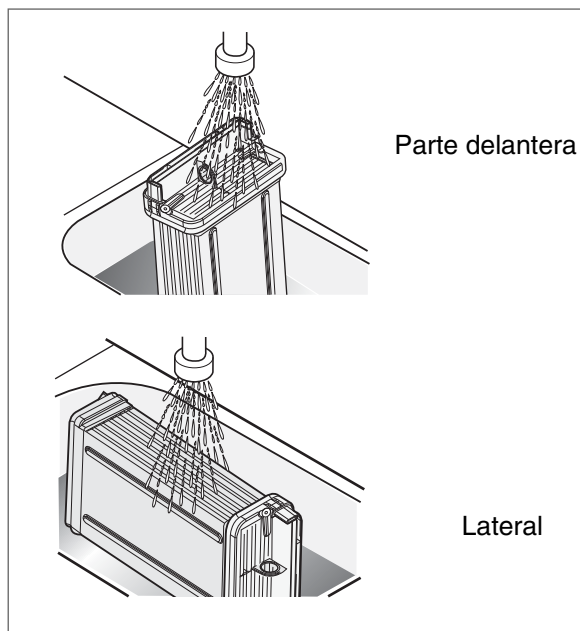
2. Gire las palancas de bloqueo en un lado y otro de la placa interna para desbloquearla. A continuación, extraiga la placa de la abertura.



3. Deslice el condensador con cuidado para extraerlo del compartimento, tirando con los dedos de la anilla situada en el centro del mismo. Tenga cuidado a la hora de manipular el condensador y evitar así daños que reduzcan su eficacia.



4. Coloque el condensador bajo agua corriente para lavarlo bien, tanto laterales como los extremos.



5. Deslice el condensador limpio en el compartimento. Asegúrese de que está orientado del modo que se muestra en la ilustración del paso 3.

6. Inserte la placa interna en la abertura delante del condensador y gire las pestañas de bloqueo para fijarla en su lugar. A continuación, cierre la tapa delantera.

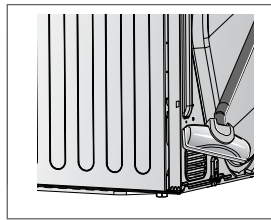
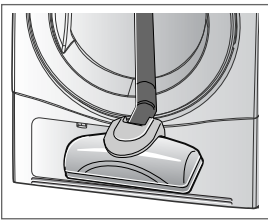
⚠ PRECAUCIÓN

- NUNCA ponga en marcha la secadora sin el condensador en su lugar.
- No ponga en marcha la secadora cuando el condensador esté sucio o atorado. Si lo hace, aumentarán el consumo energético y el tiempo de secado.
- Manipule el condensador con cuidado. No utilice objetos afilados o duros para limpiar el condensador, ya que podría estropearse.
- No ponga en marcha la secadora cuando el condensador esté estropeado. Si lo hace, se podrían producir fugas y, consecuentemente, daños a la propiedad.

Cuidado de la secadora

● **Rejilla de ventilación y Rejilla de entrada de aire frío**

Utilice un aspirador para limpiar la rejilla de ventilación frontal y la entrada de aire frío de la parte posterior. Si no se retiran las pelusas o la suciedad almacenadas, se reducirá el caudal de aire y aumentarán el consumo energético y el tiempo de secado.



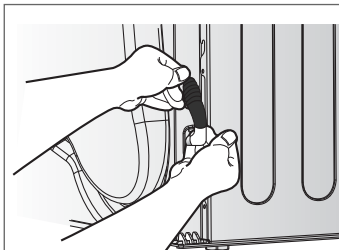
Nota

El aire caliente es expulsado a través de la rejilla de ventilación

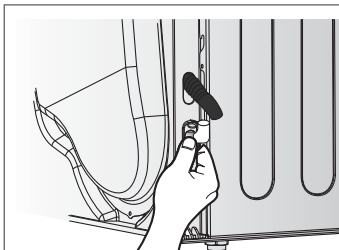
● **Vaciado del agua condensada**

El agua condensada es bombeada hasta el depósito, el cual se deberá vaciar en cada carga. Si dispone de un desagüe en casa, este agua puede bombearse a través de la tubería de drenaje para no tener que utilizar el depósito.

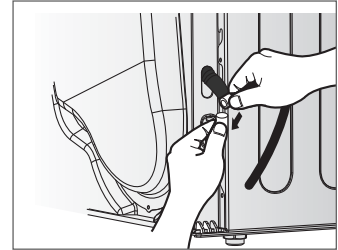
1. Deslice la conexión del desagüe por la abertura que se encuentra en la parte posterior derecha de la secadora, observando la secadora desde atrás.



2. Desconecte la manguera que va hasta el depósito.



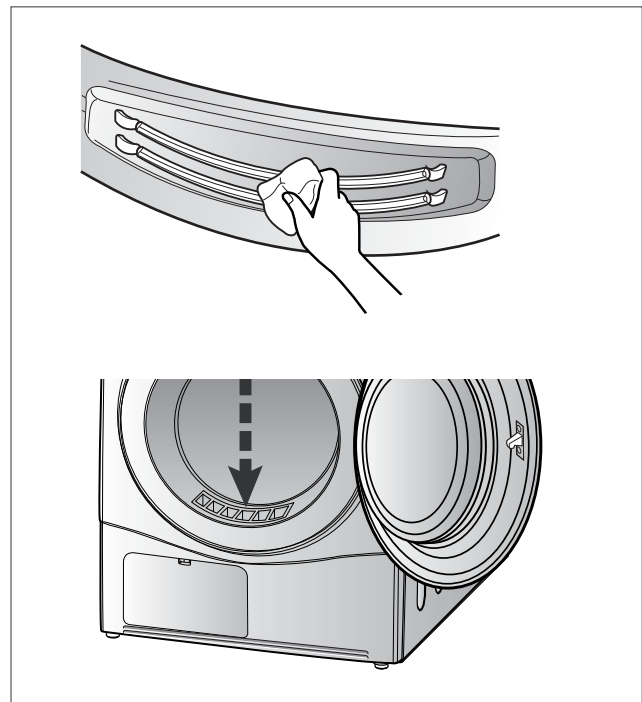
3. Conecte el conducto de drenaje externo suministrado con la secadora. Coloque este conducto en una tubería de desagüe permanente y fíjelo para que no se suelte.



● **Sensor de humedad**

La unidad de control emplea este sensor para medir la humedad remanente en la ropa. Si el sensor se ensucia, el control no podrá medir la humedad y la secadora se apagará antes de que la ropa esté seca.

Limpie las barras del sensor como se muestra a continuación para mantener un rendimiento óptimo de los ciclos de secado con sensor.



Consejos adicionales para un uso inteligente

● Guía para el secado

Prendas de lana

Estírelas hasta que recuperen su forma original y séquelas extendidas.

Materiales tejidos y de rizo

Algunos materiales tejidos y de rizo pueden encoger, dependiendo de su calidad.

Prendas inarrugables y sintéticas

No sobrecargue la secadora.
Saque las prendas inarrugables en cuanto se detenga la secadora para reducir las arrugas.

Ropa de niño y camisones

Compruebe siempre las instrucciones del fabricante.

Goma y plásticos

No seque ningún artículo de, o que contenga, goma o plásticos como:

- a) Delantales, baberos y fundas de silla
- b) Cortinas y manteles
- c) Alfombras de baño

Fibra de vidrio

No seque artículos de fibra de vidrio en la secadora. Las partículas de vidrio que quedan en la secadora podrían quedar adheridas a su ropa la siguiente vez que utilice la secadora e irritar la piel.















Etiquetas sobre el cuidado de las prendas

Las prendas tienen sus etiquetas con recomendaciones de lavado, por lo que se recomienda el secado según las etiquetas de la prenda.

No sólo eso, la ropa debe clasificarse según el tamaño y el tipo de tejido.

No sobrecargue la secadora para ahorrar energía y tiempo, y para unos mejores resultados de secado.

A continuación figuran las etiquetas de cuidado de los tejidos.

Símbolos	Instrucciones
	Secado
	Secado en secadora
	Inarrugable/ Resistente a las arrugas
	Suave / Delicado
	No secar en secadora
	No secar
	Temperatura alta
	Temperatura media
	Temperatura baja
	Sin calor / aire
	Secar en cuerda / colgar para secar
	Dejar escurrir
	Secar en horizontal
	A la sombra

Consejos adicionales para un uso inteligente

Piezas de repuesto

Las piezas de repuesto que necesite se proporcionan según los términos de la garantía. Los componentes cubiertos por la garantía se proporcionan gratis. Si la garantía ha expirado, las piezas de repuesto deben adquirirse en el servicio técnico.

Cómo deshacerse de la secadora

Es aconsejable que se deshaga de la secadora de manera segura para evitar el riesgo de lesiones a sus hijos.

Se debe quitar la puerta, la tapa y otros elementos que sobresalgan y se debe cortar el cable de corriente para evitar su futuro uso. A continuación, se debe desechar la secadora de manera segura.

Contacto con el servicio técnico

Si tiene algún problema con la secadora, consulte primero la guía para la solución de problemas. En caso de encontrarse con un problema que no pueda resolver, póngase en contacto con un centro de servicio autorizado o llame al 800-243-0000.

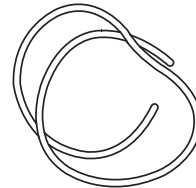
Una persona del servicio técnico le hará preguntas como las siguientes:

1. Su nombre, dirección y código postal.
2. Su número de teléfono.
3. Descripción del problema.
4. El número de modelo y número de serie de la secadora.
5. La fecha de compra.

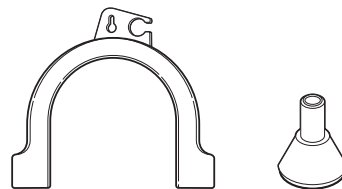
Accesorios

La secadora viene con los accesorios siguientes:

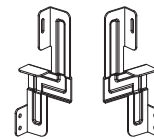
1. Manguera de vaciado del agua de condensación



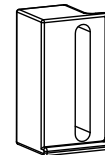
2. Soporte de la manguera



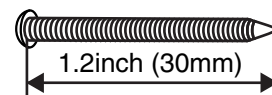
3. Cesto de la secadora (2EA)



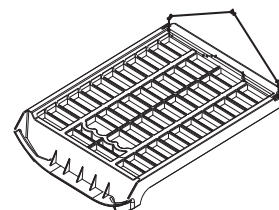
4. Soporte de apoyo (2EA)



5. Tornillos (4EA)



Kit de superposición



Guía para la solución de problemas

Consejos para la solución de problemas

Ahorre tiempo y dinero! Primero revise las tablas en las siguientes páginas quizás no necesite llamar a servicio.

1. Problema: Mi Secadora no Arranca

Pregunta	Qué Hacer
• Está la Secadora conectada?	Confirme que el enchufe de la secadora esté completamente insertado en el tomacorriente del cuarto de lavado.
• Está el fusible fundido, o el disyuntor disparado?	Verifique la caja de fusibles/disyuntores del cuarto de lavado de su casa y cambie los fusibles o reconecte los disyuntores.

2. Problema: Mi Secadora no Calienta

Pregunta	Qué Hacer
• Está el fusible fundido, o el disyuntor disparado?	Si el fusible está fundido o el disyuntor disparado, la secadora quizás de vueltas pero no calienta. Verifique la caja de fusibles/disyuntores del cuarto de lavado de su casa y cambie los fusibles o reconecte los disyuntores.

3. Problema: Hay Manchas de Grasa en la Ropa

Pregunta	Qué Hacer
• Siguió usted las instrucciones del empaque del suavizante de telas?	Confirme y siga las instrucciones provistas con el suavizante de telas.
• Está usted secando ropa limpia y ropa sucia juntas?	Asegúrese de usar su secadora para secar prendas limpias solamente, debido a que prendas sucias pueden manchar la ropa limpia que están en la misma carga o colocadas posteriormente en el tambor de lavado.
• Estaban sus prendas completamente limpias?	Las manchas en la ropa seca son manchas que no fueron eliminadas durante el proceso de lavado. Por favor revise y confirme que se están siguiendo las instrucciones de lavado y que la ropa está quedando completamente limpia.

Guía para la solución de problemas

4. Problema : Hay Pelusa en la Ropa

Pregunta	Qué Hacer
<ul style="list-style-type: none">• Está el filtro de pelusa lleno?	Por favor refiérase a la sección del manual sobre la limpieza del filtro de pelusa, y confirme que filtro de pelusa esté limpio. Es importante que el filtro de pelusa esté limpio antes de una nueva carga.
<ul style="list-style-type: none">• Clasificó adecuadamente la carga de ropa?	Para reducir la cantidad de pelusa en una carga de ropa, clasifique los productores de pelusas (como toalla vellosa blanca de algodón) separadamente de las ropas que puedan coger pelusas (como pantalones negros de lino).
<ul style="list-style-type: none">• Tiene la ropa exceso de electricidad estática?	Vea los siguientes comentarios bajo: Hay estática en mi ropa después del secado.
<ul style="list-style-type: none">• Sobrecargó su secadora?	Divida las cargas grandes en cargas pequeñas.
<ul style="list-style-type: none">• Colocó algún papel, servilleta u otro material similar en la carga?	Algunas veces se olvida retirar de los bolsillos del pantalón un pedazo de papel o servilleta, y este papel, servilleta o material similar puede causar exceso de pelusa en una carga. Confirme que los bolsillos de los pantalones, camisas y de otros artículos estén vacíos antes del lavado y secado.

5. Problema: Ocurre Estática en la Ropa después del Secado

Pregunta	Qué Hacer
<ul style="list-style-type: none">• Utiliza suavizante de tela?	Trate usando un suavizante de telas para reducir la electricidad estática.
<ul style="list-style-type: none">• Secó en exceso la carga?	El secado en exceso de la carga puede causar una acumulación de electricidad estática. Trate usando un suavizante de telas o ajuste las características y utilice un tiempo de secado más corto.
<ul style="list-style-type: none">• Está secando telas sintéticas, planchado permanente y mezclas?	Estos materiales pueden causar acumulación de estática en una carga de ropa seca. Trate usando un suavizante de telas.

6. Problema: El Tiempo de Secado no es Consistente

Pregunta	Qué Hacer
<ul style="list-style-type: none">• Está usando calor consistente y tamaños de cargas consistentes?	El tiempo de secado para una carga varía dependiendo de las características del calor, tipo de calor usado (eléctrico, gas natural o LP), el tamaño de la carga, el tipo de tela, la humedad de las prendas, y la condición de los ductos de escape y filtro de pelusa.

Guía para la solución de problemas

7. Problema: Las Prendas Toman Mucho Tiempo en Secarse

Pregunta	Qué Hacer
• Clasificó sus cargas de ropa adecuadamente?	Separe los artículos pesados de los livianos cuando clasifique las cargas.
• Está secando cargas grandes de ropa pesada?	La ropa pesada tarda más tiempo en secarse porque tienden a retener más humedad. Para ayudar a reducir y mantener tiempos de secado más consistentes para telas grandes y pesadas, separe estos artículos en cargas más pequeñas de un tamaño consistente.
• Están los controles de secado ajustados correctamente ?	Use el ajuste de control adecuado para el tipo de carga que está secando.
• Está el filtro de pelusa limpio antes de cada carga nueva?	Por favor confirme que el filtro de pelusa esté limpio antes de cada carga nueva.
• Está el fusible fundido, o el disyuntor disparado?	Verifique la caja de fusibles/disyuntores del cuarto de lavado de su casa y cambie los fusibles o reconecte los disyuntores.
• Sobrecargó su secadora?	Divida sus cargas grandes en cargas más pequeñas.
• Muy poca carga en su secadora?	Si sólo está secando pocos artículos, añada unas cuenta piezas más para ayudar a una adecuada acción giratoria.

8. Problema: Las Prendas están Arrugadas

Pregunta	Qué Hacer
• Está secando demasiado su ropa?	El secar demasiado una carga puede conducir a que se arrugue la ropa. Trate con un tiempo de secado más corto, y remueva las prendas cuando aún tengan algo de humedad.
• Está usted removiendo su ropa de la secadora inmediatamente después que el ciclo de secado es completado?	Remueva su ropa de la secadora después de finalizado el ciclo de secado y cuelgue o doble las prendas.

9. Problema: Las Prendas se Encogen

Pregunta	Qué Hacer
• Está usted siguiendo las instrucciones sobre el cuidado de sus prendas.	Para evitar encogimiento, por favor siga cuidadosamente las instrucciones sobre cuidado y uso de sus prendas, debido a que algunas telas se encogen naturalmente cuando se lavan. Otras telas pueden ser lavadas pero se encogen cuando son secadas en secadoras.

Guía para la solución de problemas

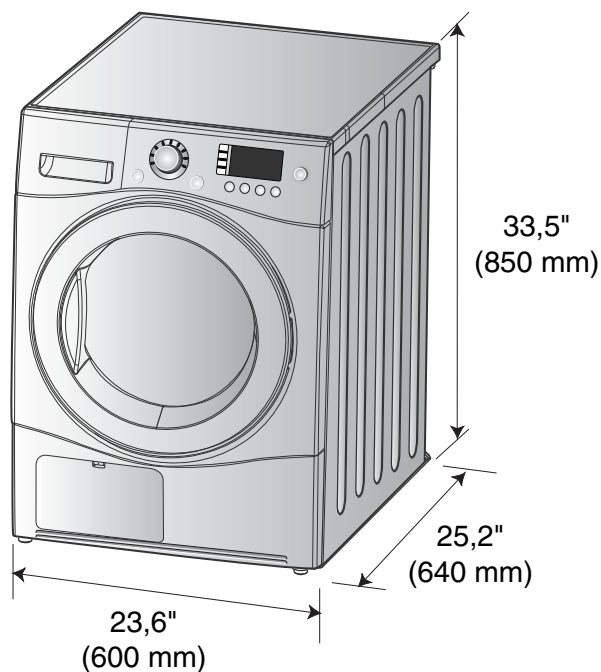
● Modo de error

- dE La pantalla LED mostrará el símbolo dE si la puerta está abierta. Debe cerrar la puerta y pulsar el botón Start (Inicio) para volver a iniciar la operación.
- $EE1,EE3,LE$ Si continúa experimentando errores en pantalla, desenchufe el cable de alimentación y llame al Centro de asistencia.

● No funciona la luz del tambor

- Póngase en contacto con el servicio técnico

Datos técnicos



- Nombre : Secadora Eléctrica
 - Suministro de Energía : Favor de consultar la etiqueta de medición referente a la información detallada
 - Tamaño : 23,6 X 25,2 X 33,5 (inch)
 - Capacidad de la Secadora : IEC 4.2 cu.ft.
 - Peso : 105 lb (47,5kg)
- * Las especificaciones son sujetas a cambio por el fabricante.

Términos de la garantía

BÚSQUEDA DE ASISTENCIA SOBRE LA GARANTÍA

Encontrará la garantía de su secadora en la parte final de este manual. El servicio de garantía está disponible contactando con su Centro de Servicio LG más próximo. Si este producto se instala y se opera siguiendo las instrucciones de este manual, LG reparará o recambiará cualquier pieza defectuosa en material o mano de obra a lo largo del período cubierto por la garantía, comenzando desde el día de compra.

Llame al 800-243-0000 24/7/365. Tenga a mano su número de modelo y de serie.

⚠ ADVERTENCIA

Para su seguridad, debe seguir las recomendaciones de este manual. Para reducir el riesgo de incendio o explosión, o choque eléctrico, o para prevenir daños a la propiedad, lesiones personales, o muerte cuando use su artefacto, siga las precauciones básicas, incluyendo las siguientes.

Restricción de la Garantía : Si la secadora es utilizada para otro propósito que no sea el uso familiar privado, toda cobertura de la garantía es efectiva por sólo 90 días.

Necesitará el números de modelo y de serie completo al solicitar la garantía de servicio. Es necesaria la prueba de la compra (ticket o recibo).

Utilice el siguiente espacio para anotar el números de modelo y de serie de su nueva secadora LG.

Modelo No. _____

No. de Serie _____

Fecha de Adquisición _____

* Grape su recibo AQUÍ.

Términos de la garantía

LG ELECTRONICS, INC. GARANTÍA LIMITADA DE LA SECADORA LG -EE. UU.



Su secadora LG será reparada o reemplazada, a discreción de LG, si se comprueba que existe un defecto en el material o la mano de obra bajo condiciones de uso normales, durante el período de garantía ("Período de garantía") establecido más abajo, vigente desde la fecha ("Fecha de compra") de la compra del cliente original de producto. Esta garantía es vlida únicamente para el comprador original del producto y cuando se usa en EE. UU., incluyendo Alaska, Hawaii, y los territorios de los EE. UU., exclusivamente.

<p>PERÍODO DE GARANTÍA: MANO DE OBRA: Un año desde la Fecha de compra. PIEZAS: Un año desde la Fecha de compra.</p> <p>Las unidades de reemplazo y piezas de reparación podrían ser nuevas o refabricadas.</p> <p>Las unidades de reemplazo o piezas de reparación están garantizadas por la porción restante del período de garantía de la unidad original.</p>	<p>CÓMO SE ADMINISTRA EL MANTENIMIENTO: Mantenimiento en el hogar "In-Home": Guarde la factura fechada del distribuidor o la boleta de entrega como evidencia de la Fecha de compra como prueba para la garantía, y entregue una copia de la factura al técnico de mantenimiento al momento que se presta el mantenimiento. Llame al 1-800-243-0000 y escoja la opción adecuada para ubicar a su Centro de Mantenimiento Autorizado LG más cercano. O visite nuestro sitio Web en: http://www.lgservice.com.</p>
---	--

ESTA GARANTÍA REEMPLAZA CUALQUIER OTRA, EXPRESA O IMPLÍCITA, INCLUYENDO SIN LIMITACIÓN, CUALQUIER GARANTÍA DE COMERCIALIZACIÓN O ADECUACIÓN PARA UN PROPÓSITO DETERMINADO. EN LA MEDIDA REQUERIDA POR LA LEY, CUALQUIER GARANTÍA IMPLÍCITA SE LIMITA EN SU VIGENCIA AL PERÍODO DE GARANTÍA EXPRESA INDICADO MÁS ARRIBA. NI EL FABRICANTE NI EL DISTRIBUIDOR DE LOS EE. UU. SERÁN RESPONSABLES POR DAÑOS INCIDENTALES, CONSECUENCIALES, INDIRECTOS, ESPECIALES O PUNITIVOS DE CUALQUIER NATURALEZA INCLUYENDO SIN LIMITACIÓN, PRDIDA DE GANACIAS O INGRESOS, O CUALQUIER OTRA CLASE DE DAOS, CONTRACTUALES, EXTRA CONTRACTUALES, O DE CUALQUIER TIPO. Algunos estados no permiten la exclusión o limitación de daños incidentales o consecuentes o limitación en la duración de una garantía implícita, de modo que la exclusión o limitación indicada anteriormente podría no aplicar en su caso. Esta garantía le brinda derechos legales específicos y podría también tener otros derechos que varían según el estado.

ESTA GARANTÍA LIMITADA NO APLICA A:

- Viajes de mantenimiento desde su hogar para entrega, recepción y/o instalación del producto, instrucción o reemplazo de fusibles del hogar o cableado adecuado o corrección de reparaciones no autorizadas.
- Los daños o problemas operativos que resulten de la negligencia en el uso, el abuso, el funcionamiento fuera de las especificaciones medioambientales o inconsistentes con los requisitos de precauciones establecidos en la Guía de funcionamiento, accidente, insectos, incendio, inundación, instalación inadecuada, casos de fuerza mayor, modificación o alteración no autorizada, corriente o voltaje incorrectos, o uso comercial, o uso diferente al indicado.

El costo de reparación o reemplazo bajo estas circunstancias excluidas será responsabilidad del cliente.

NÚMEROS DE CENTROS INTERACTIVOS DE CLIENTE

<p>Para obtener Asistencia para el cliente, información del producto o mantenimiento o distribuidor autorizado:</p>	<p>Llame al 1-800-243-0000 (24 horas al día, 365 días al a), y seleccione la opción adecuada a partir del menú. O visite nuestro sitio Web en: http://www.lgservice.com.</p>
--	---

PARA CONTACTAR A LG ELECTRONICS POR CORREO:

LG Customer Interactive Center
 P. O. Box 240007
 201 James Record Road
 Huntsville, Alabama 35824
 ATTN: CIC

Información de registro del producto

Modelo: _____
Número de serie: _____
Fecha de compra: _____

El modelo y número de serie figuran en la placa de clasificación en la parte interna de la puerta del frente.

Memo

Memo
