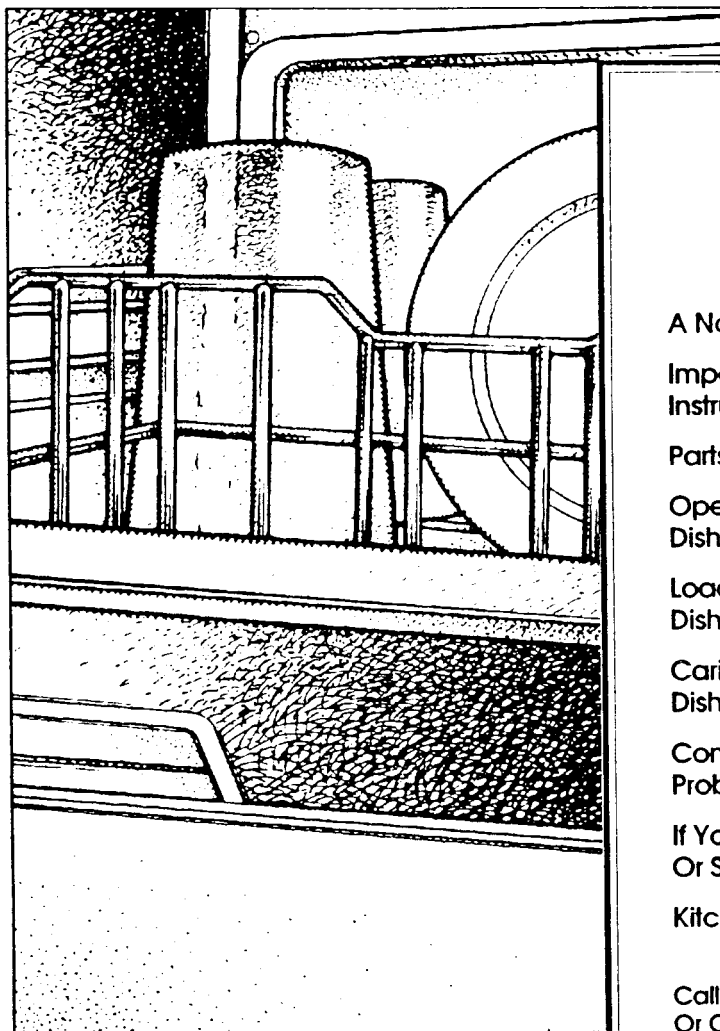


# KitchenAid

FOR THE WAY IT'S MADE.™



## Undercounter Dishwasher

Model KUDN230Y

A Note To You .....	2
Important Safety Instructions .....	3
Parts And Features .....	5
Operating Your Dishwasher .....	7
Loading Your Dishwasher .....	18
Caring For Your Dishwasher .....	22
Common Dishwashing Problems .....	25
If You Need Assistance Or Service .....	29
KitchenAid Warranty .....	32

Call Us With Questions  
Or Comments:

**1-800-422-1230**

# Use and Care Guide

# A Note To You

Thank you for buying a KitchenAid home appliance.

You have purchased a quality, *world-class* home appliance. Years of engineering experience have gone into its manufacturing. To ensure that you will enjoy many years of trouble-free operation, we have developed this Use and Care Guide. It is full of valuable information on how to operate and maintain your home appliance properly and safely. Please read it carefully. Also, please complete and mail the Ownership Registration Card provided with your home appliance.

**Your safety is important to us.**

This guide contains safety symbols and statements. Please pay special attention to these symbols and follow any instructions given. Here is a brief explanation of the use of each symbol.

## **⚠ WARNING**

This symbol will help alert you to such dangers as personal injury, burns, fire and electrical shock.

## **⚠ CAUTION**

This symbol will help you avoid actions which could cause product damage (scratches, dents, etc.) and damage to your personal property.

**Our Consumer Assistance Center telephone number, 1-800-422-1230, is toll-free, 24 hours a day.**

If you ever have a question concerning your home appliance's operation, or if you need service, feel free to call our toll-free Consumer Assistance Center telephone number for help. When calling, you will need to know your appliance's complete model number and serial number. You can find this information on the model and serial number plate (see diagram on page 6). For your convenience, we have included a handy place below for you to record these numbers, as well as purchase information. You will need this information if you ever require service. Keep this book and the sales slip together in a safe place for future reference.

**NOTE:** You must provide proof of purchase or installation date for in-warranty service.

**Model Number** \_\_\_\_\_

**Builder/Dealer Name** \_\_\_\_\_

**Serial Number** \_\_\_\_\_

**Address** \_\_\_\_\_

**Date Purchased** \_\_\_\_\_

**Phone** \_\_\_\_\_

**Date Installed** \_\_\_\_\_

**Don't forget, KitchenAid offers a full line of quality home appliances.**

Built-in Refrigerators

Trash Compactors

Ranges & Cooktops

Freestanding Refrigerators

Hot Water Dispensers

Microwave Ovens

50-Pound Ice Makers

Food Waste Disposers

Washers & Dryers

Dishwashers

Built-in Ovens

Mixers

For more information on these appliances, or the one you have purchased, call our toll-free Consumer Assistance Center telephone number, **1-800-422-1230**.

# Important Safety Instructions

## **⚠ WARNING**

To reduce the risk of fire, electrical shock, or injury when using your dishwasher, follow basic precautions including the following:

- Read all instructions before using the dishwasher.
- Use your dishwasher only for the uses described in this manual.
- **DISHWASHER MUST BE ELECTRICALLY GROUNDED.** Read the Installation Instructions for details.
- When discarding an old dishwasher, always remove the door to prevent accidental entrapment or suffocation.
- Use **ONLY** detergents and rinse agents recommended for use in a dishwasher.
- Store dishwasher detergent in a cool, dry place **WHERE CHILDREN CAN'T REACH IT.**
- When loading items to be washed:
  - Load sharp knives with the handles up to reduce risk of cut-type injuries.
  - Locate sharp items so that they are not likely to damage the door seal.
- **DO NOT** let children play in or on the dishwasher.
- **DO NOT** wash plastic items unless marked "Dishwasher Safe" or the equivalent. If not marked, check manufacturer's recommendations.
- **DO NOT** use your dishwasher unless all enclosure panels are properly in place.
- **DO NOT** sit on, stand on or abuse the dishwasher door or dishracks.
- **DO NOT** tamper with controls.
- If hot water has not been used recently (usually two weeks or longer), hydrogen gases may build up in the water heater and the hot water pipes. **HYDROGEN GAS IS EXPLOSIVE.** To prevent injury or damage, before using your dishwasher, turn on all hot water faucets and allow water to run for several minutes. This will allow gases to escape. Do not smoke or use any open flame near the faucet while it is open.
- Disconnect electrical power to the dishwasher before attempting to service.
- **DO NOT** store or use gasoline or other flammable vapors and liquids in the vicinity of this or any other appliance. The fumes can create a fire hazard or explosion.

**–SAVE THESE INSTRUCTIONS–**

## Help us help you

Please:

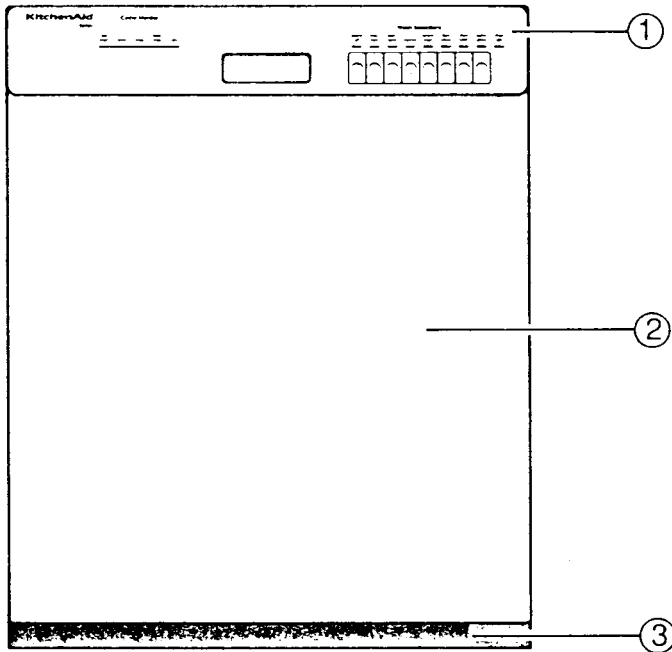
- Have your dishwasher installed by a qualified installer.
  - Install where dishwasher is protected from the elements. Protect against possible rupture of fill valve by freezing. Such ruptures are not covered by the warranty. See winter storage information on page 23.
  - Install and level dishwasher on a floor that will hold the weight, and in an area suitable for its size and use.
  - Properly connect dishwasher to electricity, water and drain.\*
  - Remove all shipping plugs from hoses and connectors (such as drain connector on a disposer) before installing.\*
  - Remove all hang tags and temporary labels.
  - Make sure dishwasher is not used by anyone unable to operate it properly.
  - Properly maintain dishwasher. See page 22.
- \*See Installation Instructions for complete information.

# Parts And Features

This section tells you what features your dishwasher has and where they are located. Use it to become familiar with where all parts and features are located and what they look like.

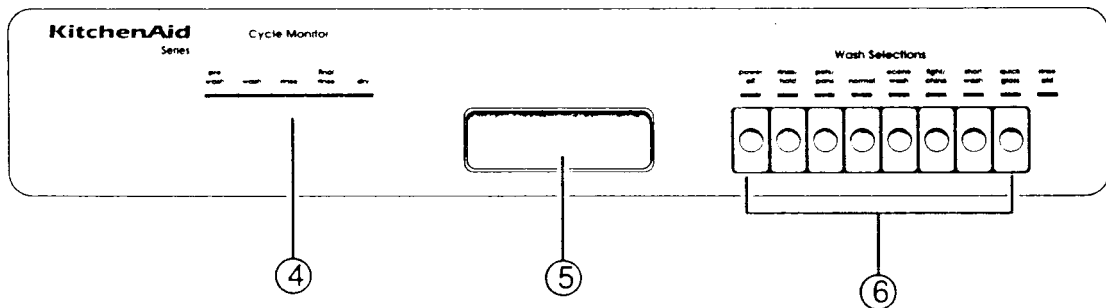
Your KitchenAid dishwasher is equipped with a unique sound reduction system. This system uses insulation designed to reduce many common sounds heard while a dishwasher is operating.

## Closed View



1. Control panel
2. Front door panel
3. Toe kick panel
4. Cycle monitor
5. Door handle
6. Wash selection buttons

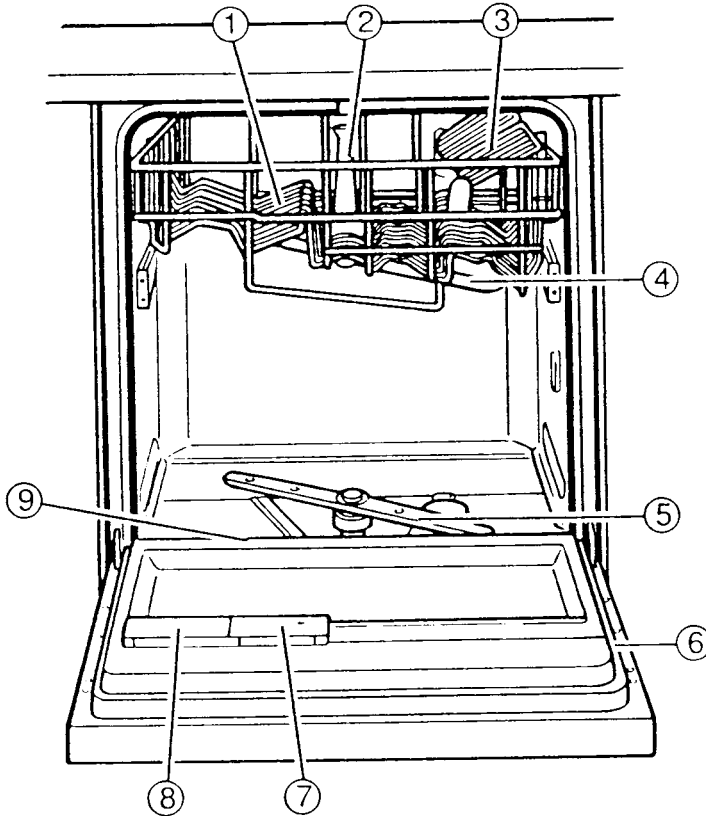
## Control Panel



continued on next page

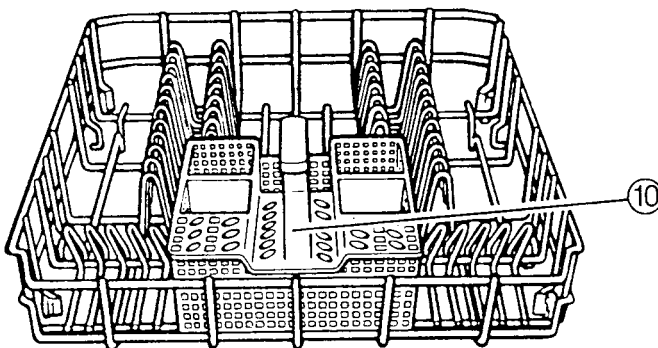
# Parts And Features

## Open View



1. 2-Position adjustable upper rack
2. Upper spray arm pressure adjustment
3. Multi-function holders
4. Upper spray arm
5. Lower spray arm
6. Model and serial number label
7. Automatic rinse aid dispenser
8. Detergent dispenser
9. Removable filter
10. Cutlery/silverware basket

## Lower Rack View



# Operating Your Dishwasher

This section tells you how to operate the dishwasher. Operating your dishwasher properly enables you to obtain the best possible results.

## In This Section

Before Starting Your Dishwasher .	7	Using The Detergent Dispenser .	11
Starting Your Dishwasher .....	7	Using The Rinse Aid Dispenser .	13
Wash Selection Chart .....	8	Cleaning The Filter System .....	14
The Cycle Monitor .....	9	Heating The Water .....	15
Changing A Cycle Setting .....	10	Quiet Operating Tips .....	15
Cancelling A Cycle .....	10	Saving Energy .....	16
Adjusting The Upper Spray Pressure .....	11	Special Tips On Dishwasher Use .....	16

## Before Starting Your Dishwasher

1. Make sure the filter screen is **clean**. See page 14.  
**NOTE:** A clean filter provides the best washing performance.
2. Load top rack, bottom rack, and silverware basket. See pages 18-21.
3. Spin upper and lower spray arms with lower rack in place to make sure nothing prevents arms from turning freely.
4. Add detergent. See page 11.
5. Check rinse aid dispenser. See page 13.
6. Close door. Latch door by firmly pushing against the top of the door.
7. Run hot water at sink nearest dishwasher until water is hot. Turn off water.

## Starting Your Dishwasher






The dishwasher will wash dishware according to the selections you make on the control panel.

1. Select desired cycle from Wash Selection chart on pages 8 and 9.
2. Push desired Wash Selection button firmly, then release. Holding the button in causes the timer to go past the cycle you selected
3. The indicator light above the cycle button and the indicator light above the POWER OFF button both glow when the selected cycle starts.



**NOTE:** The dishwasher completes the selected cycle automatically. The cycle is finished when the Cycle Monitor is black. **The indicator lights will remain on.** Push the POWER OFF button to turn off the dishwasher.



# Wash Selection Chart

Cycle	Description	A "*" shows what steps are in each cycle						Cycle Time* (Minutes)	Water Usage (gallons)
		Pre-wash	Wash	Rinse	Extra Rinse	Final Rinse	Dry		
rinse/hold 	Use this cycle to rinse partial loads of dishware until a full load is accumulated.	*						9	2 1/8
pots/pans 	Use this cycle to soak, wash, and dry hard-to-clean heavily soiled pots, pans, and casseroles along with regular tableware.	*	*	*	*	*	*	82	7 1/8
normal 	Use this cycle to wash and dry daily loads that have moderate amounts of food soil which may be dried on.	*	*	*		*	*	78	5 3/4
econo wash 	Use this cycle to wash and dry daily loads that have moderate amounts of food soil which may be dried on. This cycle uses a lower temperature than the Normal cycle.	*	*	*		*	*	68	5 3/4
light/china 	Use this cycle to wash and dry daily loads that have light amounts of food soil.		*	*		*	*	66	4 1/2



Cycle	Description	A"•" shows what steps are in each cycle						Cycle Time* (Minutes)	Water Usage (gallons)
		Pre-wash	Wash	Rinse	Extra Rinse	Final Rinse	Dry		
short wash 	Use this cycle to rapidly wash and dry small loads that have moderate to light amounts of food soil.		•	•		•	•	31	4½
quick glass 	Use this cycle to rapidly wash and dry small loads that have light amounts of food soil, especially glasses and cups. This cycle uses a lower temperature than the Short Wash cycle.		•	•		•	•	31	4½

\* Cycle time may be longer depending on incoming household water temperature. Times shown are based on a recommended 120°F (49°C) incoming water temperature.

## The Cycle Monitor

The Cycle Monitor allows you to follow the operation of your dishwasher. The green bar advances from left to right as the cycle progresses.

When the Cycle Monitor is black, the dishwasher has completed the cycle.

### Cycle Monitor



## Changing A Cycle Setting

You can change a setting anytime during any cycle. See Wash Selection chart for cycle descriptions.

### To change from a longer to a shorter cycle:

Push desired Wash Selection button firmly, then release. The Cycle Monitor will rapidly advance to the new cycle.

### To change from a shorter to a longer cycle:

1. Push the RINSE/HOLD button firmly, then release. The Cycle Monitor rapidly advances to the final rinse and the dishwasher drains.



2. After the Cycle Monitor goes black, open the door.

3. Check the detergent dispenser. Make sure it is properly filled for the new cycle. See page 11.

4. Close the door.

5. Push desired Wash Selection button firmly, then release. Holding the button in causes the Cycle Monitor to go past the cycle you selected.

## Cancelling A Cycle

You can cancel a cycle at anytime.

### To cancel a cycle after the pre-wash period:

1. Push the RINSE/HOLD button firmly, then release. The Cycle Monitor rapidly advances to the final rinse and the dishwasher drains.



2. After the Cycle Monitor goes black, push the POWER OFF button firmly. The indicator lights will go out.



### To cancel a cycle during the pre-wash period:

1. Push and hold the RINSE/HOLD button until the Cycle Monitor advances to WASH.



2. Release the RINSE/HOLD button. The Cycle Monitor rapidly advances to the final rinse and the dishwasher drains.

3. After the Cycle Monitor goes black, push the POWER OFF button firmly. The indicator lights will go out.



## Adjusting The Upper Spray Pressure

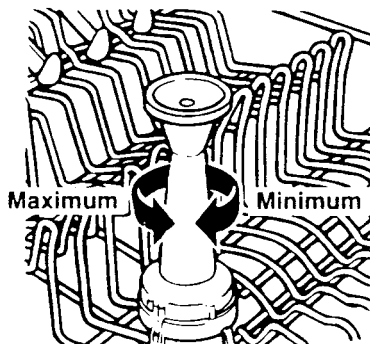
The water pressure for the upper spray arm can be adjusted for the type of dishware being cleaned.

For most loads, set the pressure to maximum:

- Turn the water inlet all the way to the left.

For partial or delicate loads the pressure should be set to minimum:

- Turn the water inlet all the way to the right.



## Using The Detergent Dispenser

**NOTE:** Use automatic dishwasher detergent only.

Never use soap, hand-dishwashing detergent, laundry detergent or laundry enzyme products. The products will produce excessive suds which could cause flooding. Use of these products will reduce washing performance.

Different brands of dishwasher detergent have different amounts of phosphorus for softening water. If water is hard and phosphorus content is low (6.0% or less), you may need to use more detergent or use a brand with a higher phosphorus content (8.7% or higher).

Add detergent to the dispenser just before starting the dishwasher. Detergent exposed to moisture over a period of time may become caked and ineffective. An open box of detergent should stay fresh for about one month. Keep detergent container tightly closed in a cool, dry place. Store detergent where children cannot reach container.

### How Much Detergent To Use

The amount of detergent needed depends on the amount of food soil on the dishware and the water hardness. See chart on page 12.

- Generally, use at least one tablespoon of automatic dishwashing detergent in Main Wash compartment.
- If you have hard water, you need to use more than one tablespoon of detergent.
- If you have naturally soft or softened water use a little less than one tablespoon of detergent.
- Excessive amounts of detergent combined with soft water may cause etching of glassware.
- If you have rinsed or pre-washed the dishware do not use more than one tablespoon of detergent.

**NOTE:** Contact your local water utility, area water softening company or state university extension agent to determine your water hardness.

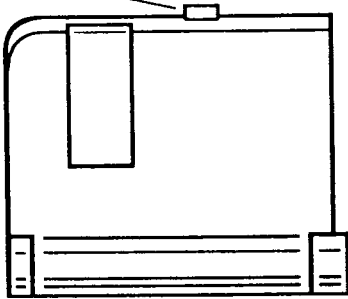
# Operating Your Dishwasher

Water Hardness	Amount of Detergent <small>(Use only the main section of the dispenser with Light/China, Short Wash and Quick Glass cycles.)</small>
Soft to Medium Hard Water 0-6 grains per gallon	Fill each section to the min. fill line. (For heavily soiled loads, fill each section to the max. fill line.)
Medium to Hard Water 6-12 grains per gallon	Fill each section to the max. fill line.

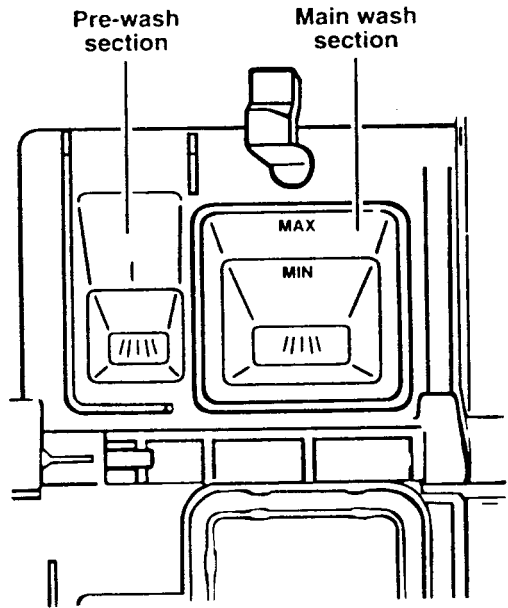
## The Detergent Dispenser

The detergent dispenser has two sections. The smaller section empties detergent into the dishwasher when you close the door. The larger section empties detergent into the dishwasher during the wash cycle.

**PUSH**  
yellow button to open.



1. If the dispenser cover is closed, open the cover by pushing the yellow button to the left.



2. Fill the dispenser section(s) with the proper amount of detergent. Fill the smaller section only for cycles which have a pre-wash.

### Pre-wash section:

Use the pre-wash section for the Pots/Pans, Normal and Econo Wash cycles.

### Main section:

Use the main section for all cycles.

3. Close the dispenser cover.

# Using The Rinse Aid Dispenser

Keep the rinse aid dispenser filled with a liquid rinse aid such as Jet-Dry®. A small amount of rinse aid is automatically released into the rinse water during the final rinse of each cycle.

**NOTE:** A rinse aid prevents water from forming droplets and drying as spots or streaks. A rinse aid also improves drying by allowing water to drain off dishware during the final rinse.

## The Rinse Aid Indicator Light

The rinse aid indicator light glows when the rinse aid dispenser needs to be filled.

You do not have to wait until the dispenser is empty to refill it, but be careful not to overfill it.

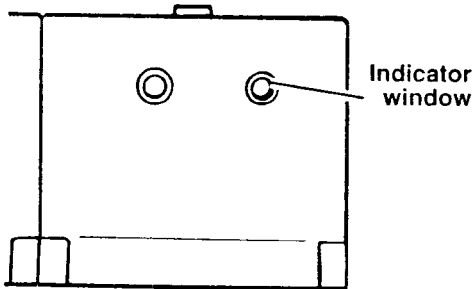
The rinse aid dispenser holds 7 fluid ounces of rinse aid. Under normal conditions, this lasts about 3 months.

©Registered Trademark of Benckiser Consumer Products, Inc.

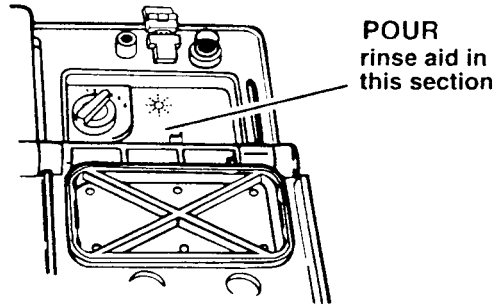
## Filling the dispenser

1. Make sure the dishwasher door is fully open.

**PUSH**  
yellow button to open.



2. Open the dispenser lid by pressing the yellow button.



3. Add rinse aid until the indicator window turns completely black.

If you overfill, excess rinse aid may overflow dispenser and cause oversudsing.

4. Clean up any spilled rinse aid with a damp cloth.

5. Close the lid until you hear it "click" when it latches.

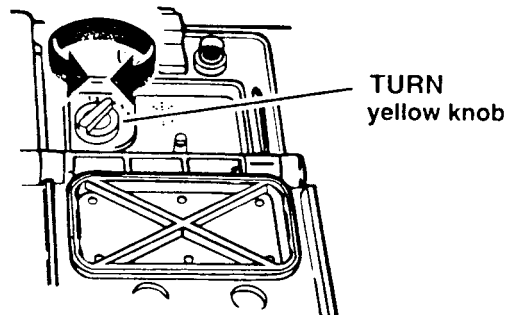
## Rinse Aid Setting

The amount of rinse aid released into the final wash can be adjusted. The factory setting is at 3. For most water conditions set the adjuster to 1 or 2.

If there are rings or calcium spots on dishware, try a higher setting (4, 5 or 6).

### To adjust setting:

1. Open the dispenser lid by pressing in the yellow button.



2. Turn the yellow knob by hand or insert a coin and turn.

3. Close the lid until you hear the lid “click” when it latches.

**NOTE:** Your dishwasher is designed to use a liquid rinse aid. **Do not** use a solid or bar-type rinse aid. Using a solid rinse aid could cause excessive sudsing in some instances.

## Cleaning The Filter System

The filter system in your dishwasher continuously filters water during the wash and rinse portions of a cycle. Food particles are trapped on the outside of the filter.

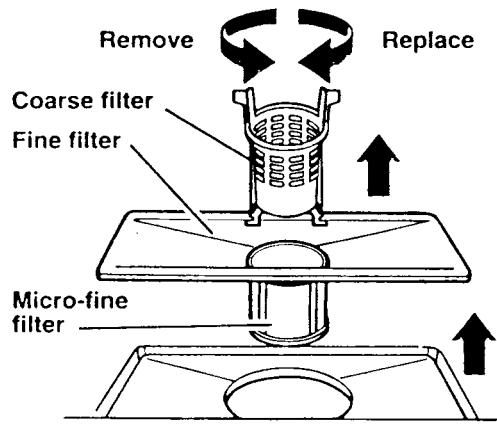
The coarse strainer prevents bones, pits and other large objects from entering the pump system. **Check** the strainer before or after each load for large items that may have mistakenly entered the dishwasher.

**NOTE: Clean the filter after each load.** A clean filter provides the best washing performance. Cleaning the filter also prevents odors from developing in the dishwasher.

### To clean filter

1. Turn the coarse filter to the left.
2. Lift the filter assembly up and out.
3. Hold the fine filter by the edges and press it down against a countertop until the coarse filter pops out. Remove the coarse filter from the fine filter.
4. Clean the filter parts under running water. Use a stiff brush, such as a hard toothbrush, to scrub the inside of the micro-fine filter.
5. Place the coarse filter back in the fine filter.

6. Place the filter assembly in the dishwasher.
7. Turn the coarse filter to the right until it locks in place.



# Heating The Water

Your dishwasher will heat water during selected portions of the cycle. This means that you can turn your home water heater down to provide a minimum of 120°F (49°C) incoming water to the dishwasher. Keeping your water heater at 120°F (49°C) rather than 140°F (60°C) saves you approximately 10% of your total household water heating energy.

## What Happens During Water Heating

The wash and final rinse portion of the cycle is extended until the water reaches the correct temperature. The pump continues to spray water during the heating period. Higher incoming water temperatures shortens the water heating time.

**NOTE:** For best dishwashing results, water should be at least 120°F (49°C) as it enters the dishwasher.

## Quiet Operating Tips

To avoid thumping and clattering noises during operation:

- Make sure lightweight load items are secured in the racks.
- Make sure pot lids and handles, pizza pans, cookie sheets, etc. do not touch dishwasher walls, interfere with spray arm rotation, or cover spray tower.
- Load dishware so they **do not** touch one another.

**NOTE:** Keep plugs in nearby sink drains during dishwasher operation. This prevents dishwasher noise from transferring through drains.

## Checking Water Temperature

1. Test water at the faucet closest to your dishwasher.
2. Run water into a glass set in the sink for at least one minute, allowing water to overflow the glass.
3. Place a candy or meat thermometer in the glass. Read the thermometer at the maximum temperature.
4. If the water temperature is too low, raise the setting on your water heater if possible.

Normal sounds you may hear while dishwasher is running:

- The fill valve opening or closing and the sound of water entering the dishwasher.
- Water being pumped out during drain portion of a cycle.
- Detergent cup opening.
- Timer clicking as it advances.
- Pump motor starting.

# Saving Energy

- Do not rinse dishware before loading.
- Adjust the temperature setting on your home water heater to provide a minimum of 120°F (49°C) incoming water to the dishwasher.
- Run the dishwasher only with a full load.
- Use the cycle most appropriate for the load.

## Special Tips On Dishwasher Use

Most tableware, cookware and silverware can be safely washed in your KitchenAid dishwasher. If you have any doubts about a particular piece of dishware, check with the manufacturer to see if it is dishwasher safe.

Material	Dishwasher Safe?	Exceptions/Special Information
Aluminum	Yes	High water temperature and detergents may affect finish of anodized aluminum.
Cast Iron	No	Seasoning will be removed, and iron will rust.
China/ Stoneware	Yes	Always check manufacturers' recommendations before washing. Antique, hand-painted or over-the-glaze patterns may fade. Gold leaf may discolor.
Crystal	Yes	Always check manufacturers' recommendations before washing. Some types of leaded crystal may etch with repeated washing.
Gold	No	Gold-colored flatware will discolor.
Glass	Yes	Milk glass will yellow with repeated dishwasher washing.
Hollow- Handle Knives	No	Handles of some knives are attached to the blade with adhesives which may loosen if dishwasher washed.
Pewter	No	High water temperatures and detergent may discolor or pit finish.
Disposable Plastics	No	Cannot withstand high water temperatures and detergents.



Material	Dishwasher Safe?	Exceptions/Special Information
Plastics	Yes	Always check manufacturers' recommendations before washing. Plastics vary in their capacity to withstand high water temperatures and detergents. Most are top rack washable only.
Stainless Steel	Yes	Run a Rinse/Hold cycle if not washing immediately. Prolonged contact with foods containing salt, vinegar, milk products or fruit juice could damage finish.
Sterling Silver or Silver Plate	Yes	Run a Rinse/Hold cycle if not washing immediately. Prolonged contact with food containing salt, acid or sulfide (eggs, mayonnaise and seafood) could damage finish. <b>Do not mix with stainless steel in the same wash.</b>
Tin	No	May rust.
Wooden Ware	No	Always check manufacturers' recommendations before washing. Untreated wood may warp, crack or lose its finish.

**REMEMBER:** It is the user's responsibility to determine if dishware should be washed in a dishwasher.

# Loading Your Dishwasher

This section tells you how to properly load your dishwasher for improved washability and rinsing.

## In This Section

Preparing To Load The Dishwasher .....	18
Loading The Top Rack .....	18
Using The Multi-function Holders .....	19

Adjusting The Upper Rack .....	19
Loading The Bottom Rack .....	20
Loading the Silverware Basket .....	20

## Preparing To Load The Dishwasher

### ⚠ WARNING

#### Personal Injury Hazard

Open door slowly when adding dishware while dishwasher is running to prevent hot water from spraying out. Failure to do so could cause personal injury.

To save water and energy, do not rinse dishware before putting them into the dishwasher.

- Scrape leftover food, bones, toothpicks and other hard items from dishware.
- Foods like eggs, rice, pasta, and cooked cereals may be hard to remove if they are left to dry over a period of time. Run a Rinse/Hold cycle to keep dishware moist if you do not plan to wash them soon.
- Load dishware so soiled surfaces face the rotating spray arms.
- Load dishware so they are not stacked or overlapping. It is important for the water spray to reach all soiled surfaces for best washing. For best drying, water must be able to drain from all items.

## Loading The Top Rack

### ⚠ CAUTION

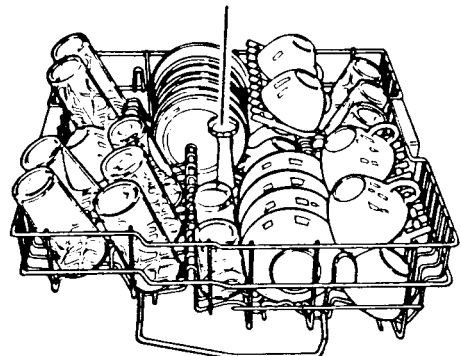
#### Dishware Damage Hazard

Unstable dishware items may be damaged.

Load carefully to prevent damage.

Glasses, stemware, bowls, pans, saucers and cups may be loaded together. Stability is important when loading such items. Tilt cups and mugs with curved bottom surfaces to aid draining.

Do not block upper spray arm inlet

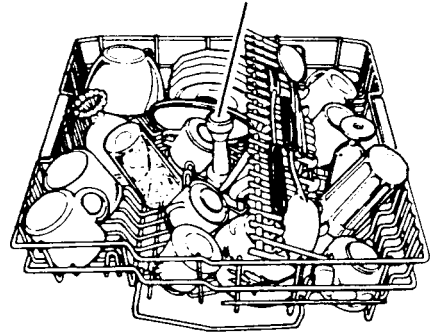


Dish and cup load

Lock lightweight plastics, glassware and stemware into place using the multi-function holders. Additional glasses and stemware may also be loaded in the upper rack between and over pins in a stable manner. Place long utensils on top of multi-function holders.

**NOTE:** Do not block the upper spray arm inlet.

Do not block upper spray arm inlet



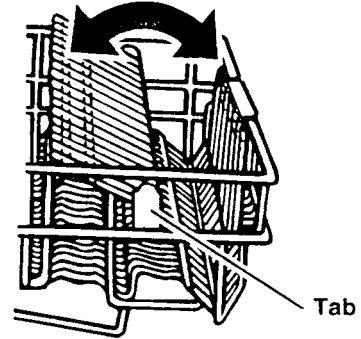
Utensil load

## Using The Multi-function Holders

Two multi-function holders are located in the top rack. Each holder works independently of the other and may be changed to fit loading needs. The holders may also be removed.

### To remove:

1. Place holder in an upright position.
2. Grasp bottom of holder near tabs.
3. Flex holder to remove from tabs.



Multi-function holders

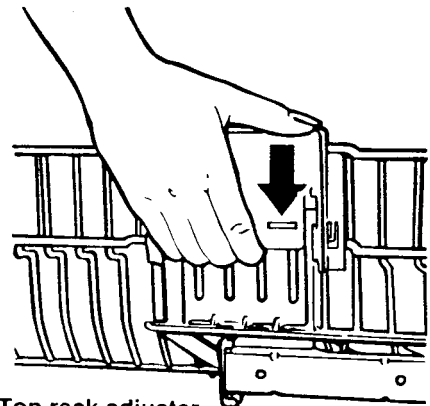
## Adjusting The Upper Rack

Your KitchenAid dishwasher features a 2-position upper rack which may easily be adjusted when either empty or full.

### To lower rack:

1. Pull both handles outward at the same time.
2. Lift rack slightly to unlock it.
3. Push handles down until they reach a stop.

Use the low position when loading pitchers, deep bowls and tall stemware in the upper rack.



Top rack adjuster

### To raise rack:

- Lift both handles until rack locks into stops.

Use the high position when loading platters, trays, large roasting pans and other baking utensils in the lower rack.

**NOTE:** Always adjust the sides of the rack to equal heights.

## Loading The Bottom Rack

Load plates, bowls, cooking utensils, pots and pans in the bottom rack.

- Make sure soiled surfaces face inward towards the spray.
- Position pot handles so they do not interfere with the rotation of either upper or lower spray arms.
- Load cookie sheets, cake pans and other large items at sides and back of rack. Loading such items in front may prevent water spray from reaching detergent dispenser.

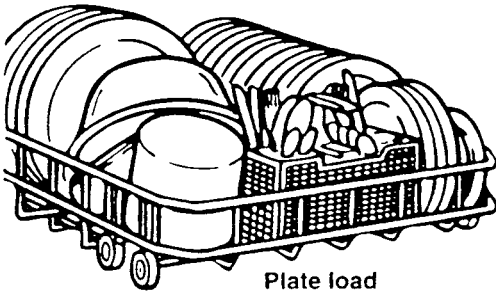
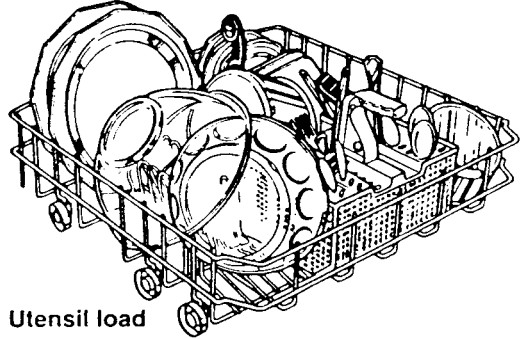


Plate load



Utensil load

## Loading The Silverware Basket

### **⚠ WARNING**

#### **Personal Injury Hazard**

Sharp utensils should be loaded with the point down.

Failure to do so could cause personal injury.

Load sharp edges down

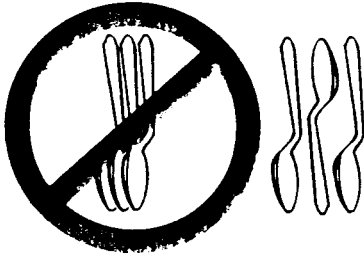


Silverware basket

For easiest use, remove the silverware/ cutlery basket for loading and unloading.

For best washing results:

- Place teaspoons in the spoon holder openings near the handle.
- Place tablespoons in the outer spoon holders at the front on either side.
- Load slim handled silverware with handles up to prevent them from sticking through the basket, possibly causing damage to the silverware or dishwasher.



- Load forks and spoons with handles up and down so they do not nest together. Nesting can reduce washing performance.

**NOTE:** Do not mix silver or silver plated flatware with stainless steel items. Silver and stainless steel flatware may be damaged if washed when in contact with one another.

Silver and stainless steel flatware may also be damaged if exposed to foods containing salt, vinegar, milk products or fruit juices for long periods of time. Use the Rinse/Hold cycle if flatware is not washed immediately after use.

# Caring For Your Dishwasher

Your new dishwasher is designed to give you many years of dependable service. However, there are a few things you are expected to do in order to maintain your dishwasher properly. This section will tell you how to clean your dishwasher and how to care for it.

## In This Section

Cleaning The Spray Arms .....	22	Seasonal Storage .....	23
General Cleaning .....	23	The Drain Air Gap .....	24

## Cleaning The Spray Arms

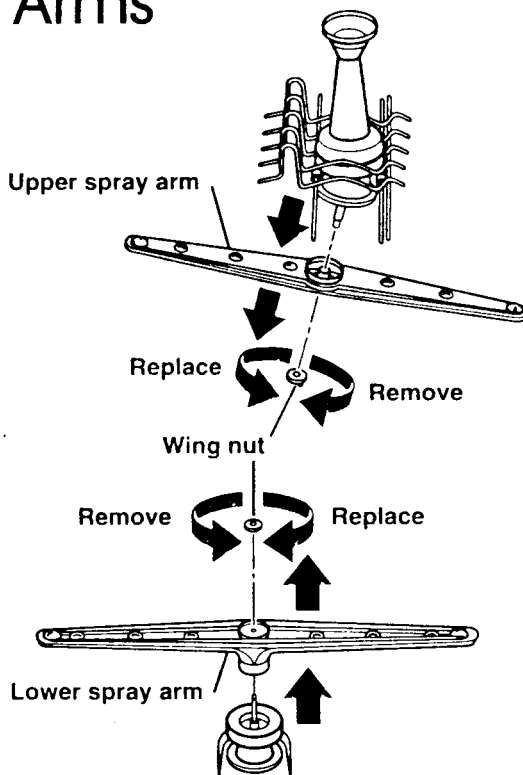
Periodically remove the spray arms for cleaning. Food can enter and block the openings in the spray arms. Keep the spray arm openings clean for best washing performance.

### To remove spray arms:

**NOTE:** Be sure the filter is in place before removing spray arms. The filter prevents a dropped wing nut from falling into the pump.

1. Hold spray arm to prevent it from turning.
2. Turn wing nut to the left to remove.
3. Remove spray arm.
4. When replacing spray arm, turn wing nut to the right.

**NOTE:** Do not mix the upper and lower spray arms. The spray openings must point upwards.



# General Cleaning

## Cleaning The Interior

If mineral deposits from hard water accumulate, clean the interior with a damp cloth or follow the suggestions indicated in the "Removing spots and film" section on page 28.

DO NOT use any type of cleanser that may cause foaming or sudsing. USE cleansers made for stainless steel products.

Wipe door seal regularly with a damp cloth to remove food residue.

**NOTE:** Run the dishwasher through a normal cycle with detergent after cleaning the interior.

## Cleaning The Exterior

Wipe the control panel with a damp cloth, then dry. **Never** use detergents or abrasive or powdered cleansers which may mar the finish.

Clean the front and sides with a soft cloth and a mild, nonabrasive soap and water solution. Dry with a soft cloth.

### ⚠ CAUTION

#### Product Damage Hazard

Do not use paper towels for cleaning. Paper towels are abrasive and may scratch your dishwasher's finish. Always use a soft cloth.

# Seasonal Storage

## Storing For The Winter

### ⚠ CAUTION

#### Property Damage Hazard

To protect against possible rupture of fill valve, be sure water lines leading to, as well as in, the dishwasher are well protected against freezing.

Failure to do so could result in property damage. Ruptures of this kind are not covered by the warranty.

To safeguard your KitchenAid dishwasher when it is exposed to freezing temperatures in a seasonal dwelling (i.e. summer home), refer to the Installation Instructions and have a qualified person do the following:

1. Close and latch the door.
2. Run a cancel cycle. See page 10.

3. Unplug dishwasher or turn off electrical power supply to dishwasher.
4. Shut off water supply to dishwasher. Place pan under shut-off valve and disconnect fill hose at shut-off valve. Drain fill hose into pan. Reconnect fill hose.
5. Place pan under drain hose at drain connection. Disconnect drain hose. Drain water into pan. Reconnect drain hose.

To restore service, turn on the electrical power supply and the water supply. Close and latch the door. Select the Quick Glass cycle and allow the machine to complete its cycle. Check connections to make sure they are water tight and do not leak.

## Storing For The Summer

Two simple steps will safeguard your KitchenAid dishwasher during an idle summer:

1. Turn off the water supply.
2. Turn off the electrical power supply to the dishwasher.

## The Drain Air Gap

**Check the drain air gap anytime your dishwasher isn't draining well.**

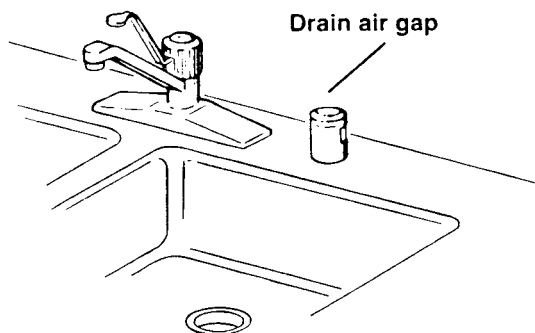
Some state or local plumbing codes require the addition of a drain air gap between a built-in dishwasher and the home drain system. This device protects your dishwasher against water backing up into it when a drain clogs.

The drain air gap is usually located on top of the sink or countertop near the dishwasher. To order drain air gap accessory part number 300096, contact your local KitchenAid dealer or call 1-800-422-1230.

**NOTE:** The drain air gap is an external plumbing device that is not part of your KitchenAid dishwasher. The warranty provided with your dishwasher does not cover service costs directly associated with the cleaning or repair of the external drain air gap.

### To clean the drain air gap:

Clean the drain air gap periodically to ensure proper drainage of your dishwasher. Follow drain air gap cleaning instructions provided by the manufacturer. With most types, just lift off the chrome cover, unscrew the plastic cap, and then check for any buildup of soil. Clean, if necessary.





# Common Dishwashing Problems

This section explains how you can handle minor performance problems. Go over this list before calling for service. If you can't solve your dishwasher's problem, turn to page 31 for service information.

## In This Section

Solution Chart .....	25	Removing Spots And Film .....	28
----------------------	----	-------------------------------	----

## Solution Chart

Problem	Cause	Solution
Food Soil Left on Dishware	Slowdown of wash arm due to high suds	Never use soap or laundry detergents. Use recommended dishwasher detergents only. Do not overfill rinse aid dispenser. Wipe up rinse aid spills before running a cycle.
	Improper loading	Follow loading instructions on pages 18-21.
	Low water pressure due to insufficient fill	Home water pressure should be 20 to 120 psi for proper dishwasher fill. A booster pump on the water supply may be necessary if pressure is too low.
	Use of incorrect, too little or ineffective detergent	Use recommended dishwasher detergents only. Follow recommendations on pages 11-12 for amounts; never use less than one tablespoon per load. Detergent must be fresh to be effective. Store <b>tightly closed</b> container in a cool, dry place.
	Detergent cakes in dispenser	Use fresh detergent only. Do not allow detergent to sit for several hours in a wet dispenser. Check dispenser for caked detergent. Clean dispenser when caked detergent is present.
	Clogged spray arm	Clean spray arm. See instructions on page 22.

<b>Problem</b>	<b>Cause</b>	<b>Solution</b>
Cycle Takes Extremely Long Time	Water temperature is too low	Turn home water heater up to ensure water entering dishwasher is 120°F (49°C) minimum. See recommended procedure in "Heating The Water" on page 15.
Spotting and Filming	Filter not clean	Clean the filter before or after each use. See page 14.
	Hard water or high mineral content in water	Keep the dispenser full with a rinse aid, such as Jet-Dry®, at all times. This helps eliminate spotting and filming.
	Water temperature is too low	Turn home water heater up to ensure water entering dishwasher is 120°F (49°C) minimum. See recommended procedure in "Heating The Water" on page 15.
	Use of incorrect detergents	Use recommended dishwasher detergents only.
	Incorrect amount of detergent	Follow recommendations on pages 11-12 for amount. Heavy soil and/or hard water generally require extra detergent.
	Use of ineffective detergents	Detergent should be fresh. Store in a cool, dry place, preferably in an airtight container. Discard lumpy detergent.
Dishware Does Not Dry Completely	Insufficient fill caused by low water pressure	Home water pressure should be 20 to 120 psi for proper dishwasher fill. A booster pump on the water supply may be necessary if pressure is too low.
	Water temperature is too low	Turn home water heater up to ensure water entering dishwasher is 120°F (49°C) minimum. See recommended procedure in "Heating The Water" on page 15.
	Dishware does not drain properly	Dishware must have proper water drainage. Do not overload. Follow instructions for loading dishwasher on pages 18-21 Use a liquid rinse aid to speed drying.

<b>Problem</b>	<b>Cause</b>	<b>Solution</b>
Dishware Does Not Dry Completely (continued)	Plastics	Some plastics, due to material, may need to be towel dried.
Silica Film or Etching (Silica Film is a White Milky Looking Deposit; Etching is a Cloudy Film)	Rinse aid not used  A water chemical reaction with certain types of glassware. Usually caused by some combination of soft or softened water, alkaline washing solutions, insufficient rinsing, excessive detergent, and overloading the dishwasher.	Keep rinse aid dispenser filled. See page 13.  It may not be possible to prevent problems, except by hand washing. To retard this process, use a minimum amount of detergent but not less than one tablespoon per load. Use a liquid rinse aid and do not overload the dishwasher to allow thorough rinsing. Silica film and etching are permanent and cannot be removed.
Black or Gray Marks on Dishware	Aluminum markings	Aluminum pieces should be loaded so that they will not rub against dishware during washing. Do not wash disposable aluminum containers in the dishwasher. Remove aluminum markings by using a mild abrasive cleanser.
Brown Stains on Dishware and Dishwasher Interior	High iron content in water supply	Remove food soil from dishware. Add 1 teaspoon to 1 tablespoon of citric acid crystals to the Main Wash compartment of detergent dispenser. Wash dishware with a Short Wash Cycle without detergent. Follow with a Short Wash cycle with detergent. If treatment is needed more often than every other month, the installation of an iron removal unit is recommended.
White Spots on Cookware with Non-Stick Finish	Seasoning removed by dishwasher detergents	Re-season cookware after dishwasher washing.

continued on next page

Problem	Cause	Solution
Odor in the Dishwasher	Dishware only washed every two to three days	Run a Rinse/Hold cycle at least once or twice a day until a full load is accumulated.
	Dirty filter screen	Clean the filter screen. See page 14.
Chipping of Dishware	Improper loading	Load dishware and glasses so that they are stable and do not strike together from washing action.
		<p><b>NOTE:</b> Some types of china and glassware are too delicate for automatic dishwashing and should be hand washed; for example: antiques, feather-edged crystal and similar types.</p> <p>Moving racks in and out smoothly will also minimize chipping.</p>

## Removing Spots And Film

Keep the rinse aid dispenser filled with a liquid rinse aid such as Jet-Dry®. A rinse aid keeps water from forming droplets and drying as spots or streaks.

To remove spots and film on dishware and glasses, or hard water film on the interior of the dishwasher, you may use white vinegar with the following procedure:

1. Load clean dishware and glasses in dishwasher in regular manner. **Do not load silverware or other metals in the dishwasher.**
2. Close and latch door.
3. Select Econo Wash cycle. Do not use detergent. Allow dishwasher to run through the pre-wash portion of cycle.
4. When washer has filled for main wash portion of cycle, unlatch and open door.
5. Pour 2 cups of household vinegar into the dishwasher.
6. Close and latch door. Allow dishwasher to finish the cycle.

# If You Need Assistance Or Service

If you ever have questions or comments about your appliance, you can call our toll-free Consumer Assistance Center telephone number, **1-800-422-1230**, 24 hours a day, seven days a week.

This section is designed to help you save the cost of a service call. Part 1 of this section outlines possible problems, their causes, and actions you can take to solve each problem. Parts 2 and 3 tell you what to do if you still need assistance or service. When calling our Consumer Assistance Center for help or calling for service, please provide a detailed description of the problem, your appliance's complete model and serial numbers and the purchase or installation date. (See page 2.) This information will help us respond properly to your request.

## 1. Before calling for service ...

If your appliance fails to operate, review the following list and the Common Dishwashing Problems section on page 25 before calling your dealer. This could save you the cost of a service call, especially for a problem that is not covered by the warranty.

PROBLEM	CHECK IF	WHAT TO DO
Dishwasher will not run, or stops during a cycle	The door is open or unlatched.	Close the door to latch it securely.
	A cycle is set.	Set the correct cycle. See pages 8-9.
	Water supply is turned off.	Turn on water supply.
	A household fuse is blown or circuit breaker is tripped.	Change the fuse or reset the circuit breaker.
	Dishwasher is connected into a live circuit with the proper voltage.	Connect the dishwasher into a live circuit with the proper voltage.
	An electrical overload has stopped the motor.	If the motor has stopped because of an overload, it will automatically reset itself within a few minutes. If the motor does not start, call for service.

continued on next page

<b>PROBLEM</b>	<b>CHECK IF</b>	<b>WHAT TO DO</b>
Dishwasher seems to run too long	Household water heater temperature is low. Minimum 120°F (49°C) needed.	The dishwasher will run longer while heating the water. This is normal for lower starting water temperatures. See page 15.
Dishwasher won't fill	Door is closed.	Close door firmly. Reset cycle. See page 7.
Dishware and glasses not clean		See "Food Soil Left On Dishware" section of "Solution Chart" on page 25.
White film on dishware		See "Spotting and Filming" section of "Solution Chart" on page 26.
Steam from lower vent	Dishwasher is in drying portion of cycle.	This is normal. Some steam may be visible.
Water remains in the dishwasher	The cycle has completed.	Wait for the cycle to finish draining. A small amount of remaining water is normal.
	The drain air gap is clogged or hose from drain air gap is restricted.	Follow the manufacturer's cleaning instructions. See page 24.
Detergent remains in the covered detergent cup	Detergent is lumpy.	Use fresh detergent. See pages 11-12.
	The cycle has completed.	Wait for the cycle to finish.

PROBLEM	CHECK IF	WHAT TO DO
White residue appears on front of access panel	Too much detergent is used.	See pages 11-12 for recommended amounts of detergent.
	Liquid detergent is used.	Some liquid detergents develop excess foam and build up on exterior of access panel. Try a different brand to reduce foaming and eliminate build-up.
Dishware is not as dry as you expected	The rinse aid dispenser is empty.	Fill the rinse aid dispenser. Using a rinse aid greatly improves drying. (See pages 13-14.)
	Water temperature is too low.	See page 15 for proper water temperature settings.

## 2. If the problem is not due to one of the items listed in step 1:

- Call KitchenAid Consumer Assistance Center toll-free:

**1-800-422-1230**

One of our trained consultants can instruct you in how to correct the problem or, if service is necessary, recommend a qualified service company in your area.

- If you prefer, write to:

Consumer Assistance Center  
KitchenAid  
P.O. Box 558  
St. Joseph, MI 49085-0558

Please include a daytime phone number in your correspondence.

## 3. If you need service:

- Call your dealer or the recommended repair service.
- All service should be handled locally by the dealer from whom you purchased the

unit or an authorized KitchenAid servicer.

- If you can not find the name of a local authorized KitchenAid servicer, call our Consumer Assistance Center telephone number (see Step 2).

## 4. If you are not satisfied with the action taken:

- Contact the Major Appliance Consumer Action Panel (MACAP). MACAP is a group of consumer experts that voices consumer views at the highest levels of the major appliance industry.
- Contact MACAP only when the dealer, authorized servicer, and KitchenAid have failed to resolve your problem.

Major Appliance Consumer Action Panel  
20 North Wacker Drive  
Chicago, IL 60606

- MACAP will in turn inform us of your action.

# **D**ishwasher Warranty

LENGTH OF WARRANTY:	KITCHENAID WILL PAY FOR:
<b>ONE YEAR FULL WARRANTY</b> FROM DATE OF INSTALLATION.	Replacement parts and repair labor to correct defects in materials or workmanship. Service must be provided by an authorized KitchenAid servicing outlet.
<b>FIVE YEAR LIMITED WARRANTY</b> ONE YEAR FULL PLUS SECOND THROUGH FIFTH YEAR LIMITED FROM DATE OF INSTALLATION.	Replacement parts for the motor if defective in materials or workmanship.  Replacement parts for the upper or lower dishware rack if they rust due to defective materials or workmanship.
<b>TWENTY-FIVE YEAR FULL WARRANTY</b> FROM DATE OF INSTALLATION.	Replacement parts and repair labor for the stainless steel tank or inner door if the tank or inner door develops water leaks caused by rust through as a result of defective materials or workmanship.
<b>KITCHENAID WILL NOT PAY FOR:</b>	
<p><b>A.</b> Service calls to:</p> <ol style="list-style-type: none"> <li>1. Correct the installation of the dishwasher.</li> <li>2. Instruct you how to use the dishwasher.</li> <li>3. Replace house fuses or correct house wiring.</li> <li>4. Correct house plumbing.</li> </ol> <p><b>B.</b> Repairs when dishwasher is used in other than normal home use.</p> <p><b>C.</b> Damage resulting from accident, alteration, misuse, abuse, improper installation or installation not in accordance with local electrical and plumbing codes.</p> <p><b>D.</b> Any labor costs during the limited warranty.</p> <p><b>E.</b> Replacement parts or repair labor costs for units operated outside the United States.</p> <p><b>F.</b> Pickup and delivery. This product is designed to be repaired in the home.</p> <p><b>G.</b> Repairs to parts or systems caused by unauthorized modifications made to the appliance.</p>	

**KITCHENAID DOES NOT ASSUME ANY RESPONSIBILITY FOR INCIDENTAL OR CONSEQUENTIAL DAMAGES.** Some states do not allow the exclusion or limitation of incidental or consequential damages, so this exclusion may not apply to you.

This warranty gives you specific legal rights and you may also have other rights which may vary from state to state.

If you need service, first see the "Assistance or Service" section of this book. After checking "Assistance or Service," additional help can be found by calling our Consumer Assistance Center telephone number, **1-800-422-1230**, from anywhere in the U.S.

KitchenAid  
St. Joseph, Michigan, U.S.A. 49085



**Part No. 9741195**

© 1993 KitchenAid

Printed on recycled paper

© Registered Trademark / TM Trademark of KitchenAid.

Printed in Germany

12 NC 461972004551 GA 5384/03.93