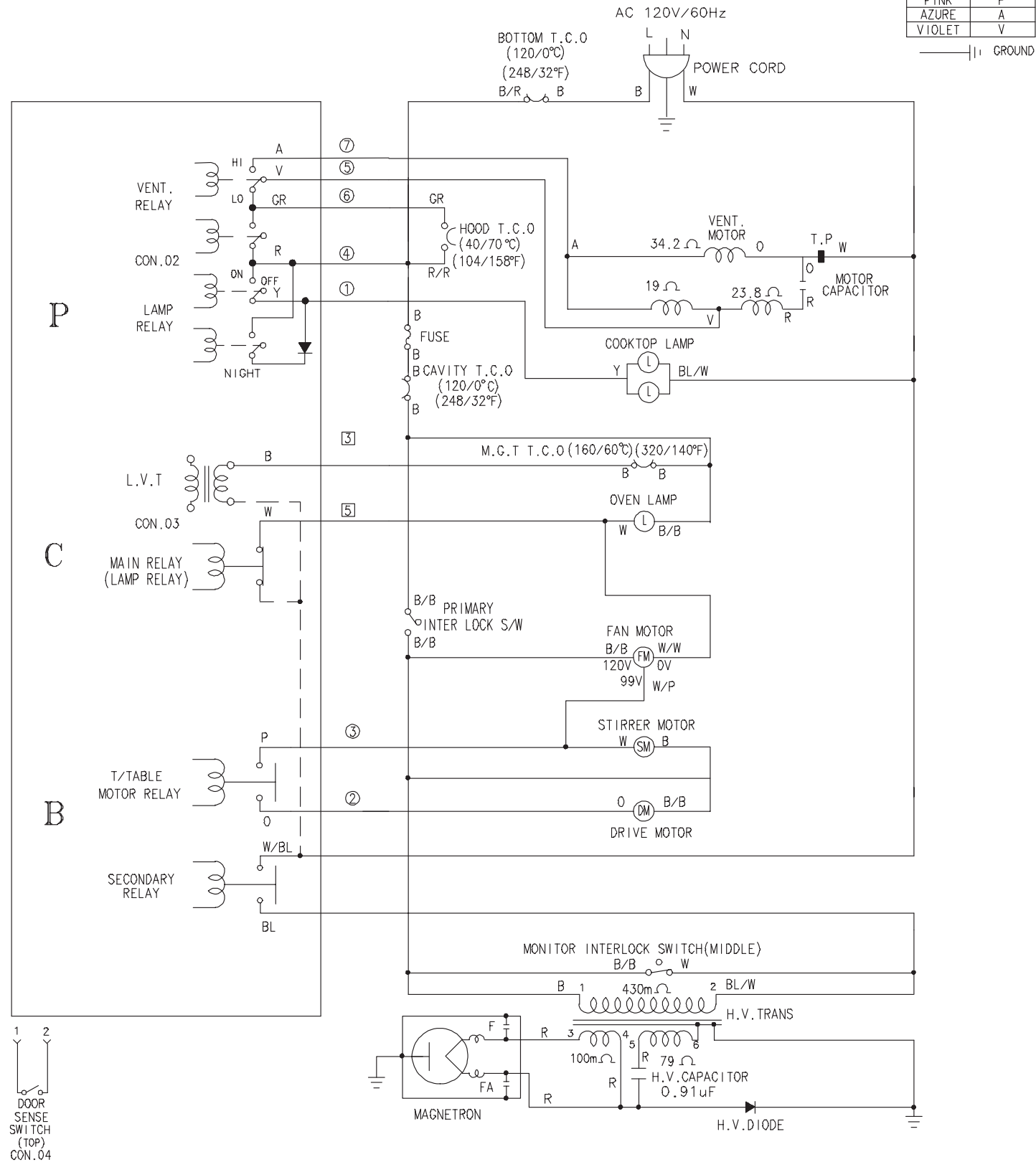


SCHEMATIC DIAGRAM

WARNING

POWER MUST BE DISCONNECTED
BEFORE SERVICING THIS APPLIANCE

OTRVI
MODEL NO. : FMV145



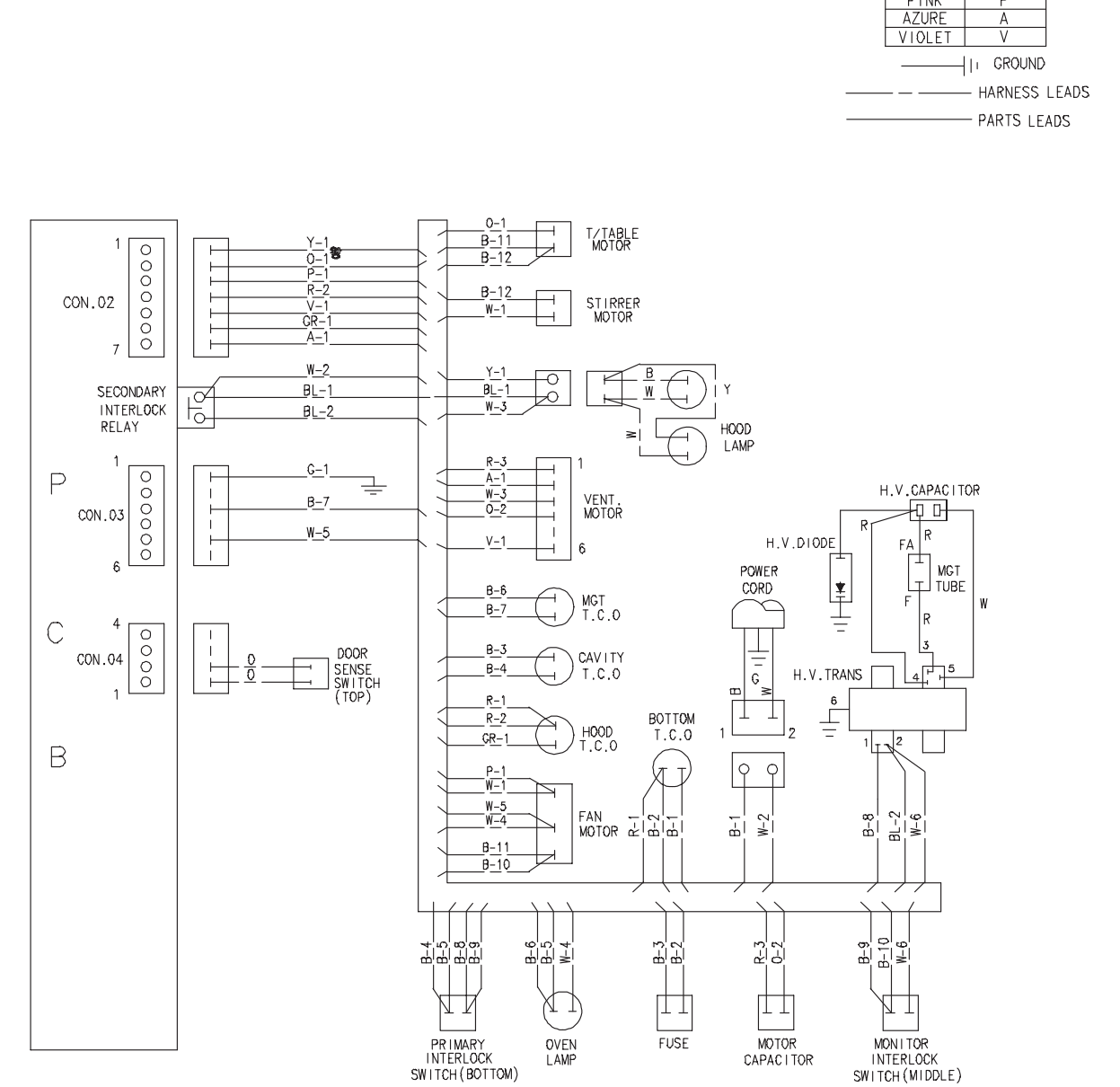
NOTE: DOOR IS OPEN.

WIRING DIAGRAM

WARNING

POWER MUST BE DISCONNECTED
BEFORE SERVICING THIS APPLIANCE

OTRVI
MODEL NO. : FMV145



NOTE: FOR SERVICING REPLACEMENT USE 16GA, 105 °C
THERMOPLASTIC COVERED WIRE EXCEPT FOR
HIGH VOLTAGE LEADS OR AS NOTED ON SPECIAL LEADS.