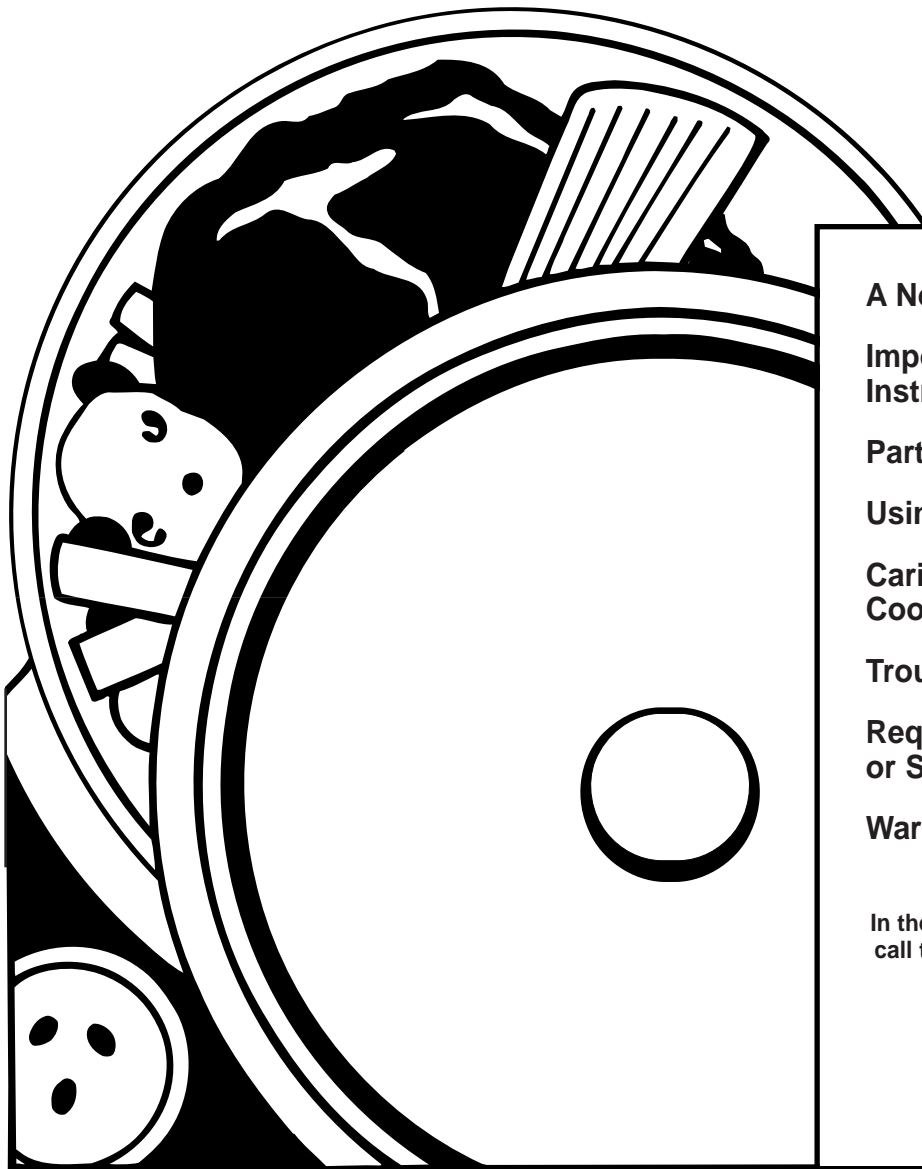




Use And Care

G U I D E



A Note to You	2
Important Safety Instructions	3
Parts and Features	5
Using Your Cooktop	6
Caring for Your Cooktop	9
Troubleshooting	13
Requesting Assistance or Service	14
Warranty	16

In the U.S.A. for assistance or service,
call the Consumer Assistance Center.

1-800-253-1301

In Canada for assistance
or service, see page 15.

GAS SEALED BURNER COOKTOP

**MODELS SCS3004G SCS3014G SCS3614G
GLT3014G GLT3614G**

A Note to You

Thank you for buying a WHIRLPOOL® appliance.

The Whirlpool Brand is committed to designing quality products that consistently perform for you to make your life easier. To ensure that you enjoy years of trouble-free operation, we developed this Use and Care Guide. It is full of valuable information about how to operate and maintain your appliance properly and safely. Please read it carefully.

Also, please complete and mail the **Product Registration Card** provided with your appliance. The card helps us notify you about any new information on your appliance.

Please record your model's information.

Whenever you call to request service for your appliance, you need to know your complete model number and serial number. You can find this information on the model and serial number label/plate (see illustration in the "Parts and Features" section).

Please also record the purchase date of your appliance and your dealer's name, address, and telephone number.

Model Number _____

Serial Number _____

Purchase Date _____

Dealer Name _____

Dealer Address _____

Dealer Phone _____

**Keep this book and the sales slip together in a safe place for future reference.
It is important for you to save your sales receipt showing the date of purchase.
Proof of purchase will assure you of in-warranty service.**

In the U.S.A., call our Consumer Assistance Center toll-free.

1-800-253-1301

To find detailed product information, the location of the nearest Whirlpool dealer or authorized servicer, to purchase an accessory item, or register your appliance on-line, please visit our Web site at

www.whirlpool.com

In Canada, for assistance or service, see the "If You Need Assistance or Service" section.

In Canada visit our Web site at www.whirlpool.com/canada

Important Safety Instructions

Your safety and the safety of others is very important.

We have provided many important safety messages in this manual and on your appliance. Always read and obey all safety messages.



This is the safety alert symbol.

This symbol alerts you to hazards that can kill or hurt you and others.

All safety messages will be preceded by the safety alert symbol and the word "DANGER" or "WARNING." These words mean:

⚠ DANGER

You will be killed or seriously injured if you don't follow instructions.

⚠ WARNING

You can be killed or seriously injured if you don't follow instructions.

All safety messages will identify the hazard, tell you how to reduce the chance of injury, and tell you what can happen if the instructions are not followed.

WARNING: If the information in this manual is not followed exactly, a fire or explosion may result causing property damage, personal injury or death.

- Do not store or use gasoline or other flammable vapors and liquids in the vicinity of this or any other appliance.
- **WHAT TO DO IF YOU SMELL GAS**
 - Do not try to light any appliance.
 - Do not touch any electrical switch; do not use any phone in your building.
 - Immediately call your gas supplier from a neighbor's phone. Follow the gas supplier's instructions.
 - If you cannot reach your gas supplier, call the fire department.
- Installation and service must be performed by a qualified installer, service agency or the gas supplier.

continued on next page

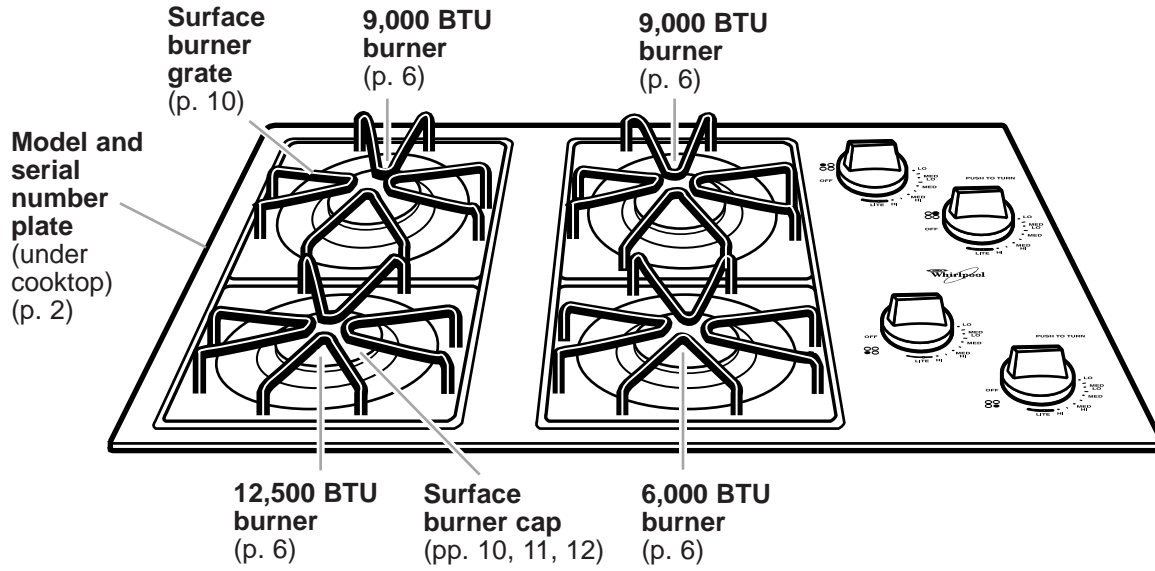
IMPORTANT SAFETY INSTRUCTIONS

WARNING: To reduce the risk of fire, electrical shock, injury to persons, or damage when using the cooktop, follow basic precautions, including the following:

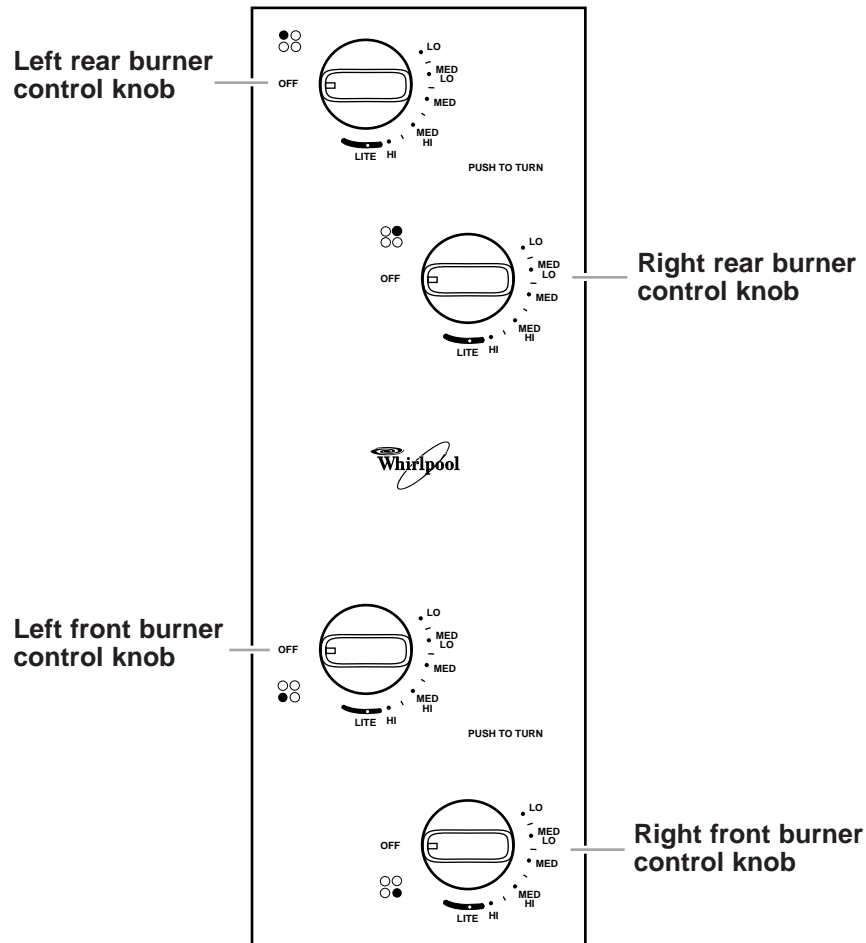
- **CAUTION** – Do not store items of interest to children in cabinets above the cooktop – children climbing on the cooktop to reach items could be seriously injured.
- **Proper Installation** – The cooktop, when installed, must be electrically grounded in accordance with local codes or, in the absence of local codes, with the *National Electrical Code, ANSI/NFPA 70* or the *Canadian Electrical Code, Part 1*. Be sure the cooktop is properly installed and grounded by a qualified technician.
- This cooktop is equipped with a three-prong grounding plug for your protection against shock hazard and should be plugged directly into a properly grounded receptacle. Do not cut or remove the grounding prong from this plug.
- Disconnect the electrical supply before servicing the cooktop.
- Never Use the Cooktop for Warming or Heating the Room.
- Injuries may result from the misuse of the cooktop such as stepping, leaning, or sitting on the top surface.
- Maintenance – Keep cooktop area clear and free from combustible materials, gasoline, and other flammable vapors and liquids.
- Storage on the cooktop – Flammable materials should not be stored on or near surface units.
- Top burner flame size should be adjusted so it does not extend beyond the edge of the cooking utensil.

– **SAVE THESE INSTRUCTIONS** –

Parts and Features



Control panel



Using Your Cooktop

Using the surface burners

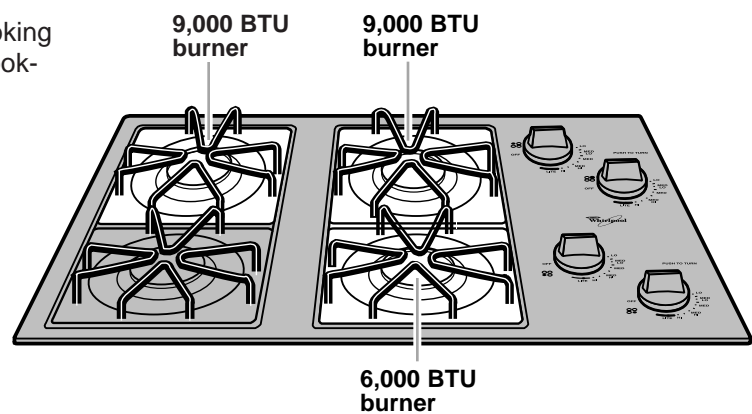
Your cooktop has sealed gas burners with an electric ignition system. The sealed burners spread the heat evenly across the bottom of the cookware and provide infinite heat control.

IMPORTANT: Your cooktop is factory-set for use with Natural Gas. If you wish to use L.P. gas, an L.P. Gas Conversion Kit is provided with the unit. The conversion must be done by a qualified service technician.

When to use the right front, right rear, or left rear burners:

(Models SCS3004G, GLT3614G, GLT3014G, SCS3614G, and SCS3014G)

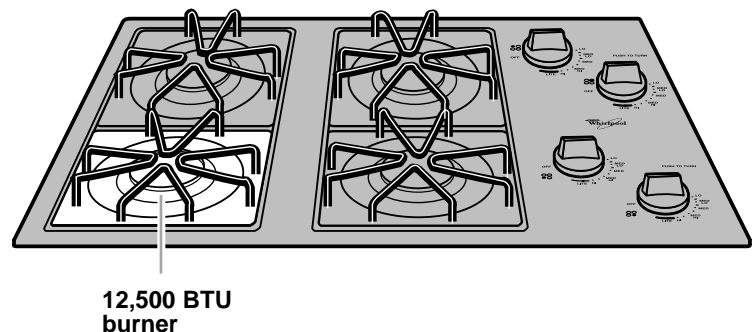
Use these burners for simmering, or for cooking smaller quantities of food requiring small cookware.



When to use the left front burner:

(Models GLT3614G, GLT3014G, SCS3614G, and SCS3014G)


Use this burner for cooking large quantities of food, deep-fat frying, or cooking with large cookware.



NOTE: The left front burner rate on Model SCS3004G is 9,000 BTUs.

Using the surface burners (cont.)

⚠ WARNING



Fire Hazard

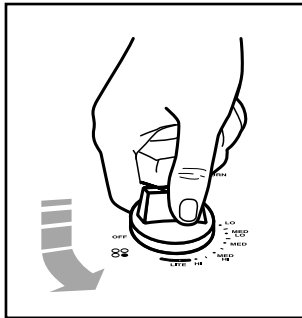
Do not let the burner flame extend beyond the edge of the pan.

Turn off all controls when not cooking.

Failure to follow these instructions can result in death or fire.

Using the control knobs

Your cooktop comes with electric ignitors. Electric ignitors automatically light the burners each time you turn the control knobs to LITE.



- Place a filled pan on the burner grate before turning on the surface burner. Do not operate a burner for extended periods of time without having cookware on the grate.

- Push in the control knob and turn it **counter-clockwise** to the LITE position. The clicking sound is the ignitor sparking. Make sure the burner has lit.
- To stop the clicking sound after the burner lights, turn the control knob to the cook setting you want. You can set the control knob anywhere between HI and LO.

NOTE: All four electric ignitors will click at the same time. However, the burner with the control knob turned to LITE is the one that will ignite.

NOTE: Do not leave empty cookware, or cookware which has boiled dry, on a hot surface burner. The cookware could overheat causing damage to the cookware or cooking product.

Burner heat settings

Use the following chart as a guide.

SETTING	RECOMMENDED USE
LITE	<ul style="list-style-type: none"> To light the burner.
HI	<ul style="list-style-type: none"> To start food cooking. To bring liquid to a boil.
MED HI	<ul style="list-style-type: none"> To hold a boil. To fry chicken or pancakes.
MED	<ul style="list-style-type: none"> For gravy, pudding and icing. To cook large amounts of vegetables.
MED LO	<ul style="list-style-type: none"> To keep food cooking after starting it on a higher setting.
LO	<ul style="list-style-type: none"> To keep food warm. To melt chocolate or butter. To simmer.

Energy saving tips

- To help shorten your cooking time, use the least amount of liquid possible.
- Preheat your pans only when recommended and for the shortest time possible.
- Start your food on a higher heat setting, then turn the control to a lower setting to finish cooking.

Using the surface burners (cont.)

In case of a prolonged power failure

You can manually light surface burners. Hold a lit match near a burner and turn the control knob to the LITE position. After the burner lights, turn the control knob to the setting you want.

Home canning information

The large diameter of most water-bath or pressure canners combined with high heat settings for long periods of time can cause damage to the cooktop.

To protect your cooktop:

- Center the canner over the surface burner. Do not extend more than 1 inch outside the burner area.
- Do not place your canner on two surface burners at the same time.
- Start with hot water, cover with a lid and bring to a boil; then reduce heat to maintain a boil or required pressure levels in a pressure canner.

- Refer to your canner manual for specific instructions.

For up-to-date information on canning, contact your local U.S. Government Agricultural Department Extension Office or companies who manufacture home canning products.

Using the right cookware makes a big difference


- The pan should have a flat bottom, straight sides, and a well-fitting lid.
- Choose medium to heavy gauge (thickness) cookware.
- The pan material (metal or glass) affects how quickly and evenly the pan heats.
- When using glass or ceramic cookware, check to make sure it is suitable for use on surface burners.
- To avoid tipping, make sure pots and pans are centered on the grates.

Characteristics of cookware materials

The pan material affects how fast heat transfers from the surface cooking area through the pan material and how evenly heat spreads over the pan bottom. Choose pans that provide the best cooking results.

Aluminum	<ul style="list-style-type: none"> • Heats quickly and evenly. • Use for all types of cooking. • Medium or heavy thickness is best for most cooking. • Used as a core or base in cookware to provide even heating.
Cast iron	<ul style="list-style-type: none"> • Heats slowly and evenly. • Good for browning and frying. • Maintains heat for slow cooking. • Can be coated with porcelain enamel.
Ceramic or ceramic glass	<ul style="list-style-type: none"> • Heats slowly and unevenly. • Use on low to medium settings. • Follow manufacturer's instructions.
Copper	<ul style="list-style-type: none"> • Heats very quickly and evenly. • Used as a core or base in cookware to provide even heating.
Earthenware	<ul style="list-style-type: none"> • Can be used for cooktop cooking if recommended by the manufacturer. • Use on low settings.
Porcelain enamel-on-steel or enamel-on-cast iron	<ul style="list-style-type: none"> • See cast iron and stainless steel.
Stainless steel	<ul style="list-style-type: none"> • Heats quickly but unevenly. • A core or base of aluminum or copper on the cookware provides even heating. • Can be coated with porcelain enamel.

Caring for Your Cooktop

	⚠ WARNING
	<p>Explosion Hazard</p> <p>Do not store flammable materials such as gasoline near this appliance. Doing so can result in death, explosion, or fire.</p>

Cleaning chart

Before cleaning, always make sure all controls are off and the cooktop is cool. Refer to instructions on all cleaning products before using them to clean your cooktop.

PART	CLEANING METHOD	SPECIAL INSTRUCTIONS
Control Knobs	<ul style="list-style-type: none"> • Soap and water • Dishwasher 	<ul style="list-style-type: none"> • DO NOT use steel wool or abrasive cleaners. • Pull knobs straight away from control panel. • Wash, rinse and dry with soft cloth.
Control Panel	<ul style="list-style-type: none"> • Soap and water • Spray glass cleaner 	<ul style="list-style-type: none"> • Wash, rinse and dry with soft cloth. • Apply spray cleaner to paper towel; do not spray directly on panel.
Cooktop Surface	<ul style="list-style-type: none"> • Soap and water • Mild liquid cleaner • Spray glass cleaner • Non-abrasive plastic scrubbing pad 	<ul style="list-style-type: none"> • DO NOT use abrasive or harsh cleaners like chlorine bleach, ammonia or oven cleaners. • Wash, rinse and dry with soft cloth. • Gently clean around the model and serial plate, too much scrubbing could remove the numbers. • NOTE: To avoid product damage, do not remove the cooktop.

* When the cooktop is cool, remove all spills and clean. Food spills containing acids, such as vinegar and tomato, may affect the finish.

Caring For Your Cooktop

Cleaning chart (cont.)

PART	CLEANING METHOD	SPECIAL INSTRUCTIONS
Surface burner grates and caps* <ul style="list-style-type: none"> • Light to moderate soil • Heavy burned on soils 	<ul style="list-style-type: none"> • Soap and water • Non-abrasive plastic scrubbing pad • Dishwasher (grates only) • Non-abrasive plastic scrubbing pad • Mild abrasive powdered cleanser and water 	<ul style="list-style-type: none"> • Clean as soon as they become dirty. • Wash, rinse and dry well. • Repeat steps of cleaning process (with items at left) as needed, until soil is completely removed. • Rinse thoroughly and dry. • NOTE: Do not reassemble caps on burners while wet. Do not wash caps in dishwasher.
Surface burners		<ul style="list-style-type: none"> • See “Sealed surface burners and cooktop” in the “Caring for your cooktop” section.

Stainless steel surfaces (some models)

Cleaning Stainless Steel Surfaces

- Do not use steel wool or soap-filled scouring pads
- Rub in the direction of the grain line to avoid marring surface
- Always wipe dry to avoid water marks
- If commercial cleaners are used, follow label directions. If product contains chlorine (bleach), rinse thoroughly and dry with a soft, lint-free cloth. Chlorine is a corrosive substance.

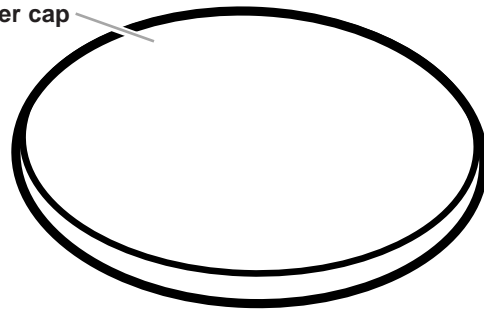
	CLEANING AGENT	HOW TO USE
Routine cleaning and fingerprints	• Liquid detergent and water; all-purpose cleaner	• Wipe with damp cloth or sponge, then rinse with clean water and wipe dry.
Stubborn stains and baked-on residue	• Mild-abrasive cleanser or stainless steel cleaners	• Rub in the direction of the grain lines with a damp cloth or sponge and cleaner. Rinse thoroughly. Repeat if necessary.
Hard water spots	• Vinegar	• Swab or wipe with cloth. Rinse with water and dry.

Sealed surface burners and cooktop

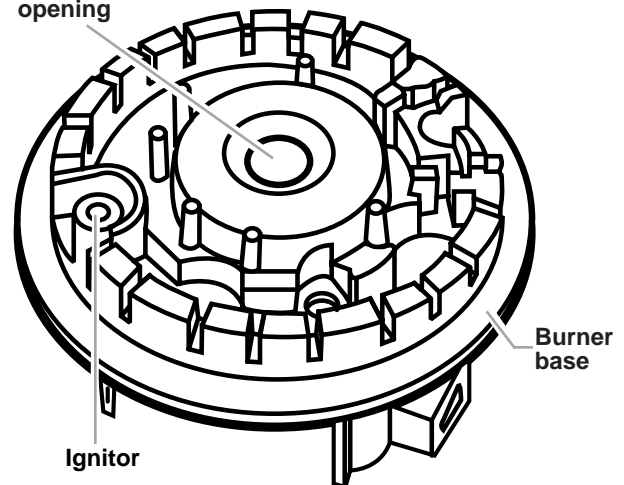
Cleaning the surface burners

- You should routinely remove and clean the burner caps. Always clean the burner caps after a spillover. Keeping the burner caps clean prevents improper ignition and an uneven flame.
- For the proper flow of gas and ignition of the burner, **DO NOT ALLOW SPILLS, FOOD, CLEANING AGENTS, OR ANY OTHER MATERIAL TO ENTER THE GAS TUBE OPENING.**
- Gas must flow freely through the gas tube opening for the burner to light properly. You must keep this area free of any soil and protect it from boilovers or spillovers. **ALWAYS** keep the burner cap in place whenever a surface burner is in use.
- Let the cooktop cool before cleaning.
- Do not use oven cleaners, bleach, or rust removers.
- Do not obstruct the flow of combustion and ventilation air.
- If the knobs are removed while cleaning, be careful not to spill liquids through the holes in the control area.
- Be careful not to allow moisture to collect in the control area. Moisture can cause the ignitor switches to fail.

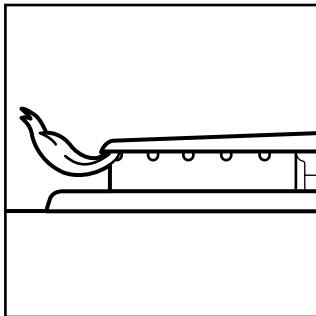
Cast-iron burner cap



Gas tube opening



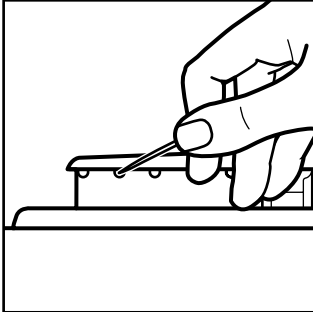
- Occasionally check the burner flames for proper size and shape as shown. A good flame is blue in color. If the flames are uneven, you may need to clean the burners.



Sealed surface burners and cooktop (cont.)

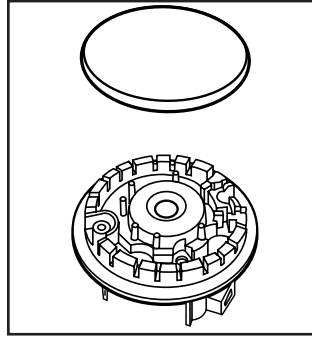
To clean the burners:

1. Pull the burner caps straight up from the burner base.
2. Clean the burner caps with warm, soapy water and a sponge. You can also clean the caps with a mildly abrasive plastic scrubbing pad and powdered cleanser. Do not clean the burner caps in a dishwasher or self-cleaning oven.
3. If the gas tube opening has become soiled or clogged, use a cotton swab or a soft cloth to clean the area.
4. **If the ports are clogged, clean them with a straight pin. Do not enlarge or distort the port. Do not use a wooden toothpick.**



If the burner needs to be adjusted, call a qualified technician for service.

5. After cleaning the gas tube opening and ports, replace the burner caps. To replace the burner caps, make sure the alignment pins on the burner base are properly aligned with the cap.



6. Turn on the burner to see if it will light. If the burner does not light after you have cleaned it, contact an authorized service technician. Do not service the sealed burner yourself.

Troubleshooting

You can solve many common cooktop problems easily, saving you the cost of a possible service call. Try the suggestions below to see if you can solve your problem without outside help. If the suggestions do not work, see "Requesting Assistance or Service" on page 14 (In the U.S.A.), or on page 15 (in Canada).

Problem	Problem Cause	Solution
Nothing will operate.	<ul style="list-style-type: none"> • The cooktop is not wired into a live circuit with proper voltage. • The cooktop is not properly connected to the gas supply. • A household fuse has blown or a circuit breaker has tripped. • A control knob is not set correctly. 	<ul style="list-style-type: none"> • Wire the cooktop into a live circuit with proper voltage. (See installation instructions.) • Contact an authorized Whirlpool service technician to reconnect the cooktop to the gas supply. • Replace household fuse or reset circuit breaker. • Push in the control knobs before turning them.
The burner fails to light.	<ul style="list-style-type: none"> • A household fuse has blown or a circuit breaker has tripped. • The burner is wet from being washed. • The burner ports may be clogged. 	<ul style="list-style-type: none"> • Replace household fuse or reset circuit breaker. • Let it dry. • Clean them with a straight pin. (See page 12.)
<p>The burner flames are uneven.</p> <p>The burner flames lift off the ports, are yellow, or are noisy when turned off.</p>	<ul style="list-style-type: none"> • The burner ports may be clogged. • The burner needs cleaning. • The air/gas mixture is incorrect. 	<ul style="list-style-type: none"> • Clean them with a straight pin. (See page 12.) • Clean as directed on page 11. • Contact an authorized Whirlpool service technician to check the air/gas mixture or see Installation Instructions.
Cooking results are not what you expected.	<ul style="list-style-type: none"> • The cooktop is not level. • The pan used is not the correct type or size. • The flame size does not fit the cookware being used. • The flow of combustion and/or ventilation air to the cooktop is blocked. 	<ul style="list-style-type: none"> • Level the cooktop. • Refer to a reliable cookbook for recommended pan type and size. • Pan should be the same size or slightly larger than surface cooking are being used. • Remove any obstructions around knobs or burners.

Requesting Assistance or Service

To avoid unnecessary service calls, please check the "Troubleshooting" section. It may save you the cost of a service call. If you still need help, follow the instructions below.

If you need assistance or service in the U.S.A.:

1. If the problem is not due to one of the items listed earlier in this section*...

Call the Whirlpool Consumer Assistance Center telephone number. Dial toll-free from anywhere in the U.S.A.: 1-800-253-1301



and talk with one of our trained consultants. The consultant can instruct you in how to obtain satisfactory operation from your appliance or, if service is necessary, recommend a qualified service company in your area.

If you prefer, write to:

Whirlpool Brand Home Appliances
Consumer Assistance Center
c/o Correspondence Dept.
2000 North M-63
Benton Harbor, MI 49022-2692

Please include a daytime phone number in your correspondence.

2. If you need service* ...

Whirlpool has a nationwide network of authorized



Whirlpool service companies. Whirlpool service technicians are trained to fulfill the product warranty and provide after-warranty service, anywhere in the United States. To locate the authorized

Whirlpool service company in your area, call our Consumer Assistance Center telephone number (see Step 1) or look in your telephone directory Yellow Pages under:

• **APPLIANCE-HOUSEHOLD-MAJOR, SERVICE & REPAIR**
- See: Whirlpool Appliances or Authorized Whirlpool Service
(Example: XYZ Service Co.)

• **WASHING MACHINES & DRYERS, SERVICE & REPAIR**
- See: Whirlpool Appliances or Authorized Whirlpool Service
(Example: XYZ Service Co.)

3. If you need FSP® replacement parts ...

FSP is a registered trademark of Whirlpool Corporation for quality parts. Look for this symbol of quality whenever you need a replacement part for your WHIRLPOOL® appliance. FSP replacement parts will fit right and work right because they are made to the same exacting specifications used to build every new WHIRLPOOL appliance.

To locate FSP replacement parts in your area, refer to Step 2 or call the Whirlpool Consumer Assistance Center number (see Step 1).

*When asking for help or service: Please provide a detailed description of the problem, your appliance's complete model and serial numbers, and the purchase date. (See the "A Note to You" section.) This information will help us respond properly to your request.

If you need assistance or service in Canada:

1. If the problem is not due to one of the items listed earlier in this section* ...

Call the Inglis Limited Consumer Assistance Centre



telephone number toll-free, 8:30 a.m. – 6 p.m. (EST), at 1-800-461-5681 and talk with one of our trained consultants.

The consultant can instruct you in how to obtain satisfactory operation from your appliance or, if service is necessary, recommend a qualified service company in your area.

If you prefer, write to:

Consumer Relations Department
Inglis Limited
1901 Minnesota Court
Mississauga, Ontario L5N 3A7

Please include a daytime phone number in your correspondence.

2. If you need service* ...

Contact your nearest Inglis Limited Appliance Service branch or authorized servicing outlet to service your appliance. (See list below.)

3. If you need FSP® replacement parts ...

FSP is a registered trademark of Whirlpool Corporation for quality parts. Look for this symbol of quality whenever you need a replacement part for your WHIRLPOOL® appliance. FSP replacement parts will fit right and work right because they are made to the same exacting specifications used to build every new WHIRLPOOL appliance.

To locate FSP replacement parts in your area, refer to Step 2 or call the Inglis Limited Consumer Assistance Centre number (see Step 1).

* When asking for help or service: Please provide a detailed description of the problem, your appliance's complete model and serial numbers, and the purchase date. (See the "A Note to You" section.) This information will help us respond properly to your request.

Inglis Limited Appliance Service – Consumer Services

Direct service branches:

BRITISH COLUMBIA		1-800-665-6788
ALBERTA		1-800-661-6291
ONTARIO (except 807 area code)	Ottawa area Outside the Ottawa area	1-800-267-3456 1-800-807-6777
MANITOBA, SASKATCHEWAN and 807 area code in ONTARIO		1-800-665-1683
QUEBEC	Montreal (except South Shore) South Shore Montreal Quebec City Sherbrooke	1-800-361-3032 1-800-361-0950 1-800-463-1523 1-800-567-6966
ATLANTIC PROVINCES		1-800-565-1598

WHIRLPOOL® Gas Cooktop Warranty

LENGTH OF WARRANTY	WHIRLPOOL WILL PAY FOR
FULL ONE-YEAR WARRANTY FROM DATE OF PURCHASE	FSP® replacement parts and repair labor to correct defects in materials or workmanship. Service must be provided by an authorized Whirlpool service company.
WHIRLPOOL WILL NOT PAY FOR	
<p>A. Service calls to:</p> <ol style="list-style-type: none"> 1. Correct the installation of your cooktop. 2. Instruct you how to use your cooktop. 3. Replace house fuses or correct house wiring or plumbing. <p>B. Repairs when your cooktop is used in other than normal, single-family household use.</p> <p>C. Pickup and delivery. Your cooktop is designed to be repaired in the home.</p> <p>D. Damage to your cooktop caused by accident, misuse, fire, flood, acts of God, or use of products not approved by Whirlpool.</p> <p>E. Repairs to parts or systems resulting from unauthorized modifications made to the appliance.</p> <p>F. In Canada, travel or transportation expenses for customers who reside in remote areas.</p>	

8/98

WHIRLPOOL CORPORATION AND INGLIS LIMITED SHALL NOT BE LIABLE FOR INCIDENTAL OR CONSEQUENTIAL DAMAGES. Some states or provinces do not allow the exclusion or limitation of incidental or consequential damages, so this exclusion or limitation may not apply to you. This warranty gives you specific legal rights, and you may also have other rights which vary from state to state or province to province.

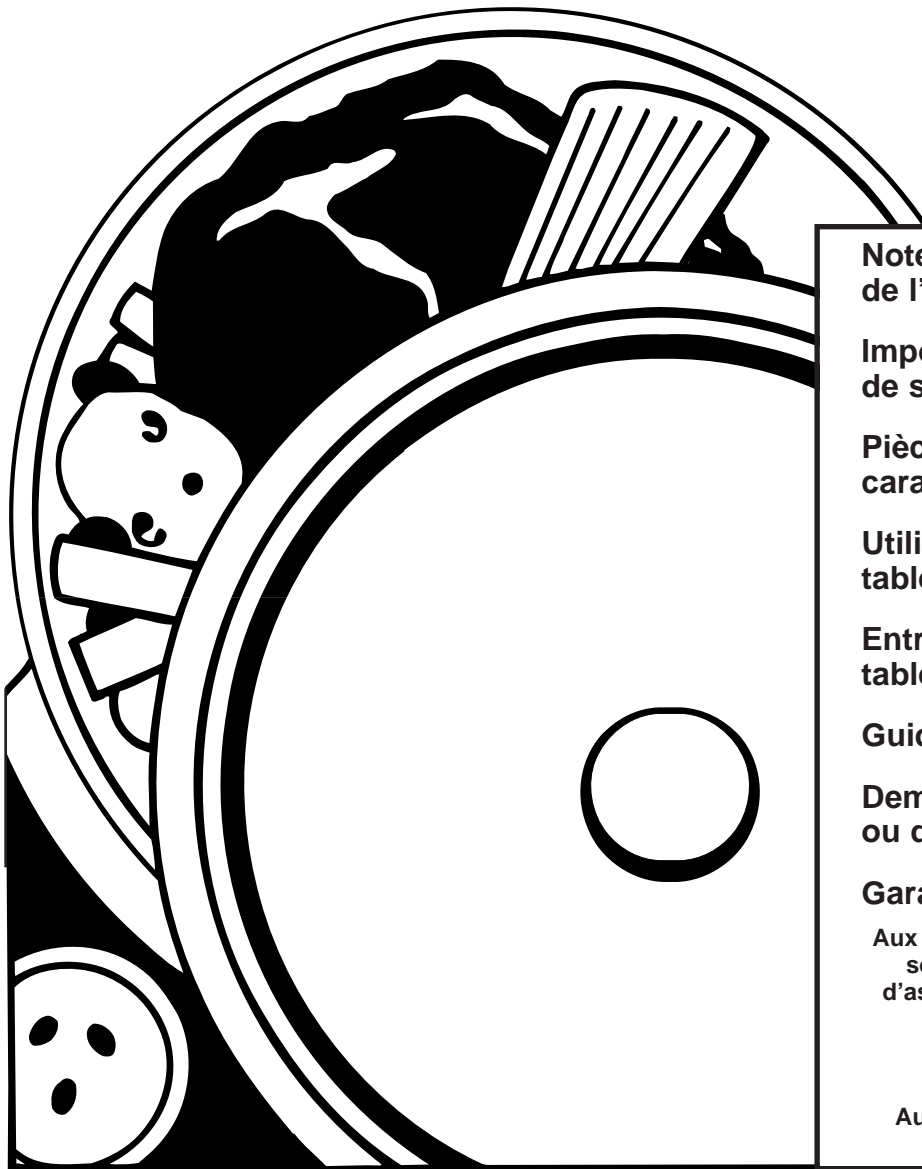
Outside the United States and Canada, a different warranty may apply. For details, please contact your authorized Whirlpool dealer.

If you need service, first see the "If You Need Assistance or Service" section of this book. After checking "If You Need Assistance or Service," additional help can be found by calling the Whirlpool Consumer Assistance Center telephone number, **1-800-253-1301**, from anywhere in the U.S.A. In Canada, contact your authorized Inglis Limited Appliance Service company.



G U I D E

d'utilisation et d'entretien



Note à l'intention
de l'utilisateur2

Importantes instructions
de sécurité3

Pièces et
caractéristiques5

Utilisation de la
table de cuisson6

Entretien de la
table de cuisson9

Guide de diagnostic13

Demande d'assistance
ou de service14

Garantie16

Aux États-Unis, pour assistance ou
service, téléphoner au Centre
d'assistance aux consommateurs

1-800-253-1301

Au Canada, pour assistance ou
service, voir page 15.

TABLE DE CUISSON MUNIE DE BRÛLEURS À GAZ SCELLÉS

**MODÈLES SCS3004G SCS3014G SCS3614G
GLT3014G GLT3614G**

Note à l'intention de l'utilisateur

Merci de votre achat d'un appareil électroménager WHIRLPOOL®.

La marque Whirlpool s'est engagée à concevoir des produits de qualité qui donnent un rendement uniforme et vous facilitent la vie. Pour que ce produit puisse vous procurer de nombreuses années de service sans problème, nous avons préparé ce Guide d'utilisation et d'entretien. Vous y trouverez de nombreux renseignements sur les méthodes d'entretien convenables et sur l'utilisation en sécurité de votre nouvel appareil. Veuillez les lire attentivement.

Veuillez aussi remplir et retourner la **carte d'inscription du produit** fournie avec votre appareil. Cette carte nous aidera à vous tenir au courant de tout nouveau renseignement au sujet de votre appareil électroménager.

Veuillez inscrire les renseignements concernant votre modèle.

Chaque fois que vous appelez pour demander le service de votre appareil, vous devez connaître le numéro de modèle et le numéro de série au complet. On trouve ces renseignements sur la plaque signalétique des numéros de modèle et de série (voir le schéma à la section Pièces et caractéristiques).

Veuillez également noter la date d'achat du produit ainsi que les nom, adresse, et numéro de téléphone du marchand.

Numéro de modèle _____

Numéro de série _____

Date d'achat _____

Nom du marchand _____

Adresse du marchand _____

Téléphone du marchand _____

Conservez ce manuel et la facture de vente en lieu sûr pour référence ultérieure. Il est important pour vous de conserver votre reçu de vente indiquant la date d'achat. Une preuve d'achat vous assurera le service d'après la garantie.

Aux États-Unis, téléphonez à notre Centre d'assistance aux consommateurs, sans frais en composant

1-800-253-1301

Pour trouver des renseignements détaillés au sujet du produit, l'emplacement du marchand ou du centre de service autorisé Whirlpool le plus proche, pour acheter un accessoire ou inscrire votre appareil en ligne, veuillez rendre visite à notre site web www.whirlpool.com

Au Canada, pour assistance ou service, voir la section "Demande d'assistance ou de service"

Au Canada, faites une visite à notre site web au www.whirlpool.com/canada

Importantes instructions de sécurité

Votre sécurité et celle des autres est importante.

Nous donnons de nombreux messages de sécurité importants dans ce manuel et sur votre appareil ménager. Assurez-vous de toujours lire tous les messages de sécurité et de vous y conformer.



Voici le symbole d'alerte de sécurité.

Ce symbole d'alerte de sécurité vous signale les dangers susceptibles de causer le décès et des blessures graves à vous et à d'autres.

Tous les messages de sécurité seront précédés du symbole d'alerte de sécurité et du mot "DANGER" ou "AVERTISSEMENT." Ces mots signifient :

! DANGER

Risque certain de décès ou de blessure grave si vous ne suivez pas les instructions.

! AVERTISSEMENT

Risque possible de décès ou de blessure grave si vous ne suivez pas les instructions.

Tous les messages de sécurité identifient le danger et vous disent comment réduire le risque de blessure, et ce qui peut se produire en cas de non-respect des instructions.

AVERTISSEMENT : Pour votre sécurité, les renseignements dans ce manuel doivent être observés pour réduire au minimum les risques d'incendie ou d'explosion ou pour éviter des dommages au produit, des blessures ou un décès.

- Ne pas entreposer ni utiliser de l'essence ou d'autres vapeurs ou liquides inflammables à proximité de cet appareil ou de tout autre appareil électroménager.
- QUE FAIRE DANS LE CAS D'UNE ODEUR DE GAZ
 - Ne pas tenter d'allumer un appareil.
 - Ne pas toucher à un commutateur électrique; ne pas utiliser le téléphone se trouvant sur les lieux.
 - Appeler immédiatement le fournisseur de gaz d'un téléphone voisin. Suivre ses instructions.
 - À défaut de joindre votre fournisseur de gaz, appeler les pompiers.
- L'installation et l'entretien doivent être effectués par un installateur qualifié, une agence de service ou le fournisseur de gaz.

suite à la page suivante

IMPORTANTES INSTRUCTIONS DE SÉCURITÉ

AVERTISSEMENT : Pour réduire le risque d'incendie, de choc électrique, de blessures ou de dommages lors de l'utilisation de la table de cuisson, il convient d'observer certaines précautions élémentaires dont les suivantes :

- **MISE EN GARDE** – Ne pas remiser dans des armoires au-dessus de la table de cuisson, des objets que des enfants pourraient vouloir atteindre en grim pant, et se blesser sérieusement.
- Installation appropriée – Après l'installation, la table de cuisson doit être reliée à la terre conformément aux codes locaux ou, en l'absence de codes locaux, selon le *Code national électrique, ANSI/NFPA 70* ou le *Code canadien des installations électriques, Partie 1*. S'assurer que la table de cuisson est correctement installée et reliée à la terre par un technicien qualifié.
- La table de cuisson est munie d'une fiche de liaison à la terre à trois tiges pour votre protection contre les risques de choc électrique et doit être branchée directement dans une prise de courant bien reliée à la terre. Ne pas couper ni enlever la tige de liaison à la terre de cette fiche.
- Débrancher l'alimentation électrique avant de faire l'entretien de la table de cuisson.
- Ne pas utiliser la table de cuisson pour réchauffer ou chauffer une pièce.
- Des blessures peuvent survenir du mauvais usage de la table de cuisson tel que se tenir debout sur la surface, se pencher ou s'asseoir sur le dessus de la surface.
- Entretien – Garder l'espace autour de la table de cuisson dégagé et exempt de matériaux combustibles et autres vapeurs et liquides inflammables.
- Remisage sur la table de cuisson – Des matériaux inflammables ne doivent pas être remisés sur ou près des éléments de surface.
- La taille de la flamme des brûleurs de surface devrait être ajustée de sorte qu'elle ne dépasse pas le bord d'un ustensile de cuisson.

– CONSERVEZ CES INSTRUCTIONS –

Pièces et caractéristiques

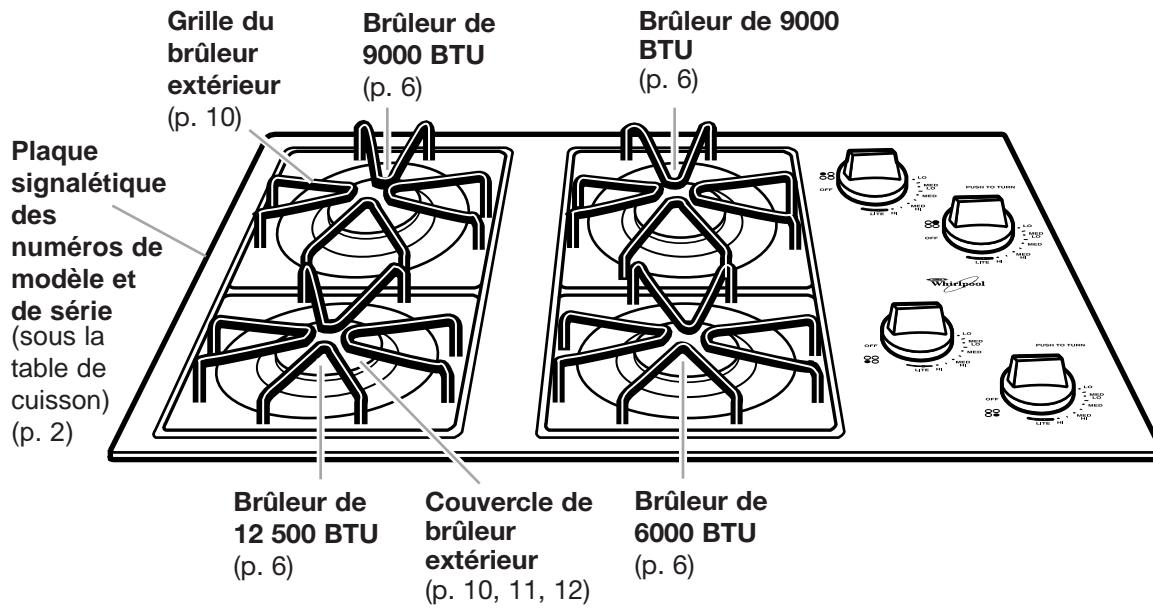
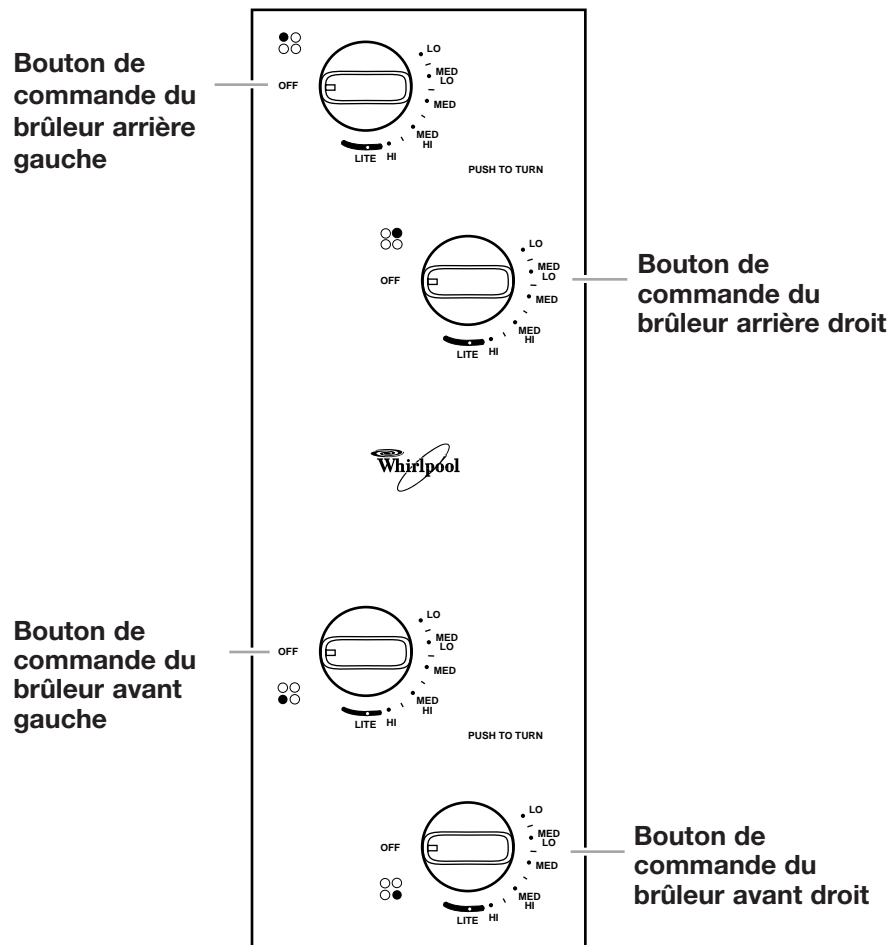


Tableau de commande



Utilisation de la table de cuisson

Utilisation des brûleurs de surface

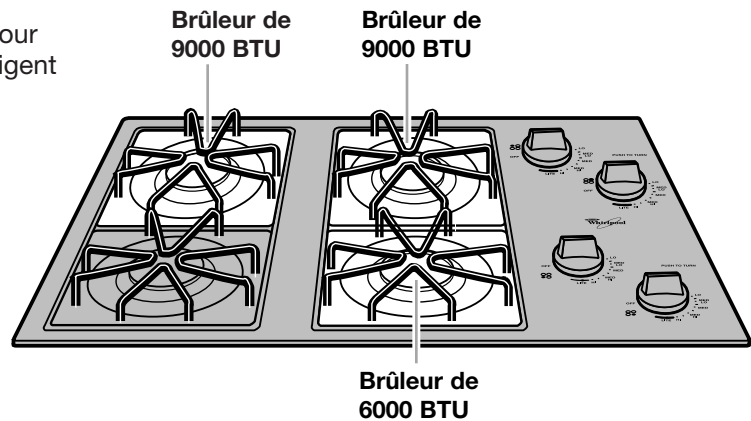
La table de cuisson est équipée de brûleurs à gaz scellés avec un système d'allumage électrique. Les brûleurs scellés diffusent la chaleur également sur la base des ustensiles de cuisson et permettent un réglage illimité.

IMPORTANT : La table de cuisson est réglée à l'usine pour être utilisée avec le gaz naturel. Si vous désirez utiliser du gaz propane, un équipement de conversion au gaz propane est fourni avec l'appareil. La conversion doit être exécutée par un technicien de service qualifié.

Quand utiliser les brûleurs avant droit, arrière droit, ou arrière gauche :

(Modèles SCS3004G, GLT3624G, GLT3014G, SCS3614G et SCS3014G)

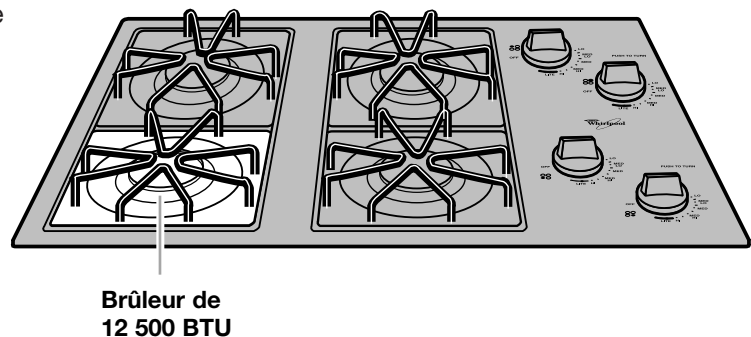
Utiliser ces brûleurs pour faire mijoter, ou pour cuire de petites quantités d'aliments qui exigent de petits ustensiles de cuisson.



Quand utiliser le brûleur avant gauche :

(Modèles GLT3614G, GLT3014G, SCS3614G et SCS3014G)

Utiliser ce brûleur pour cuire de grandes quantités d'aliments, pour grande friture ou cuire des aliments dans des ustensiles de cuisson de grande taille.



REMARQUE : Le brûleur avant gauche sur le modèle SCS3004G est de 9000 BTU.

Utilisation des brûleurs de surface (suite)

⚠️ AVERTISSEMENT



Risque d'incendie

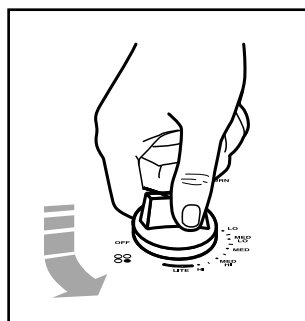
La flamme d'un brûleur ne devrait pas dépasser le bord du récipient de cuisson.

Fermer tous les réglages lorsque la cuisson est terminée.

Le non-respect de ces instructions peut causer un décès ou un incendie.

Utilisation des boutons de commande

La table de cuisson est fournie avec allumeurs électriques.



Les allumeurs électriques allument automatiquement les brûleurs chaque fois qu'on tourne le bouton de commande à LITE (ALLUMAGE).

- Placer une casserole remplie sur la grille du brûleur avant d'allumer

le brûleur. Ne pas faire fonctionner un brûleur pendant des périodes prolongées sans avoir un ustensile de cuisson sur la grille.

- Appuyer sur le bouton de commande et le tourner dans le **sens antihoraire** jusqu'à la position LITE. Le bruit sec est l'étincelle de l'allumeur. S'assurer que le brûleur s'est allumé.
- Pour arrêter le bruit sec après l'allumage du brûleur, tourner le bouton de commande au réglage de cuisson que vous désirez. On peut régler le bouton de commande à toute position entre HI (élevé) et LO (bas).

REMARQUE : Tous les quatre allumeurs électriques feront le même bruit en même temps. Toutefois, le brûleur avec le bouton de commande tourné à LITE, est celui qui s'allumera.

REMARQUE : Ne pas laisser un ustensile vide ou un ustensile dont l'ébullition est complète, sur un brûleur chaud extérieur. L'ustensile de cuisson pourrait surchauffer et causer des dommages à l'ustensile ou à l'appareil de cuisson.

Réglage de chaleur des brûleurs

Utiliser le tableau suivant comme guide.

RÉGLAGE	UTILISATION RECOMMANDÉE
LITE	<ul style="list-style-type: none"> • Pour allumer le brûleur.
HI	<ul style="list-style-type: none"> • Pour commencer la cuisson des aliments. • Pour amener un liquide à ébullition
MED HI	<ul style="list-style-type: none"> • Pour maintenir une ébullition. • Pour frire volaille ou crêpes.
MED	<ul style="list-style-type: none"> • Pour sauce, pouding et glaçage. • Pour cuire de grandes quantités de légumes.
MED LO	<ul style="list-style-type: none"> • Pour maintenir la cuisson des aliments après la mise en marche à un réglage plus élevé
LO	<ul style="list-style-type: none"> • Pour maintenir les aliments à la température désirée. • Pour faire fondre chocolat ou beurre • Pour mijoter un aliment.

Conseils pour économiser l'énergie

- Pour aider à raccourcir le temps de cuisson, utiliser le moins possible de liquide.
- Préchauffer vos ustensiles seulement sur recommandation et pendant la durée la plus courte possible.
- Commencer la cuisson des aliments à un réglage de chaleur plus élevé ensuite revenir au réglage plus bas pour compléter la cuisson.

Utilisation des brûleurs de surface (suite)

En cas d'une panne d'électricité prolongée

On peut allumer manuellement les brûleurs de surface. Tenir une allumette allumée près d'un brûleur et tourner le bouton de commande à la position LITE. Lorsque le brûleur s'allume, tourner le bouton de commande au réglage désiré.

Renseignements sur la préparation des conserves à la maison

Le grand diamètre de la plupart des marmites ou des autoclaves combiné avec des réglages élevés de température pendant des périodes prolongées, peuvent causer des dommages à la table de cuisson.

Pour protéger la table de cuisson :

- Centrer l'autoclave sur le brûleur de surface. Ne pas dépasser plus de 1 po en dehors de la surface du brûleur.
- Ne pas placer l'autoclave sur deux brûleurs de surface à la fois.
- Commencer avec de l'eau chaude, couvrir avec un couvercle et porter à ébullition; ensuite réduire la chaleur pour maintenir une ébullition ou le niveau requis de pression dans un autoclave.

- Se référer à votre manuel d'autoclave pour des instructions précises.

Pour des renseignements à date sur les conserves, communiquer avec le ministère de l'Agriculture du gouvernement canadien ou avec les compagnies qui fabriquent des produits de préparation des conserves.

L'utilisation de l'ustensile approprié fait une grande différence

- L'ustensile doit avoir un fond plat, des côtés droits et un couvercle qui ferme bien.
- Choisir un ustensile d'épaisseur moyenne à épaisse.
- Le matériau de l'ustensile (métal ou verre) influence la vitesse et l'uniformité du chauffage de l'ustensile.
- Lors de l'utilisation d'ustensiles de cuisson en verre ou en céramique, s'assurer que cet article convient à l'emploi sur des brûleurs de surface.
- Pour éviter le basculement, s'assurer que les casseroles et ustensiles de cuisson sont bien centrés sur les grilles.

Caractéristiques des matériaux des ustensiles de cuisson

Le matériau d'un ustensile de cuisson affecte la vitesse de transfert de chaleur de la table de cuisson à travers le matériau de l'ustensile et comment la chaleur se répand également sur le fond de l'ustensile. Choisir des ustensiles de cuisson qui fournissent les meilleurs résultats de cuisson.

Aluminium	<ul style="list-style-type: none"> • Chauffe rapidement et également. • S'utilise pour tous les genres de cuisson. • Épaisseur moyenne ou épaisse convient le mieux pour la plupart des aliments. • Utilisé comme base dans les ustensiles de cuisson pour fournir une chaleur égale.
Fonte	<ul style="list-style-type: none"> • Chauffe lentement et également. • Bon pour le brunissement et la friture. • Maintient la chaleur pour une cuisson lente. • Peut être émaillé en porcelaine.
Céramique ou vitrocéramique	<ul style="list-style-type: none"> • Chauffe lentement et inégalement. • S'utilise pour les réglages bas à moyen. • Suivre les instructions du fabricant.
Cuivre	<ul style="list-style-type: none"> • Chauffe très rapidement et également. • Utilisé comme base dans les ustensiles de cuisson pour fournir un chauffage égal.
Marmite en terre cuite	<ul style="list-style-type: none"> • Peut être utilisée pour la cuisson sur une table de cuisson, si recommandé par le fabricant. • Utilise des réglages de température basse.
Acier émaillé en porcelaine ou fonte émaillée	<ul style="list-style-type: none"> • Voir fonte et acier inoxydable.
Acier inoxydable	<ul style="list-style-type: none"> • Chauffe rapidement mais inégalement. • Un fond ou une base d'aluminium ou de cuivre sur l'ustensile de cuisson fournit un chauffage égal. • Peut être émaillé en porcelaine.

Entretien de la table de cuisson


	⚠ AVERTISSEMENT
	<p>Risque d'explosion</p> <p>Ne jamais garder de matériaux combustibles telle que l'essence près de cet appareil.</p> <p>Le non-respect de cette instruction peut causer un décès, une explosion ou un incendie.</p>

Tableau de nettoyage

Avant le nettoyage, toujours s'assurer que les commandes ne sont pas en marche et que la cuisinière est froide. Se référer aux instructions concernant tous les produits de nettoyage avant de les utiliser pour nettoyer la cuisinière.

PIÈCE	MÉTHODE DE NETTOYAGE	INSTRUCTIONS SPÉCIALES
Boutons de commande	<ul style="list-style-type: none"> • Savon et eau • Lave-vaisselle 	<ul style="list-style-type: none"> • NE PAS utiliser de laine d'acier ou un produit de nettoyage abrasif. • Retirer les boutons directement du tableau de commande. • Laver, rincer et bien sécher avec un linge doux.
Tableau de commande	<ul style="list-style-type: none"> • Savon et eau • Produit atomisable pour nettoyer le verre 	<ul style="list-style-type: none"> • Laver, rincer et sécher avec un linge doux. • Appliquer un nettoyant atomisable sur un essuie-tout; ne pas vaporiser directement sur le tableau.
Surface de la table de cuisson*	<ul style="list-style-type: none"> • Savon et eau • Nettoyant liquide doux • Nettoyant atomisable pour le verre • Tampons à récurer en plastique non abrasif 	<ul style="list-style-type: none"> • NE PAS utiliser des nettoyants abrasifs ou très forts comme un agent au chlore, ammoniac ou nettoyants de four. • Laver, rincer et sécher avec un linge doux. • Nettoyer délicatement autour de la plaque signalétique; un frottement excessif pourrait effacer les chiffres. • REMARQUE : Pour éviter les dommages à l'appareil, ne pas démonter la table de cuisson.

* Lorsque la table de cuisson est froide, enlever tous les renversements et nettoyer. Les renversements d'aliments contenant des acides, tels que le vinaigre et les tomates, peuvent affecter le fini.

Tableau de nettoyage (suite)

PIÈCE	MÉTHODE DE NETTOYAGE	INSTRUCTIONS SPÉCIALES
<p>Grilles et couvercle des brûleurs de surface* Saleté légère à modérée</p> <p>Brûlure intense sur les souillures</p>	<ul style="list-style-type: none"> • Savon et eau • Tampon à récurer en plastique non abrasif • Lave-vaisselle (grilles seulement) <ul style="list-style-type: none"> • Tampon à récurer en plastique non abrasif • Nettoyant doux abrasif en poudre et eau 	<ul style="list-style-type: none"> • Nettoyer aussitôt que la souillure survient. • Laver, rincer et bien sécher. <ul style="list-style-type: none"> • Répéter les étapes du mode de nettoyage (avec articles à gauche) au besoin jusqu'à enlèvement complet des souillures. • Rincer à fond et sécher. • REMARQUE : Ne pas remettre les couvercles sur les brûleurs pendant qu'ils sont mouillés. Ne pas laver les couvercles au lave-vaisselle.
Brûleurs de surface		<ul style="list-style-type: none"> • Voir «Brûleurs de surface scellés et table de cuisson» à la section «Entretien de la table de cuisson».

Surfaces en acier inoxydable (certains modèles)

Nettoyage des surfaces en acier inoxydable

- Ne pas utiliser des tampons à récurer en laine d'acier ou imbibés de savon
- Frotter dans le sens des lignes du grain pour éviter de marquer la surface.
- Toujours bien essuyer pour éviter les marques d'eau.

- Si des nettoyants commerciaux sont utilisés, suivre le mode d'emploi sur l'étiquette. Si le produit contient du chlore (agent de blanchiment), rincer à fond et essuyer avec un chiffon doux sans charpie. Le chlore est une substance corrosive.

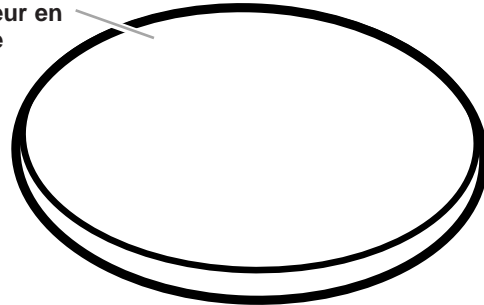
	AGENT DE NETTOYAGE	UTILISATION
Nettoyage de routine et marques de doigt	• Détergent liquide et eau; nettoyant tout-usage	• Essuyer avec un linge ou une éponge humide, ensuite rincer à l'eau propre et bien essuyer
Taches tenaces et résidus cuits à la surface	• Nettoyant doux abrasif ou nettoyants pour acier inoxydable	• Frotter dans le sens des lignes du grain avec un chiffon ou une éponge humide et un nettoyant. Bien rincer à fond. Répéter si nécessaire.
Taches d'eau dure	• Vinaigre	• Nettoyer ou essuyer avec un chiffon. Rincer à l'eau et sécher.

Brûleurs de surface scellés et table de cuisson

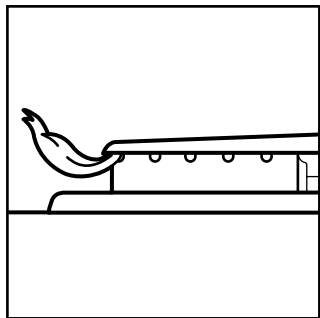
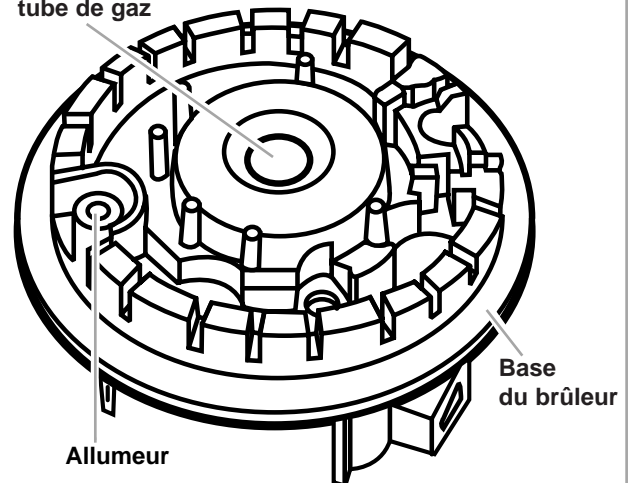
Nettoyage des brûleurs de surface

- Les couvercles des brûleurs devraient être retirés et nettoyés périodiquement. Toujours nettoyer les couvercles des brûleurs après un renversement. Des couvercles de brûleurs propres évitent des problèmes d'allumage et une instabilité de la flamme.
- Pour obtenir un flux de gaz et un allumage adéquats, ÉVITER QUE LES LIQUIDES RENVERSÉS, LA NOURRITURE, LES AGENTS NETTOYANTS OU TOUTE AUTRE SUBSTANCE NE PÉNÈTRENT DANS L'OUVERTURE DU TUBE À GAZ.
- Le gaz doit passer librement dans l'ouverture du tube de gaz pour que le brûleur s'allume bien. On doit garder cette surface exempte de toute saleté et la protéger contre les renversements ou les débordements. TOUJOURS garder le couvercle du brûleur en place chaque fois qu'un brûleur de surface est en fonction.
- Laisser la table de cuisson se refroidir avant le nettoyage.
- Ne pas utiliser des nettoyants de four, agent de blanchiment ou décapants de rouille.
- Ne pas obstruer le flux d'air aux fins de combustion et de ventilation.
- Si les boutons sont retirés lors du nettoyage, prendre soin de ne pas renverser de liquide dans les obturations de contrôle.
- Éviter la formation de moisissure dans la zone des boutons de contrôle. La moisissure peut empêcher les interrupteurs d'allumage de fonctionner.

Couvercle de brûleur en fonte



Ouverture du tube de gaz

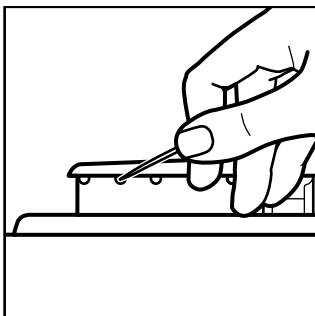


À l'occasion, vérifier la flamme des brûleurs pour qu'elle présente la taille et la forme illustrée plus loin dans cette section. Une flamme correcte a une couleur bleue. Si la flamme sort de l'entrée des brûleurs, si elle est jaune ou si elle est bruyante lorsqu'on l'éteint, elle peut nécessiter un nettoyage.

Brûleurs de surface scellés et table de cuisson (suite)

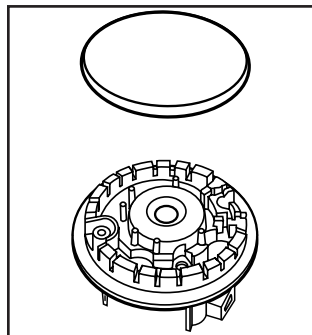
Pour nettoyer les brûleurs :

1. Retirer le couvercle du brûleur de sa base en tirant vers le haut.
2. Nettoyer le couvercle du brûleur avec une eau savonneuse tiède et une éponge. Pour les taches tenaces, nettoyer avec un bloc à récurer légèrement abrasif et un détergent en poudre. Ne pas nettoyer le couvercle du brûleur dans un lave-vaisselle ou dans un four autonettoyant.
3. Si l'ouverture du tube de gaz est sale ou encrassée, utiliser un coton-tige ou un linge doux pour la nettoyer.
4. **Si les orifices sont obstrués, les nettoyer avec une épingle droite. Ne pas agrandir ou déformer l'orifice.**



avec une épingle droite. Ne pas agrandir ou déformer l'orifice.
Ne pas utiliser un cure-dents en bois. Si le brûleur a besoin d'être ajusté, faire venir un technicien de service qualifié.

5. Après le nettoyage de l'ouverture du tube de gaz



et des orifices, replacer les couvercles des brûleurs. Pour replacer les couvercles des brûleurs, s'assurer que les chevilles d'alignement sur la base du brûleur sont bien alignées avec le couvercle.

6. Mettre le brûleur en marche pour voir s'il s'allumera. Si le brûleur ne s'allume pas après avoir été nettoyé, contacter un technicien de service autorisé. Ne pas faire vous-même la réparation d'un brûleur scellé.

Guide de diagnostic

On peut résoudre facilement de nombreux problèmes communs aux tables de cuisson, ce qui fait économiser possiblement une visite de service. Vérifier les suggestions ci-dessous pour voir si vous pouvez résoudre votre problème, sans aide extérieure. Si les suggestions ne répondent pas à votre problème, voir «Demande d'assistance ou de service» à la page 14 (aux États-Unis) ou à la page 15 (au Canada).

Problème	Cause de Problème	Solution
Rien ne fonctionne	<ul style="list-style-type: none"> • L'appareil n'est pas relié à un circuit actif avec tension appropriée. • La table de cuisson n'est pas bien reliée à un approvisionnement de gaz. • Un fusible est grillé ou un disjoncteur s'est ouvert. • Un bouton de commande n'est pas réglé correctement. 	<ul style="list-style-type: none"> • Relier l'appareil de cuisson à un circuit actif avec tension appropriée. (Voir Instructions d'installation) • Communiquer avec un technicien de service Whirlpool autorisé pour brancher de nouveau la table de cuisson à la canalisation de gaz. • Remplacer le fusible ou remettre le disjoncteur en fonction. • Enfoncer les boutons de commande avant de les tourner pour le réglage.
Les brûleurs ne s'allument pas	<ul style="list-style-type: none"> • Un fusible est grillé ou un disjoncteur s'est ouvert • Le brûleur est mouillé après avoir été lavé. • La soupape du brûleur peut être obstruée 	<ul style="list-style-type: none"> • Remplacer le fusible ou remettre le disjoncteur en fonction. • Le laisser sécher. • Le nettoyer avec une épingle droite. (Voir page 12.)
<p>Les flammes du brûleur sont inégales</p> <p>Les flammes du brûleur se soulèvent de l'ouverture, sont jaunes ou font du bruit lorsqu'elles sont éteintes.</p>	<ul style="list-style-type: none"> • Les ouvertures des brûleurs peuvent être obstruées. • Le brûleur a besoin de nettoyage. • Le mélange air/gaz est incorrect. 	<ul style="list-style-type: none"> • Nettoyer avec une épingle droite. Voir page 12. • Nettoyer selon les directions à la page 11. • Communiquer avec un technicien de service Whirlpool autorisé pour vérifier le mélange air/gaz ou voir les instructions d'installation.
Les résultats de cuisson ne sont pas ceux qui étaient prévus	<ul style="list-style-type: none"> • La table de cuisson n'est pas d'aplomb. • L'ustensile de cuisson utilisé n'est pas du type ou de la dimension correct. • La grosseur de la flamme ne convient pas à l'ustensile de cuisson utilisé. • Le débit d'air de combustion et/ou de ventilation à la table de cuisson est bloqué. 	<ul style="list-style-type: none"> • Mettre la table de cuisson d'aplomb. • Se référer à un livre de recettes fiable pour le type ou la dimension de l'ustensile de cuisson recommandé. • L'ustensile doit être de la même taille ou légèrement plus grand que la surface de cuisson utilisée. • Enlever toutes les obstructions autour des boutons ou des brûleurs.

Demande d'assistance ou de service

Pour éviter des visites de service non nécessaires, veuillez vérifier la section "Guide de diagnostic". Cette vérification peut vous faire économiser le coût d'une visite de service. Si vous avez encore besoin d'aide, suivre les instructions ci-dessous

Si vous avez besoin d'assistance ou de service aux États-Unis :

1. Si le problème n'est pas attribuable à l'une des causes indiquées précédemment dans cette section†...

Téléphoner au Centre d'assistance aux



consommateurs Whirlpool au numéro de téléphone 1-800-253-1301 à composer sans frais partout aux États-Unis et parler à l'un de nos consultants qualifiés. Le consultant peut vous indiquer comment obtenir un fonctionnement satisfaisant de votre appareil ou si le service est nécessaire, peut recommander une compagnie de service qualifiée dans votre région.

Si vous le préférez, écrire à :

Whirlpool Brand Home Appliances
Consumer Assistance Center
c/o Correspondence Dept.
2000 North M-63
Benton Harbor, MI 49022-2692

Dans votre correspondance, veuillez indiquer un numéro de téléphone où on peut vous rejoindre dans la journée.

2. Si vous avez besoin de service*...

Whirlpool possède un réseau dans tout le pays de



compagnies de service autorisées Whirlpool. Les techniciens de service Whirlpool sont formés pour répondre à la garantie du produit et fournir les services après garantie partout aux États-Unis. Pour

localiser la compagnie de service autorisée Whirlpool, téléphoner à notre Centre d'assistance aux consommateurs (voir Étape 1) ou consulter les pages jaunes de votre annuaire de téléphone sous les rubriques suivantes :

• **APPLIANCE-HOUSEHOLD-MAJOR, SERVICE & REPAIR**
- Voir: Whirlpool Appliances ou Authorized Whirlpool Service (Exemple: XYZ Service Co.)

• **WASHING MACHINES & DRYERS, SERVICE & REPAIR**
- Whirlpool Appliances or Authorized Whirlpool Service (Exemple: XYZ Service Co.)

3. Si vous avez besoin de pièces de rechange FSP®...

FSP est la marque de commerce déposée de Whirlpool Corporation pour des pièces de qualité. Rechercher ce symbole de qualité chaque fois que vous avez besoin d'une pièce de rechange pour votre appareil électroménager WHIRLPOOL®. Les pièces de rechange FSP conviendront exactement et fonctionneront précisément parce qu'elles sont fabriquées selon les mêmes spécifications précises utilisées pour construire chaque nouvel appareil électroménager WHIRLPOOL.

Pour localiser les pièces de rechange FSP dans votre région, se référer à l'Étape 2 ou composer le numéro de téléphone du Centre d'assistance aux consommateurs Whirlpool (voir Étape 1).

* Lorsque vous demandez de l'aide ou un service, veuillez donner une description détaillée du problème, les numéros de série et de modèle complets de l'appareil et la date d'achat. (Voir la section "Note à l'utilisateur".) Ces renseignements nous aideront à mieux répondre à votre demande.

Demande d'assistance ou de service au Canada :

1. Si le problème n'est pas attribuable à l'un des cas indiqués plus haut dans cette section†...

Contactez le centre d'assistance aux consommateurs



d'Inglis Limitée en composant le numéro de téléphone, entre 8 h 30 et 18 h (HNE), 1-800-461-5681 et parlez à l'un de nos consultants formés. Le consultant vous indiquera comment obtenir un fonctionnement satisfaisant de votre appareil ménager ou si le service est nécessaire, recommandera une compagnie de service qualifiée dans votre région.

Si vous le préférez, écrire à :

Service des relations avec la clientèle
Inglis Limitée
1901 Minnesota Court
Mississauga, Ontario L5N 3A7

Veuillez indiquer dans votre correspondance un numéro de téléphone où l'on peut vous joindre le jour.

2. Si vous avez besoin de service* ...

Contactez votre succursale de service d'appareils électroménagers ou le Centre de service autorisé Inglis Limitée le plus proche pour l'entretien de votre appareil électroménager. (Voir la liste ci-dessous.)

3. Si vous avez besoin de pièces de rechange FSP®...

FSP est la marque de commerce déposée de Whirlpool Corporation pour des pièces de qualité. Recherchez ce symbole de qualité chaque fois que vous avez besoin d'une pièce de rechange pour votre appareil électroménager WHIRLPOOL®. Les pièces de rechange FSP conviendront exactement et fonctionneront précisément parce qu'elles sont fabriquées selon les mêmes spécifications précises utilisées pour construire chaque nouvel appareil WHIRLPOOL.

Pour localiser les pièces de rechange FSP dans votre région, se référer à l'étape 2 ou composer le numéro de téléphone du Centre d'assistance aux consommateurs Inglis (voir étape 1).

* Lorsque vous contactez le service de dépannage, veuillez inclure une description détaillée du problème, les numéros de modèle et de série, et la date d'achat. (Voir la section "Note à l'utilisateur".) Ces renseignements nous sont nécessaires pour répondre rapidement à votre demande.

Service d'appareils ménagers Inglis Limitée – Service aux consommateurs

Succursales de service direct :

COLOMBIE-BRITANNIQUE		1-800-665-6788
ALBERTA		1-800-661-6291
ONTARIO (à l'exception de l'indicatif régional 807)	Région d'Ottawa En dehors de la région d'Ottawa	1-800-267-3456 1-800-807-6777
MANITOBA, SASKATCHEWAN et indicatif régional 807 en Ontario		1-800-665-1683
QUÉBEC	Montréal (à l'exception de la rive Sud) Rive Sud Montréal Québec Sherbrooke	1-800-361-3032 1-800-361-0950 1-800-463-1523 1-800-567-6966
PROVINCES DE L'ATLANTIQUE		1-800-565-1598

WHIRLPOOL®

Garantie

de la table de cuisson à gaz

DURÉE DE LA GARANTIE	WHIRLPOOL PAIERA POUR
GARANTIE COMPLÈTE DE UN AN À COMPTER DE LA DATE D'ACHAT	Pièces de rechange FSP® et frais de main-d'oeuvre pour rectifier les défauts de matériaux ou de fabrication. Les travaux doivent être exécutés par le personnel d'un établissement de service Whirlpool autorisé.
WHIRLPOOL NE PAIERA PAS POUR	
<p>A. Les visites d'un dépanneur pour :</p> <ol style="list-style-type: none"> 1. Corriger l'installation de la table de cuisson. 2. Donner des instructions concernant l'utilisation de la table de cuisson. 3. Remplacer les fusibles ou rectifier l'installation électrique ou la plomberie de la maison. <p>B. Les réparations lorsque la table de cuisson est utilisée à des fins autres que l'usage domestique d'une seule famille.</p> <p>C. Le transport vers l'atelier et le retour. La table de cuisson est conçue pour être réparée à domicile.</p> <p>D. Les dommages à la table de cuisson causés par accident, mauvais usage, incendie, inondation, cas de force majeure, ou utilisation de produits non approuvés par Whirlpool.</p> <p>E. Les réparations de pièces ou systèmes imputables à des modifications non autorisées exécutées sur l'appareil.</p> <p>F. Au Canada, les dépenses de voyage ou de transport pour les clients qui habitent dans des régions éloignées.</p>	

8/98

WHIRLPOOL CORPORATION ET INGLIS LIMITÉE N'ASSUME AUCUNE RESPONSABILITÉ POUR LES DOMMAGES INDIRECTS OU FORTUITS. Certains États ou provinces ne permettent pas l'exclusion ou la limitation des dommages indirects ou fortuits, de sorte que cette exclusion ou limitation peut ne pas être applicable dans votre cas. Cette garantie vous confère des droits juridiques spécifiques et vous pouvez également jouir d'autres droits variables d'un État à un autre ou d'une province à une autre.

Hors des États-Unis et du Canada, une garantie différente peut s'appliquer. Pour de plus amples détails, contacter le marchand Whirlpool autorisé.

Si vous avez besoin d'entretien, voir d'abord la section «Si vous avez besoin d'assistance ou de service» du présent manuel. Après avoir vérifié cette section, vous pouvez recevoir de l'aide supplémentaire en téléphonant au Centre d'aide à la clientèle Whirlpool, en composant **1-800-253-1301**, de partout aux États-Unis. Au Canada, contacter le service d'appareils ménagers, compagnie Inglis Limitée.