

ELECTRONIC OVEN CONTROL

Control Pad Functions

Read the instructions carefully before using the oven. For satisfactory use of your oven, become familiar with the various functions of the oven as described below. **Note:** The graphics on your timer may not look exactly like the one shown. This doesn't change the way it operates.

Note: The oven function will not work if the time of day clock is not set.

Speed Bake Pad- Used to enter the speed bake mode temperature (some models).

Speed Clean Pad- Used to select the speed clean cycle (some models).

Bake Time Pad- Used to enter the length of the baking time.

Up and Down arrow pads- Used along with the function pads to select oven temperature, cooking time, start time (when programming an automatic start time), time of day, clean time and minute timer.

Clock Pad- Used to set the time of day.

Feature indicator lights- These light show which feature is in use.

Bake Pad Used to enter the normal baking mode temperature.

Broil Pad- Used to select the variable broil function.

Keep Warm Pad- Used to set the Keep Warm feature.

Clean Pad Used to select the self-cleaning cycle.

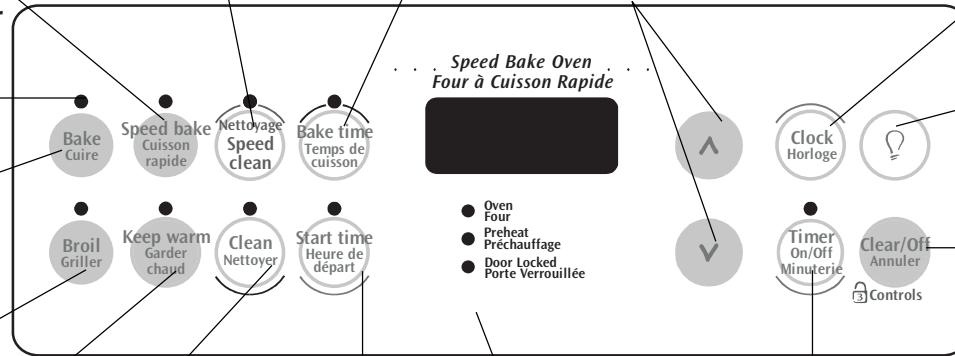
Start Time Pad- Used to set the desired start time for baking. Can be used with **BAKE TIME** to program a delayed bake cycle.

Timer Pad- Used to set or cancel the minute timer. The minute timer does not start or stop cooking.

Oven, Preheat & Lock lights- The "oven" light indicates that the oven is functioning. The "Preheat" light will glow when the oven is first set to operate, or if the desired temperature is reset higher than the actual oven temperature. The "Door Locked" light will flash until the door locks when the self-clean cycle is in use. It glows constantly after the door locks (some models).

Oven Interior Light Pad- Used to turn oven interior light ON and OFF.

Clear Pad- Used to clear any function previously entered except the time of day and minute timer. Push **Clear pad** to stop cooking.



The oven can be programmed to:

Bake normally, Speed Bake, Keep warm, Time Bake, Delay Start (delayed bake), Broil, Clean and Speed Clean.

Note: Push buttons or pads may be shaped differently.

For a silent control panel:

When choosing a function, a beep will be heard each time a pad is pushed. If desired, the controls can be programmed for silent operation.

To tell if your oven is set for normal or silent operation push and hold **START TIME** pad for 7 seconds. "--" or "SP" appears in the display. Within 5 seconds, press **▲** or **▼** to switch between normal sound operation and silent operation mode. The display will show either "--" or "SP". Wait 5 seconds to return to normal operating mode.

Note: If "SP" appears, the control will operate with normal sounds and beeps. If "--" appears, the control is in the silent operation mode.

Temperature Conversion (Fahrenheit / Celsius)

The electronic oven control is set to operate in °F (Fahrenheit) when shipped from the factory. The oven can be programmed for any temperature from 170°F to 550°F (77°C to 288°C).

To change the temperature to °C (Celsius) or from °C to °F (control should not be in a Bake or Clean mode):

1. Press and hold **BROIL** pad for 7 seconds until °F or °C appears in the display.
2. Press **▲** or **▼** to change °F to °C or °C to °F.
3. Wait 5 seconds to accept the changes or press **CLEAR/OFF** pad to accept the changes.

Setting the Clock and Minute Timer

Note: The time of day **must** first be set in order to operate the oven.

To set the Clock

When the range is first plugged in, or when the power supply to the appliance has been interrupted, the display will flash "12:00".

1. Press the **CLOCK** pad once (do not hold pad down).
2. Within 5 seconds, push and hold **▲** or **▼** until the correct time of day appears in the display.
3. Press the **CLOCK** pad to accept the new time of day. If the **CLOCK** pad is not pressed, the timer will return automatically to the new time of day after 7 seconds.

Note: The clock cannot be changed during any bake, speed bake, timed bake, delayed time bake, broil, clean, speed clean or delayed clean cycle.

Changing between 12 or 24 Hour Time of Day Display

1. Press and hold the **CLOCK** pad for 7 seconds. After 7 seconds, "12Hr" or "24Hr" will appear in the display and the control will beep once.
2. Press **▲** or **▼** to switch between the 12 and 24 hour time of day display. The display will show either "12Hr" or "24Hr".
3. Wait 5 seconds or press the **CLEAR/OFF** pad to return to the time of day display.
4. Reset the correct time as described in **To set the Clock** above. Please note that if the 24 hour time of day mode was chosen, the clock will now display time from 0:00 through 23:59 hours.

To Set the Minute Timer

1. Press the **TIMER ON/OFF** pad.
2. Press **▲** to increase or **▼** to decrease the time in one minute increments. The timer can be set for any amount of time from 1 minute to 11 hours and 59 minutes.
3. The display shows the timer count down in minutes if more than 1 hour remains. When less than 1 hour remains, the display will count down in seconds.
4. When the set time has run out, the timer will beep 3 times. It will continue to beep 3 times every 8 seconds until the **TIMER ON/OFF** pad is pressed.

Note: The indicator light located above the **TIMER ON/OFF** pad will glow while the minute timer is active.

Note: The minute timer does not start or stop cooking. It serves as an extra timer in the kitchen that will beep when the set time has run out. The minute timer can be used alone or during any of the other oven functions. When the minute timer is in use with any other mode, the minute timer will be shown in the display. To view other functions, press the function pad for that mode.

To Cancel the Minute Timer before the set time has run out: Press the **TIMER ON/OFF** pad.

To Set Control for Continuous Bake or 12 Hour Energy Saving:

The oven control has a built-in 12 Hour Energy Saving feature that will shut off the oven if the control is left on for more than 11 hours and 59 minutes. The oven can be programmed to override this feature for continuous baking.

To set control for continuous baking:

1. Press and hold the **TIMER ON/OFF** pad for 7 seconds until a tone is heard.
2. Within 5 seconds, press **▲** or **▼** to switch between Continuous Bake and 12 Hour Energy Saving mode. The display will show either "— — hr" or "12hr".
If "-- hr" appears, the oven will be set to continuous baking. If "12hr" appears, the oven is set to 12 hour energy saving mode.
3. Wait 5 seconds or press the **CLEAR/OFF** pad to accept the changes.

Setting Oven Controls

To Set Control for Oven Lockout (some models):

The control can be programmed to lock the oven door (some models) and/or lock the oven control pads (all models). The Oven Lockout feature prevents the oven from being accidentally turned on. It does not disable the clock, minute timer or the interior oven light.

To Set Control for Oven Lockout feature:

1. Press the **CLEAR/OFF** pad and hold for 3 seconds. The "Door Locked" indicator light will flash and the motor driven door lock will begin to close automatically. **DO NOT open the oven door** while the indicator light is flashing. Allow about 15 seconds for the oven door to lock. Once the oven door is locked, "Loc " will appear in display.
2. To cancel the Oven lockout feature, press the **CLEAR/OFF** pad and hold for 3 seconds. The control will unlock the oven door and resume normal operation.

To Set or Change the Temperature for Normal or Speed Baking

The oven can be programmed to bake at any temperature from 170°F to 550°F (77°C to 288°C).

To Set the Controls for Normal or Speed Baking:

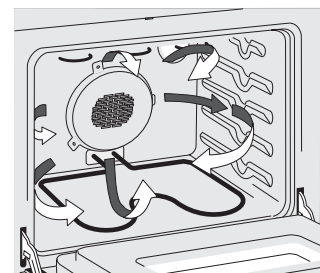
1. Press the **BAKE** or **SPEED BAKE** pad. "— — — °" appears in the display.
2. Within 5 seconds, Press **▲** or **▼**. The display will show "350°F (177°C)." By holding **▲** or **▼**, the temperature can then be adjusted in 5°F (1°C if control is set to display Celsius) increments.
3. 8 seconds after **▲** or **▼** is released, the oven will begin heating to the selected temperature. When the displayed temperature reaches the desired baking temperature, the preheat indicator light will turn OFF.
4. To cancel the baking function, press the **CLEAR/OFF** pad.

To Change the Oven Temperature after Baking has Started:

Press **▲** or **▼** to increase or decrease the set temperature.

Speed Bake™ Cooking System (some models)

Speed Bake™ Cooking System uses a fan to circulate the oven's heat uniformly and continuously around the oven. This improved heat distribution allows for fast, even cooking and browning results. It also gives better baking results when using two racks at the same time. Heated air flows around the food from all sides, sealing in juices and flavors. Meats cooked with **Speed Bake™ Cooking System** are juicer. Poultry is crisp on the outside while staying tender and moist on the inside. Breads and pastry brown more evenly. Most foods baked in a standard oven can be cooked faster and more evenly with **Speed Bake™ Cooking System**.

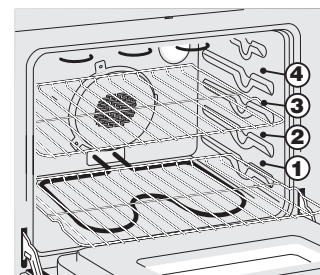


Benefits of Speed Bake™ Cooking System:

- Foods cook up to 30% faster, saving time and energy.
- Two racks can be used with more even cooking and browning.
- No special pans or bakeware needed.

General Cooking Instructions:

1. To convert baking times from normal recipes to **Speed Bake** times, start with a 30% reduction in time and increase the time until desired doneness is obtained. Time reductions will vary depending on the amount and type of food.
2. Preheating is not necessary when cooking with **Speed Bake**, except with items such as cakes, cookies, biscuits, breads, etc.
3. When using two racks at the same time, place them in positions 1 and 3 for the best results.
4. When baking cakes with **Speed Bake**, set temperature 25°F (13°C) degrees lower than the recommended setting for best results.



To Set the Control for Speed Baking:

See Instructions above under "To Set or Change the Temperature for Normal or Speed Baking".

Recommended Foods for Speed Bake™ Cooking System

Food Item	Decrease Cook Time by:
Casseroles	25%
Meats	15% (or 5 mins/pound)
Poultry	30% (or 10 mins/pound)
Frozen Foods	20%
Refrigerator Cookies or Biscuits	25% (or 2 to 5 min.)
Rolls/Breads/Pizza	25% (or 5 min.)
Vegetables	25%
Baked potatoes	25%
Pies/Pastries	30%

Setting Oven Controls (continued)

Broil

Broiling is a method of cooking tender cuts of meat by direct heat under the broil element of the oven. Be sure you center the broiler pan directly under the broil element for best results.

Arrange oven rack while oven is still cool. Position the rack as needed. The broiler pan and its insert allow dripping grease to drain and be kept away from the high heat of the broiler. **DO NOT** use the pan without its insert. **DO NOT cover the insert with foil.** The exposed grease could ignite.

⚠ WARNING Should an oven fire occur, close the oven door and turn off the oven. If the fire continues, throw baking soda on the fire or use a fire extinguisher. **DO NOT** put water or flour on the fire. Flour may be explosive and water can cause a grease fire to spread and cause personal injury.

To set for broiling:

1. Place the insert on the broiler pan, then place the food on the insert. **DO NOT** use the pan without the insert or cover the insert with **aluminum foil**. The exposed grease could ignite.
2. Arrange the oven rack while oven is still cool. Be sure to center the broiler pan directly under the broiler element/burner. **Electric Oven: Make sure the oven door is in the broil stop position (see Figure 2).** **Gas Oven: Close the oven door. For optimum browning, preheat broil burner for 3-4 minutes before adding food.**
3. Press the **BROIL** pad. "- -" will appear in the display.
4. Press **▲** or **▼** until the desired broil setting level appears in the display. Press **▲** for **HI** broil or **▼** for **LO** broil. Most foods may be broiled at the **HI** broil setting. Select the **LO** broil setting to avoid excess browning or drying of foods that should be cooked to the well-done stage.
5. Broil on one side until food is browned. Turn and broil food on 2nd side. **Note:** Always pull the rack out to the stop position before turning or removing food.
6. When broiling is finished, press the **CLEAR/OFF** pad.

To Operate the Oven Light(s)

The interior oven light(s) will automatically turn ON when the oven door is opened.

Press  to turn the interior light(s) ON and OFF whenever the door is closed.

The interior oven light(s) is (are) located at the upper left (and right, some models) rear wall of the oven interior and is covered with a glass shield held by a wire holder. The glass shield must be in place whenever the oven is in use. To change the interior oven light(s), see changing the Oven Light in the **General Care & Cleaning** section in the Owner's Guide.

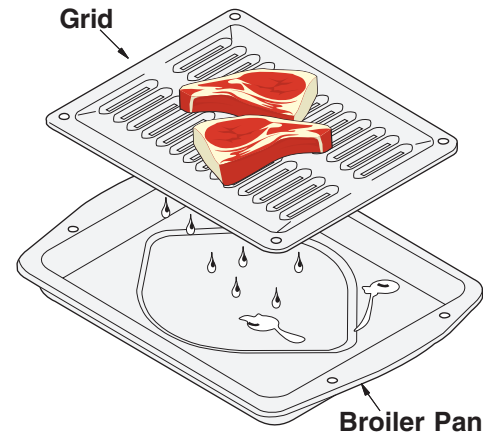
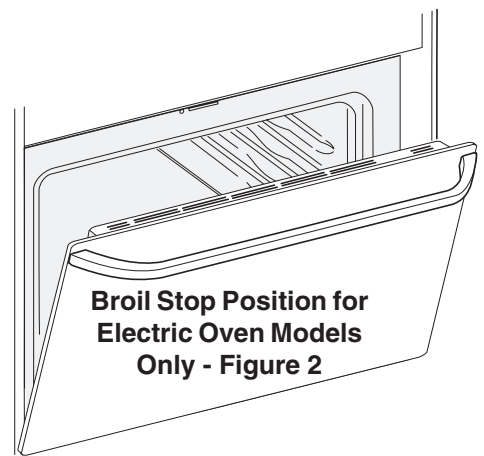


Figure 1



Broil Stop Position for
Electric Oven Models
Only - Figure 2

Setting Oven Controls (continued)

To Set the Timed Bake and Delay Start Features

The **BAKE TIME** and **START TIME** pads operate the features that will turn the oven ON and OFF at the times you select in advance. The oven can be programmed to start immediately and shut off automatically (Timed Bake) or to begin baking at a later time with a delayed start time (Delay Start).

Note: During Timed Bake the preheat indicator light will function during the preheat operation.

To Program the Oven to Begin Baking Immediately and To Shut Off Automatically (Timed Bake):

1. Be sure that the clock shows the correct time of day.
2. Place the food in the oven.
3. Press the **BAKE** pad. "— — °" appears in the display.
4. Within 5 seconds, press **▲** or **▼**. The display will show "350°F (177°C)". By holding **▲** or **▼**, the temperature can then be adjusted in 5°F increments (1° if the control is set to display Celsius).
5. Wait 8 seconds to accept the temperature.
6. Press the **BAKETIME** pad. "0:00" will flash in the display (MIN:SEC) and (HR:MIN) if programmed for more than 60 minutes.
7. Press **▲** or **▼** until the desired baking time appears in the display.
8. The oven will turn ON and begin heating.

Note: When the control is set for this function the oven temperature will be displayed. To see the cook time remaining press the **BAKE TIME** pad and to see the time of day press the **CLOCK** pad.

To Program Oven for a Delayed Start Time and to Shut-Off Automatically (Delayed Start Bake):

1. Be sure that the clock shows the correct time of day.
2. Place the food in the oven.
3. Press the **BAKE** pad. "— — °" appears in the display.
4. Within 5 seconds, press **▲** or **▼**. The display will show "350°F (177°C)." By holding **▲** or **▼**, the temperature can then be adjusted in 5°F increments (1° if the control is set to display Celsius).
5. Wait 8 seconds to accept the temperature.
6. Press the **BAKETIME** pad. "0:00" will flash in the display (MIN:SEC) and (HR:MIN) if programmed for more than 60 minutes.
7. Press **▲** or **▼** until the desired baking time appears.
8. Wait 5 seconds for the control to accept the time.
9. Press the **START TIME** pad. The earliest possible start time will appear in the display.
10. Press **▲** or **▼** until the desired start time appears in the display and wait 7 seconds to accept.
11. Once the controls are set, the control calculates the time when baking will start and stop.
12. The oven will turn ON at the delayed start time and begin heating.

Note: When the control is set for a delayed time bake the time of day is displayed until the delayed time bake is reached. When the oven will turn on, the oven temperature will be displayed. To see the cook time remaining press the **BAKE TIME** pad and to see the time of day press the **CLOCK** pad.

When the Set Bake Time Runs Out:

1. "END" will appear in the display window and the oven will shut off automatically.
2. The control will beep 3 times every 25 seconds until the **CLEAR/OFF** pad is pressed.

To Change the Oven Temperature or Bake Time after Baking has Started:

1. Press the function pad you want to change.
2. Press **▲** or **▼** to adjust the setting.

⚠ CAUTION Use caution with the Timed Bake and Delayed Start features. Foods that can easily spoil such as milk, eggs, fish, meat or poultry, should be chilled in the refrigerator first. Even when chilled, they should not stand in the oven for more than 1 hour before cooking begins, and should be removed promptly when cooking is completed.

Setting Oven Controls (continued)

Setting the Keep Warm Feature

The **KEEP WARM** pad turns ON the Keep Warm feature and will maintain an oven temperature of 170° F (77°C). The **Keep Warm** feature will keep oven baked foods warm for serving up to 3 hours after cooking has finished. After 3 hours the Keep Warm feature will shut the oven OFF automatically. The Keep Warm feature may be used without any other cooking operations or can be used after cooking has finished using **BAKE TIME** or **DELAYED TIMED BAKE**.

To set Keep Warm:

1. Arrange the interior oven racks and place baked food in the oven.
2. Press the **KEEP WARM** pad. "--" will appear in the display and the Keep Warm indicator light above the pad will turn ON.
Note: If no further pads are touched within 6 seconds the request to turn ON Keep Warm will be cleared.
3. Press **▲** or **▼** to start. "Hld" will be displayed.
4. To turn Keep Warm OFF at any time press the **CLEAR/OFF** or **KEEP WARM** pad. The Keep Warm indicator light above the pad will turn OFF.

To set Keep Warm to turn ON automatically:

1. Arrange the interior oven racks and place food in the oven. Set the oven properly for **Timed Bake** or **Delayed Timed Bake**.
2. Press the **KEEP WARM** pad. "--" will appear in the display and the Keep Warm indicator light above the pad will turn ON.
3. Press **▲** or **▼** to start. Keep Warm is set to turn ON automatically after Timed Bake or Delayed Start Bake has finished.
4. To turn Keep Warm OFF at any time press the **CLEAR/OFF** pad. The Keep Warm indicator light above the pad will turn OFF.

Setting Oven Controls (continued)

To Set the Sabbath Feature (for use on the Jewish Sabbath & Holidays)

The **BAKE TIME** and **START TIME** pads are used to set the Sabbath feature. The Sabbath feature may only be used with the **BAKE** pad. The oven temperature may be set higher or lower after setting the Sabbath feature (the oven temperature adjustment feature should be used only during Jewish Holidays), however the display will not visibly show or provide any audible tones indicating whether the change occurred correctly. Once the oven is properly set using Bake with the Sabbath feature active, the oven will remain continuously ON until cancelled. This will override the factory preset 12-Hour Energy Saving feature.

If the oven light will be needed during the Sabbath, press the **OVEN LIGHT** pad before activating the Sabbath feature. Once the oven light is turned ON and the Sabbath feature is active, the oven light will remain ON until the Sabbath feature is turned OFF. If the oven light needs to be OFF, be sure to turn the oven light OFF before activating the Sabbath feature.

IMPORTANT NOTES: It is not advised to attempt to activate any other program feature other than **BAKE** while the Sabbath feature is active. **ONLY** the following key pads will function after setting the Sabbath feature; **▲** or **▼**, **BAKE & CLEAR/OFF**. **ALL OTHER KEYPADS** will not function once the Sabbath feature is properly activated.

To Program the Oven to Begin Baking Immediately & activate the Sabbath feature:

1. Be sure that the clock is set with the correct time of day.
2. Place the food in the oven.
3. Press the **BAKE** pad. " — — — ° " appears in the display.
4. Within 5 seconds, press **▲** or **▼**. The display will show "350°F (177°C)." By holding **▲** or **▼**, the temperature can then be adjusted in 5°F increments (1°C if the control is set to display Celsius).
5. If you desire to set the oven control for a **Timed Bake** or a **Delayed Start** do so at this time. If not, skip this step and continue to step 6. Refer to the **Bake Time** (complete steps 6-7) / **Start Time** (complete steps 6-10) section for complete instructions. Remember the oven will shut down after using **Bake Time** or **Start Time** and therefore may only be used once during the Sabbath/Jewish Holidays. The maximum **Start Time** Bake time is 11 hours & 59 minutes.
6. The oven will turn ON and begin heating.
7. Press and hold both the **Bake Time** and **Start Time** pads for at least 3 seconds. **SAb** will appear in the display. Once **SAb** appears in the display the oven control will no longer beep or display any further changes and the oven is properly set for the Sabbath feature.
Note: You may change the oven temperature once baking has started by pressing **▲** or **▼** (for Jewish Holidays only). The oven temperature will be adjusted in 5°F increments with each press of these pads (1°C if the control is set to display Celsius). Remember that **the oven control will no longer beep or display any further changes** once the oven is set for the Sabbath feature.
8. The oven may be turned OFF at any time by first pressing the **Clear/Off** pad (this will turn the oven OFF only). To turn OFF the Sabbath feature press and hold both the **Bake Time** and **Start Time** pads for at least 3 seconds. **SAb** will disappear from the display.

Should you experience a power failure or interruption, the oven will shut off. When power is returned the oven will not turn back on automatically. The oven will remember that it is set for the Sabbath and the food may be safely removed from the oven while still in the Sabbath feature, however the oven cannot be turned back on until after the Sabbath. After the Sabbath observance turn OFF the Sabbath feature. Press and hold both the **Bake Time** and **Start Time** pads for at least 3 seconds. **SAb** will disappear from the display and the oven may be used with all normal functions. For further assistance, guidelines for proper usage, and a complete list of models with the Sabbath feature, please visit the web at <http://www.star-k.org>.

Oven Cleaning

Self-Clean or Speed Clean Cycle time length

For satisfactory results, use a 2 hour Self-Clean cycle for **light soils** and a 3 hour cycle for **average or heavy soils**.

NOTE: The kitchen area should be well ventilated using an open window, ventilation fan or exhaust hood during the Self-Clean or Speed Clean cycle. This will help eliminate the normal odors associated with the Self-Cleaning cycles.

To Set the Controls for a Self-Clean or Speed Clean Cycle or a Delayed Start Self-Clean or Delayed Start Speed Clean Cycle:

(**Note:** If you do not want to start a **Delayed** Self-Clean or Speed Clean Cycle, skips steps 2 & 3.)

1. Be sure the clock shows the correct time of day.
2. Press the **START TIME** pad.
3. Press and hold **▲** to scroll to the time to start the delayed Self-Clean cycle. Release the pad when the desired time is displayed.
4. Press the **CLEAN** pad (for a 3 hour cycle) or the **SPEED CLEAN** pad (for a 2 hour cycle). "- -" appears in the display.
5. Press **▲** once.

As soon as the controls are set, the motor driven lock will begin to close automatically and the "Door Locked" indicator light will flash. **DO NOT** open the oven door while the light is flashing (it takes about 15 seconds for the oven door to lock).

6. "**CLn**" will appear in the display during the Self-Clean cycle and the "Door Locked" light will glow until the Self-Cleaning cycle is complete or cancelled and the oven temperature has cooled.

When the Self-Clean or Speed Clean Cycle is Completed:

1. The time of day or "**End**" will appear in the display window and the "Clean" and "Door Lock" light will continue to glow.
2. Once the oven has cooled down for about 1 HOUR and the "Door Lock" light has gone out, the oven door can be opened.
3. If "**End**" is in the display and the Select Clean indicator light remains ON, press the **CLEAR/OFF** pad. The time of day will appear in the display.

NOTE: When the oven is cool, wipe away any residue or powdered ash with a damp cloth or paper towel.

Stopping or Interrupting a Self-Cleaning or Speed Cleaning Cycle

If it becomes necessary to stop or interrupt a Self-Cleaning cycle:

1. Press the **CLEAR/OFF** pad.
2. Once the oven has cooled down for about 1 HOUR and the "Door Lock" light has gone out, the oven door can be opened.
3. Restart the Self-Clean cycle once all conditions have been corrected.

NOTE: A smoke eliminator in the oven vent converts most of the soil into a colorless vapor.

⚠ CAUTION To avoid possible burns use care when opening the oven door after the Self-Cleaning cycle. Stand to the side of the oven when opening the door to allow hot air or steam to escape.

⚠ CAUTION **DO NOT** force the oven door open. This can damage the automatic door locking system. Use caution and avoid possible burns when opening the door after the Self-Cleaning cycle has completed. The oven may still be **VERY HOT**.

Adjusting the Oven Temperature

Your oven thermostat has been precisely set at the factory. This setting may differ from your previous oven, however, so your recipe times may not give you the results you expect. If you think that the oven is cooking too hot or cool for your recipe times, you can adjust the thermostat so that the oven cooks hotter or cooler than the temperature displayed.

To Adjust Oven Temperature:

1. Press and hold the **BAKE** pad for 8 seconds. The display now indicates the amount of degrees offset between the original factory temperature setting and the current temperature setting. If the oven control has the original factory calibration, the display will read "0".
2. The temperature can now be adjusted up or down 35°F or 19°C, in 1°F or 1°C steps by pushing and holding **▲** or **▼**. Adjust until the desired amount of degrees offset appears in the display. When lowering the oven temperature, a minus sign (-) will appear before the number to indicate that the oven will be cooler by the displayed amount of degrees.
3. When you have made the desired adjustment, wait 5 seconds and the display will go back to the time of day.

Note: Oven temperature adjustment made will not change the Self-Cleaning feature temperature.

GUIDE DU PROGRAMMATEUR ÉLECTRONIQUE DU FOUR

Fonctions des touches de commande

Lisez attentivement ces instructions avant d'utiliser le four. Pour obtenir des résultats satisfaisants de votre four, il est important de bien connaître les fonctions du programmateur électronique décrites ci-dessous. **Note:** L'apparence extérieure de la minuterie peut avoir une configuration différente pour divers modèles d'appareils. Ceci ne change pas son fonctionnement.

Note: Aucune commande ne fonctionne si l'horloge n'est pas réglée à l'heure.

Cuisson rapide- Sélectionne la température du mode de cuisson rapide (certains modèles).

Nettoyage Speed- Sélectionne un cycle auto-nettoyant de 2 heures (certains modèles).

Temps de cuisson- Programme le temps de cuisson au four.

Flèches ascendante et descendante- Avec les touches des fonctions, elles sélectionnent la température du four, le temps de cuisson, l'heure d'arrêt (lors de la programmation d'un arrêt automatique), l'heure et la minuterie.

Lumière intérieure du four- Utilisée pour allumer la lumière intérieure du four.

Voyants lumineux de fonction- Indiquent quel mode est en fonction.

Cuire- Sélectionne la température du mode de cuisson normale.

Griller- Sélectionne la cuisson au grill.

Garder Chaud- Utilisée pour régler la fonction Garder Chaud (certains modèles).

Nettoyer- Sélectionne un cycle autonettoyant de 3 heures.

Heure de Départ- Utilisée pour régler le temps désiré de début de cuisson. Peut être utilisée avec **TEMPS DE CUISSON** pour programmer une cuisson différée.

Horloge- Utilisée pour régler l'heure.

Annuler- Annule toutes les fonctions pré-sélectionnées sauf l'heure et la minuterie. Appuyez sur cette touche pour arrêter toutes fonctions de cuisson.

Speed Bake Oven
Four à Cuisson Rapide

- Oven Four
- Preheat Préchauffage
- Door Locked Porte Verrouillée

Controls

Minuterie

Voyants lumineux Four, Préchauffage et Porte verrouillée- Le voyant lumineux "Four" indique que le four est en marche. Le voyant lumineux "Préchauffage" s'allume pour indiquer que le four est en mode préchauffage et s'éteint lorsque la température programmée est atteinte. Le voyant lumineux "Porte verrouillée" clignote pour indiquer que la porte du four se verrouille lors d'un cycle autonettoyant ou lorsque la caractéristique verrouillage est activée. Il reste continuellement allumé une fois que la porte du four est verrouillée (certains modèles).

Le four peut être programmé pour les modes suivants:

Cuire, Cuisson rapide, Garder chaud, Temps de cuisson, Heure de départ (départ différé), Griller, Nettoyer et Nettoyage rapide.

Note: Les touches illustrées ici peuvent différer de celles sur votre appareil.

Pour un tableau de commande silencieux:

Un signal sonore se fait entendre chaque fois que vous appuyez sur une touche. Vous pouvez, si vous le désirez, programmer les commandes pour qu'elles fonctionnent silencieusement.

Pour vérifier si votre four est réglé pour un tableau de commande silencieux ou normal appuyez et maintenez la touche **HEURE DE DÉPART** pendant 7 secondes. "--" ou "SP" apparaît à l'écran. Dans les 5 secondes, appuyez sur **▲** ou **▼** pour passer du mode avec signaux sonores au mode silencieux. L'écran affiche "--" ou "SP". Attendez 5 secondes pour retourner à l'affichage normal.

Note: Si "SP" apparaît, le tableau de commande fonctionne avec les signaux sonores. Si "--" apparaît, le tableau de commande fonctionne en mode silencieux.

Conversion des températures (Fahrenheit / Celsius)

Le programmateur électronique a été réglé à l'usine pour afficher en degrés °F (Fahrenheit). Le four peut être programmé pour n'importe quelle température entre 170°F et 550°F (77°C et 288°C).

Pour changer en °C (Celsius) ou de °C (Celsius) à °F (Fahrenheit) (l'appareil ne doit pas être en mode cuisson ou nettoyage):

1. Appuyez et maintenez la touche **GRILLER** pendant 7 secondes jusqu'à ce que °F ou °C apparaisse à l'écran.
2. Appuyez sur **▲** ou **▼** pour passer de °F à °C ou de °C à °F.
3. Attendez 5 secondes pour accepter les changements ou appuyez sur la touche **ANNULER**.

Réglage de l'horloge et de la minuterie

Note: Les commandes ne fonctionnent pas si l'horloge n'est pas réglée à l'heure.

Pour régler l'horloge

Lorsque l'appareil est branché pour la première fois, ou chaque fois que son alimentation est interrompue, "12:00" clignote.

1. Appuyez sur la touche **HORLOGE** une fois (ne gardez pas la touche enfoncée).
2. Dans les 5 secondes suivantes, appuyez et maintenez **▲** ou **▼** jusqu'à ce que la bonne heure apparaisse à l'écran.
3. Appuyez sur la touche **HORLOGE** pour accepter la nouvelle heure du jour. Si la touche **HORLOGE** n'est pas appuyée, le programmeur accepte automatiquement la nouvelle heure du jour après 7 secondes.

Note: L'heure ne peut pas être changée durant les cycles suivants: cuisson, cuisson rapide, cuisson minutée, cuisson minutée différée, griller, autonettoyant ou autonettoyant différé.

Pour changer entre un affichage de 12 ou 24 heures

1. Appuyez et maintenez la touche **HORLOGE** pendant 7 secondes. Après 7 secondes, "12Hr" ou "24Hr" apparaît à l'écran et un signal sonore se fait entendre.
2. Appuyez sur **▲** ou **▼** pour passer de l'affichage 12 heures à l'affichage 24 heures. L'affichage montrera "12Hr" ou "24Hr".
3. Attendez 5 secondes ou appuyez sur la touche **ANNULER** pour revenir à l'heure du jour.
4. Réglez l'horloge à l'heure exacte. Veuillez noter que si le mode 24h a été choisi, l'horloge affiche l'heure de 0:00 à 23:59 heures.

Réglage de la minuterie

1. Appuyez sur la touche **MINUTERIE**.
2. Appuyez sur **▲** pour augmenter ou sur **▼** pour diminuer le temps par intervalles de 1 minute. La minuterie peut être réglée pour n'importe quel laps de temps entre 1 minute et 11 heures et 59 minutes.
3. La minuterie affiche le temps en minutes lorsqu'il reste plus de 1 heure et en secondes lorsqu'il reste moins de 1 heure.
4. Lorsque le temps est écoulé, la minuterie émet 3 signaux sonores et continue à les émettre toutes les 8 secondes jusqu'à ce que vous appuyez sur la touche **MINUTERIE**.

Note: Le voyant lumineux situé au-dessus de la touche **MINUTERIE** s'allume lorsque la minuterie est en fonction.

Note: La minuterie ne commence ni n'arrête la cuisson. Elle sert à mesurer le temps et émet un signal sonore lorsque le temps est écoulé. La minuterie peut être utilisée seule ou durant le fonctionnement de toute autre fonction. Lorsque la minuterie est utilisée en même temps qu'une autre fonction, elle s'affiche à l'écran. Pour afficher les autres fonctions, appuyez sur la touche de la fonction correspondante.

Pour arrêter la minuterie avant que le temps réglé soit écoulé: Appuyez sur la touche **MINUTERIE**.

Pour régler le programmeur pour une cuisson continue ou pour une économie d'énergie de 12 heures:

Le programmeur électronique du four a une fonction intégrée d'économie d'énergie de 12 heures qui éteint le four s'il est allumé pour plus de 11 heures et 59 minutes. Le four peut cependant être programmé pour annuler cette fonction et ainsi fonctionner pendant plus de 12 heures (cuisson continue).

Pour régler le programmeur pour qu'il fonctionne en mode "cuisson continue"

1. Appuyez et maintenez la touche **MINUTERIE** pendant 7 secondes jusqu'à ce que vous entendiez un signal sonore.
2. Dans les 5 secondes suivantes, appuyez sur **▲** ou **▼** pour passer de la fonction "Économie d'énergie" à la fonction "Cuisson continue". L'écran affiche "- - hr" ou "12hr". Si "- - hr" apparaît à l'écran, ceci indique que le four est en mode "cuisson continue". Si "12hr" s'affiche à l'écran, le four est réglé en fonction "Économie d'énergie de 12 heures".
3. Attendez 5 secondes ou appuyez sur la touche **ANNULER** pour accepter les changements.

Réglage des commandes du four

Pour régler le programmateur pour un verrouillage sécuritaire du four:

Le programmateur possède un dispositif pour verrouiller la porte du four et le panneau de commande. Ce dispositif de verrouillage de four empêche le four d'être accidentellement allumé. Il ne désactive pas l'horloge, la minuterie ou la lumière intérieure du four.

Pour régler le programmateur pour un verrouillage sécuritaire du four:

1. Appuyez et maintenez la touche **ANNULER** pendant 3 secondes. Le témoin lumineux "Porte Verrouillée" clignote et le moteur verrou se met en marche automatiquement. **N'OUVREZ PAS la porte** pendant que le témoin lumineux clignote. Accordez environ 15 secondes pour le verrouillage de la porte. Une fois la porte verrouillée, l'écran affiche "Loc".
2. Pour annuler le verrouillage du four, appuyez et maintenez la touche **ANNULER** pendant 3 secondes. Le programmateur déverrouille automatiquement la porte du four et retourne au fonctionnement normal de l'appareil.

Pour régler ou changer la température pour une cuisson normale ou pour une cuisson rapide au four

Le four peut être programmé pour cuire à n'importe quelle température entre 170°F et 550°F (77°C et 288°C) ou pour une cuisson rapide à n'importe quelle température entre 300°F et 550°F (149°C et 288°C).

Pour régler le programmateur pour une cuisson normale au four ou pour une cuisson rapide au four:

1. Appuyez sur la touche **CUIRE** ou sur la touche **CUISSON RAPIDE**. "— — °" apparaît à l'écran.
2. Dans les 5 secondes suivantes, appuyez sur **▲** ou **▼**. L'écran affiche "350°F (177°C)". La température peut être ajustée par intervalles de 5°F (1°C) en appuyant sur **▲** ou **▼**.
3. 8 secondes après avoir relâché **▲** ou **▼**, le four se met en marche et le témoin lumineux "Préchauffage" s'allume. Lorsque la température programmée est atteinte, le témoin lumineux "Préchauffage" s'éteint.
4. Pour annuler la cuisson, appuyez sur la touche **ANNULER**.

Pour modifier la température du four après le début de la cuisson:

Appuyez sur **▲** ou **▼** pour augmenter ou diminuer la température réglée.

Système de cuisson rapide

En mode de **cuisson rapide**, un ventilateur à l'arrière du four fait circuler l'air chaud autour des aliments. Cette circulation d'air scelle rapidement la surface des aliments, retenant ainsi les jus et leur saveur. Cette méthode permet d'obtenir de meilleures performances, aussi bien pour cuire, décongeler, déshydrater que pour rôtir les aliments.

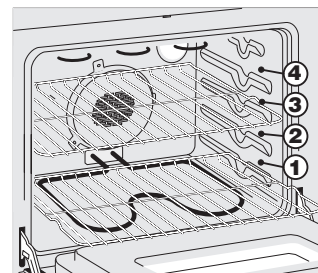
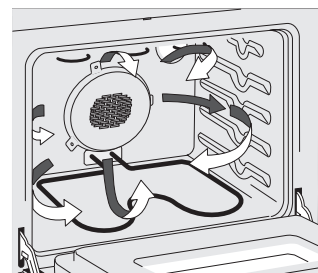
Les viandes cuites à l'aide du **système de cuisson rapide** sont plus savoureuses. Le poulet est croustillant à l'extérieur tout en étant tendre et juteux à l'intérieur. Les pains et pâtisseries cuisent plus uniformément. La plupart des aliments peuvent être préparés plus rapidement et plus efficacement en mode de **cuisson rapide**.

Avantages du système de cuisson rapide:

- Économise du temps et de l'énergie puisque les aliments cuisent jusqu'à 30% plus rapidement.
- Cuit et grille plus uniformément les aliments lorsque deux tablettes sont utilisées.
- Ne requiert pas de casseroles ou d'ustensiles de cuisson spéciaux.

Instructions de cuisson générales:

1. Lorsque le mode de **cuisson rapide** est utilisé, le temps de cuisson est réduit considérablement. Commencez par réduire le temps de 30% et augmentez graduellement jusqu'à ce que les aliments atteignent la cuisson désirée. La réduction du temps de cuisson varie selon la quantité et le type d'aliment à cuire.
2. À l'exception de la cuisson de pains, de gâteaux, de biscuits, etc., le préchauffage du four n'est pas nécessaire lorsqu'il est utilisé en **cuisson rapide**.
3. Lors de la cuisson sur 2 tablettes, placez-les en position 1 et 3 (à partir du bas) pour obtenir de meilleurs résultats.
4. Lors de la cuisson de gâteaux en mode de **cuisson rapide**, réglez la température 25°F (13°C) degrés plus basse que la température recommandée pour les meilleurs résultats.



Guide de cuisson pour le système de cuisson rapide

Aliments	Réduction du temps de cuisson:
Plats en casserole	25%
Viandes	15% (ou 5 min./lb)
Volailles	30% (ou 10 min./lb)
Aliments congelés	20%
Biscuits réfrigérés	25% (ou 2 à 5 min.)
Rouleaux/Pains/Pizza	25% (ou 5 min.)
Légumes	25%
Pommes de terre au four	25%
Tartes/Pâtisserie	30%

Réglage des commandes du four (suite)

Griller

La cuisson au gril est un procédé de cuisson des coupes tendres de viande grâce à la chaleur radiante émise par l'élément supérieur du four. Assurez-vous de centrer la lèchefrite directement sous l'élément de cuisson pour de meilleurs résultats.

Placez les grilles aux positions voulues pendant que le four est encore froid. La lèchefrite permet de drainer la graisse qui s'égoutte et ainsi la garder éloignée de la haute chaleur du gril. **NE PAS** utiliser la lèchefrite sans son couvercle qui l'accompagne. **NE PAS** recouvrir le couvercle de papier aluminium. Le gras en surface pourrait s'enflammer.

⚠ AVERTISSEMENT Si un feu se produit à l'intérieur du four, fermez la porte du four et éteignez le four. Si le feu ne s'éteint pas, lancez sur le feu du bicarbonate de soude ou utilisez un extincteur. **NE PAS** mettre d'eau ou de farine sur le feu. La farine risque d'exploser et l'eau peut permettre à un feu de graisse de s'étendre et de causer des blessures corporelles.

Pour griller:

1. Placez le couvercle sur la lèchefrite et placez la nourriture sur le couvercle. **N'UTILISEZ PAS** la lèchefrite sans son couvercle ou avec ce dernier couvert de **papier d'aluminium**. La graisse en surface peut s'enflammer.
2. Disposez les grilles aux positions désirées pendant que le four est froid. Assurez-vous de bien centrer la lèchefrite sous l'élément de grillage. **Four électrique: Ouvrez la porte du four à la position d'arrêt pour le grillage (voir la Figure 2).** **Four à gaz: Fermez la porte du four. Pour un grillage optimum, laissez l'élément de grillage préchauffer pendant 3-4 minutes avant d'ajouter la nourriture.**
3. Appuyez sur la touche **GRILLER**. "--" apparaît à l'écran.
4. Appuyez sur **▲** ou **▼** jusqu'à ce que le niveau de grillage désiré apparaisse à l'écran. Appuyez sur **▲** pour un réglage à **HI** broil (haut grillage) ou sur **▼** pour un grillage à **LO** broil (bas réglage). La plupart des aliments peuvent être grillés à la puissance maximale HI. Choisissez la puissance minimale LO pour éviter de brûler ou d'assécher les aliments qui doivent être bien cuits.
5. Grillez la viande sur un côté jusqu'à ce qu'elle soit dorée; retournez et faites cuire le deuxième côté. **Note:** Tirez toujours la grille jusqu'à sa position d'arrêt pour retourner ou retirer les aliments.
6. Lorsque le grillage est terminé, appuyez sur la touche **ANNULER**.

Pour actionner la(les) lumière(s) du four

Sur certains modèles, la(les) lumière(s) intérieure(s) de four s'allumera(ont) automatiquement quand la porte de four est ouverte.

Appuyez sur **💡** pour allumer et éteindre la(les) lumière(s) du four quand la porte est fermée. La(les) lumière(s) intérieure(s) de four est(sont) localisée(s) du côté supérieur gauche (et droit, certains modèles) dans le fond du four et est(sont) couverte(s) d'un protecteur de verre retenu par une broche. Le protecteur de verre doit être en place chaque fois que le four est en service. Pour changer la(les) lumière(s) intérieure(s) du four, référez-vous au manuel d'utilisation.

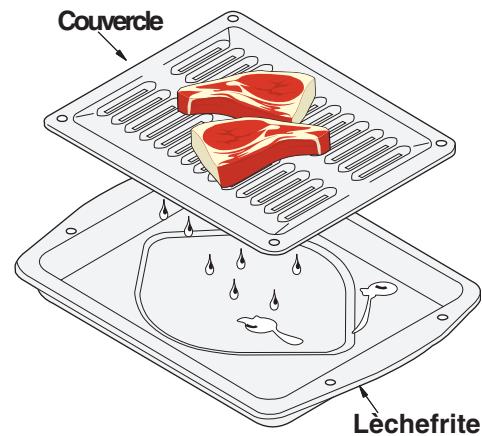
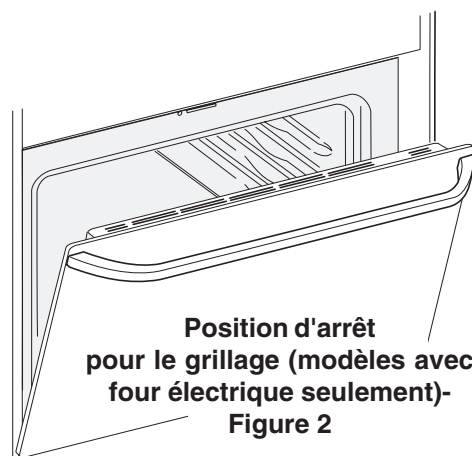


Figure 1



Réglage des commandes du four (suite)

Pour programmer une cuisson minutée et une cuisson minutée différée

Les touches **TEMPS DE CUISSON** et **HEURE DE DÉPART** actionnent les fonctions qui allument ou éteignent le four à un moment que vous choisissez à l'avance. Le four peut être programmé pour s'allumer tout de suite et s'éteindre automatiquement (**Cuisson Minutée**) ou pour débiter la cuisson à un moment ultérieur et s'éteindre automatiquement (**Cuisson Minutée Différée**).

Note: Lors d'une cuisson minutée le voyant lumineux de préchauffage s'allume pendant l'opération de préchauffage.

Pour régler le four pour qu'il commence à cuire immédiatement et s'arrête automatiquement (Cuisson Minutée):

1. Assurez-vous que l'horloge indique l'heure juste.
2. Placez la nourriture dans le four.
3. Appuyez sur la touche **CUIRE**. "— — —°" apparaît à l'écran.
4. Dans les 5 secondes qui suivent, appuyez sur **▲** ou **▼**. "350°F (177°C)" s'affiche à l'écran. Appuyez sur **▲** ou **▼** pour ajuster la température par intervalles de 5°F (1° si le programmeur est en degré Celsius).
5. Attendez 8 secondes pour que le programmeur accepte la température.
6. Appuyez sur la touche **TEMPS DE CUISSON**. "0:00" clignote à l'écran (MIN:SEC) ou (HR:MIN) si le programmeur est réglé pour plus de 60 minutes.
7. Appuyez sur **▲** ou **▼** jusqu'à ce que le temps de cuisson désiré s'affiche à l'écran.
8. Le four s'ALLUME et commence à chauffer.

Note: Lorsque le programmeur est réglé pour cette fonction, la température du four reste affichée. Pour voir le temps de cuisson restant appuyez sur la touche **TEMPS DE CUISSON** et pour voir l'heure du jour appuyez sur la touche **HORLOGE**.

Pour régler le four pour un départ différé et un arrêt automatique (Cuisson Minutée Différée):

1. Assurez-vous que l'horloge indique l'heure juste.
2. Placez la nourriture dans le four.
3. Appuyez sur la touche **CUIRE**. "— — —°" apparaît à l'écran.
4. Dans les 5 secondes qui suivent, appuyez sur **▲** ou **▼**. "350°F (177°C)" s'affiche à l'écran. Appuyez sur **▲** ou **▼** pour ajuster la température par intervalles de 5°F (1° si le programmeur est en degré Celsius).
5. Attendez 8 secondes pour que le programmeur accepte la température.
6. Appuyez sur la touche **TEMPS DE CUISSON**. "0:00" clignote à l'écran (MIN:SEC) ou (HR:MIN) si le programmeur est réglé pour plus de 60 minutes.
7. Appuyez sur **▲** ou **▼** jusqu'à ce que le temps de cuisson désiré s'affiche à l'écran.
8. Attendez 5 secondes pour que le programmeur accepte le temps de cuisson.
9. Appuyez sur la touche **HEURE DE DÉPART**. L'heure de départ la plus rapprochée s'affiche à l'écran.
10. Appuyez sur **▲** ou **▼** jusqu'à ce que l'heure de départ désirée apparaisse à l'écran et attendez 7 secondes pour que le programmeur accepte l'heure de départ.
11. Lorsque le programmeur est réglé, ce dernier calcule l'heure à laquelle le four s'éteindra.
12. Le four s'allumera à l'heure de départ différée et commencera à chauffer.

Note: Lorsque le programmeur est réglé pour cette fonction, l'heure du jour est affichée à l'écran jusqu'à ce que l'heure de départ soit atteinte. Aussitôt que le four se met en marche, la température s'affiche et si vous voulez voir le temps de cuisson restant appuyez sur la touche **TEMPS DE CUISSON** et pour afficher l'heure du jour appuyez sur la touche **HORLOGE**.

Lorsque le Temps de Cuisson sélectionné est écoulé:

1. "END" (fin) apparaît à l'écran et le four s'éteint automatiquement.
2. Le programmeur émet 3 signaux sonores à toutes les 25 secondes jusqu'à ce que la touche **ANNULER** soit appuyée.

Pour changer la température du four ou le temps de cuisson après le début de la cuisson:

1. Appuyez sur la touche de la fonction que vous désirez changer.
2. Appuyez sur **▲** ou **▼** pour ajuster le réglage.

⚠ MISE EN GARDE Soyez prudent lorsque vous réglez une cuisson différée. Cette fonction est utilisée pour faire cuire de la viande salaisonnée ou congelée et la plupart des fruits et légumes. Les aliments facilement périssables comme le lait, les oeufs, le poisson, la viande ou la volaille doivent d'abord être réfrigérés. Même lorsqu'ils sont refroidis, ils ne doivent pas rester dans le four plus d'une heure avant le début de la cuisson et doivent être rapidement enlevés lorsque la cuisson est terminée.

Réglage des commandes du four (suite)

Réglage de la fonction Garder Chaud

La touche **GARDER CHAUD** active la fonction **GARDER CHAUD** qui maintiendra une température dans le four de 170°F (77°C). La fonction **GARDER CHAUD** conserve chaude la nourriture cuite au four jusqu'à 3 heures après la cuisson. Après 3 heures le four s'éteint automatiquement. La fonction **GARDER CHAUD** peut être employée sans aucune opération de cuisson ou après une **Cuisson Minutée** ou une **Cuisson Minutée Différée**

Pour régler la fonction **GARDER CHAUD**:

1. Placez les grilles intérieures du four et déposez la nourriture cuite dans le four.
2. Appuyez sur la touche **GARDER CHAUD**. "--" apparaît à l'écran et le témoin lumineux de la touche **GARDER CHAUD** s'allume.
Note: Si aucune autre touche n'est appuyée dans les 6 secondes suivantes, la fonction s'annule.
3. Appuyez sur **▲** ou **▼** pour l'activer. "Hld" s'affiche.
4. Pour éteindre la fonction **GARDER CHAUD** à n'importe quel moment, appuyez sur la touche **ANNULER** ou la touche **GARDER CHAUD**. Le témoin lumineux de la touche **GARDER CHAUD** s'éteint.


Pour régler la fonction **GARDER CHAUD** pour qu'elle s'allume automatiquement après une **Cuisson Minutée**:

1. Arrangez les grilles intérieures du four et placez la nourriture dans le four. Programmez le four correctement pour une **Cuisson Minutée** ou une **Cuisson Minutée Différée**.
2. Appuyez sur la touche **GARDER CHAUD**. "--" s'affiche et le témoin lumineux de la touche **GARDER CHAUD** s'allume.
3. Appuyez sur **▲** ou **▼** pour l'activer. La fonction **GARDER CHAUD** s'allumera automatiquement après la **Cuisson Minutée** ou la **Cuisson Minutée Différée**.
4. Pour éteindre la fonction **GARDER CHAUD** à n'importe quel moment, appuyez sur la touche **ANNULER**. Le témoin lumineux de la touche **GARDER CHAUD** s'éteint.

Réglage des commandes du four (suite)

Fonction Sabbat (à utiliser le jour du sabbat juif & pendant les autres fêtes)

Les touches **TEMPS DE CUISSON** et **HEURE DE DÉPART** contrôlent la fonction Sabbat. La fonction Sabbat peut être utilisée seulement avec la touche **CUIRE**. Il est possible d'augmenter ou de diminuer la température du four après avoir activé la fonction Sabbat (le réglage de la température du four peut être fait seulement lors des fêtes juives), toutefois en mode Sabbat l'écran devient inactif et le programmeur silencieux lors du réglage de la température. Lorsque le four est réglé pour une cuisson avec la fonction Sabbat en opération, le four va fonctionner continuellement jusqu'à ce qu'il soit annulé. La fonction Sabbat passera outre le mode Arrêt automatique après 12-heures préprogrammé à l'usine.

Si la lumière du four doit être allumée durant le jour du sabbat, appuyez sur  avant d'activer la fonction Sabbat. Si la lumière du four est allumée et que la fonction Sabbat est active, cette dernière restera allumée jusqu'à ce que la fonction Sabbat soit annulée. Si la lumière du four doit être éteinte, assurez-vous de l'éteindre avant d'activer la fonction Sabbat.

NOTES IMPORTANTES: Il n'est pas conseillé d'essayer d'activer d'autres fonctions que **CUIRE** lorsque la fonction Sabbat est active. Les SEULES touches pouvant être activées lorsque la fonction Sabbat est active sont les suivantes: **▲** et **▼**, **CUIRE** et **ANNULER**. **TOUTES LES AUTRES TOUCHES** resteront inactives si la fonction Sabbat est adéquatement utilisée.

Pour régler le four pour qu'il commence la cuisson immédiatement & activer la fonction Sabbat:

1. Assurez-vous que l'horloge est à l'heure juste.
2. Placez les plats à cuisiner dans le four.
3. Appuyez sur la touche **CUIRE**. " — — — ° " apparaît à l'écran.
4. Dans les 5 secondes qui suivent, appuyez sur **▲** ou **▼**. L'écran affiche "350°F (177°C)". En appuyant sur **▲** ou **▼**, la température peut alors être ajustée par des incréments de 5°F (1°C si le contrôleur est programmé en Celsius).
5. Si vous désirez régler le programmeur pour une **Cuisson Minutée** ou un **Départ Différé** faites le maintenant. Sinon, continuez à l'étape 7. Référez-vous à la section **Cuisson Minutée** (complétez les étapes 6 à 8) / **Départ Différé** (complétez les étapes 6 à 10) pour les instructions complètes. Rappelez-vous que le four s'éteindra lorsque la **Cuisson Minutée** ou le **Départ Différé** sera terminé. Le four ne pourra donc pas être utilisé à nouveau durant le jour du Sabbat / Fêtes juives. Le départ différé le plus éloigné pouvant être programmé est de 11 heures & 59 minutes.
6. Le four s'allume et commence à chauffer.
7. Appuyez et maintenez simultanément sur les touches **TEMPS DE CUISSON** et **HEURE DE DÉPART** pendant au moins 3 secondes. **SAb** apparaît à l'écran. Une fois que **SAb** apparaît à l'écran, le programmeur arrête d'émettre des signaux sonores lorsque les touches sont appuyées et d'afficher les changements futurs. Le four est alors correctement réglé en mode Sabbat.
Note: Vous pouvez modifier la température lorsque le four est en marche en appuyant sur **▲** ou **▼** (durant les Fêtes juives seulement). La température peut alors être ajustée par incréments de 5°F (1°C si le contrôleur est programmé en Celsius). Rappelez-vous que le **programmeur n'émet pas de signaux sonores lorsqu'une touche est appuyée et que l'écran est inactif** une fois que la fonction Sabbat est active.
8. Le four peut être arrêté à tout moment en appuyant d'abord sur la touche **ANNULER** (ceci arrêtera le four seulement). Pour arrêter le dispositif de Sabbath appuyez et maintenez simultanément sur les touches **TEMPS DE CUISSON** et **HEURE DE DÉPART** pendant 3 secondes. **SAb** disparaît de l'affichage.

Lorsqu'une panne ou une interruption de courant survient, le four s'éteint. Lorsque le courant revient le four ne se rallume pas automatiquement. Le programmeur est toujours en fonction Sabbat. La nourriture peut alors être retirée du four de façon sécuritaire même si la fonction Sabbat est encore active. Toutefois le four ne peut pas être rallumé avant la fin du jour du Sabbat. Une fois le jour du Sabbat terminé, désactivez la fonction Sabbat en appuyant et maintenant simultanément les touches **TEMPS DE CUISSON** et **HEURE DE DÉPART** pendant 3 secondes. **SAb** disparaîtra de l'affichage et le four peut alors être utilisé de façon habituelle. Pour plus d'assistance, d'aide pour un usage adéquat de la fonction Sabbat ainsi que pour consulter la liste complète des modèles possédant la fonction Sabbat, s'il vous plaît visitez le site internet <http://www.star-k.org>.

Nettoyage du four

Cycle autonettoyant ou cycle nettoyage Speed

Pour obtenir des résultats satisfaisants, utilisez un cycle de 2 heures (nettoyage rapide) **pour de la saleté légère** et un cycle de 3 heures (Nettoyer) **pour de la saleté moyenne à tenace**. **NOTE:** Assurez-vous de bien aérer la cuisine pendant le cycle autonettoyant, pour ce faire vous pouvez entrebâiller une fenêtre ou une porte, ou bien utiliser un ventilateur ou une hotte. Ceci aidera à éliminer les odeurs normales liées aux cycles autonettoyants.

Pour régler le four pour un cycle autonettoyant rapide, un cycle autonettoyant, un cycle autonettoyant rapide différé ou un cycle autonettoyant différé: (Note: Si vous ne voulez pas commencer un cycle autonettoyant **Différé** allez à l'étape 4).

1. Assurez-vous que l'horloge indique l'heure juste.
2. Appuyez sur la touche **HEURE DE DÉPART**.
3. Appuyez et maintenez **▲** pour régler l'heure de départ différée. Relâchez la touche lorsque cette dernière apparaît à l'écran.
4. Appuyez sur la touche **NETTOYER** (pour un cycle de 3 heures) ou sur la touche **NETTOYAGE SPEED** (pour un cycle de 2 heures). "- -" apparaît à l'écran.
5. Appuyez sur **▲** une seule fois. Aussitôt que le programmateur est réglé, le témoin lumineux "Porte Verrouillée" clignote et le moteur verrou se met en marche pour barrer automatiquement la porte du four. **N'OUVREZ PAS** la porte pendant que le voyant lumineux clignote (accordez environ 15 secondes pour le verrouillage de la porte).
6. "**CLn**" s'affiche pendant le cycle autonettoyant. Le témoin lumineux "**PORTE VERROUILLÉE**" reste allumé jusqu'à la fin du cycle ou lorsque le cycle est annulé et que le four a refroidi.

À la fin du cycle autonettoyant ou du cycle autonettoyant rapide :

1. L'heure du jour ou "**End**" apparaît à l'écran et les témoins lumineux "**NETTOYER** ou **NETTOYAGE**" et "**PORTE VERROUILLÉE**" demeurent allumés.
2. Lorsque le four a refroidi soit après environ 1 heure et que le témoin lumineux "**PORTE VERROUILLÉE**" s'est éteint, la porte du four peut être ouverte.
3. Si "**End**" reste à l'écran et que le témoin lumineux "**NETTOYER** ou **NETTOYAGE**" est encore allumé, appuyez sur la touche **ANNULER**. L'heure apparaît à l'écran.

NOTE: Une fois le four refroidi, essuyez tout résidu ou cendre avec un tissu humide ou une serviette de papier.

Arrêt ou interruption d'un cycle autonettoyant:

Si vous devez arrêter ou interrompre le cycle autonettoyant pour cause de fumée excessive ou de feu:

1. Appuyez sur la touche **ANNULER**.
2. Lorsque le four a refroidi soit pendant environ 1 heure et que le témoin lumineux "**PORTE VERROUILLÉE**" s'est éteint, on peut ouvrir la porte du four.
3. Une fois la situation corrigée, vous pouvez reprogrammer le cycle autonettoyant.

Ajustement de la température du four

Votre thermostat de four a été réglé avec précision à l'usine. Cet ajustement peut différer de celui de votre four précédent, cependant, vos temps de cuisson peuvent ne pas vous donner les résultats que vous prévoyez. Si vous pensez que le four est trop chaud ou trop froid pour vos temps de cuisson, vous pouvez ajuster le thermostat de sorte que votre four puisse cuire à une température plus basse ou plus élevée que celle affichée.

Pour ajuster la température du four:

1. Appuyez et maintenez la touche **CUIRE** pendant 8 secondes. L'affichage indique maintenant l'écart de température en degrés entre l'ajustement original de la température en usine et l'ajustement actuel de la température. Si le four est à l'ajustement original de l'usine, "0" s'affichera.
2. La température peut maintenant être ajustée à la hausse ou à la baisse de 35°F (19°C), par intervalles de 1°F (1°C) en appuyant sur **▲** ou **▼**. Ajustez jusqu'à ce que l'écart de température désiré apparaisse en degrés à l'écran. En abaissant la température du four, un signe moins (-) apparaîtra devant le nombre pour indiquer que le four sera plus froid par la quantité affichée de degrés.
3. Une fois l'ajustement terminé, attendez 5 secondes pour retourner à l'affichage de l'heure.

Note: L'ajustement de la température du four ne change pas la température du cycle autonettoyant ni la température lors de la cuisson au gril.

NOTE: UN éliminateur de fumée dans le conduit du four convertit la plupart des résidus en une vapeur sans couleur.

⚠ MISE EN GARDE Soyez prudent en ouvrant la porte du four après un cycle autonettoyant. Tenez-vous sur le côté de l'appareil pour ouvrir la porte afin de laisser l'air chaud ou la chaleur s'échapper.

⚠ MISE EN GARDE Ne forcez pas la porte du four pour l'ouvrir. Ceci risque d'endommager le système de verrouillage automatique. Soyez prudent en ouvrant la porte du four à la fin d'un cycle autonettoyant; **le four risque d'être encore très chaud.**