

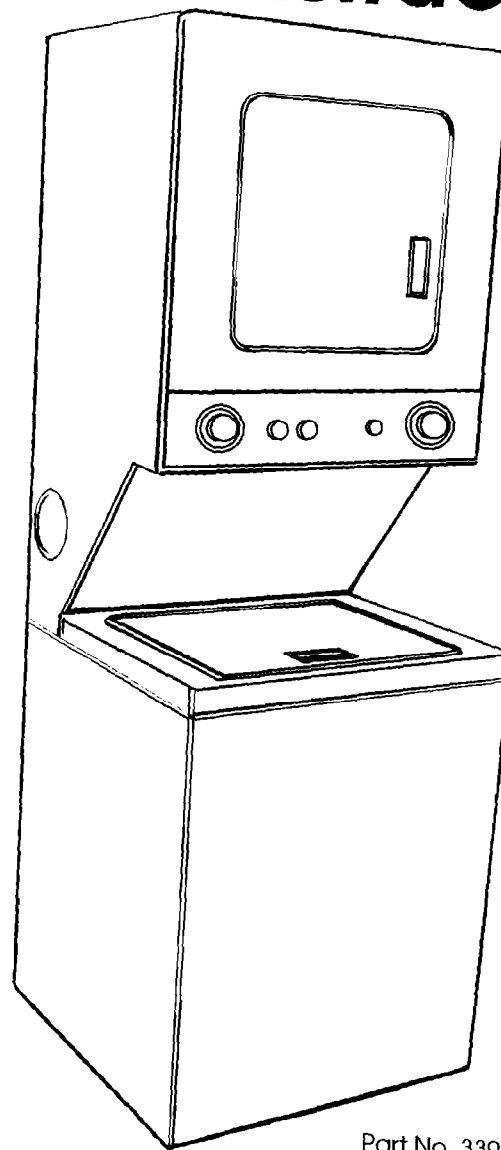
*Thin Twin  
Washer•Dryer - 240 Volt*

# Installation Instructions

**IMPORTANT:  
Read and save  
these instructions.**

**IMPORTANT:**

**Installer:** Leave Installation Instructions  
with the homeowner.  
**Homeowner:** Keep Installation Instructions  
for future reference.  
**Save** Installation Instructions for local  
electrical inspector's use.



Part No. 3397603

1/95

## Before you start...

**Check location** where washer/dryer will be installed. Proper installation is your responsibility. The washer/dryer must not be installed or stored in an area where it will be exposed to water and/or weather. Make sure you have everything necessary for correct installation.

**Location** should be large enough to fully open dryer door 90°. (See Panel G for "Recessed and closet installation instructions" and "Product dimensions.")

**Check utilities:** Proper electrical supply must be available.

Dryer may be exhausted from rear or left or right side. Exhausting through the side requires Side Exhaust Kit Part No. 279823. See "Exhaust requirements," Panel B.

**Four-inch metal exhaust duct is required.**

**Standpipe drain system** needs a two-inch diameter standpipe with a minimum carry-away capacity of 17 gallons per minute. Top of standpipe must be at least 28 inches high and no higher than 48 inches from floor.

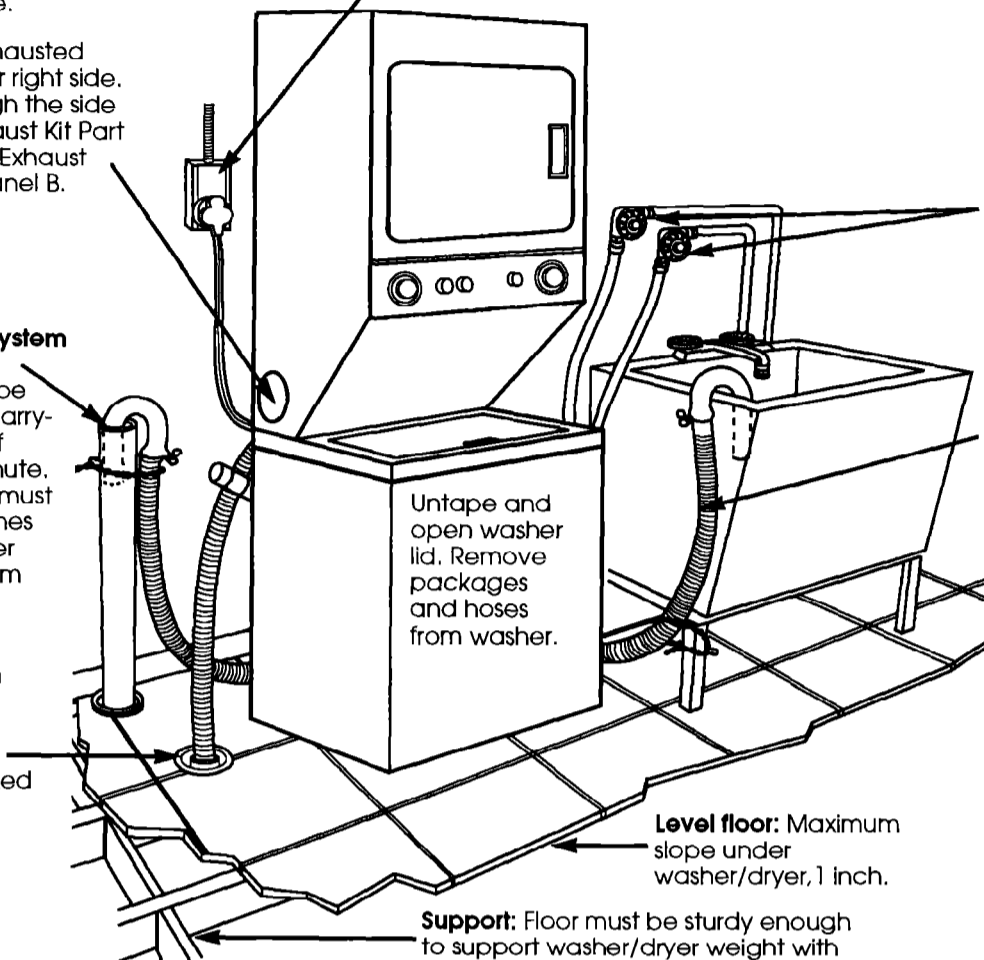
**Floor drain system** requires a siphon break, Part No. 285320, available from your authorized parts distributor.

SEE RECESSED AND CLOSET INSTALLATION INSTRUCTIONS ON PANEL G.

**Important: Observe all governing codes and ordinances.**

**Check code requirements.** Some codes limit or do not permit the installation of clothes dryers in garages, closets, mobile homes and sleeping quarters. Contact your local building inspector.

**Grounded electrical outlet** is required. See "Electrical requirements," Panel A.



## WARNING

### Electric Shock Hazard

It is the customer's responsibility:

- To contact a qualified electrical installer.
- To assure that the electrical installation is adequate and in conformance with National Electrical Code, ANSI/NFPA 70 — latest edition\*, and all local codes and ordinances.

Failure to do so could result in fire, electrical shock or other personal injury.

Copies of the standards listed may be obtained from:

- \* National Fire Protection Association  
Batterymarch Park  
Quincy, Massachusetts 02269

Hot and cold water faucets must be within 4 feet of the back of the washer/dryer and provide water pressure of 5-100 psi.

Water heater: Set to deliver 140°F water to the washer.

Laundry tub drain system needs a 20-gallon laundry tub. Top of tub must be at least 28 inches high and no higher than 48 inches from floor.

If a longer drain hose is needed, Drain Hose Part No. 388423, and Hose Connection Kit Part No. 285442, are available from your authorized parts distributor.

## CAUTION

### Product Damage

Do Not store or operate washer/dryer below 32°F (some water may remain in washer). Proper operation of dryer cycles requires temperatures above 45°F. See Use & Care Guide for "Winterizing" Information.

Failure to do so may result in damage from freezing.

## WARNING

### Personal Injury Hazard

More than one person is required to lift, tilt, or move this washer/dryer because of its weight and size.

Failure to follow these instructions may result in personal injury.

### Fire Hazard

- Do Not use or store gasoline, paint, thinners and other flammable materials near washer/dryer. Fumes from such materials could result in fire or explosion.
- Never install washer/dryer up against draperies or curtains or on carpet. To do so may result in a fire.
- Keep any and all items from falling or collecting behind the washer/dryer. Failure to do so may result in a fire.
- Replace all access panels before operating washer/dryer.

Failure to follow these instructions may result in a fire, explosion or electrical shock.

## Electrical requirements

## WARNING

### Electrical Shock Hazard

- Electrical ground is required on this appliance.
- Do Not ground to a gas pipe.
- Do Not modify the power supply cord plug. If it will not fit the outlet, have a proper outlet installed by a qualified electrician.
- Do Not have a fuse in the neutral or grounding circuit. A fuse in the neutral or grounding circuit could result in an electrical shock.
- Do Not use an extension cord with this appliance.
- Check with a qualified electrician as to whether the appliance is properly grounded.

Failure to follow these instructions could result in serious injury or death.

If codes permit and a separate grounding wire is used, it is recommended that a qualified electrician determine that the grounding path is adequate.

1. A three-wire, single-phase, 120/240-volt, 60-Hz, AC-only electrical supply (or three-wire, 120/208-volt, if specified on the serial/rating plate) is required on a separate, 30-ampere circuit, fused on both sides of the line. A time-delay fuse or circuit breaker is recommended.

It is the personal responsibility and obligation of the customer to contact a qualified electrician to assure that the electrical installation is adequate and in conformance with the National Electrical Code, ANSI/NFPA 70 — latest edition\*, and all local codes and ordinances.

2. This washer/dryer is equipped with a 30-amp-rated, flexible-type, power supply cord (pigtail). Where local codes permit, it must be plugged into a mating 30-amp receptacle (NEMA Type 10-30R). See Figure 1.



10-30R  
3-wire receptacle  
Figure 1

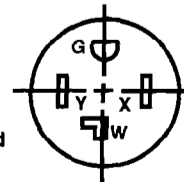
3. IF THE POWER SUPPLY CORD IS REMOVED, THE WASHER/DRYER MUST BE CONNECTED WITH 10-GAUGE COPPER WIRE ONLY. (See Panels E and F, "Alternate electrical connection," for detailed instructions.)

4. The power supply cord (pigtail) can be removed and the appliance can be connected directly to an individual 30-ampere fuse, circuit breaker box through flexible armored or non-metallic sheathed, 10-gauge minimum, copper cable.

Allow slack in the line between the wall and the appliance so that it can be moved if servicing is ever necessary. A 3/4", U.L.-listed strain relief must be provided at each end of the power supply cable (at the appliance and at the junction box).

5. For four-wire installations, the three-wire power supply cord must be removed and the appliance wiring must be revised. The appliance cabinet must not be grounded to the neutral terminal, but must be connected to the grounding wire (green) of the power supply cord. (See Panel F, "Alternate electrical connection" — under "Mobile home installation," for detailed instructions.)

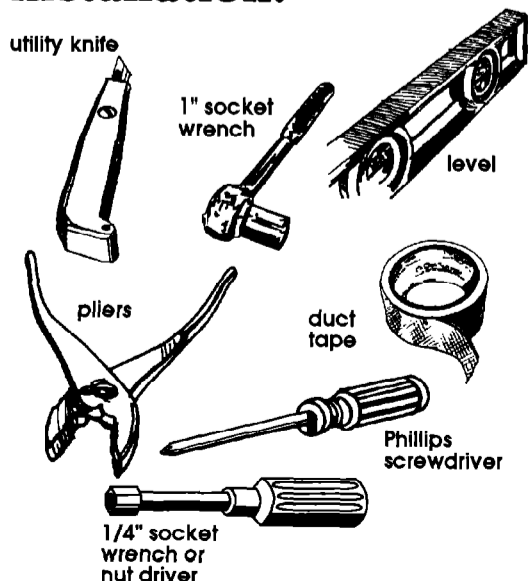
Typical 30-amp receptacle: use where local codes permit flexible-type supply cord (pigtail).



14-30R  
4-wire receptacle  
Figure 2

When a four-wire receptacle of NEMA Type 14-30R is used (see Figure 2), a new matching 120/240-volt minimum, 30-ampere, U.L.-listed dryer power supply cord kit (pigtail) must be used. Do Not reuse an old power supply cord. This cord contains four No. -10 copper conductors with ring terminals or spade terminals with upturned ends on dryer end terminating in a NEMA-Type 14-30R plug on supply end.

## Tools and materials needed for installation:



Panel A

The fourth (grounding) conductor must be identified by a green or green/yellow cover and the neutral conductor by a white cover. Cord should be type SRD or SRDT, with U.L.-listed strain relief and be at least four feet long. The power supply cord and strain relief are not provided with the washer/dryer.

## Exhaust requirements

### ! WARNING

#### Fire Hazard

- Do Not use non-metal, flexible duct.
- Do Not use metal duct smaller than 4 inches in diameter.
- Do Not use exhaust hoods with magnetic latches.
- Check that exhaust system is not longer than specified. Exhaust systems longer than specified will:
  - Accumulate lint.
  - Shorten the life of the product.
  - Reduce performance and result in longer drying times and increased energy usage.

Failure to follow specifications may result in a fire.

- Do Not exhaust the dryer into a chimney, furnace cold air duct, attic or crawl space, or any other duct used for venting.
- Clean the exhaust system every other year.
- Do Not install flexible duct under wall, ceiling or floor materials.

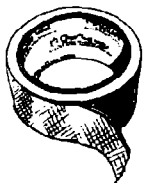
Accumulated lint could be fuel for a fire or cause moisture damage.

- Exhausting your dryer indoors is Not recommended. The moisture and lint indoors may cause:
  - Lint to gather inside and around the dryer and be a fuel for fire.
  - Moisture damage to woodwork, furniture, paint, wallpaper, carpet, etc.
  - Housecleaning problems and possible health problems.

Failure to follow these instructions could result in fire damage, personal injury or health problems.

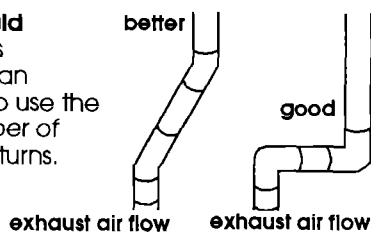
If using an existing exhaust system, clean lint from entire length of exhaust system. Make sure exhaust hood is not plugged with lint.

Replace plastic exhaust duct with rigid metal or flexible metal duct.



Use duct tape to seal all joints.

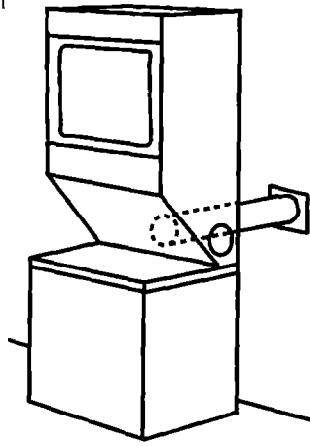
Four-inch rigid metal pipe is preferred. Plan installation to use the fewest number of elbows and turns.



Metal flexible duct must be fully extended and supported when the dryer is in its final position. DO NOT KINK OR CRUSH THE DUCT. The metal flexible duct must be completely open to allow adequate exhaust air to flow.

Allow as much room as possible when using elbows or making turns. Bend duct gradually to avoid kinking. Remove excess flexible duct to avoid sagging and kinking that may result in reduced air flow.

The exhaust duct can be routed up, down, left, right or straight out the back of the washer/dryer. Space requirements are provided on Panel G and on the rear panel of the washer/dryer.



Maximum length of the exhaust system depends upon the type of duct used, number of elbows and the type of exhaust hood. The maximum length for both rigid and flexible duct is shown in the chart.

NUMBER OF 90° TURNS	TYPE OF EXHAUST HOOD			
	A (4")	B (4")	C (2-1/2")	
0	43 ft	41 ft	36 ft	Maximum length of 4" dia. rigid metal duct.
1	33 ft	31 ft	26 ft	
2	23 ft	21 ft	16 ft	
0	30 ft	41 ft	41 ft	Maximum length of 4" dia. flexible metal duct.
1	24 ft	31 ft	31 ft	
2	16 ft	21 ft	21 ft	

The maximum length using a 2" x 6" rectangular duct with 2 elbows and a 2-1/2" (TYPE C) exhaust hood is 8 ft.

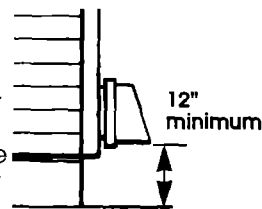
For exhaust systems not covered by the exhaust length chart, see *Service Manual*, Part No. 603197, available from your authorized parts distributor.

**Service check:** The back pressure in any exhaust system used must not exceed 0.3 inches of water column measured with an inclined manometer at the point that the exhaust duct connects to the dryer.

Exhausting the dryer outside is recommended. A closet installation must be exhausted outside. Recessed installation that is not exhausted outside must use Exhaust Deflector Kit Part No. 694609, available from your authorized parts distributor. See "Recessed and closet installation instructions," Panel G, for unobstructed air opening requirements.

If the washer/dryer is installed in a confined area such as a bedroom, bathroom or closet, it must be exhausted to the outside and provision must be made for enough air for combustion and ventilation. Check governing codes and ordinances. Also refer to the "Recessed and closet installation instructions" on Panel G.

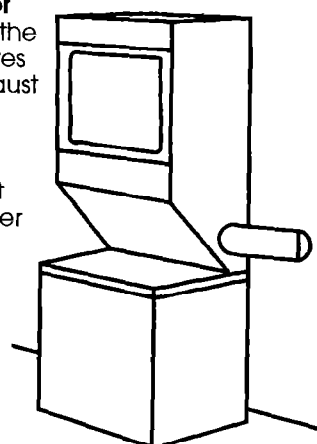
An exhaust hood should cap the exhaust duct to prevent exhausted air from returning into dryer. The outlet of the hood must be at least 12 inches from the ground or any object that may be in the path of the exhaust.



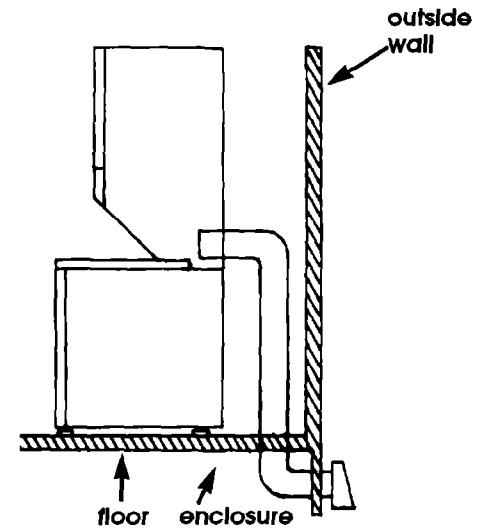
Four-inch outlet hood is preferred. However, a 2-1/2 inch outlet may be used with short systems only. A 2-1/2 inch outlet can result in longer drying times than other hood types.

For permanent installation, a stationary exhaust system is required.

Exhausting the dryer through the side of the washer/dryer requires the use of Side Exhaust Kit Part No. 279823, available from your authorized parts distributor. Follow kit instructions for proper exhaust installation.



## Mobile home installation



### Mobile home installation

This appliance is suitable for mobile home installations. The installation of the washer/dryer must conform to the **Manufactured Home Construction and Safety Standard, Title 24 CFR, Part 3280 (formerly the Federal Standard for Mobile Homes Construction and Safety, Title 24, HUD Part 280, latest edition).**

**Mobile home exhaust requirements:** The washer/dryer **must** have an outside exhaust. If the dryer is exhausted through the floor and the area under the mobile home is enclosed, the exhaust system **must** terminate outside the enclosed area. Extension beyond the enclosure will prevent lint and moisture buildup under the mobile home.

## Now start...

With washer/dryer in laundry area.

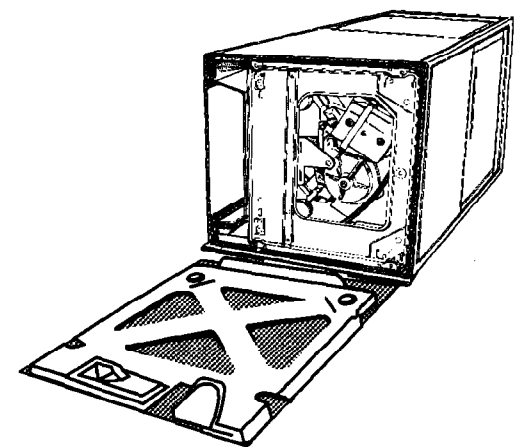
### ! WARNING

#### Personal Injury Hazard

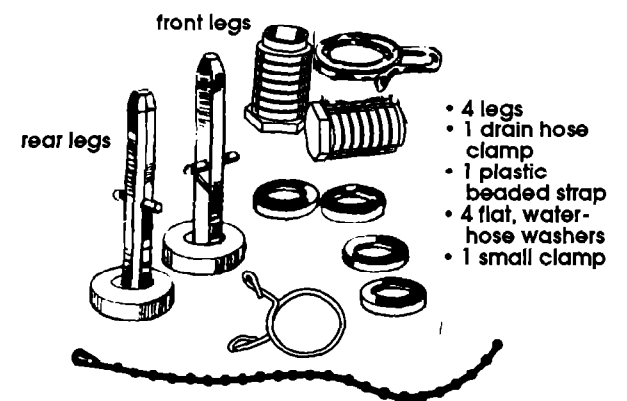
More than one person is required to lift, tilt or move the washer/dryer because of its weight and size.

Failure to follow this instruction may result in personal injury.

Truck only from the rear to prevent product damage.

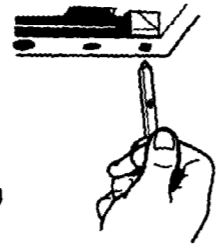


**1.** Remove shipping cardboard base.

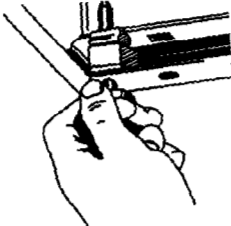


**2.** Remove parts from plastic package. Check that all parts were included.

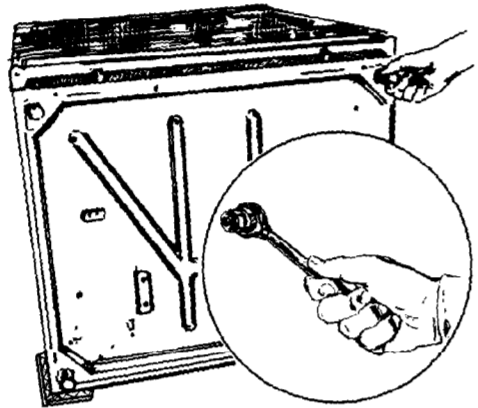
**3.** Place washer/dryer in the carton on its side. Insert a rear-leveling leg into the hole in the rear corner on the bottom of the washer/dryer. Push leg in until it snaps into place. Do the same thing with the other leveling leg in the other rear corner.



**4.** Push up one leg; check to see that the other leg goes down. Check the other leg the same way. (If legs do not adjust, repeat Step 3.)



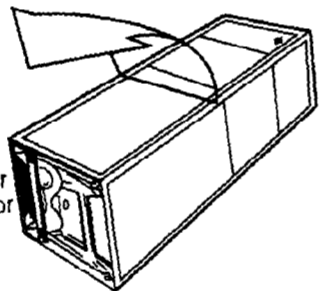
**5.** With one of the front legs in hand, check the ridges for a diamond marking. That's how far the leg is supposed to go into the hole. Start to screw the legs into the holes in the front corners by hand.



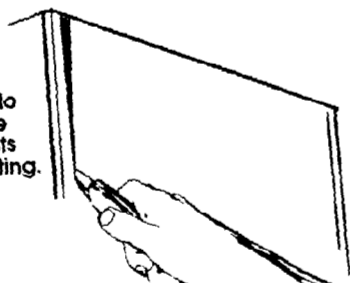
Use a wrench or 1" socket wrench to finish turning the legs until you reach the diamond mark.

**CAUTION**  
**Floor Damage**  
 Slide dryer onto cardboard or hardboard before moving across floor. Failure to do so may cause damage to floor covering.

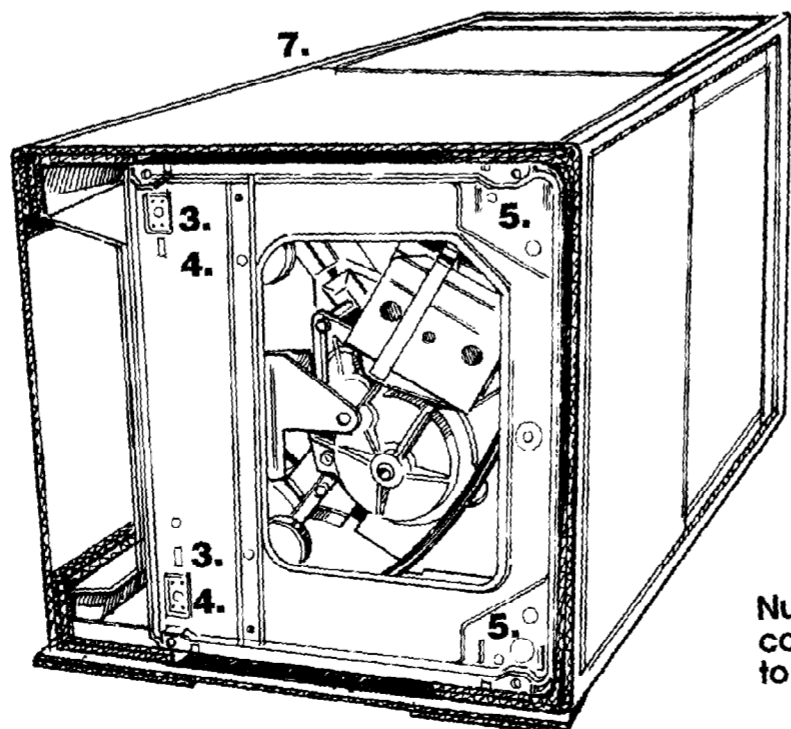
**6.** Now stand the washer/dryer up. Slide washer/dryer onto cardboard or hardboard.



To prevent product damage, do not remove corner posts before cutting.

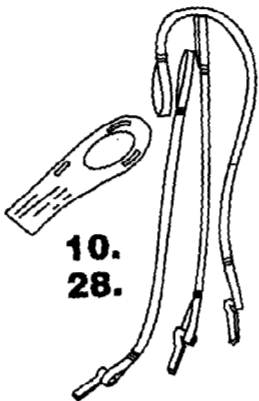
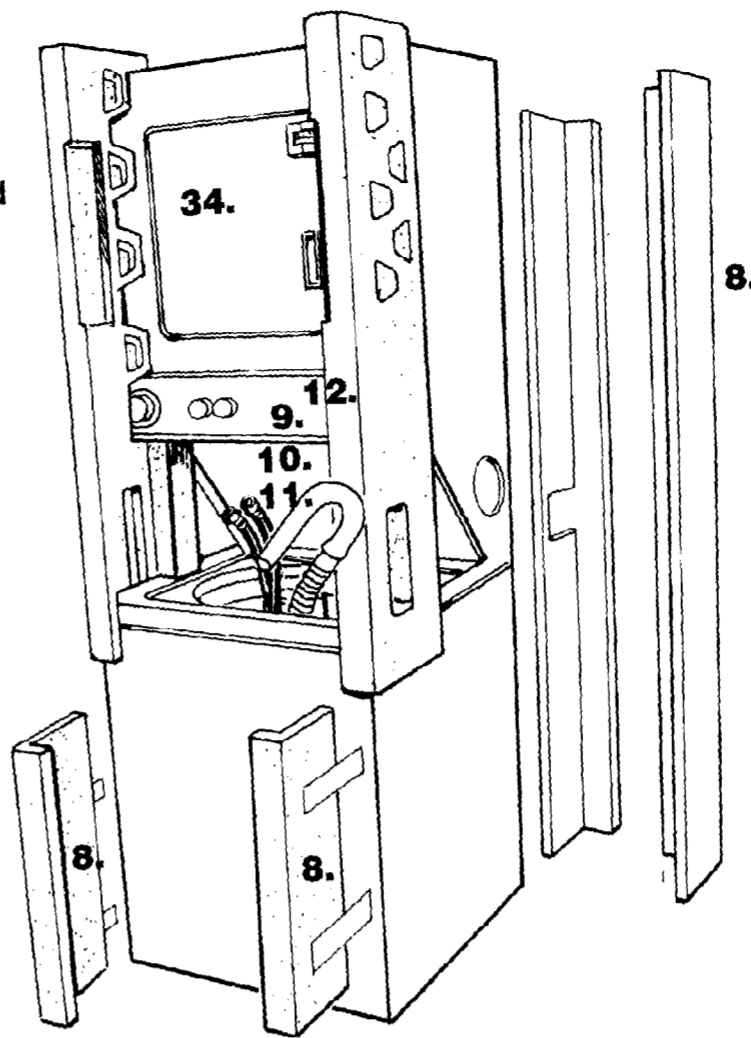


**7.** With the corner posts in place, cut the carton down one corner. Remove carton.



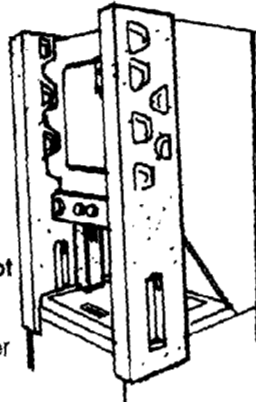
Panel C

Numbers correspond to steps.



10. 28.

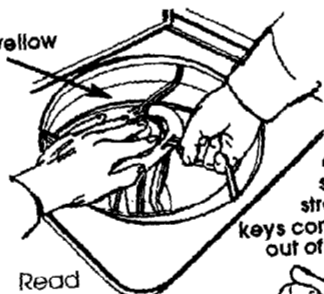
**8.** Remove the two rear corner posts located at the back of the washer/dryer. Remove the two corner pieces attached to the lower front of the washer/dryer. Do Not remove the foam shipping pieces between the washer and dryer until the unit is in place.



**9.** Move foam shipping pieces outward just enough to clear the washer lid. Open the washer lid. The latch under the dryer will hold lid open.



Read yellow card.



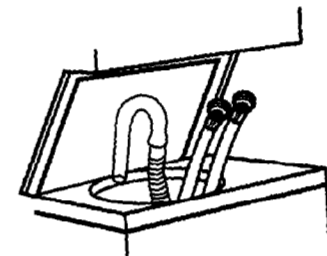
Pull all three shipping straps with keys completely out of washer.

**10.** Read the yellow card. Place hand on top of agitator when removing the shipping straps. Firmly jerk, then pull the three straps up until each strap with key is completely removed from washer. Put straps in the same area as rear corner shipping pieces.

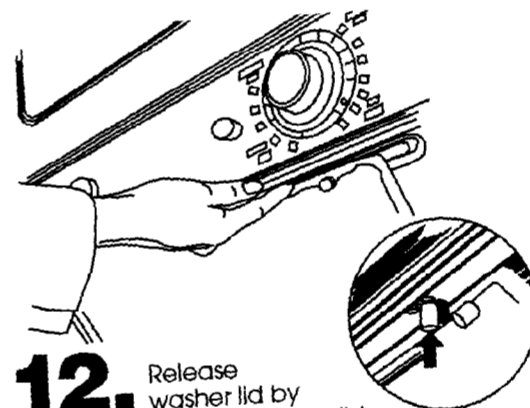


shipping strap with key

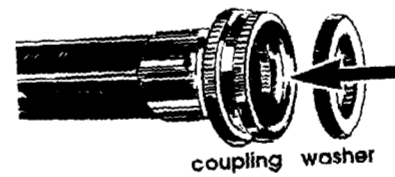
**11.** Remove yellow card. Take hoses out of basket. Place hoses with other parts.



**12.** Release washer lid by pushing up on latch. Close lid.



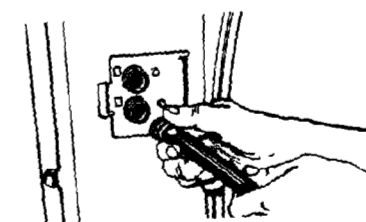
Use new hoses and washers that came with your washer/dryer.



coupling washer

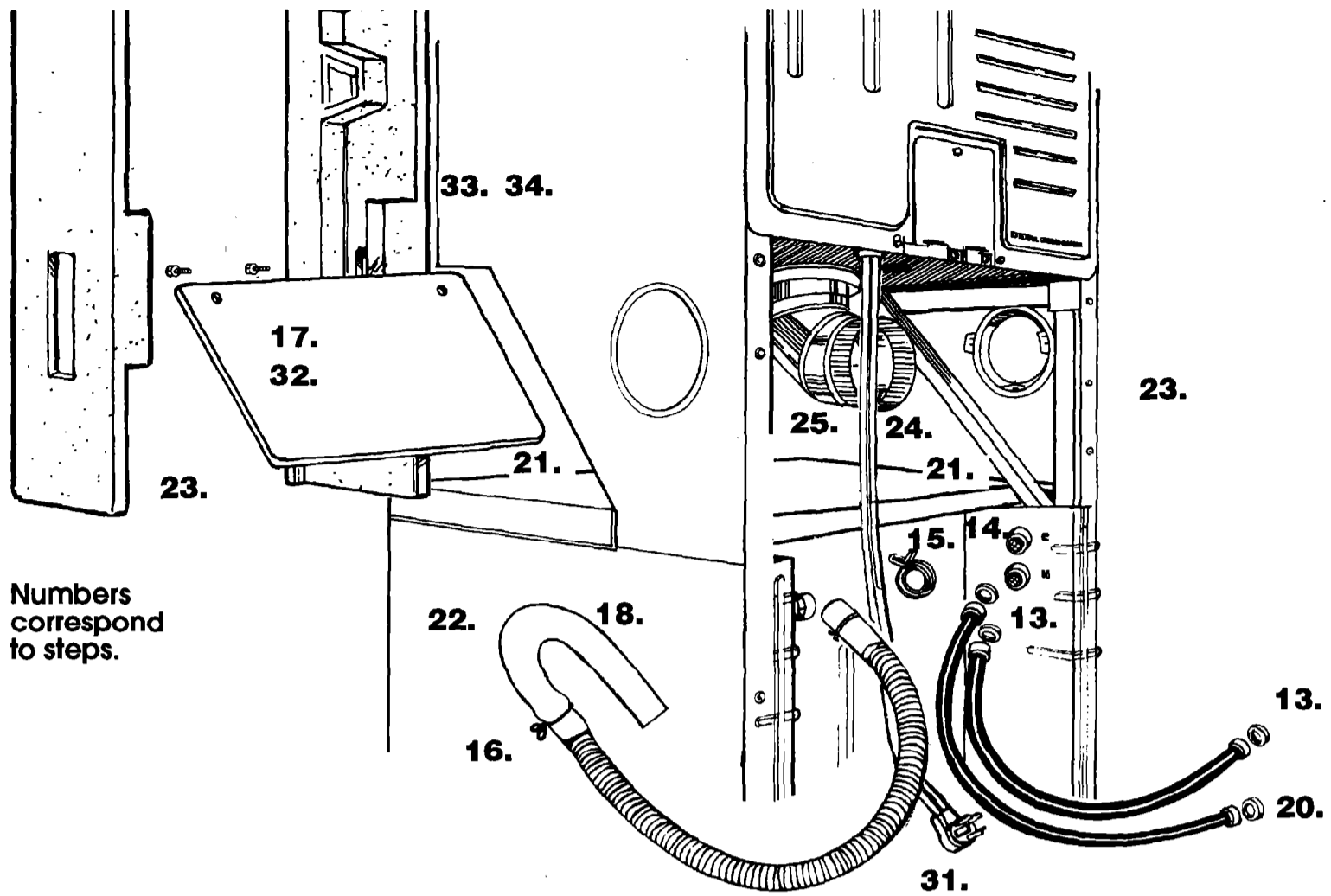
**13.** Insert a flat washer into each end of the inlet hoses. Check that washers are firmly seated in couplings.

Inlet valves are plastic. Do Not strip or crossthread.



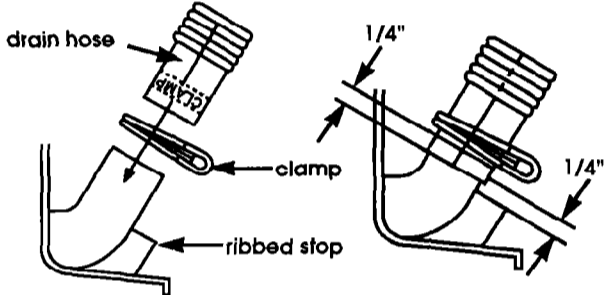
**14.** Attach hose to bottom inlet valve opening first. Attach second hose to top inlet valve. Tighten couplings by hand; then use pliers to make an additional two-thirds turn.

Numbers correspond to steps.



Numbers correspond to steps.

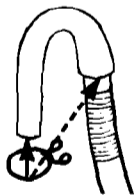
**IMPORTANT: THIS PROCEDURE MUST BE FOLLOWED TO ASSURE PROPER INSTALLATION.**



**15.** To prevent the drain hose from coming off or leaking, it must be installed per the following instructions:

1. Wet the inside end of the drain hose with tap water. **DO NOT USE ANY OTHER LUBRICANT.**
2. Squeeze ears of small clamp with pliers to open clamp and place clamp over end of drain hose.
3. While holding clamp open, work end of drain hose onto drain connector until drain hose is within 1/4 inch of ribbed stop.
4. Position clamp over the drain hose area marked "clamp." Release clamp. Clamp should be 1/4 inch from end of drain hose.

**16.** Open hose clamp and slide over "hook" end of drain hose to secure the rigid and corrugated sections together.



### CAUTION

#### Floor Damage

Slide washer/dryer onto cardboard or hardboard before moving across floor.

Failure to do so may cause damage to floor covering.

**17.** If you have room to work from either side of the washer/dryer, move washer/dryer close to final position so you can easily complete the installation steps.

If you are working in a closet or recessed area, move the washer/dryer into its final position and remove cardboard/hardboard from under washer/dryer. Remove the two Phillips-head screws located at the top of the access panel. (See illustration for Step 23). Remove access panel and set access panel, screws aside. Complete the following steps through the access area.

**18.** Put "hook" end of drain hose in laundry tub or standpipe. Check for proper length of drain hose.

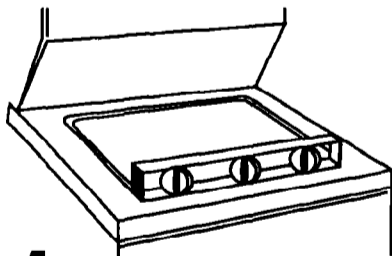
**DO NOT FORCE EXCESS LENGTH OF DRAIN HOSE DOWN THE STANDPIPE. THIS COULD CAUSE SIPHONING.**

**19.** Before attaching water inlet hoses, run water through both faucets into a bucket. This will get rid of any particles in water lines that might clog hoses. Mark which is the hot water faucet.



**20.** Attach bottom hose (inlet marked "H") to hot water faucet. Attach top hose (inlet marked "C") to cold water faucet. Tighten the couplings to the faucets by hand. Use pliers to make the final two-thirds turn.

**Move washer/dryer to its permanent position. Remove cardboard/hardboard from under washer/dryer.**



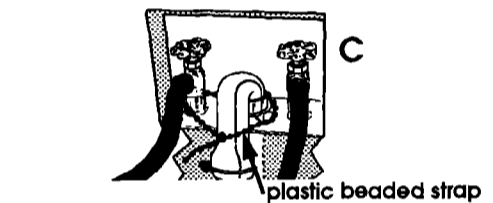
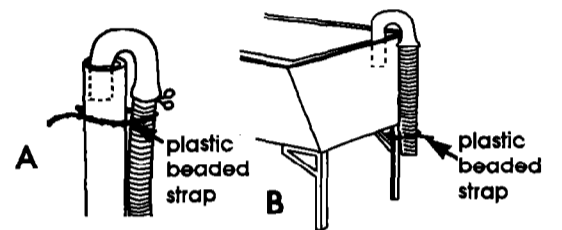
**21.** Check the levelness of washer/dryer by placing a carpenter's level on top of the washer, first side to side then front to back. If it is not level, adjust the front legs up or down. Tilt the washer/dryer forward — raising back legs 1 inch off the floor to let the rear self-leveling legs adjust. Gently lower the washer/dryer to the floor. Make final check with level.

### CAUTION

#### Property Damage

Secure the drain hose to the tub or standpipe with the plastic strap.

Failure to properly secure drain hose could result in water damage.



**22.** Put "hook" end of drain hose in tub or standpipe. Wrap the plastic beaded strap around the drain hose and tub or standpipe. Thread beaded end of strap through keyhole end. Pull until strap is tight. Slide strap into narrow end of keyhole to lock strap in place. See Figures A-B.

If the water inlet faucets and drain standpipe are recessed, put "hook" end of drain hose in standpipe. Tightly wrap the plastic beaded strap around the drain hose and faucet body. (**Do Not** wrap strap around the faucet handles or stems.) Thread beaded end of strap through keyhole end. Pull until strap is tight. Slide strap into narrow end of keyhole to lock strap in place. See Figure C.

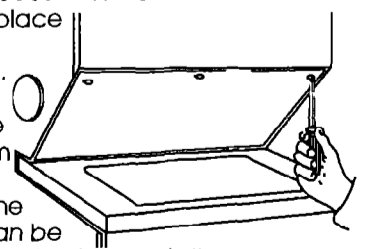
If drain hose cannot be strapped into place, hose must be cut exactly to length so "hook" end is held tightly over edge of tub or standpipe.

If a longer drain hose is needed, Drain Hose Part No. 388423 and Hose Connection Kit Part No. 285442 are available from your authorized parts distributor. If drain hose must be shortened, use Hose Connection Kit Part No. 285442.

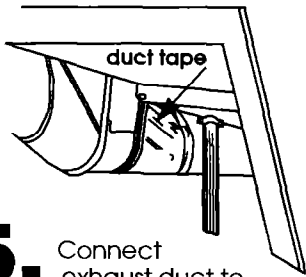
**Note: If washer/dryer is moved to adjust drain hose, the washer/dryer must be leveled again. Repeat Step 21. Place cardboard under the washer/dryer and carefully move washer/dryer to avoid damaging floor covering.**

**23.** Remove the two foam shipping pieces between the washer

and dryer and place with the other shipping pieces. If the exhaust duct cannot be connected from the side of the washer/dryer, the exhaust duct can be reached from the front through the access panel. Remove the two Phillips-head screws located at the top of the access panel. Set access panel and screws aside.



- 24.** Determine the length of exhaust duct that is needed to connect the dryer to the exhaust hood. (See "Exhaust requirements," Panel B).

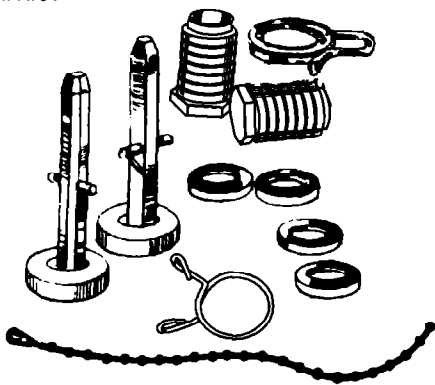


- 25.** Connect exhaust duct to washer/dryer and then to the exhaust hood.

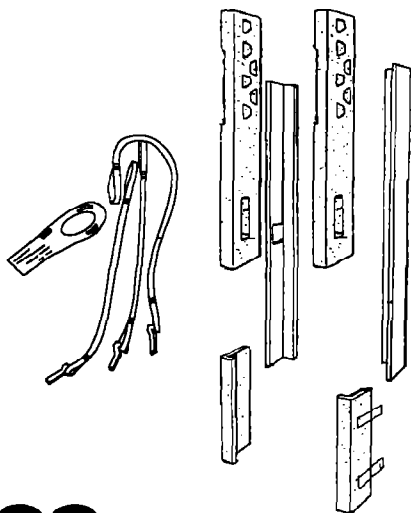
- Use the straightest path possible to avoid 90° turns.
- Use duct tape to seal **all** joints in the exhaust system.
- Use caulking compound to seal exterior wall opening around exhaust hood.

**26. CHECK ELECTRICAL REQUIREMENTS. BE SURE YOU HAVE CORRECT ELECTRICAL SUPPLY AND RECOMMENDED GROUNDING METHOD.**

Check the Installation Instructions to see that you have completed each step. Complete any missed steps before you continue.

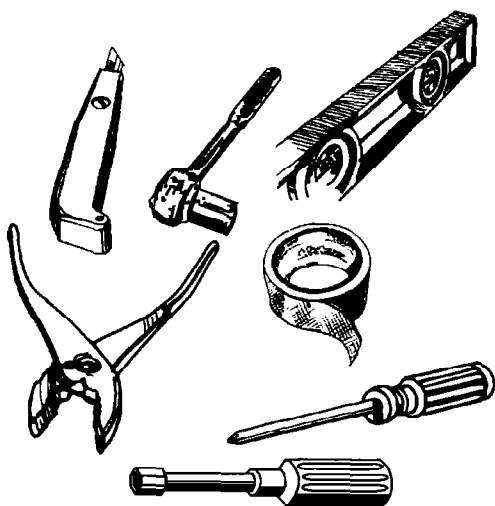


- 27.** Check that all parts are now **installed**. See parts list, Panel B. If there is an extra part, go back through the steps to see which step was skipped.



- 28.** Check that you removed all the shipping pieces, including the three shipping straps with keys.

If you do not remove all three shipping straps, your washer/dryer may "walk" away from its location.



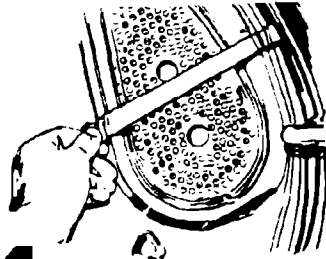
- 29.** Check that you have all your tools.

- 30.** Turn on water faucets and check for leaks. Tighten couplings if there is leaking.

- 31.** Plug power supply cord into grounded outlet.

- 32.** Replace the access panel. Be sure to tighten screws at each end of the access panel.

- 33.** Read the Use and Care Guide to fully understand your new washer/dryer. Now start the washer and allow it to complete the regular cycle.



- 34.** Remove tape from dryer door and open dryer door. Remove tape across the dryer lint screen. Check to be sure lint screen is in its proper position. Wipe out drum with a damp cloth to remove any dust. Start dryer and allow it to complete a heat cycle to make sure the dryer is working properly.

- 35.** Finally, save all literature and keep with washer/dryer.

You have just finished installing your new Whirlpool washer/dryer. To get the most efficient use from your new washer/dryer, read your Whirlpool Use & Care Guide.

**Congratulations!**

Keep Installation Instructions nearby where you can refer to them. They'll make reinstalling your Whirlpool washer/dryer in another home as easy as the first installation.

## Alternate electrical connection

### ! WARNING

#### Electrical Shock Hazard

- Electrical ground is required on this appliance.
- Do Not ground to a gas pipe.
- Do Not modify the power supply cord plug. If it will not fit the outlet, have a proper outlet installed by a qualified electrician.
- Use a new 30-ampere power supply cord kit. Do Not reuse an old power supply cord. Possible electrical shock or fire hazard could occur if old power supply cord is used.
- Do Not have a fuse in the neutral or grounding circuit. A fuse in the neutral or grounding circuit could result in an electrical shock.
- Do Not use an extension cord with this appliance.
- Check with a qualified electrician as to whether the appliance is properly grounded.

Failure to follow these instructions could result in serious injury or death.

If codes permit and a separate grounding wire is used, it is recommended that a qualified electrician determine that the grounding path is adequate.

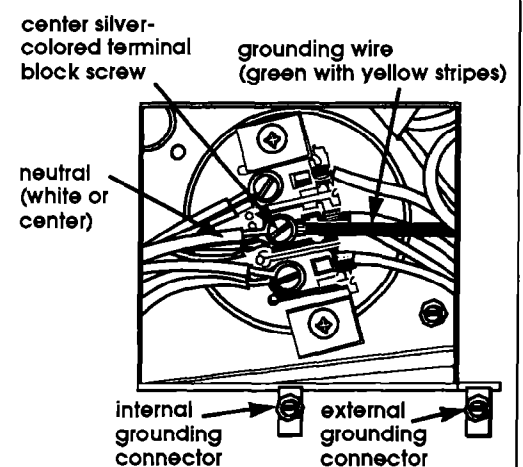
This appliance is manufactured with the neutral terminal connected to the cabinet.

## Power supply cord...

### A When local codes...

Permit use of a flexible type power supply cord (pigtail) that comes equipped with the washer/dryer but

Do Not Permit connecting the cabinet-grounding conductor to the neutral wire of the power supply cord:



Connect separate copper grounding wire from external grounding connector to approved ground.

Ungrounded neutral  
Figure 3

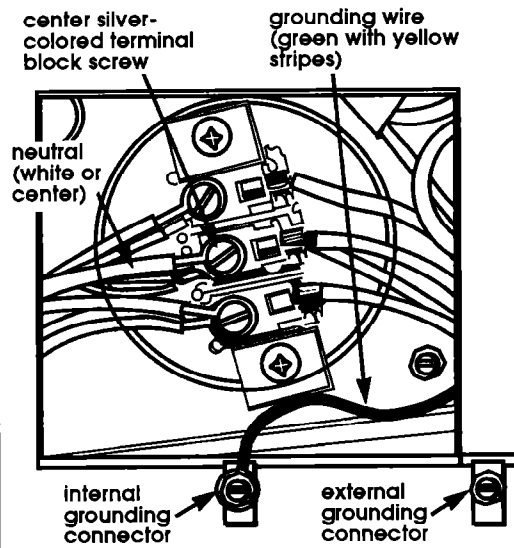
1. Disconnect the power supply.
2. Remove terminal block cover.
3. Remove the grounding wire (green with yellow stripes) from the internal grounding connector and fasten under center, silver-colored terminal block screw. See Figure 3.
4. Connect a separate copper grounding wire (No. 10 minimum). See "To connect a separate grounding wire," Panel F, for detailed instructions.
5. Replace the terminal block cover.

## Direct wire...

### B ■ When local codes...

**Do Not Permit** the use of the flexible power supply cord equipped with the washer/dryer and

**Permit** copper power supply cable and **Permit** connecting cabinet-grounding conductor to the neutral wire of the power supply cable:



Grounded neutral  
Figure 4

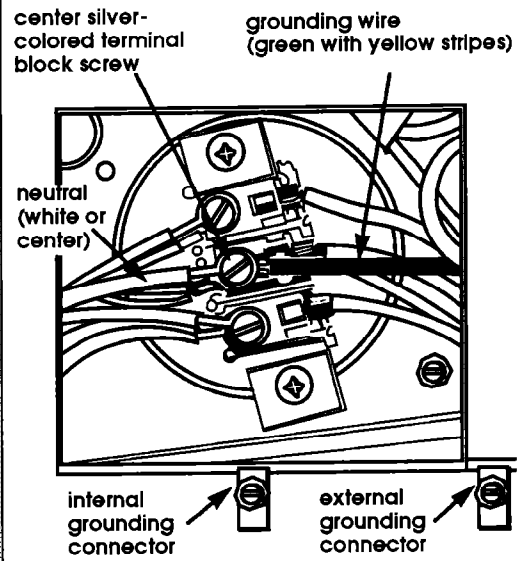
1. Disconnect the power supply.
2. Remove the power supply cord equipped with the washer/dryer as instructed. See "To remove the power supply cord," Panel G.
3. Install solid copper power supply cable through 3/4", U.L.-listed strain relief. Tighten strain relief to cabinet.
4. Connect the neutral wire of the flexible armored or non-metallic sheathed, copper power-supply cable to the center, silver-colored terminal screw of the terminal block. Connect the other wires to the outer terminals. Tighten screws firmly. See Figure 4. For plain-end wires, see "Direct wiring connection," Panel G.
5. Tighten strain relief clamp screws. Replace the terminal block cover.

## Direct wire...

### C ■ When local codes...

**Do Not Permit** the use of the flexible power supply cord equipped with the washer/dryer and

**Permit** copper power supply cable and **Do Not Permit** connecting cabinet-grounding conductor to the neutral wire of the power supply cable:



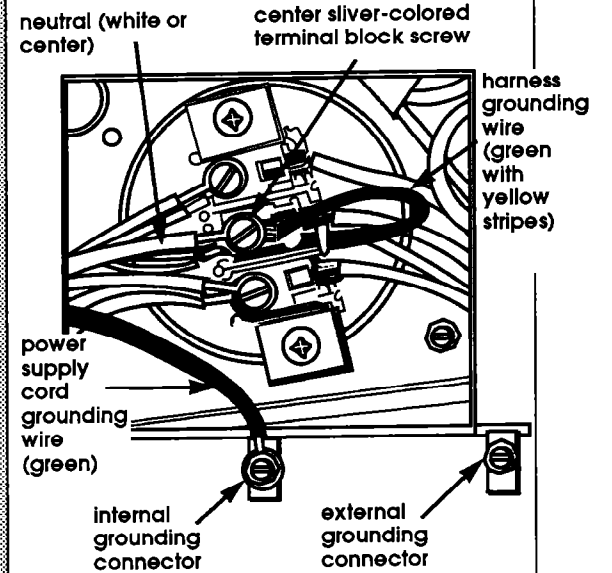
Ungrounded neutral  
Figure 5

- Connect separate copper grounding wire from external grounding connector to approved ground.
1. Disconnect the power supply.
  2. Remove the power supply cord equipped with the washer/dryer as instructed. See "To remove the power supply cord," Panel G.
  3. Install copper power supply cable through 3/4", U.L.-listed strain relief. Tighten strain relief to cabinet.
  4. Remove the grounding wire (green with yellow stripes) from the internal grounding connector and fasten under center, silver-colored terminal block screw.
  5. Connect the neutral wire of the flexible armored or non-metallic sheathed, copper power supply cable to the center, silver-colored terminal screw of the terminal block. Connect the other wires to the outer terminals. Tighten screws. See Figure 5. For plain-end wires, see "Direct wiring connection," Panel G.
  6. Connect a separate copper grounding wire (No.-10 minimum). See "To connect a separate grounding wire," Panel G, for detailed instructions.
  7. Tighten strain relief clamp screws. Replace the terminal block cover.

## Four wire...

### D ■ Mobile home and four-wire installation

When a four-wire receptacle, NEMA Type 14-30R is used, a matching 120/240-volt minimum, 30-ampere, U.L.-listed dryer power supply cord kit (pigtail) **must** be used. This cord contains four, No.-10 copper conductors with ring terminals or spade terminals with upturned ends on dryer end terminating in a NEMA Type 14-30P plug on supply end.



Four-wire ungrounded neutral  
Figure 6

1. Disconnect the power supply.
2. Remove the power supply cord equipped with the washer/dryer as instructed. See "To remove the power supply cord," Panel G.
3. Install copper, four-wire power supply cord or cable through 3/4", U.L.-listed strain relief. Tighten strain relief to cabinet.
4. Remove the harness grounding wire (green with yellow stripes) from the internal grounding connector and fasten under center, silver-colored terminal block screw.
5. Connect the grounding wire (green) of the copper four-wire power supply cord or cable to the internal grounding connector.
6. Connect the neutral (white) wire of the power-supply cord or cable to the center, silver-colored terminal screw of the terminal block. Connect the other wires to the outer terminals. Tighten screw. See Figure 6. For plain-end wires, see "Direct wiring connection," Panel G.
7. Tighten strain relief clamp screws. Replace the terminal block cover.

## Connection details...

### To connect a separate grounding wire —

Bumps on ground strap must contact pipe.

Tighten clamp securely to pipe.



Figure 7

Use grounding wire and clamp assembly (Part No. 685463) or No.-10 gauge minimum copper grounding wire.

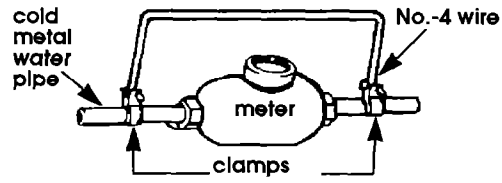


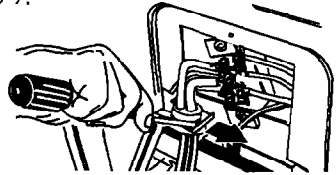
Figure 8

Connect grounding wire to a grounded cold water pipe\* with the clamp and then to the **external** grounding connector on the washer/dryer. See Figure 8. **Do not ground to a gas supply pipe or hot water pipe.** Do not connect the power supply cord to electric power supply until the appliance is permanently grounded.

\* Grounded cold water pipe must have metal continuity to electrical ground and not be interrupted by plastic, rubber or other electrical insulating connectors such as hoses, fittings, washers or gaskets (including water meter or pump). Any electrical insulating connector should be jumped as shown in Figure 7 with a length of No.-4 wire securely clamped to bare metal at both ends.

### To remove the power supply card —

1. Disconnect the power supply.
2. Remove the terminal block cover from the dryer.
3. Disconnect the power supply cord from the terminal block.
4. Use a screwdriver to slide the strain relief clip away from the power supply cord. See Figure 9.
5. Pull downward on the power supply cord until it is removed from the dryer. See Figure 9.



Pull out power supply cord. Slide strain relief clip away from power supply cord.

Figure 9

### To use non-metallic sheathed copper power supply cable —

If non-metallic sheathed copper power supply cable is used, it must be used with a 3/4", U.L.-listed strain relief (U.L. marked on it or Part No. 687000, available from your authorized parts distributor) to fit a one-inch hole size similar to one shown in Figure 10.

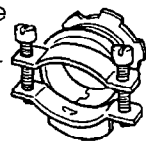


Figure 10

### Direct wiring connection

1. Strip outer covering back 3 inches from the end, exposing the three wires.
2. Strip insulation back 1 inch from end of each wire. Form the bare wires into a "U" shaped hook. See Figure 11.
3. Loosen, Do Not remove, screws from terminal block. Attach wires according to instructions for type of connection needed.
4. Slide the end of each wire under the screw with the open side of the hook on the right. Squeeze the wire together to form a loop.
5. Tighten each screw firmly.
6. Tighten strain relief screws.

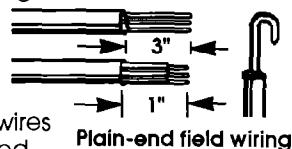
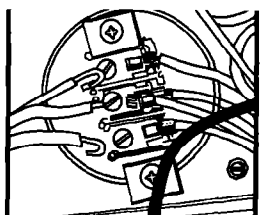


Figure 11



## Recessed and closet installation instructions

### ! WARNING

#### Fire Hazard

- It is recommended that the washer/dryer be exhausted to the outside.
  - If washer/dryer is installed in a closet, the dryer **MUST** be exhausted outside.
- Failure to do so may result in a fire.

To prevent large amounts of lint and moisture from accumulating and to maintain drying efficiency, and to prevent exposure to possible health hazards, this appliance should be exhausted outdoors.

### THIS WASHER/DRYER MAY BE INSTALLED IN A RECESSED AREA OR CLOSET.

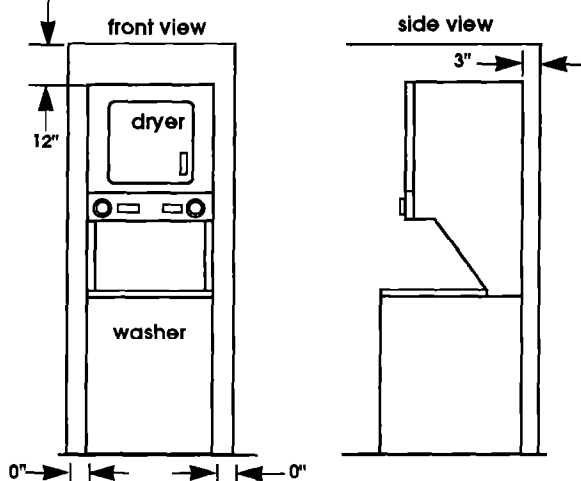
The installation spacing is in inches and is the minimum allowable.

Additional spacing should be considered for ease of installation, servicing and compliance with local codes and ordinances.

If closet door is installed, the minimum unobstructed air openings in top and bottom are required. Louvered doors with equivalent air openings are acceptable. Closet installation must be exhausted.

Other installations must use the minimum dimensions indicated.

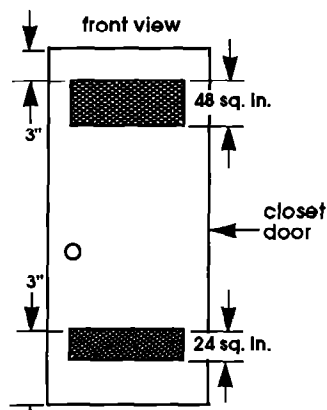
### Recessed installation



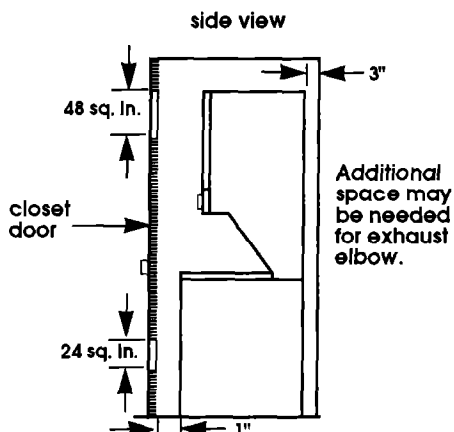
#### Minimum installation spacing

Note: If recessed installation is exhausted, all spacing can be 0 in. Additional clearance for wall, door and floor molding may be required.

### Closet installation



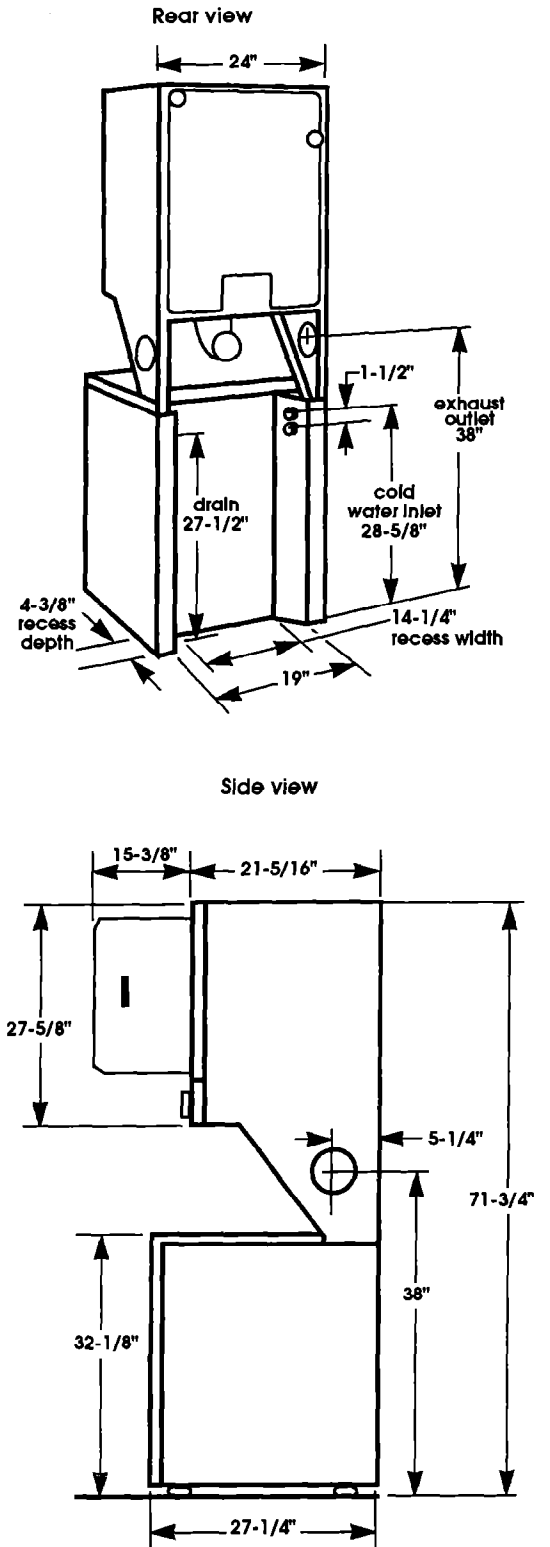
Unobstructed air openings are minimum for closet door. Louvered door with equivalent air openings is acceptable.



Closet installation must be exhausted outdoors.

Recessed, non-exhausted installation must use only the rear exhaust position and Exhaust Deflector Kit No. 4500 is required.

## Product dimensions





## **If washer/dryer does not operate...**

- Check that the circuit breaker is not tripped or the house fuse blown.
- Check that power supply cord is plugged into wall receptacle.

## **If you need assistance...**

Check your Use and Care Guide for a toll-free number to call, or call the dealer from whom you purchased this appliance. The dealer is listed in the Yellow Pages of your phone directory under "Appliances — Household — Major — Service and Repair." When you call, you will need the washer/dryer model number and serial number. Both numbers can be found on the serial/rating plate located behind the dryer door on the dryer door well.

