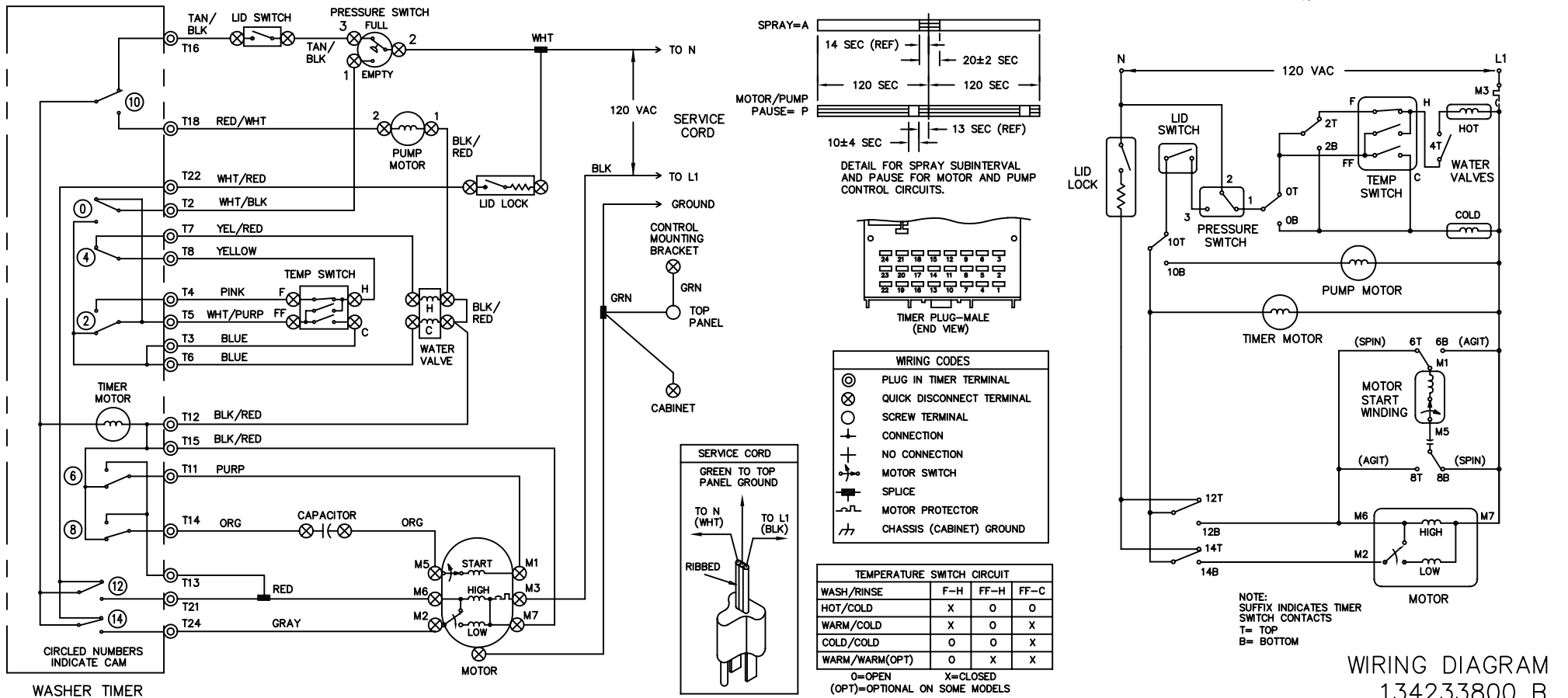
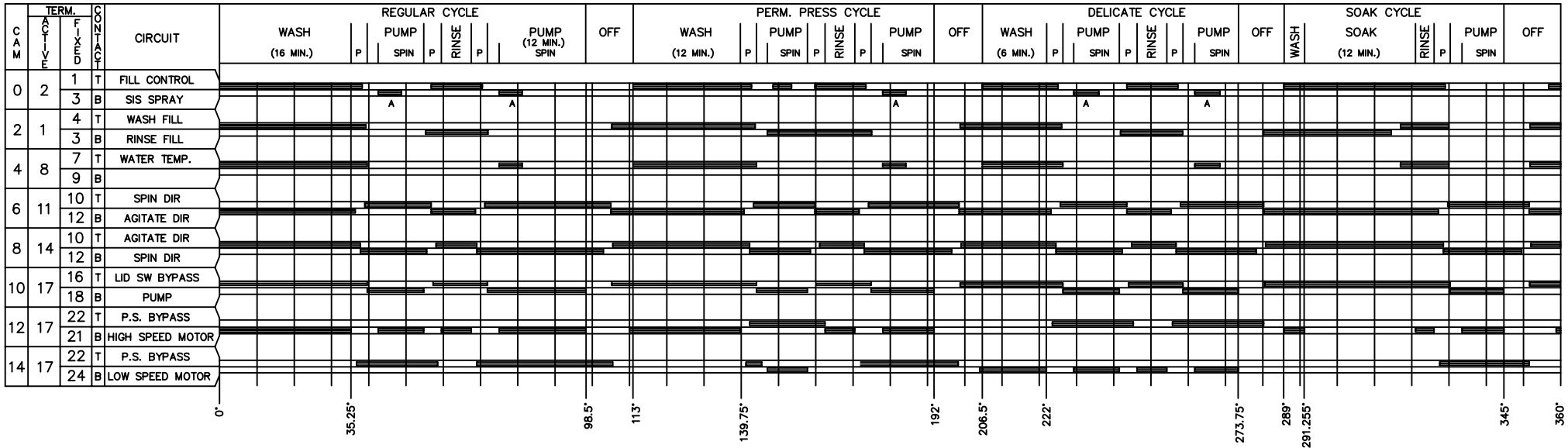


CAUTION: DISCONNECT ELECTRIC CURRENT BEFORE SERVICING



WIRING DIAGRAM
134233800 B