



# Bottom Freezer Refrigerators

**Safety Instructions** ..... 2, 3

**Operating Instructions**

Features ..... 4, 5  
Controls ..... 6-9  
Dispenser\* ..... 10  
Autofill\* ..... 11  
Water Filter ..... 12  
Fresh Food Storage Options ..... 13, 14  
Climate Zone & Temperature  
Controlled Drawer ..... 15, 16  
Freezer ..... 17  
Automatic Ice maker ..... 18  
Care and Cleaning ..... 19  
Replacing the Lights ..... 20

**Installation Instructions**

Preparing to Install the Refrigerator ..... 21, 22  
Installing the Refrigerator ..... 23-33  
Installing the Water Line ..... 34-36

**Troubleshooting Tips** ..... 38, 39

Normal Operating Conditions ..... 37  
Truth or Myth ..... 40, 41

**Consumer Support**

Warranty ..... 42  
RPWFE Water Filter Cartridge Limited Warranty ..... 43  
Performance Data Sheet ..... 44  
Consumer Support ..... Back Cover

\*Select Models Only

**Write the model and serial numbers here:**

**Model #** \_\_\_\_\_

**Serial #** \_\_\_\_\_

Find these numbers on a label on the left side, near the middle of the refrigerator compartment.

**Owner's Manual and Installation Instructions**

*GE and GE Profile™ models*

*Models that start with PFE, GFE, DFE, and GNE are Standard Depth Models (SD)*

*Models that start with GYE, PYE and PWE are Counter Depth Models (CD)*

## Réfrigérateurs

**Manuel d'utilisation et instructions d'installation**

*Modèles GE et GE Profile™*

La section française commence à la page 45

*Les numéros de modèle commençant par PFE, GFE, DFE, et GNE sont des modèles de profondeur normale (PN).*

*Les numéros de modèle commençant par GYE, PYE et PWE sont des modèles de profondeur de comptoir (PC).*

## Refrigeradores

**Manual del Propietario e Instrucciones de Instalación**

*GE y GE Profile™ modelos*

La sección en español empieza en la página 91

*Los modelos que comienzan con las letras PFE, GFE, DFE, y GNE son Modelos con Profundidad Estándar (SD)*

*Los modelos que comienzan con las letras GYE, PYE y PWE son Modelos con Profundidad de Mesada (CD)*

# IMPORTANT SAFETY INFORMATION. READ ALL INSTRUCTIONS BEFORE USING.

## SAFETY



*GE Appliances website*

For more information on your refrigerator's operation, visit [www.GEAppliances.com](http://www.GEAppliances.com)

### REFRIGERATOR SAFETY INFORMATION

**!** This is the safety alert symbol. This symbol alerts you to potential hazards that can kill or hurt you and others. All safety messages will follow the safety alert symbol and the word "DANGER", "WARNING", or "CAUTION". These words are defined as:

**! DANGER** Indicates a hazardous situation which, if not avoided, **will** result in death or serious injury.

**! WARNING** Indicates a hazardous situation which, if not avoided, **could** result in death or serious injury.

**! CAUTION** Indicates a hazardous situation which, if not avoided, **could** result in minor or moderate injury.

### IMPORTANT SAFETY INSTRUCTIONS

**! WARNING** To reduce the risk of fire, explosion, electric shock, or injury when using your refrigerator follow these basic safety precautions:

- This refrigerator must be properly installed and located in accordance with the Installation Instructions before it is used.
- Unplug the refrigerator before making repairs, replacing a light bulb, or cleaning.  
Note: Power to the refrigerator cannot be disconnected by any setting on the control panel.  
Note: Repairs must be performed by a qualified service professional.
- Replace all parts and panels before operating.
- Do not store or use gasoline or other flammable vapors and liquids in the vicinity of this or any other appliance.
- Because of potential safety hazards under certain conditions, we strongly recommend against the use of an extension cord. However, if you must use an extension cord, it is absolutely necessary that it be a UL-listed (in the United States) or a CSA certified (in Canada), 3-wire grounding type appliance extension cord having a grounding type plug and outlet and that the electrical rating of the cord be 15 amperes (minimum) and 120 volts.
- To prevent suffocation and entrapment hazards to children, remove the fresh food and freezer doors from any refrigerator before disposing of it or discontinuing its use.
- Do not allow children to climb, stand or hang on the door handles or the shelves in the refrigerator. They could seriously injure themselves.

### IMPORTANT SAFETY INSTRUCTIONS

**! CAUTION** To reduce the risk of injury when using your refrigerator, follow these basic safety precautions.

- Do not clean glass shelves or covers with warm water when they are cold. Glass shelves and covers may break if exposed to sudden temperature changes or impact, such as bumping or dropping. Tempered glass is designed to shatter into many small pieces if it breaks.
- Keep fingers out of the "pinch point" areas; clearances between the doors and between the doors and cabinet are necessarily small. Be careful closing doors when children are in the area.
- Do not touch the cold surfaces in the freezer compartment when hands are damp or wet, skin may stick to these extremely cold surfaces.
- Do not refreeze frozen foods which have thawed completely.
- In refrigerators with automatic icemakers, avoid contact with the moving parts of the ejector mechanism, or with the heating element that releases the cubes. Do not place fingers or hands on the automatic ice making mechanism while the refrigerator is plugged in.

## INSTALLATION

**! WARNING**  **Explosion Hazard.**

Keep flammable materials and vapors, such as gasoline, away from refrigerator. Failure to do so can result in fire, explosion, or death.

**SAFETY (CONT.)****⚠ WARNING****Tip Over Hazard.**

Built-in style models (model PYE, CYE, GYE, PWE, CWE, and ZWE) are top heavy, especially with any doors open. These models must be secured with the anti-tip floor bracket to prevent tipping forward, which could result in death or serious injury. Read and follow the entire installation instructions for installing the anti-tip floor bracket packed with your refrigerator.

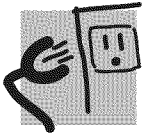
**CONNECTING ELECTRICITY****⚠ WARNING****Electrical Shock Hazard.**

Plug into a grounded 3-prong outlet

Do not remove the ground prong

Do not use an adapter

Failure to follow these instructions can result in death, fire, or electrical shock.



**Do not, under any circumstances, cut or remove the third (ground) prong from the power cord. For personal safety, this appliance must be properly grounded.**

The power cord of this appliance is equipped with a 3-prong (grounding) plug which mates with a standard 3-prong (grounding) wall outlet to minimize the possibility of electric shock hazard from this appliance.

Have the wall outlet and circuit checked by a qualified electrician to make sure the outlet is properly grounded.

Where a standard 2-prong wall outlet is encountered, it is your personal responsibility and obligation to have it replaced with a properly grounded 3-prong wall outlet. Do not use an adapter.

The refrigerator should always be plugged into its own individual electrical outlet which has a voltage rating that matches the rating plate.

A 115 Volt AC, 60 Hz, 15- or 20-amp fused, grounded electrical supply is required. This provides the best performance and also prevents overloading house wiring circuits which could cause a fire hazard from overheated wires.

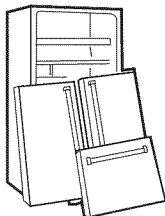
Never unplug your refrigerator by pulling on the power cord. Always grip plug firmly and pull straight out from the outlet.

Repair or replace immediately all power cords that have become frayed or otherwise damaged. Do not use a cord that shows cracks or abrasion damage along its length or at either end.

When moving the refrigerator away from the wall, be careful not to roll over or damage the power cord.

**PROPER DISPOSAL OF YOUR OLD REFRIGERATOR****⚠ WARNING****Suffocation and child entrapment hazard.**

Remove fresh-food and freezer doors from the refrigerator, prior to disposal. Failure to do so can result in child entrapment which can lead to death or brain damage.

**IMPORTANT:**

Child entrapment and suffocation are not problems of the past. Junked or abandoned refrigerators are still dangerous even if they will sit for "just a few days." If you are getting rid of your old refrigerator, please follow the instructions below to help prevent accidents.

**Before You Throw Away Your Old Refrigerator or Freezer:**

- ❑ Take off the fresh food and freezer doors.
- ❑ Leave the shelves in place so that children may not easily climb inside.

**Refrigerants**

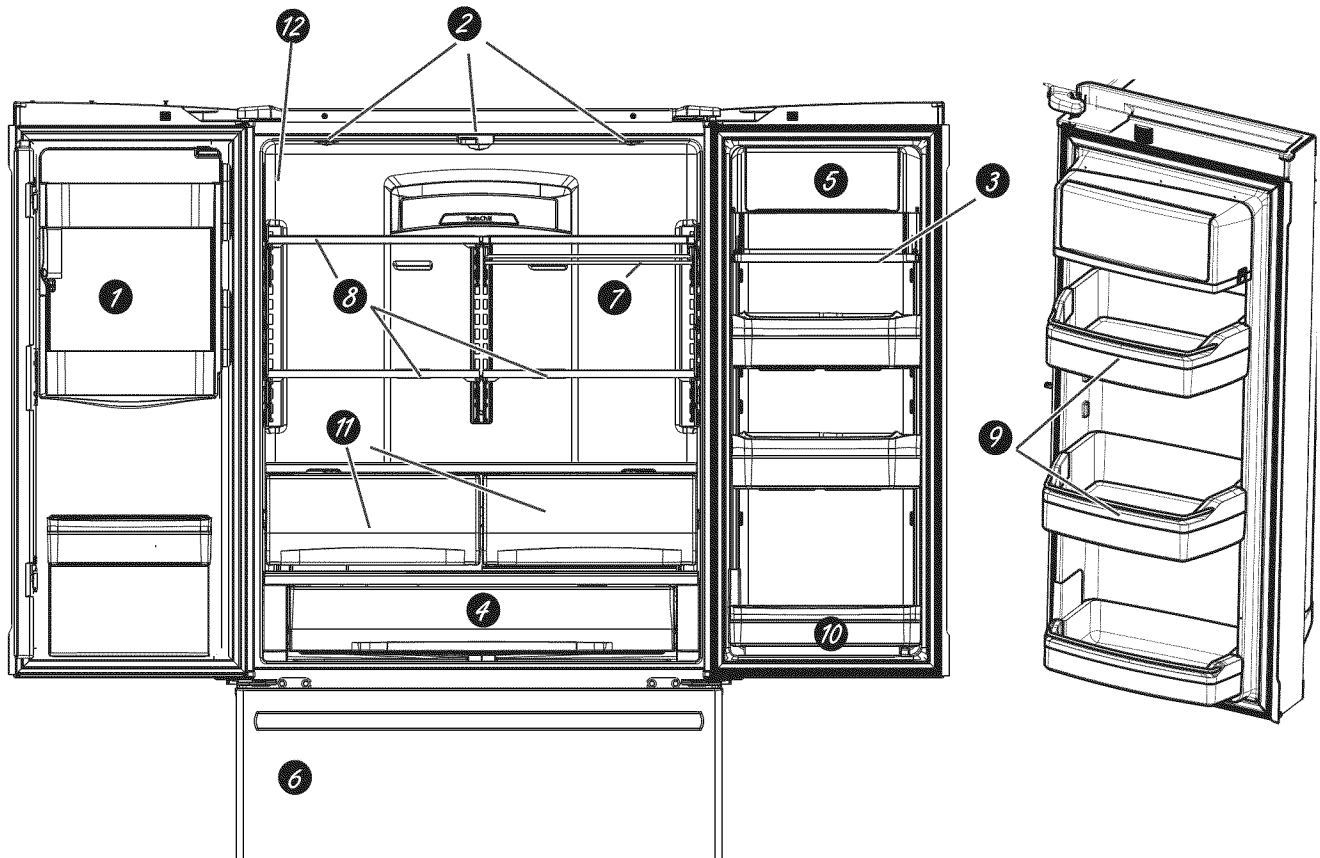
All refrigeration products contain refrigerants, which under federal law must be removed prior to product disposal. If you are getting rid of an old refrigeration product, check with the company handling the disposal about what to do.



**READ AND FOLLOW THIS SAFETY INFORMATION CAREFULLY.**

**SAVE THESE INSTRUCTIONS**

## About the features. \*

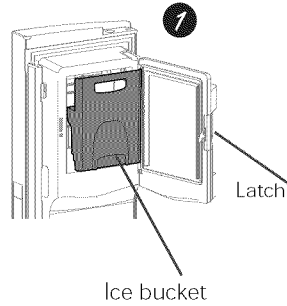


- 1 Space-saving ice maker\***  
Ice maker and bin are located on the door creating more usable storage space.
- 2 Showcase LED lighting**  
LED lighting is positioned throughout the interior to spotlight areas in the refrigerator. LEDs are located under the fresh food door to light the freezer when opened.
- 3 Drop-down tray\***  
Allows for extra door storage when you need it and tucks away when you don't.
- 4 Full-width temperature controlled drawer**  
(on some models)  
Adjustable temperature control bin that can accommodate larger items.
- 5 Dairy bin\***  
Separate compartment for your items.
- 6 Dual ice maker/Ice bin** (on some models)  
An ice maker in both compartments gives you more ice whenever you need it
- 7 QuickSpace™ shelf\***  
Functions as a normal full-sized shelf when needed and easily slides back to store tall items below.
- 8 Spillproof shelves**  
Designed to capture your spills for easier clean up.
- 9 Anti-slip Mat\***  
Liner that captures spills, keeps containers from shifting when the door is opened and is easily removable for cleaning.
- 10 Removable door bin**  
Can be removed for those with a wall limiting the door opening.
- 11 Climate zone bin**  
Separate bins for produce storage.
- 12 Water filter\***  
Filters water & Ice

\*Select Models Only

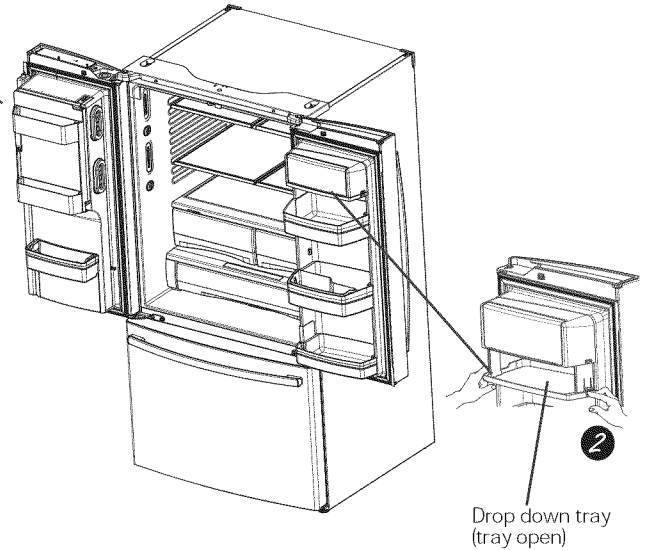
**1 Door ice bin\***

1. Open left fresh food door.
2. Pull down latch to release bin door.
3. Using handhold lift ice bucket up and out to clear locators in bottom of bin.
4. To replace the ice bucket, set it on the guide brackets and push until the ice bucket seats properly.
5. If bucket cannot be replaced, rotate the Ice Bucket Fork 1/4 turn clockwise.



**2 Drop down dairy bin\***

1. Open right fresh food
2. Depress both buttons on lower sides and bin will drop down.
3. Reverse to reinstall.



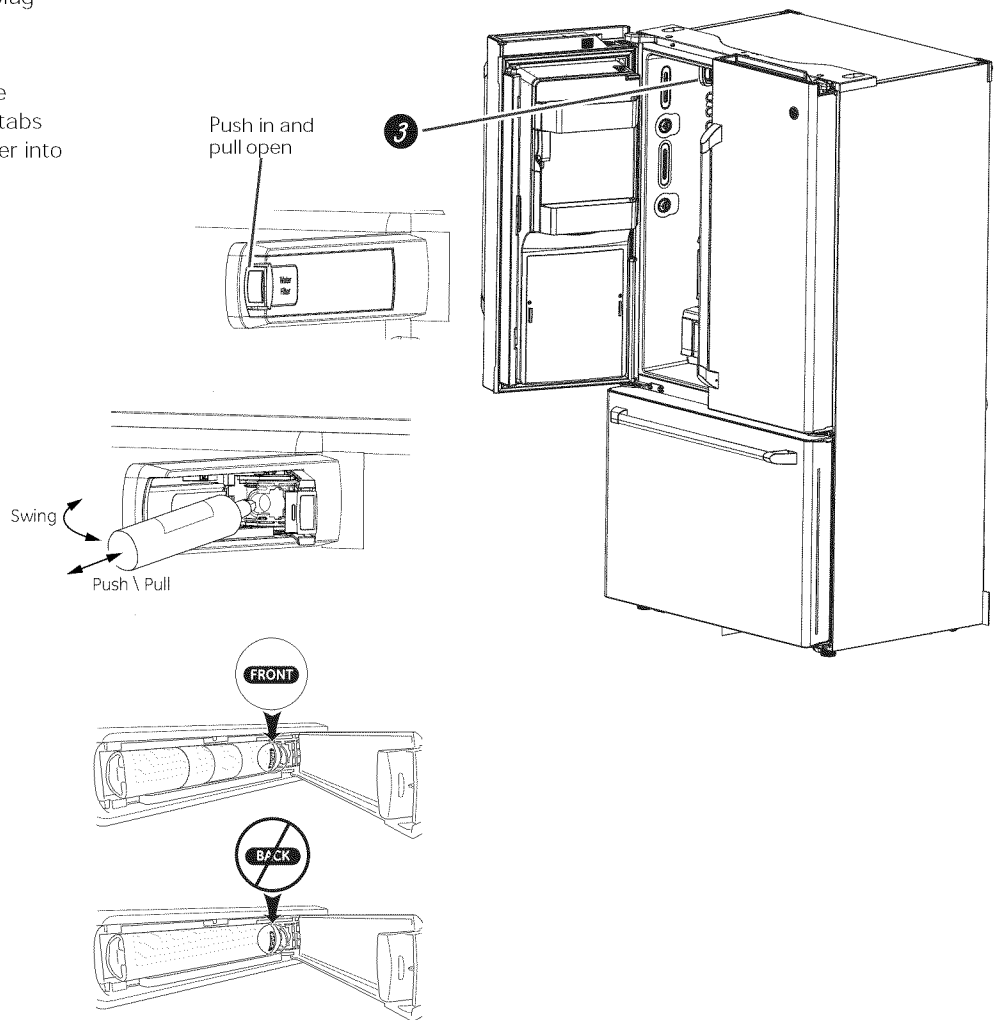
**3 Ice/water filter**

**Remove filter/bypass plug**

Push the indent on the cover and open filter door. Pull out on filter/bypass plug and pull straight back to remove.

**Installing the filter cartridge**

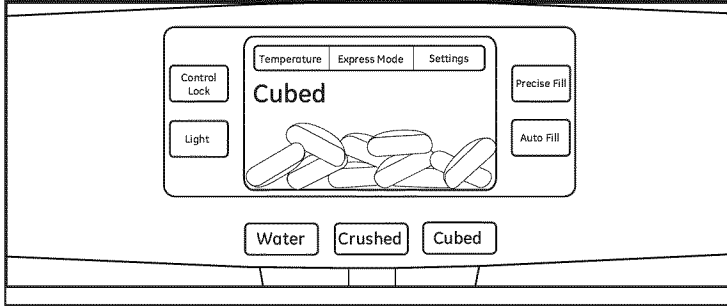
Push the indent at the bottom of the cover and open. Lift door and align tabs on filter to filter/holder and push filter into place.



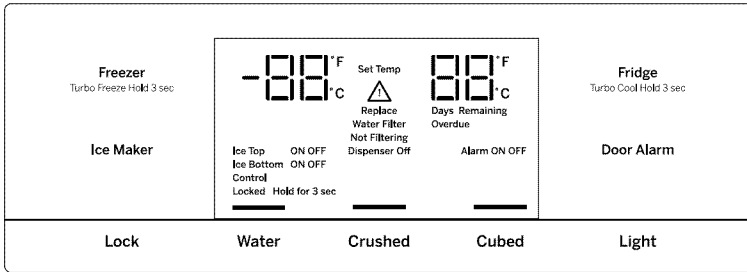
\*Select Models Only

# About the controls with temperature settings.

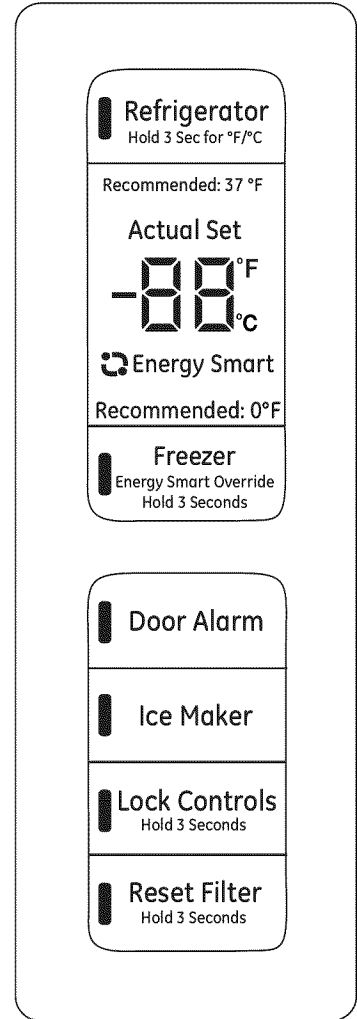
PFE28,PYE22P Control Style A, LCD External Control



GFE28, GFE26, DFE28, GYE22 Control Style B, External Control



GNE29, PWE23 Control Style C, Internal Control



**NOTE:** The refrigerator is shipped with protective film covering the temperature controls. If this film was not removed during installation, remove it now.

The temperature controls are preset in the factory at 37°F for the refrigerator compartment and 0°F for the freezer compartment. Allow 24 hours for the temperature to stabilize to the preset recommended settings.

The temperature controls can display both the SET temperature as well as the actual temperature in the refrigerator and freezer. The actual temperature may vary slightly from the SET temperature based on usage and operating environment.

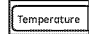
## Changing the Temperature for Control Style A

**To Change the Refrigerator Temperature:**

**Access By:** Temperature Button 

**Activate By:** Below the word "Refrigerator", use the arrows to select the desired temperature. Press **DONE** when finished to return to **HOME** screen.

**To Change the Freezer Temperature:**

**Access By:** Temperature Button 

**Activate By:** Below the word "Freezer", use the arrows to select the desired temperature. Press **DONE** when finished to return to **HOME** screen.

To turn **OFF** cooling system, access **SETTINGS** from the **HOME** screen. Page over and tap **COOLING SYSTEM ON**. Press **DONE** to return to **HOME** screen.

To turn **ON** cooling system, access **SETTINGS** from the **HOME** screen. Page over and tap **COOLING SYSTEM OFF**. Press **DONE** to return to **HOME** screen.

Turning the cooling system off stops the cooling to refrigerator, but it does not shut off the electrical power.

---

## Changing the Temperature for Control Style B

**To change the temperature**, press and release the **Freezer** or **Fridge** pad. The display will show the set temperature. To change the temperature, press either the **Freezer** or **Fridge** pad until the desired temperature is displayed.

To turn **OFF** cooling system, press and hold **Fridge** and **Ice Maker** simultaneously for 3 seconds. When the cooling system is **OFF** the display should read **OFF**.

---

## Changing Temp. for Control Style C

Temperature Display is located on inside of left-hand refrigerator door. **To change the temperature**, press and release the **REFRIGERATOR** or **FREEZER** pad. The **ACTUAL TEMP** light will come on and the display will show the actual temperature. To change the temperature, tap either the **REFRIGERATOR** or **FREEZER** pad until the desired temperature is displayed.

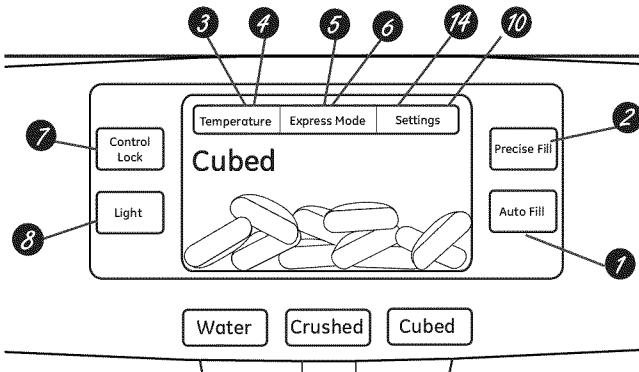
To turn **OFF** cooling system, press and hold the **REFRIGERATOR** and **FREEZER** pads simultaneously for 3 seconds. When the cooling system is **OFF** the display should read **OFF**.

To turn **ON** cooling system, press either **REFRIGERATOR** or **FREEZER** pad. The display will show the preset temperature settings of **37°F** for refrigerator and **0°F** for freezer. Turning the cooling system off stops the cooling to refrigerator, but it does not shut off the electrical power.

**NOTE:** For optimal temperature performance, we recommend to avoid placing food items directly at the air flow vents of the fresh food air tower and thus blocking the air flow.

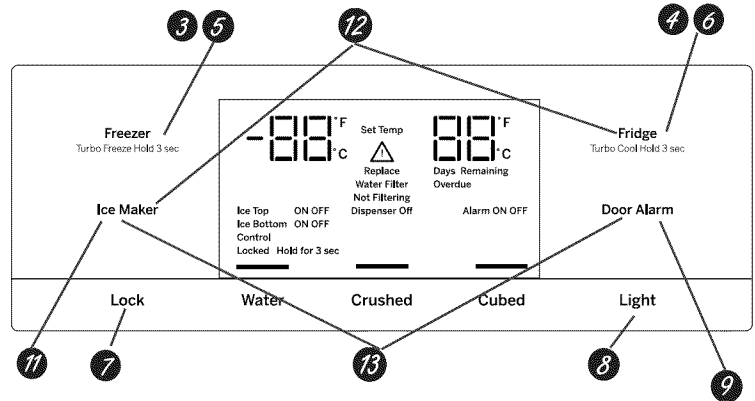
# About the controls - features.

## Control Style A, External Controls PFE28, PYE22P



## Control Style B, External Controls

GFE28, GFE26,  
DFE28, GYE22



### 1 Hands-free Autofill\*

Hands-free Autofill uses sensors to monitor container height to automatically dispense filtered water without having to activate the paddle.

### 2 PreciseFill setting\*

Precisely dispenses filtered water in accurate measurements in ounces, cups, quarts, or liters using paddle.

### 3 Refrigerator temp control

Adjust freezer compartment temperature.

### 4 Fresh food temp control

Adjust fresh food compartment temperature.

### 5 TurboFreeze™ setting

Activate TurboFreeze to quickly restore freezer temperatures after frequent door openings.

### 6 TurboCool™ setting

Activate TurboCool to quickly restore fresh food temperature after frequent door openings.

### 7 Lock controls

Press and hold 3 seconds to lock out ice and water dispenser and all feature and temperature buttons.

### 8 LED dispenser light

LED lighting that can be turned on/off to light your dispenser.

### 9 Door Alarm

Sounds to alert when the freezer or fresh food doors have been left open. Press and hold Door Alarm pad and it will toggle the sound between low, high and off.

### 10 Photo upload\*

Insert USB memory stick to upload personal photos to the refrigerator LCD screen. LCD will provide on screen prompts to load and view slideshow. Make sure the photos are in the root directory in your USB.

### 11 Ice maker setting

Turn your ice makers on/off.

### 12 Cooling system On/Off

Press and hold Fridge & Ice Maker simultaneously for 3 seconds to turn the cooling system on or off.

### 13 Metric/English units

Press and hold Ice Maker & door alarm simultaneously for 3 seconds to switch between Metric & English units.

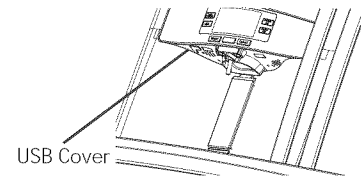
### 14 Additional settings:

- Photo upload and delete
- Slideshow
- Connected Home ready
- Reset water filter
- Ice maker on/off
- Door alarm
- Sound control
- Cooling system On/Off
- Metric/English units
- Auto fill video tutorial

### Additional Modes

#### • Sabbath Mode

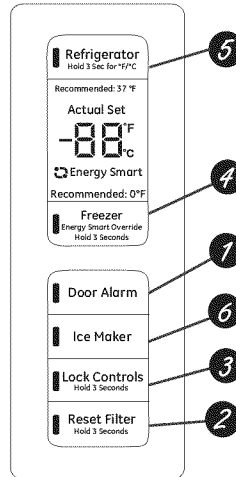
Press and hold lock & light simultaneously for 3 seconds to enter/exit Sabbath mode. Activate Sabbath Mode to turn off interior lights, temperature control and advanced features. Compressor will run on a timed defrost when in Sabbath mode.



\*Select Models Only



## Controls Style C, Internal Controls GNE29, PWE23



### 1 Door Alarm

Sounds to alert when the freezer or fresh food doors have been left open.

### 2 Reset Filter\*

Hold for 3 seconds after replacing filter.

### 3 Lock Controls

Press and hold 3 seconds to lock out ice and water dispenser and all feature and temperature buttons.

### 4 Freezer temp control

Adjust freezer compartment temperature

### 5 Refrigerator temp control

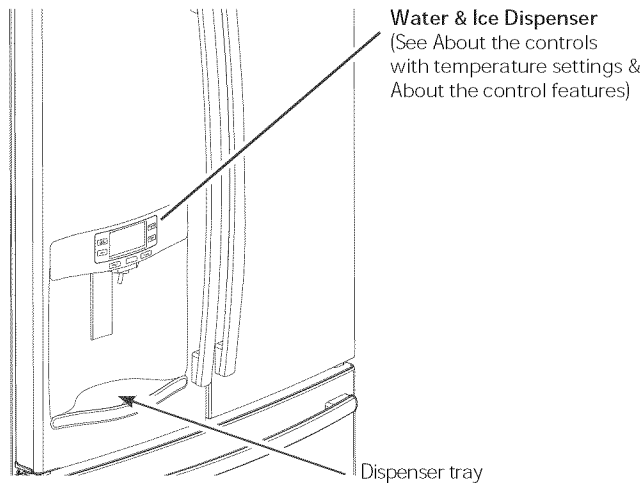
Adjust fresh food compartment temperature

### 6 Ice maker setting

Turn your ice makers on/off.

\*Select Models Only

## About the dispenser.\*



### **⚠ WARNING**

#### **Laceration Hazard**

- Never put fingers or any other object into ice crusher discharge opening. Doing so can result in contacting the ice crushing blades and lead to serious injury or amputation
- Use a sturdy glass when dispensing ice. A delicate glass may break and result in personal injury.

If no water is dispensed when the refrigerator is first installed, there may be air in the water line system. Press the dispenser paddle for at least five minutes to remove trapped air from the water line and to fill the water system. To flush out impurities in the water line, throw away the first six full glasses of water.

#### **To remove Dispenser Tray (Type A Only)**

- Pull Dispenser Tray out until it stops.
- Locate tab in the center on the bottom and push up.
- Pull Dispenser Tray assembly out.
- Lift metal Dispenser Tray out at center notch to clean.

#### **To remove Dispenser Tray (Type B Only)**

- Pull Dispenser Tray out.

#### **To reinstall Dispenser Tray (Type A Only)**

- Place the Dispenser Tray cover on top of catch tray and position under the two plastic retainers on either side.
- Center Dispenser tray, and align with center guides.
- Push in until it locks firmly in place.

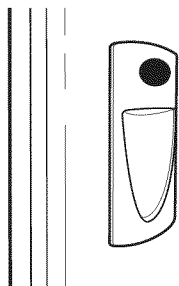
#### **To reinstall Dispenser Tray (Type B Only)**

- Center Dispenser Tray and push in until it snaps in place.

## Important Facts About Your Dispenser

- Do not add ice from trays or bags to the door ice maker bucket. It may not crush or dispense.
- Avoid overfilling glass with ice and use of narrow glasses. Backed-up ice can jam the chute or cause the door in the chute to freeze shut. If ice is blocking the chute remove the ice bucket, poke it through with a wooden spoon.
- Beverages and foods should not be quick-chilled in the door ice maker bin. Cans, bottles or food packages in the storage drawer may cause the ice maker or auger to jam.
- To keep dispensed ice from missing the glass, put the glass close to, but not touching, the dispenser opening.
- Some crushed ice may be dispensed even though you selected **CUBED ICE**. This happens occasionally when a few cubes accidentally get directed to the crusher.
- After crushed ice is dispensed, some water may drip from the chute.
- Sometimes a small mound of snow will form on the door in the ice chute. This condition is normal and usually occurs when you have dispensed crushed ice repeatedly. The snow will eventually evaporate.

## To Use the Internal Water Dispenser\*



The water dispenser is located on the left wall inside the refrigerator compartment.

#### **To dispense water:**

- 1 Hold the glass against the recess.
- 2 Push the water dispenser button.
- 3 Hold the glass underneath the dispenser for 2–3 seconds after releasing the dispenser button. Water may continue to dispense after the button is released.

If no water is dispensed when the refrigerator is first installed, there may be air in the water line system. Press the dispenser button for at least 5 minutes to remove trapped air from the water line and to fill the water system. During this process, the dispenser noise may be loud as the air is purged from the water line system. To flush out impurities in the water line, throw away the first 6 glassfuls of water.

**NOTE:** To avoid water deposits, the dispenser should be cleaned periodically by wiping with a clean cloth or sponge.

\*Select Models Only

### To Use HANDS FREE AUTO FILL:

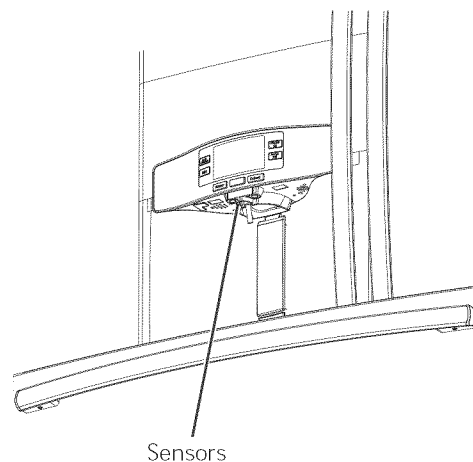
- Center container on Recess Dispenser Tray and remove hand from container
- Press **AUTO FILL**

### To Stop AUTO FILL

- Press **CANCEL**, to resume filling press **AUTO FILL**.

### Important Facts about AUTO FILL

- For optimum results, use a uniform container between 4-8" tall and 2-6" wide.
- Container shape, fill level and functionality may vary on containers taller than 8".
- Container volumes may vary, if error message "Container Not Found" is given, try a different container.
- **AUTO FILL** will time out.
- Handles and garnishes on the rim of the container may cause overfilling or variation in fill volumes.
- Splashing may occur depending on the location of the container, water flow rate, container shape, and ice cubes.
- Keep sensors clean with a clean damp cloth, and do not spray liquid or cleaners directly on sensors
- **AUTO FILL** works best with household water pressure of 60 to 100 psi.

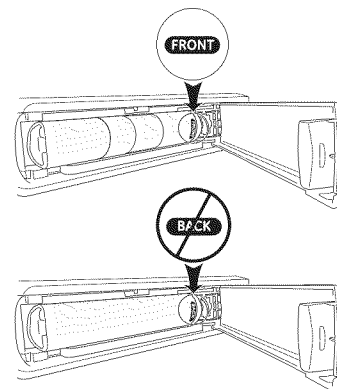


# About the GE® RPWFE water filter cartridge.

## Water Filter Cartridge

The water filter cartridge is located in the fresh food interior on the left side wall, near the top.

This product uses radio frequency identification (RFID) to detect leaks and monitor filter status. The RFID technology is certified by the FCC.



FCCID: ZKJ-EBX1532P001 ICID: 10229A-EBX1532P001

*"This device complies with part 15 of the FCC Rules. Operation is subject to the following two conditions: (1) This device may not cause harmful interference, and (2) this device must accept any interference received, including interference that may cause undesired operation."*

*"This device complies with Industry Canada licence-exempt RSS standard(s). Operation is subject to the following two conditions: (1) this device may not cause interference, and (2) this device must accept any interference, including interference that may cause undesired operation of the device."*

## When to replace the filter cartridge

The filter cartridge should be replaced every six months or earlier if 170 gallons of water has been dispensed or the flow of water to the dispenser or icemaker decreases.

**Touch Screen Models:** A filter status message will appear on the screen when the water filter needs to be replaced. The filter status will automatically update when the filter is replaced.

**Non-touch Screen Models:** A filter indicator light will illuminate on the screen when the water filter needs to be replaced.

## Removing the filter cartridge

To replace the filter, first remove the old cartridge by opening the filter door and pulling on the bottom of the cartridge to allow it to swing outward. When the cartridge can no longer swing, gently pull to unseat it from the cartridge holder. **DO NOT TWIST CARTRIDGE.** A small amount of water may drip out.

## Installing the Filter Cartridge

1. Align top of filter cartridge with cartridge holder with the word "FRONT" facing outward then push the cartridge toward the rear of the unit until it is fully seated. **DO NOT TWIST THE FILTER CARTRIDGE!**
2. While continuing to ensure cartridge is fully seated in the holder, gently swing the filter inward until it is in position. If filter will not swing easily, check to ensure filter is properly aligned and fully seated within the cartridge holder. Close the filter door.

3. Run two gallons of water through the cold water dispenser (about 5 minutes) to remove air from the system. **A newly installed filter cartridge will cause water to spurt from the dispenser.** Use a large pitcher or sports bottle to catch the water spray. **DO NOT** use hands-free auto-fill (some models) until all air is removed from the system.
4. Reset Filter Status message (non-touch screen models).

**WARNING**  **Scalding Hazard.\***

Use of the hot water dispenser prior to purging air from the system may result in spurting of hot water and lead to hot water scalding. Follow the instructions above to purge all air from the system through the cold water dispenser prior to using the hot water dispenser.

Note: It is normal for water to appear discolored during the initial system flush. Water color will return to normal after first few minutes of dispensing.

## Filter Bypass Plug

To reduce the risk of property damage due to water leakage, you **MUST** use the filter bypass plug when a replacement filter cartridge is not available. The dispenser and icemaker will not operate without either the filter or bypass plug installed. The bypass plug is installed in the same way as a filter cartridge.

\*Select Models Only

## **WARNING**

**To reduce the risk associated with choking, do not allow children under 3 years of age to have access to small parts during the installation of this product.** The disposable filter cartridge should be replaced every 6 months at the rated capacity, or sooner if a noticeable reduction in flow rate occurs.

For the maximum benefit of your filtration system, GE recommends the use of GE-branded filters only. Using GE-branded filters in GE and Hotpoint® refrigerators provides optimal performance and reliability. GE filters meet rigorous industry NSF standards for safety and quality that are important for products that are filtering your water. GE has not qualified non-GE-branded filters for use in GE and Hotpoint refrigerators and there is no assurance that non-GE-branded filters meet GE's standards for quality, performance and reliability.

**If you have questions, or to order additional filter cartridges, visit our website at [www.geapplianceparts.com](http://www.geapplianceparts.com) or call GE Parts and Accessories, 800.626.2002.**

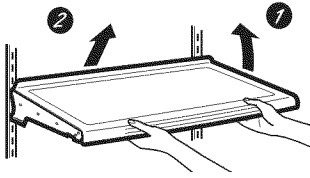
Customers in Canada should consult the yellow pages for the nearest Camco Service Center.

## About the fresh food storage options.

---

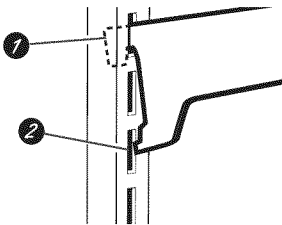
### Rearranging the Shelves

Shelves in the refrigerator compartment are adjustable.



#### To remove:

- 1 Remove all items from the shelf.
- 2 Tilt the shelf up at the front.
- 3 Lift the shelf up at the back and bring the shelf out.



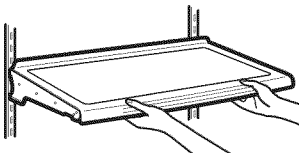
#### To replace:

- 1 While tilting the shelf up, insert the top hook at the back of the shelf in a slot on the track.
- 2 Lower the front of the shelf until the bottom of the shelf locks into place.

---

### Spillproof Shelves

Spillproof shelves have special edges to help prevent spills from dripping to lower shelves.



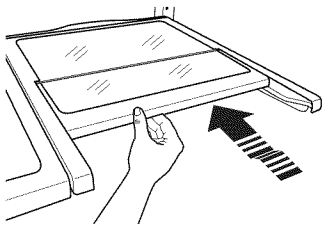
---

### Quick Space Shelf \*

This shelf splits in half and slides under itself for storage of tall items on the shelf below.

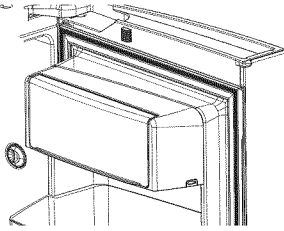
This shelf can be removed and replaced or relocated (just like spillproof shelves).

**NOTE:** The location of the upper Quick Space Shelf is not adjustable.



\*Select Models Only

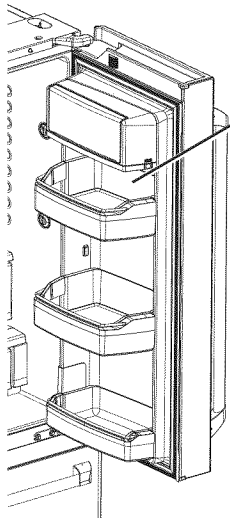
## About the fresh food storage options.



### **Non-Adjustable Dairy Bin\***

To remove: Lift the dairy bin straight up, then pull out.

To replace: Engage the bin in the molded door supports and push down. The bin will lock in place. See page 33.



### **Adjustable Bins on the Door**

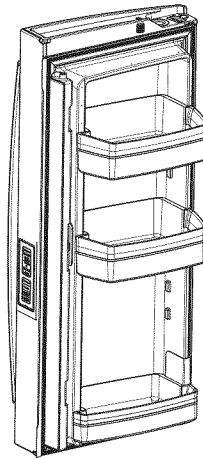
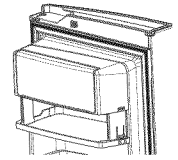
Adjustable bins can easily be carried from refrigerator to work area.

**To remove:** Lift bin straight up, then pull out.

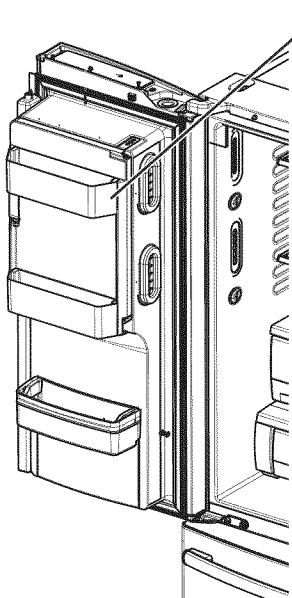
**To replace or relocate:** Slide in the bin just above the molded door supports, and push down. The bin will lock in place. See page 33.

### **Drop down tray\* (tray open)**

1. Open right fresh food door
2. Depress both buttons on lower sides of bin and bin will drop down.
3. Reverse to reinstall.



### **Non-Dispense Models (Left Hand Door)**



### **Non-Adjustable Bins on the Door (Dispenser Models - Left Hand Door)**

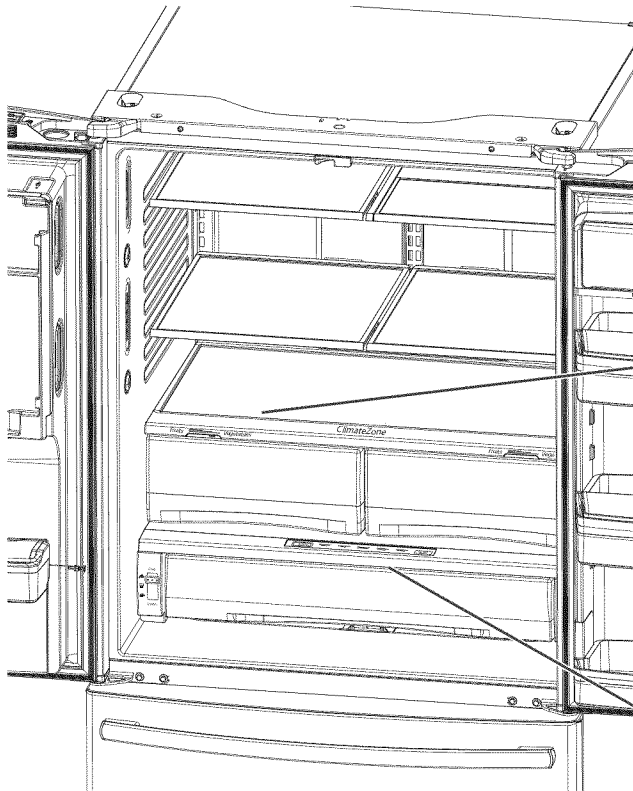
**To remove:** Lift the bin straight up, then pull out.

**To replace:** Engage the bin in the molded supports on the door and push down. It will lock in place.

The ice maker door bins are not interchangeable, note the location upon removal and replace the bin in its proper location.

\*Select Models Only

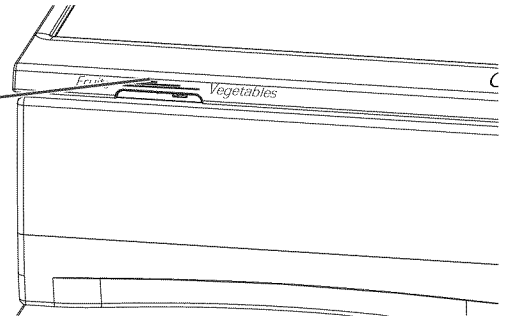
# About the climate zone and temperature controlled drawer.



## ClimateZone

Keep fruits and vegetables organized in separate compartments for easy access.

Excess water that may accumulate in the bottom of the drawers or under the drawers should be wiped dry.

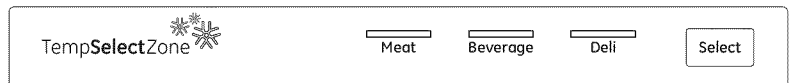


## Temperature Controlled Drawer\*

The Temperature Controlled Drawer is a full-width drawer with adjustable temperature control. This drawer can be used for large miscellaneous items.

To change setting, press select button.

**Note:** Temperatures indicate the appropriate temperatures for the food and actual temperatures may vary based on normal operation and other factors such as door openings and fresh food set point.



32°

34°

38°

### **CAUTION**

#### **Laceration Hazard.**

Do not store glass bottles at this setting. If they are frozen, they can break and result in personal injury.

\*Select Models Only

## About the climate zone and temperature controlled drawer.

---

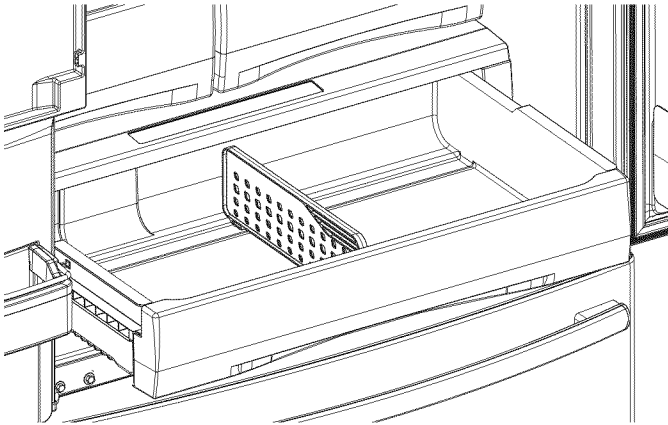
### How to Remove and Replace the Adjustable Deli/Produce Drawer

#### To remove:

- 1 Pull the drawer out to the stop position.
- 2 Lift the front of the drawer up and out.

#### To replace:

- 1 Pull left and right slides until fully extended.
- 2 Place drawer back in first and rotate drawer front down to seat on slide.
- 3 Push the drawer in to closed position.



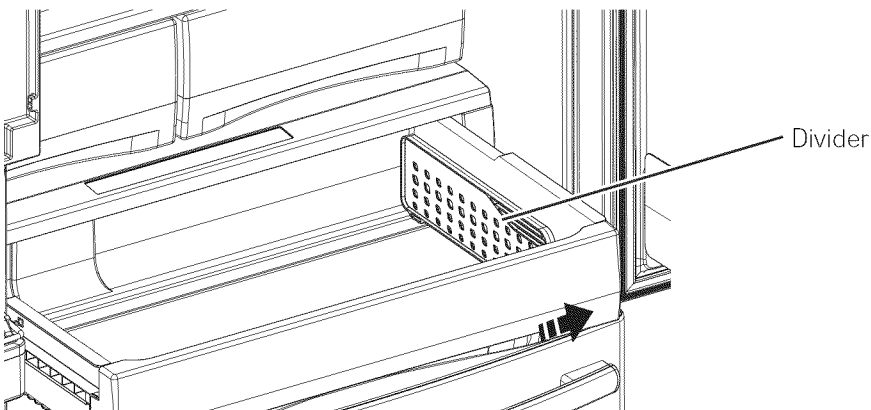
### How to Remove and Replace Drawer Divider\*

#### To remove:

- 1 Pull the drawer out to the stop position.
- 2 Raise the front side of the divider to unhook it from the rear wall of the drawer.

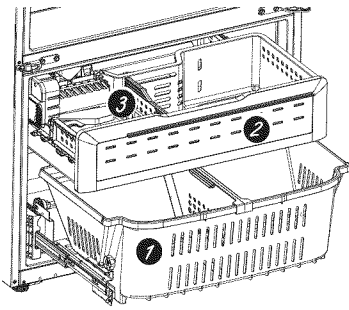
#### To replace:

- 1 Hook the back of the divider over the rear wall of the drawer.
- 2 Push the divider down.



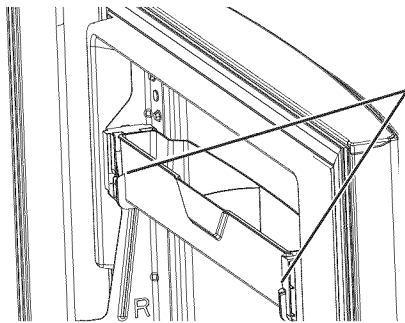
\*Select Models Only





## Freezer Basket and Drawer

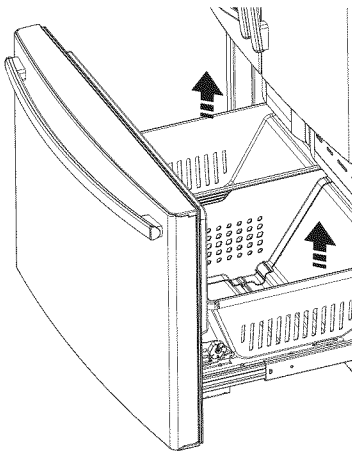
- 1 Basket.
- 2 Drawer
- 3 Ice Bucket \*



## Non-Adjustable Bin in the Freezer\*

**To remove:** push in plastic tab on either left or right side

**To replace:** slide bin into location until it locks into place.



## Basket Removal

**To remove, Standard Depth models only:**

- 1 Open freezer door to the stop position.
- 2 Remove freezer door bin by pushing plastic tab on either left or right side to release bin hinge pin.
- 3 Remove freezer basket by lifting up the rear of the basket and moving basket rearward until the front of the basket can be rotated upward and out.
- 4 Lift it out to remove.

**To remove, PVE and PWE models only:**

- 1 Open fresh food doors.
- 2 Open freezer door to the stop position.
- 3 Remove freezer basket by lifting up the rear of the basket and rotate it upward.
- 4 Lift it out to remove.

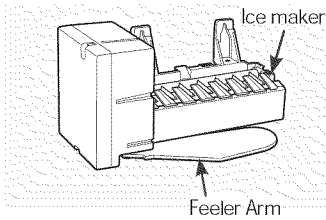
**To replace:**

Reverse step 1 thru 4 to replace.

\*Select Models Only

# About the automatic ice maker.

A newly installed refrigerator may take 12 to 24 hours to begin making ice.



## Automatic Ice Maker\*

The ice maker will produce seven cubes per cycle approximately 100–130 cubes in a 24-hour period, depending on freezer compartment temperature, room temperature, number of door openings and other use conditions.

The ice maker will fill with water when it cools to 15°F (-10°C). A newly installed refrigerator may take 12 to 24 hours to begin making ice cubes.

If the refrigerator is operated before the water line connection is made to the unit or if the water supply to an operating refrigerator is turned off, make sure that the ice maker is turned off. Once the water has been connected to the refrigerator, the ice maker may be turned on. See the table below for details.

You may hear a buzzing sound each time the ice maker fills with water.

Throw away the first few batches of ice to allow the water line to clear.

Be sure nothing interferes with the sweep of the feeler arm.

When the bin fills to the level of the feeler arm, the ice maker will stop producing ice. It is normal for several cubes to be joined together.

If ice is not used frequently, old ice cubes will become cloudy, taste stale and shrink.

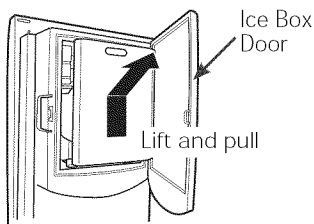
**NOTE:** In homes with lower-than-average water pressure, you may hear the ice maker cycle multiple times when making one batch of ice.

## **⚠ WARNING**

To minimize the risk of personal injury, avoid contact with the moving parts of the ejector mechanism, or with the heating element that releases the cubes. Do not place fingers or hands on the automatic ice making mechanism while the refrigerator is plugged in.

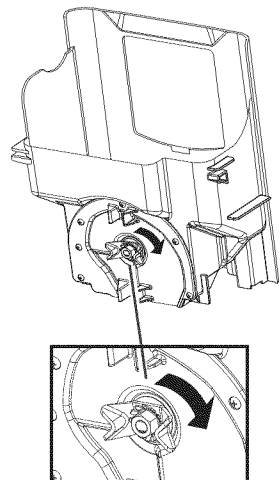
## How to Turn the Ice Maker On/Off

| Display Type (See Page 6) | Model #                | How to turn the ice maker on/off          |
|---------------------------|------------------------|---|
| Control Style A           | PFE28, PYE22P          | Use the settings menu on the touchscreen  |
| Control Style B           | GFE28/26, DFE28, GYE22 | Use the "ICE MAKER" button on the control |
| Control Style C           | GNE29, PWE23           | Use the "ICE MAKER" button on the control |



## Ice Bucket and Dispenser\*

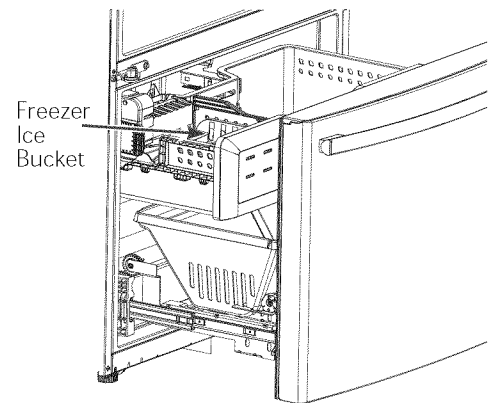
- Open the ice box door on inside of the left door.
- Pull up and out on on the ice bucket in the left hand door to remove it from the compartment.
- To replace the ice bucket, set it on the guide brackets and push until the ice bucket seats properly.
- If bucket cannot be replaced, rotate the ice bucket fork 1/4 turn clockwise.



## Extra Ice Storage\*

There is additional ice storage in the freezer compartment drawer.

- Open the freezer drawer.
- The ice bucket is located on the left side of the upper basket.
- Pull the upper basket forward to remove the ice bucket.



\*Select Models Only

---

## Cleaning the Outside

### The stainless steel panels, door handles and trim.

The stainless steel doors and door handles (on some models) can be cleaned with a commercially available stainless steel cleaner. Cleaners with oxalic acid such as Bar Keepers Friend Soft Cleanser™ will remove surface rust, tarnish and small blemishes. Use only a liquid cleanser free of grit and rub in the direction of the brush lines with a damp soft sponge. Do not use appliance wax or polish on the stainless steel.

### Silver-accented plastic parts.

Wash parts with soap or other mild detergents. Wipe clean with a sponge, damp cloth or paper towel.

Do not use scouring pads, powdered cleaners, bleach or cleaners containing bleach because these products can scratch and weaken the paint finish.

**Should spill tray need cleaning use lime remover.**

---

## Cleaning the Inside

**To help prevent odors,** leave an open box of baking soda in the refrigerator and freezer compartments.

### Unplug the refrigerator before cleaning.

If this is not practical, wring excess moisture out of sponge or cloth when cleaning around switches, lights or controls.

Use an appliance wax polish on the inside surface between the doors.

Use warm water and baking soda solution—about a tablespoon (15 ml) of baking soda to a quart (1 liter) of water.

This both cleans and neutralizes odors.

Rinse and wipe dry.

### CAUTION

Do not clean glass shelves or covers with warm water when they are cold. Glass shelves and covers may break if exposed to sudden temperature changes or impact such as bumping or dropping. Tempered glass is designed to shatter into many small pieces if it breaks.

Do not wash any plastic refrigerator parts in the dishwasher.

---

## Behind the Refrigerator

Be careful when moving the refrigerator away from the wall. All types of floor coverings can be damaged, particularly cushioned coverings and those with embossed surfaces.

Raise the leveling legs located at the bottom front of the refrigerator.

Pull the refrigerator straight out and return it to position by pushing it straight in. Moving the refrigerator in a side direction may result in damage to the floor covering or refrigerator.

Lower the leveling legs until they touch the floor.

**When pushing the refrigerator back, make sure you don't roll over the power cord or water supply line.**

---

## Preparing for Vacation

For long vacations or absences, remove food and unplug the refrigerator. Clean the interior with a baking soda solution of one tablespoon (15 ml) of baking soda to one quart (1 liter) of water. Leave the doors open.

**LCD Models:** turn refrigerator off at control (pg 7) .

If the temperature can drop below freezing, have a qualified service technician drain the water supply system to prevent serious property damage due to flooding.

1) Turn refrigerator off (pg. 7) or unplug the refrigerator.

2) Empty ice bucket

3) Turn water supply off

**If you cut the water supply off, turn off the ice maker (pg. 18).**

Upon returning from vacation:

1) Replace the water filter.

2) Run 2 gallons of water through the cold water dispenser (about 5 minutes) to flush the system.

---

## Preparing to Move

Secure all loose items such as shelves and drawers by taping them securely in place to prevent damage.

When using a hand truck to move the refrigerator, do not rest the front or back of the refrigerator against the hand truck. This could damage the refrigerator.

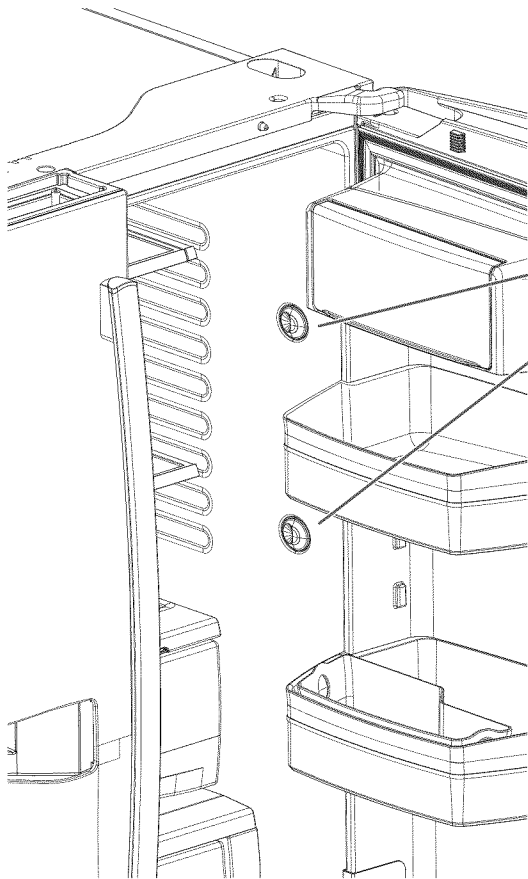
Handle only from the sides of the refrigerator.

*Be sure the refrigerator stays in an upright position during moving.*

# Replacing the lights.

---

## Refrigerator Lights (LEDs)



There is LED lighting in fresh food compartment and on the bottom of the fresh food doors to light the freezer compartment.\*

An authorized technician will need to replace the LED light.

If this assembly needs to be replaced, call GE Service at 1.800.432.2737 in the United States or 1.800.561.3344 in Canada.

\*Select Models Only

# Installation Instructions


# Refrigerator

GE and GE Profile™ models

Questions? Call 800.GE.CARES (800.432.2737) or visit our Website at: [GEAppliances.com](http://GEAppliances.com)  
In Canada, call 1.800.561.3344 or visit our Website at: [www.GEAppliances.ca](http://www.GEAppliances.ca)

## BEFORE YOU BEGIN

Read these instructions completely and carefully.

**WARNING**  **Tip Over Hazard.**  
Built-in style models (model PYE, CYE, GYE, PWE, CWE, and ZWE) are top heavy, especially with any doors open. These models must be secured with the anti-tip floor bracket to prevent tipping forward, which could result in death or serious injury. Read and follow the entire installation instructions for installing the anti-tip floor bracket packed with your refrigerator.

- **IMPORTANT** – Observe all governing codes and ordinances. Save these instructions for local inspector's use.
- Note to Installer – Be sure to leave these instructions with the Consumer.
- Note to Consumer – Keep these instructions for future reference.
- Skill level – Installation of this appliance requires basic mechanical skills.
- Completion time – Refrigerator Installation can vary  
Water Line Installation 30 minutes
- Proper installation is the responsibility of the installer.
- Product failure due to improper installation is not covered under the Warranty.

## PREPARATION

### MOVING THE REFRIGERATOR INDOORS

If the refrigerator will not fit through a doorway, the refrigerator door and freezer drawer can be removed.

- To remove the refrigerator door, see the Installing the Refrigerator section.
- To remove the freezer drawer, see the Removing the Freezer Drawer section.

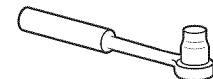
### WATER SUPPLY TO THE ICE MAKER AND DISPENSER

If the refrigerator has an ice maker, it will have to be connected to a cold water line. A GE water supply kit (containing tubing, shutoff valve, fittings and instructions) is available at extra cost from your dealer, by visiting our website at [GEAppliances.com](http://GEAppliances.com) (in Canada at [www.GEAppliances.ca](http://www.GEAppliances.ca)) or from Parts and Accessories, 800.626.2002 (in Canada 1.800.661.1616).

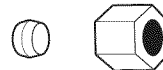
## TOOLS YOU MAY NEED



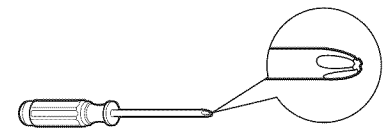
Adjustable Wrench



3/8" Socket Ratchet/Driver



1/4" Outer Diameter  
Compression Nut  
and Ferrule (sleeve)



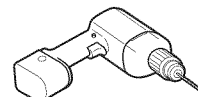
Phillips-Head Screwdriver



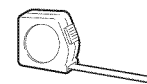
1/8", 3/32", 1/4" & 5/32"  
Allen Wrenches



Flat-Head Screwdriver



1/8" Drill Bit and  
Electric or Hand Drill



Tape Measure



Pencil



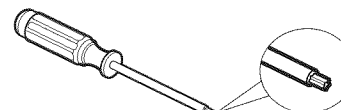
1/4" Nut Driver  
5/16" Nut Driver



Pliers



Level

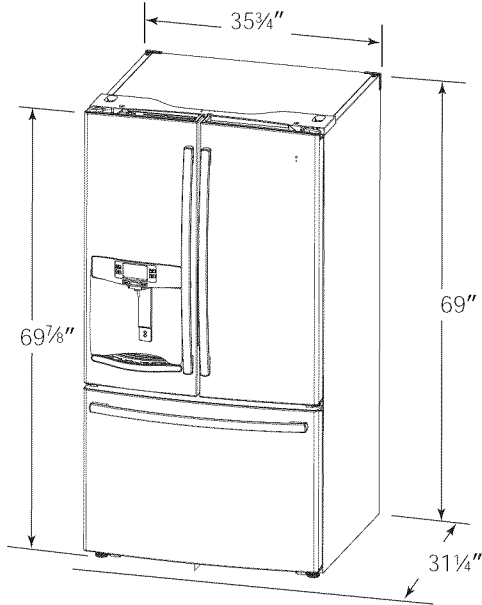


Torx T20, T25

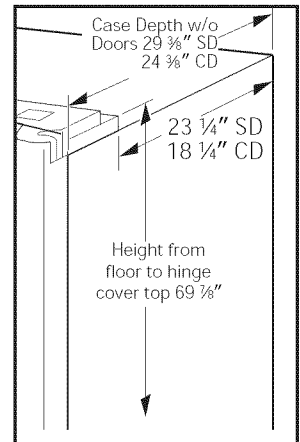
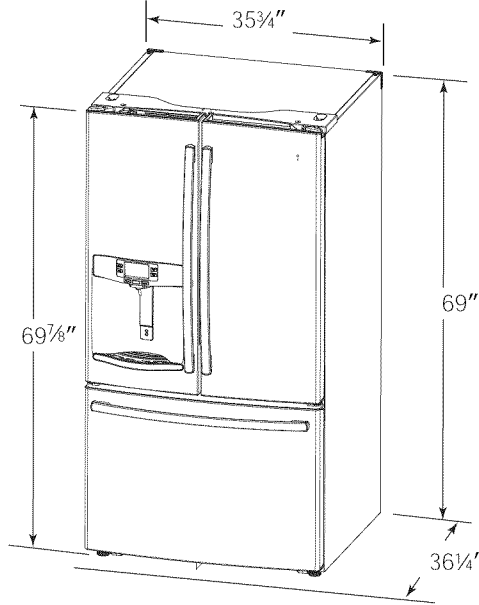
# Installation Instructions

## DIMENSIONS All measurements are given with leveling leg fully retracted.

Counter Depth (CD) Models Only



Standard Depth (SD) Models Only



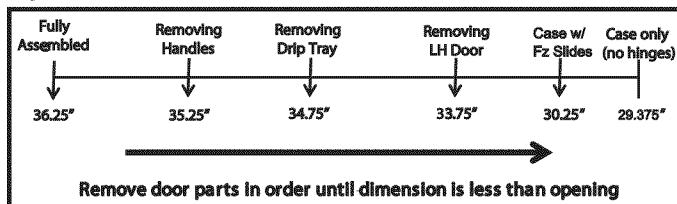
Additional Dimensions

|   | SD                               | CD                               |
|---|----------------------------------|----------------------------------|
| Overall Height to Top of Hinge Cover              | 69 <sup>7</sup> / <sub>8</sub> " | 69 <sup>7</sup> / <sub>8</sub> " |
| Height to Top of Cabinet                          | 69"                              | 69"                              |
| Case Depth without Doors                          | 29 <sup>3</sup> / <sub>8</sub> " | 24 <sup>3</sup> / <sub>8</sub> " |
| Overall Exterior Case Width                       | 35 <sup>3</sup> / <sub>4</sub> " | 35 <sup>3</sup> / <sub>4</sub> " |
| Overall Exterior Depth Doors/Drawers with Handles | 36 <sup>1</sup> / <sub>4</sub> " | 31 <sup>1</sup> / <sub>4</sub> " |

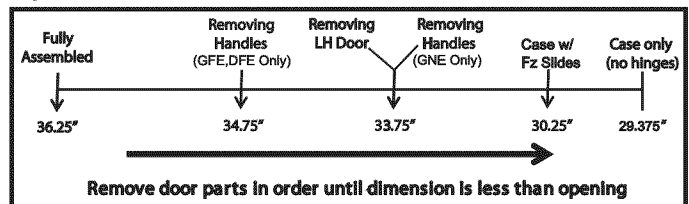
## Moving THE REFRIGERATOR

- Using the chart below determine if the width of your passageway can accommodate the depth of the refrigerator. Ensure you have clearance to prevent damage to the refrigerator before safely moving it to the final location.
- If passageways are large enough to accommodate the refrigerator without removing the handles skip to Step 6. Leave tape, film and all packaging on doors until the refrigerator is in the final location.
- NOTE:** Use a padded hand truck or moving straps to move this refrigerator. Place the refrigerator on the hand truck with a side against the truck. We strongly recommend that two people move and complete this installation.

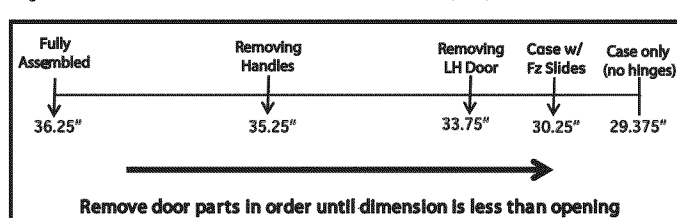
If your model number starts with PFE (SD)



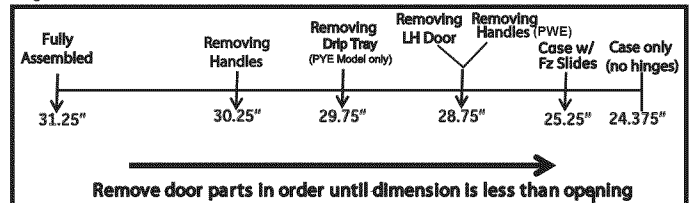
If your model number starts with GFE, DFE, GNE (SD)



If your model number starts with CFE (SD)



If your model number starts with CYE, PYE, PWE (CD)



# Installation Instructions

## INSTALLING THE REFRIGERATOR

### REFRIGERATOR LOCATION

- Do not install the refrigerator where the temperature will go below 60°F (16°C) because it will not run often enough to maintain proper temperatures.
- Do not install the refrigerator where the temperature will go above 100°F (37°C) because it will not perform properly.
- Do not install the refrigerator in a location exposed to water (rain, etc.) or direct sunlight.
- Install it on a floor strong enough to support it fully loaded.

### CLEARANCES

Allow the following clearances for ease of installation, proper air circulation and plumbing and electrical connections.

|       |                                |
|-------|--------------------------------|
| Sides | 1/8" (3 mm)                    |
| Top   | 1" (25 mm) Cabinet/Hinge Cover |
| Back  | 2" (50 mm)                     |

### REMOVING THE REFRIGERATOR DOORS

- **IMPORTANT NOTE:** This refrigerator is 36<sup>1</sup>/<sub>4</sub>" deep (31<sup>1</sup>/<sub>4</sub>" for CD models). Doors and passageways leading to the installation location must be at least 36<sup>1</sup>/<sub>4</sub>" wide in order to leave the doors and handles attached to the refrigerator while transporting it into the installation location. If passageways are less than 36<sup>1</sup>/<sub>4</sub>", the refrigerator doors and handles can easily be scratched and damaged. The top cap and doors can be removed to allow the refrigerator to be safely moved indoors. If passageways are less than 31<sup>1</sup>/<sub>4</sub>", start with Step 1.
- If it is not necessary to remove doors, skip to Step 11. Leave tape and all packaging on doors until the refrigerator is in the final location.
- **NOTE:** Use a padded hand truck to move this refrigerator. Place the refrigerator on the hand truck with a side against the truck. We strongly recommend that **TWO PEOPLE** move and complete this installation.

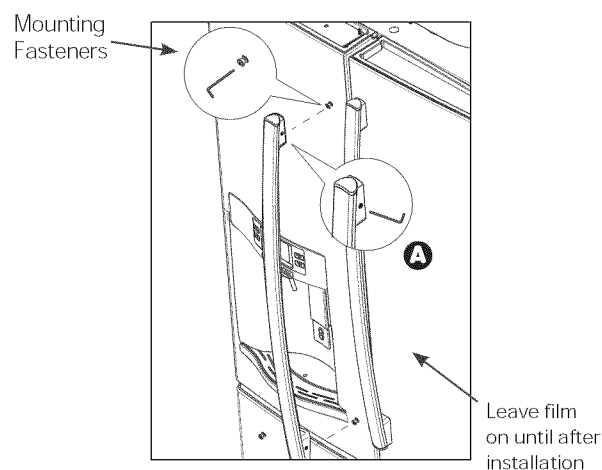
### 1 REMOVE THE FRESH FOOD DOOR HANDLE

Handle Design varies based on models, however Installation is same.

Stainless steel and plastic handles:

- **A** Loosen the set screws with the 1/8" Allen wrench and remove the handle.

**NOTE:** If the handle mounting fasteners need to be tightened or removed, use a 1/4" Allen wrench.



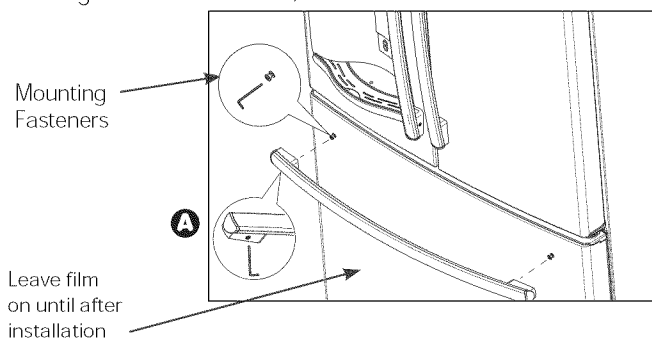
### 2 REMOVE THE FREEZER DOOR HANDLE

Handle Design varies based on models, however Installation is same.

Stainless steel and plastic handles:

- **A** Loosen the set screws with the 1/8" Allen wrench and remove the handle.

**NOTE:** If the handle mounting fasteners need to be tightened or removed, use a 1/4" Allen wrench.



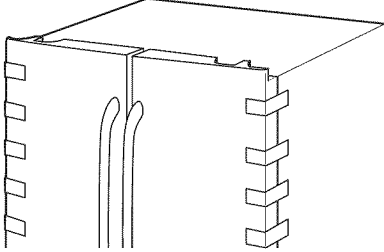
Reinstall the handles using the same procedure as removing.

# Installation Instructions

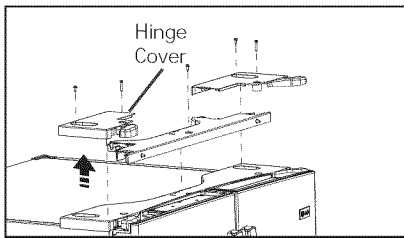
## INSTALLING THE REFRIGERATOR (cont.)

### 3 REMOVE THE REFRIGERATOR DOORS

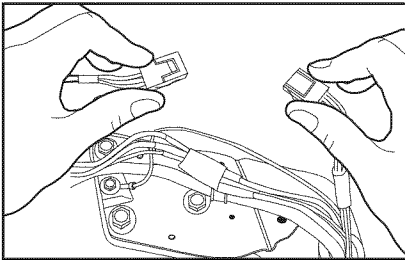
- A** Securely tape the door shut with masking tape or have a second person support the door.



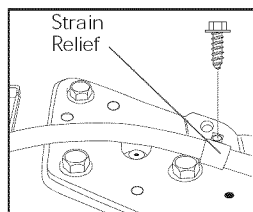
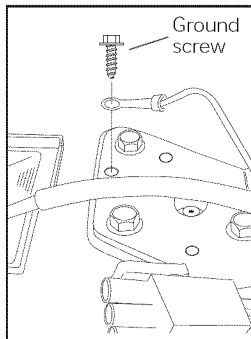
- B** Start with left-hand door first: Remove the hinge cover on top of the left refrigerator door by removing all hex screws and pulling it up. Do the same for the right-hand door and the middle cover.



- C** Disconnect both electrical connectors at the top cover.



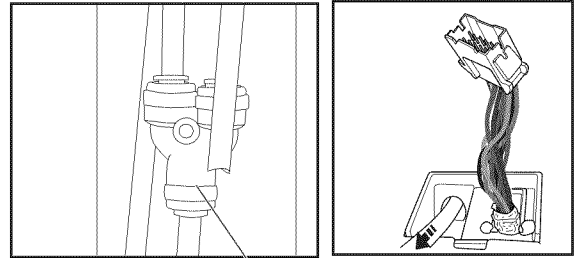
Remove the 1/4" hex head screw to disconnect the ground wire from the hinge.  
Remove the 1/4" hex head screw to remove the strain relief from the water line.



### 3 REMOVE THE REFRIGERATOR DOORS (cont)

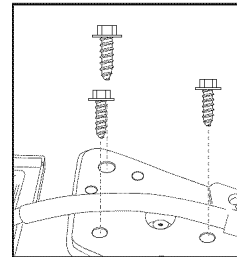
- D** Disconnect the water line from the back of the unit by pressing down on the dark grey collar while pulling up on the water line.

Pull water line through case conduit from the top to free the line for door removal. The water line is more than 4' long and may need to be taped to Door for accessibility when reinstalling.



Y or Straight Connector

- E** Using a 3/8" socket ratchet/driver, remove the screws securing the top hinge to the cabinet, then lift the hinge straight up to free the hinge pin from the location in the top of the door.



### **CAUTION** Lifting Hazard.

**Single person lift could cause injury. Use assistance when handling, moving or lifting the refrigerator doors.**

Note: when removing door, to prevent damage to door and electronics, carefully place the door in a proper location.

Note: The lower door hinge pin and hinge are keyed and must be matched correctly for the door to self close properly. Please follow the directions carefully.



# Installation Instructions

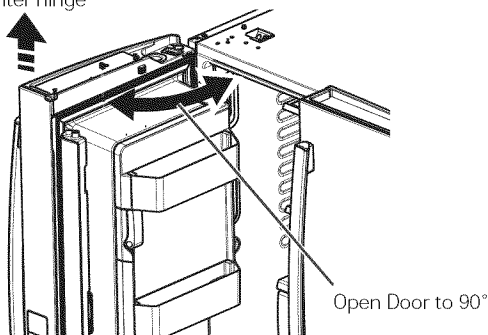
## INSTALLING THE REFRIGERATOR (cont.)

### REMOVE THE REFRIGERATOR DOORS (cont)

Note: for proper installation later, please follow the next step carefully.

- F** Remove the tape and keeping the door as straight as possible, open the door to 90° then lift straight up to remove it.

Lift up & off center hinge



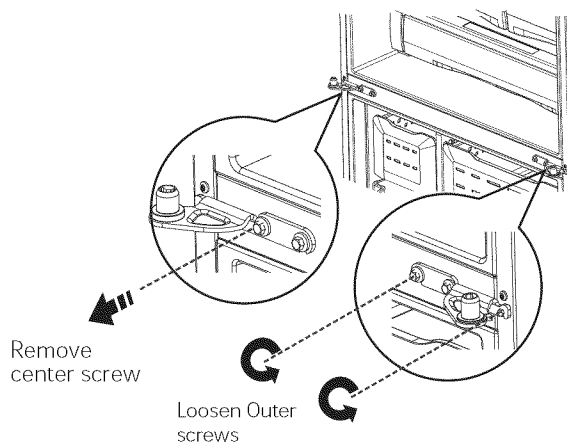
### REMOVE OPPOSITE DOOR

Follow the same procedure on the opposite door. There are no wires or water lines on the opposite side

### 4 REMOVE CENTER HINGE (if necessary)

Remove the 3/8" screws securing the center hinge to the cabinet.

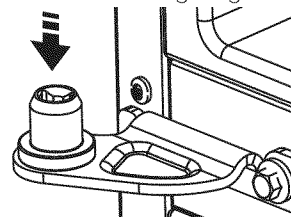
Use T20 driver to remove outboard screw



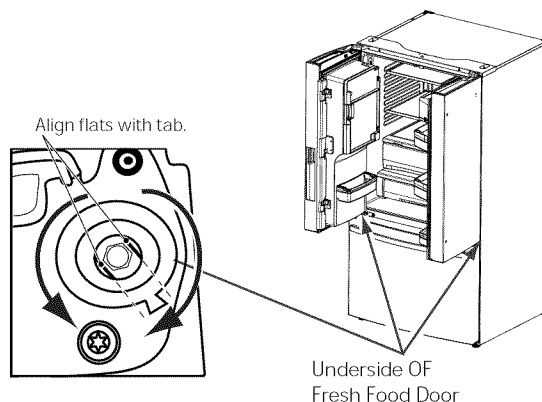
### 5 REINSTALLING THE REFRIGERATOR DOORS

Reverse steps 1 through 4 to reinstall refrigerator, follow details below for critical alignments.

- A** Reinstall center hinge first and torque the screws to 65 in-lbs. With the LH door at 90° to the front of the case, lower the refrigerator door onto the center hinge. Ensure that the door and hinge align correctly.



- B** Rotate doors closed and make sure moveable center sealing portion of the door aligns with the striker. *If the door will not self-close after reinstalling, remove door, turn door upside down, check alignment mark and arrow; (there is an alignment mark on the door closure mechanism. It corresponds to an alignment arrow on the plastic ring, Rotate door closure mechanism to align mark and arrow, reinstall door).*



If door cannot be installed at 90° follow steps below:

1. Install door at 180° to case front.
2. If space limits opening door to less than 180°, then:
  - a) Remove door, carefully turn door upside down.
  - b) Check alignment of door closure mechanism shaft on underside of door. The flats on the shaft should correspond to alignment tab on plastic ring or mark on bottom end cap.
  - c) If shaft is not aligned to tab/mark, using 5/32" Allen wrench, rotate door closure mechanism shaft counterclockwise for right door and clockwise for left door. Then align flat with tab/mark.
  - d) Install the door at 90°.

Securely tape the door shut with masking tape or have a second person support the door. Reinstall the top hinge and torque the screws to 65 in-lbs.

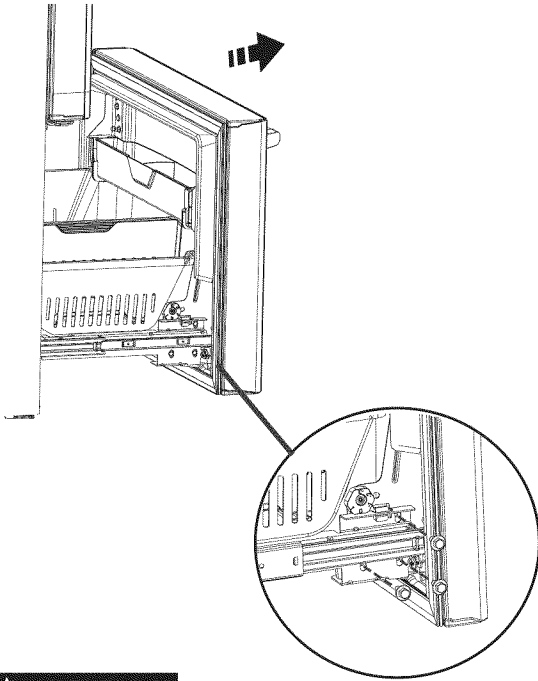
- C** Be sure to reinstall the ground wire and strain relief to the top hinge.
- D** Reinstall hinge cover. **NOTE:** Ensure wires are not pinched or under screw bosses before tightening screws.

# Installation Instructions

## INSTALLING THE REFRIGERATOR (cont.)

### 6 REMOVE THE FREEZER DOOR

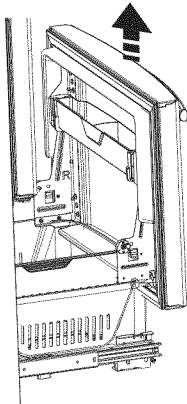
- A Pull the freezer door open to full extension.
- B Remove 3 attachment screws, located at the bottom on each side of the freezer door using 3/8" hex socket driver.



#### **CAUTION** Lifting Hazard

Freezer door is heavy Use both hands to secure the door before lifting.

- C Lift the freezer door to disengage it from the slide mechanism

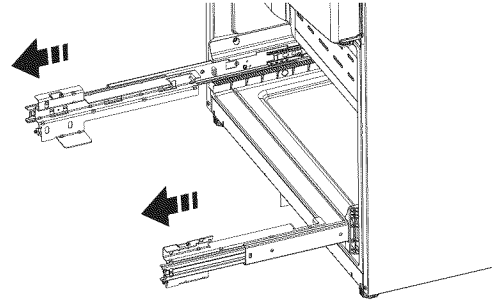


The door can safely rest on the bottom. Do not rest the door on any other surfaces to avoid scratches.

Push the slide mechanism back completely until it self retracts.

### 7 REPLACING THE FREEZER DOOR

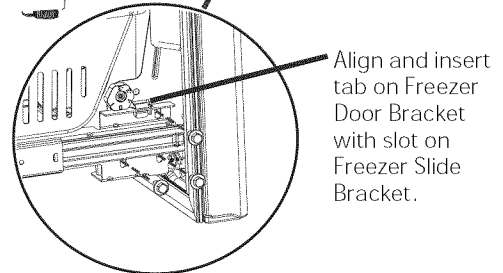
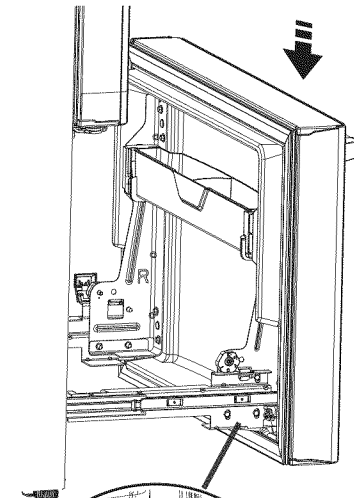
- A Pull the slide Mechanism to full extension using both hands simultaneously.
- B Remove the basket resting on the slides.



#### **CAUTION** Lifting Hazard

Freezer door is heavy Use both hands to secure the door before lifting.

- C Lift the freezer door and place it on the slide mechanism



- D Replace the attachment screws and torque the screws to 65 in-lb
- E For adjusting freezer door gaps, follow the instructions on pg 27.
- F Replace the basket

# Installation Instructions

## INSTALLING THE REFRIGERATOR (cont.)

### Instructions for adjusting freezer door gaps:

#### IMPORTANT!

The 6 mounting screws (3 on each side) are NOT interchangeable with the center or top hinge screws. Drawer screws have flat washer heads, and other screws have lines/ribs on washer heads.

After installation of the freezer door, check for uniform gaps (top and bottom of right and left hand side) with the template provided.

In the event of excessive gaps use the following steps to adjust the freezer door.

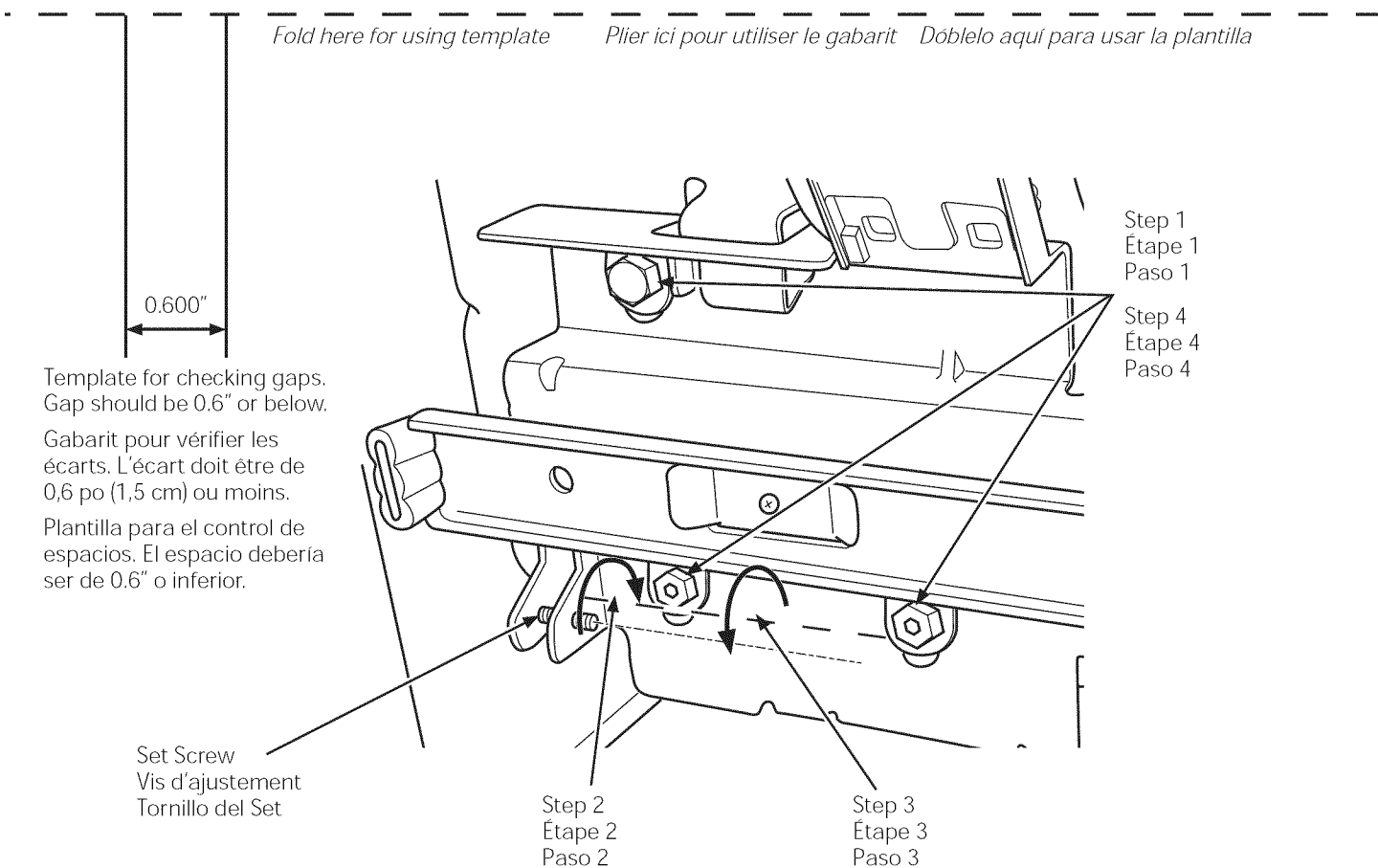
**Step 1** - Loosen the 3 screws on each side (right and left) of the freezer door.

**Step 2** - Adjust set screw clockwise if gap at the top is too big (see template). Turn the set screw using 3/32" hex key clockwise by quarter to half a rotation

**Step 3** - Adjust set screw counter-clockwise if gap at the bottom is too big (see template). Turn the set screw using 3/32" hex key counter-clockwise by quarter to half a rotation

**Step 4** - Tighten the 3 screws on each side (right and left).

**Step 5** - Re-check the gaps using the template and repeat steps 1 to 4 if required and complete with step 5.

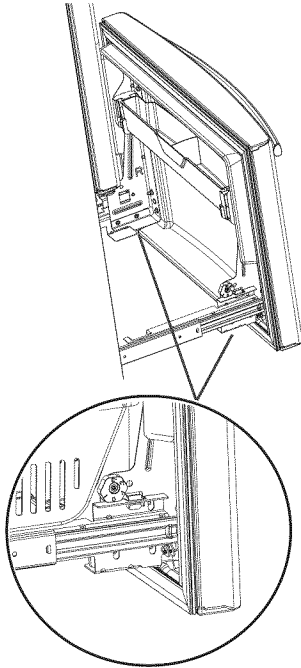


Refer to 239D4144P001, Pub No. 31-45474-2

# Installation Instructions

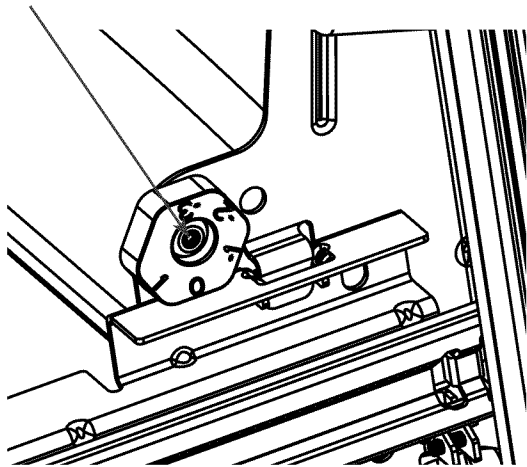
## INSTALLING THE REFRIGERATOR (cont.)

### 8 LEVEL THE FREEZER DOOR



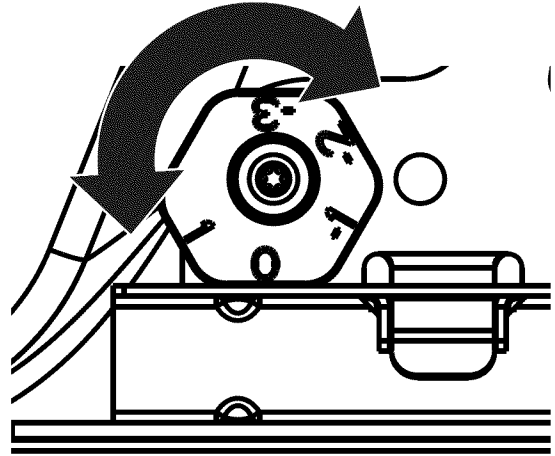
**A** Locate the height adjuster cam in the freezer door. Slightly loosen the three door attachment screws on both sides using a 3/8" hex socket driver.

**B** Locate and loosen the cam screw using the T-27 screw driver.



### 9 LEVEL THE FREEZER DOOR (cont.)

**A** Lift the door on the side requiring adjustment, rotate the cam to required position.



- 0 - Initial position
- 1 - Lift by 0.050"
- 1 - Lower by 0.050"
- 2 - Lower by 0.100"
- 3 - Lower by 0.150"

**B** After adjustment tighten the 3 attachment screws using to 65 in-lb.

### 10 REMOVE PACKAGING

A) Remove all tape, foam and protective packing from shelves and drawers.

# Installation Instructions

# Anti-Tip Floor Bracket PYE, CYE, GYE, PWE, CWE, and ZWE Models Only

## WARNING



Tip Over Hazard.

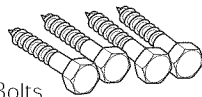


Built-in style models (model PYE, CYE, GYE, PWE, CWE, and ZWE) are top heavy, especially with any doors open. These models must be secured with the anti-tip floor bracket to prevent tipping forward, which could result in death or serious injury. Read and follow the entire installation instructions for installing the anti-tip floor bracket packed with your refrigerator.

## NOTE:

If you did not receive an anti-tip bracket with your purchase, call 1.800.626.8774 to receive one at no cost. (In Canada, call 1.800.561.3344.) For installation instructions of the bracket, visit: [www.GEAppliances.com](http://www.GEAppliances.com). (In Canada, [www.GEAppliances.ca](http://www.GEAppliances.ca).)

## MATERIALS YOU MAY NEED (not included)



Lag Bolts  
1/4" (6 mm) x 1-1/2" (38 mm)



Anchor Sleeves  
1/2" (12 mm) OD

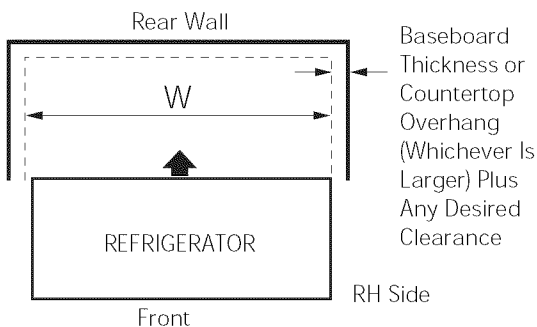
Drill Bit Appropriate for Anchors

For Anti-Tip Bracket Mounted on CONCRETE Floors Only

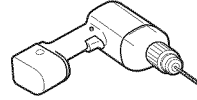
## AT-1 MEASURE CABINET OPENING AVAILABLE VS. REFRIGERATOR WIDTH

Measure width of cabinet opening where refrigerator will be placed, W.

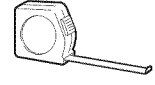
Be sure to account for any countertop overhang, baseboard thickness and any clearance desired. Width, W, should not be less than 36". The refrigerator will be placed approximately in the middle of this opening.



## TOOLS YOU WILL NEED



1/8" (3 mm) Drill Bit and  
Electric or Hand Drill



Tape measure



Pencil

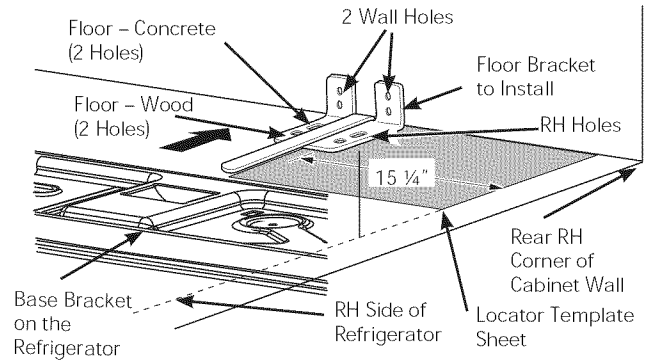


5/16" (8 mm) Nut Driver

## AT-2 LOCATING THE ANTI-TIP FLOOR BRACKET

- A** Place the anti-tip floor bracket locator template (included inside the anti-tip kit) onto the floor up against the rear wall, within W, and in line with the desired location of the RH side of the refrigerator (see Figure 1).

Figure 1 – Installation Overview



- B** Place the anti-tip floor bracket onto the locator template with its RH floor holes lined up with the floor holes indicated on the template sheet, approximately 15 1/4" from the edge of the sheet or the RH side of the refrigerator.
- C** Hold down in position and use the anti-tip floor bracket as a template for marking the holes based upon your configuration and type of construction as shown in Step 3. Mark the hole locations with a pencil, nail or awl.

## NOTE:

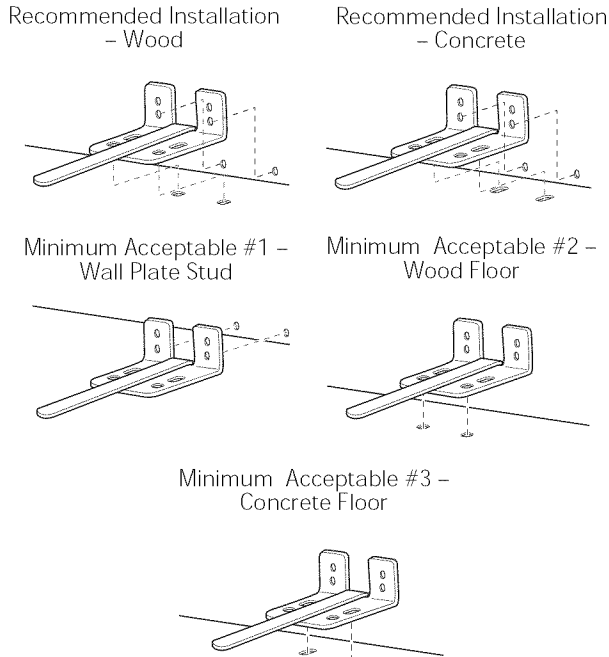
- It is REQUIRED to use at least 2 screws to mount the floor bracket (one on each side of the anti-tip floor bracket). Both must be into either the wall or the floor. Figure 2 indicates all the acceptable mounting configurations for screws. Identify the screw holes on the anti-tip floor bracket for your configuration.

Refer to 239D1142P001, Pub No. 31-45484-3

# Installation Instructions

## AT-2 LOCATING THE ANTI-TIP FLOOR BRACKET (cont.)

Figure 2 – Acceptable Screw Placement Locations



## B CONCRETE Wall and Floor Construction:

- Anchors required (not provided):  
4 each 1/4" (6 mm) x 1-1/2" (38 mm) lag bolts  
4 each 1/2" (12 mm) O.D. sleeve anchors
- Drill the recommended size holes for the anchors into the concrete at the center of the holes marked in Step 2.
- Install the sleeve anchors into the drilled holes. Place the anti-tip floor bracket as indicated in Step 2. Remove the locator template from the floor.
- Install the lag bolts through the anti-tip floor bracket and tighten appropriately.

## C WOOD Wall and TILE Floor Construction:

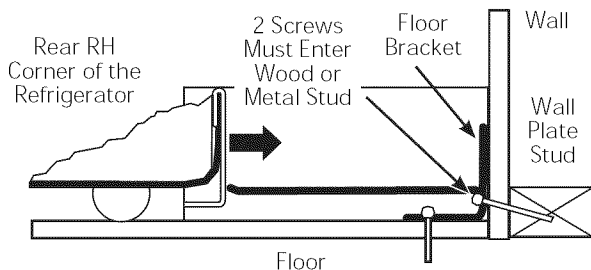
- For this special case, locate the 2 wall holes identified in Fig. 1. Drill an angled 1/8" (3 mm) pilot hole (approx. as shown in Fig. 3) in the center of each hole.
- Mount the anti-tip floor bracket using the Minimum Acceptable Installation #1, as illustrated in Fig. 2.

## AT-3 ANTI-TIP BRACKET INSTALLATION

### A WOOD Wall and Floor Construction:

- Drill the appropriate number of 1/8" (3 mm) pilot holes in the center of each floor bracket hole being used (a nail or awl may be used if a drill is not available) AND remove the locator template from the floor.
- Mount the anti-tip floor bracket by fastening the 2, or recommended 4, #10-16 hex-head screws tightly into place as illustrated in Figure 3.

Figure 3 – Attachment to Wall and Floor



## AT-4 POSITIONING THE REFRIGERATOR TO ENGAGE THE ANTI-TIP FLOOR AND BASE BRACKETS

- A** Before pushing the refrigerator into the opening, plug the power cord into the receptacle and connect waterline (if equipped). Check for leaks.
- B** Locate the refrigerator's RH side and move back approximately in line with the RH side of the cabinet opening, W. This should position the anti-tip floor bracket to engage the anti-tip base bracket on the refrigerator.
- C** Gently roll the refrigerator back into the cabinet opening until it comes to a complete stop. Check to see if the refrigerator front lines up with the cabinet front face. If not, carefully rock the refrigerator forward and backward until engagement occurs and you notice that the refrigerator is fully pushed up against the rear wall.
- D If Applicable:** Adjust the rear (and front) wheel height settings to fully engage the rear anti-tip brackets, while also aligning the refrigerator front with the cabinet front face.

### NOTE:

If you pull the refrigerator out and away from the wall for any reason, make sure the anti-tip floor bracket is engaged when the refrigerator is pushed back against the rear wall.

# Installation Instructions

## INSTALLING THE REFRIGERATOR (cont.)

### 11 CONNECTING THE REFRIGERATOR TO THE HOUSE WATER LINE

A cold water supply is required for automatic ice maker operation. If there is not a cold water supply, you will need to provide one. See Installing the Water Line section.

#### NOTES:

- Before making the connection to the refrigerator, be sure the refrigerator power cord is not plugged into the wall outlet.
- If your refrigerator does not have a water filter, we recommend installing one if your water supply has sand or particles that could clog the screen of the refrigerator's water valve. Install it in the water line near the refrigerator. If using GE SmartConnect™ Refrigerator Tubing Kit, you will need an additional tube (WX08X10002) to connect the filter. Do not cut plastic tube to install filter.
- Before connecting the water line to the house, purge the house line for at least 2 minutes.

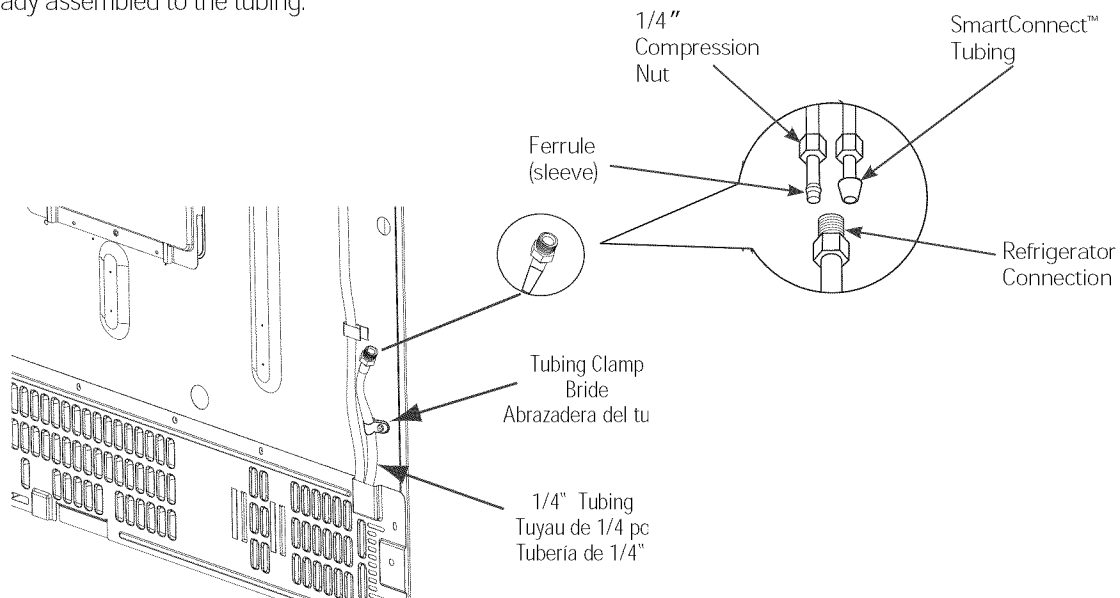
**A** If you are using copper tubing, place a compression nut and ferrule (sleeve) onto the end of the tubing coming from the house cold water supply.

If you are using the GE SmartConnect™ tubing, the nuts are already assembled to the tubing.

**B** If you are using copper tubing, insert the end of the tubing into the refrigerator connection, at the back of the refrigerator, as far as possible. While holding the tubing, tighten the fitting.

If you are using GE SmartConnect™ tubing, insert the molded end of the tubing into the refrigerator connection, at the back of the refrigerator, and tighten the compression nut until it is hand tight. Then tighten one additional turn with a wrench. Over tightening may cause leaks.

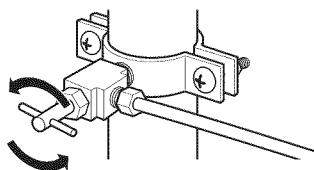
**C** Fasten the tubing into the clamp provided to hold it in position. You may need to pry open the clamp.



# Installation Instructions

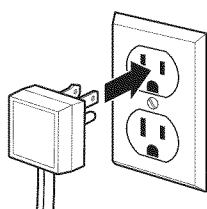
## INSTALLING THE REFRIGERATOR (cont.)

### 12 TURN ON THE WATER SUPPLY



Turn the water on at the shutoff valve (house water supply) and check for any leaks.

### 13 PLUG IN THE REFRIGERATOR



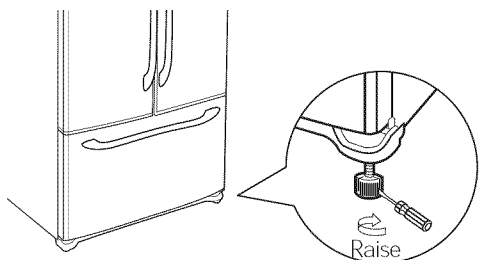
See the grounding information attached to the power cord.

### 14 LEVEL THE REFRIGERATOR

The leveling legs have 2 purposes:

- 1) Leveling legs adjust so the refrigerator is firmly positioned on the floor and does not wobble.
- 2) Leveling legs serve as a stabilizing brake to hold the refrigerator securely in position during operation and cleaning. The leveling legs also prevent the refrigerator from tipping.

- A** Turn the leveling legs clockwise to raise the refrigerator, counterclockwise to lower it.

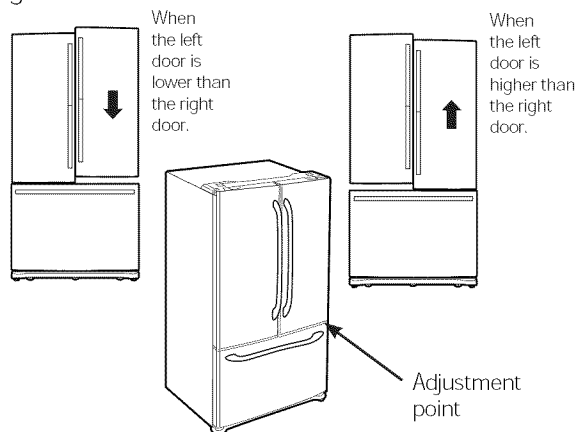


Flat-Head Screwdriver

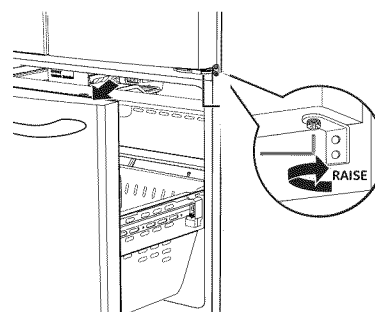
**NOTICE:** To avoid possible property damage, the leveling legs must be firmly touching the floor.

### 15 LEVEL THE REFRIGERATOR DOORS

Remember a level refrigerator is necessary for getting the doors perfectly even. If you need help, review the previous section on leveling the refrigerator.



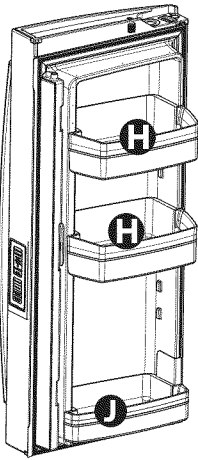
- A** If you open the freezer door, you can see the center hinge.
- B** Insert 1/4" Allen wrench into the shaft of the center hinge.
- C** Adjust the height by turning clockwise or counterclockwise. When you turn counterclockwise, the door will move up.



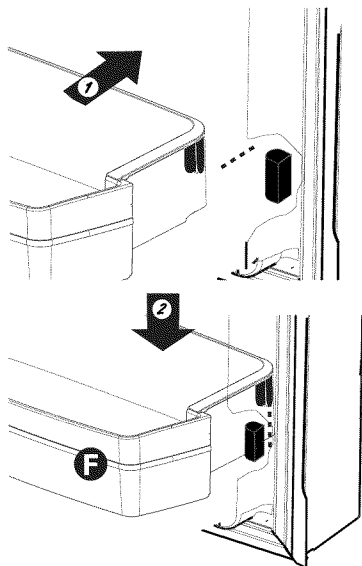
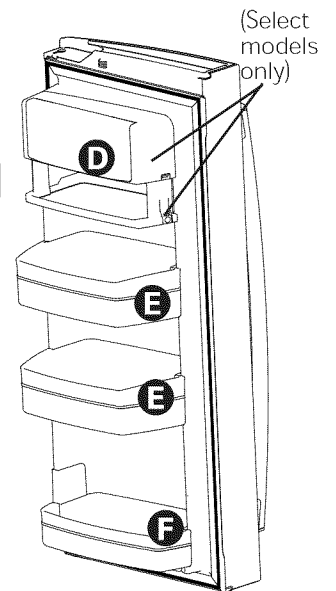
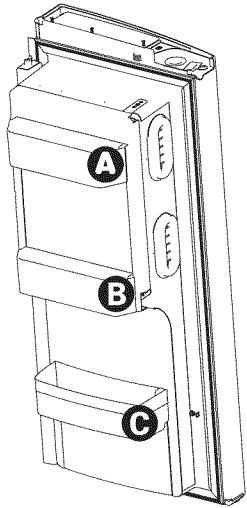
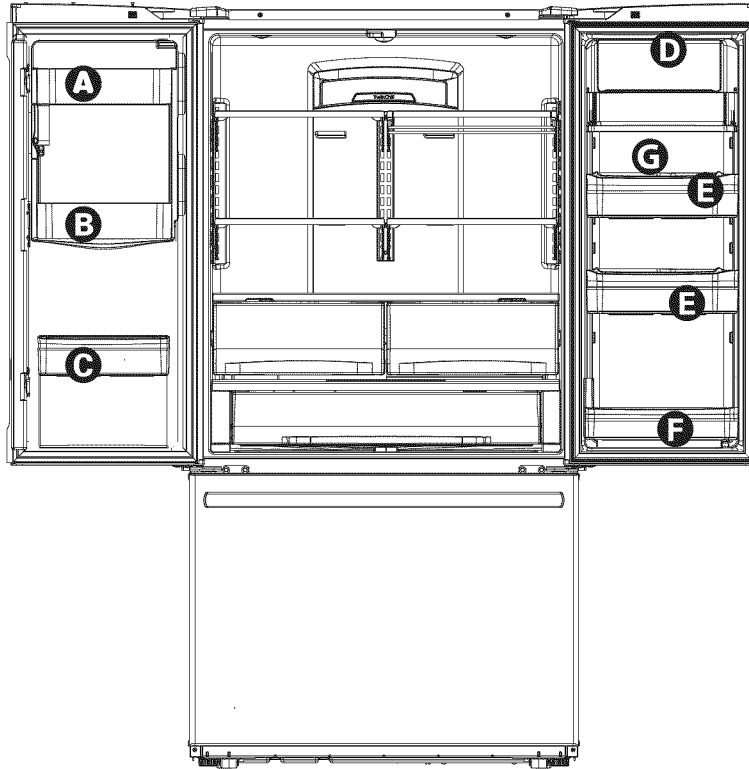


# Installation Instructions

Non-Dispense Models

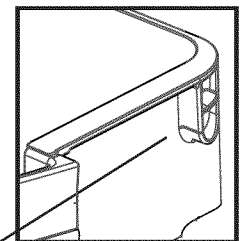


Refrigerator Assembly Instructions, suggested assembly.  
 Instructions d'assemblage du réfrigérateur, d'assemblage suggérer.  
 Instrucciones de montaje del refrigerador, ensamble sugerido.

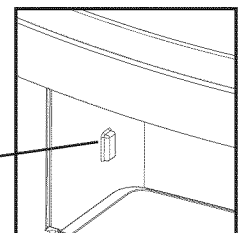


### To place bins into doors:

- 1 Match your bin with the letter shown. Position the bin hooks over the bin locator and push forward until inserted fully.
- 2 Push bin down until locked into position.



Bin hook rear each side



Bin locator each side



GE Appliances  
 General Electric Company  
 Louisville, KY 40225  
 GEAppliances.com

# Installation Instructions

## *INSTALLING THE WATER LINE*

### BEFORE YOU BEGIN

Recommended copper water supply kits are WX8X2, WX8X3 or WX8X4, depending on the amount of tubing you need. Approved plastic water supply lines are GE SmartConnect™ Refrigerator Tubing (WX08X10006, WX08X10015 and WX08X10025).

When connecting your refrigerator to a GE Reverse Osmosis Water System, the only approved installation is with a GE RVKit. For other reverse osmosis water systems, follow the manufacturer's recommendations.

If the water supply to the refrigerator is from a Reverse Osmosis (RO) Water Filtration System AND the refrigerator also has a water filter, use the refrigerator's filter bypass plug. Using the refrigerator's water filtration cartridge in conjunction with the RO water filter can result in hollow ice cubes.

This water line installation is not warranted by the refrigerator or ice maker manufacturer. Follow these instructions carefully to minimize the risk of expensive water damage.

Water hammer (water banging in the pipes) in house plumbing can cause damage to refrigerator parts and lead to water leakage or flooding. Call a qualified plumber to correct water hammer before installing the water supply line to the refrigerator.

To prevent burns and product damage, do not hook up the water line to the hot water line.

**For PFE27 and PYE23K Models:** If the refrigerator is operated before the water connection is made to the ice maker, press and hold both the CRUSHED and CUBED buttons together for 3 seconds to disengage the ice maker. When the refrigerator has been connected to the water supply, press and hold both the CRUSHED and CUBED buttons together for 3 seconds to re-engage the ice maker.

**For Non-LCD Models:** If the refrigerator is operated before the water connection is made to the ice maker, press and release the ICE MAKER button on the control panel to disengage the ice maker. When the refrigerator has been connected to the water supply, press and release the ICE MAKER button on the control panel to re-engage the ice maker.

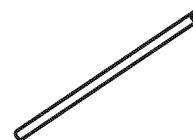
**For PFE28 and PYE22P Models:** If the refrigerator is operated before the water connection is made to the ice maker, see ICE MAKER under SETTINGS menu of the LCD Operations section and follow the screen commands to turn the ice maker OFF.

Do not install the ice maker tubing in areas where temperatures fall below freezing.

When using any electrical device (such as a power drill) during installation, be sure the device is double insulated or grounded in a manner to prevent the hazard of electric shock, or is battery powered.

All installations must be in accordance with local plumbing code requirements.

### WHAT YOU WILL NEED



- Copper or GE SmartConnect™ Refrigerator Tubing kit, 1/4" outer diameter to connect the refrigerator to the water supply. If using copper, be sure both ends of the tubing are cut square.

To determine how much tubing you need: measure the distance from the water valve on the back of the refrigerator to the water supply pipe. Be sure there is sufficient extra tubing to allow the refrigerator to move out from the wall after installation.

GE SmartConnect™ Refrigerator Tubing Kits are available in the following lengths:

- 8' (2.4 m) – WX08X10006
- 15' (4.6 m) – WX08X10015
- 25' (7.6 m) – WX08X10025

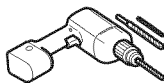
# Installation Instructions

## INSTALLING THE WATER LINE (cont.)

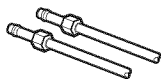
### WHAT YOU WILL NEED (CONT.)

NOTE: The only GE approved plastic tubing is that supplied in GE SmartConnect™ Refrigerator Tubing kits. Do not use any other plastic water supply line because the line is under pressure at all times. Certain types of plastic will crack or rupture with age and cause water damage to your home.

- A GE water supply kit (containing tubing, shutoff valve and fittings listed below) is available at extra cost from your dealer or from Parts and Accessories, 800.626.2002 (in Canada 1.800.661.1616).
- A cold water supply. The water pressure must be between 20 and 120 p.s.i. (1.4–8.1 bar).



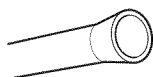
- Power drill.
- 1/2" or adjustable wrench.
- Straight and Phillips blade screwdriver.



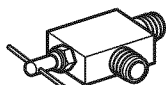
- Two 1/4" outer diameter compression nuts and 2 ferrules (sleeves)—to connect the copper tubing to the shutoff valve and the refrigerator water valve.

OR

- If you are using a GE SmartConnect™ Refrigerator Tubing kit, the necessary fittings are preassembled to the tubing.



- If your existing copper water line has a flared fitting at the end, you will need an adapter (available at plumbing supply stores) to connect the water line to the refrigerator OR you can cut off the flared fitting with a tube cutter and then use a compression fitting. Do not cut formed end from GE SmartConnect™ Refrigerator tubing.



- Shutoff valve to connect to the cold water line. The shutoff valve should have a water inlet with a minimum inside diameter of 5/32" at the point of connection to the COLD WATER LINE. Saddle-type shutoff valves are included in many water supply kits. Before purchasing, make sure a saddle-type valve complies with your local plumbing codes.

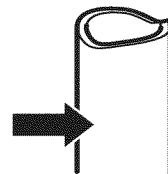
Install the shutoff valve on the nearest frequently used drinking water line.

### 1 SHUT OFF THE MAIN WATER SUPPLY

Turn on the nearest faucet long enough to clear the line of water.

### 2 CHOOSE THE VALVE LOCATION

Choose a location for the valve that is easily accessible. It is best to connect into the side of a vertical water pipe. When it is necessary to connect into a horizontal water pipe, make the connection to the top or side, rather than at the bottom, to avoid drawing off any sediment from the water pipe.

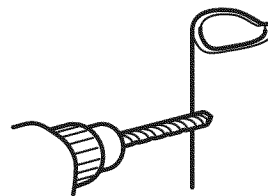


### 3 DRILL THE HOLE FOR THE VALVE

Drill a 1/4" hole in the water pipe (even if using a self-piercing valve), using a sharp bit. Remove any burrs resulting from drilling the hole in the pipe.

Take care not to allow water to drain into the drill.

Failure to drill a 1/4" hole may result in reduced ice production or smaller cubes.

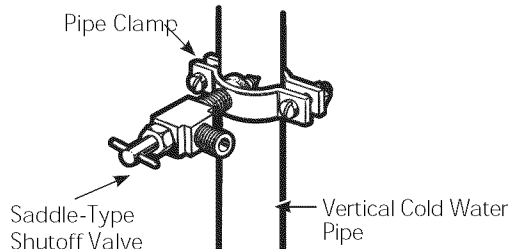


# Installation Instructions

## INSTALLING THE WATER LINE (cont.)

### 4 FASTEN THE SHUTOFF VALVE

Fasten the shutoff valve to the cold water pipe with the pipe clamp.

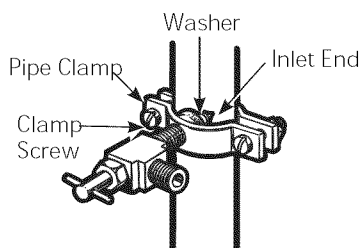


**NOTE:** Commonwealth of Massachusetts Plumbing Codes 248CMR shall be adhered to. Saddle valves are illegal and use is not permitted in Massachusetts. Consult with your licensed plumber.

### 5 TIGHTEN THE PIPE CLAMP

Tighten the clamp screws until the sealing washer begins to swell.

**NOTE:** Do not over tighten or you may crush the tubing.



### 6 ROUTE THE TUBING

Route the tubing between the cold water line and the refrigerator.

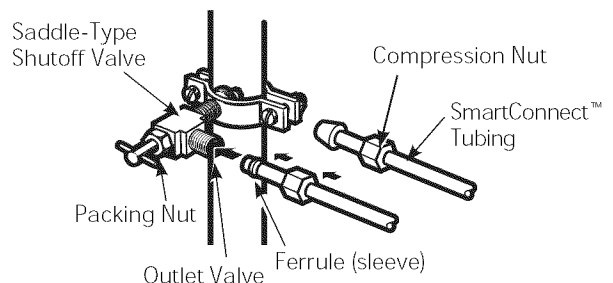
Route the tubing through a hole drilled in the wall or floor (behind the refrigerator or adjacent base cabinet) as close to the wall as possible.

### 7 CONNECT THE TUBING TO THE VALVE

Place the compression nut and ferrule (sleeve) for copper tubing onto the end of the tubing and connect it to the shutoff valve.

Make sure the tubing is fully inserted into the valve. Tighten the compression nut securely.

For plastic tubing from a GE SmartConnect™ Refrigerator Tubing kit, insert the molded end of the tubing into the shutoff valve and tighten compression nut until it is hand tight, then tighten one additional turn with a wrench. Over tightening may cause leaks.

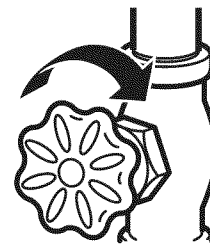


**NOTE:** Commonwealth of Massachusetts Plumbing Codes 248CMR shall be adhered to. Saddle valves are illegal and use is not permitted in Massachusetts. Consult with your licensed plumber.

### 8 FLUSH OUT THE TUBING

Turn the main water supply on and flush out the tubing until the water is clear.

Shut the water off at the water valve after about one quart (1 liter or 2 minutes) of water has been flushed through the tubing.



To complete the installation of the refrigerator, go back to Step 11 in Installing the Refrigerator.



Newer refrigerators sound different from older refrigerators.  
Modern refrigerators have more features and use newer technology.

## Do you hear what I hear? These sounds are normal.

### HUMMM... WHOOSH...

- The new high efficiency compressor may run faster and longer than your old refrigerator and you may hear a high-pitched hum or pulsating sound while it is operating.
- You may hear a whooshing sound when the doors close. This is due to pressure equalizing within the refrigerator.
- After dispensing ice, a motor will close the ice chute to keep warm room air from entering the ice bucket, maintaining ice at a freezing temperature.

The hum of the motor closing the ice chute is normal, shortly after dispensing ice.



- You may hear the fans spinning at high speeds. This happens when the refrigerator is first plugged in, when the doors are opened frequently or when a large amount of food is added to the refrigerator or freezer compartments. The fans are helping to maintain the correct temperatures.
- The fans change speeds in order to provide optimal cooling and energy savings.

### CLICKS, POPS, CRACKS and SNAPS

- You may hear cracking or popping sounds when the refrigerator is first plugged in. This happens as the refrigerator cools to the correct temperature.
- Expansion and contraction of cooling coils during and after defrost can cause a cracking or popping sound.
- On models with an ice maker, after an ice making cycle, you may hear the ice cubes dropping into the ice bucket.
- On models with a dispenser, during water dispense, you may hear the water lines move at initial dispense and after dispenser button is released.

### WATER SOUNDS



- The flow of refrigerant through the cooling coils may make a gurgling noise like boiling water.
- Water dropping on the defrost heater can cause a sizzling, popping or buzzing sound during the defrost cycle.
- A water dripping noise may occur during the defrost cycle as ice melts from the evaporator and flows into the drain pan.
- Closing the door may cause a gurgling sound due to pressure equalization.

### START UP COOLING

It can take up to 24 hours for the refrigerator and freezer temperatures to match the display. During that time refrigerator and freezer door openings should be minimized.

#### TIPS

- Freezer cools first.
- Refrigerator compartment cools last; it may take several hours after the freezer.
- Turning off ice maker makes both fresh food and freezer food cool faster.

## Before you call for service...



*Troubleshooting Tips*  
Save time and money! Review the charts on the following pages first and you may not need to call for service.

| Problem   | Possible Causes   | What to Do   |
|---|---|--|
| Water filter indicated as installed incorrectly or a leak is present on LCD screen. | Water filter installed backward or is leaking.  | Check for leak. If no leak is present, remove filter/bypass plug, rotate 180° and reinstall.   |
| Water filter indicator light remains lit after replacing filter                     | Filter timer has not been reset or filter is installed backward.                                  | <b>Internal Dispense models:</b><br>-Press and hold reset button for 3 seconds<br><b>External Dispense models:</b><br>-Remove filter and rotate 180 degrees and reinstall. |
| Water filter indicator light is not lit   | This is normal. This indicator will turn on to tell you that you need to replace the filter soon. | See <i>About the Water Filter</i> for more information.  |
| Handle is loose/handle has a gap.   | Handle needs adjusting  | See <i>Attach Fresh Food Handle</i> and <i>Attach the Freezer Handle</i> sections for detailed instructions.   |
| Refrigerator beeping  | This is door alarm  | -Turn off or disable with door closed<br>-If door open and alarm is sounding, you can only snooze the alarm  |
| Not cooling   | The cooling system is off   | See <i>About Controls</i> .  |
| Water has poor taste/odor*  | Water dispenser has not been used for a long time   | Dispense water, until all water in system is replenished.  |
| Water in glass is warm*   | Normal when refrigerator is first installed   | Wait 24 hours for the refrigerator to completely cool down.  |
|   | Water dispenser has not been used for a long time   | Dispense water, until all water in system is replenished   |
|   | Water system has drained  | Allow several hours for replenished supply to chill  |
| Water dispenser does not work*  | Water supply line turned off or not connected   | See <i>Installing the Water Line</i>   |
|   | Water filter clogged or filter/bypass plug not installed  | Replace filter cartridge or remove filter and install bypass plug  |
|   | Air may be trapped in the water system  | Press the dispenser arm for at least 5 minutes.  |
|   | Water in reservoir is frozen because the controls are set too cold                                | Set the refrigerator control to a warmer setting and wait 24 hours. If the water does not dispense after 24 hours, call for service  |
| Water spurting from dispenser*  | Newly installed filter cartridge  | Run water from the dispenser for 5 minutes (about 2 gallons)   |

\*Select Models Only



## Troubleshooting Tips (cont)

| Problem   | Possible Causes   | What to Do   |
|---|---|--|
| No water or ice cube production*                  | Supply line or shutoff valve is clogged   | Call a plumber   |
|   | Water filter is clogged   | Replace filter cartridge or remove filter and install bypass plug                  |
|   | Filter cartridge not properly installed   | Remove and reinstall filter cartridge, being certain that it locks in place.       |
|   | Ice maker is turned off   | Check that the ice maker is turned on. See <i>About the Automatic Ice Maker</i> .  |
| Water is leaking from dispenser*                  | Air may be present in the water line system, causing water to drip after being dispensed  | Dispense water for at least 5 minutes to remove air from system                    |
| Photos not found*                                 | Photos not in root directory of USB   | Make sure the photos are in the root directory in your USB                         |
|   | Photos not in JPEG format<br>Camera/PC used with USB cord   | Photos must be in JPEG format<br>Must use a USB drive                              |
| AUTO FILL under fill/no fill*                     | Not all containers work with <b>AUTO FILL</b>   | Try different container  |
|   | <ul style="list-style-type: none"> <li>• Container not found</li> <li>• Unstable container</li> <li>• Misaligned container</li> </ul> | See pg. 11   |
| AUTO FILL overfills*                              | Not all containers work with <b>AUTO FILL</b>   | Try different container  |
| PRECISE FILL will not fill container*             | Normal, <b>PRECISE FILL</b> requires use of dispenser paddle  | For a specific amount of water, select <b>PRECISE FILL</b> to dispense water       |
| Freezer cooling, fresh food not cooling           | Normal, when refrigerator first plugged in or after extended power outage   | Wait 24 hours for temperature in both compartments to reach selected temperatures. |
| Ice dispenser opens after closing freezer drawer* | Normal  | The ice dispenser door may open after closing freezer door to allow access         |

\*Select Models Only

**SERVICE** Before you call for service, review the detailed troubleshooting tips in the Owner's manual. If needed, service can be scheduled by visiting us online *GEAppliances.com* or calling 800.ge.CARES 800.432.2737

## Truth or Myth

| Truth or Myth?   | Answer | Explanation  |
|--|--------|--|
| The refrigerator water filter may require replacement prior to six months  | TRUE   | The water filter indicator will indicate the need to replace the water filter every six months or 170 gallons of water dispensed (select models only). Water quality varies from city to city. If water flow from the dispenser slows, or ice production decreases, the water filter should be replaced, even though the filter indicator may not indicate the need for replacement. |
| The automatic ice maker in my refrigerator will produce ice when the refrigerator is plugged in to a power receptacle.                                 | MYTH   | The refrigerator must be connected to water, and the ice maker must be turned on. Make sure the ice maker is turned on, only after the water line is connected and water is turned on. The ice maker can be turned <b>on/off</b> from the controls and ensure the ice maker is on, as indicated on the refrigerator control panel. See <i>About the Automatic Ice Maker</i> .        |
| After the refrigerator has been plugged in and connected to water, I will immediately have unlimited chilled water available from the water dispenser. | MYTH   | The water dispenser tank located inside the refrigerator stores water for dispensing. The water in this tank requires 24 hours to chill after installation. High usage conditions will not allow time for the water to chill.  |
| After water dispenses, a few drops of water are normal.  | TRUE   | A few drops of water may fall from the dispenser, after the dispenser paddle has been released. To minimize the drops, remove the glass slowly from the dispenser.   |
| I will never see frost inside the freezer compartment.   | MYTH   | Frost inside the freezer typically indicates that the door is not properly sealed, or has been left open. If frost is found, clear the frost using a plastic spatula and towel, then check to ensure that no food packages or containers are preventing the freezer door from closing. Check the refrigerator control panel to ensure the door alarm is on.                          |
| When the refrigerator is installed, or after replacing the water filter, I must dispense water for five minutes.                                       | TRUE   | A newly installed refrigerator or water filter contains air in the water lines. Press the dispenser paddle and dispense cold water for at least 5 minutes to remove air from the water line, and flush the filter.   |
| To fill the ice bucket to the maximum capacity, I should dispense 12 and 18 hours after installation.  | TRUE   | Dispensing 3-4 cubes 12 hours and 18 hours after installation, allows ice to disperse within the ice bucket, which in turns calls on the ice maker to produce additional ice. Normal ice production = 100 cubes in 24 hours.   |
| I can use the water filter bypass plug to determine if the filter requires replacement.  | TRUE   | Decrease in flow from the water dispenser, or decreased ice production, may indicate the need to replace the water filter. Install the water filter bypass plug (provided with the refrigerator), and check flow from the dispenser. If water flow returns to normal with the bypass plug in place, replace the water filter.  |
| The top of the refrigerator doors will always be aligned.  | MYTH   | Several things can affect the fresh food door alignment, including the floor the refrigerator is installed on and loading of doors. If the top of the fresh food doors are not aligned, use a 1/4" allen wrench to adjust the right/left hand door. The adjustment screw is located on the bottom right or left hand side of the door; open the freezer door to access the screw.    |
| Refrigerator door handles can be easily tightened.   | TRUE   | If door handles are loose or have a gap, the handle can be adjusted using a 1/8" allen wrench, on set screws located on the ends of the handles.   |
| There may be odor and taste problems with your ice.  | TRUE   | After starting the ice maker throw away 24 hours of ice production to avoid odor and taste problems.   |
| I can make fine adjustments to the fresh food doors to align them.   | TRUE   | If the fresh food doors are not aligned, use a 1/4" Allen wrench to adjust the right hand door. The adjustment screw is located on the bottom of the right/left hand door. Open the freezer door to access.  |
| Door handles should always be removed for installation.  | MYTH   | Check chart on reverse side of this instruction. If the doors must be removed do not remove the handles, or if the refrigerator will fit easily through the passage way opening. Adjust handles that are loose or have a gap, by adjusting 1/8" set screws on either end of handles.   |



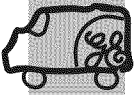
## SERVICE

Before you call for service, review the detailed troubleshooting tips in the Owner's manual. If needed, service can be scheduled by visiting us online *GEAppliances.com* or calling 800.ge.CARES 800.432.2737

## Truth or Myth (cont.)

| Truth or Myth?   | Answer | Explanation  |
|--|--------|--|
| Door removal is always required for installation.  | MYTH   | Check chart on reverse side of this instruction. Doors should only be removed when necessary to prevent damage from passage way or access to final location.   |
| Refrigerator doors that won't close after installation, can be adjusted to close properly. | TRUE   | Door mechanism works best if installed at 90°. If installed at 180°, remove the door from the mid hinge, and swing the door 180° before reinstalling. See <i>Reinstalling the Refrigerator Doors</i> . |
| There is an adjustment to rear wheels.   | MYTH   | Front leveling legs are adjustable and should be used to balance the refrigerator. Leveling legs are used to make initial fresh food door adjustment.  |
| Check for leaks after all water connections are made.                                      | TRUE   | While purging the air from the water system, check all water line connections for leaks. Check the connection to the household water supply at back of refrigerator, and door water line connect.      |
| My LCD display will always be on when I plug the power cord in at installation.            | MYTH   | If the refrigerator has been stored in a cold environment, the LCD may be slow to give a proper display. Give the refrigerator enough time to warm up, and the display should be okay.                 |
| Any packaging residue can be cleaned off the refrigerator using any cleaner.               | MYTH   | Do not use wax, polish, bleach, or other products containing chlorine on Stainless Steel panels, door handles and trim. Check this instruction under "Cleaning the Outside" for full details.          |

# Refrigerator Warranty.



For US Customers, all warranty service provided by our Factory Service Centers, or an authorized Customer Care® technician. To schedule service, visit us online at [GEAppliances.com](http://GEAppliances.com), or call 800.GE.CARES (800.432.2737). Please have serial number and model number available when calling for service. In Canada, call 800.561.3344.

Staple your receipt here. Proof of the original purchase date is needed to obtain service under the warranty.

Servicing your refrigerator may require the use of the onboard data port for diagnostics. This gives a GE Factory Service technician the ability to quickly diagnose any issues with your appliance and helps GE improve its products by providing GE with information on your appliance. If you do not want your appliance data to be sent to GE, please advise your technician NOT submit the data to GE at the time of service.

| For the Period of:   | GE Will Replace   |
|--|---|
| <b>One Year</b><br>From the date of the original purchase  | <b>Any part</b> of the refrigerator which fails due to a defect in materials or workmanship. During the <b>limited one-year warranty</b> , GE will also provide, <b>free of charge</b> , all labor and related service to replace the defective part. |
| <b>Thirty Days</b><br>(Water filter, if included)<br>From the original purchase date of the refrigerator | <b>Any part</b> of the water filter cartridge which fails due to a defect in materials or workmanship. During this <b>limited thirty-day warranty</b> , GE will also provide, <b>free of charge</b> , a replacement water filter cartridge.           |

### GE PROFILE™ MODELS ONLY

|  |   |
|--|---|
| <b>Five Years</b><br>From the date of the purchase | <b>Any part of the sealed refrigerating system</b> (the compressor, condenser, evaporator and all connecting tubing) which fails due to a defect in materials or workmanship. During this <b>limited five-year sealed refrigerating system warranty</b> , GE will also provide, <b>free of charge</b> , all labor and related service to replace the defective part in the sealed refrigerating system. |
|--|---|

### What GE Will Not Cover:

- Service trips to your home to teach you how to use the product.
- Improper installation, delivery or maintenance.
- Failure of the product if it is abused, misused, or used for other than the intended purpose or used commercially.
- Loss of food due to spoilage.
- Replacement of house fuses or resetting of circuit breakers.
- Damage to finish, such as , tarnish, or small blemishes not reported within 48 hours of delivery.
- Replacement of the water filter cartridge, if included, due to water pressure that is outside the specified operating range or due to excessive sediment in the water supply.
- Replacement of the light bulbs, if included, or water filter cartridge, if included, other than as noted above.
- Damage to the product caused by accident, fire, floods or acts of God.
- Incidental or consequential damage caused by possible defects with this appliance.
- Product not accessible to provide required service.
- Damage caused by a non-GE Brand water filter.

**EXCLUSION OF IMPLIED WARRANTIES—Your sole and exclusive remedy is product repair as provided in this Limited Warranty. Any implied warranties, including the implied warranties of merchantability or fitness for a particular purpose, are limited to one year or the shortest period allowed by law.**

**For US Customers:** This warranty is extended to the original purchaser and any succeeding owner for products purchased for home use within the USA. If the product is located in an area where service by a GE Authorized Servicer is not available, you may be responsible for a trip charge or you may be required to bring the product to an Authorized GE Service location for service. In Alaska, the warranty excludes the cost of shipping or service calls to your home.

Some states do not allow the exclusion or limitation of incidental or consequential damages. This warranty gives you specific legal rights, and you may also have other rights which vary from state to state. To know what your legal rights are, consult your local or state consumer affairs office or your state's Attorney General.

**Warrantor: General Electric Company, Louisville, KY 40225**

**For Customers in Canada:** This warranty is extended to the original purchaser and any succeeding owner for products purchased in Canada for home use within Canada. In-home warrant service will be provided in areas where it is available and deemed reasonable by Mabe to provide.

**Warrantor Canada: MC Commercial, Burlington, Ontario, L7R 5B6**



# Performance Data Sheet

## Model: GE RPWFE

Use Replacement Cartridge RPWFE.

The concentration of the indicated substances in water entering the system was reduced to a concentration less than or equal to the permissible limit for water leaving the system as specified in NSF/ANSI Standard 42 and Standard 53. System tested and certified by NSF International against NSF/ANSI Standard 42 and Standard 53 for the reduction of substances listed below.

### Capacity 170 Gallons (643.5 Liters). Contaminant Reduction Determined by NSF testing.

| Substance Tested for Reduction                | Average Influent | NSF specified Challenge Concentration   | Avg % Reduction | Average Product Water Concentration | Max Permissible Product Water Concentration | NSF Reduction Requirements | NSF Test Report |
|---|------------------|---|-----------------|-------------------------------------|---|----------------------------|-----------------|
| Chlorine Taste and Odor                       | 2.0 mg/L         | 2.0 mg/L ± 10%  | 97.4%           | 0.05 mg/L                           | N/A   | ≥50%                       | J-00102044      |
| Nominal Particulate Class I, ≥0.5 to < 1.0 µm | 7,633,333 pts/mL | At least 10,000 particles/mL  | 99.0%           | 71,850 pts/ml                       | N/A   | ≥85%                       | J-00106249      |
| Asbestos                                      | 109 MFL          | 10 <sup>7</sup> to 10 <sup>8</sup> fibers/L; fibers greater than 10µm in length | 99.99%          | <1 MFL                              | N/A   | ≥99%                       | J-00102069      |
| Atrazine                                      | 0.009 mg/L       | 0.009 mg/L ± 10%  | 94.4%           | 0.0005 mg/L                         | 0.003 mg/L                                  | N/A                        | J-00102058      |
| Benzene                                       | 0.016 mg/L       | 0.015 mg/L ± 10%  | 96.4%           | 0.001 mg/L                          | 0.005 mg/L                                  | N/A                        | J-00102065      |
| Carbofuran                                    | 0.08 mg/L        | 0.08 mg/L ± 10%   | 98.8%           | 0.001 mg/L                          | 0.04 mg/L                                   | N/A                        | J-00102059      |
| Cyst*   | 104,750 cysts/L  | Minimum 50,000 cysts/L  | 99.99%          | 3 cyst/L                            | N/A   | ≥99.95%                    | J-00102057      |
| Lead pH @6.5                                  | 0.140 mg/L       | 0.15 mg/L ± 10%   | 99.3%           | 0.001 mg/L                          | 0.010 mg/L                                  | N/A                        | J-00102052      |
| Lead pH @8.5                                  | 0.158 mg/L       | 0.15 mg/L ± 10%   | 98.3%           | 0.002 mg/L                          | 0.010 mg/L                                  | N/A                        | J-00102053      |
| Mercury @ pH 6.5                              | 0.006 mg/L       | 0.006 mg/L ± 10%  | 91%             | 0.0003 mg/L                         | 0.002 mg/L                                  | N/A                        | J-00102054      |
| Mercury @ pH 8.5                              | 0.006 mg/L       | 0.006 mg/L ± 10%  | 88.3%           | 0.0007 mg/L                         | 0.002 mg/L                                  | N/A                        | J-00104087      |
| Lindane                                       | 0.002 mg/L       | 0.002 mg/L ± 10%  | 99%             | 0.00002 mg/L                        | 0.0002 mg/L                                 | N/A                        | J-00102063      |
| P-Dichlorobenzene                             | 0.222 mg/L       | 0.225 mg/L ± 10%  | 99.8%           | 0.0005 mg/L                         | 0.075 mg/L                                  | N/A                        | J-00102067      |
| Toxaphene                                     | 0.015 mg/L       | 0.015 mg/L ± 10%  | 93.5%           | 0.001 mg/L                          | 0.003 mg/L                                  | N/A                        | J-00102061      |
| 2, 4-D Reduction                              | 0.218 mg/L       | 0.210 mg/L ± 10%  | 99.9%           | 0.0001 mg/L                         | 0.07 mg/L                                   | N/A                        | J-00102064      |
| VOC   | 0.278 mg/L       | 0.300 mg/L ± 10%  | 97.7%           | 0.0015 mg/L                         | N/A   | ≥95%                       | J-00102070      |

\*Based on the use of Cryptosporidium parvum oocysts.

The following pharmaceutical reduction claims have not been certified by NSF International. Claims tested and verified by independent laboratory:

| Substance Reduction | Average Influent | NSF specified Challenge Concentration | Avg % Reduction | Average Product Water Concentration | Max Permissible Product Water Concentration | NSF Test Report |
|---------------------|------------------|---------------------------------------|-----------------|-------------------------------------|---|-----------------|
| Atenolol            | 1088 ng/L        | N/A                                   | 99.5%           | 5.0 ng/L                            | N/A   | J-00103221      |
| Fluoxetine          | 845 ng/L         | N/A                                   | 99.4%           | 5.0 ng/L                            | N/A   | J-00103221      |
| Ibuprofen           | 898 ng/L         | N/A                                   | 98.8%           | 9.9 ng/L                            | N/A   | J-00103726      |
| Progesterone        | 945 ng/L         | N/A                                   | 99.4%           | 5.5 ng/L                            | N/A   | J-00103727      |
| Trimethoprim        | 403 ng/L         | N/A                                   | 99.5%           | 2.0 ng/L                            | N/A   | J-00103221      |

### Application Guidelines/Water Supply Parameters

|              |                    |                   |                                 |
|--------------|--------------------|-------------------|---------------------------------|
| Service Flow | 0.5 gpm (1.89 lpm) | Water Pressure    | 25-120 psi (172- 827 kPa)       |
| Water Supply | Potable Water      | Water Temperature | 33° F - 100° F (0.6° C - 38° C) |

It is essential that the manufacturer's recommended installation, maintenance and filter replacement requirements be carried out for the product to perform as advertised. See Installation Manual for Warranty information.

**Note:** While the testing was performed under standard laboratory conditions, actual performance may vary.

Replacement Cartridge: RPWFE. For estimated costs of replacement elements please call 1-800-626-2002 or visit our website at [www.geapplianceparts.com](http://www.geapplianceparts.com).

### ⚠ WARNING

To reduce the risk associated with ingestion of contaminants:

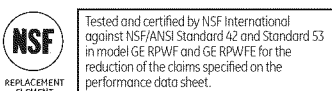
- Do not use with water that is microbiologically unsafe or of unknown quality without adequate disinfection before and after the system. Systems certified for cyst reduction may be used on disinfected water that may contain filterable cysts. EPA Establishment Number 070595-MEX-001.

### NOTICE

To reduce the risk of water leakage or flooding, and to ensure optimal filter performance:

- Read and follow use instructions before installation and use of this system.
- Installation and use **MUST** comply with all state and local plumbing codes.

- Do not install if water pressure exceeds 120 psi (827 kPa). If your water pressure exceeds 80 psi, you **must** install a pressure-limiting valve. Contact a plumbing professional if you are uncertain how to check your water pressure.
- Do not install where water hammer conditions may occur. If water hammer conditions exist you **must** install a water hammer arrester. Contact a plumbing professional if you are uncertain how to check for this condition.
- Do not install on hot water supply lines. The maximum operating water temperature of this filter system is 100° F (38° C).
- Protect filter from freezing. Drain filter when temperatures drop below 33° F (0.6° C).
- Change the disposable filter cartridge every six months or sooner if you observe a noticeable reduction in water flow rate.
- Failure to replace the disposable filter cartridge at recommended intervals may lead to reduced filter performance and cracks in the filter housing, causing water leakage or flooding.



**Consignes de sécurité** . . . . . 46, 47

**Consignes d'utilisation**

Fonctions . . . . . 48-51  
Commandes . . . . . 52, 53  
Distributeur\* . . . . . 54  
Remplissage automatique\* . . . . . 55  
Filtre à eau . . . . . 56  
Options de stockage des  
  produits frais . . . . . 57, 58  
Zone climatisée & Tiroir à  
  température contrôlée . . . . . 59, 60  
Congélateur . . . . . 61  
Machine à glaçons automatique . . . . . 62  
Entretien et nettoyage . . . . . 63  
Remplacement des ampoules . . . . . 64

**Instructions d'installation**

Préparation avant installation  
  du réfrigérateur . . . . . 65, 66  
Installation du réfrigérateur . . . . . 67-77  
Installation de l'alimentation  
  en eau . . . . . 78-80

**Conseils de dépannage** . . . . . 82, 83

Fonctionnement normal . . . . . 81  
Entretien - Mythe ou réalité . . . . . 84, 85

**Assistance à la clientèle**

Garantie pour les clients . . . . . 86  
Certificat de garantie du filtre à eau  
  à cartouche RPWFE . . . . . 87  
Données de performance . . . . . 88  
Assistance à la clientèle . . . . . 90

\*Certains modèles seulement

**Inscrivez ici les numéros de modèle et de série :**

**Modèle #** \_\_\_\_\_

**Numéro de Série #** \_\_\_\_\_

Vous trouverez ces numéros sur l'étiquette apposée sur le côté gauche à mi-hauteur du compartiment de réfrigération.

# IMPORTANTES CONSIGNES DE SÉCURITÉ . VEUILLEZ LIRE TOUTES LES CONSIGNES AVANT UTILISATION .

## SÉCURITÉ



### Site Internet d'Électroménagers GE

Pour de plus amples informations sur le fonctionnement de votre réfrigérateur, consultez le site [www.electromenagersge.ca](http://www.electromenagersge.ca) ou composez le 800.561.3344.

### CONSIGNES DE SÉCURITÉ POUR LE RÉFRIGÉRATEUR

**!** Ce symbole représente une alerte de sécurité. Ce symbole vous avise de dangers possibles pouvant causer la mort, des blessures ou autres. Tous les messages de sécurité seront précédés du symbole d'alerte de sécurité ainsi que des mots « DANGER », « AVERTISSEMENT » ou « MISE EN GARDE ». Ces messages sont les suivants :

- ! DANGER** Signale une situation qui présente un danger imminent et qui, si elle n'est pas évitée, entraînera des blessures graves, voire la mort.
- ! AVERTISSEMENT** Signale une situation qui présente un danger imminent et qui, si elle n'est pas évitée, peut entraîner des blessures graves, voire la mort. .
- ! MISE EN GARDE** Signale une situation qui présente un danger imminent et qui, si elle n'est pas évitée, peut entraîner des blessures mineures ou graves.

### IMPORTANTES CONSIGNES DE SÉCURITÉ

**! AVERTISSEMENT** Pour réduire le risque d'incendie, d'explosion, de choc électrique ou de blessures lorsque vous utilisez votre réfrigérateur, veuillez suivre ces consignes de sécurité :

- Ce réfrigérateur doit être correctement installé conformément aux Consignes d'Installation avant toute utilisation.
- Débranchez le réfrigérateur avant d'effectuer une réparation, de remplacer une ampoule ou de le nettoyer.  
Remarque : L'alimentation du réfrigérateur ne peut être déconnectée par aucune des fonctions sur le panneau de commande.  
Remarque : Les réparations doivent être effectuées par un professionnel qualifié.
- Remettez toutes les pièces et panneaux en place avant d'utiliser l'appareil.
- Ne stockez pas ou n'utilisez pas d'essence ou d'autres vapeurs et liquides inflammables à proximité de cet appareil ou de tout autre appareil électroménager.
- Nous déconseillons fortement l'utilisation d'une rallonge à cause des risques potentiels dans certaines conditions. Cependant, si l'utilisation d'un cordon prolongateur est nécessaire, ce dernier doit obligatoirement être homologué UL (aux USA) ou CSA (au Canada), à trois brins avec mise à la terre pour appareil électroménager et doit être équipé d'une fiche et d'une prise femelle avec terre. Les caractéristiques électriques du cordon prolongateur doivent être de 15 ampères (minimum) et de 120 volts.
- Pour éviter les risques d'asphyxie et d'enfermement pour les enfants. Démontez les portes du congélateur et du compartiment de réfrigération avant de le mettre au rebut ou d'interrompre son utilisation.
- Ne laissez pas les enfants grimper, se mettre debout ou se suspendre aux poignées de portes dans le réfrigérateur ou aux clayettes du réfrigérateur. Ils pourraient se blesser gravement.

### IMPORTANTES CONSIGNES DE SÉCURITÉ

**! ATTENTION** Pour réduire le risque de blessures lorsque vous utilisez votre réfrigérateur, veuillez suivre ces consignes de sécurité.

- Ne nettoyez pas les clayettes ou les couvercles en verre avec de l'eau tiède quand ceux-ci sont froids. Les clayettes et couvercles en verre peuvent se casser s'ils sont exposés à des changements soudains de température ou si vous les cognez ou les faites tomber. Le verre trempé est conçu pour se briser en petits morceaux en cas de casse
- Éloignez les doigts des parties du congélateur où l'on peut facilement se pincer : les espaces entre les portes, et entre les portes et les placards sont toujours étroits. Soyez prudent lorsque vous fermez les portes en présence d'enfants.
- Ne touchez pas les surfaces froides du congélateur lorsque vous avez les mains humides ou mouillées. La peau risque d'adhérer à ces surfaces extrêmement froides.
- Ne recongelez pas les aliments surgelés qui ont complètement dégelé.
- Si votre réfrigérateur est doté d'une machine à glaçons automatique, évitez le contact avec les pièces mobiles du mécanisme éjecteur, ou avec l'élément chauffant qui libère les glaçons. Ne posez pas les doigts ou les mains sur le mécanisme de la machine à glaçons automatique pendant que le réfrigérateur est branché.

**! AVERTISSEMENT**  **Risque d'explosion.**

Conservez les matériaux et vapeurs inflammables tels que l'essence à l'écart de votre réfrigérateur. Une explosion, un incendie voire la mort pourrait en résulter.

# IMPORTANTES CONSIGNES DE SÉCURITÉ . VEUILLEZ LIRE TOUTES LES CONSIGNES AVANT UTILISATION .

GEAppliances.ca

## SÉCURITÉ (SUITE)



### Risque de basculement

Les modèles encastrés (modèles PYE, CYE, GYE, PWE, CWE et ZWE) sont plus lourds au niveau de leur partie supérieure, surtout avec les portes ouvertes. Ces modèles doivent être fixés à l'aide du système anti-basculement par fixation au sol pour éviter que l'appareil ne bascule vers l'avant, ce qui pourrait entraîner des blessures graves, voire mortelles. Lisez et suivez les instructions d'installation complètes pour l'installation du système anti-basculement par fixation au sol livré avec votre réfrigérateur.

## BRANCHEMENTS ÉLECTRIQUES



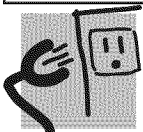
### Risque de choc électrique.

Branchez l'appareil dans une prise triple avec terre.

Ne retirez pas la broche de terre.

N'utilisez pas d'adaptateur.

Le non-respect de ces instructions peut entraîner des risques d'incendies, des chocs électriques ou la mort.



**Ne coupez pas ou n'enlevez pas, sous aucun prétexte, la troisième broche de mise à la terre du cordon d'alimentation. Pour des raisons de sécurité, cet appareil doit être correctement mis à la terre.**

Le cordon d'alimentation de cet appareil est équipé d'une fiche à trois broches (pour une mise à la terre) qui s'adapte à la prise de courant standard à 3 broches (pour une mise à la terre) pour minimiser les risques de chocs électriques par cet appareil.

Faites vérifier la prise murale et le circuit électrique par un électricien qualifié pour s'assurer que le système est correctement mis à la terre.

Dans le cas d'une prise biphasée, l'installateur a la responsabilité et l'obligation de la remplacer par une prise triphasée correctement mise à la terre. N'utilisez pas d'adaptateur.

Le réfrigérateur doit toujours être branché à sa propre prise électrique d'une tension nominale correspondant à celle indiquée sur sa plaque signalétique.

Une alimentation électrique à 115 volts CA, 60 Hz, avec un fusible de 15 ou 20 ampères et une mise à la terre est nécessaire. Ceci permet d'obtenir un meilleur rendement et évite de surcharger les circuits électriques du domicile qui risque d'occasionner un incendie en surchauffant.

Ne débranchez jamais le réfrigérateur en tirant sur le cordon d'alimentation. Prenez toujours fermement la fiche en main et tirez pour la sortir de la prise.

Réparez ou remplacez immédiatement tout cordon électrique usé ou endommagé. N'utilisez pas un cordon fissuré ou présentant des dommages dus aux frottements soit sur sa longueur ou aux extrémités.

Lorsque vous éloignez votre réfrigérateur du mur, faites attention à ne pas le faire rouler sur le cordon d'alimentation afin de ne pas l'endommager.

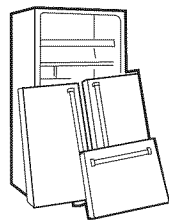
## MISE AU REBUT APPROPRIÉE DE VOTRE ANCIEN RÉFRIGÉRATEUR



### Un enfant risque de suffoquer ou d'y être emprisonné.

Démontez les portes du compartiment de réfrigération et du compartiment de congélation du réfrigérateur, avant mettre celui-ci au rebut. Le non-respect de cette recommandation peut entraîner l'enfermement d'un enfant qui peut entraîner la mort ou des lésions cérébrales.

### IMPORTANT:



Les enfants pris au piège ou morts d'asphyxie sont toujours d'actualité. Les réfrigérateurs jetés ou abandonnés restent dangereux même si vous ne les laissez au rebut que pour « quelques jours ». Si vous voulez jeter votre ancien réfrigérateur, suivez les instructions suivantes pour empêcher les accidents.

#### Avant de jeter votre ancien réfrigérateur ou congélateur:

- Démontez les portes du compartiment de réfrigération et du compartiment de congélation.
- Leave the shelves in place so that children may not easily climb inside.

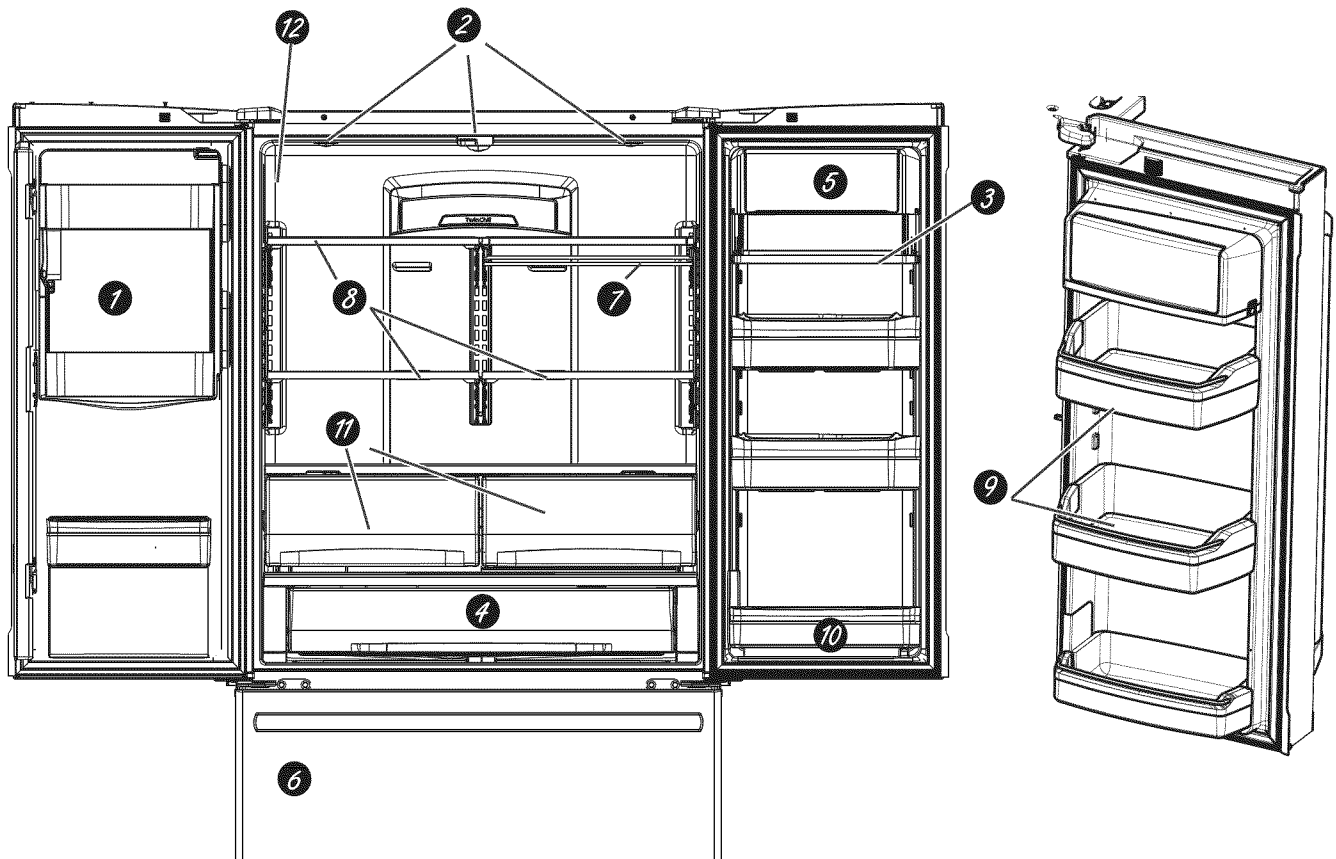
#### Fluides frigorigènes

Les appareils réfrigérants contiennent des fluides frigorigènes qui conformément à la législation fédérale doivent être retirés avant la mise au rebut de l'appareil. Si vous mettez au rebut un ancien réfrigérateur contenant des fluides frigorigènes, vérifiez la procédure à suivre auprès de la compagnie responsable de l'élimination.



**LISEZ ET SUIVEZ SOIGNEUSEMENT CES CONSIGNES DE SÉCURITÉ.  
CONSERVEZ CES INSTRUCTIONS**

## A propos des fonctions.



- 1 Machine à glaçons à faible encombrement \***  
La machine à glaçons et son bac sont situés sur la porte permettant d'avoir un espace de stockage plus spacieux.
- 2 Éclairage à DEL**  
L'éclairage à DEL est placé dans tout le compartiment pour éclairer différentes zones du réfrigérateur. Des DEL sont situées sous la porte du réfrigérateur pour éclairer le congélateur lorsque celui-ci est ouvert.
- 3 Plateau rabattable\***  
Permet un espace de stockage dans la porte en cas de besoin. Il se replie lorsqu'il ne sert pas.
- 4 Tiroir de pleine largeur à température contrôlée (sur certains modèles)**  
Bac à température contrôlée qui peut accueillir les produits les plus volumineux.
- 5 Bac à produits laitiers\***  
Compartiment séparé pour vos produits.
- 6 Machine à glaçons double / bac d'appoint (sur certains modèles)**  
Une machine à glace pour chacun des deux compartiments vous permettra d'avoir une plus grande réserve de glace sous la main.

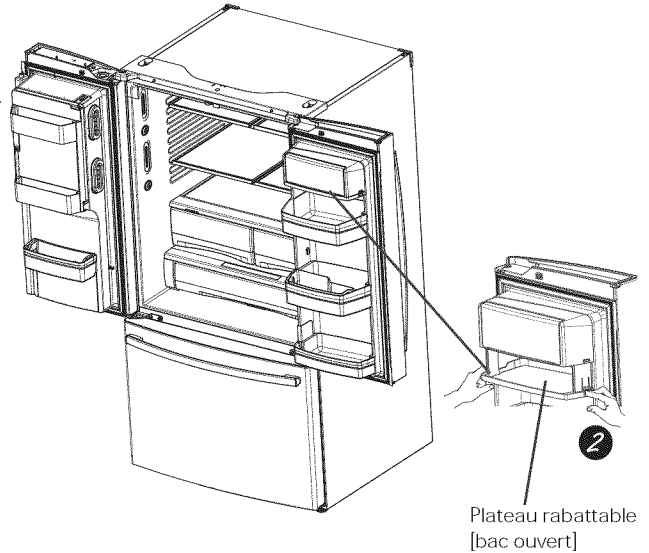
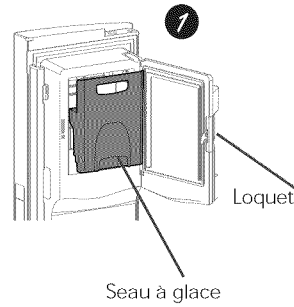
- 7 Clayette QuickSpace™ \***  
Elle s'utilise comme une clayette normale de pleine largeur. Elle se glisse vers l'arrière pour stocker des produits hauts.
- 8 Clayettes anti-débordements**  
Conçues pour empêcher les aliments renversés de couler et permettre ainsi un nettoyage facile.
- 9 Tapis antidérapant\***  
Doublure qui recueille les renversements, empêche les contenants de bouger à l'ouverture de la porte et se retire aisément pour le nettoyage.
- 10 Bac amovible à condiments**  
Bac séparé conçu pour faciliter le retrait et le stockage.
- 11 Bac climatisé**  
Bacs séparés pour le stockage des produits.
- 12 Filtre à eau\***  
Filtre l'eau et l'eau destinée à se transformer en glace.

\*Certains modèles seulement



## 1 Bac à glace de porte\*\*

1. Ouvrez la porte gauche du compartiment de réfrigération.
2. Tirez le loquet vers le bas pour ouvrir la porte du bac.
3. À l'aide de la poignée, soulevez le seau à glace pour libérer les repères au fond du bac.
4. Pour remettre le seau à glace, placez-le sur les guides et enfoncez-le jusqu'à ce qu'il soit correctement en place.
5. Si vous n'arrivez pas à le remettre, faites tourner la fourche d'1/4 de tour dans le sens des aiguilles d'une montre.



## 2 Bac rabattable pour les produits laitiers\*

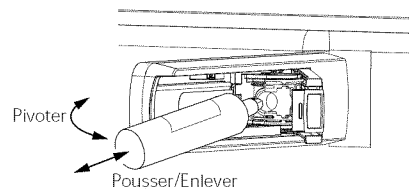
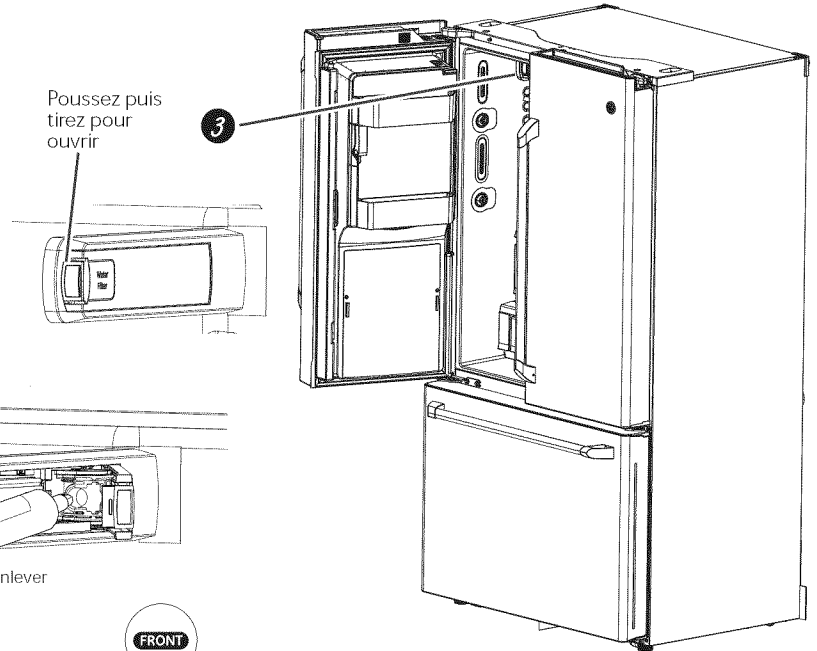
1. Ouvrez la porte droite du compartiment de réfrigération.
2. Appuyez sur les deux boutons sur les côtés inférieurs et le bac s'ouvrira.
3. Faites la manœuvre en sens inverse pour le réinstaller.

## 3 Filtre à eau/à glace Retrait du filtre et du bouchon de dérivation

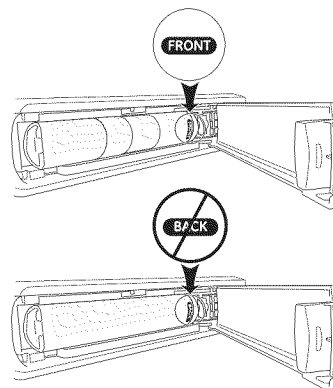
Poussez sur l'encoche sur le couvercle et ouvrez la porte du filtre. Retirez le bouchon du filtre/de dérivation puis tirez directement vers l'arrière pour sortir le filtre.

### Installation de la cartouche filtrante

Poussez sur l'encoche au bas du couvercle et ouvrez celui-ci. Soulevez la porte et alignez les languettes du filtre avec celle du support de filtre et appuyez sur le filtre pour le positionner correctement.

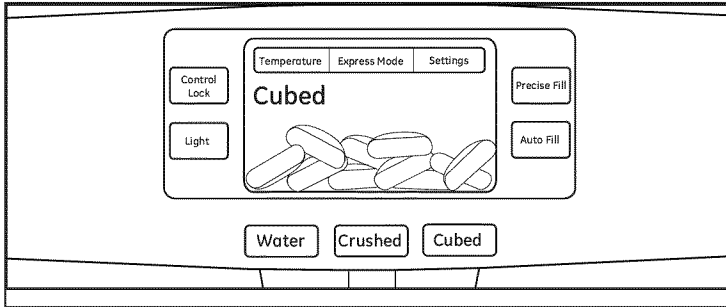


\*Certains modèles seulement

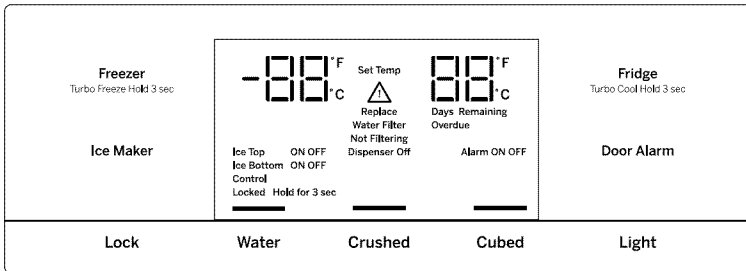


## À propos des paramètres de température.

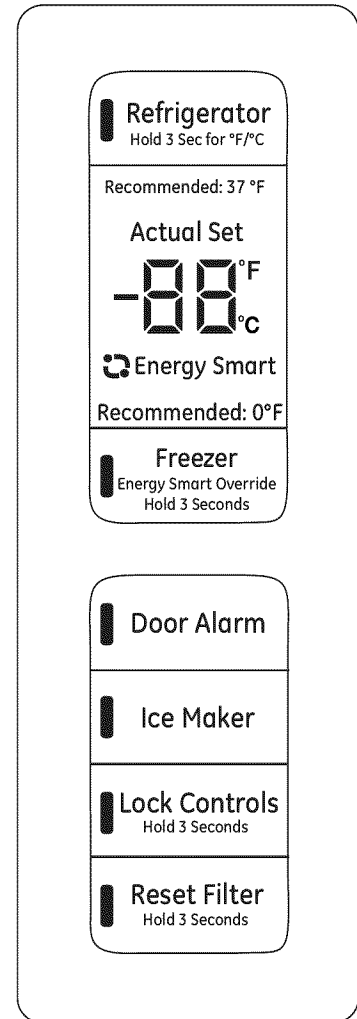
PFE28,PYE22P Control Style A, LCD External Control



GFE28, GFE26, DFE28, GYE22 Control Style B, External Control



GNE29, PWE23 Control Style C, Internal Control



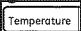
**REMARQUE:** Le réfrigérateur est livré avec un film protecteur sur les commandes de températures. Si le film n'a pas été retiré pendant l'installation, retirez-le maintenant.

Les commandes de températures sont pré-réglées en usine à 37°F (3°C) pour le compartiment réfrigérateur et à 0°F (-18°C) pour le compartiment congélateur. Veuillez attendre 24 heures pour que la température se stabilise au pré-réglage recommandé.

Les commandes de températures peuvent afficher les températures SET (fixées) ainsi que les températures réelles à l'intérieur du réfrigérateur et du congélateur. La température actuelle peut légèrement varier de la température SET (fixée) suivant les conditions d'utilisation et de fonctionnement.

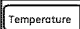
### Modification de la température pour un style de contrôle A

Pour modifier la température du réfrigérateur :

Activez par : Bouton de température 

Activez par : Sous le mot "réfrigérateur", utilisez les flèches pour sélectionner la température désirée. Appuyez sur **TERMINÉ** pour retourner au menu **ACCUEIL**.

Pour changer la température du congélateur :

Accédez par : Bouton de température 

Activez par : Sous le mot "congélateur", utilisez les flèches pour sélectionner la température désirée. Appuyez sur **TERMINÉ** pour retourner au menu **ACCUEIL**.

Pour désactiver le système de refroidissement, accédez aux commandes **PARAMÈTRES** par l'écran d'accueil. Passez à la page suivante puis touchez **REFROIDISSEMENT ACTIVÉ**. Appuyez sur **TERMINÉ** pour revenir à l'écran d'accueil.

Pour activer le système de refroidissement, accédez aux commandes **PARAMÈTRES** par l'écran d'accueil. Passez à la page suivante puis touchez **REFROIDISSEMENT DÉACTIVÉ**. Appuyez sur **TERMINÉ** pour revenir à l'écran d'accueil.

Désactiver le système de refroidissement arrête le refroidissement au réfrigérateur, mais il ne coupe pas le courant électrique.

### Modification de la température pour un style de contrôle B

Pour changer la température, pressez et relâchez la touche **CONGÉLATEUR** ou **RÉFRIGÉRATEUR**. L'affichage indiquera la température réglée. Pour changer la température, pressez la touche **CONGÉLATEUR** ou **RÉFRIGÉRATEUR** jusqu'à ce que la température désirée soit affichée.

Pour **DÉSACTIVER** le système de refroidissement, maintenez une pression sur les touches **RÉFRIGÉRATEUR** et **MACHINE À GLAÇONS** simultanément pendant 3 secondes. Une fois le système de refroidissement désactivé, l'affichage devrait indiquer **DÉSACTIVÉ**.

### Changer la temp., pour le type de commande C

L'affichage de la température est situé à l'intérieur de la porte du réfrigérateur à gauche. Pour changer la température, appuyez et relâchez la languette **RÉFRIGÉRATEUR** ou **CONGÉLATEUR**. Le voyant lumineux **TEMP. ACTUELLE** sera activé et l'écran affichera la température réelle. Pour modifier la température, appuyez soit sur **RÉFRIGÉRATEUR** ou **CONGÉLATEUR** jusqu'à ce que la température souhaitée soit affichée.

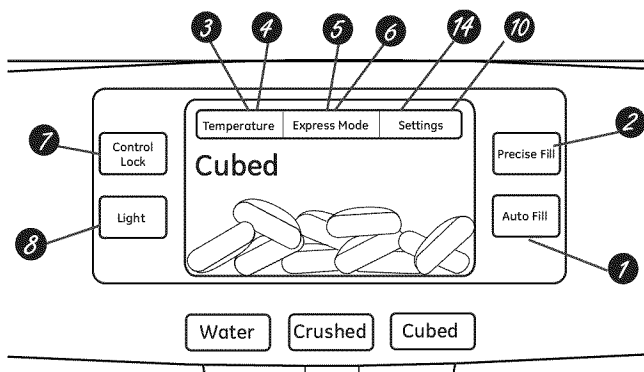
Appuyez sur **TERMINÉ** pour retourner au menu **ACCUEIL**. Pour **DÉSACTIVER** le système de refroidissement, appuyez sur la languette **RÉFRIGÉRATEUR** ou **CONGÉLATEUR** pendant 3 seconds. Lorsque le système de refroidissement est **DÉSACTIVÉ** l'affichage doit indiquer **DÉSACTIVÉ**. Pour **ACTIVER** le système de refroidissement, appuyez sur la languette **RÉFRIGÉRATEUR** ou **CONGÉLATEUR**. L'écran affiche les réglages de température pré-réglés de 37° pour un réfrigérateur et 0°F pour un congélateur. Désactiver le système de refroidissement arrête le refroidissement au réfrigérateur, mais il ne coupe pas le courant électrique.

**REMARQUE :** Pour une température optimale, il est recommandé d'éviter de placer la nourriture ou d'autres produits directement devant les bouches de circulation d'air ou devant la tour de ventilation autour des aliments frais, empêchant ainsi le flux d'air.

# À propos des contrôles - Funciones.

## Style de commandes A, Commandes externes

PFE29, PYE23P



### 1 Remplissage automatique mains libres\*

Le remplissage automatique mains libres fonctionne avec des capteurs qui contrôlent le remplissage du bac, distribuant l'eau filtrée automatiquement sans avoir à être activé manuellement.

### 2 Réglage du remplissage précis\*

Distribue l'eau filtrée et mesurée de façon précise à l'aide de la commande manuelle, en onces, tasses, pintes ou litres.

### 3 Gestion de la température du réfrigérateur

Ajuster la température du compartiment congélateur.

### 4 Gestion de la température du compartiment pour les aliments frais

Ajuster la température du compartiment pour les aliments frais.

### 5 Réglage du TurboFreeze<sup>MC</sup>

Activer le TurboFreeze pour une restauration rapide de la température du congélateur après que la porte ait fréquemment été ouverte.

### 6 Réglage du TurboCool<sup>MC</sup>

Activer le TurboCool pour une restauration rapide de la température du compartiment pour les aliments frais après que la porte ait fréquemment été ouverte.

### 7 Commandes de verrouillage

Appuyer pendant 3 secondes pour verrouiller le distributeur de glace et d'eau ainsi que tous les boutons de commandes et de température.

### 8 Lumière DEL du distributeur

Lumière DEL qui peut être allumée pour éclairer votre distributeur.

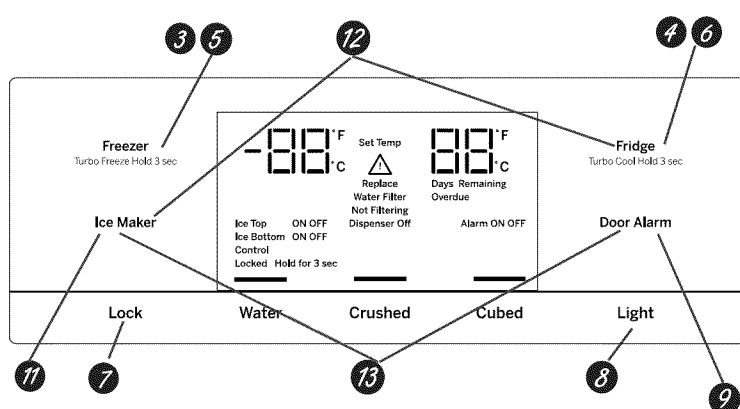
### 9 Commandes de verrouillage

Vous entendrez un avertissement sonore lorsque la porte du congélateur ou celle du compartiment pour les aliments frais aurait été laissée ouverte. Maintenez une pression sur la touche **AVERTISSEUR SONORE DE LA PORTE** pour voir défiler les options du volume : **FAIBLE**, **ELEVÉ** et **DÉSACTIVÉ**.

\*Certains modèles seulement

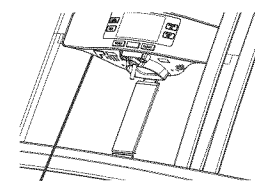
## Style de commandes B, Commandes externes

PFE27, PYE23K



### 10 Chargement de photos\*

Insérez une clé USB pour charger des photos personnelles à l'écran LCD du réfrigérateur. L'écran vous guidera dans le chargement et le visionnement du diaporama. Assurez-vous que les photos sont dans le répertoire racine de votre clé USB.



Couverture USB

### 11 Réglage de la machine à glaçons

Mettre en marche ou éteindre vos machines à glaçons.

### 12 Activation/Désactivation du système de refroidissement

Maintenez une pression sur les touches RÉFRIGÉRATEUR et MACHINE À GLAÇONS simultanément pendant 3 secondes pour activer ou désactiver le système de refroidissement.

### 13 Unités métriques/anglaises

Maintenez une pression sur les touches **MACHINE À GLAÇONS** et **AVERTISSEUR SONORE DE LA PORTE** simultanément pendant 3 secondes pour basculer entre les unités métriques et anglaises.

### 14 Réglages additionnels

- Chargement et suppression de photos
- Diaporama
- Prêt pour connexion à la maison
- Réinstallation du filtre à eau
- Machine à glaçons en marche/éteinte
- Avertisseur sonore de la porte
- Gestion du son
- Système de réfrigération en marche/éteint
- Unités de mesure métriques/anglaises
- Tutoriel vidéo pour le remplissage automatique

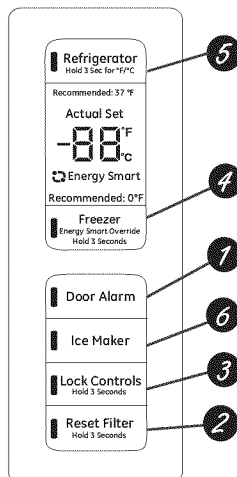
#### Modes additionnels

##### • Mode Sabbath

Appuyer simultanément pendant trois secondes sur le bouton de verrouillage et sur celui de la lumière pour activer ou désactiver le mode Sabbath. Activer le mode Sabbath pour éteindre les lumières intérieures, le contrôle de la température et les fonctions avancées. Lorsqu'il sera en mode Sabbath, le compresseur sera alimenté par une décongélation programmée.

Style de commandes C,  
Commandes internes

GNE29, PWE23



## 1 Avertisseur sonore de la porte

Vous entendrez un avertissement sonore lorsque la porte du congélateur ou celle du compartiment pour les aliments frais aurait été laissée ouverte.

## 2 Réinstallation du filtre

Appuyer pendant 3 secondes après avoir remplacé le filtre.

## 3 Commandes de verrouillage

Appuyer pendant 3 secondes pour verrouiller le distributeur de glace et d'eau ainsi que tous les boutons de commandes et de température.

## 4 Gestion de la température du congélateur

Ajuster la température du compartiment congélateur.

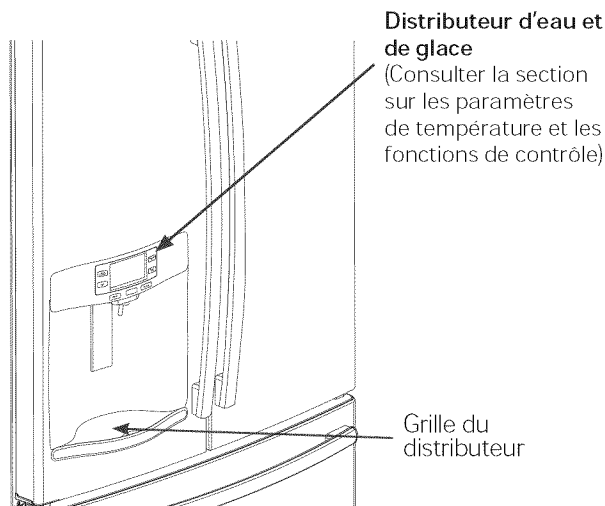
## 5 Gestion de la température du réfrigérateur

Ajuster la température du compartiment pour les aliments frais.

## 6 Réglage de la machine à glaçons

Mettre en marche ou éteindre vos machines à glaçons.

## A propos du distributeur.\*



### Distributeur d'eau et de glace

(Consulter la section sur les paramètres de température et les fonctions de contrôle)

Grille du distributeur



AVERTISSEMENT

### Risque de laceration

- N'introduisez jamais les doigts ou tout autre objet dans l'ouverture de sortie du broyeur de glace. Vous risqueriez de toucher les lames du broyeur de glace et entraîner des blessures graves, voire une amputation.
- Utilisez un verre robuste lorsque vous prenez les glaçons. Un verre fragile pourrait se casser et occasionner une blessure.

Si l'eau n'est pas distribuée lorsque le réfrigérateur vient d'être installé, il y a peut-être de l'air dans le conduit d'eau. Appuyez sur le bras du distributeur pendant au moins cinq minutes pour purger l'air contenu dans le conduit d'alimentation en eau et ainsi remplir ce dernier d'eau. Afin d'éliminer les impuretés du système, jetez les six premiers verres d'eau.

### Pour retirer la grille du distributeur (Type A seulement)

- Tirez la grille du distributeur vers vous jusqu'à la butée.
- Localisez la languette centrale sur le fond de la grille et appuyez.
- Tirez l'ensemble de la grille du distributeur vers vous..
- Soulevez la grille métallique du distributeur de métal par l'encoche centrale pour la nettoyer.

### Pour retirer la grille du distributeur (Type B seulement)

- Tirez sur la grille du distributeur.

### Pour remettre la grille du distributeur (Type A seulement)

- Placez le couvercle de la grille du distributeur sur le dessus de la clayette de récupération et placez-le sous les deux pattes en plastique de chaque côté.
- Centrez la grille du distributeur et alignez-la à l'aide des guides centraux.
- Poussez jusqu'à ce qu'elle soit bien en place.

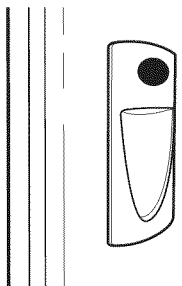
### Pour remettre la grille du distributeur

- Centrez la grille du distributeur et poussez-la jusqu'à ce qu'elle s'encliquette en place.

## Informations importantes concernant votre distributeur

- N'ajoutez pas de glaçons provenant des bacs ou de sac à glaçons au seau de la machine à glaçons de la porte. Ils peuvent être difficile à piler ou à distribuer.
- Évitez de trop remplir les verres de glaçons et d'utiliser des verres étroits. La glace accumulée peut bloquer le conduit ou peut geler le volet en position fermée. Si des glaçons bloquent le conduit, retirer le seau à glace et faites-les passer à l'aide d'une cuillère en bois.
- Ne placez pas de boisson ou d'aliment dans le bac de la machine à glaçons pour les refroidir rapidement. Les canettes, bouteilles et paquets alimentaires peuvent bloquer la machine à glaçons ou la vis sans fin.
- Pour éviter que la glace distribuée ne manque le verre, placez ce dernier à proximité de l'ouverture du distributeur, mais sans la toucher.
- Il est possible que de la glace pilée soit distribuée même si vous avez choisi **CUBED ICE** (glaçons). Cela se produit de temps à autre lorsque plusieurs glaçons sont accidentellement acheminés vers le broyeur.
- Après distribution de glace pilée, de l'eau peut s'écouler du conduit.
- Parfois, un peu de givre se forme sur le volet du conduit à glace. Ce phénomène est normal et se produit en général après des distributions répétées de glace pilée. Le givre va éventuellement s'évaporer.

## Pour utiliser le distributeur d'eau interne\*



Le distributeur d'eau est situé sur le mur intérieur gauche du compartiment réfrigérateur.

### Pour la distribution d'eau :

- 1 Placer le verre contre la cavité.
- 2 Appuyer sur le bouton du distributeur d'eau.
- 3 Tenir le verre sous le distributeur pendant 2 ou 3 secondes après avoir relâché le bouton du distributeur. L'eau pourrait continuer à couler après que le bouton ait été relâché.

Si l'eau ne coule pas lorsque le distributeur est utilisé pour la première fois, il se pourrait qu'il y ait de l'air dans le système de conduites d'eau. Appuyez sur le bouton du distributeur pendant au moins 5 minutes pour permettre à l'air emprisonné de sortir des conduites et pour permettre à l'eau de les remplir. Il se pourrait que le distributeur émette beaucoup de bruit pendant le processus; ce bruit sera provoqué par la sortie de l'air des conduites d'eau. Afin de nettoyer les conduites d'eau de toute impureté, jetez les 6 premiers verres d'eau qui sortiront du distributeur.

**Note :** Pour éviter l'accumulation d'eau, le distributeur devrait être essuyé de temps à autre à l'aide d'un chiffon ou d'une éponge propre.

\*Certains modèles seulement

### *Pour utiliser le remplissage automatique mains libres :*

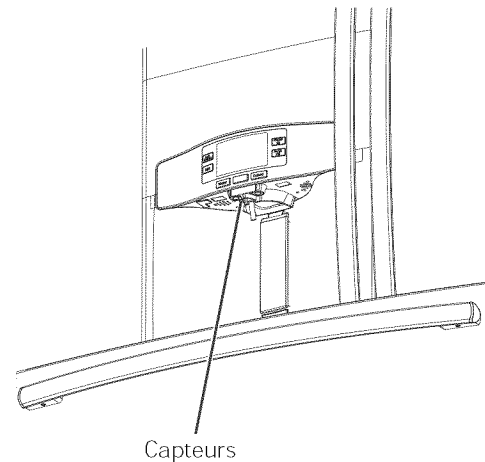
- Centrer le récipient dans la cavité du distributeur et retirer la main du récipient.
- Appuyer sur **Remplissage automatique**

### *Pour arrêter le Remplissage automatique*

- Appuyer sur **Annuler**; pour reprendre le remplissage, appuyer sur **Remplissage automatique**.

### *Faits importants à propos du Remplissage automatique*

- Pour obtenir des résultats optimaux, utiliser un récipient uniforme d'une hauteur de 4 à 8 po. et d'une largeur de 2 à 6 po.
- La forme, la capacité et la fonctionnalité des récipients mesurant plus de 8 po. de hauteur pourraient varier.
- Le volume des récipients pourrait également varier; si vous recevez le message d'erreur « Récipient introuvable », essayez avec un récipient différent.
- Le remplissage automatique prendra fin automatiquement après un certain temps.
- Une poignée ou d'autres garnitures sur le rebord du récipient pourraient entraîner un débordement ou des variations du volume de remplissage.
- Des éclaboussures pourraient se produire selon la position du récipient, le débit d'eau, la forme du récipient et la présence de glaçons
- Nettoyer les capteurs régulièrement à l'aide d'un chiffon propre et humide, et ne pas vaporiser de liquide ni de nettoyant directement sur les capteurs.
- Le remplissage automatique fonctionne mieux si la pression d'eau de la résidence se trouve entre 60 et 100 livres par pouce carré.



# A propos de la cartouche RPWFE du filtre à eau GE®.

## Cartouche filtrante à eau

La cartouche filtrante à eau est située sur la paroi gauche de l'intérieur du compartiment réfrigérateur, dans le haut.

Certains modèles utilisent l'identification par radiofréquence (IRF) pour détecter les fuites et contrôler l'état du filtre. La technologie IRF est homologuée par la FCC.

FCCID: ZKJ-EBX1532P001 ICID: 10229A-EBX1532P001

« Cet appareil est conforme aux prescriptions de la partie 15 des règles de la FCC. Le fonctionnement de cet équipement est assujéti aux deux conditions suivantes : (1) Cet appareil ne doit pas causer de brouillage préjudiciable; et (2) cet appareil doit accepter tout brouillage qu'il reçoit, y compris celui pouvant entraîner un fonctionnement indésirable. »

« Cet appareil est conforme aux normes RSS d'Industrie Canada relatives aux dispositifs exempts de licence. Le fonctionnement de cet équipement est assujéti aux deux conditions suivantes : (1) Cet appareil ne doit pas causer de brouillage; et (2) cet appareil doit accepter tout brouillage, y compris celui pouvant entraîner un fonctionnement indésirable. »

## À quel moment remplacer la cartouche filtrante

La cartouche filtrante doit être remplacée tous les 6 mois ou plus tôt si 644 litres (170 gallons) d'eau ont été distribués ou si le débit d'eau du distributeur ou de la machine à glaçons diminue.

**Modèles à écran tactile :** Un message d'état du filtre apparaîtra à l'écran lorsqu'il faudra remplacer le filtre à eau. L'état du filtre sera mis à jour dès le remplacement du filtre.

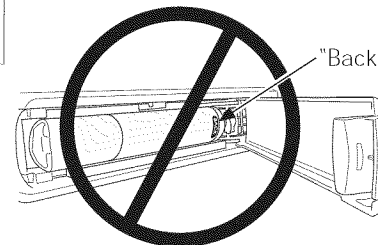
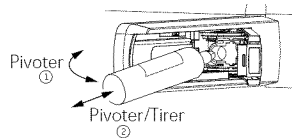
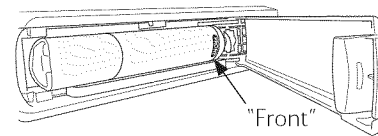
**Modèles sans écran tactile :** Un témoin lumineux s'allumera sur l'écran lorsqu'il faudra remplacer le filtre à eau.

## Remplacement de la cartouche filtrante

Pour remplacer le filtre, retirer d'abord la cartouche usée en ouvrant le panneau d'accès du filtre puis tirer sur le bas de la cartouche pour permettre son pivotement vers l'extérieur. Lorsque la cartouche ne peut plus pivoter, tirer délicatement pour la dégager de son support. **NE PAS TORDRE LA CARTOUCHE.** Une petite quantité d'eau pourrait s'échapper.

## Installation de la cartouche filtrante

1. Alignez le haut du filtre sur le support de la cartouche et poussez jusqu'à ce que la cartouche soit engagée à fond. La cartouche doit être introduite dans son support de façon que le mot FRONT (Avant) soit orienté vers l'extérieur, puis poussée fermement en place. **NE PAS TORDRE LA CARTOUCHE!**
2. Tout en s'assurant que la cartouche se trouve bien au fond de son support, pivoter délicatement la cartouche vers l'intérieur jusqu'en position. Si la cartouche ne pivote pas aisément, s'assurer qu'elle est correctement alignée et bien à fond dans son support.



3. Faites circuler 8 litres (2 gallons) d'eau dans le distributeur d'eau froide (environ 5 minutes) afin d'évacuer l'air du système. **De l'eau jaillira du distributeur suite à l'installation d'une nouvelle cartouche.** Utiliser une grande cruche ou une bouteille d'eau pour le sport pour recueillir le jet d'eau. **NE PAS** utiliser le distributeur d'eau chaude tant que l'air n'est pas totalement évacué du système.
4. Réinitialiser le message d'état du filtre (modèles sans écran tactile).



## Risque d'ébouillement.\*

L'utilisation du distributeur d'eau chaude avant l'évacuation de l'air du système peut provoquer un jaillissement d'eau très chaude causant des brûlures. Veiller à observer les instructions ci-dessus pour évacuer la totalité de l'air du système par le distributeur d'eau froide avant d'utiliser le distributeur d'eau chaude.

Nota : Il est normal d'apercevoir un changement de la couleur de l'eau lors de la purge initiale du système. La couleur de l'eau reviendra à la normale après quelques minutes d'écoulement.

## Bouchon de dérivation du filtre

Pour réduire le risque de dommage à la propriété en raison de fuites d'eau, vous **DEVEZ** utiliser un bouchon de dérivation du filtre lorsqu'une cartouche filtrante de rechange n'est pas disponible. Le distributeur et la machine à glaçons ne fonctionneront pas sans que ne soient installés le filtre ou le bouchon de dérivation. Le bouchon de dérivation s'installe de la même manière que la cartouche filtrante.

\*Certains modèles seulement



**Pour réduire le risque d'étouffement pendant l'installation de ce produit, ne pas laisser les petites pièces à la portée des enfants âgés de moins de 3 ans.** La cartouche de filtre jetable doit être remplacée tous les 6 mois, si sa capacité nominale est atteinte ou si une réduction notable du débit est observée.

Pour les meilleurs résultats de votre système de filtration, GE recommande l'utilisation de filtres de marque GE seulement. L'utilisation de filtres de marque GE dans les réfrigérateurs GE et Hotpoint® procure les meilleurs rendement et fiabilité.

Les filtres GE satisfont aux rigoureuses normes NSF de l'industrie relatives à la sûreté et la qualité, facteur important pour les produits qui filtrent votre eau. GE n'a pas évalué le rendement des filtres d'autres marques dans les réfrigérateurs GE et Hotpoint et il n'existe aucune assurance qu'ils satisferont les normes de qualité et de fiabilité GE.

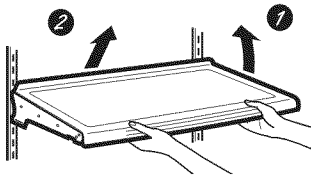
**Pour toute question ou pour commander des cartouches filtrantes de rechange, visitez notre site Web au [www.geappliance.ca](http://www.geappliance.ca), ou composez le 800.661.1616.**

Les consommateurs du Canada doivent consulter les pages jaunes pour connaître le centre de service Camco le plus proche.



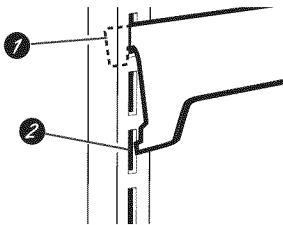
## Réorganisation des clayettes

Les clayettes du réfrigérateur sont réglables.



Pour les retirer :

- 1 Retirez tous les aliments de la clayette.
- 2 Soulevez l'avant de la clayette.
- 3 Soulevez l'arrière de la clayette et sortez-la du réfrigérateur.

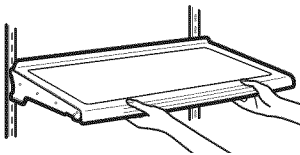


Pour le remettre en place :

- 1 Tout en inclinant la clayette, insérez le crochet supérieur à l'arrière de cette même clayette dans une fente du rail.
- 2 Abaissez l'avant de la clayette jusqu'à ce que le bas de celle-ci se positionne correctement.

## Clayettes anti-déversement

Les clayettes anti-déversement ont des bords adaptés pour éviter que les déversements ne s'écoulent sur les clayettes inférieures.

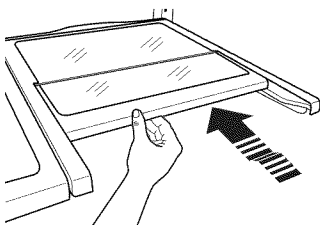


## Clayette QuickSpace\*

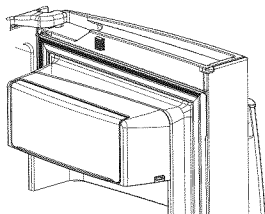
Cette clayette se partage en deux avec une partie qui s'escamote sous l'autre pour permettre le stockage des articles de grande taille posés sur la clayette inférieure.

Cette clayette peut être retirée et remplacée ou déplacée (tout comme les clayettes anti-déversement).

**REMARQUE :** La partie arrière de la clayette QuickSpace n'est pas réglable.



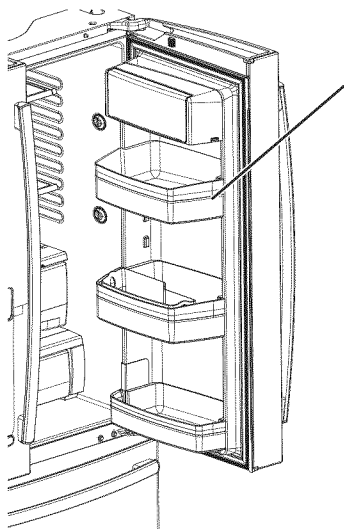
## A propos du stockage des produits frais.



### Bac à produits laitiers non réglable

**Pour le retirer :** Tirez le bac à produits laitiers vers le haut, puis retirez-le.

**Pour le remettre en place :** Engagez le bac dans les supports de porte moulés et poussez-le vers le bas. Le bac s'encastrent. Voir page 33.



### Bacs de porte réglables

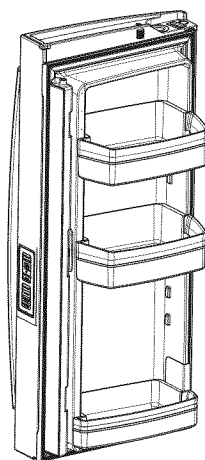
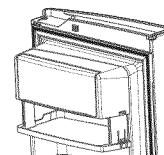
Les bacs réglables peuvent facilement être transportés du réfrigérateur à votre surface de travail.

**Pour les retirer :** Tirez le bac vers le haut, puis retirez-le.

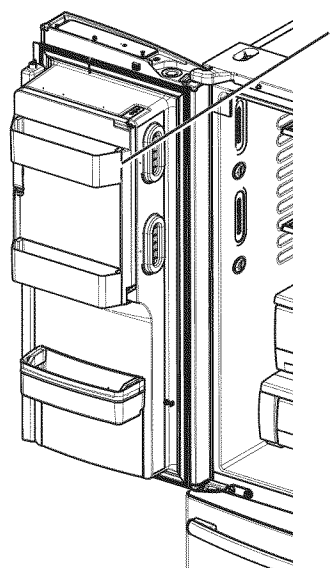
**Pour les remettre ou pour les déplacer :** Engagez le bac dans les supports de porte moulés et poussez-le vers le bas. Le bac s'encastrent. (Voir page 76).

### Plateau rabattable\* (bac ouvert)

1. Ouvrez la porte droite du compartiment de réfrigération.
2. Appuyez sur les deux boutons sur les côtés inférieurs du bac et celui-ci s'ouvrira.
3. Faites la manœuvre en sens inverse pour le réinstaller.



### Modèles sans distributeur (Porte gauche)



### Bacs de porte non réglables - (Modèles avec distributeur - Porte gauche)

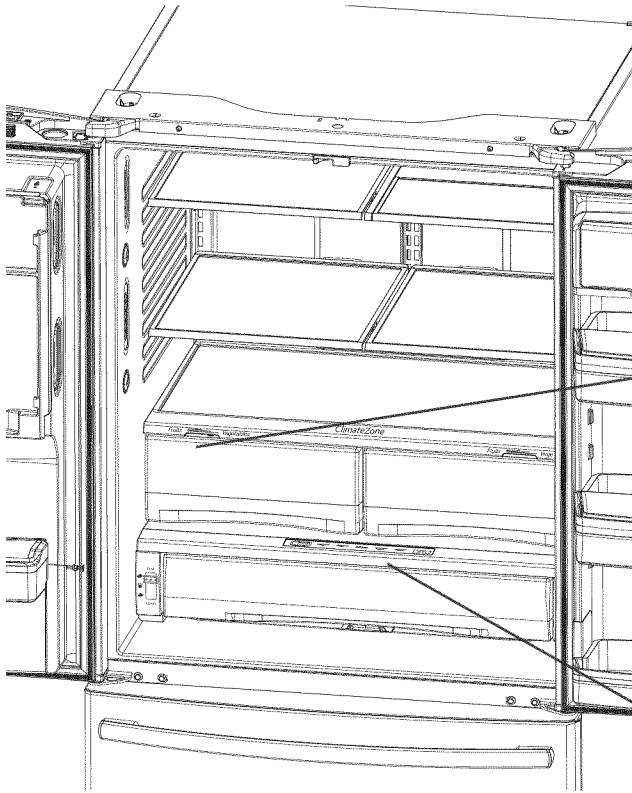
**Pour les retirer :** Tirez le bac vers le haut, puis retirez-le.

**Pour les remettre en place :** Engagez le bac dans les supports de porte moulés et poussez-le vers le bas. Le bac s'encastrent.

Les bacs de porte de la machine à glaçons ne sont pas interchangeables, notez leur emplacement lorsque vous les retirez afin de les remettre au bon endroit.

\*Certains modèles seulement

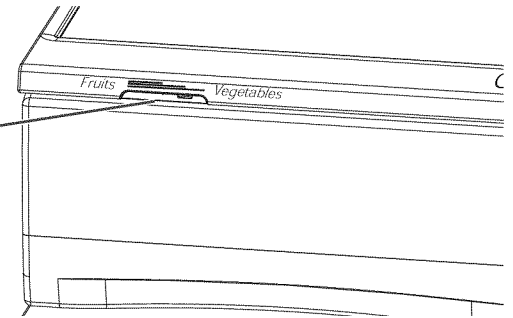
# A propos de la zone climatisée & du tiroir à température contrôlée



## Zone climatisée

Conservez les fruits et les légumes dans des compartiments séparés pour un accès facile.

Essuyez l'eau accumulée dans le fond ou en dessous des bacs.

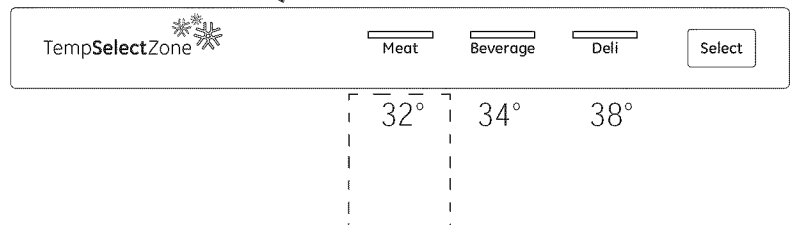


## Tiroir à température contrôlée \*

Le tiroir à température contrôlée est un tiroir de pleine largeur équipé d'un contrôle de la température. Ce tiroir peut être utilisé pour les produits divers de grande taille.

Pour modifier les paramètres, appuyez sur bouton de sélection.

**Remarque :** Les températures indiquent les températures appropriées pour la conservation des aliments, les températures réelles peuvent varier en fonction de l'utilisation du réfrigérateur et d'autres facteurs tels que les ouvertures de portes et du réglage de la température selon les aliments.



### **MISE EN GARDE**

#### **Risque de lacération.**

Ne stockez pas les bouteilles en verre lorsque cette fonction est sélectionnée. Si de la glace se forme, les bouteilles peuvent se briser et causer des blessures corporelles.

## A propos de la zone climatisée & du tiroir à température contrôlée

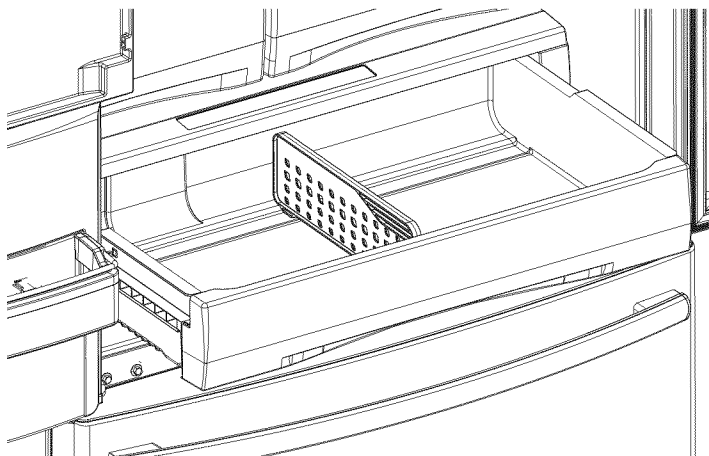
### Retrait et remise en place du tiroir à charcuterie/à produits frais réglable

#### Pour le retirer :

- 1 Tirez le tiroir jusqu'à la butée.
- 2 Soulevez l'avant du tiroir puis faites le sortir en tirant.

#### Pour le remettre en place :

- 1 Tirez les glissières gauche et droite jusqu'à ce qu'elles soient complètement sorties.
- 2 Placez l'arrière du tiroir en premier, puis faites pivoter l'avant du tiroir vers le bas pour que celui-ci repose sur les glissières.
- 3 Poussez le tiroir jusqu'à sa position fermée.



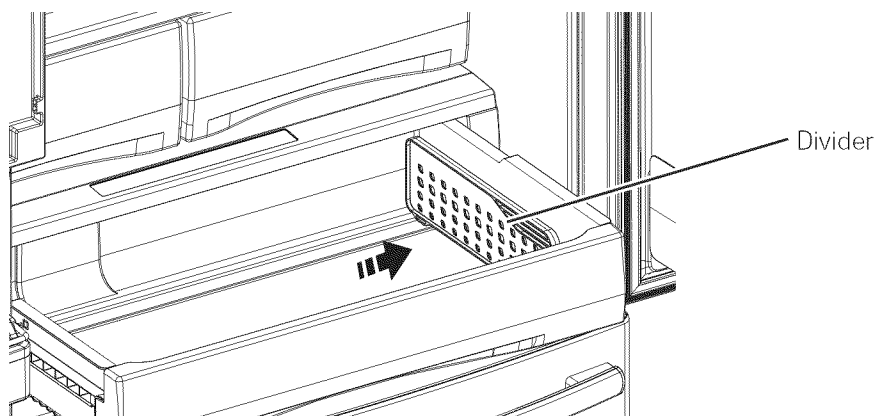
### Comment retirer le séparateur du tiroir et le remettre en place\*

#### Pour le retirer :

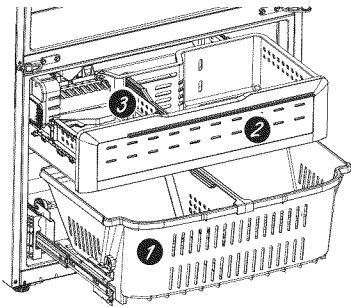
- 1 Tirez le tiroir jusqu'à la butée.
- 2 Soulevez le côté avant du séparateur pour le décrocher de la paroi arrière du tiroir.

#### Pour le remettre en place :

- 1 Accrochez l'arrière du séparateur sur la paroi arrière du tiroir.
- 2 Poussez le séparateur vers le bas.

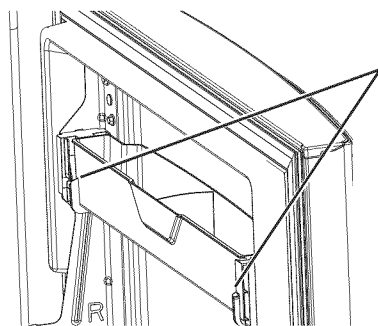


\*Certains modèles seulement



## Panier et tiroir du congélateur

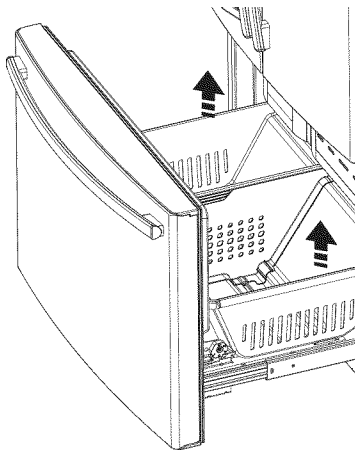
- 1 Panier.
- 2 Tiroir
- 3 Seau à glaçons \*



## Bac non réglable dans le congélateur\*

**Pour le retirer :** Enfoncez la languette en plastique de chaque côté.

**Pour le remettre en place :** Faites glisser le bac dans la position souhaitée jusqu'à encastrement.



## Retrait d'un panier

**Pour le retirer, modèles à profondeur standard seulement :**

- 1 Ouvrez la porte du congélateur jusqu'à la position d'arrêt.
- 2 Retirez le bac de la porte du congélateur en poussant la languette de plastique du côté droit ou gauche afin de libérer l'axe de charnière du bac.
- 3 Retirez le panier du congélateur en le soulevant à l'arrière et en le déplaçant vers l'arrière jusqu'à ce que l'avant du panier puisse pivoter vers le haut et sorti.
- 4 Soulevez-le pour le sortir du congélateur.

**Pour le retirer, modèles PYE et PWE seulement :**

- 1 Ouvrez les portes de la section réfrigérateur.
- 2 Ouvrez la porte du congélateur jusqu'à la position d'arrêt.
- 3 Retirez le panier du congélateur en le soulevant à l'arrière et en le faisant pivoter vers le haut.
- 4 Soulevez-le pour le sortir du congélateur.

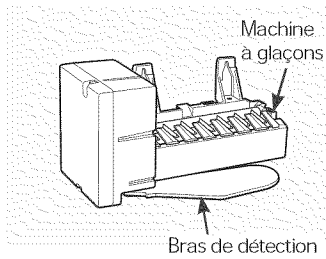
**Pour le remettre en place :**

Procéder en sens inverse pour remettre le bac en place.

\*Certains modèles seulement

# À propos de la machine à glaçons automatique.

Il faut prévoir entre 12 et 24 heures avant qu'un réfrigérateur nouvellement installé commence à produire des glaçons.



## Machine à glaçons automatique \*

La machine à glaçons produit sept glaçons par cycle - environ 100-130 cycles par 24 heures, selon la température du compartiment de congélation, la température de la pièce, le nombre d'ouverture de porte et les autres conditions d'utilisation.

La machine à glaçons se remplit d'eau lorsque sa température atteint 15°F (-10°C). Il faut prévoir entre 12 et 24 heures avant qu'un réfrigérateur nouvellement installé commence à produire des glaçons.

Si le réfrigérateur est mis en marche avant que la machine à glaçons ne soit raccordée à l'alimentation en eau ou si l'alimentation en eau du réfrigérateur est fermée, assurez-vous que la machine à glaçons est éteinte. Une fois que l'eau a été raccordée au réfrigérateur, la machine à glaçons peut être mise en marche. Référez-vous au tableau ci-dessous pour de plus amples

informations.

Vous entendrez un bourdonnement à chaque fois que la machine à glaçons se remplit d'eau.

Jetez les premiers bacs de glaçons pour bien nettoyer le conduit d'eau.

Vérifiez que rien n'interfère avec le déplacement du bras de détection.

Quand le bac se remplit jusqu'au niveau du bras de détection, la machine à glaçons s'arrête de produire des glaçons. Il est normal de trouver des glaçons qui soient soudés ensemble.

Si vous n'utilisez pas souvent vos glaçons, les vieux glaçons deviennent opaques, prennent un mauvais goût et rétrécissent.

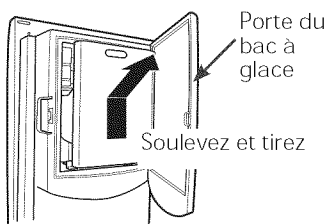
**REMARQUE :** Dans les maisons qui ont une pression d'eau plus faible que la moyenne, vous entendrez peut-être la machine à glaçons recommencer plusieurs fois son cycle pour produire un lot de glaçons.

## AVERTISSEMENT

Pour minimiser les risques de blessures, évitez le contact avec les pièces mobiles du mécanisme éjecteur, ou avec l'élément chauffant qui libère les glaçons. Ne posez pas les doigts ou les mains sur le mécanisme de la machine à glaçons automatique pendant que le réfrigérateur est branché.

## Comment allumer ou éteindre la machine à glaçons ?

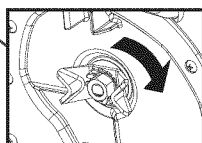
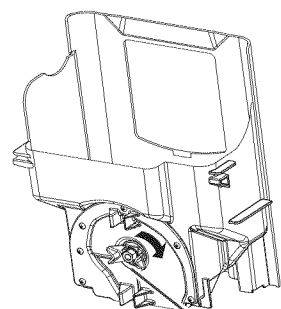
| Type d'affichage (voir page ) | Numéro de modèle #     | Comment allumer ou éteindre la machine à glaçons ?                                |
|-------------------------------|------------------------|---|
| Style de commandes A          | PFE28, PYE22P          | Utiliser le menu de réglages de l'écran tactile.                                  |
| Style de commandes B          | GFE28/26, DFE28, GYE22 | Utiliser le bouton « Machine à glaçons » Utiliser le bouton « Machine à glaçons » |
| Style de commandes C          | GNE29, PWE23           | Utiliser le bouton « Machine à glaçons » Utiliser le bouton « Machine à glaçons » |



## Seau à glaçons et distributeur\*

- Ouvrez la porte du bac à glace à l'intérieur de la porte de gauche.
- Tirez le seau à glaçons vers le haut dans la porte de gauche pour le sortir du compartiment.
- Pour remettre le seau à glace, placez-le sur les guides et enfoncez-le jusqu'à ce qu'il soit correctement en place.
- Si vous n'arrivez pas à le remettre, faites tourner la fourche d'1/4 de tour dans le sens des aiguilles d'une montre.

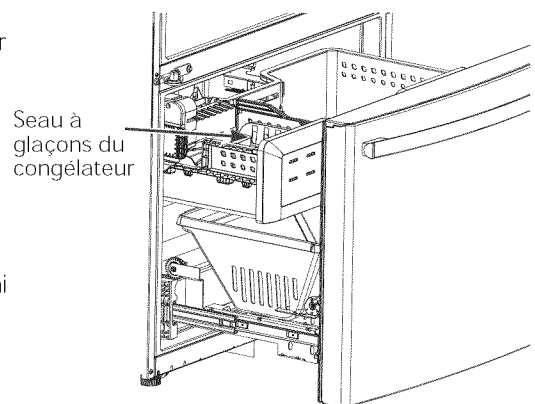
- Le seau à glaçons est situé sur le côté gauche sous panier supérieur.
- Tirez le panier supérieur vers vous pour enlever le seau à glaçons.



## Stockage de glace supplémentaire\*

Un bac de stockage supplémentaire est fourni dans le tiroir de congélation.

- Ouvrez le tiroir de congélation.



\*Certains modèles seulement

## Nettoyage de l'extérieur

### Panneaux, poignées de porte et garniture en acier inoxydable.

Vous pouvez nettoyer les portes et les poignées de porte en acier inoxydable (sur certains modèles) avec un nettoyant d'acier inoxydable vendu sur le marché. Les nettoyants qui contiennent de l'acide oxalique, tels que Bar Keepers Friend Soft Cleanser™, éliminent la rouille de surface, le ternissement et les petites taches. Utilisez uniquement un nettoyant liquide exempt d'abrasif et frottez dans la direction des lignes de brossage à l'aide d'une éponge souple imbibée. N'utilisez pas de cire pour appareils ménagers sur l'acier inoxydable.

### Pièces en plastique argenté.

Lavez ces pièces avec du savon ou un autre détergent doux. Essayez ensuite avec une éponge, un linge humide ou de l'essuie-tout. N'utilisez pas de tampons à récurer, de produits nettoyants en poudre, de javellisants ou de produits contenant du javellissant sous peine de rayer la finition et de la rendre moins résistante.

**Si vous avez besoin de nettoyer le plateau de collecte des gouttes, utilisez un produit détartrant.**

## Nettoyage de l'intérieur

**Pour prévenir les odeurs**, laissez ouverte une boîte de bicarbonate de soude dans les compartiments réfrigérateur et congélateur.

### Débranchez l'appareil avant de le nettoyer.

S'il est trop difficile de débrancher l'appareil, essorez bien votre chiffon ou votre éponge pour enlever l'excès d'eau lorsque vous nettoyez autour des interrupteurs, des lampes ou des commandes. Utilisez une cire pour appareil ménager sur la surface intérieure entre les portes. Utilisez une solution d'eau tiède et de bicarbonate de soude (environ une cuillère à soupe (15 ml) de bicarbonate de soude dans un litre d'eau) afin de nettoyer tout en neutralisant les odeurs. Rincez et séchez.



Ne nettoyez pas les clayettes ou les couvercles en verre avec de l'eau tiède quand ceux-ci sont froids. Les clayettes et couvercles en verre peuvent se casser s'ils sont exposés à des changements soudains de température ou si vous les cognez ou les faites tomber. Le verre trempé est conçu pour se briser en petits morceaux en cas de casse.

Ne lavez aucune pièce en plastique du réfrigérateur au lave-vaisselle.

## Derrière le réfrigérateur

Soyez prudent lorsque vous éloignez votre réfrigérateur du mur. Tous les types de revêtements de sol peuvent être endommagés, en particulier les revêtements matelassés et ceux dont la surface est gaufrée.

Relevez les pieds de mise à niveau situés sur la partie inférieure avant du réfrigérateur.

Tirez le réfrigérateur en ligne droite et lorsque vous le remettez en place, poussez-le vers le mur en ligne droite.

Les déplacements latéraux du réfrigérateur pourraient endommager le revêtement de sol ou le réfrigérateur.

Abaissez les pieds de mise à niveau jusqu'à ce qu'ils touchent le sol.

**Lorsque vous remettez le réfrigérateur en place en le poussant, veillez à ne pas le faire rouler sur le cordon d'alimentation.**

## Départ en vacances

Encas d'absences ou de vacances prolongées, retirez tous les aliments du réfrigérateur et débranchez-le. Nettoyez l'intérieur avec une solution de bicarbonate de soude (environ une cuillère à soupe (15 ml) de bicarbonate de soude dans un litre d'eau). Laissez les portes ouvertes.

**Modèles avec affichage LCD :** Éteindre le réfrigérateur au niveau des commandes (page 7).

Dans le cas où la température pourrait descendre en dessous de zéro, demandez à un technicien qualifié de vidanger le système d'alimentation en eau pour éviter les dégâts des eaux.

1) Éteignez ou débranchez le réfrigérateur (p. 7).

2) Videz le seau à glaçons.

3) Fermez l'arrivée d'eau

**Si vous fermez l'alimentation en eau, éteignez la machine à glaçons (p. 18).**

Retour de vacances :

1) Remettez le filtre à eau.

2) Faites passer 2 gallons (7,5 litres) d'eau dans le distributeur d'eau froide (pendant environ 5 minutes) pour purger le système.

## Déménagement

Immobilisez toutes les pièces amovibles, telles que les clayettes et les bacs, à l'aide de ruban gommé pour éviter de les endommager.

Lorsque vous utilisez un diable pour déplacer le réfrigérateur, ne faites pas reposer le devant ou l'arrière du réfrigérateur contre le

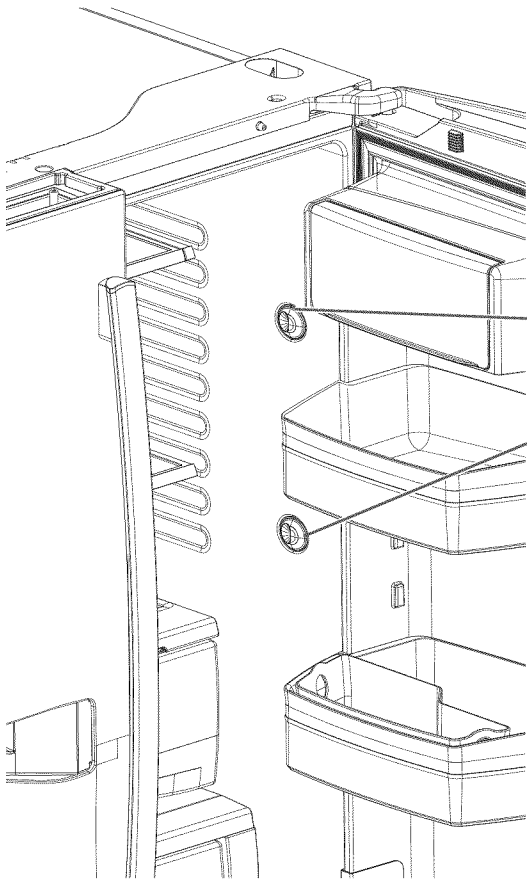
diable, sous peine d'endommager votre réfrigérateur.

Ne le manipulez que par les côtés.

*Assurez-vous que le réfrigérateur reste en position verticale pendant son déménagement.*

# Remplacement des ampoules

## Ampoules du réfrigérateur (DEL)



Le compartiment de réfrigération est équipé d'un éclairage à DEL. De plus, le bas de la porte du compartiment réfrigérateur est également équipé de DEL pour éclairer le compartiment de congélation

Le remplacement des ampoules à DEL doit être effectué par un technicien autorisé.

Si cet ensemble doit être remplacé, contactez le service GE au 1.800.432.2737 aux États-Unis ou au 1.800.561.3344 au Canada.



# Instructions d'installation


# Réfrigérateur

Modèles GE and GE Profile™

Des Questions ? Appelez 800.GE.CARES (800.432.2737) ou consultez notre site internet : [GEAppliances.com](http://GEAppliances.com)  
Au Canada, appelez le 1.800.561.3344 ou consultez notre site internet : [www.GEAppliances.ca](http://www.GEAppliances.ca)

## AVANT DE COMMENCER

Lisez ces instructions entièrement et attentivement.

**AVERTISSEMENT**  **Risque de basculement**  
Les modèles encastrés (modèles PYE, CYE, GYE, PWE, CWE et ZWE) sont plus lourds au niveau de leur partie supérieure, surtout avec les portes ouvertes. Ces modèles doivent être fixés à l'aide du système anti-basculement par fixation au sol pour éviter que l'appareil ne bascule vers l'avant, ce qui pourrait entraîner des blessures graves, voire mortelles. Lisez et suivez les instructions d'installation complètes pour l'installation du système anti-basculement par fixation au sol livré avec votre réfrigérateur.

- **IMPORTANT** – Respectez tous les codes et règlements en vigueur. Conservez ces instructions pour l'inspecteur local.
- **Remarque pour l'installateur** – Assurez-vous de remettre ces instructions à l'utilisateur.
- **Remarque pour l'utilisateur** – Conservez ces instructions pour toute référence future.
- **Niveau de compétence** – L'installation de cet appareil demande des connaissances de base en mécanique.
- **Délai d'exécution** – Variable pour l'installation du réfrigérateur  
30 minutes pour l'installation de l'alimentation en eau
- L'installateur est responsable de l'installation correcte de l'appareil.
- La panne de l'appareil due à une mauvaise installation n'est pas couverte par la garantie.

## PRÉPARATION

### DÉPLACEMENT DU RÉFRIGÉRATEUR À L'INTÉRIEUR DE LA MAISON

Si le réfrigérateur ne peut pas passer par la porte, vous pouvez enlever la porte du compartiment de réfrigération et le tiroir du compartiment de congélation.

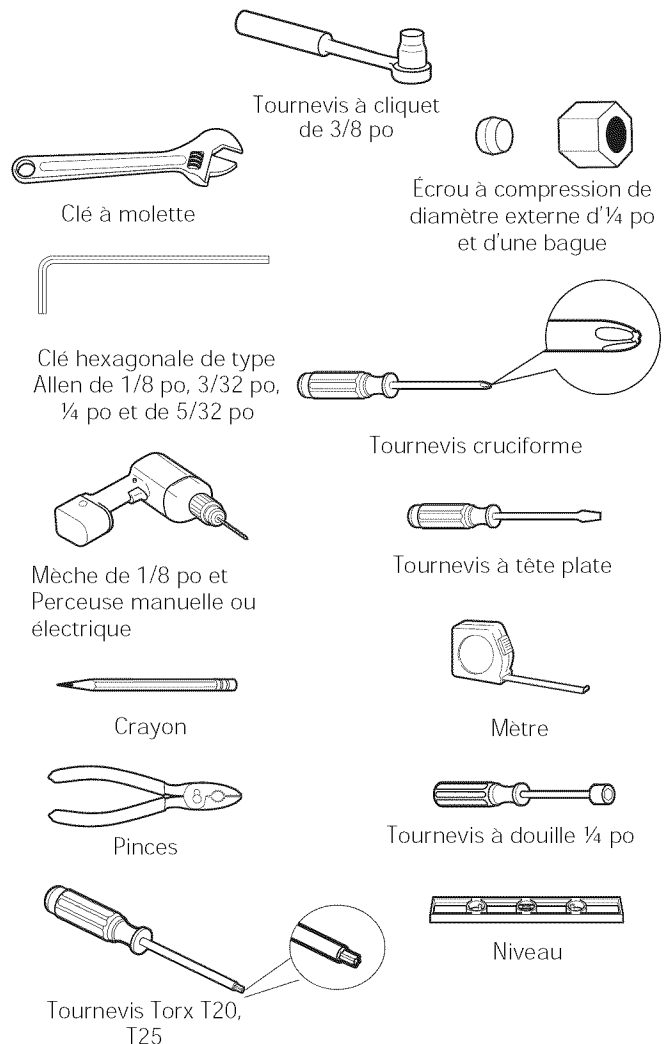
- Pour enlever la porte du compartiment de réfrigération, consultez la section « Installation du réfrigérateur »
- Pour enlever la porte du compartiment de congélation, consultez la section « Retrait du tiroir de congélation ».

## PRÉPARATION (suite)

### ALIMENTATION EN EAU DE LA MACHINE À GLAÇONS ET DU DISTRIBUTEUR

Si le réfrigérateur est équipé d'une machine à glaçons, il devra être branché à une alimentation en eau froide. Vous pouvez vous procurer une trousse GE de branchement à l'alimentation d'eau (contenant tuyau, robinet, raccords et instructions) auprès de votre fournisseur, en consultant notre site internet [GEAppliances.com](http://GEAppliances.com) (au Canada par le site [GEAppliances.ca](http://GEAppliances.ca)), ou au Centre de Pièces Détachées et d'Accessoires, au 800.626.2002 (au Canada, 1.800.661.1616).

## OUTILLAGE DONT VOUS POUVEZ AVOIR BESOIN



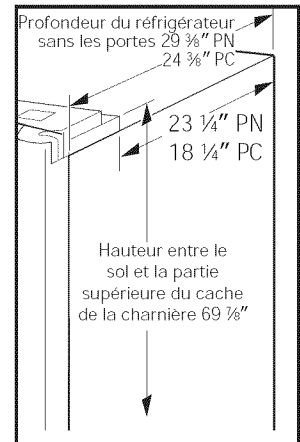
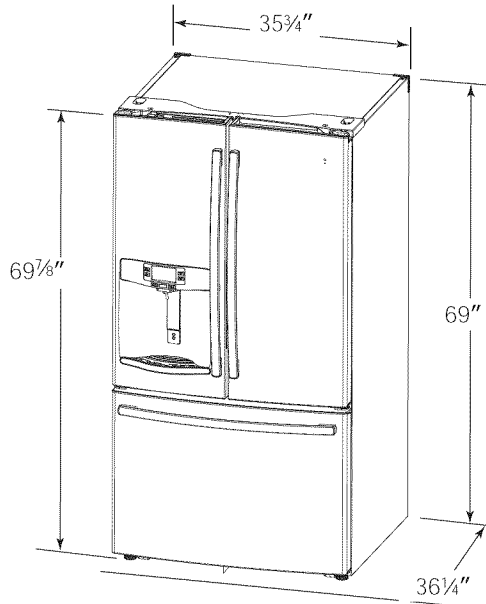
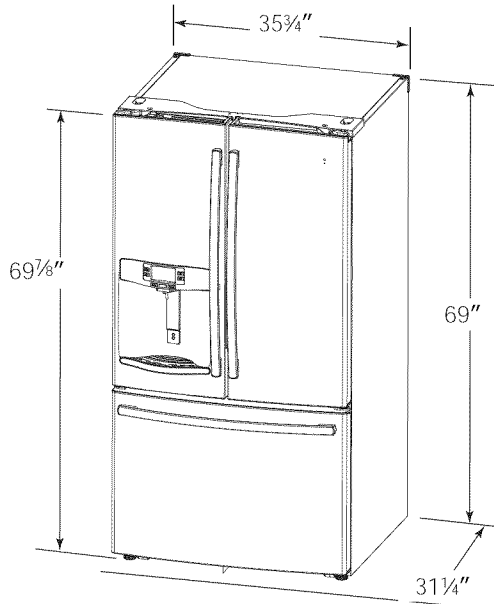
# Instructions d'installation

## DIMENSIONS

Toutes les mesures sont données avec les pieds de mise à niveau escamotés.

Modèle profondeur du comptoir (PC) seulement

Modèle profondeur normale (PN) seulement



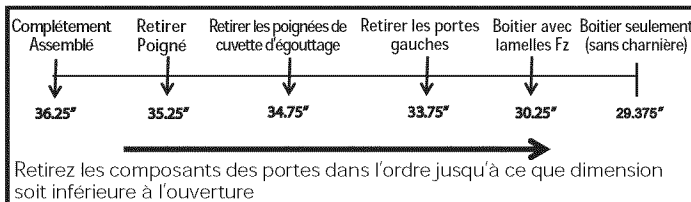
Dimensions supplémentaires

|  | PN      | PC      |
|--|---------|---------|
| Hauteur hors tout du haut du cache de la charnière   | 69 7/8" | 69 7/8" |
| Hauteur du haut du réfrigérateur   | 69"     | 69"     |
| Profondeur du réfrigérateur sans les portes  | 29 3/8" | 24 3/8" |
| Largeur hors tout du réfrigérateur   | 35 3/4" | 35 3/4" |
| Profondeur hors tout du réfrigérateur avec les portes et les tiroirs équipés de leurs poignées | 36 1/4" | 31 1/4" |

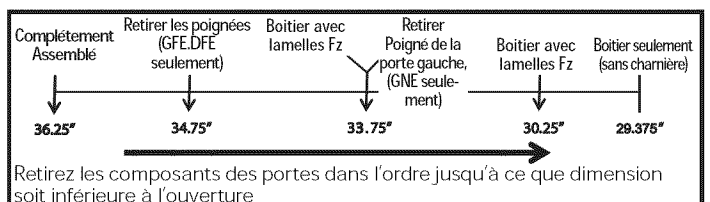
## DÉPLACEMENT DU RÉFRIGÉRATEUR

- En utilisant le tableau ci-dessous, déterminez si la largeur de votre couloir et embrasures de porte peuvent accommoder la profondeur du réfrigérateur. Assurez-vous d'avoir assez d'espace pour éviter d'endommager le réfrigérateur avant de le déplacer en toute sécurité vers son emplacement final.
- Si votre couloir et embrasures de porte sont assez large pour laisser passer le réfrigérateur sans enlever les poignées, passez directement à l'étape 6. Laissez les bandes adhésives, le film et tous les emballages sur les portes jusqu'à ce que le réfrigérateur soit dans sa position finale.
- REMARQUE :** Utilisez un diable rembourré ou des sangles de déménagement pour déplacer ce réfrigérateur. Placez le réfrigérateur sur le diable en appuyant un des côtés contre le diable. Il est fortement recommandé que DEUX PERSONNES déplacent le réfrigérateur et effectuent cette installation.

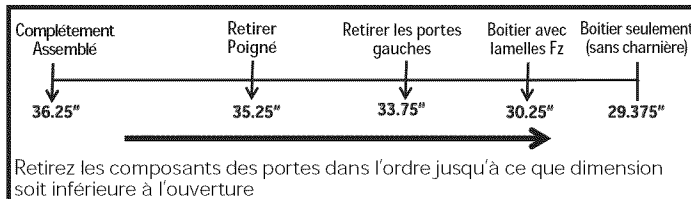
Si votre numéro de modèle commence par PFE (PN)



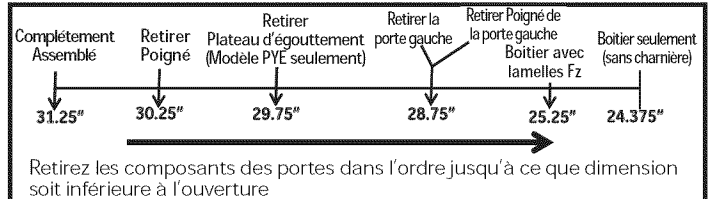
Si votre numéro de modèle commence par GFE, DFE, GNE (PN)



Si votre numéro de modèle commence par CFE (PN)



Si votre numéro de modèle commence par CYE, PYE, PWE (PC)



# Instructions d'installation

## INSTALLATION DU RÉFRIGÉRATEUR

### EMPLACEMENT DU RÉFRIGÉRATEUR

- N'installez pas le réfrigérateur dans une pièce où les températures descendent en-dessous de 60°F (16°C) parce qu'il serait difficile d'y maintenir une température correcte.
- N'installez pas le réfrigérateur dans un endroit où la température ambiante sera supérieure à 37°C, il ne fonctionnera pas correctement.
- N'installez pas le réfrigérateur dans un endroit exposé à l'eau (pluie, etc.) ou directement aux rayons solaires.
- Il doit être installé sur une surface suffisamment solide pour supporter le poids d'un réfrigérateur rempli.

### DÉGAGEMENTS

Prévoyez les dégagements suivants pour faciliter l'installation, la circulation d'air et les raccordements hydrauliques et électriques.

|         |   |
|---------|---|
| Côtés   | 1/8 po (3 mm)   |
| Dessus  | 1 po (25mm) corps du réfrigérateur/<br>cache de charnière |
| Arrière | 2 po (50 mm)  |

### RETRAIT DES PORTES DU RÉFRIGÉRATEUR

- **REMARQUE IMPORTANTE :** La profondeur de ce réfrigérateur est de 36 ¼ po (31 ¼ po pour les modèles CD). Les portes et les passages qui mènent à l'emplacement d'installation doivent avoir une largeur d'au moins 36 ¼ po si vous souhaitez les portes et les poignées sur le réfrigérateur lors de son déplacement. Si la largeur des passages est inférieure à 36 ¼ po, les portes et les poignées du réfrigérateur peuvent être facilement rayées et endommagées. Le cache supérieur et les portes peuvent être retirés pour permettre de déplacer le réfrigérateur à l'intérieur en toute sécurité. Si la largeur des passages est inférieure à 31 ¼ po, commencez par l'étape 1.
- S'il n'est pas nécessaire de retirer les portes, passez directement à l'étape 11. Laissez les bandes adhésives et tous les emballages sur les portes jusqu'à ce que le réfrigérateur soit dans sa position finale.
- **REMARQUE :** Utilisez un diable rembourré pour déplacer ce réfrigérateur. Placez le réfrigérateur sur le diable en appuyant un des côtés contre le diable. Il est fortement recommandé que DEUX PERSONNES déplacent le réfrigérateur et effectuent cette installation.

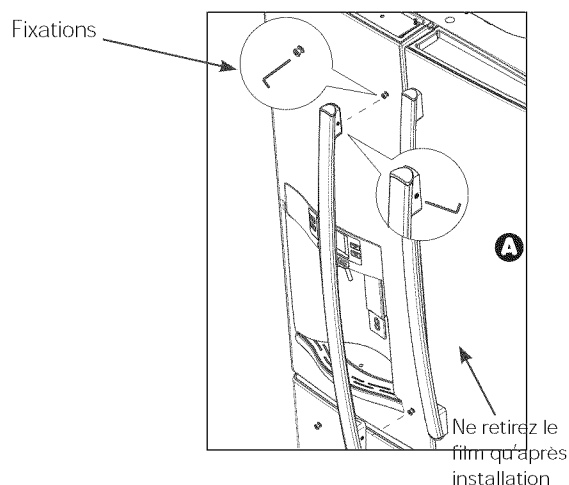
### 1 RETRAIT DES POIGNÉES DE PORTE DU COMPARTIMENT DE RÉFRIGÉRATION

La conception des poignées varie en fonction des modèles, mais l'installation reste la même.

Poignées en acier inoxydable et en plastique :

- Ⓐ Desserrez les vis de réglage avec la clé Allen d'1/8 po et retirez la poignée.

**REMARQUE :** Si les fixations de la poignée ont besoin d'être resserrées ou enlevées, utilisez une clé Allen d'1/4 po.



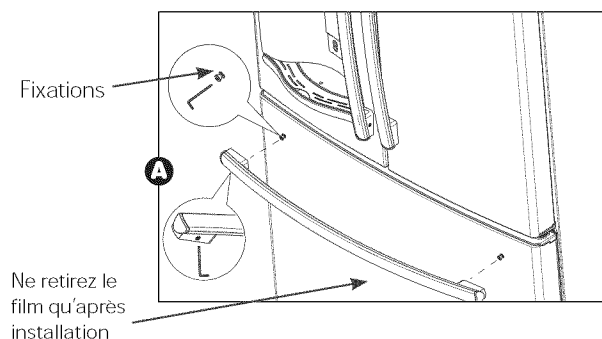
### 2 RETRAIT DES POIGNÉES DE PORTE DU COMPARTIMENT DE CONGÉLATION

La conception des poignées varie en fonction des modèles, mais l'installation reste la même.

Poignées en acier inoxydable et en plastique :

- Ⓐ Desserrez les vis de réglage avec la clé Allen d'1/8 po et retirez la poignée.

**REMARQUE :** Si les fixations de la poignée ont besoin d'être resserrées ou enlevées, utilisez une clé Allen d'1/4 po.



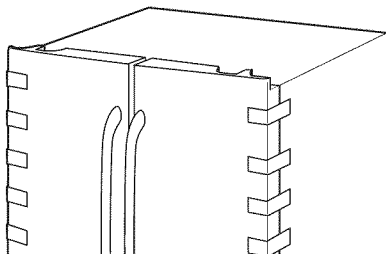
Réinstallez les poignées en utilisant la même procédure que pour les retirer.

# Instructions d'installation

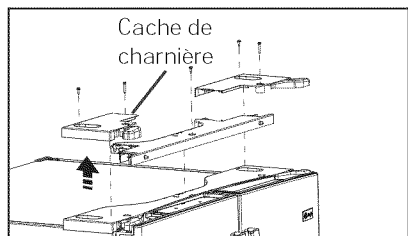
## INSTALLATION DU RÉFRIGÉRATEUR (suite)

### 3 RETRAIT DES PORTES DU RÉFRIGÉRATEUR

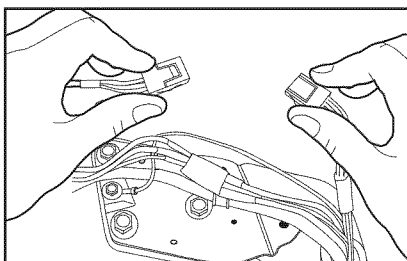
- A** Maintenez la porte bien fermée à l'aide de ruban-cache ou demandez à une deuxième personne de maintenir la porte.



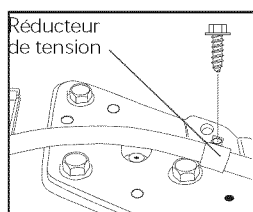
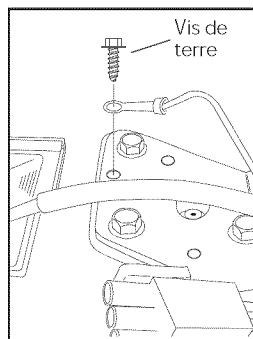
- B** Commencez par la porte de gauche : Retirez le cache de la charnière supérieure de la porte gauche du réfrigérateur en retirant les vis cruciformes et en tirant vers le haut. Faites de même pour la porte de droite et le cache central.



- C** Débranchez les deux connecteurs électriques au niveau du cache supérieur.

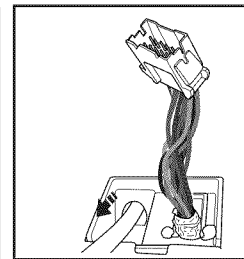
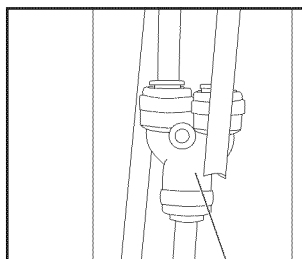


Retirez la vis à tête hexagonale de 1/4 po pour débrancher le fil de masse de la charnière. Retirez la vis à tête hexagonale de 1/4 po pour débrancher réducteur de tension du tuyau d'alimentation en eau.



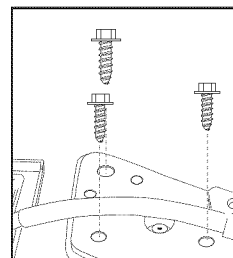
### RETRAIT DES PORTES DU RÉFRIGÉRATEUR (suite)

- D** Débranchez l'alimentation en eau à l'arrière de l'appareil en appuyant sur le collier gris foncé tout en tirant le tuyau d'alimentation en eau vers le haut. Faites passer le tuyau d'alimentation en eau à travers le passage prévu à cet effet pour libérer le tuyau avant de retirer la porte. La longueur du tuyau d'alimentation en eau est supérieure à 4 pi. Celui-ci doit être fixé à l'aide de ruban adhésif à la porte pour y accéder facilement lors de la réinstallation de la porte



Connexion en Y ou droite

- E** A l'aide d'un tournevis à cliquet de 3/8 po, retirez les vis de fixation de la charnière supérieure au corps du réfrigérateur, puis soulevez la charnière vers le haut pour dégager l'axe de la charnière de son emplacement dans le haut de la porte.



### **⚠ MISE EN GARDE** Risque lors du levage de charge

Une seule personne soulevant ces charges pourrait se blesser. Demandez l'aide d'une autre personne pour manipuler, déplacer ou lever les portes du réfrigérateur.

**Remarque :** lorsque vous retirez la porte, pour éviter d'endommager celle-ci ainsi que les composants électroniques qu'elle contient, placez-la soigneusement dans un endroit approprié.

**Remarque :** La charnière inférieure et son axe sont numérotés. Ils doivent donc être associés pour que la porte se ferme correctement de façon automatique. Veuillez suivre les instructions scrupuleusement.

# Instructions d'installation

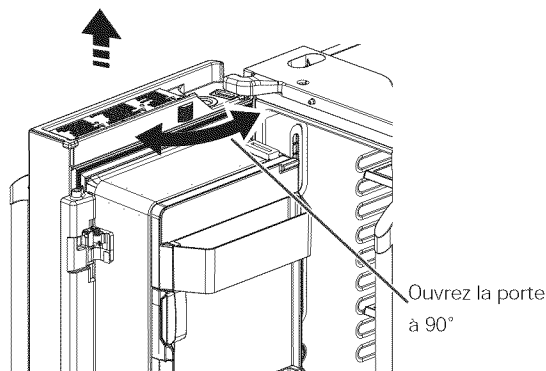
## INSTALLATION DU RÉFRIGÉRATEUR (suite)

### RETRAIT DES PORTES DU RÉFRIGÉRATEUR (suite)

Remarque : pour que l'installation se fasse correctement plus tard, veuillez suivre attentivement la prochaine étape.

- F** Retirez le ruban et maintenez la porte aussi droite que possible, ouvrez la porte à 90° puis soulevez-la en ligne droite pour la dégager.

Soulevez et retirez la charnière centrale

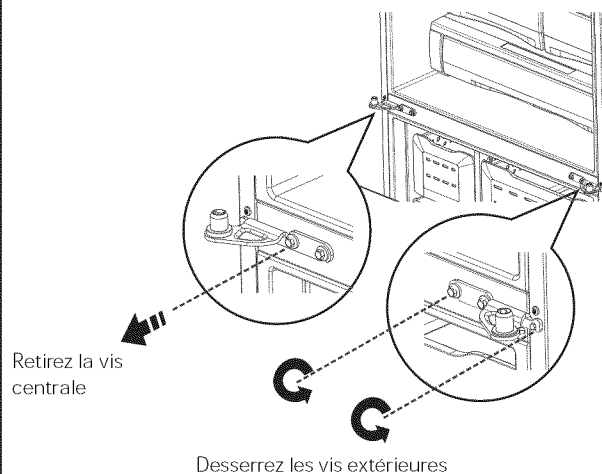


### RETRAIT DE LA PORTE OPPOSÉE

Effectuez la même procédure sur la porte du côté opposé. Il n'y a pas de câbles ou de tuyau d'alimentation en eau sur la porte du côté opposé.

### 4 RETRAIT DE LA CHARNIÈRE CENTRALE (si nécessaire)

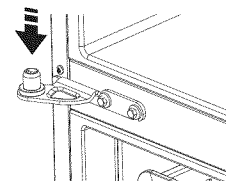
Retirez les vis de 3/8 po maintenant la charnière centrale au corps du réfrigérateur. Utilisez le tournevis T20 pour retirer la vis extérieure.



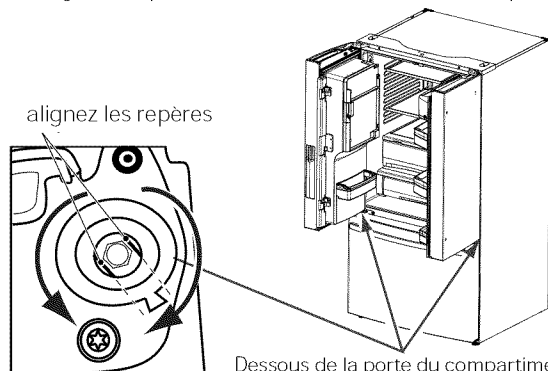
### 5 REINSTALLATION DES PORTES DU RÉFRIGÉRATEUR

- A** Inverser en sens inverse, étapes 4 à 1, pour réinstaller les portes du réfrigérateur. Suivez les instructions suivantes pour les alignements critiques.

Réinstallez la charnière centrale d'abord, puis serrez les vis à un couple de 65 po-lb. Avec la porte gauche à 90° par rapport à la façade du réfrigérateur, abaissez la porte du réfrigérateur sur la charnière centrale. Assurez-vous que la porte et la charnière s'alignent correctement.



- B** Fermez les portes et assurez-vous que la partie mobile d'étanchéité de la porte soit alignée avec la gâche. Si la porte ne se ferme pas automatiquement après la réinstallation, retirez la porte, retournez-la, vérifiez le repère d'alignement et la flèche (il y a un repère d'alignement sur le mécanisme de fermeture de la porte. Celui-ci correspond à un repère d'alignement sur le cache inférieur. Faites pivoter le mécanisme de fermeture de la porte pour aligner le repère et la flèche. Réinstallez ensuite la porte).



Si la porte ne peut pas être inst

1. Installer la porte à 180° du devant du boîtier.
2. Si l'espace disponible ou le modèle limite l'ouverture de la porte à moins de 180°, alors :
  - a) Enlevez la porte, retournez-la doucement.
  - b) Vérifier l'alignement de l'axe du mécanisme de fermeture de la porte sur le dessous de la porte. Les parties planes sur l'axe correspondent au repère d'alignement sur l'anneau en plastique ou au repère sur le cache inférieur
  - c) Si l'axe n'est pas aligné sur le repère, à l'aide d'une clé Allen de 5/32 po, faites pivoter l'axe du mécanisme de fermeture de la porte dans le sens inverse des aiguilles d'une montre pour la porte droite, et dans le sens des aiguilles d'une montre pour la porte gauche. Ensuite, alignez les parties planes avec le repère.
  - d) Installez la porte à 90°.

Maintenez la porte bien fermée à l'aide de ruban-cache ou demandez à une deuxième personne de maintenir la porte. Réinstallez la charnière supérieure d'abord, puis serrez les vis à un couple de 65 po-lb.

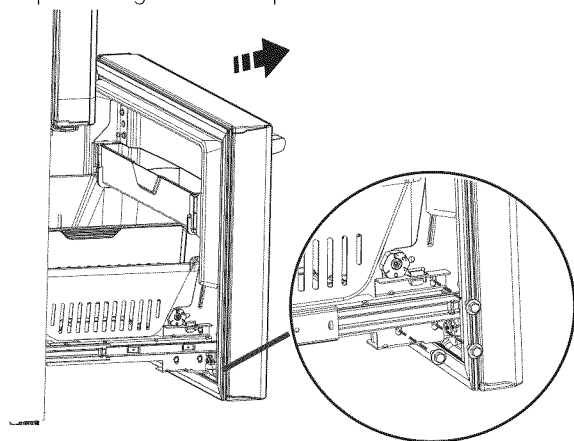
- C** Assurez-vous d'avoir remis le fil de terre et le réducteur de tension au niveau de la charnière supérieure.
- D** Réinstallez le cache de la charnière. Remarque : Assurez-vous que les fils ne sont pas pincés ou sous des emplacements de vis avant de serrer ces dernières.

# Instructions d'installation

## INSTALLATION DU RÉFRIGÉRATEUR (suite)

### 6 RETRAIT DE LA PORTE DU CONGÉLATEUR

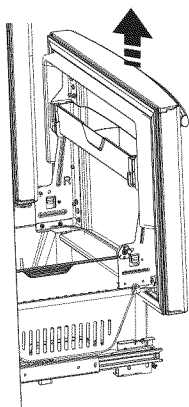
- A Tirez sur la porte du congélateur jusqu'à ce qu'elle soit complètement ouverte.
- B Retirez les 3 vis de fixation, situées au bas de chaque côté de la porte du congélateur en utilisant le tournevis à cliquet hexagonal de 3/8 po.



#### **MISE EN GARDE** Risque lors du levage de charge

La porte du congélateur est lourde. Utilisez les deux mains pour maintenir la porte avant de la soulever.

- C Soulevez la porte du congélateur et placez-la sur le mécanisme à glissières.

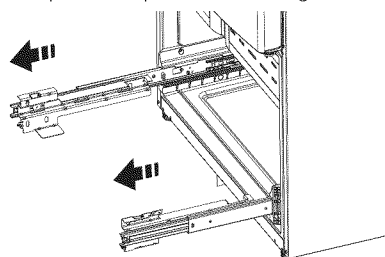


La porte peut reposer en toute sécurité sur le fond. Ne posez pas la porte sur toute autre surface pour éviter les rayures.

Repoussez le mécanisme à glissières complètement jusqu'à ce qu'il se rétracte automatiquement.

### 7 REINSTALLATION DE LA PORTE DU CONGÉLATEUR

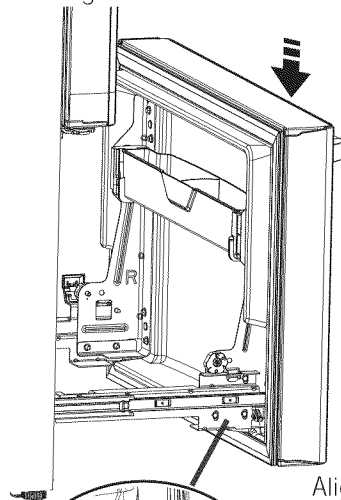
- A Tirez simultanément avec les deux mains sur le mécanisme à glissières jusqu'à extension complète.
- B Retirez le panier reposant sur les glissières.



#### **MISE EN GARDE** Risque lors du levage de charge

La porte du congélateur est lourde. Utilisez les deux mains pour maintenir la porte avant de la soulever.

- C Soulevez la porte du congélateur et placez-la sur le mécanisme à glissières.



Alignez et insérez la languette sur le support de la porte du congélateur dans la fente du support du mécanisme à glissières du congélateur.

- D Remettez les vis de fixation en place et serrez-les au couple de 65 po-lb.
- E Pour ajuster les écarts au niveau de la porte du congélateur, suivez les instructions données en page 27.
- F Remettez le panier en place.

# Instructions d'installation

## INSTALLATION DU RÉFRIGÉRATEUR (suite)

### Instructions concernant l'ajustement des écarts de la porte du congélateur :

#### IMPORTANT!

Les 6 vis de montage (3 de chaque côté) ne sont PAS interchangeables avec les vis de la charnière centrale ou supérieure. Après l'installation de la porte du congélateur, vérifiez que les écarts sont uniformes (le haut et le bas des côtés gauche et droit) à l'aide du gabarit fourni.

Si des écarts trop importants sont observés, suivez les étapes suivantes pour ajuster la porte du congélateur.

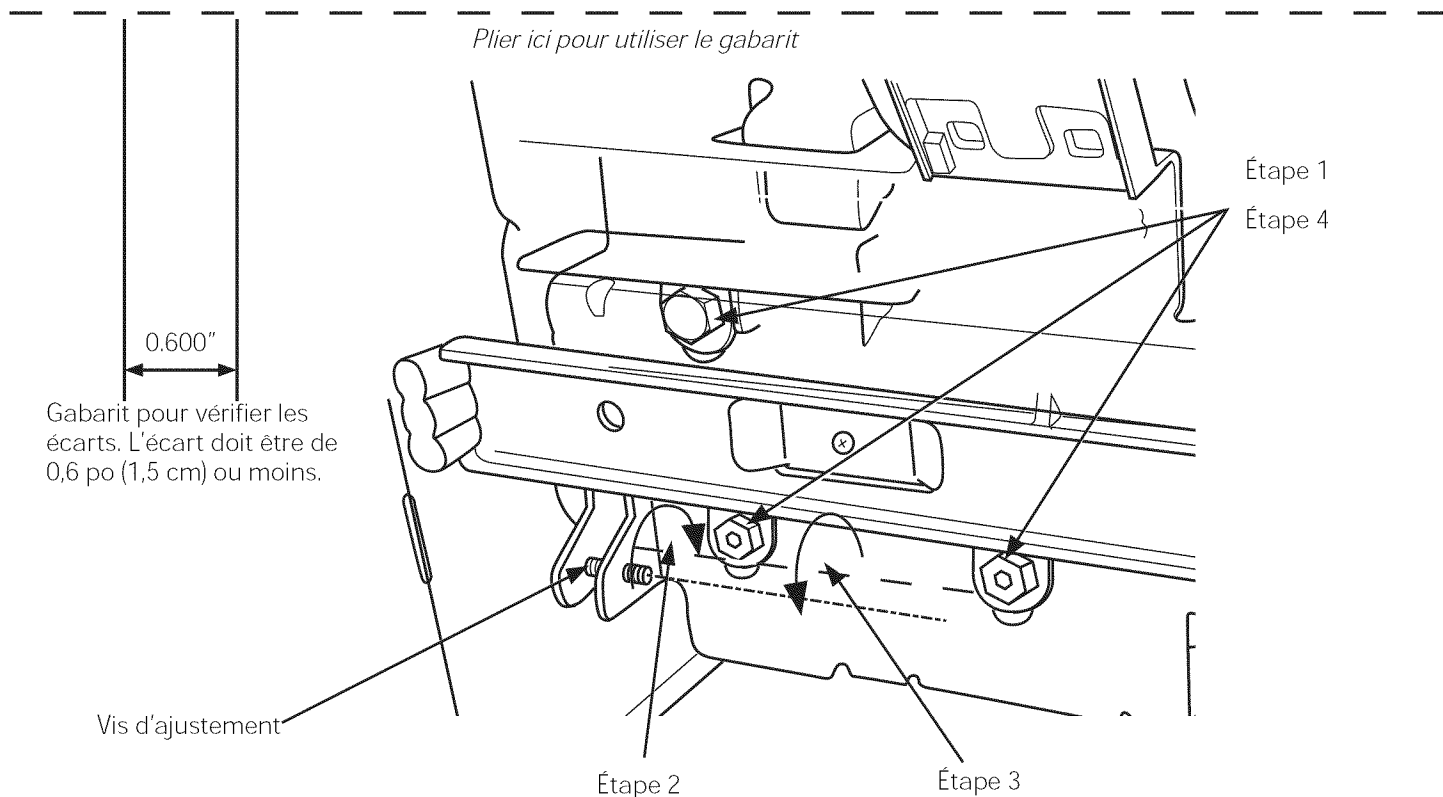
**Étape 1** - Desserrez les 3 vis de chaque côté (droit et gauche) de la porte du congélateur.

**Étape 2** - Tournez la vis d'ajustement dans le sens des aiguilles si l'écart dans le haut est trop important (voir le gabarit). À l'aide d'une clé hexagonale de 3/32 po, tournez la vis d'ajustement dans le sens des aiguilles sur un quart à un demi-tour.

**Étape 3** - Tournez la vis d'ajustement dans le sens contraire des aiguilles si l'écart dans le bas est trop important (voir le gabarit). À l'aide d'une clé hexagonale de 3/32 po, tournez la vis d'ajustement dans le sens contraire des aiguilles sur un quart à un demi-tour.

**Étape 4** - Serrez les 3 vis de chaque côté (droit et gauche).

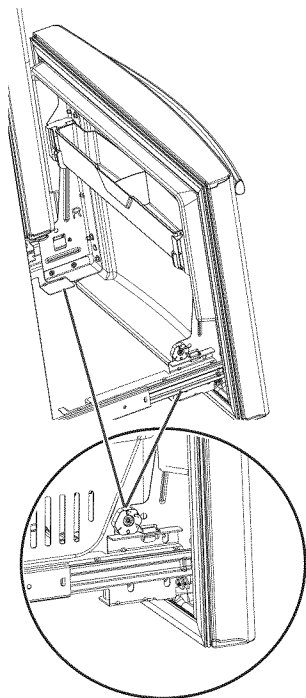
**Étape 5** - Vérifiez les écarts de nouveau à l'aide du gabarit et répétez les étapes 1 à 4 s'il y a lieu et terminez par l'étape 5.



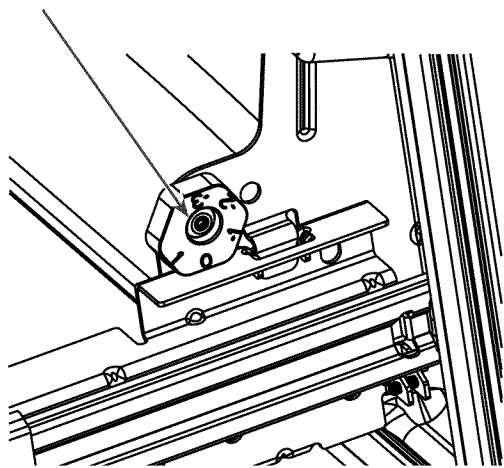
# Instructions d'installation

## INSTALLATION DU RÉFRIGÉRATEUR (suite)

### 8 MISE À NIVEAU DE LA PORTE DU CONGÉLATEUR

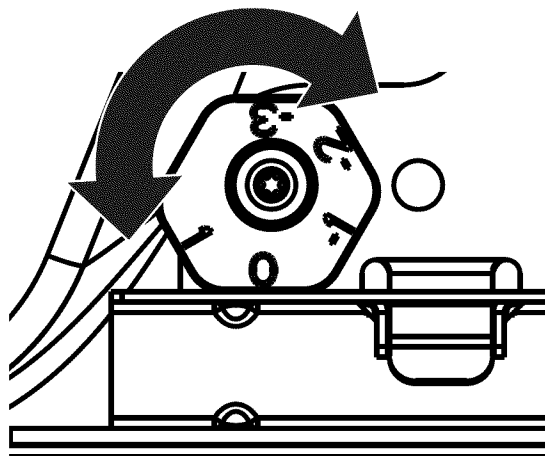


- A** Localisez la came de réglage de la hauteur dans la porte du congélateur. Desserrez les trois vis de fixation de la porte sur les deux glissières à l'aide d'un tournevis à cliquet hexagonal de 3/8 po.
- B** Localisez et desserrez la vis à came en utilisant le tournevis T-27.



### 9 MISE À NIVEAU DE LA PORTE DU CONGÉLATEUR (suite)

- A** Soulevez la porte sur le côté nécessitant un réglage, faites tourner la came jusqu'à la position requise.



- 0 – Position initiale  
1 – Lever de 0,050 po  
-1 – Abaisser de 0,050 po  
-2 – Abaisser de 0,100 po  
-3 – Abaisser de 0,150 po

- B** Une fois le réglage terminé, resserrez les 3 vis de fixation jusqu'à un couple de 65 po-lb.

### 10 RETRAIT DE L'EMBALLAGE

- A) Retirez les bandes adhésives, les emballages en mousse et les protections des clayettes et des tiroirs.

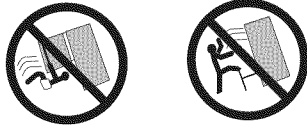


# Instructions d'installation

# SYSTÈME ANTI-BASCULEMENT

## Modèle PYE, PWE seulement

**AVERTISSEMENT**  Risque de basculement.



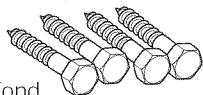
Les modèles encastrés (modèles PYE, CYE, GYE, PWE, CWE, et ZWE) sont plus lourds au niveau de leur partie supérieure, surtout avec les portes ouvertes. Ces modèles doivent être fixés à l'aide du système anti-basculément par fixation au sol pour éviter que l'appareil ne bascule vers l'avant, ce qui pourrait entraîner des blessures graves, voire mortelles. Lisez et suivez les instructions d'installation complètes pour l'installation du système anti-basculément par fixation au sol livré avec votre réfrigérateur.

### REMARQUE :

Si vous n'avez pas reçu de système anti-basculément par fixation au sol avec votre achat, appelez le 1.800.626.8774 pour en recevoir un gratuitement. (Au Canada, appelez le 1.800.561.3344).

Pour les instructions d'installation du système consultez le site : [www.GEAppliances.com](http://www.GEAppliances.com). (Au Canada, [www.GEAppliances.ca](http://www.GEAppliances.ca))

### MATÉRIEL DONT VOUS POUVEZ AVOIR BESOIN (non inclus)



Tire-fond  
¼ po (6 mm) x 1 - ½ po (38 mm)  
Mèche adaptée aux ancrages



Manchons d'ancrage  
½ po (12 mm) de diamètre externe

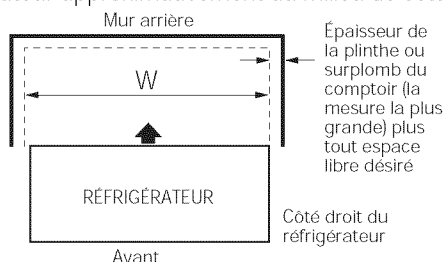
Uniquement pour les systèmes anti-basculément par fixation au sol en BÉTON

### AT-1 MESURE DE L'OUVERTURE DISPONIBLE COMPARÉE A LA LARGEUR DU RÉFRIGÉRATEUR

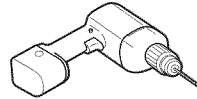
Mesurez W, la largeur de l'ouverture dans laquelle vous voulez mettre votre réfrigérateur.

Assurez-vous de tenir compte de tout surplomb du comptoir, de l'épaisseur de la plinthe et de tout espace libre désiré.

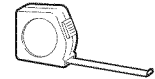
La largeur W doit être supérieure à 36 pouces. Vous devez placer le réfrigérateur approximativement au milieu de cette ouverture.



### OUTILLAGE NÉCESSAIRE



Mèche de 1/8 po (3 mm) et  
Perceuse manuelle ou électrique



Mètre



Crayon

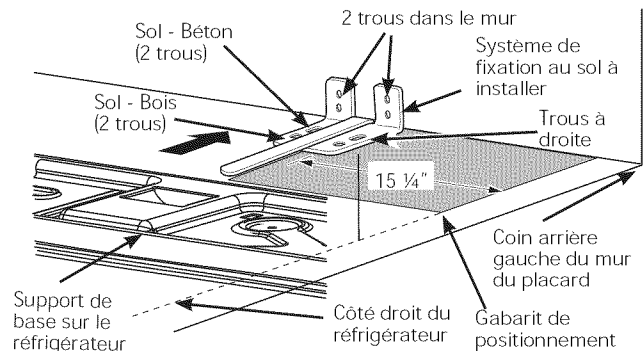


Tournevis à douille 5/16 po  
(8 mm)

### AT-2 POSITIONNEMENT DU SYSTÈME ANTI-BASCULEMENT PAR FIXATION AU SOL

- A** Placez le gabarit de positionnement du système anti-basculément par fixation au sol (fourni dans la trousse anti-basculément) sur le sol contre le mur arrière, à l'intérieur de W, et en ligne avec l'emplacement souhaité pour le côté droit du réfrigérateur (voir figure 1).

Figure 1 – – Vue d'ensemble de l'installation



- B** Placez le système anti-basculément par fixation au sol sur le gabarit de positionnement avec ses trous au sol de droite alignés aux trous au sol indiqués sur le gabarit, à approximativement 15 ¼ po du bord du gabarit ou du côté droit du réfrigérateur.

- C** Maintenez en position et utilisez le système anti-basculément par fixation au sol comme gabarit pour marquer les trous en vous basant sur votre configuration et la catégorie de construction indiquée dans l'étape 3. Marquez l'emplacement des trous avec un crayon, un clou ou un poinçon.

### REMARQUE :

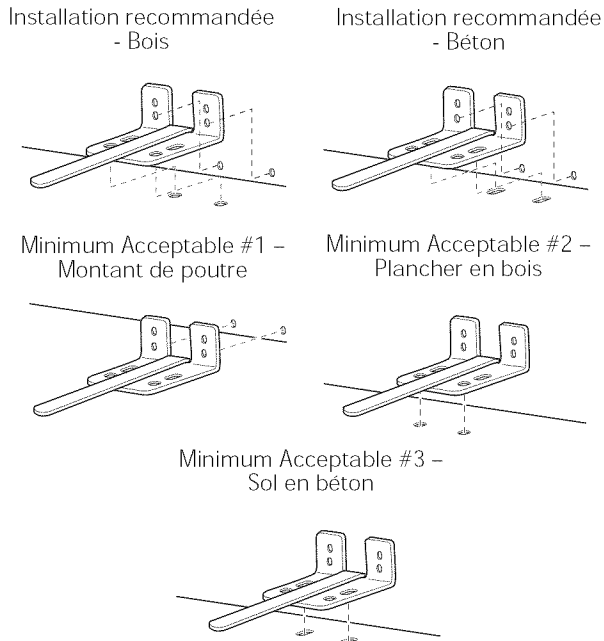
- Il est OBLIGATOIRE d'utiliser au moins 2 vis pour fixer le système de fixation au sol (un de chaque côté du système anti-basculément par fixation au sol). Les deux doivent entrer dans le mur ou dans le sol. La figure 2 indique toutes les configurations acceptables de montage pour ces vis. Identifiez les trous de vis sur le système anti-basculément par fixation au sol pour votre configuration.

# Instructions d'installation

## INSTALLATION DU RÉFRIGÉRATEUR (suite)

### AT-2 POSITIONNEMENT DU SYSTÈME ANTI-BASCULEMENT PAR FIXATION AU SOL (suite)

Figure 2 – Emplacements acceptables pour les vis



### B Mur et plancher en BETON :

- Ancrages nécessaires (non fourni) :  
4 tire-fond d' 1/4 po (6 mm) x 1- 1/2 po (38 mm) 4 manchons d'ancrage d' 1/2 po (12 mm) de diamètre externe
- Percez les trous de taille recommandées pour les ancrages dans le béton au centre des trous marqués dans l'étape 2.
- Placez les manchons d'ancrage dans les trous percés. Placez la fixation de sol anti-basculement comme indiquée à l'étape 2. Retirez le gabarit de positionnement du sol.
- Installez les tire-fond à travers la fixation de sol anti-basculement et serrez correctement.

### C Mur en BOIS et sol CARRELE :

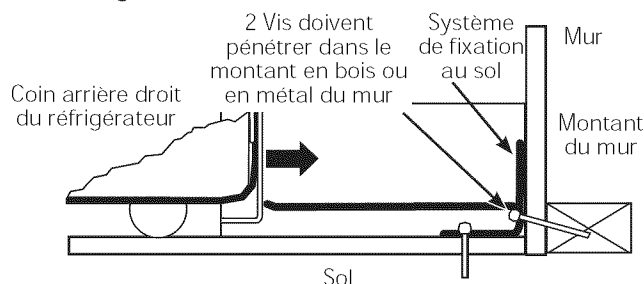
- Pour ce cas particulier, localisez les 2 trous sur le mur identifié dans la figure 1. Percez diagonalement un trou de guidage de 1/8 po (3 mm) au centre de chaque trou (comme indiqué à la Fig. 3).
- Installez la fixation de sol anti-basculement en utilisant le Minimum Acceptable #1, comme illustré dans la Fig. 2.

### AT-3 INSTALLATION DU SYSTÈME ANTI-BASCULEMENT

#### A Mur et plancher en BOIS :

- Percez le nombre approprié de trous de guidage de 1/8 po au centre de chaque trou pour la fixation de sol utilisé (vous pouvez utiliser un clou ou un poinçon si vous n'avez pas de perceuse) ET enlevez le gabarit du sol.
- Montez la fixation de sol anti-basculement en vissant fermement les 2 ou 4 (recommandé) vis à tête hexagonale, n° 10-16 comme illustré à la figure 3.

Figure 3 – Fixation au mur et au sol



### AT-4 POSITIONNEMENT DU RÉFRIGÉRATEUR POUR L'ENGAGER DANS LE SYSTÈME ANTI-BASCULEMENT

- A** Avant de mettre le réfrigérateur dans son emplacement final, branchez le cordon d'alimentation dans la prise de courant et raccordez l'eau (si nécessaire). Vérifiez qu'il n'y a pas de fuite.
- B** Trouvez le côté droit du réfrigérateur et faites le reculer jusqu'à ce qu'il soit approximativement aligné avec le côté droit de l'ouverture W. Cette manœuvre devrait positionner le système anti-basculement pour que celui-ci s'accroche à la base anti-basculement du réfrigérateur
- C** Faites doucement rouler le réfrigérateur dans l'ouverture jusqu'à ce qu'il s'arrête. Vérifiez que l'avant du réfrigérateur s'aligne avec la façade des placards. Dans le cas contraire, faites délicatement basculer le réfrigérateur vers l'avant et vers l'arrière jusqu'à ce que le système anti-basculement soit engagé et que vous remarquiez que le réfrigérateur est complètement poussé contre le mur du fond
- D** Si nécessaire : Réglez la hauteur des roulettes arrière (et avant) de manière à engager complètement le système anti-basculement, tout en alignant l'avant du réfrigérateur à l'avant des placards.

**REMARQUE :** Si vous faites sortir le réfrigérateur en le tirant et l'écartez du mur pour une raison quelconque, assurez-vous de bien engager le système anti-basculement quand vous repoussez le réfrigérateur contre le mur du fond.

# Instructions d'installation

## INSTALLATION DU RÉFRIGÉRATEUR (suite)

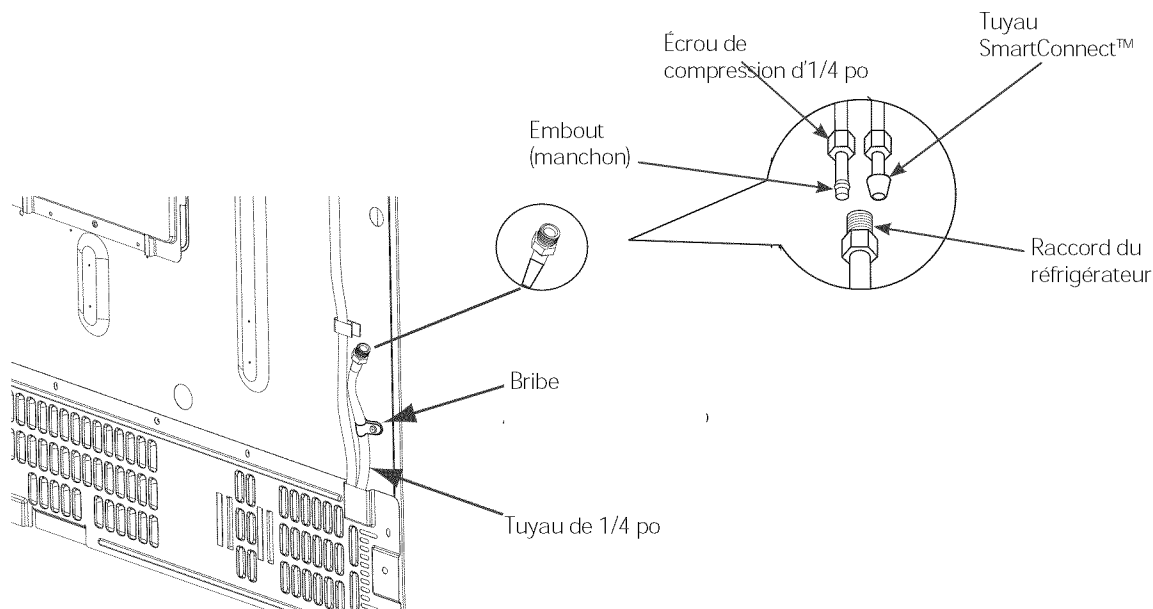
### 11 RACCORDEMENT DU RÉFRIGÉRATEUR À LA CONDUITE D'EAU DE LA MAISON

Une alimentation d'eau froide est requise pour faire fonctionner la machine à glaçons automatique. Vous devrez en fournir une si elle n'existe pas. Consultez la section « Installation de l'alimentation en eau ».

#### REMARQUES :

- Avant de raccorder la conduite d'eau au réfrigérateur, assurez-vous que le cordon d'alimentation électrique du réfrigérateur n'est pas branché à la prise murale.
- Si votre réfrigérateur n'est pas équipé de filtre à eau, nous recommandons d'en monter un si votre alimentation d'eau contient du sable ou des particules qui peuvent boucher la grille du robinet d'eau du réfrigérateur. Installez le dans la conduite d'alimentation d'eau froide près du réfrigérateur. Si vous utilisez une trousse GE SmartConnect™ Refrigerator Tubing, vous aurez besoin d'un tuyau supplémentaire (WX08X10002) pour brancher le filtre. Ne coupez pas le tuyau en plastique pour installer le filtre.
- Avant de raccorder la conduite d'eau à la maison, purgez la ligne de la maison pendant au moins 2 minutes.

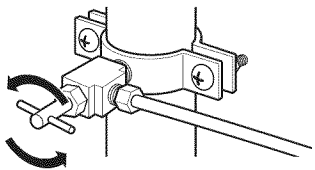
- A** Si vous utilisez un tuyau de cuivre, placez un écrou de compression et une bague (manchon) à l'extrémité du tuyau qui vient de l'alimentation d'eau froide de la maison. Si vous utilisez le tuyau GESmartConnect™, les écrous sont déjà assemblés au tuyau.
- B** Si vous utilisez un tuyau de cuivre, insérez aussi loin que possible l'extrémité du tuyau dans le raccord à l'arrière du réfrigérateur. Tout en tenant le tuyau, serrez le raccord. Si vous utilisez un tuyau GE SmartConnect™, insérez l'extrémité moulée du tuyau dans le raccord à l'arrière du réfrigérateur, puis serrez l'écrou à compression à la main. Serrez ensuite d'un autre tour à l'aide d'une clé. Des fuites peuvent survenir si l'écrou est trop serré.
- C** Fixez le tuyau dans le collier de serrage fourni pour le maintenir en position. Vous aurez peut être besoin d'écarter la bride.



# Instructions d'installation

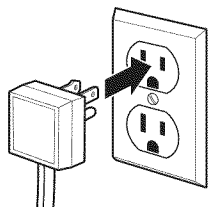
## INSTALLATION DU RÉFRIGÉRATEUR (suite)

### 12 OUVRIR L'ALIMENTATION EN EAU



Ouvrez l'alimentation d'eau au niveau du robinet d'arrêt (alimentation en eau de la maison) et vérifiez qu'il n'y a pas de fuite.

### 13 BRANCHEMENT DU CORDON D'ALIMENTATION DU RÉFRIGÉRATEUR



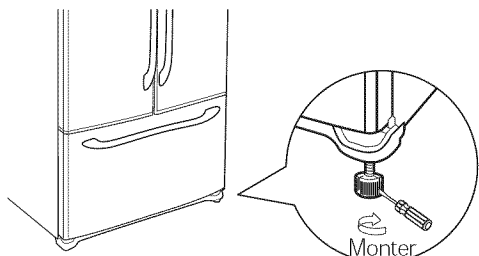
Veuillez lire les informations de mise à la terre fixées au cordon d'alimentation.

### 14 MISE À NIVEAU DU RÉFRIGÉRATEUR

Les pieds de mise à niveau servent :

- 1) à ajuster le réfrigérateur pour que celui-ci soit correctement positionné sur le sol et ne vacille pas
- 2) de frein pour stabiliser le réfrigérateur pendant son utilisation et son nettoyage. Les pieds de mise à niveau permettent aussi d'empêcher le réfrigérateur de basculer.

- A** Tournez les pieds de mise à niveau dans le sens des aiguilles d'une montre pour relever le réfrigérateur et dans le sens inverse des aiguilles d'une montre pour l'abaisser.

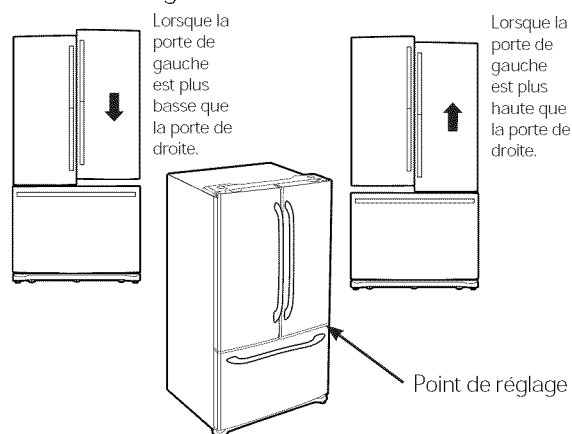


Tournevis à tête plate

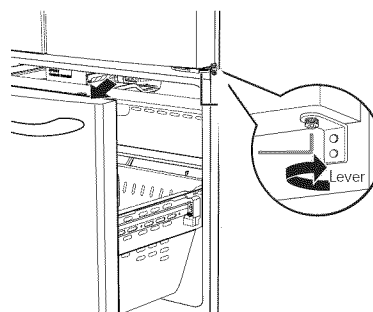
**REMARQUE :** Pour éviter tout dommage matériel, les pieds de mise à niveau doivent bien reposer sur le sol.

### 15 MISE À NIVEAU DES PORTES DU RÉFRIGÉRATEUR

Rappelez-vous qu'il est nécessaire que le réfrigérateur soit de niveau pour que les portes soient parfaitement de niveau. Si vous avez besoin d'aide, consultez la section précédente sur la mise à niveau du réfrigérateur.



- A** Si vous ouvrez la porte du congélateur, vous verrez la charnière centrale.
- B** Insérez une clé Allen d'1/4 po dans l'axe de la charnière centrale.
- C** Ajustez la hauteur en tournant dans le sens des aiguilles d'une montre ou dans le sens inverse des aiguilles d'une montre. Lorsque vous tournez dans le sens inverse des aiguilles d'une montre, la porte se déplace vers le haut.

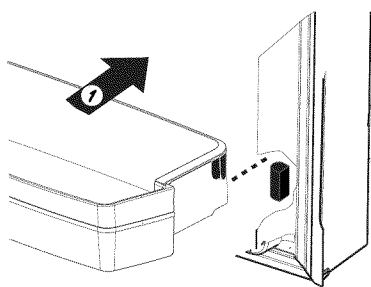
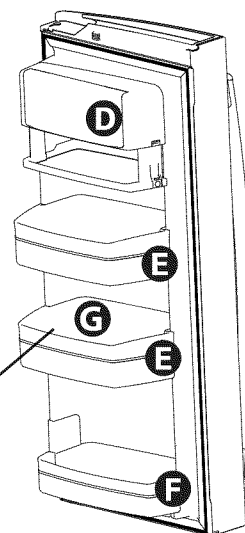
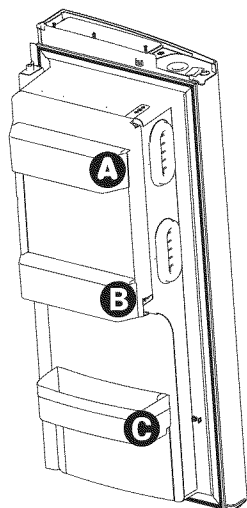
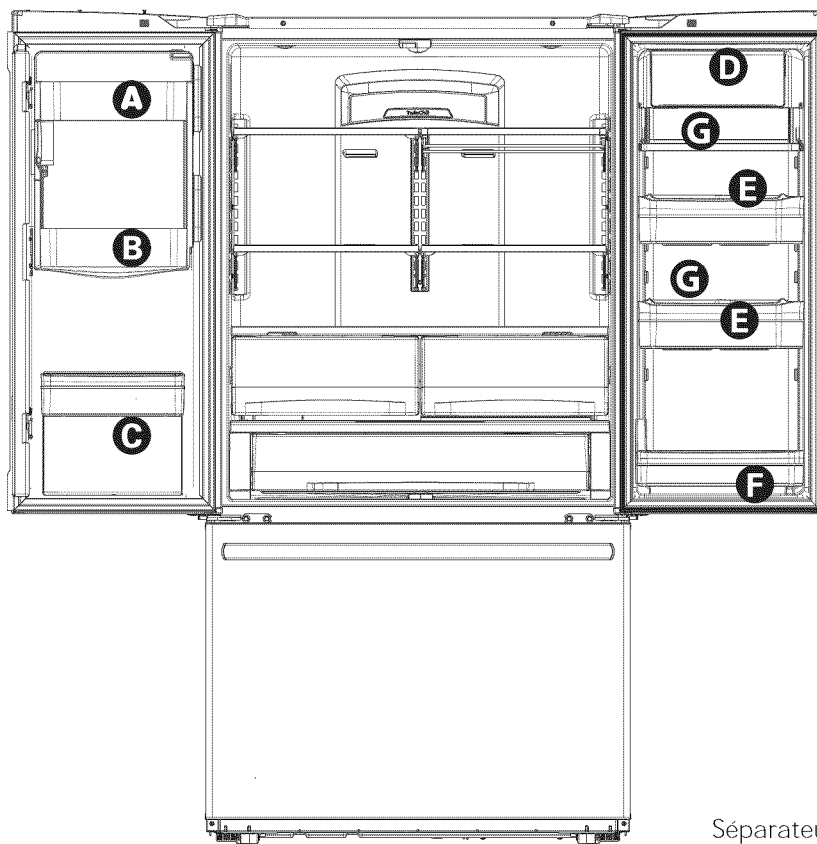
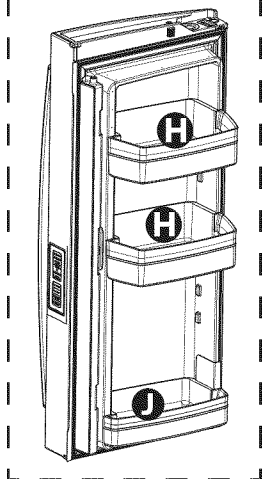


# Instructions d'installation

## INSTALLATION DU RÉFRIGÉRATEUR (suite)

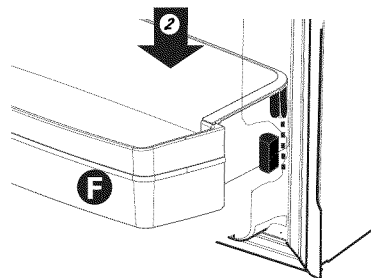
Modèles sans distributeur

Instructions de montage du réfrigérateur (suggestion).

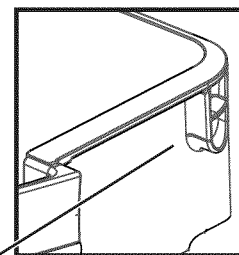


Pour positionner les bacs dans les portes :

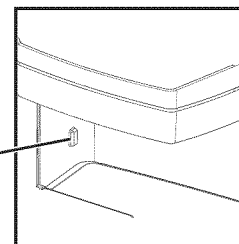
1 Faites correspondre votre bac avec la lettre indiquée. Positionnez les crochets du bac sur le repère et le pousser en avant jusqu'à insertion complète.



2 Appuyez sur le bac jusqu'à ce qu'il soit bien encastré dans sa position finale.



Crochet de bac arrière de chaque côté



Repère du bac de chaque côté

# Instructions d'installation

## INSTALLATION DE LA CONDUITE D'EAU

### AVANT DE COMMENCER

Nous recommandons les trousse d'alimentation d'eau en cuivre WX8X2, WX8X3, WX8X4, selon la longueur de tuyau dont vous avez besoin.

Nous approuvons les conduites d'eau en matière plastique GE SmartConnect™ Refrigerator Tubing (WX08X10006, WX08X10015 et WX08X10025).

Si vous installez un système d'eau à osmose inverse GE dans votre réfrigérateur, la trousse GE RVKIT est la seule installation approuvée. Pour les autres systèmes à osmose inverse, suivez les recommandations du fabricant.

Si l'alimentation d'eau du réfrigérateur provient d'un système de filtration de l'eau par osmose inverse (OI) ET si votre réfrigérateur est équipé d'un filtre à eau, utilisez le bouchon de dérivation du filtre du réfrigérateur. En cas d'utilisation de la cartouche de filtration d'eau du réfrigérateur associée à un filtre à OI peut produire des glaçons creux.

L'installation de cette conduite d'eau n'est pas garantie par le fabricant du réfrigérateur ou de la machine à glaçons. Suivez attentivement ces instructions afin de minimiser le risque de fuite d'eau et de dommages onéreux.

Les coups de bélier (coups dans les tuyaux) dans la tuyauterie de la maison peuvent endommager les pièces de votre réfrigérateur et provoquer des fuites d'eau ou des inondations. Appelez un plombier certifié pour corriger les coups de bélier avant de brancher l'alimentation en eau au réfrigérateur.

Pour prévenir les brûlures et éviter d'endommager votre produit, ne branchez pas le tuyau d'eau à une conduite d'eau chaude.

**Pour les modèles PFE27 et PYE23K :** Si le réfrigérateur est mis en marche avant que l'alimentation d'eau ne soit raccordée à la machine à glaçons, maintenez enfoncés les boutons CRUSHED (Pilée) et CUBED (En cubes) simultanément pendant 3 secondes pour désengager la machine à glaçons. Une fois le réfrigérateur raccordé à l'alimentation d'eau, maintenez enfoncés les boutons CRUSHED (Pilée) et CUBED (En cubes) simultanément pendant 3 secondes pour réengager la machine à glaçons.

**Pour les modèles non LCD :** Si le réfrigérateur est mis en marche avant que l'alimentation d'eau ne soit raccordée à la machine à glaçons, enfoncez puis relâchez le bouton ICE MAKER (Machine à glaçons) du panneau de commande pour désengager la machine à glaçons. Une fois le réfrigérateur raccordé à l'alimentation d'eau, enfoncez puis relâchez le bouton ICE MAKER (Machine à glaçons) du panneau de commande pour réengager la machine à glaçons.

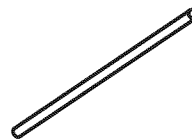
**Pour les modèles PFE29 et PYE23P :** Si le réfrigérateur est mis en marche avant le raccordement de l'alimentation d'eau à la machine à glaçons, voir ICE MAKER (machine à glaçons) sous le menu SETTINGS (Réglages) de la section LCD Operations (Opérations LCD) et suivre les commandes à l'écran pour éteindre l'appareil (OFF).

Ne pas installer la tubulure de la machine à glaçons à des endroits où la température baisse sous le point de congélation.

Lors de l'utilisation d'un appareil électrique (tel qu'une perceuse) durant l'installation, s'assurer que celui-ci est doublement isolé et qu'il est mis à la terre de façon à prévenir les chocs électriques, ou qu'il est alimenté par batterie.

Toutes les installations doivent être conformes aux codes de plomberie locaux.

### PIÈCES NÉCESSAIRES



- Tuyaux en cuivre ou trousse GE SmartConnect™ Refrigerator Tubing, diamètre extérieur d'1/4 po pour brancher le réfrigérateur à l'alimentation d'eau. Si vous utilisez un tuyau en cuivre, les deux extrémités du tuyau doivent être coupées bien droit.

Pour déterminer la longueur de tuyau dont vous avez besoin : mesurez la distance entre le robinet d'eau à l'arrière du réfrigérateur et le tuyau d'alimentation en eau. Assurez-vous d'avoir une longueur de tuyau suffisante pour permettre d'éloigner le réfrigérateur du mur après l'installation.

Les trousse de tuyauterie pour réfrigérateur GE SmartConnect™ sont disponibles dans les longueurs suivantes :

8 pi (2,4 m) - WX08X10006

15 pi (4,6 m) - WX08X10015

25 pi (7,6 m) - WX08X10025

# Instructions d'installation

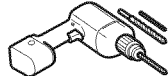
## INSTALLATION DE LA CONDUITE D'EAU (suite)

### PIÈCES NÉCESSAIRES (suite)

**REMARQUE :** Les seuls tuyaux en plastique autorisés par GE sont fournis avec la trousse GE SmartConnect™ Refrigerator Tubing. N'utilisez pas d'autres tuyaux d'alimentation d'eau en plastique, cette ligne étant sous pression en permanence. Certains types de plastique peuvent se fissurer ou se rompre avec le vieillissement et causer des dégâts d'eau dans votre maison.

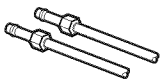
- Vous pouvez vous procurer une trousse GE de branchement à l'alimentation d'eau (contenant tuyau, robinet, raccords et instructions) auprès de votre fournisseur ou au Centre de Pièces Détachées et d'Accessoires, au 800.626.2002 (au Canada, 1.800.661.1616).

- Alimentation en eau froide La pression de l'alimentation d'eau doit être entre 20 et 120 psi (1,4 à 8,1 bar).

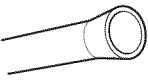
- Perceuse électrique. 

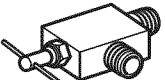
- Clé d'1/2 po ou clé réglable

- Un tournevis à tête plate et un tournevis cruciforme.

- Deux écrous à compression d'un diamètre extérieur de 1/4 po et deux bagues (manchons)—pour brancher le tuyau en cuivre au robinet d'arrêt et au robinet d'eau du réfrigérateur. 

- Si vous utilisez une trousse GE SmartConnect™ Refrigerator Tubing, les raccords nécessaires sont déjà assemblés au tuyau.

- Si votre canalisation d'eau actuelle en cuivre est équipée d'un raccord évasé à une extrémité, vous aurez besoin d'un adaptateur (que vous trouverez dans votre magasin de matériel de plomberie) pour brancher le tuyau d'eau au réfrigérateur, **OU BIEN** vous pouvez couper le raccord évasé à l'aide d'un coupe-tube, puis utiliser un raccord à compression. Ne coupez jamais l'extrémité finie d'un tuyau de la trousse GE SmartConnect™ Refrigerator Tubing. 

- Robinet d'arrêt pour brancher le tuyau d'eau froide. Le robinet d'arrêt doit avoir une entrée d'eau avec un diamètre intérieur minimal de 5/32 po au point de jonction avec le TUYAU D'EAU FROIDE. Des robinets d'arrêt de type vanne à étrier sont souvent inclus dans les trousse d'alimentation d'eau. Avant d'en acheter, assurez-vous que ce type de robinet est conforme à vos codes de plomberie locaux. 

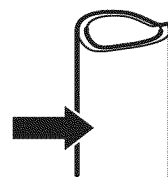
Installez le robinet d'arrêt sur la canalisation d'eau potable la plus proche.

### 1 FERMETURE DE L'ALIMENTATION D'EAU PRINCIPALE

Ouvrez le robinet le plus proche pour purger l'eau des tuyauteries.

### 2 OUVREZ LE ROBINET LE PLUS PROCHE POUR PURGER L'EAU DES TUYAUTERIES.

Choisissez un emplacement pour le robinet qui soit facilement accessible. Il est préférable de se connecter sur le côté d'un tuyau vertical. Si vous devez vous connecter à un tuyau horizontal, faites le branchement vers le haut ou sur le côté, plutôt qu'en bas du tuyau pour éviter de recevoir des sédiments provenant de la conduite d'eau.

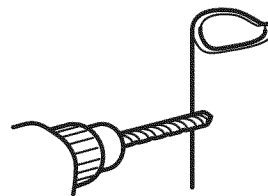


### 3 PERÇAGE D'UN TROU POUR LE ROBINET

Percez un trou de 1/4 po dans le tuyau d'eau, à l'aide d'un foret dur, même si vous utilisez un robinet auto-forant. Enlevez toutes les bavures dues au perçage du trou dans le tuyau.

Veillez à ne pas laisser l'eau couler dans votre perceuse.

Si vous ne percez un trou d' 1/4 po, votre production de glace ainsi que la taille des glaçons seront réduites.

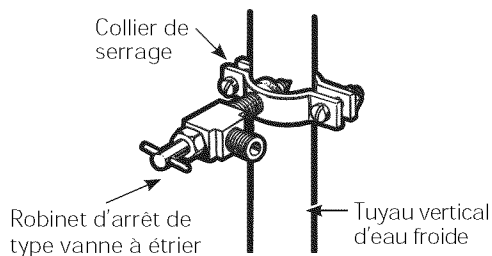


# Instructions d'installation

## INSTALLATION DE LA CONDUITE D'EAU (suite)

### 4 FIXATION DU ROBINET D'ARRÊT

Fixez le robinet d'arrêt à la canalisation d'eau froide à l'aide du collier de serrage.

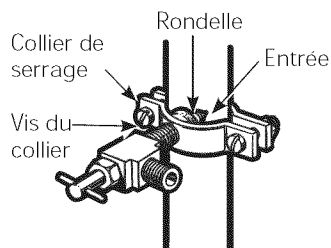


**REMARQUE :** L'installation sera conforme aux codes de plomberie 248CMR du Commonwealth du Massachusetts. L'utilisation de robinets-vannes à étrier sont interdites au Massachusetts. Demandez l'avis de votre plombier qualifié.

### 5 SERRAGE DU COLLIER

Serrez les vis du collier jusqu'à ce que la rondelle d'étanchéité commence à enfler.

**REMARQUE :** Ne serrez pas trop, vous risquez d'écraser le tuyau.



### 6 PASSAGE DU TUYAU

Faites passer le tuyau entre la conduite d'eau froide et le réfrigérateur.

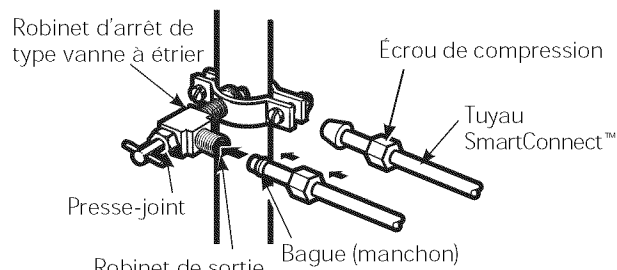
Faites passer le tuyau par un trou percé dans le mur ou le plancher (derrière le réfrigérateur ou au niveau du placard adjacent) aussi près du mur que possible.

### 7 BRANCHEMENT DU TUYAU AU ROBINET

Placez un écrou de compression et une bague (manchon) à l'extrémité du tuyau et branchez-les au robinet d'arrêt.

Assurez-vous que le tuyau soit bien inséré dans le robinet. Serrez bien l'écrou de compression.

Pour le tuyau en matière plastique d'une trousse GE SmartConnect™ Refrigerator Tubing, insérez l'extrémité moulée du tuyau dans le robinet d'arrêt et serrez l'écrou de compression à la main, puis serrez d'un tour supplémentaire avec une clé. Des fuites peuvent survenir si l'écrou est trop serré.

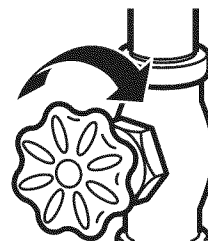


**REMARQUE :** L'installation sera conforme aux codes de plomberie 248CMR du Commonwealth du Massachusetts. L'utilisation de robinets-vannes à étrier sont interdites au Massachusetts. Demandez l'avis de votre plombier qualifié.

### 8 PURGE DU TUYAU

Ouvrez le robinet d'alimentation principale d'eau et purgez le tuyau jusqu'à ce que l'eau soit claire.

Fermez l'eau au niveau du robinet d'eau après écoulement d'environ 1 litre (1 quart) d'eau par le tuyau ou au bout de 2 minutes.



Pour terminer l'installation du réfrigérateur, retournez à l'étape 11 de la section Installation du réfrigérateur.





Les réfrigérateurs plus récents font des bruits différents de ceux des anciens. Les réfrigérateurs modernes proposent plus de fonctions et sont plus avancés sur le plan technologique.

**Entendez-vous ce que j'entends ? Ces conditions sont normales.**

**HUMMM...  
OUUCH...**

- Le nouveau compresseur à rendement élevé peut fonctionner plus longtemps et plus vite que votre ancien réfrigérateur et vous pouvez entendre un son modulé ou un ronflement aigu pendant son fonctionnement.
- Vous entendrez peut-être un sifflement lorsque les portes se ferment.
- Ceci est dû à l'équilibrage de la pression dans le réfrigérateur. Après distribution de glace, un moteur ferme la goulotte de glace pour empêcher l'air tiède ambiant d'entrer dans le seau à glace, permettant ainsi de maintenir la glace à une température en dessous de zéro.

Le ronronnement du moteur fermant la goulotte de glaçons est normal, quelques instants après la distribution de glace.

**WHIR!**



- Vous pouvez entendre les ventilateurs tourner à hautes vitesses. Cela se produit lorsque le réfrigérateur vient d'être branché, lorsque les portes sont ouvertes fréquemment ou lors de l'ajout d'une grande quantité d'aliments dans le réfrigérateur ou le congélateur. Les ventilateurs permettent de maintenir les bonnes températures.
- La vitesse des ventilateurs varie pour fournir un refroidissement et une économie d'énergie optimum.

## CLICS, CRAQUEMENTS ET CLAQUEMENTS

- Vous entendrez peut-être des craquements ou des bruits secs lorsque le réfrigérateur vient d'être branché. Ceci se produit lorsque le réfrigérateur se refroidit pour atteindre la bonne température.
- L'expansion et la contraction des serpentins de refroidissement pendant et après le dégivrage peuvent provoquer des craquements ou des claquements.
- Sur les modèles équipés d'une machine à glaçons, après un cycle de fabrication de glaçons, vous entendrez les glaçons tomber dans le seau à glace.
- Sur les modèles équipés d'un distributeur, au cours de la distribution d'eau, vous entendrez peut-être le déplacement des tuyaux d'eau au début de la distribution et après avoir relâché le bouton du distributeur.

## BRUITS D'EAU



- La circulation du liquide frigorigène dans le système provoque parfois des gargouillements comme de l'eau en ébullition.
- L'eau qui tombe sur le chauffage de dégivrage peut parfois provoquer des crépitements, des bourdonnements pendant le cycle de dégivrage.
- Vous entendrez peut-être des bruits de ruissellement pendant le cycle de dégivrage quand la glace sur l'évaporateur fond et coule dans le bac collecteur.
- La fermeture de la porte peut provoquer un gargouillement dû à l'équilibrage de la pression.

## REFROIDISSEMENT AU DÉMARRAGE

24 heures peuvent être nécessaires pour que les températures dans le réfrigérateur et le congélateur correspondent à celles affichées à l'écran. Pendant ce temps, il est préférable de réduire au maximum l'ouverture des portes du réfrigérateur et du congélateur.

### CONSEILS

- Le congélateur se refroidit en premier.
- Le compartiment de réfrigération se refroidit en dernier, cela peut prendre plusieurs heures après le congélateur.
- En éteignant la machine à glaçons, les aliments dans le congélateur et le réfrigérateur se refroidissent plus rapidement.

## Avant d'appeler à un réparateur...



*Conseils de dépannage  
Économisez du temps et de l'argent ! Consultez d'abord les  
tableaux dans les pages suivantes pour peut-être éviter de  
faire appel à un technicien.*

| Problème  | Causes Possibles  | Solution   |
|---|---|--|
| A l'écran LCD, le filtre à eau est indiqué comme incorrectement installé ou une fuite est signalée. | Le filtre à eau installé à l'envers ou fuit.  | Vérifiez qu'il n'y a pas de fuite. Si aucune fuite n'est détectée, retirez le filtre/le bouchon de dérivation, retournez le filtre (rotation à 180°) et réinstallez le.  |
| La lumière indicatrice du filtre à eau demeure allumée après que le filtre ait été remplacé.        | L'indicateur du filtre à eau doit être réinstallé.  | <b>Modèles sans écran LCD :</b><br>-Appuyer pendant un moment sur le bouton Réinstaller.<br><b>Modèles avec LCD :</b><br>-Sur l'écran LCD, sélectionner Réglages, puis Filtre à eau. Sélectionner Réinstaller. |
| Le voyant lumineux du filtre à eau reste allumé après le remplacement du filtre                     | L'indicateur de filtre à eau doit être réinitialisé   | Sélectionnez SETTINGS (Paramètres) à l'écran LCD, puis WATER FILTER (Filtre à eau). Sélectionnez RESET (Réinitialiser)   |
| Le voyant lumineux du filtre à eau est éteint   | Ceci est normal. Ce voyant s'allume pour vous signaler que le filtre devra bientôt être remplacé.       | Consultez la section <i>A propos du Filtre à Eau</i> pour de plus amples informations.   |
| La poignée est lâche/Il y a un espace vide au niveau de la poignée.                                 | La poignée doit être ajustée.   | Consultez les sections Fixation de la Poignée du Compartiment de Réfrigération et Fixation de la Poignée du Congélateur pour des instructions détaillées.  |
| Le réfrigérateur bipé   | Il s'agit de l'alarme de la porte   | Arrêtez-la ou désactivez-la avec la porte fermée. Si la porte est ouverte et l'alarme retentit, vous ne pouvez qu'arrêter l'alarme.  |
| Pas de refroidissement  | Le système de refroidissement est éteint  | Consultez la section <i>A propos des commandes</i>   |
| L'eau a un mauvais goût ou une mauvaise odeur*  | Le distributeur d'eau n'a pas été utilisé pendant une longue période.                                   | Tirez de l'eau jusqu'à ce que toute l'eau du système soit remplacée.   |
| L'eau dans le verre est tiède*  | Ceci est normal lorsque le réfrigérateur vient d'être branché   | Attendez 24 heures pour que le réfrigérateur refroidisse complètement  |
|   | Le distributeur d'eau n'a pas été utilisé pendant une longue période                                    | Tirez de l'eau jusqu'à ce que toute l'eau du système soit remplacée.   |
|   | Le système d'eau a été vidangé  | Attendez quelques heures pour que l'eau se refroidisse.  |
| Le distributeur d'eau ne fonctionne pas*  | Le robinet d'eau est fermé ou n'est pas branché.  | Consultez la section <i>Installation de la conduite d'eau</i>  |
|   | Le filtre à eau est bouché ou le filtre/le bouchon de dérivation n'est pas installé                     | Remplacez la cartouche de filtre ou retirez le filtre et installez le bouchon de dérivation.   |
|   | De l'air peut être piégé dans le système d'eau.   | Appuyez sur le bras de distribution pendant au moins 5 minutes.  |
|   | L'eau dans le réservoir est gelée parce que les commandes sont réglées sur une température trop froide. | Réglez la commande du réfrigérateur sur une température plus élevée et attendez 24 heures. Si le distributeur ne donne pas d'eau au bout de 24 heures, contactez un réparateur                                 |
| L'eau jaillit du distributeur*  | La cartouche du filtre vient d'être installée   | Faites couler l'eau du distributeur pendant 5 minutes (environ 2 gallons ou 7,5 litres).   |

\*Certains modèles seulement



## Conseils de dépannage (suite)

| Problème  | Causes Possibles   | Solution   |
|---|--|--|
| Pas de production d'eau ou de glaçons *   | La ligne d'alimentation ou le robinet d'arrêt est bouché   | Appelez un plombier  |
|   | Le filtre à eau est bouché   | Remplacez la cartouche de filtre ou retirez le filtre et installez le bouchon de dérivation.                             |
|   | La cartouche du filtre n'est pas correctement installée  | Retirez et réinstallez la cartouche de filtre, en étant certain qu'elle est bien verrouillée                             |
|   | La machine à glaçons est éteinte   | Vérifier que la machine à glaçons est en marche Consultez la section <i>À propos de la machine à glaçons automatique</i> |
| L'eau jaillit du distributeur*  | L'air est peut être présent dans le système d'alimentation en eau, amenant l'eau à goutter après distribution                          | Distribuez de l'eau pendant au moins 5 minutes pour éliminer l'air du système  |
| Photos non trouvées*  | Les photos ne sont pas dans le répertoire racine de l'USB  | Assurez-vous que les photos sont dans le répertoire racine de votre clé USB  |
|   | Les photos ne sont pas au format JPEG  | Les photos doivent être au format JPEG   |
|   | L'appareil photo/l'ordinateur est utilisé avec le cordon USB   | Vous devez utiliser une clé USB  |
| <b>AUTO FILL</b> (Remplissage automatique) : Remplissage manquant/Pas de remplissage* | Tout récipient ne peut pas servir pour le <b>AUTO FILL</b> (remplissage automatique).  | Essayer un récipient différent   |
|   | <ul style="list-style-type: none"> <li>• Récipient introuvable</li> <li>• Récipient instable</li> <li>• Récipient mal placé</li> </ul> | Voir p.11  |
| Débordements dus au <b>AUTO FILL</b> (remplissage automatique) *                      | Tout récipient ne peut pas servir pour le <b>AUTO FILL</b> (remplissage automatique).  | Essayer un récipient différent   |
| <b>PRECISE FILL</b> (Remplissage précis) ne remplit pas le conteneur *                | C'est normal. <b>PRECISE FILL</b> (Remplissage précis) nécessite l'utilisation d'un bras de distribution                               | Pour une quantité spécifique d'eau, sélectionnez <b>PRECISE FILL</b> (Remplissage précis) pour distribuer de l'eau       |
| Le congélateur refroidit mais pas le compartiment de réfrigération                    | Ceci est normal lorsque le réfrigérateur vient d'être branché ou après une panne d'électricité d'une longue durée.                     | Attendez 24 heures pour que la température dans les deux compartiments atteigne les températures sélectionnées.          |
| Le distributeur de glace s'ouvre après la fermeture du tiroir du congélateur*         | Normal   | La porte du distributeur de glace peut s'ouvrir après la fermeture de la porte du congélateur pour permettre l'accès     |

## ENTRETIEN

Avant de faire appel à un technicien, parcourez les conseils de dépannage donnés dans ce manuel. Si nécessaire, une visite par un technicien de service peut être prévue en nous contactant en ligne sur [GEAppliances.ca](http://GEAppliances.ca) ou par téléphone au 800.561.3344.

### Mythe ou réalité

| Mythe ou réalité ?   | Réponse | Explication   |
|--|---------|---|
| Le filtre à eau du réfrigérateur peut nécessiter un remplacement même si l'indicateur de filtre n'a pas viré au rouge ou indique Filtre Épuisé.  | VRAI    | The water filter indicator will indicate the need to replace the water filter every six months or 170 gallons of water dispensed (select models only). Si le débit d'eau du distributeur ralentit ou si la production de glace diminue, le filtre à eau doit être remplacé, même si l'indicateur de filtre peut ne pas indiquer la nécessité d'un remplacement.   |
| La machine à glaçons automatique dans mon réfrigérateur produira de la glace lorsque le réfrigérateur est branché à une prise secteur.   | MYTHE   | Le réfrigérateur doit être raccordé à une alimentation en eau et la machine à glaçons doit être allumée. Assurez-vous que la machine à glaçons est en marche, mais seulement après avoir raccordé le système à l'alimentation en eau et que celle-ci est ouverte. La machine à glaçons peut être allumée ou éteinte à partir des commandes. Veillez à ce que la machine à glaçons soit en marche, comme indiqué sur le panneau de commande du réfrigérateur. Consultez la section <i>À propos de la machine à glaçons automatique</i> . |
| Une fois que le réfrigérateur est branché à une prise électrique et raccordé à une alimentation en eau, j'aurai immédiatement des quantités illimitées d'eau glacée disponibles au distributeur d'eau. | MYTHE   | Le bac du distributeur d'eau situé à l'intérieur du réfrigérateur sert à stocker l'eau à distribuer. 24 heures sont nécessaires pour que l'eau de ce réservoir soit refroidie après l'installation. Une utilisation trop importante ne permet pas à l'eau de se refroidir.  |
| Après distribution d'une quantité d'eau, la présence de quelques gouttes d'eau est normale.  | VRAI    | Quelques gouttes d'eau peuvent tomber du distributeur après que le bras de distribution ait été relâché. Pour minimiser les pertes, retirez lentement votre verre du distributeur.  |
| Il n'y aura jamais de givre dans le compartiment de congélation.   | MYTHE   | La présence de givre dans le congélateur indique généralement que la porte n'est pas bien fermée ou a été laissée ouverte. En cas de givre, éliminez le l'aide d'une spatule en plastique et d'un torchon. Puis vérifiez qu'aucun aliment ou conteneur empêche la fermeture de la porte du congélateur. Vérifiez sur le panneau de contrôle du réfrigérateur si l'alarme de la porte est activée.   |
| Après installation du réfrigérateur ou après le remplacement de la cartouche filtrante, je dois tirer de l'eau pendant cinq minutes.   | VRAI    | Un réfrigérateur ou un filtre à eau nouvellement installé contient de l'air dans les tuyaux d'eau. Appuyez sur le bras du distributeur pour tirer de l'eau froide pendant au moins 5 minutes pour éliminer l'air du tuyau d'alimentation en eau et rincer le filtre.  |
| Pour remplir le seau à glace jusqu'à sa capacité maximale, je dois distribuer des glaçons environ 12 à 18 heures après l'installation.   | VRAI    | La distribution de 3 ou 4 glaçons, entre 12 heures et 18 heures après l'installation, permet à la glace de se disperser dans le seau à glace. Celui-ci indique à la machine à glaçons de produire des glaçons supplémentaires. Production normale de glaçons = 100 glaçons en 24 heures.  |
| Je peux utiliser le bouchon de dérivation du filtre à eau pour déterminer si le filtre doit être remplacé.   | VRAI    | La réduction de débit du distributeur d'eau ou de la production de glace peut indiquer la nécessité de remplacer le filtre à eau. Installez le bouchon de dérivation du filtre à eau (fourni avec le réfrigérateur), et vérifiez le débit au niveau du distributeur. Si le débit d'eau revient à la normale avec le bouchon de dérivation en place, remplacez le filtre à eau.  |
| La partie supérieure de la porte du réfrigérateur sera toujours alignée.   | MYTHE   | Plusieurs facteurs peuvent affecter l'alignement des portes du compartiment de réfrigération, y compris le sol sur lequel le réfrigérateur est installé et la quantité d'aliment (charge) dans les portes. Si les parties supérieures des portes du compartiment de réfrigération ne sont pas alignées, utilisez une clé Allen de 6,3 mm (1/4 po) pour ajuster les portes gauche et droite. La vis de réglage se trouve sur le côté inférieur gauche ou droit de la porte. Ouvrez la porte du congélateur pour accéder à cette vis.     |

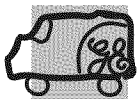
**ENTRETIEN**

Avant de faire appel à un technicien, parcourez les conseils de dépannage donnés dans ce manuel. Si nécessaire, une visite par un technicien de service peut être prévue en nous contactant en ligne sur [GEAppliances.ca](http://GEAppliances.ca) ou par téléphone au 800.561.3344.

**Mythe ou réalité**

| Mythe ou réalité ?  | Réponse | Explication  |
|---|---------|--|
| Les poignées de porte du réfrigérateur peuvent être facilement resserrées.  | VRAI    | Si les poignées de porte sont lâches ou s'il y a un espace vide au niveau de la poignée, celle-ci peut être ajustée à l'aide d'un clé Allen d' 1/8 po sur les vis de réglage situées sur les extrémités des poignées.  |
| Il peut y avoir des problèmes d'odeur et de goût avec votre glace.  | VRAI    | Après la mise en marche de la machine à glaçons, jetez les premières 24 heures de production de glace pour éviter tous problème d'odeur et de goût.  |
| Je peux effectuer des réglages précis des portes du compartiment de réfrigération pour les aligner.                           | VRAI    | Si les portes du compartiment de réfrigération ne sont pas alignées, utilisez une clé Allen d' ¼ po pour ajuster la porte de droite. La vis de réglage est située au bas de les portes gauche et droite. Ouvrez la porte du congélateur pour y accéder.  |
| Les poignées de porte doivent toujours être retirées pour l'installation.   | MYTHE   | Consultez le tableau au verso de ces instructions. Si les portes doivent être retirées ou si le réfrigérateur passe facilement dans les ouvertures, ne retirez pas les poignées. Ajustez les poignées qui sont lâches ou s'il y a un espace vide au niveau de celles-ci, en ajustant les vis de réglage à chaque extrémité des poignées. |
| Les portes doivent toujours être retirées pour l'installation.  | MYTHE   | Consultez le tableau au verso de ces instructions. Les portes doivent uniquement être enlevées lorsque cela est nécessaire pour prévenir les dommages provoqués par des ouvertures trop étroites ou pour accéder à l'emplacement final.  |
| Les portes du réfrigérateur qui ne ferment pas après l'installation peuvent être ajustées pour qu'elles ferment correctement. | VRAI    | Le mécanisme de la porte fonctionne mieux si celle-ci est installée à 90°+. Si elle est installée à 180°, retirez la porte à partir de la charnière centrale puis ouvrez la porte à 180° avant de la réinstaller. Consultez la section <i>Réinstallation des portes du réfrigérateur</i>   |
| Les roues arrière peuvent être ajustées.  | MYTHE   | Lorsque vous purgez l'air du système, vérifiez l'absence de fuites au niveau de toutes les connexions. Vérifiez la connexion à l'alimentation en eau du domicile à l'arrière du réfrigérateur ainsi que la connexion de ce tuyau au niveau de la porte.  |
| Vérifiez l'absence de fuites d'eau après avoir effectué tous les raccordements.   | VRAI    | Si le réfrigérateur a été stocké dans un environnement froid, il est possible que l'écran LCD mette un certain temps avant de donner un affichage correct. Laissez assez de temps pour que le réfrigérateur atteigne une température normale, l'affichage devrait alors être correct.  |
| Mon écran LCD sera toujours allumé lorsque je branche le cordon d'alimentation lors de l'installation.                        | MYTHE   | If the refrigerator has been stored in a cold environment, the LCD may be slow to give a proper display. Give the refrigerator enough time to warm up, and the display should be okay.   |
| Tout résidu d'emballage peut être nettoyé à l'aide de n'importe quel détergent.   | MYTHE   | N'utilisez pas de cire, de javellisant ou de tout autre produit contenant du chlore sur les panneaux, les poignées de porte et les garnitures en acier inoxydable. Vérifiez ces instructions dans la section Nettoyage de l'extérieur du réfrigérateur pour plus de détails.   |

# Garantie du réfrigérateur.



Toutes les réparations en vertu de la garantie sont fournies par nos Centres de Service d'Usine ou par un technicien autorisé Customer Care®. Pour prévoir une réparation, consultez notre site [GEAppliances.com](http://GEAppliances.com) ou appelez le 800.GE.CARE5 (800.432.2737). Veuillez avoir votre numéro de série et votre numéro de modèle à portée de main lorsque vous appelez pour obtenir un service. Au Canada, appelez le 800.561.3344.

Agrafez votre facture ici. Pour bénéficier du service de réparation sous garantie, une preuve de la date d'achat initial est nécessaire.

Pour le diagnostic, la réparation de votre réfrigérateur peut nécessiter l'utilisation du port de données embarqué. Celui-ci permet au technicien de réparation GE de diagnostiquer rapidement des problèmes avec votre appareil. Il permet également à GE d'améliorer ses produits en fournissant à ces derniers des informations sur votre appareil. Si vous ne voulez pas que les données de votre appareil soient envoyées à GE, veuillez demander à votre technicien de NE PAS soumettre les données à GE pendant la réparation.

## Pendant la période de garantie de : GE remplacera :

|   |   |
|---|---|
| <b>Un An</b><br>A compter de la date d'achat initial                                  | Toute pièce du réfrigérateur qui s'avère défectueuse en raison d'un défaut de matériau ou de fabrication. Pendant la validité de la <b>présente garantie limitée</b> d'un an, GE fournira également gratuitement la main d'œuvre et le service pour réparer la pièce défectueuse. |
| <b>Trente jours</b><br>(filtre à eau, si inclus) A compter de la date d'achat initial | Toute pièce de la cartouche filtrante qui ne fonctionne pas à cause d'un vice de matériau ou de main d'œuvre. Pendant la validité de la <b>présente garantie limitée de 30 jours</b> , GE fournira gratuitement une cartouche filtrante de remplacement.                          |

## SEULEMENT MODÈLES GE PROFILE™

|   |  |
|---|--|
| <b>Cinq Ans</b><br>A compter de la date d'achat initial | Toute pièce du système fermé du réfrigérateur (compresseur, condenseur, évaporateur et tous les tuyaux de raccordement) qui s'avère défectueuse en raison d'un défaut de matériau ou de fabrication. Pendant la validité de la <b>présente garantie limitée de cinq ans</b> , GE fournira également gratuitement la main d'œuvre et le service pour réparer la pièce défectueuse dans le système fermé du réfrigérateur. |
|---|--|

## Ce qui n'est pas couvert par GE :

- Les déplacements à votre domicile pour vous expliquer l'utilisation de ce produit
- Une installation, livraison ou maintenance défectueuse.
- Une panne du produit par abus d'utilisation, par mauvaise utilisation, par modification ou s'il a été utilisé dans un but autre que celui pour lequel il a été fabriqué.
- Détérioration des aliments.
- Le remplacement des fusibles ou le réenclenchement du disjoncteur du domicile.
- Les dommages à la finition, tels que rouille de surface, ternissement ou petites taches, non signalés dans un délai de 48 heures suivant la livraison.
- Le remplacement de la cartouche filtrante, si incluse, à cause d'une pression d'eau en dehors de la gamme de fonctionnement recommandée ou à cause d'une concentration excessive de sédiments dans l'eau d'alimentation.
- Le remplacement des ampoules, si incluses, ou la cartouche filtrante, si incluse, et dans des conditions autres que celles susmentionnées.
- Tout dommage causé par accident, incendie, inondation ou une catastrophe naturelle.
- Tout dommage fortuit ou indirect causé par des défauts éventuels de cet appareil.
- Le service s'il est impossible d'avoir accès au produit.
- Dommages causés par l'utilisation d'un filtre qui n'est pas de marque GE.

**EXCLUSION DES GARANTIES TACITES - Votre recours exclusif est l'échange du produit suivant les modalités de la Garantie Limitée. Toutes garanties tacites, y compris les garanties de valeurs marchandes ou d'adéquation à des fins particulières, sont limitées à une durée d'un an ou à la durée la plus courte autorisée par la loi.**

**Pour les clients des États-Unis :** Cette garantie est étendue à l'acheteur d'origine et aux propriétaires suivants pour tout produit acheté pour une utilisation domestique aux États-Unis. Si le produit est installé dans une région où ne se trouve aucun réparateur autorisé GE, vous devrez peut-être assumer les frais de transport ou apporter l'appareil à un centre de service autorisé GE. En Alaska, cette garantie exclut le coût d'expédition ou de dépannage à votre domicile.

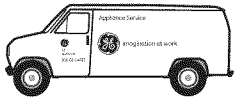
Certains états n'acceptent pas d'exclusion ou de limites aux dommages indirects consécutifs. Certains droits particuliers vous sont dévolus en vertu de la présente garantie et peuvent s'accompagner d'autres droits qui varient selon votre lieu de résidence. Pour connaître vos droits juridiques, veuillez consulter le bureau local ou le bureau d'état des affaires aux consommateurs ou le Procureur Général de votre état.

**Garant : États-Unis : General Electric Company, Louisville, KY 40225**

Cette garantie est étendue à l'acheteur d'origine et aux propriétaires suivants pour tout produit acheté aux Canada pour une utilisation domestique aux Canada. Le service à domicile en vertu de la garantie sera fourni dans les régions où il est disponible et où Mabe estime raisonnable de le fournir.

**Garant Canada: MC Commercial, Burlington, Ontario, L7R 5B6**

# Certificat de garantie de la cartouche RPWFE du filtre à eau



Communiquez avec nous sur [www.geapplianceparts.com](http://www.geapplianceparts.com), ou appelez le 800.GE.CARES.

Agrafez votre facture ici. Pour obtenir le service sous garantie, une preuve de la date d'achat initial est nécessaire.

Pendant la période de garantie de : **Nous remplacerons gratuitement :**

## Trente jours

À compter de la date d'achat initial

**Toute pièce** de la cartouche filtrante qui s'avère défectueuse en raison d'un défaut de matériau ou de fabrication pendant cette période de **garantie de trente jours.\***

## Ce qui n'est pas couvert :

- Les déplacements à votre domicile pour vous expliquer l'utilisation de ce produit.
- Une installation incorrecte.
- Une panne du produit par abus d'utilisation, par mauvaise utilisation, par modification ou s'il a été utilisé dans un but autre que celui pour lequel il a été fabriqué, ou s'il a été utilisé à des fins commerciales.
- Le remplacement des fusibles ou le réenclenchement du disjoncteur du domicile.
- Le remplacement de la cartouche filtrante à cause d'une pression d'eau en dehors de la gamme de fonctionnement recommandée ou à cause d'une concentration excessive de sédiments dans l'eau d'alimentation.
- Tout dommage causé par accident, incendie, inondation ou catastrophe naturelle.
- Tout dommage fortuit ou indirect causé par des défauts éventuels de cet appareil.

*Cette garantie est étendue à l'acheteur d'origine et aux propriétaires suivants pour tout produit acheté pour une utilisation domestique aux Etats-Unis. En Alaska, cette garantie exclut le coût d'expédition ou de dépannage à votre domicile.*

*Certains états n'acceptent pas d'exclusion ou de limites aux dommages indirects consécutifs. Certains droits particuliers vous sont dévolus en vertu de la présente garantie et peuvent s'accompagner d'autres droits qui varient d'un état à un autre. Pour connaître vos droits, veuillez consulter votre bureau local ou le bureau d'état des affaires aux consommateurs ou le Procureur Général de votre état.*

**Pour les achats effectués en Iowa :** Ce formulaire doit être signé et daté par l'acheteur et le vendeur avant la réalisation de cette vente.

*Ce formulaire doit être conservé au dossier par le vendeur pendant une période minimale de deux ans.*

## Acheteur :

Nom \_\_\_\_\_

Adresse \_\_\_\_\_

Ville \_\_\_\_\_ État \_\_\_\_\_ Code postal \_\_\_\_\_

Signature \_\_\_\_\_ Date \_\_\_\_\_

## Vendeur :

Nom \_\_\_\_\_

Adresse \_\_\_\_\_

Ville \_\_\_\_\_ État \_\_\_\_\_ Code postal \_\_\_\_\_

Signature \_\_\_\_\_ Date \_\_\_\_\_

\* Si votre pièce GE s'avère défectueuse en raison d'un défaut de fabrication dans les trente jours à compter de la date d'achat initiale, nous vous fournirons gratuitement une nouvelle pièce, ou, à notre gré, une pièce reconstruite. Renvoyez la pièce défectueuse au fournisseur de pièces auprès duquel cette pièce a été achetée avec une copie de la preuve d'achat de la pièce. Si la pièce est défectueuse et n'indique aucun signe d'une utilisation abusive, celle-ci sera échangée. La garantie ne couvre pas la défaillance de pièces qui sont endommagées en votre possession, sont utilisées de façon abusive ou ont été mal installées. Elle ne couvre pas les frais de retour de la pièce au fournisseur auprès duquel elle a été achetée. Elle ne couvre pas non plus le coût de main d'œuvre pour retirer ou installer cette pièce pour diagnostiquer la panne. Elle ne couvre pas les pièces utilisées dans les produits à usage commercial, sauf dans le cas des équipements de climatisation. En aucun cas, GE ne peut être tenu responsable des dommages indirects. Garant : General Electric Company

EXCLUSION DES GARANTIES TACITES : Votre recours exclusif est l'échange du produit suivant les modalités de la Garantie Limitée. Toutes garanties tacites, y compris les garanties de valeurs marchandes ou d'adéquation à des fins particulières, sont limitées à une durée de six mois ou à la durée la plus courte autorisée par la loi.



**GE**  
Appliances  
Appliance Park  
Louisville, KY 40225  
[gewaterfilters.com](http://gewaterfilters.com)

# Fiche technique de performance

## Modèle : GE RPWFE

Utilisez une cartouche de rechange RPWFE.

La concentration des substances mentionnées dans l'eau pénétrant dans le système a été réduite à une valeur inférieure ou égale à la limite permise relative à l'eau quittant le système, selon les spécifications des normes NSF/ANSI 42 et 53. Le système a été mis à l'essai et homologué par NSF International conformément aux normes NSF/ANSI 42 et 53 relatives à la réduction des substances énumérées ci-dessous.

### Capacité 170 gal. (643,5 litres). Réduction des contaminants déterminée par essai NSF.

| Substance testée pour réduction          | Influent moyen     | Concentr. d'essai selon NSF  | Réduction moy. (%) | Concentr. moyenne | Concentr max. permissible | Spéc. de réduction NSF | Rapport d'essai NSF |
|--|--------------------|--|--------------------|-------------------|---------------------------|------------------------|---------------------|
| Gout et odeur chlore                     | 2,0 mg/L           | 2,0 mg/L ± 10%   | 97,4%              | 0,05 mg/L         | N/A                       | ≥50%                   | J-00102044          |
| Particules de Classe I, ≥0.5 to < 1.0 µm | 7,633,333 pts/mL   | Au moins 10 000 particules/mL  | 99,0%              | 71,850 pts/ml     | N/A                       | ≥85%                   | J-00106249          |
| Amiante                                  | 109 MFL            | 10 <sup>7</sup> to 10 <sup>8</sup> fibres/L ; fibres sup. à 10µm de long | 99,99%             | <1 MFL            | N/A                       | ≥99%                   | J-00102069          |
| Atrazine                                 | 0,009 mg/L         | 0,009 mg/L ± 10%   | 94,4%              | 0,0005 mg/L       | 0,003 mg/L                | N/A                    | J-00102058          |
| Benzene                                  | 0,016 mg/L         | 0,015 mg/L ± 10%   | 96,4%              | 0,001 mg/L        | 0,005 mg/L                | N/A                    | J-00102065          |
| Carbofuran                               | 0,08 mg/L          | 0,08 mg/L ± 10%  | 98,8%              | 0,001 mg/L        | 0,04 mg/L                 | N/A                    | J-00102059          |
| Oocystes*                                | 104,750 oocystes/L | Minimum 50,000 cysts/L   | 99,99%             | 3 cyst/L          | N/A                       | ≥99,95%                | J-00102057          |
| Plomb pH @6.5                            | 0,140 mg/L         | 0,15 mg/L ± 10%  | 99,3%              | 0,001 mg/L        | 0,010 mg/L                | N/A                    | J-00102052          |
| Lead pH @8.5                             | 0,158 mg/L         | 0,15 mg/L ± 10%  | 98,3%              | 0,002 mg/L        | 0,010 mg/L                | N/A                    | J-00102053          |
| Mercure @ pH 6.5                         | 0,006 mg/L         | 0,006 mg/L ± 10%   | 91%                | 0,0003 mg/L       | 0,002 mg/L                | N/A                    | J-00102054          |
| Mercure @ pH 8.5                         | 0,006 mg/L         | 0,006 mg/L ± 10%   | 88,3%              | 0,0007 mg/L       | 0,002 mg/L                | N/A                    | J-00104087          |
| Lindane                                  | 0,002 mg/L         | 0,002 mg/L ± 10%   | 99%                | 0,00002 mg/L      | 0,0002 mg/L               | N/A                    | J-00102063          |
| P-Dichlorobenzene                        | 0,222 mg/L         | 0,225 mg/L ± 10%   | 99,8%              | 0,0005 mg/L       | 0,075 mg/L                | N/A                    | J-00102067          |
| Toxaphene                                | 0,015 mg/L         | 0,015 mg/L ± 10%   | 93,5%              | 0,001 mg/L        | 0,003 mg/L                | N/A                    | J-00102061          |
| Réduction de 2, 4-D                      | 0,218 mg/L         | 0,210 mg/L ± 10%   | 99,9%              | 0,0001 mg/L       | 0,07 mg/L                 | N/A                    | J-00102064          |
| COV                                      | 0,278 mg/L         | 0,300 mg/L ± 10%   | 97,7%              | 0,0015 mg/L       | N/A                       | ≥95%                   | J-00102070          |

\* D'après l'utilisation d'oocystes de *Cryptosporidium parvum*.

Les résultats de réduction pharmaceutique suivants n'ont pas été certifiés par NSF International. Ils ont été testés et vérifiés par un laboratoire indépendant. Le filtre, entraînant ainsi des fuites ou l'inondation.

| Réduction de substance | Influent moyen | Concentr. d'essai selon NSF | Réduction moy. (%) | Concentr. moyenne | Concentr. max. permissible | Rapport d'essai NSF |
|------------------------|----------------|-----------------------------|--------------------|-------------------|----------------------------|---------------------|
| Aténolol               | 1088 ng/L      | N/A                         | 99,5%              | 5,0 ng/L          | N/A                        | J-00103221          |
| Fluoxétine             | 845 ng/L       | N/A                         | 99,4%              | 5,0 ng/L          | N/A                        | J-00103221          |
| Ibuprofène             | 898 ng/L       | N/A                         | 98,8%              | 9,9 ng/L          | N/A                        | J-00103726          |
| Progesterone           | 945 ng/L       | N/A                         | 99,4%              | 5,5 ng/L          | N/A                        | J-00103727          |
| Triméthoprime          | 403 ng/L       | N/A                         | 99,5%              | 2,0 ng/L          | N/A                        | J-00103221          |

### Conditions d'application/Paramètres d'alimentation d'eau

|                    |                             |                      |                                 |
|--------------------|-----------------------------|----------------------|---------------------------------|
| Débit de service   | 0,5 gal./min. (1,89 l/min.) | Pression d'eau       | 25-120 psi (172- 827 kPa)       |
| Alimentation d'eau | Eau potable                 | Température de l'eau | 33° F - 100° F (0,6° C - 38° C) |

Le rendement du produit sera conforme à ce qui est promis à condition que l'installation, l'entretien et le remplacement du filtre s'effectuent selon les recommandations du fabricant.

**Remarque :** Bien que les tests aient été réalisés dans des conditions Bien que les tests aient été réalisés dans des conditions de laboratoire, Cartouche de rechange : RPWFE. Pour une estimation du coût des pièces de rechange, veuillez composer le 1-800-626-2002 ou visitez notre site Web au [www.geapplianceparts.com](http://www.geapplianceparts.com).

#### AVERTISSEMENT

Pour réduire le risque associé à l'ingestion de contaminants :

- N'utilisez pas l'appareil avec de l'eau d'une qualité incertaine ou non potable sur le plan microbiologique sans une désinfection en amont et en aval du système. Les systèmes homologués relativement à la réduction d'oocystes peuvent être utilisés avec de l'eau désinfectée pouvant contenir des oocystes filtrables. Numéro d'établissement EPA 070595-MEX-001.

#### AVIS

Pour réduire le risque de fuite ou d'inondation et pour garantir un rendement optimal du filtre :

- Lisez et observez les instructions d'utilisation avant l'installation et l'utilisation de ce système.
- L'installation et l'utilisation DOIVENT satisfaire tous les codes de plomberie locaux et nationaux.

- **Ne procédez pas** à l'installation si la pression d'eau excède 120 psi (827 kPa). Si votre pression d'eau excède 80 psi, vous devez poser une valve de limitation de pression. Faites appel à un plombier si vous avez des doutes sur la façon de mesurer votre pression d'eau.
- **Ne procédez pas** à l'installation si une condition de coup de bélier est susceptible de survenir. Si cette condition existe, vous devez poser un antibélier. Faites appel à un plombier si vous avez des doutes sur la manière d'identifier cette condition.
- **Ne procédez pas** à l'installation sur des conduites d'eau chaude. La température température de service maximale de l'eau pour ce système de filtre est de 100 °F (38 °C).
- **Protégez le filtre contre le gel.** Drainez le filtre lorsque la température tombe sous 33 °F (0,6 °C).
- Remplacez la cartouche filtrante jetable tous les six mois, ou plus tôt si vous constatez une réduction appréciable du débit d'eau.
- L'omission de remplacer la cartouche filtrante jetable aux intervalles recommandés peut mener à une réduction du rendement du filtre et au fendillement du boîtier du filtre, entraînant ainsi des fuites ou l'inondation.







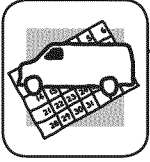
## Assistance à la clientèle.



### Site Internet d'Électroménagers GE

*GEAppliances.ca*

Vous avez une question ou avez besoin d'aide pour votre appareil électroménager. Consultez le Site Internet Électroménagers GE 24 heures sur 24, tous les jours de l'année ! Pour une plus grande commodité et un service plus rapide, vous pouvez maintenant télécharger votre Manuel d'Utilisation ou même programmer un entretien en ligne.



### Programmation d'une réparation

*GEAppliances.ca*

Le service de réparations GE est tout près de chez vous. Allez en ligne et programmez votre réparation au moment qui vous convient, à tout moment ! Ou appelez le 1.800.561.3344 pendant les heures normales d'ouverture.



### Studio de Conception Réaliste

*GEAppliances.ca*

GE soutient l'idée de Conception Universelle où les produits, les services et l'environnement peuvent être utilisés par des personnes de tout âge, taille et capacité. Nous reconnaissons le besoin de concevoir nos produits pour un vaste éventail d'aptitudes et de déficiences mentales et physiques. Pour de plus amples informations sur les applications de la Conception Universelle de GE, y compris des idées de conception de cuisine pour les personnes à mobilité réduite, consultez notre site Internet dès aujourd'hui. Pour les consommateurs malentendants, veuillez appeler le 800.TDD.GEAC (800.833.4322).

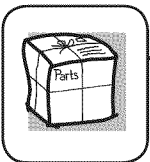
Au Canada, contactez :                    Directeur, Relations Clientèle, Mabe Canada Inc.  
Suite 310, 1 Factory Lane  
Moncton, N.B. E1C 9M3



### Extension de garantie

*GEAppliances.ca*

Vous pouvez souscrire à une extension de garantie et en savoir davantage sur les remises particulières disponibles avant expiration de votre garantie. Vous pouvez souscrire en ligne à tout moment ou en appelant le 1.888.261.2133 pendant les heures normales d'ouverture. Les Services à Domicile pour les Clients GE seront toujours disponibles même après expiration de la garantie.



### Pièces Détachées et Accessoires

*GEApplianceParts.ca*

Les personnes qualifiées pour réparer leurs propres appareils peuvent commander des pièces détachées et des accessoires et les faire envoyer directement à leur domicile. Consulter les pages jaunes pour trouver le Centre de Service Mabe le plus proche ou appeler le 1.800.661.1616.

Les instructions contenues dans ce manuel détaillent les procédures à utiliser pour n'importe quel utilisateur. Il est préférable que les autres réparations soient effectuées par un réparateur qualifié. La prudence doit être de mise, toute maintenance incorrecte peut entraîner un fonctionnement dangereux.



### Nous contacter

*GEAppliances.ca*

Si vous n'êtes pas satisfait du service reçu par GE, veuillez nous contacter par l'intermédiaire de notre site internet avec toutes vos coordonnées, y compris votre numéro de téléphone ou écrivez à l'adresse suivante :

Directeur, Relations Clientèle, Mabe Canada Inc.  
Suite 310, 1 Factory Lane  
Moncton, N.B. E1C 9M3



### Enregistrement de votre appareil

*GEAppliances.ca*

Enregistrez votre nouvel appareil en ligne - quand cela vous convient. Un enregistrement de votre produit dans les temps vous permettra une meilleure communication et garantira, si besoin, des réparations rapides dans les conditions de votre garantie. Vous pouvez également envoyer la carte d'enregistrement pré-imprimée incluse dans l'emballage.

**Instrucciones de seguridad** . . . 92, 93

**Instrucciones de Funcionamiento**

Funciones . . . . . 94-97  
Controles . . . . . 98, 99  
Dispensador . . . . . 100  
Autollenado\* . . . . . 101  
Filtro de Agua . . . . . 102  
Opciones de Almacenamiento  
de Comidas Frescas . . . . . 103,104  
Climate Zone y Cajón  
de Temperatura Controlada . 105,106  
Freezer . . . . . 107  
Máquina de Hacer Hielo  
Automática . . . . . 108  
Cuidado y Limpieza . . . . . 109  
Reemplazo de las Luces . . . . . 110

**Instrucciones de Instalación**

Preparación para Instalar  
el Refrigerador . . . . . 112, 113  
Instalación del Soporte  
Anti-Volcaduras . . . . . 119, 120  
Instalación del Refrigerador . . 113-123  
Instalación del Suministro  
de Agua . . . . . 124-126

**Consejos para la Solución  
de Problemas** . . . . . 128, 129

Condiciones de Funcionamiento  
Normal . . . . . 127  
Servicio Técnico – Verdad  
o Mito . . . . . 130, 131

**Soporte al Cliente**

Garantía para Clientes . . . . . 132  
Certificado Limitado del  
Dispositivo del Cartucho  
del Filtro de Agua RPWFE . . . . . 133  
Ficha Técnica de Rendimiento . . . . 134  
Soporte al Cliente . . . . . 135

\*Modelos Selectos Únicamente

**Escriba los números de modelo y de serie aquí:**

**Nº de Modelo** \_\_\_\_\_

**Nº de Serie** \_\_\_\_\_

Busque estos números en una etiqueta del lado izquierdo, cerca de la parte intermedia del compartimiento del refrigerador.

# INFORMACIÓN IMPORTANTE DE SEGURIDAD. LEA TODAS LAS INSTRUCCIONES ANTES DE USAR.

## SEGURIDAD



### Sitio Web de Electrodomésticos de GE

Para más información sobre el funcionamiento de su refrigerador, visite [www.GEAppliances.com](http://www.GEAppliances.com)

## INFORMACIÓN DE SEGURIDAD DEL REFRIGERADOR

**!** Este es el símbolo de alerta de seguridad. El mismo alerta sobre potenciales riesgos de muerte o lesiones tanto para usted como para otras personas. Todos los mensajes de seguridad estarán a continuación del símbolo de alerta de seguridad y con la palabra "PELIGRO", "ADVERTENCIA" o "PRECAUCIÓN". Estas palabras se definen como:

**! PELIGRO** Indica una situación de riesgo que, si no se evita, podría resultar en la muerte o en lesiones graves.

**! ADVERTENCIA** Indica una situación de riesgo que, si no se evita, podría resultar en la muerte o en lesiones graves.

**! PRECAUCIÓN** Indica una situación de riesgo que, si no se evita, podría resultar en lesiones menores o moderadas.

## INSTRUCCIONES IMPORTANTES DE SEGURIDAD

**! ADVERTENCIA** A fin de reducir el riesgo de incendio, explosión, descargas eléctricas o lesiones al usar su refrigerador, siga estas precauciones básicas de seguridad:

- Este refrigerador se deberá instalar y ubicar adecuadamente de acuerdo con las Instrucciones de Instalación antes de ser usado.
- Desenchufe el refrigerador antes de hacer reparaciones, reemplazar una lámpara de luz o hacer una limpieza.  
Nota: La corriente que va al refrigerador no puede ser desconectada por ninguna configuración del panel de control.  
Nota: Las reparaciones deberán ser realizadas por un Profesional del Servicio Técnico calificado.
- Reemplace todas las piezas y paneles antes del uso.
- No guarde ni use gasolina u otros vapores inflamables y líquidos cerca de este u otros electrodomésticos.
- Debido a los posibles riesgos sobre la seguridad bajo ciertas condiciones, recomendamos enfáticamente no usar prolongadores. Sin embargo, si se debe usar un prolongador, es absolutamente necesario que sea un prolongador para electrodoméstico de la lista UL (en Estados Unidos) o uno certificado por CSA (en Canadá), de 3 cables con conexión a tierra, que cuente con un enchufe con conexión a tierra y un tomacorriente con una graduación eléctrica del cable de 15 amperes (mínimo) y 120 volts.
- A fin de evitar riesgos de que los niños sufran asfixia o queden atrapados, retire las puertas de comidas frescas y del freezer de cualquier refrigerador antes de deshacerse o dejar de usar el mismo.
- No permita que los niños se trepen, paren o cuelguen de las manijas de la puerta o de los estantes del refrigerador. Podrían sufrir lesiones graves.

## INSTRUCCIONES IMPORTANTES DE SEGURIDAD

**! PRECAUCIÓN** A fin de reducir el riesgo de lesiones al usar el refrigerador, siga estas precauciones básicas.

- No limpie estantes de vidrio ni tapas con agua caliente cuando estén fríos. Los estantes de vidrio y las tapas se pueden romper si son expuestos a cambios de temperatura repentinos o impactos, tales como sacudones o caídas. El vidrio templado está diseñado para destruirse en pequeñas piezas en caso de rotura.
- Mantenga los dedos fuera de los espacios de "riesgo de lastimaduras"; los despejes entre las puertas y entre las puertas y el gabinete son necesariamente pequeños. Tenga el cuidado de cerrar las puertas cuando los niños se encuentren en el área.
- No toque las superficies frías del compartimiento del freezer cuando las manos estén húmedas o mojadas, ya que la piel se podrá adherir a estas superficies extremadamente frías.
- No vuelva a congelar comidas que hayan estado totalmente congeladas en forma previa.
- En refrigeradores con máquinas de hacer hielo automáticas, evite el contacto con las partes móviles del mecanismo eyector o con el elemento de calefacción que libera los cubos. No coloque los dedos ni las manos en el mecanismo de la máquina de hielo automática mientras el refrigerador esté enchufado.

## INSTALACIÓN

**! ADVERTENCIA**  **Riesgo de Explosión.**

Mantenga cualquier material y vapores inflamables, tales como gasolina, alejados del refrigerador. Si no se cumple con esto se podrá producir una explosión, incendio o la muerte.

# INFORMACIÓN IMPORTANTE DE SEGURIDAD. LEA TODAS LAS INSTRUCCIONES ANTES DE USAR.

GEAppliances.com

## SEGURIDAD (CONT)

### ADVERTENCIA



#### Riesgo de Caída.

Los modelos con estilo incorporado (modelo PYE, CYE, y PWE) son inestables, especialmente con las puertas abiertas. Estos modelos deben ser asegurados con el soporte anti-volcaduras, a fin de evitar caídas hacia adelante, que podrían resultar en la muerte o lesiones graves. Lea y siga las instrucciones de instalación en su totalidad, a fin de instalar el soporte de piso anti-volcaduras embalado con su refrigerador.

## CONEXIÓN DE LA ELECTRICIDAD

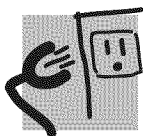
### ADVERTENCIA



#### Riesgo de Descarga Eléctrica.

Enchufe en un tomacorriente con conexión a tierra de 3 cables.  
No elimine el cable de conexión a tierra.  
No use un adaptador.

Si no se siguen estas instrucciones se podrá producir a muerte, incendios o descargas eléctricas.



#### **Nunca, bajo ninguna circunstancia, corte o elimine el tercer cable (tierra) del cable de corriente. Para su seguridad personal, este electrodoméstico debe estar adecuadamente conectado a tierra.**

El cable de corriente de este electrodoméstico contiene un enchufe de 3 cables (conexión a tierra) que se conecta a un tomacorriente de pared estándar de 3 cables (conexión a tierra) para minimizar la posibilidad de riesgos de descargas eléctricas por parte del mismo.

Contrate a un electricista calificado para que controle el tomacorriente y el circuito eléctrico, a fin de asegurar que el enchufe esté correctamente conectado a tierra.

En caso de contar con un tomacorriente de pared de 2 cables, es su responsabilidad y obligación reemplazarlo por un tomacorriente de pared de 3 cables correctamente conectado a tierra. No use un adaptador.

El refrigerador debería estar siempre conectado a un enchufe específico con un índice de voltaje equivalente al que figura en su etiqueta de características técnicas.

Se requiere un suministro eléctrico con fusible y conexión a tierra de 115 voltios de CA, 60 Hz, 15 o 20 amperes. Esto garantiza el mejor funcionamiento y además previene la sobrecarga de los circuitos del hogar, lo cual podría ocasionar riesgos de incendio debido al recalentamiento de cables.

Nunca desenchufe el refrigerador tirando del cable de corriente. Siempre tome su enchufe firmemente y empuje el mismo hacia afuera para retirarlo.

Repáre o reemplace de inmediato todos los cables de corriente pelados o con cualquier tipo de daño. No use un cable con cortaduras o abrasión sobre su extensión o extremos.

Al alejar el refrigerador de la pared, se deberá tener cuidado de que no ruede sobre ni dañe el cable de corriente.

## FORMA ADECUADA DE DESCARTAR SU ANTIGUO REFRIGERADOR

### ADVERTENCIA

#### **: Riesgo de que los niños sufran asfixia o y queden atrapados.**

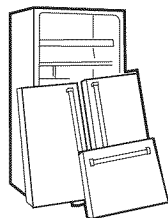
Retire del refrigerador las puertas de comidas frescas y del freezer, antes de descartar el refrigerador. Si esto no se realiza, los niños podrán quedar atrapados y ocasionar la muerte o daño cerebral.

#### **IMPORTANTE:**

Que un niño quede atrapado o que sufra una asfixia no son problemas del pasado. Los refrigeradores antiguos o abandonados aún son peligrosos, incluso aunque se conserven por "sólo unos pocos días". Si se deshará de su antiguo refrigerador, siga las siguientes instrucciones a fin de evitar accidentes.

#### **Antes de Descartar su Antiguo Refrigerador o Freezer:**

- Retire las puertas de comidas frescas y del freezer.
- Deje los estantes en su lugar de modo que los niños no puedan trepar dentro con facilidad.



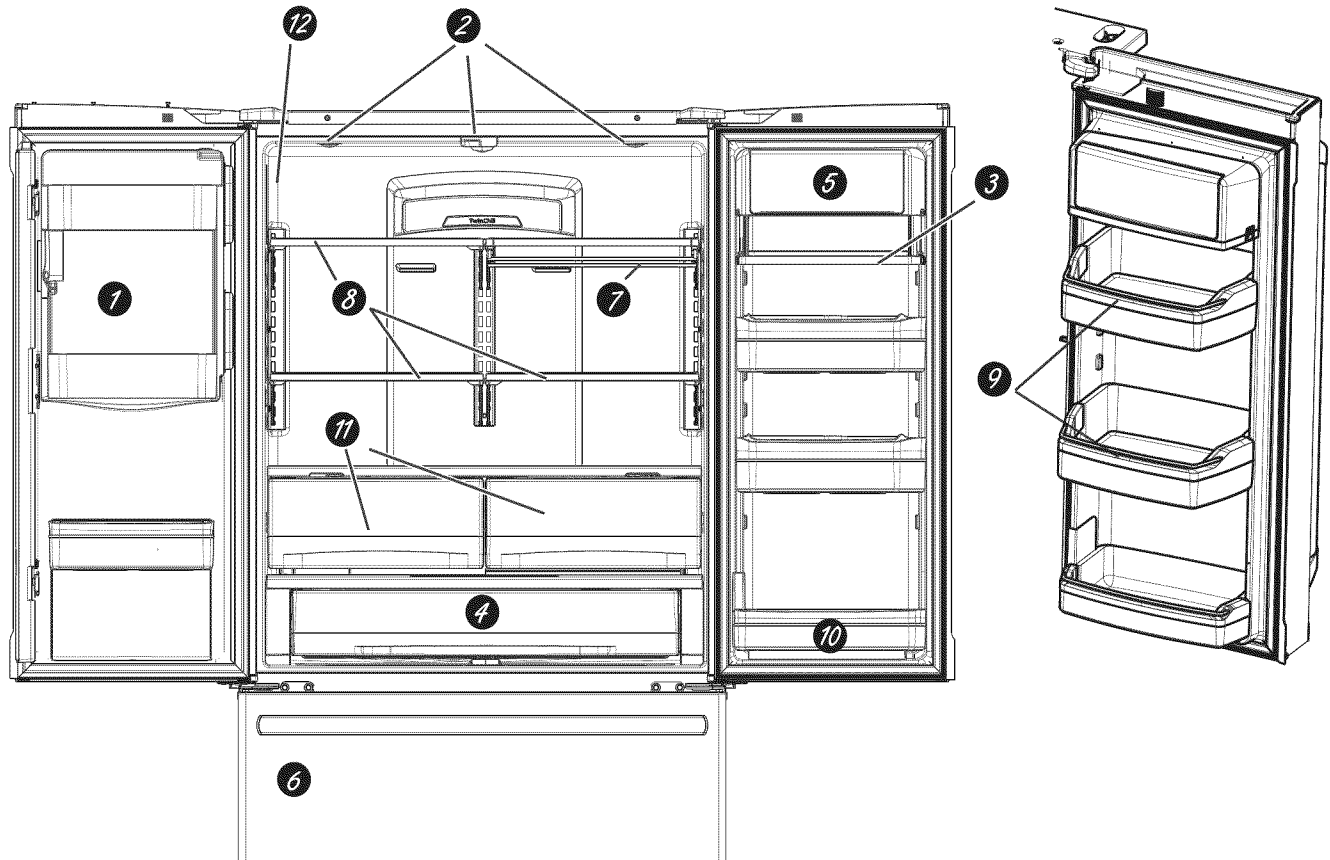
#### **Refrigerantes**

Todos los productos de refrigeración cuentan con refrigerantes, que de acuerdo con la ley federal deberán ser eliminados antes de descartar el producto. Si se deshará de un producto de refrigeración antiguo, consulte a la compañía a cargo sobre cómo deshacerse del mismo.



**LEA Y SIGA ESTA INFORMACIÓN DE SEGURIDAD CUIDADOSAMENTE.  
GUARDE ESTAS INSTRUCCIONES**

## Acerca de las funciones.

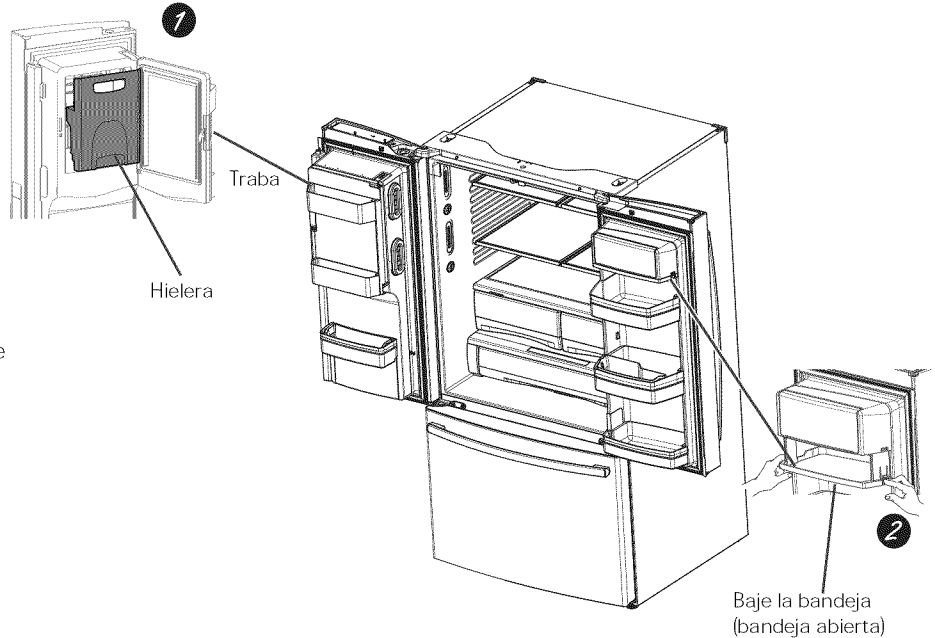


- 1 Máquina de hacer hielo con ahorro de espacio\***  
La máquina de hacer hielo y el recipiente están ubicados en la puerta, creando un espacio de almacenamiento con mayor uso.
- 2 Luz LED de exhibición**  
La luz LED está posicionada a través del interior para iluminar áreas del refrigerador. Las luces LED están ubicadas debajo de la puerta de comidas frescas para iluminar el freezer cuando se abra.
- 3 Bandeja desplegable\***  
Permite un almacenamiento adicional en la puerta cuando lo necesite y se guarda cuando no.
- 4 Cajón con control de temperatura electrónica de ancho completo** (en algunos modelos)  
Recipiente con control de temperatura ajustable que puede ubicar artículos más grandes.
- 5 Recipiente de lácteos\***  
Compartimiento aparte para sus productos.
- 6 Máquina de hielos dual/ hielera** (en algunos modelos)  
Una máquina de hielos en ambos compartimientos le brinda más hielo cuando lo necesita.
- 7 Estante de QuickSpace™\***  
Funciona como un estante normal de tamaño completo cuando lo necesite y se desliza fácilmente hacia adentro para guardar artículos altos en la parte inferior.
- 8 Estantes a prueba de derrames**  
Diseñados para capturar derrames y permitir una limpieza más fácil.
- 9 Tapete Antideslizante**  
Revestimiento que captura los derrames, evita el desplazamiento de los envases cuando la puerta es abierta y se puede retirar fácilmente para su limpieza.
- 10 Recipiente con puerta desmontable**  
Puede ser retirado cuando haya una pared que limite la apertura de la puerta.
- 11 Recipiente de Climate zone (área climática)**  
Recipientes aparte para almacenar productos alimenticios.
- 12 Filtro de agua\***  
Filtra agua y hielo

\*Modelos Selectos Únicamente

## 1 Recipiente de hielo en la puerta\*

1. Abra la puerta izquierda de comidas frescas.
2. Baje la traba para abrir la puerta del recipiente.
3. Use del recipiente con sujeción manual hacia arriba y afuera para despejar los localizadores en la parte inferior del recipiente.
4. Para reemplazar la hielera, ajuste la misma a los soportes de la guía y empuje hasta que la misma se ubique correctamente.
5. Si la hielera no se puede reemplazar, gire la Horquilla de la Hielera ¼ en dirección de las agujas del reloj.



## 2 Recipiente de lácteos desplegable\*

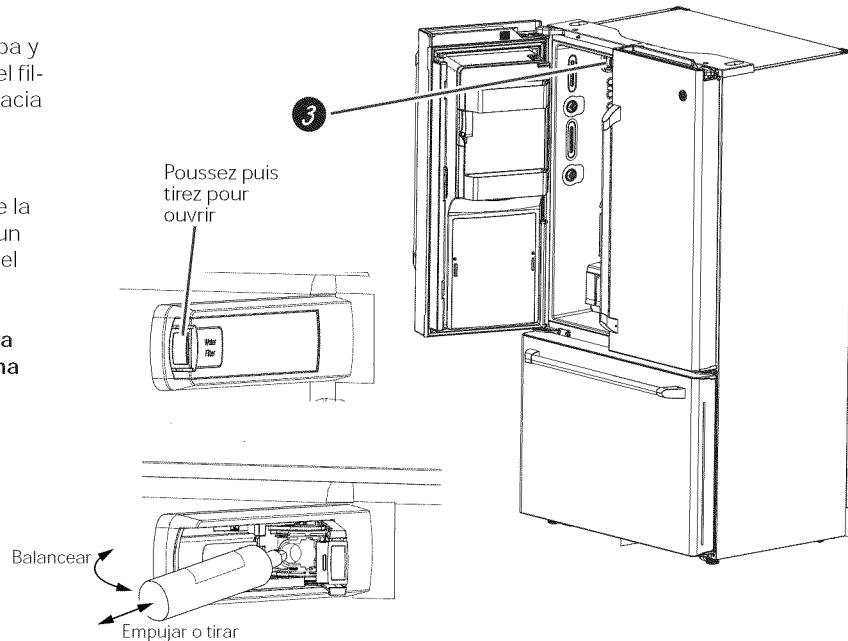
1. Abra la puerta derecha de comidas frescas.
2. Presione ambos botones en los lados inferiores y el recipiente descenderá.
3. Dé vuelta para reinstalar.

## 3 Hielo en la puerta/ filtro de agua Retire el filtro/ tapón del bypass

1. Presione la depresión sobre la tapa y abra la puerta del filtro. Levante el filtro/ tapón del bypass y empuje hacia afuera para retirar el mismo

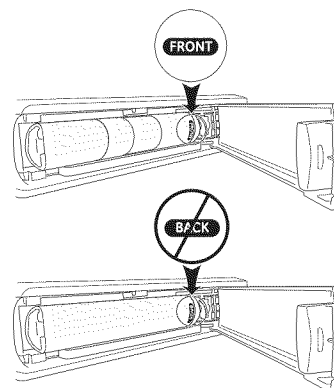
### Instale el cartucho del filtro

1. Presione la depresión en la parte inferior de la tapa y abra. Levante la puerta y alinee las lengüetas de un filtro a otro/ suspensor y empuje el filtro para colocarlo en su lugar.



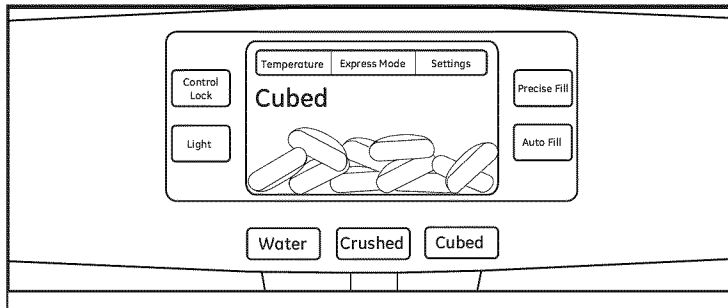
La tapa del filtro fue diseñada para ser reinstalada si se retira de forma accidental

\*Modelos Selectos Únicamente

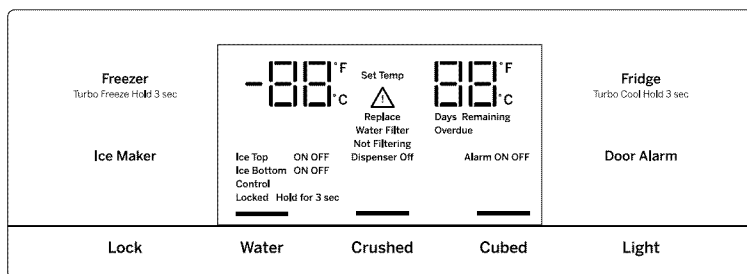


## Sobre los controles con ajustes de temperatura.

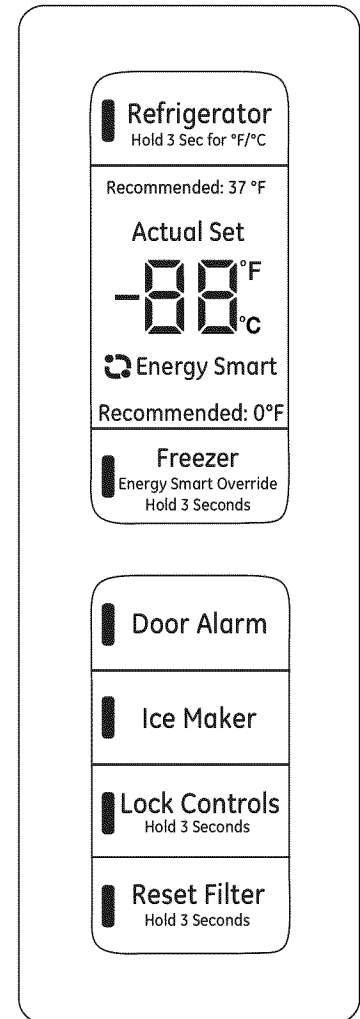
PFE28,PYE22P Estilo de Control A, Control Externo del LCD



GFE28, GFE26, DFE28, GYE22 Estilo de Control B, Control Externo



GNE29, PWE23 Estilo de Control C, Control Interno



**NOTA:** El refrigerador se envía con una envoltura que protege los controles de temperatura. Si esta envoltura no fue retirada durante la instalación, retire la misma ahora.

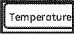
Los controles de temperatura fueron configurados previamente en la fábrica en 37°F para el compartimiento del refrigerador y en 0°F para el compartimiento del freezer. Espere 24 horas hasta que la temperatura se establezca hasta los ajustes de preconfiguración recomendados.

Es posible que los controles de temperatura muestren la temperatura en SET (Ajustada), como también la temperatura real en el refrigerador y en el freezer. La temperatura real puede variar levemente de la temperatura en SET (Ajustada) en base al uso y al ambiente donde se usa.



## Cambio de la Temperatura para el Estilo de Control A y Café

### Para Cambiar la Temperatura del Refrigerador:

**Acceda Por:** Botón de Temperatura 

**Active por:** Debajo de la palabra "Refrigerador", use las flechas para seleccionar la temperatura deseada. Presione **DONE** (Hecho) al finalizar para regresar a la pantalla **HOME** (Inicio).

### Para Cambiar la Temperatura del Freezer:

**Acceda Por:** Botón de Temperatura 

**Active por:** Debajo de la palabra "Freezer", use las flechas para seleccionar la temperatura deseada. Presione **DONE** (Hecho) al finalizar para regresar a la pantalla **HOME** (Inicio).

Para apagar el sistema de enfriamiento, acceda a **SETTINGS** (Configuraciones) en la pantalla **HOME** (Inicio). Dé vuelta la página y presione **COOLING SYSTEM ON** (Sistema de Enfriamiento Activado). Presione **DONE** (Hecho) para regresar a la pantalla **HOME** (Inicio). Para encender el sistema de enfriamiento, acceda a **SETTINGS** (Configuraciones) en la pantalla **HOME** (Inicio). Dé vuelta la página y presione **COOLING SYSTEM OFF** (Sistema de Enfriamiento Desactivado). Presione **DONE** (Hecho) para regresar a la pantalla **HOME** (Inicio). Apagar el sistema de refrigeración detiene el enfriamiento del refrigerador, pero no corta la corriente eléctrica.

## Cambio de la Temperatura para el Estilo de Control B

Para cambiar la temperatura, presione y libere las teclas **Freezer** (Freezer) o **Fridge** (Refrigerador). La pantalla mostrará la temperatura configurada. Para cambiar la temperatura, presione la tecla **Freezer** (Freezer) o **Fridge** (Refrigerador) hasta que se muestre la temperatura deseada.

Para colocar el sistema de refrigeración en **OFF** (Apagar), mantenga presionadas las teclas **Fridge** (Refrigerador) y **Ice Maker** (Máquina de Hielos) de forma simultánea por 3 segundos. Cuando el sistema de refrigeración está en **OFF** (Apagado), en la pantalla se debe leer **OFF** (Apagado).

## Cambio de Temperatura para el Estilo de Control C

La Pantalla de Temperatura está ubicada en la parte interior de la puerta izquierda del refrigerador. Para cambiar la temperatura, presione y libere las teclas **REFRIGERATOR** (Refrigerador) o **FREEZER** (Freezer). La luz de **ACTUAL TEMP** (Temperatura Real) se encenderá y la pantalla mostrará la temperatura real. Para cambiar la temperatura, presione ligeramente la tecla **REFRIGERATOR** (Refrigerador) o **FREEZER** (Freezer) hasta que se muestre la temperatura deseada.

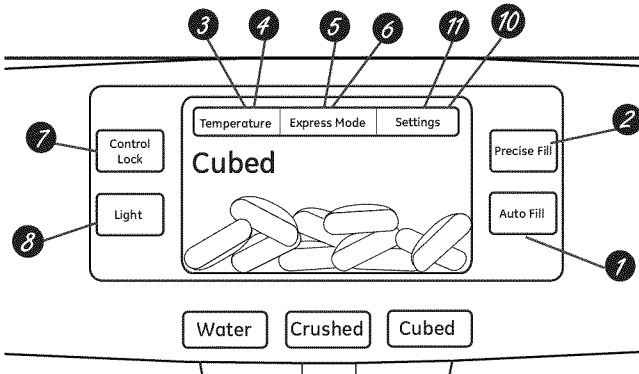
Para apagar el sistema de refrigeración, mantenga presionadas las teclas **REFRIGERATOR** (Refrigerador) y **FREEZER** (Freezer) de forma simultánea por 3 segundos. Cuando el sistema de refrigeración esté en **OFF** (Apagado), en la pantalla se debería leer **OFF** (Apagado). Para encender el sistema de refrigeración, presione tanto las teclas **REFRIGERATOR** (Refrigerador) o **FREEZER** (Freezer). La pantalla mostrará la configuración de la temperatura programada de **37°F** para el refrigerador y **0°F** para el freezer. Apagar el sistema de refrigeración detiene el enfriamiento del refrigerador, pero no corta la corriente eléctrica.

**NOTA:** Para un rendimiento óptimo de la temperatura, es recomendable evitar colocar comida u otros productos directamente en las ventilaciones de aire o en la torre de aire de comidas frescas, bloqueando de este modo el flujo de aire.

# Acerca de las funciones de los controles.

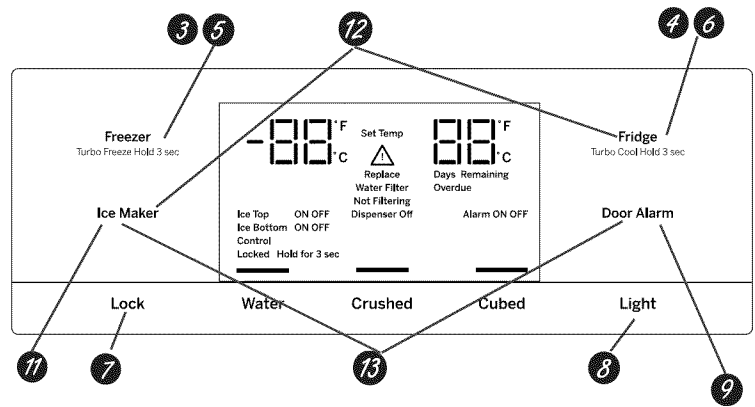
## Estilo de Control A, Controles Externos

PFE28,  
PYE22P



## Estilo de Control B, Controles Externos

GFE28, GFE26,  
DFE28, GYE22



### 1 Llenado Automático con Manos Libres\*

El llenado automático sin manos utiliza sensores para monitorear el peso de un envase a fin de dispensar de forma automática agua filtrada sin tener que activar la paleta.

### 2 Configuración de Llenado Preciso\*

Dispensa de forma precisa agua filtrada en medidas precisas tanto en onzas como en tazas, cuartos de galones o litros usando la paleta.

### 3 Control de temperatura del refrigerador

Ajusta la temperatura del compartimiento del freezer.

### 4 Control de temperatura de comida fresca

Ajusta la temperatura del compartimiento de alimentos frescos.

### 5 Configuración de TurboFreeze™

Active TurboFreeze para restaurar rápidamente las temperaturas del freezer luego de aperturas de puerta frecuentes.

### 6 Configuración TurboCool™

Activa TurboCool rápidamente para recuperar la temperatura de las comidas frescas luego de aperturas de puerta frecuentes.

### 7 Controles de bloqueo

Mantenga presionado por 3 segundos para bloquear el dispensador de hielo y agua y todos los botones de funciones y temperatura.

### 8 Luz del dispensador LED

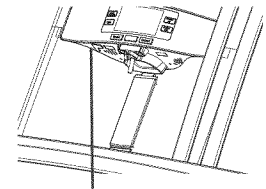
La Luz LED puede ser encendida/ apagada para iluminar el dispensador.

### 9 Alarma de la Puerta

Suena para alertarlo cuando las puertas del freezer o de comidas frescas se hayan dejado abiertas. Mantenga presionada la tecla **Door Alarm** (Alarma de la Puerta) y esto alternará el sonido entre bajo, alto y apagado.

### 10 Carga de fotos\*

Inserte la tarjeta de memoria USB para cargar fotos personales en la pantalla de LCD del refrigerador. El LCD brindará instrucciones en pantalla sobre la carga y visualización de diapositivas. Asegúrese de que las fotos estén en el directorio raíz de su USB.



Tapa del USB

### 11 Configuración de la máquina de hacer hielo

Enciende/ apaga sus máquinas de hacer hielo

### 12 Sistema de enfriamiento Encendido/Apagado

Mantenga presionadas las teclas Fridge (Refrigerador) y Ice Maker (Máquina de Hielos) de forma simultánea por 3 segundos, para encender o apagar el sistema de enfriamiento.

### 13 Unidades métricas/ inglesas

Mantenga presionadas las teclas Ice Maker (Máquina de Hielos) y la alarma de la puerta de forma simultánea por 3 segundos, para cambiar entre las unidades métrica e inglesa.

### 14 Configuraciones adicionales:

- Carga y borrado de fotos
- Diapositivas
- Connected Home (Hogar Conectado) está listo
- Reinicie el filtro de agua
- Máquina de hacer hielo encendida/ apagada
- Alarma de la puerta
- Control de sonido
- Sistema de enfriamiento encendido/ apagado
- Unidades métricas/ inglesas
- Tutorial de video de auto llenado

#### Modos Adicionales

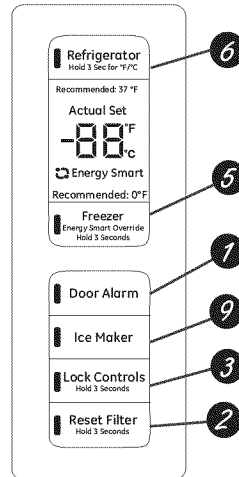
##### • Modo Sabático

Mantenga presionado el bloqueo y la luz de forma simultánea por 3 segundos para entrar/ salir del modo Sabático.

Active el Modo Sabático para apagar las luces internas, el control de temperatura y las funciones avanzadas. El compresor funcionará con una descongelación por tiempo cuando esté en modo Sabático

\*Modelos Selectos Únicamente

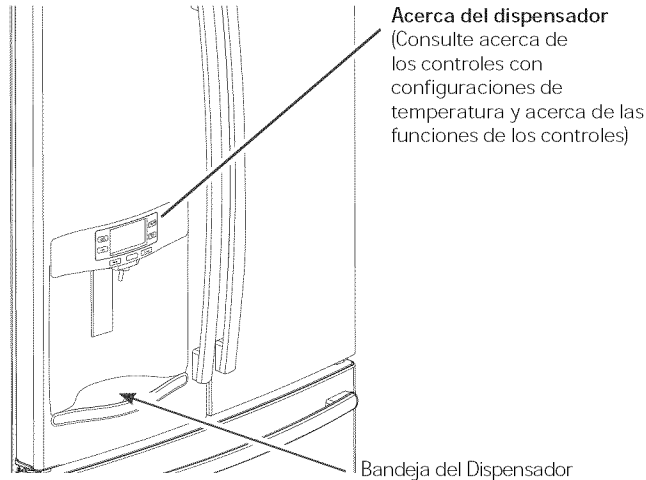
## Estilo de Control C, Controles Internos GNE29, PWE23



- 1 Alarma de la Puerta**  
Suena para alertarlo cuando las puertas del freezer o de comidas frescas se hayan dejado abiertas.
- 2 Reinicio del Filtro\***  
Espere 3 segundos luego de reemplazar el filtro.
- 3 Controles de Bloqueo**  
Mantenga presionado por 3 segundos para bloquear el dispensador de hielo y agua y todos los botones de funciones y temperatura
- 4 Control de temperatura del freezer**  
Ajusta la temperatura del compartimiento del freezer.
- 5 Control de temperatura del refrigerador**  
Adjust fresh food compartment temperature
- 6 Configuración de la máquina de hacer hielo**  
Enciende/ apaga sus máquinas de hacer hielo

\*Modelos Selectos Únicamente

## Acerca del dispensador.\*



**Acerca del dispensador**  
(Consulte acerca de los controles con configuraciones de temperatura y acerca de las funciones de los controles)

Bandeja del Dispensador



**ADVERTENCIA**

### Riesgo de Laceración

- Nunca coloque los dedos o cualquier otro objeto en la abertura de descarga de la picadora de hielo. Hacer esto puede resultar en el contacto entre los filos de la picadora de hielo y ocasionar lesiones graves o una amputación.
- Use un vidrio resistente al dispensar hielo. Un vidrio no resistente se podrá romper y ocasionar lesiones personales.

Si no se dispensa agua cuando el refrigerador se instala por primera vez, es posible que la tubería de agua posea aire. Presione la paleta dispensadora durante por lo menos cinco minutos para eliminar el aire atrapado de la tubería de agua y para llenar el sistema de agua. A fin de limpiar las impurezas en la tubería de agua, descarte los seis primeros vasos de agua.

### A fin de eliminar la Bandeja del Dispensador (Tipo A Únicamente)

- A fin de eliminar la Bandeja del Dispensador
- Ubique la lengüeta en el centro sobre la parte inferior y empuje hacia adentro.
- Empuje el ensamble de la Bandeja del Dispensador hacia afuera.
- Levante la Bandeja del Dispensador de metal hacia afuera en la ranura central para limpiar.

### A fin de eliminar la Bandeja del Dispensador (Tipo B Únicamente)

- Empuje la Bandeja del Dispensador hacia afuera.

### Para reinstalar la Bandeja del Dispensador (Tipo A Únicamente)

- Coloque la tapa de la Bandeja del Dispensador sobre la bandeja de agarre y posicione la misma debajo de los dos tensores sobre cada lado.
- Centre la bandeja del dispensador y alinee la misma con las guías centrales.
- Empuje hacia adentro hasta que esté firmemente en su lugar.

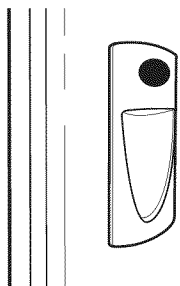
### A fin de eliminar la Bandeja del Dispensador (Tipo B Únicamente)

- Centre la Bandeja del Dispensador y empuje la misma hasta que calce en su posición.

## Hechos Importantes sobre Su Dispensador

- No agregue hielo de bandejas o bolsas a la hielera de la máquina de hacer hielo de la puerta. Es posible que no lo pique o vierta correctamente.
- Evite llenar el vaso con hielo de forma excesiva y use vasos angostos. El hielo estancado puede trabar el vertedor o hacer que la puerta del vertedor quede cerrada por congelación. Si el hielo bloquea el vertedor, retire la hielera y desbloquee el mismo con una cuchara de madera.
- Las bebidas y las comidas no se deberán enfriar de forma rápida en el cajón de almacenamiento de hielo. Las latas, botellas o paquetes de comida en el cajón de almacenamiento pueden hacer que la máquina de hacer hielo o el taladro se bloqueen.
- Para que el hielo dispensado no caiga afuera del vaso, coloque el vaso cerca de, pero sin que tenga contacto con, la abertura del dispensador.
- Es posible que cierta cantidad de hielo picado sea dispensada incluso aunque haya seleccionado CUBED ICE (Hielo en Cubos). Esto sucede ocasionalmente cuando algunos cubos son dirigidos accidentalmente a la picadora.
- Una vez que el hielo picado es dispensado, es posible que parte del agua gotee del vertedor.
- A veces se formará una pequeña cantidad de nieve en la puerta del vertedor de hielo. Esta condición es normal y habitualmente sucede cuando se dispensó hielo picado en forma repetida. La nieve finalmente se evaporará.

## Para Usar el Dispensador de Agua Interno\*



El dispensador de agua está ubicado en la pared izquierda dentro del compartimiento del refrigerador.

### Para dispensar agua:

- 1 Sostenga el vaso contra el hueco.
- 2 Presione el botón dispensador de agua.
- 3 Sostenga el vaso debajo del dispensador entre 2 y 3 segundos luego de liberar el botón del dispensador. Es posible que continúe dispensando agua luego de que el botón fue liberado.

Si no se dispensa agua cuando el refrigerador se instala por primera vez, es posible que la cañería de agua posea aire. Presione el botón dispensador durante por lo menos 5 minutos para eliminar el aire atrapado de la cañería de agua y para llenar el sistema de agua. Durante este proceso, es posible que el dispensador produzca un ruido fuerte a medida que se elimina el aire de la cañería de agua. A fin de limpiar las impurezas en la cañería de agua, descarte los seis primeros vasos de agua.

**NOTA:** A fin de evitar depósitos de agua, el dispensador debe ser limpiado en forma periódica con un paño limpio o una esponja.

### Para Usar LLENADO AUTOMÁTICO CON MANOS LIBRES:

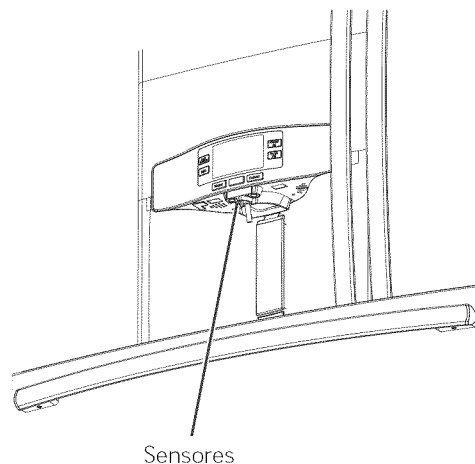
- Centre el envase en la Bandeja del Dispensador de Receso (sin tocar los sensores inferiores) y retire la mano del envase
- Presione **AUTO FILL (LLENADO AUTOMÁTICO)**.

### Para Detener AUTO FILL (LLENADO AUTOMÁTICO)

- Presione **CANCEL (CANCELAR)**; para reiniciar el llenado presione **AUTO FILL (LLENADO AUTOMÁTICO)**.

### Factor Importante acerca del LLENADO AUTOMÁTICO

- Para obtener resultados óptimos, use un envase uniforme entre 4 y 8" de alto y entre 2 y 6" de ancho. El envase ser tan alto como los sensores inferiores.
- La forma del envase, el nivel de llenado y la funcionalidad podrán variar en los envases de altura superior a 8".
- Los volúmenes de los envases podrán variar; si aparece el mensaje de error (Envase No Encontrado", intente usar un envase diferente.
- El tiempo de **AUTO FILL (LLENADO AUTOMÁTICO)** concluirá.
- Las manijas y decoraciones sobre el borde del envase podrán ocasionar desbordes o variaciones en los volúmenes de llenado.
- Se podrán producir salpicaduras dependiendo de la ubicación del envase, el nivel de flujo del agua, la forma del envase, y los cubos de hielo.
- Conserve los sensores limpios con una tela húmeda y limpia, y no rocíe líquido ni limpiadores directamente sobre los sensores.
- **AUTO FILL (LLENADO AUTOMÁTICO)** funciona mejor con una presión de agua del hogar de 40 a 100 psi.



# Acerca del cartucho del filtro de agua RPWFE de GE®.

## Cartouche filtrante à eau

La cartouche filtrante à eau est située sur la paroi gauche de l'intérieur du compartiment réfrigérateur, dans le haut.

Certains modèles utilisent l'identification par radiofréquence (IRF) pour détecter les fuites et contrôler l'état du filtre. La technologie IRF est homologuée par la FCC.

FCCID: ZKJ-EBX1532P001 ICID: 10229A-EBX1532P001

« Cet appareil est conforme aux prescriptions de la partie 15 des règles de la FCC. Le fonctionnement de cet équipement est assujéti aux deux conditions suivantes : (1) Cet appareil ne doit pas causer de brouillage préjudiciable; et (2) cet appareil doit accepter tout brouillage qu'il reçoit, y compris celui pouvant entraîner un fonctionnement indésirable. »

« Cet appareil est conforme aux normes RSS d'Industrie Canada relatives aux dispositifs exempts de licence. Le fonctionnement de cet équipement est assujéti aux deux conditions suivantes : (1) Cet appareil ne doit pas causer de brouillage; et (2) cet appareil doit accepter tout brouillage, y compris celui pouvant entraîner un fonctionnement indésirable. »

## À quel moment remplacer la cartouche filtrante

La cartouche filtrante doit être remplacée tous les 6 mois ou plus tôt si 644 litres (170 gallons) d'eau ont été distribués ou si le débit d'eau du distributeur ou de la machine à glaçons diminue.

**Modèles à écran tactile :** Un message d'état du filtre apparaîtra à l'écran lorsqu'il faudra remplacer le filtre à eau. L'état du filtre sera mis à jour dès le remplacement du filtre.

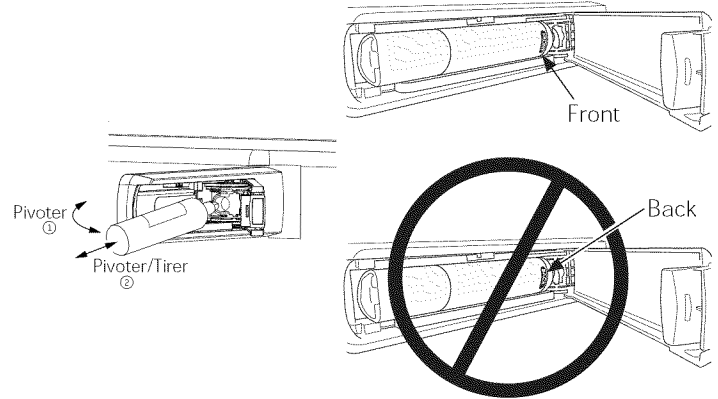
**Modèles sans écran tactile :** Un témoin lumineux s'allumera sur l'écran lorsqu'il faudra remplacer le filtre à eau.

## Remplacement de la cartouche filtrante

Pour remplacer le filtre, retirer d'abord la cartouche usée en ouvrant le panneau d'accès du filtre puis tirer sur le bas de la cartouche pour permettre son pivotement vers l'extérieur. Lorsque la cartouche ne peut plus pivoter, tirer délicatement pour la dégager de son support. NE PAS TORDRE LA CARTOUCHE. Une petite quantité d'eau pourrait s'échapper.

## Installation de la cartouche filtrante

1. Alinee la parte superior del cartucho del filtro con el suspensor del cartucho con la palabra "FRONT" (Frente) hacia afuera; luego empuje el cartucho hacia la parte trasera de la unidad hasta que esté totalmente insertado. ¡NO TUERZA EL CARTUCHO DEL FILTRO!



2. Tout en s'assurant que la cartouche se trouve bien au fond de son support, pivoter délicatement la cartouche vers l'intérieur jusqu'en position. Si la cartouche ne pivote pas aisément, s'assurer qu'elle est correctement alignée et bien à fond dans son support.
3. Faites circuler 8 litres (2 gallons) d'eau dans le distributeur d'eau froide (environ 5 minutes) afin d'évacuer l'air du système. **De l'eau jaillira du distributeur suite à l'installation d'une nouvelle cartouche.** Utiliser une grande cruche ou une bouteille d'eau pour le sport pour recueillir le jet d'eau. NE PAS utiliser le distributeur d'eau chaude tant que l'air n'est pas totalement évacué du système.
4. Réinitialiser le message d'état du filtre (modèles sans écran tactile).



## Risque d'ébouillement.\*

L'utilisation du distributeur d'eau chaude avant l'évacuation de l'air du système peut provoquer un jaillissement d'eau très chaude causant des brûlures. Veiller à observer les instructions ci-dessus pour évacuer la totalité de l'air du système par le distributeur d'eau froide avant d'utiliser le distributeur d'eau chaude.

Nota : Il est normal d'apercevoir un changement de la couleur de l'eau lors de la purge initiale du système. La couleur de l'eau reviendra à la normale après quelques minutes d'écoulement.

## Bouchon de dérivation du filtre

Pour réduire le risque de dommage à la propriété en raison de fuites d'eau, vous **DEVEZ** utiliser un bouchon de dérivation du filtre lorsqu'une cartouche filtrante de rechange n'est pas disponible. Le distributeur et la machine à glaçons ne fonctionneront pas sans que ne soient installés le filtre ou le bouchon de dérivation. Le bouchon de dérivation s'installe de la même manière que la cartouche filtrante.

\*Modelos Selectos Únicamente



Pour réduire le risque d'étouffement pendant l'installation de ce produit, ne pas laisser les petites pièces à la portée des enfants âgés de moins de 3 ans. La cartouche de filtre jetable doit être remplacée tous les 6 mois, si sa capacité nominale est atteinte ou si une réduction notable du débit est observée.

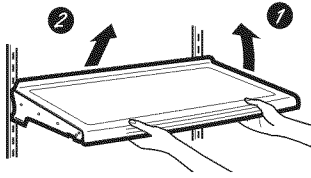
Pour les meilleurs résultats de votre système de filtration, GE recommande l'utilisation de filtres de marque GE seulement. L'utilisation de filtres de marque GE dans les réfrigérateurs GE et Hotpoint® procure les meilleurs rendement et fiabilité. Les filtres GE satisfont aux rigoureuses normes NSF de l'industrie relatives à la sûreté et la qualité, facteur important pour les produits qui filtrent votre eau. GE n'a pas évalué le rendement des filtres d'autres marques dans les réfrigérateurs GE et Hotpoint et il n'existe aucune assurance qu'ils satisferont les normes de qualité et de fiabilité GE.

Pour toute question ou pour commander des cartouches filtrantes de rechange, visitez notre site Web au [www.geappliance.ca](http://www.geappliance.ca), ou composez le 800.661.1616.

Les consommateurs du Canada doivent consulter les pages jaunes pour connaître le centre de service Camco le plus proche.

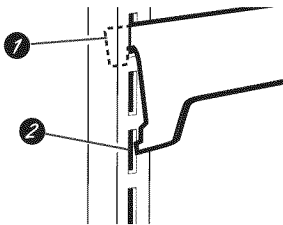
## Cómo Reorganizar los Estantes

Los estantes del compartimento del refrigerador son ajustables.



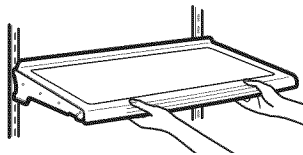
### Para retirar:

- 1 Retire todos los artículos del estante.
- 2 Incline el estante hacia arriba en la parte frontal.
- 3 Levante el estante hacia arriba desde la parte trasera y retire el mismo.



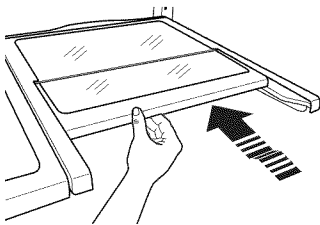
### Para reemplazar:

- 1 Al inclinar el estante hacia arriba, inserte el gancho superior en la parte trasera del estante en una ranura del soporte.
- 2 Incline hacia abajo la parte frontal del estante, hasta que la parte inferior del mismo quede bloqueada.



## Estantes a Prueba de Derrames

Los estantes a prueba de derrames poseen extremos especiales que ayudan a evitar derrames sobre estantes inferiores.



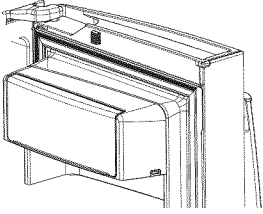
## Estante Quick Space\*

Este estante se divide a la mitad y se desliza por debajo de sí mismo para almacenar productos altos en el estante de abajo.

Este estante puede ser retirado y reemplazado o reubicado (al igual que los estantes a prueba de derrames).

**NOTA:** La mitad trasera del Estante Quick Space no es ajustable.

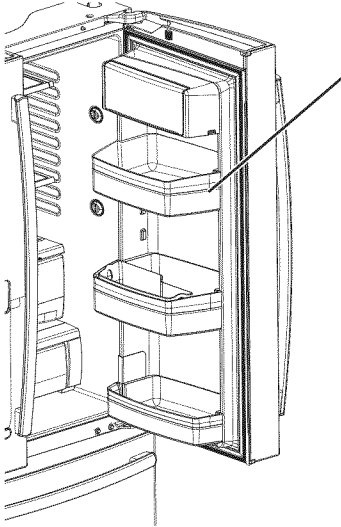
## Acerca de las opciones de almacenamiento de comidas frescas.



### Recipiente de Lácteos No Ajustable

**Para retirar:** Levante el recipiente de forma recta y luego empuje hacia afuera.

**Para reemplazar:** Adhiera el recipiente en los soportes de puerta moldeados y empuje hacia abajo. El recipiente se bloqueará en el lugar. Lea la página 33.



### Recipientes Ajustables a la Puerta

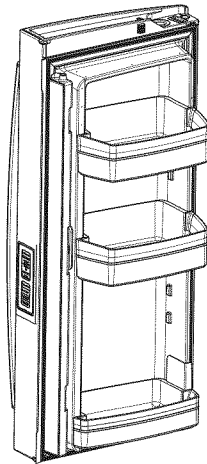
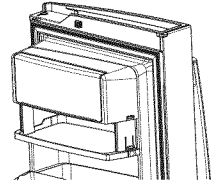
Los recipientes ajustables pueden ser llevados fácilmente del refrigerador al área de trabajo.

**Para retirar el mismo:** Levante el recipiente de forma recta y luego empuje hacia afuera.

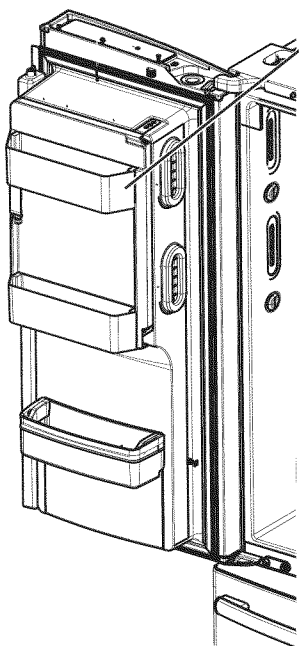
**Para reemplazar o reubicar:** Deslice el recipiente justo sobre los soportes de puerta moldeados y empuje hacia abajo. El recipiente se bloqueará en el lugar (lea la página 33).

### Bandeja desplegable \* (bandeja abierta)

1. Abra la puerta derecha de comidas frescas.
2. Presione ambos botones en los lados inferiores del recipiente y este último se desplegará.
3. Dé vuelta para reinstalar.



### Modelos sin Dispensación (Puerta Izquierda)



### Recipientes No Ajustables a la Puerta - (Modelos con Dispensador - Puerta Izquierda)

**Para retirar:** Levante el recipiente de forma recta y luego empuje hacia afuera.

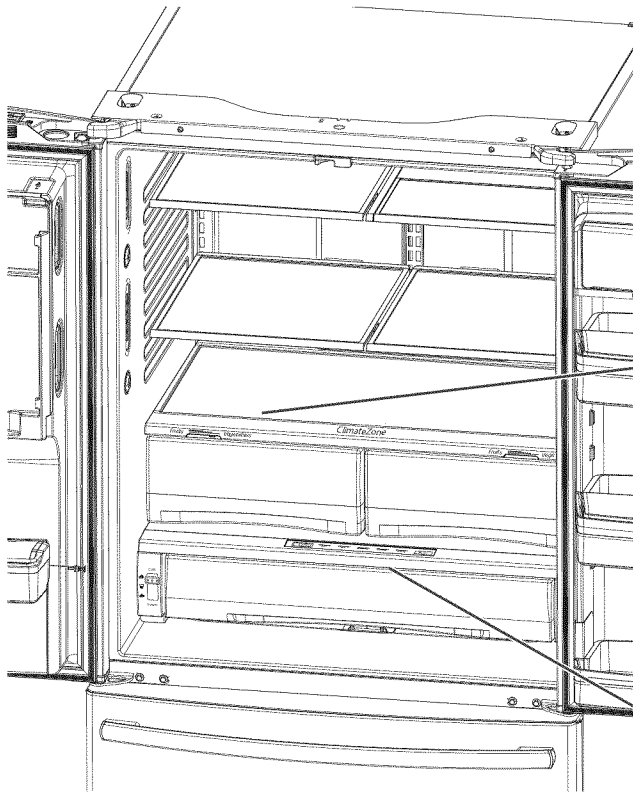
**Para reemplazar:** Adhiera el recipiente en los soportes de puerta moldeados y empuje hacia abajo. Esto lo bloqueará en el lugar.

Los recipientes de la puerta de la máquina de hacer hielo no son intercambiables; observe la ubicación al realizar su retiro y reemplace el recipiente en su ubicación correcta.

\*Modelos Selectos Únicamente



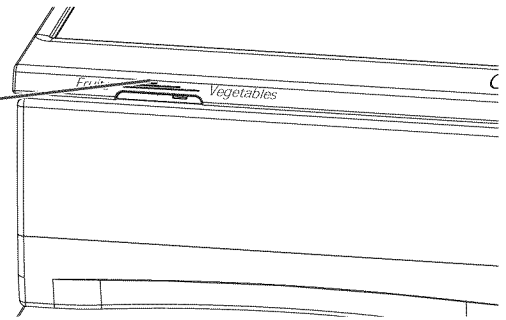
# Acerca de climate zone (área climática) y del cajón con control de temperatura.



## ClimateZone

Mantenga las frutas y verduras organizadas en compartimientos separados para un fácil acceso.

El exceso de agua que se puede acumular en la parte inferior de los cajones o debajo de los mismos se deberá limpiar.

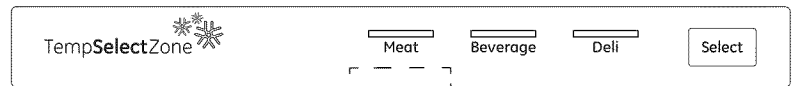


## Cajón con Control de Temperatura\*

El Cajón con Control de Temperatura es un cajón de anchura completa con control de temperatura ajustable. Este cajón puede ser usado para productos grandes de tipos variados.

Para cambiar la configuración, presione el botón de selección.

**Nota:** Las temperaturas indican las temperaturas adecuadas para la comida y la temperatura real puede variar de acuerdo con el funcionamiento normal y otros factores tales como aperturas de puertas y el punto de configuración de comidas frescas.



**⚠ PRECAUCIÓN** **Riesgo de Laceración.**  
No guarde botellas de vidrio en esta ubicación. Si están congeladas, se podrán romper y producir lesiones personales.

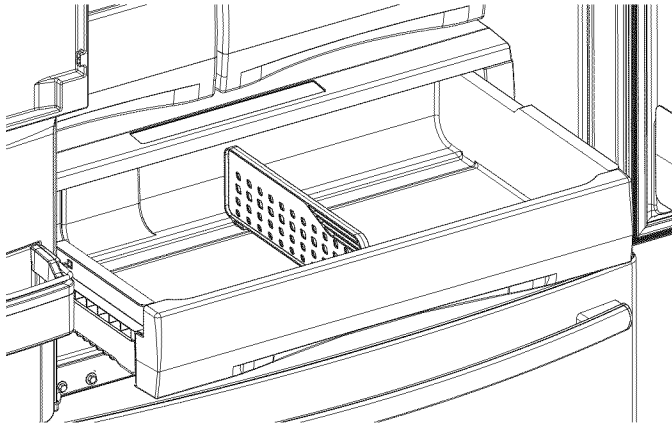
\*Modelos Selectos Únicamente

## Acerca de climatezone (área climática) y del cajón con control de temperatura.

### Cómo Retirar y Reemplazar el Cajón Ajustable de Embutidos/ Productos Cultivados

#### Para retirar:

- 1 Empuje el cajón fuera de su posición final.
- 2 Levante la parte frontal del cajón hacia arriba y hacia afuera.



#### Para reemplazar:

- 1 Empuje los costados izquierdo y derecho hasta que estén completamente extendidos.
- 2 Primero vuelva a colocar el cajón nuevamente y gire el mismo del frente hacia abajo para que se apoye en el deslizador.
- 3 Empuje el cajón hacia adentro hasta la posición cerrada.

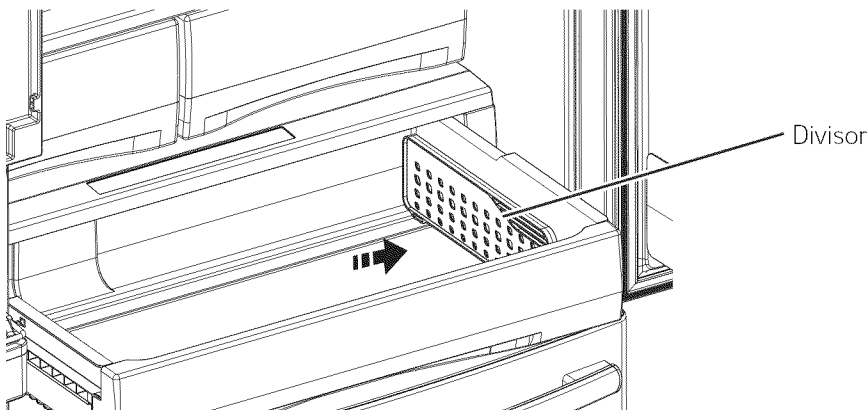
### Cómo Retirar y Reemplazar el Divisor del Cajón\*

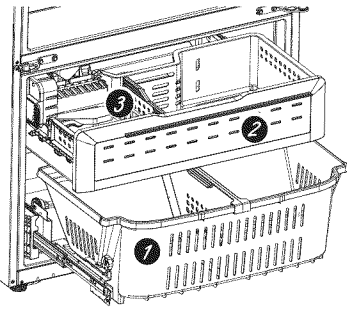
#### Para retirar:

- 1 Empuje el cajón fuera de su posición final.
- 2 Levante el lado frontal del divisor para desenganchar el mismo de la pared trasera del cajón.

#### Para reemplazar:

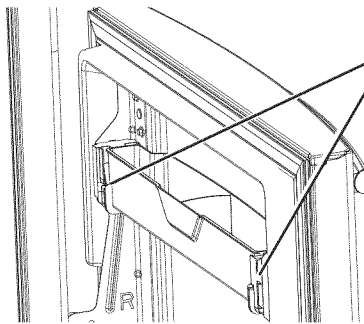
- 1 Hook the back of the divider over the rear wall of the drawer.
- 2 Empuje el divisor hacia abajo.





## Canasta y Cajón del Freezer

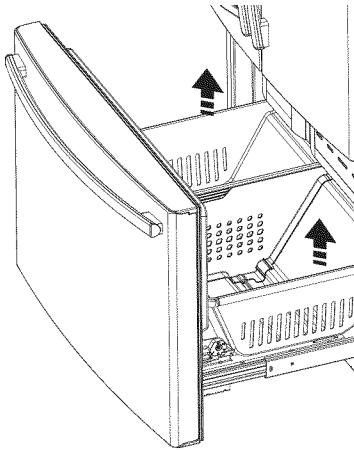
- 1 Canasta
- 2 Cajón
- 3 Hielera \*



## Recipiente No Ajustable en el Freezer

**Para retirar:** Empuje hacia adentro la lengüeta plástica, ya sea hacia la izquierda o la derecha.

**Para reemplazar:** Deslice el recipiente en la ubicación hasta que quede bloqueado.



## Retiro de la Canasta

**Para retirar los modelos de Profundidad Estándar únicamente:**

- 1 Abra la puerta del freezer hasta la posición de detención.
- 2 Retire el cubo de la puerta del freezer empujando la lengüeta de plástico tanto hacia la derecha como hacia la izquierda para liberar el perno de las bisagras del cubo.
- 3 Retire la canasta del freezer levantando su parte trasera y moviendo la misma hacia atrás hasta que el frente se pueda rotar hacia arriba y afuera.
- 4 Levante hacia afuera para retirar la misma.

**Para retirar los modelos PYE y PWE únicamente:**

- 1 Abra las puertas de alimentos frescos.
- 2 Abra la puerta del freezer hasta la posición de detención.
- 3 Retire la canasta del freezer levantando la parte trasera de la canasta y rotando la misma hacia arriba.
- 4 Levante hacia afuera y retire la misma.

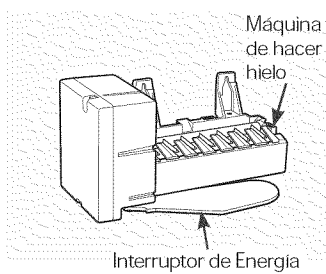
**Para reemplazarla:**

Invierta el paso 1 al 4 para reemplazarla.

\*Modelos Selectos Únicamente

# Acerca de la máquina de hacer hielo automática.

Puede llevar entre 12 y 24 horas que un refrigerador recién instalado comience a fabricar hielo.



## Máquina de Hacer Hielo Automática\*

La máquina de hacer hielo producirá siete cubos por ciclo, y aproximadamente entre 100 y 130 cubos en un período de 24 horas, dependiendo de la temperatura del compartimiento del freezer, la temperatura ambiente, la cantidad de veces que se abra la puerta y otras condiciones de uso.

La máquina de hacer hielo se llenará de agua cuando se enfríe y llegue a los 15°F (-10°C). Puede llevar entre 12 y 24 horas que un refrigerador recién instalado comience a fabricar hielo.

Si el refrigerador es utilizado antes de realizar las conexiones de la tubería de agua a la unidad o si el suministro de agua a un refrigerador en funcionamiento es apagado, asegúrese de que la máquina de hacer hielo esté apagada. Una vez que el agua haya sido conectada al refrigerador, la máquina de hacer hielo podrá ser encendida. Para más detalles, lea la tabla que aparece más abajo.

Es posible que escuche un zumbido cada vez que la máquina de hacer hielo se llene de agua.

Descarte las primeras cantidades de hielo para permitir que el suministro de agua se despeje.

Asegúrese de que nada interfiera con la extensión del brazo indicador.

Cuando el cubo se llene hasta el nivel del interruptor de energía, la máquina de hacer hielo dejará de producir hielo. Es normal que varios cubos queden juntos.

Si el hielo no se usa con frecuencia, los cubos de hielo viejos se volverán turbios, con sabor rancio y su tamaño se reducirá.

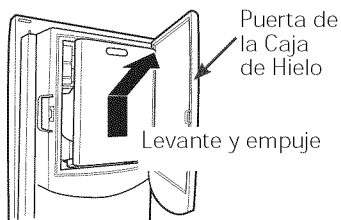
**NOTA:** En hogares con un nivel de presión inferior a la normal, es posible que escuche que la válvula de agua de la máquina de hacer hielo realice varios ciclos para producir una cantidad de hielo.

## ADVERTENCIA

Para minimizar el riesgo de lesiones personales, evite el contacto con las partes móviles del mecanismo eyector o con el elemento de calefacción que libera los cubos. No coloque los dedos ni las manos en el mecanismo de la máquina de hielo automática mientras el refrigerador esté enchufado.

## Cómo Encender/ Apagar la Máquina de Hacer Hielo

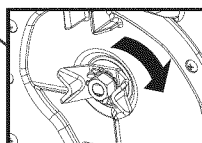
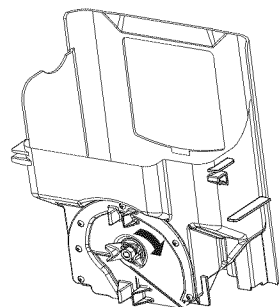
| Tipo de Pantalla (Lea la Página 96-97) | Nº de Modelo             | Cómo Encender/ Apagar la Máquina de Hacer Hielo      |
|--|--------------------------|--|
| Estilo de Control A                    | PFE28, PYE22P            | Use el menú de configuraciones en la pantalla táctil |
| Estilo de Control B                    | PFE28/2627, DFE28, GYE22 | Use el botón "ICE MAKER" (Hielera) en el control     |
| Estilo de Control C                    | GNE29, PWE23             | Use el botón "ICE MAKER" (Hielera) en el control     |



## Hielera y Dispensador\*

- Abra la puerta de la caja de hielos dentro de la puerta izquierda.
- Empuje hacia arriba y afuera la hielera en la puerta del lado izquierdo para retirar la misma del compartimiento.
- Para reemplazar la hielera, ajuste la misma a los soportes de la guía y empuje hasta que la hielera se ubique correctamente.
- Si la hielera no se puede reemplazar, gire la horquilla de la hielera ¼ en dirección de las agujas del reloj.

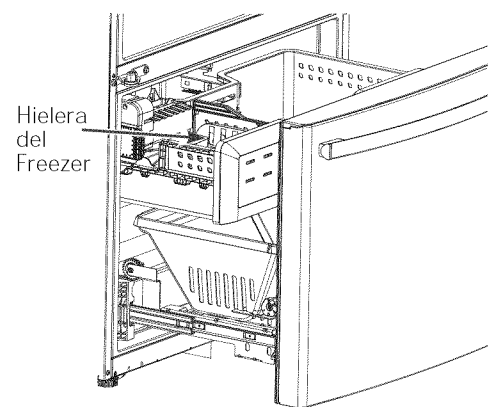
- La hielera se encuentra ubicada en el lado izquierdo de la canasta superior.
- Empuje la canasta superior hacia adelante para retirar la hielera.



## Almacenamiento de Hielo Adicional\*

El cajón del compartimiento del freezer cuenta con almacenamiento de hielo adicional.

- Abra el cajón de freezer.



\*Modelos Selectos Únicamente

## Limpieza de la Parte Exterior

### Los paneles de acero inoxidable, manijas de las puertas y componentes.

Los puertas y las manijas de las puertas de acero inoxidable (en algunos modelos) pueden ser limpiados con un limpiador para acero inoxidable para usos comerciales. Los limpiadores con ácido oxálico tales como Bar Keepers Friend Soft Cleanser™ eliminarán el óxido sobre la superficie, deslustres y pequeñas manchas. Use sólo un limpiador líquido libre de material abrasivo y frote en la dirección de las líneas del cepillo con una esponja suave y húmeda. No utilice cera para electrodomésticos sobre el acero inoxidable.

### Partes plásticas con acentos de plata.

Lave las partes con jabón u otros detergentes suaves. Limpie con una esponja, una tela húmeda o toallas de papel.

No use estropajos, limpiadores en polvo, blanqueadores o limpiadores que contengan blanqueadores, ya que estos productos pueden rayar y dañar la terminación de la pintura.

**Si es necesario limpiar la bandeja de derrames, use un eliminador de sarro.**

## Limpieza de la Parte Interior

**Para evitar olores,** deje abierta una caja de bicarbonato de sodio en los compartimientos del refrigerador y del freezer.

### Desenchufe el refrigerador antes de limpiar.

Si esto no resulta práctico, estruje el exceso de humedad para eliminarlo de la esponja o tela al limpiar alrededor de los interruptores, luces o controles.

Use un pulidor de cera para electrodomésticos en la superficie interior entre las puertas.

Use agua caliente y solución de bicarbonato de sodio — aproximadamente una cucharada sopera (15 ml) de bicarbonato de sodio para un cuarto de galón (1 litro) de agua. Esto limpia y neutraliza los olores. Enjuague y seque.

### **PRECAUCIÓN**

No limpie estantes de vidrio ni tapas con agua caliente cuando estén fríos. Los estantes de vidrio y las tapas se pueden romper si son expuestos a cambios de temperatura repentinos o impactos tales como sacudones o caídas. El vidrio templado está diseñado para destruirse en pequeñas piezas en caso de rotura.

No lave ninguna parte plástica del refrigerador en la lavadora de platos.

## Detrás del Refrigerador

Tenga cuidado al alejar el refrigerador de la pared. Cualquier tipo de cobertura de piso puede ser dañada, particularmente las coberturas acolchonadas y aquellas con superficies con relieves.

Levante las patas niveladoras ubicadas en la parte frontal interior del refrigerador.

Empuje el refrigerador hacia afuera de forma recta y regrese

el mismo a su posición empujándolo hacia adentro. Mover el refrigerador hacia una ubicación lateral podrá ocasionar daños sobre la cobertura del piso o el refrigerador.

Baje las patas niveladoras hasta que toquen el piso.

**Al volver a empujar el refrigerador, asegúrese de que no atraviese el cable de corriente ni la tubería de suministro de agua.**

## Preparación para las vacaciones

Si estará de vacaciones o ausente por tiempo prolongado, retire la comida y desenchufe el refrigerador. Limpie el interior con una solución de bicarbonato de sodio de una cucharada sopera (15 ml) de bicarbonato de sodio para un cuarto de galón (1 litro) de agua. Deje las puertas abiertas.

**Modelos con LCD:** Apague el refrigerador del control (pág. 96-97).

Si la temperatura puede llegar a estar por debajo de la congelación, solicite a un técnico calificado que drene el sistema de suministro de agua a fin de prevenir daños graves sobre la propiedad debido a una inundación.

1) Apague el refrigerador (pág. 7) o desenchufe el refrigerador.

2) Vacíe la hielera

3) Cierre el suministro de agua

**Si cierra el suministro de agua, apague la máquina de hacer hielo (pág. 108).**

Al regresar de sus vacaciones:

1) Reemplace el filtro de agua.

2) Deje correr 2 galones de agua a través del dispensador de agua fría (aproximadamente 5 minutos) a fin de eliminar el aire del sistema.

## Preparación para la Mudanza

Asegure todos los ítems tales como estantes y cajones, pegando los mismos de forma segura en sus respectivos lugares a fin de evitar daños.

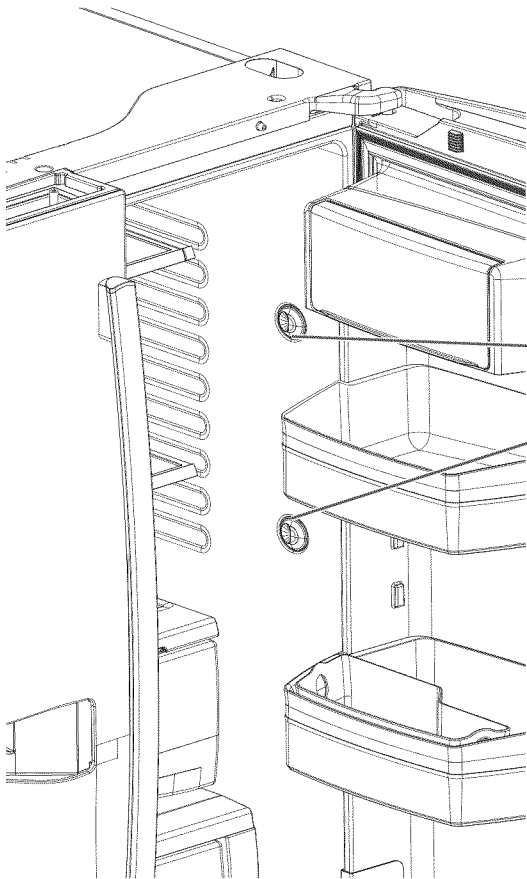
Al usar un carro manual para mover el refrigerador, no deje que la parte frontal ni la parte trasera descansen contra el carro manual. Esto podría dañar el refrigerador.

Lleve el mismo sólo sobre los costados del refrigerador.

**Asegúrese de que el refrigerador permanezca en una posición erguida durante el movimiento.**

# Reemplazo de las luces

## Luces del Refrigerador (LEDs)



Hay una luz LED en el compartimento de comidas frescas y en la parte inferior de las puertas de comidas frescas para iluminar el compartimento del freezer.\*

Será necesario que un técnico autorizado reemplace las luces LED.

En caso de ser necesario un reemplazo de este ensamble, llame al Servicio Técnico de GE al 1.800.432.2737 en Estados Unidos o al 1.800.561.3344 en Canadá.

\*Modelos Selectos Únicamente

# Instrucciones de Instalación

# Refrigerador

Modelos GE y GE Profile™

¿Preguntas? Llame a 800.GE.CARES (800.432.2737) o visite nuestro sitio web en: GEAppliances.com  
En Canadá, llame al 1.800.561.3344 o visite nuestro Sitio Web en: www.GEAppliances.ca

## ANTES DE COMENZAR

Lea estas instrucciones en su totalidad y atentamente.



ADVERTENCIA



Riesgo de Caída.

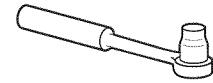
Los modelos con estilo incorporado (modelo PYE, CYE, y PWE) son inestables, especialmente con las puertas abiertas. Estos modelos deben ser asegurados con el soporte anti-volcaduras, a fin de evitar caídas hacia adelante, que podrían resultar en la muerte o lesiones graves. Lea y siga las instrucciones de instalación en su totalidad, a fin de instalar el soporte de piso anti-volcaduras embalado con su refrigerador.

- **IMPORTANTE** – Cumpla con todos los códigos y ordenanzas gubernamentales. Conserve estas instrucciones para uso del inspector local.
- **Nota para el Instalador** – Asegúrese de que el Consumidor conserve estas instrucciones.
- **Nota para el Comprador** – Conserve estas instrucciones para referencia futura.
- **Nivel de habilidad** – La instalación de este electrodoméstico requiere un nivel básico de habilidades mecánicas.
- **Tiempo de Instalación** – La instalación del refrigerador puede variar de acuerdo con la Instalación de la Tubería de Agua en unos 30 minutos
- La correcta instalación del producto es responsabilidad del instalador.
- Si se producen fallas en el producto debido a una instalación inadecuada la Garantía no cubrirá las mismas.

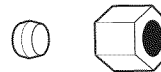
## HERRAMIENTAS QUE PUEDE NECESITAR



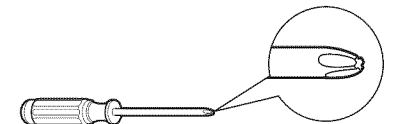
Llave Ajustable



Trinquete / Destornillador de 3/8"



Tuerca de Compresión de Diámetro Externo y Abrazadera de Refuerzo (manga) de 1/4"



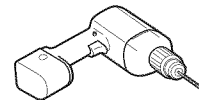
Destornillador con Cabeza Phillips



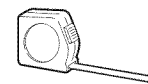
Llaves Allen de 1/8", 3/32", 1/4" y 5/32"



Destornillador con cabeza aplanada



Broca y Taladro Eléctrico o Manual de 1/8"



Cinta métrica



Llave de Tuercas de 1/4"



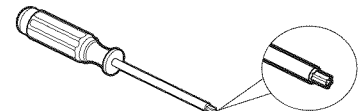
Lápiz



Nivel



Pinzas



Llave Torx T20, T25

## PREPARACIÓN

### CÓMO MOVER EL REFRIGERADOR EN UN ESPACIO INTERNO

Si el refrigerador no pasa por una puerta, la puerta del refrigerador y el cajón del freezer podrán ser retirados.

- Para retirar la puerta del refrigerador, consulte la sección Cómo Instalar el Refrigerador.
- Para retirar el cajón del freezer, consulte la sección Cómo Retirar el Cajón del Freezer.

### SUMINISTRO DE AGUA A LA MAQUINA DE HACER HIELO Y EL DISPENSADOR

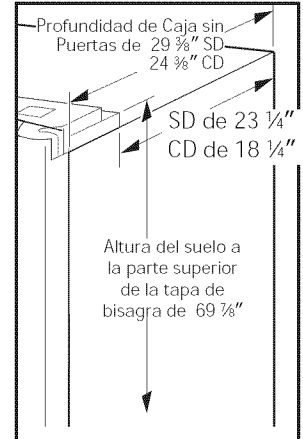
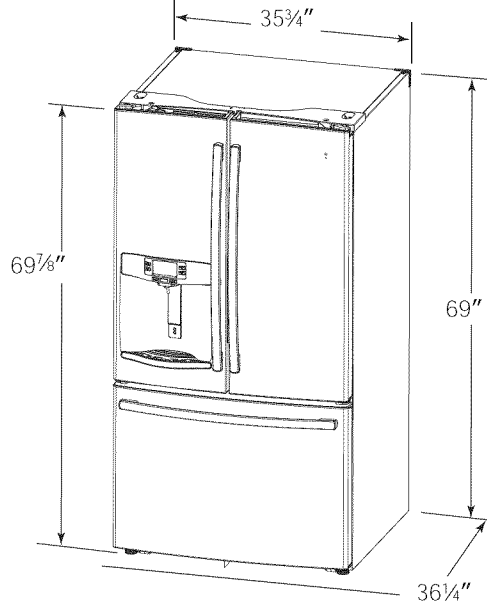
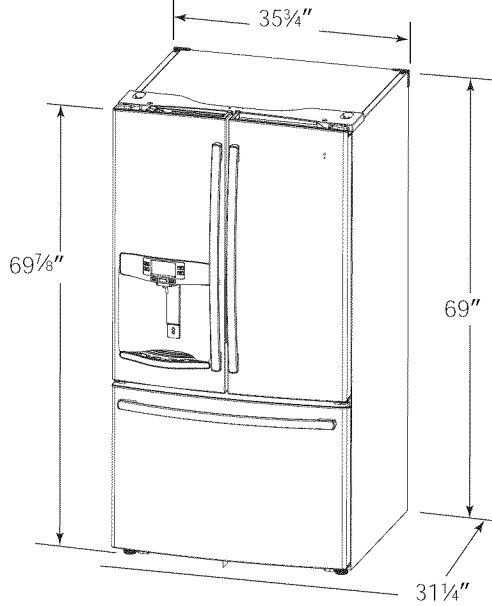
Si el refrigerador cuenta con una máquina de hacer hielo, deberá ser conectada al suministro de agua fría. Un kit de suministro de agua de GE (que contenga tubería, válvula de cierre, uniones e instrucciones) está disponible por un costo adicional a nivel minorista, visitando nuestro sitio web en GEAppliances.com (en Canadá en www.geappliances.ca) o en Parts and Accessories (Piezas y Accesorios), 800.626.2002 (en Canadá 1.800.661.1616).

# Instrucciones de Instalación

**DIMENSIONES** Todas las mediciones se dan con la pata niveladora completamente replegada.

Modelos con Profundidad de Mesada (CD) Únicamente

Modelos con Profundidad Estándar (SD) Únicamente



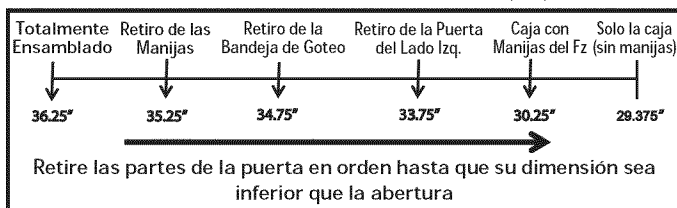
Dimensiones Adicionales

|   | SD      | CD      |
|---|---------|---------|
| Altura General a la Parte Superior de la Tapa de la Bisagra     | 69 7/8" | 69 7/8" |
| Altura hasta la Parte Superior del Gabinete                     | 69"     | 69"     |
| Profundidad de la Caja sin Puerta                               | 29 3/8" | 24 3/8" |
| Ancho General de la Caja Exterior                               | 35 3/4" | 35 3/4" |
| Profundidad Exterior General de las Puertas/Cajones con Manijas | 36 1/4" | 31 1/4" |

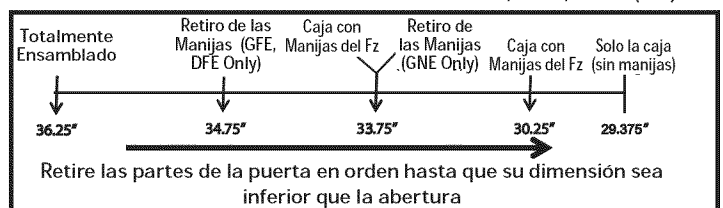
## CÓMO MOVER EL REFRIGERADOR

- Usando el siguiente cuadro, determine si el ancho de su pasillo es suficiente para la profundidad del refrigerador. Asegúrese de contar con espacio para evitar daños sobre el refrigerador antes de moverlo de forma segura hasta su ubicación final.
- Si los pasillos son lo suficientemente grandes como para ubicar el refrigerador sin retirar las manijas, continúe con el Paso 6. Deje la cinta, la envoltura y todo el embalaje en las puertas hasta que el refrigerador se encuentre en la ubicación final.
- **NOTA:** Use un carro manual con almohadillas o correas móviles para transportar el refrigerador. Coloque el refrigerador en el carro manual, apoyando un costado contra este último. Recomendamos enfáticamente que dos personas realicen el traslado y completen la instalación.

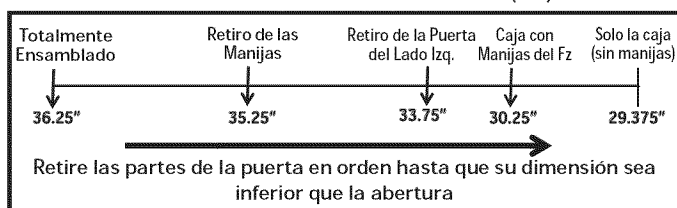
Si su número de modelo comienza con PFE (SD)



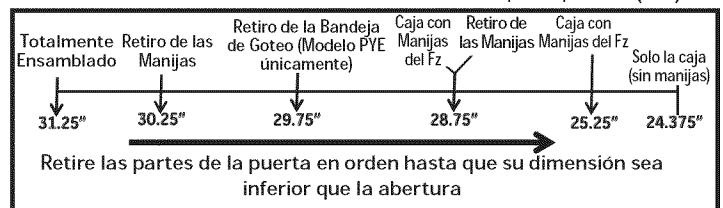
Si su número de modelo comienza con GFE, DFE, GNE (SD)



Si su número de modelo comienza con CFE (SD)



Si su número de modelo comienza con CYE, PYE, PWE (CD)





# Instrucciones de Instalación

## CÓMO INSTALAR EL REFRIGERADOR

### CÓMO INSTALAR EL REFRIGERADOR

- No instale el refrigerador donde la temperatura llegue a ser inferior a los 60°F (16°C), ya que no se activará con la frecuencia necesaria para mantener las temperaturas apropiadas.
- No instale el refrigerador donde la temperatura sea superior a los 100°F (37°C), ya que no funcionará de forma correcta.
- No instale el refrigerador en una ubicación expuesta al agua (lluvia, etc.) o en contacto directo con la luz solar.
- Instale el mismo en un piso lo suficientemente fuerte como para soportarlo completamente cargado.

### ESPACIO NECESARIO

Deje el siguiente espacio para facilitar la instalación, una adecuada circulación de aire y plomería y conexiones eléctricas.

|                |  |
|----------------|--|
| Costados       | 1/8" (3 mm)                                |
| Parte superior | Gabinete/ Tapa de la Bisagra de 1" (25 mm) |
| Parte trasera  | 2" (50 mm)                                 |

### CÓMO RETIRAR LAS PUERTAS DEL REFRIGERADOR

- **NOTA IMPORTANTE:** Este refrigerador posee una profundidad de 36 1/4" (31 1/4" para los modelos CYE). Las puertas y pasillos que conducen a la ubicación de la instalación deberán tener por lo menos 36 1/4" de ancho, a fin de poder dejar las puertas y manijas adheridas al refrigerador mientras se lo transporta hasta la ubicación de la instalación. Si los pasillos poseen menos de 36 1/4", las puertas y las manijas del refrigerador se podrán rayar y dañar fácilmente. La tapa superior y las puertas podrán ser retiradas, a fin de permitir que el refrigerador sea movido de forma segura en áreas interiores. Si los pasillos poseen menos de 31 1/4", comience por el Paso 1.
- Si no es necesario retirar las puertas, continúe con el Paso 11. Deje la cinta y todo el embalaje en las puertas hasta que el refrigerador se encuentre en su ubicación final.
- **NOTA:** Use un carro manual para transportar el refrigerador. Coloque el refrigerador en el carro manual, apoyando un costado contra este último. Recomendamos enfáticamente que DOS PERSONAS realicen el traslado y completen la instalación.

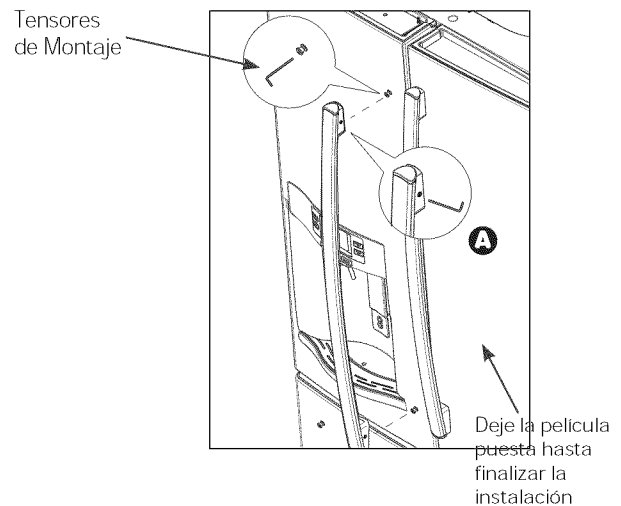
### 1 RETIRE LA MANIJA DE LA PUERTA DE COMIDAS FRESCAS

El Diseño del Mango varía dependiendo de los modelos; sin embargo, la instalación es igual.

Manijas de acero inoxidable y de plástico:

- **A** Afloje el conjunto de tornillos con la llave Allen de 1/8" y retire la manija.

**NOTA:** Si es necesario ajustar o retirar los tensores de montaje de la manija, use una llave Allen de 1/4".



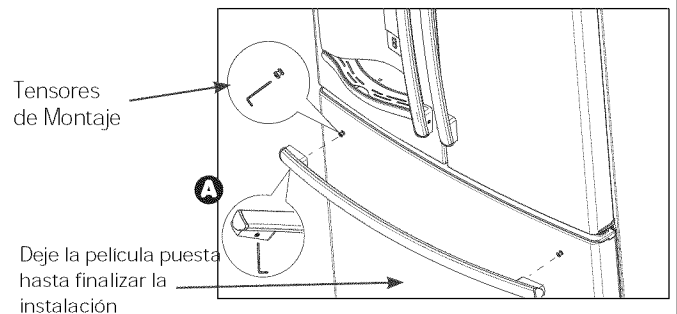
### 2 RETIRE LA MANIJA DE LA PUERTA DEL FREEZER

El Diseño del Mango varía dependiendo de los modelos; sin embargo, la instalación es igual.

Manijas de acero inoxidable y de plástico:

- **A** Afloje el conjunto de tornillos con la llave Allen de 1/8" y retire la manija.

**NOTA:** Si es necesario ajustar o retirar los tensores de montaje de la manija, use una llave Allen de 1/4".



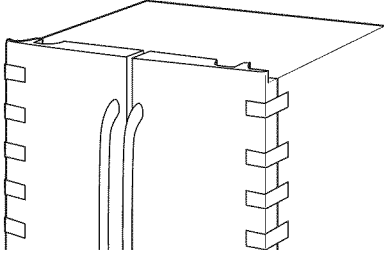
Vuelva a instalar las manijas usando el procedimiento que usó para retirar las mismas.

# Instrucciones de Instalación

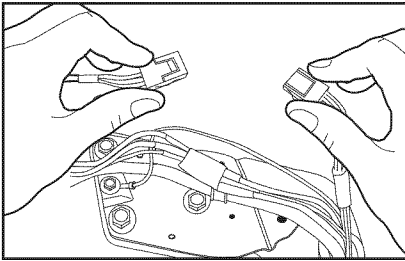
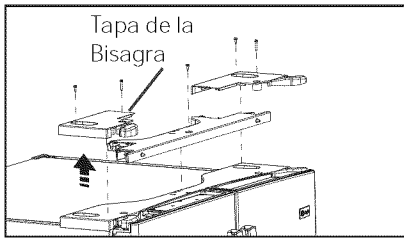
## CÓMO INSTALAR EL REFRIGERADOR (cont.)

### 3 RETIRE LAS PUERTAS DEL REFRIGERADOR

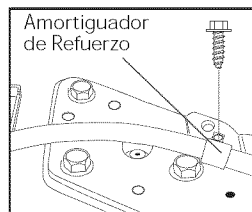
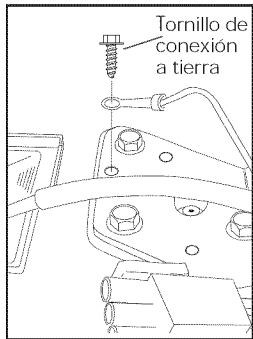
- A** De forma segura encinte el cierre de la puerta con cinta de mascarar o pida a otra persona que sostenga la puerta.



- B** Comience por la puerta del lado izquierdo: Retire la tapa de la bisagra en la parte superior de la puerta izquierda del refrigerador, retirando todos los tornillos hexagonales y empujando la misma hacia arriba. Haga lo mismo en la puerta derecha y en la tapa intermedia.

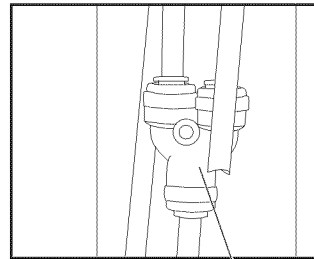


- C** Desconecte los dos conectores eléctricos en la tapa superior. Retire el tornillo de cabeza hexagonal de  $\frac{1}{4}$ " para desconectar el cable a tierra de la bisagra. Retire el tornillo de cabeza hexagonal de  $\frac{1}{4}$ " para retirar el amortiguador de refuerzo de la tubería de agua.

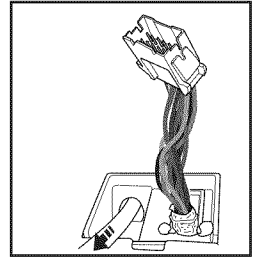


### RETIRE LAS PUERTAS DEL REFRIGERADOR (cont.)

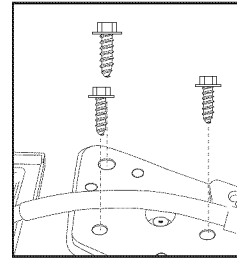
- D** Desconecte la tubería de agua de la parte trasera de la unidad, presionando hacia abajo el collar gris oscuro mientras levanta la tubería de agua. Coloque la línea de agua a través del conducto de la caja desde la parte superior para liberar la línea para el retiro de la puerta. La línea de agua tiene una longitud superior a 4" y es posible que se deba encintar a la Puerta para que esté accesible al reinstalar.



Conexión en Y o Recta



- E** Usando un trinquete/ destornillador de  $\frac{3}{8}$ ", retire los tornillos asegurando la bisagra superior al gabinete, luego levante la bisagra hacia arriba para liberar el perno de la bisagra desde la ubicación en la parte superior de la puerta.



### **PRECAUCIÓN** Riesgo al levantar la puerta.

Si es levantada por una sola persona, podrían ocasionarse lesiones. Solicite ayuda al sostener, mover o levantar las puertas del refrigerador.

**Nota:** Al retirar la puerta, a fin de evitar daños sobre la puerta y la parte electrónica, coloque con cuidado la puerta en una ubicación adecuada.

**Nota:** El perno de la bisagra inferior de la puerta y la bisagra poseen tamaños proporcionales y se los debe hacer coincidir correctamente para que la puerta se cierre sola. Siga las instrucciones detenidamente.

# Instrucciones de Instalación

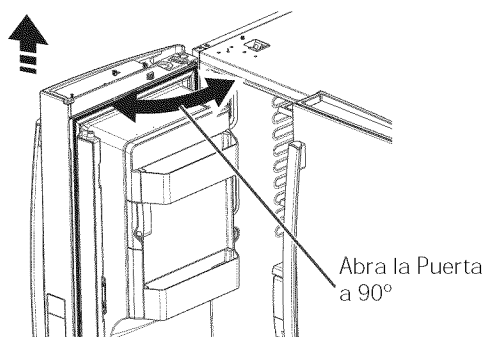
## CÓMO INSTALAR EL REFRIGERADOR (cont.)

### RETIRE LAS PUERTAS DEL REFRIGERADOR (cont.)

Nota: Para una instalación posterior adecuada, siga el siguiente paso de forma cuidadosa.

**F** Las puertas de comidas frescas se deben **RETIRAR e INSTALAR** abiertas a 90° con la caja hacia el frente.

Levante la bisagra central hacia arriba y afuera

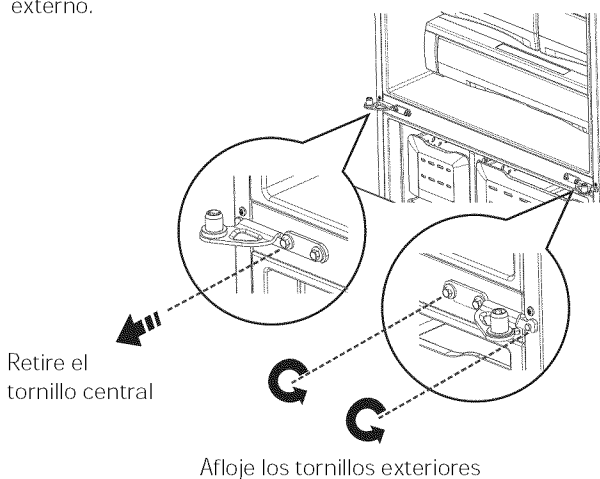


### 4 RETIRE LA PUERTA OPUESTA

Siga el mismo procedimiento en la puerta opuesta. No hay cables ni líneas de agua en el lado opuesto.

### RETIRE LA BISAGRA CENTRAL (si es necesario)

Retire los tornillos de 3/8" asegurando la bisagra central al gabinete. Use un destornillador T20 para retirar el tornillo externo.

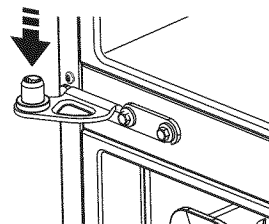


### 5 REINSTALACIÓN DE LAS PUERTAS DEL REFRIGERADOR

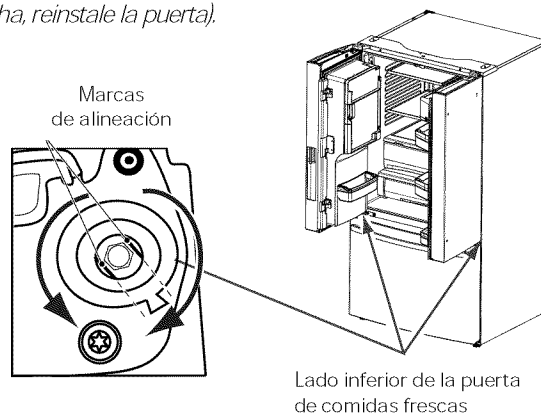
Invierta los pasos 1 a 4 para reinstalar el refrigerador, siga los detalles que figuran a continuación para conocer las alineaciones críticas.

**A** Reinstale la bisagra central primero y ajuste los tornillos con giros de torsión de 65 libras pulgada. Con la puerta del lado izquierdo a más de 90° hacia el frente de la caja, baje la puerta del refrigerador sobre la bisagra central. Asegúrese de que la puerta y la bisagra se alineen correctamente.

### REINSTALACIÓN DE LAS PUERTAS DEL REFRIGERADOR (cont.)



**B** Gire las puertas hasta cerrarlas y asegúrese de que la posición de sellado del centro móvil de la puerta se alinee con el cerradero. Si la puerta no se cierra sola luego de la reinstalación, retire la puerta, dé vuelta la misma, controle la marca y la flecha de alineación; (hay una marca de alineación en el mecanismo de cierre de la puerta. Corresponde a una marca de alineación en la tapa del extremo inferior. Gire el mecanismo de cierre de la puerta para alinear la marca y la flecha, reinstale la puerta).



Si la puerta no puede ser instalada a 90°, siga estos próximos pasos.

1. Instale la puerta a 180° del frente de la caja.
2. Si el espacio o el modelo limitan la apertura de la puerta a menos de 180°, entonces:
  - a) Retire la puerta, y con cuidado dé vuelta la misma.
  - b) Controle la alineación del hueco del mecanismo de cierre de la puerta en la parte trasera de la misma. Las partes planas del hueco deberían corresponder con la lengüeta de alineación en el anillo plástico o con la marca en la tapa del extremo inferior.
  - c) Si el hueco no está alineado con la lengüeta/ marca, usando una llave Allen de 5/32", rote el hueco del mecanismo de cierre de la puerta en contra de las agujas del reloj para la puerta derecha y a favor de las agujas del reloj para la puerta izquierda. Luego alinee la parte plana con la lengüeta/ marca.
  - d) Instale la puerta a 90°.

**De forma segura encinte el cierre de la puerta con cinta de mascarar o pida a otra persona que sostenga la puerta. Reinstale la bisagra superior y ajuste los tornillos con giros de torsión de 65 libras pulgada.**

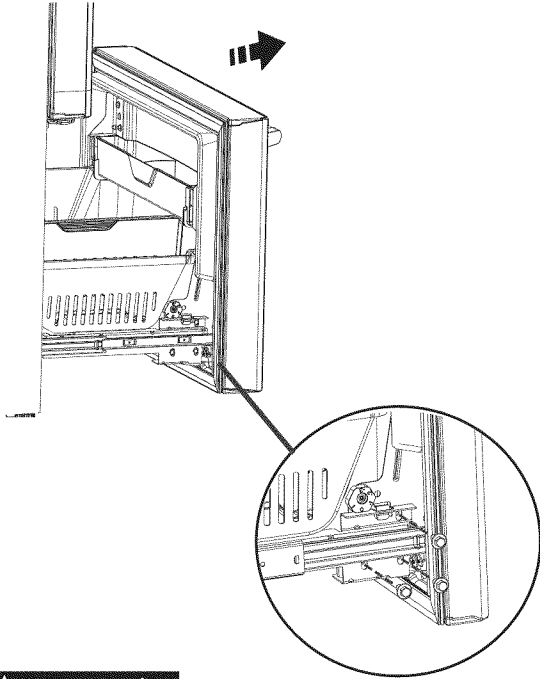
- C** Asegúrese de reinstalar el cable a tierra y el amortiguador de refuerzo a la bisagra superior.
- D** Vuelva a instalar la tapa de la bisagra. **Nota:** Asegúrese de que los cables no sufran cortes ni queden debajo de tornillos antes de ajustar estos últimos.

# Instrucciones de Instalación

## CÓMO INSTALAR EL REFRIGERADOR (cont.)

### 6 RETIRE LA PUERTA DEL FREEZER

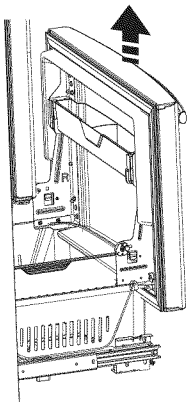
- A Abra la puerta del freezer hasta su extensión completa.
- B Retire los 3 tornillos adheridos, ubicados en la parte inferior a cada lado de la puerta del freezer usando un destornillador con cabeza hueca hexagonal de 3/8".



#### **PRECAUCIÓN** Riesgo al levantar la puerta

La puerta del freezer es pesada. Use ambas manos para asegurar la puerta antes de levantar la misma.

- C Levante la puerta del freezer para desconectarla del mecanismo de deslizamiento.

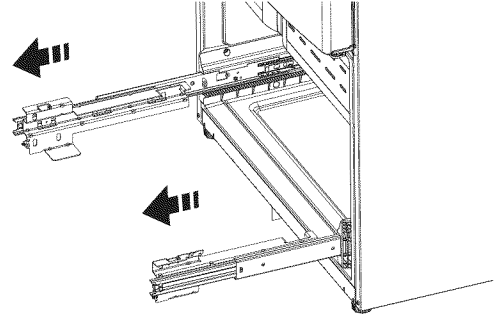


La puerta puede descansar de forma segura en la parte inferior. No apoye la puerta sobre ninguna otra superficie a fin de evitar rayones.

Haga retroceder el mecanismo de deslizamiento completamente hasta que se repliegue.

### 7 REEMPLAZO DE LA PUERTA DEL FREEZER

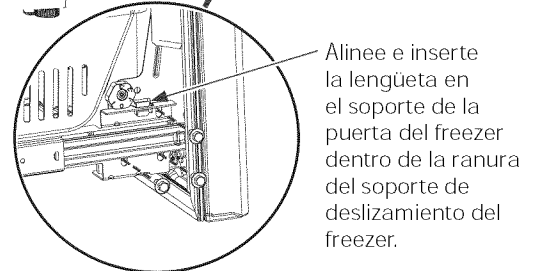
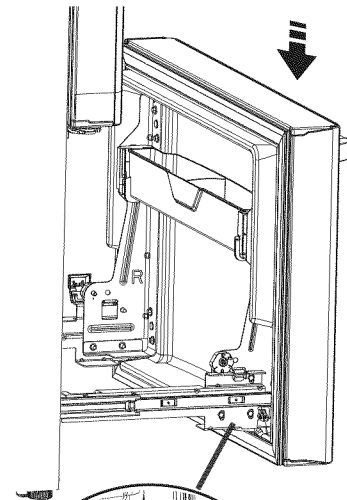
- A Empuje el Mecanismo de deslizamiento hasta su extensión completa usando ambas manos de forma simultánea.
- B Retire la canasta que se apoya sobre los deslizadores.



#### **PRECAUCIÓN** Riesgo al levantar la puerta

La puerta del freezer es pesada. Use ambas manos para asegurar la puerta antes de levantar la misma.

- C La puerta del freezer es pesada. Use ambas manos para asegurar la puerta antes de levantar la misma.



- D Reemplace los tornillos adheridos y ajuste los tornillos con giros de torsión de 65 libras pulgada.
- E Para ajustar los espacios de la puerta del freezer, siga las instrucciones de la página 27.
- F Reemplace la canasta.

# Instrucciones de Instalación

## CÓMO INSTALAR EL REFRIGERADOR (cont.)

### Instrucciones para ajustar los espacios de la puerta del freezer:

¡IMPORTANTE!

Los 6 tornillos de montaje (3 en cada lado) NO son intercambiables con los tornillos de la bisagra central o superior.

Luego de la instalación de la puerta del freezer, controle que los espacios sean uniformes (la parte superior e inferior del lado derecho e izquierdo) con la plantilla provista.

En caso de espacios excesivos siga los siguientes pasos para ajustar la puerta del freezer.

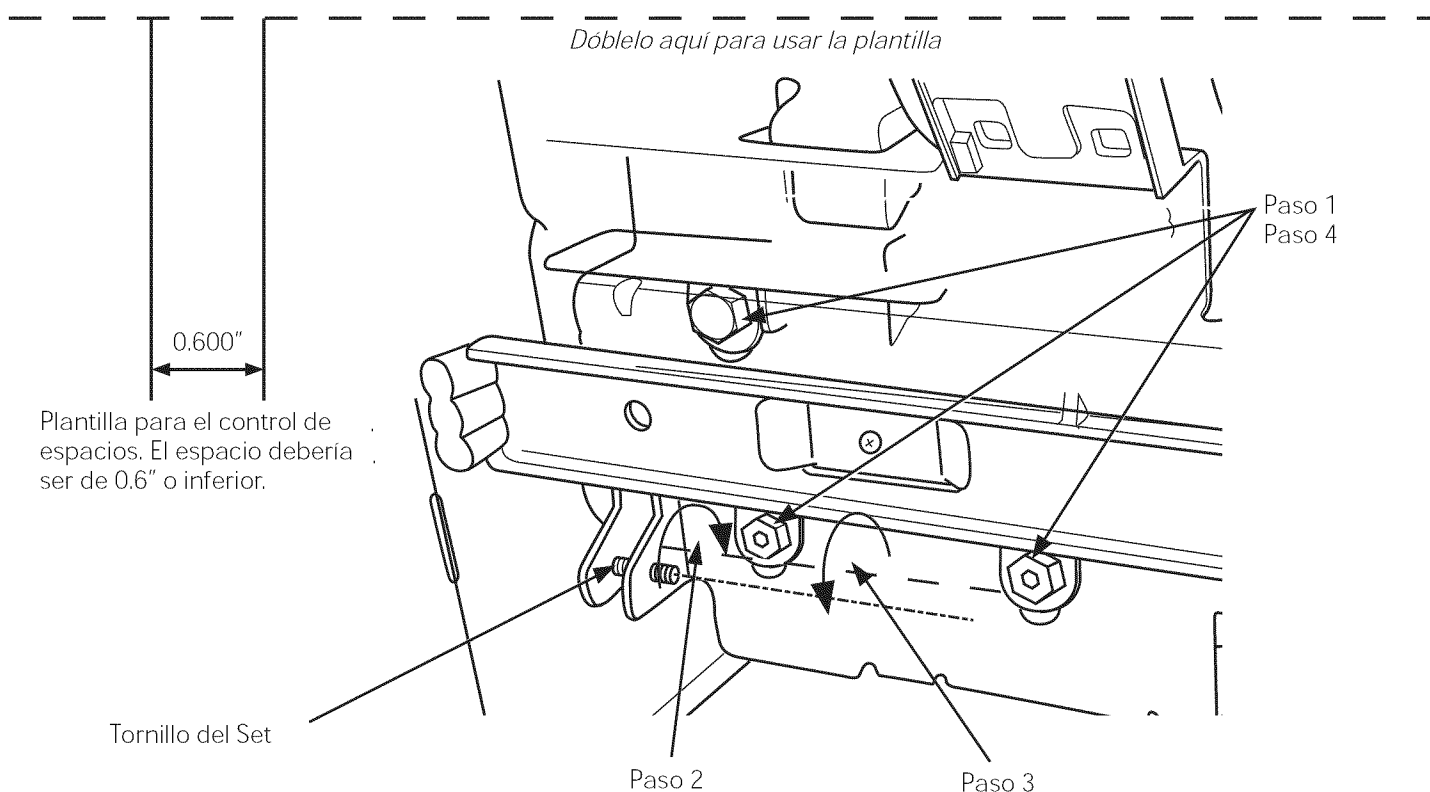
**Paso 1** – Afloje los 3 tornillos a cada lado (derecha e izquierda) de la puerta del freezer.

**Paso 2** – Ajuste el tornillo del set en dirección de las agujas del reloj si el espacio en la parte superior es demasiado grande (vea la plantilla). Gire el tornillo del set usando una llave hexagonal de 3/32" en dirección de las agujas del reloj con una rotación de un cuarto hasta la mitad.

**Paso 3** – Ajuste el tornillo del set en dirección contraria a las agujas del reloj si el espacio en la parte inferior es demasiado grande (vea la plantilla). Gire el tornillo del set usando una llave hexagonal de 3/32" en dirección contraria a las agujas del reloj con una rotación de un cuarto hasta la mitad.

**Paso 4** – Ajuste los 3 tornillos a cada lado (derecha e izquierda).

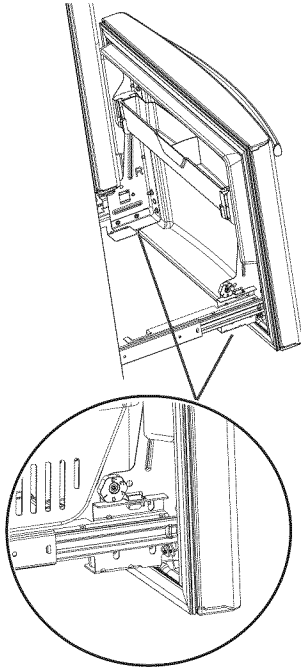
**Paso 5** – Vuelva a controlar los espacios usando la plantilla y repita los pasos 1 a 4 si se requiere y complete con el paso 5.



# Instrucciones de Instalación

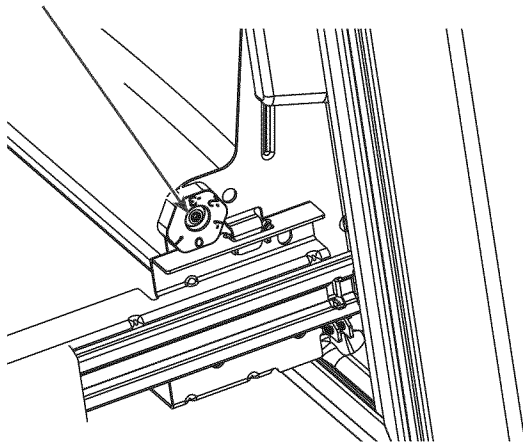
## CÓMO INSTALAR EL REFRIGERADOR (cont.)

### 8 NIVELACIÓN DE LA PUERTA DEL FREEZER



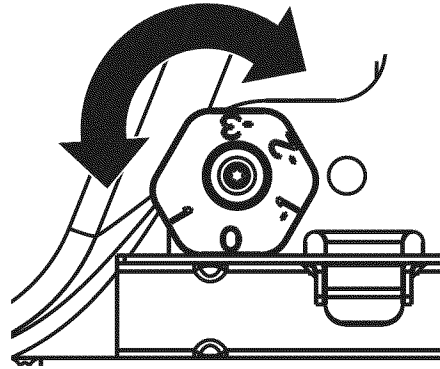
**A** Ubique la leva de ajuste de altura en la puerta del freezer. Lentamente afloje los tres tornillos de ajuste de la puerta a ambos lados usando un destornillador con cabeza hueca hexagonal de 3/8".

**B** Ubique y afloje el tornillo de leva usando un destornillador T-27.



### 9 NIVELACIÓN DE LA PUERTA DEL FREEZER (cont.)

**A** Levante la puerta del lado que requiera ajustes, gire la leva hacia la posición requerida.



- 0 - Initial position
- 1 - Levante de a 0.050"
- 1 - Baje de a 0.050"
- 2 - Baje de a 0.100"
- 3 - Baje de a 0.150"

**B** Luego del ajuste tense los 3 tornillos de ajuste usando hasta 65 libras pulgada.

### 10 RETIRE EL EMBALAJE

A) Retire toda la cinta, gomaespuma y embalajes protectores de los estantes y cajones.

# Instrucciones de Instalación

## SOPORTE DE PISO ANTI-VOLCADURAS

Modelos de PYE, CYE, GYE, PWE, CWE, and ZWE sólo

### ADVERTENCIA



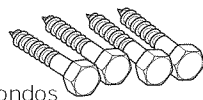
Los modelos con estilo incorporado (modelo PYE, CYE, y PWE) son inestables, especialmente con las puertas abiertas. Estos modelos deben ser asegurados con el soporte anti-volcaduras, a fin de evitar caídas hacia adelante, que podrían resultar en la muerte o lesiones graves. Lea y siga las instrucciones de instalación en su totalidad, a fin de instalar el soporte de piso anti-volcaduras embalado con su refrigerador.

### NOTA:

Si no recibió el soporte anti-volcaduras con su compra, llame al 1.800.626.8774 para recibir uno sin costo. (En Canadá, llame al 1.800.561.3344).

Para acceder a instrucciones sobre el soporte, visite: [www.GEAppliances.com](http://www.GEAppliances.com).

### MATERIALES QUE PUEDE NECESITAR (no incluidos)



Tirafondos  
1/4" (6 mm) x 1-1/2" (38 mm)

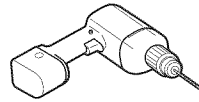


Casquillos de Anclaje  
1/2" (12 mm) Diámetro Exterior

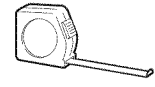
Broca para Taladro Apropriadada para Anclajes

Para Soporte Anti-Volcaduras Montado en Pisos de Concreto Únicamente

### HERRAMIENTAS NECESARIAS



Broca y Taladro Eléctrico o Manual de 1/8" (3 mm)



Cinta métrica



Lápiz

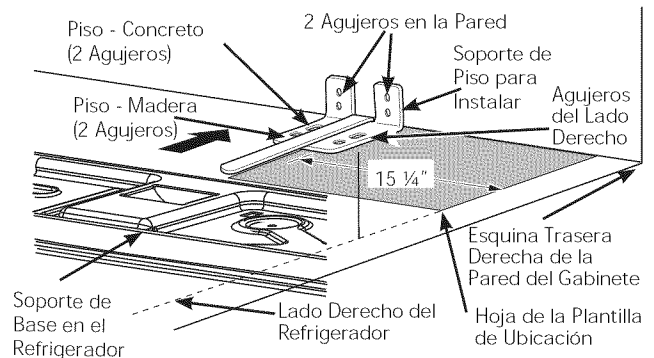


Llave de tuercas de 5/16" (8 mm)

### AT-2 UBICACIÓN DEL SOPORTE DE PISO ANTI-VOLCADURAS

- A** Coloque la plantilla de ubicación del soporte de piso anti-volcaduras (incluido dentro del kit anti-volcaduras) sobre el piso contra la pared trasera, dentro de W, y alineado con la ubicación deseada del lado derecho del refrigerador (vea la Figura 1).

Figura 1 – Visión General de Instalación



- B** Coloque el soporte para piso anti-volcaduras en la plantilla de ubicación con sus agujeros para piso del lado derecho alineado con los agujeros del piso indicados en la hoja de la plantilla, aproximadamente 15 1/4" desde el extremo de la hoja o del lado derecho del refrigerador.

- C** Sostenga en la posición y use el soporte para piso anti-volcaduras como una plantilla para hacer los agujeros, basados en su configuración y tipo de construcción como se muestra en el Paso 3. Marque las ubicaciones de los agujeros con un lápiz, clavo o punzón.

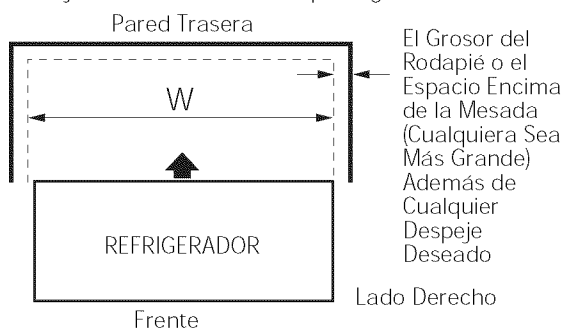
### NOTA:

- Se REQUIERE el uso de por lo menos 2 tornillos para montar el soporte (uno a cada lado del soporte para piso anti-volcaduras). Ambos deben estar en la pared o en el piso. La figura 2 indica todas las configuraciones de montaje aceptables para los tornillos. Identifique los agujeros de los tornillos en el soporte para piso anti-volcaduras para su configuración.

### AT-1 MIDA LA ABERTURA DEL GABINETE DISPONIBLE VS. EL ANCHO DEL REFRIGERADOR

Mida el ancho de la abertura del gabinete donde será ubicado el refrigerador, W.

Asegúrese de contar con espacio por encima de la mesada, grosor en el rodapié y cualquier despeje deseado. El ancho, W, no debería ser inferior a 36". El refrigerador será ubicado aproximadamente en el medio de esta abertura, approximately in the middle of this opening.



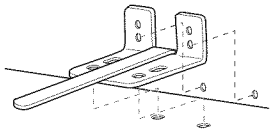
Consulte 239D1142 P001 Pub n° 31-45484-3

# Instrucciones de Instalación

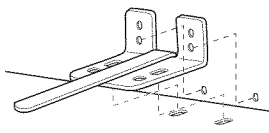
## AT-2 UBICACIÓN DEL SOPORTE DE PISO ANTI-VOLCADURAS (cont.)

Figura 2 – Ubicaciones Aceptables para la Colocación de Tornillos

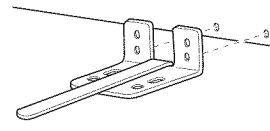
Instalación Recomendada - Madera



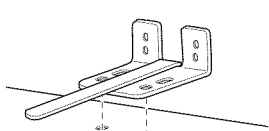
Instalación Recomendada - Concreto



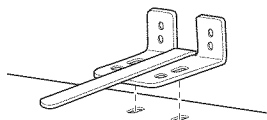
Mínimo Aceptable N° 1 - Pernos de la Placa de Pared



Mínimo Aceptable N° 2 - Piso de Madera



Mínimo Aceptable N° 3 - Piso de Concreto

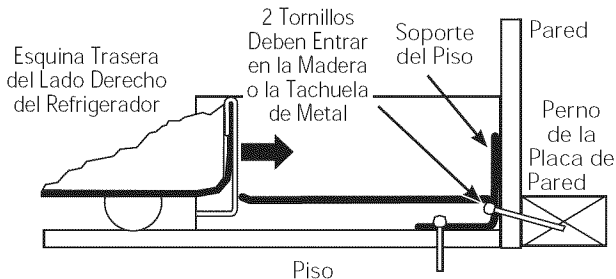


## AT-3 INSTALACIÓN DEL SOPORTE ANTI-VOLCADURAS

### A Construcción del Piso y la Pared de MADERA:

- Realice la cantidad apropiada de agujeros de prueba de 1/8" (3 mm) en el centro de cada agujero de soporte del piso que se usará (se podrá usar un clavo o punzón si no se cuenta con una broca) Y retire la plantilla de ubicación del piso.
- Monte el soporte para piso anti-volcaduras ajustando los 2, o se recomienda 4, tornillos de cabeza hexagonal n° 10-16 de forma ajustada en cada lugar como se ilustra en la Figura 3.

Figura 3 – Ajuste a la Pared y el Piso



### B Construcción del Piso y la Pared de CONCRETO:

- Se requiere el uso de anclajes (no provistos):  
4 tirafondos cada uno de 1/4" (6 mm) x 1-1/2" (38 mm)  
4 sujetadores de manga cada uno de 1/2" (12 mm) de diámetro exterior
- Realice los agujeros usando los tamaños recomendados para los anclajes en el concreto sobre el centro de los agujeros marcados en el Paso 2.
- Instale los sujetadores de mangas en los agujeros perforados. Coloque el soporte de piso anti-volcaduras como se indica en el Paso 2. Retire la plantilla de ubicación desde el piso.
- Instale los tirafondos a través del soporte para piso anti-volcaduras y ajuste los mismos de forma apropiada.

### C Construcción del Piso de MOSAICO y la Pared de MADERA:

- For this special case, locate the 2 wall holes identified in Fig. 1. Drill an angled 1/8" (3 mm) pilot hole (approx. as shown in Fig. 3) in the center of each hole.
- Monte el soporte para piso anti-volcaduras usando la Instalación Mínima Aceptable n° 1, como se ilustra en la Figura 2.

## AT-4 CÓMO POSICIONAR EL REFRIGERADOR PARA ADHERIR LOS SOPORTES DEL PISO ANTI-VOLCADURAS Y DE LA BASE

- A** Antes de empujar el refrigerador hacia la abertura, enchufe el cable de corriente en el receptáculo y conecte el suministro de agua (si está equipado). Controle que no haya pérdidas.
- B** Ubique el lado derecho del refrigerador y mueva el mismo hacia atrás aproximadamente en línea con el lado derecho de la abertura del gabinete, W. Esto debería posicionar el soporte del piso anti-volcaduras, a fin de adherir la base anti-volcaduras con el refrigerador.
- C** De forma suave haga girar el refrigerador nuevamente hacia el gabinete, abriendo el mismo hasta que se detenga completamente. Controle que el frente del refrigerador se alinee con la cara frontal del gabinete. Si no es así, con cuidado mueva el refrigerador hacia adelante y atrás hasta que se produzca la adherencia y observe que el refrigerador esté completamente apoyado sobre la pared trasera.
- D Si Corresponde:** Realice los ajustes de altura de las ruedas traseras (y frontales) para adherir completamente los soportes anti-volcaduras traseros, mientras también alinea el frente del refrigerador con la cara frontal del gabinete.

**NOTA:** Si empuja el refrigerador hacia afuera y lo aleja de la pared por alguna razón, asegúrese de que el soporte para piso anti-volcaduras esté adherido cuando el refrigerador es empujado hacia atrás contra la pared trasera.



# Instrucciones de Instalación

## CÓMO INSTALAR EL REFRIGERADOR (cont.)

### 11 CÓMO CONECTAR EL REFRIGERADOR AL SUMINISTRO DE AGUA DEL HOGAR

Se requiere un suministro de agua fría para el funcionamiento de la máquina de hielo automática. Si no se cuenta con un suministro de agua fría, deberá proveer uno. Consulte la sección sobre Cómo Instalar el Suministro de Agua.

#### NOTAS:

- Antes de realizar la conexión al refrigerador, asegúrese de que el cable de corriente del mismo no se encuentre enchufado al tomacorriente.
- Si su refrigerador no cuenta con un filtro de agua, le recomendamos que instale uno si el suministro de agua posee arena o partículas que podrían atascar la rejilla de la válvula de agua del refrigerador. Instale el mismo en la tubería de agua más cercana al refrigerador. Si usará el Kit de Tuberías para Refrigeradores de GE SmartConnect™, necesitará una tubería adicional (WX08X10002) para realizar la conexión al filtro. No corte la tubería de plástico para instalar el filtro.
- Antes de conectar la tubería de agua al hogar, purgue la cañería del hogar durante por lo menos 2 minutos.

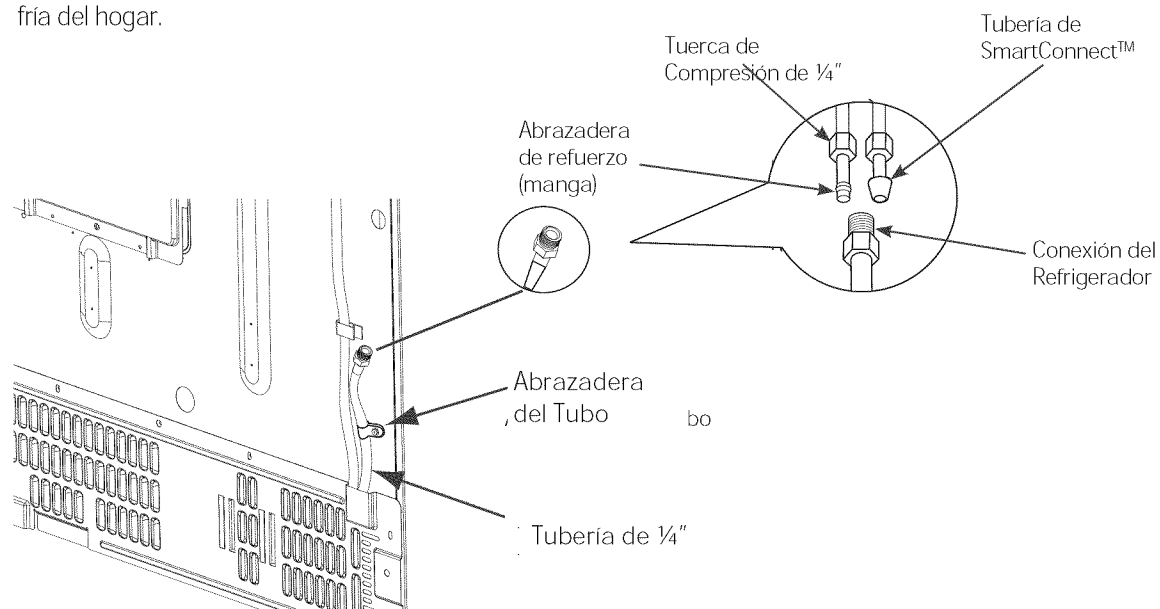
**A** Si usará una tubería de cobre, coloque una tuerca de compresión y una abrazadera de refuerzo (mango) en el extremo de la tubería proveniente del suministro de agua fría del hogar.

**B** Si usará tuberías de GE SmartConnect™, las tuercas ya están ensambladas en la tubería.

Si usará tuberías de cobre, inserte el extremo de la tubería en la conexión del refrigerador, en la parte trasera del refrigerador, lo más lejos posible. Al sostener la tubería, ajuste la unión.

Si usará tuberías de GE SmartConnect™, inserte el extremo moldeado de la tubería en la conexión del refrigerador, en la parte trasera del refrigerador, y ajuste la tuerca de compresión hasta que quede ajustada manualmente. Luego realice un ajuste adicional con un giro de llave. Un ajuste excesivo podrá ocasionar pérdidas.

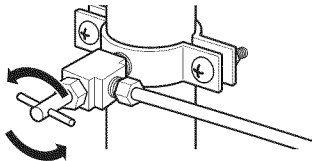
**C** Ajuste la tubería en la abrazadera provista para sostener la misma en la posición correcta. Será necesario que abra la abrazadera haciendo palanca.



# Instrucciones de Instalación

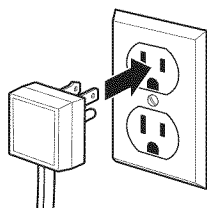
## CÓMO INSTALAR EL REFRIGERADOR (cont.)

### 12 ABRA EL SUMINISTRO DE AGUA



Abra el suministro de agua usando la válvula de cierre (suministro de agua hogareño) y controle que no haya pérdidas.

### 13 ENCHUFE EN EL REFRIGERADOR



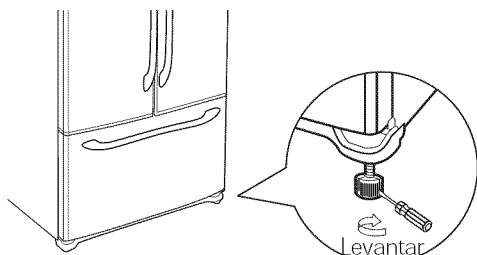
Consulte la información de conexión a tierra adjunta con el cable de corriente.

### 14 NIVELACIÓN DEL REFRIGERADOR

Las patas niveladoras poseen 2 propósitos:

- 1) Las patas niveladoras se ajustan de modo que el refrigerador quede posicionado de manera firme en el piso y no se tambalee.
- 2) Las patas niveladoras sirven como freno estabilizador para sostener el refrigerador de forma segura en su posición durante el funcionamiento y la limpieza. Las patas niveladoras también evitan la caída del refrigerador.

- A** Gire las patas niveladoras en dirección de las agujas del reloj para levantar el refrigerador, en contra de las agujas del reloj para bajarlo.

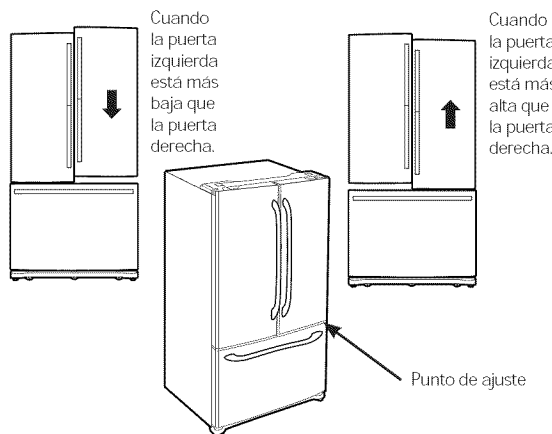


Destornillador con cabeza aplanada

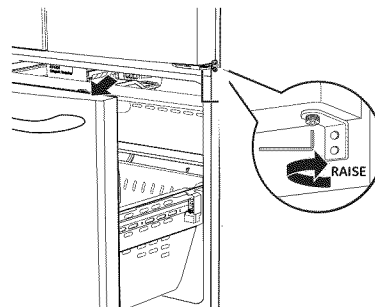
**AVISO:** A fin de evitar posibles daños sobre la propiedad, las patas niveladoras deberán estar tocando el piso de manera firme.

### 15 NIVELACIÓN DE LAS PATAS DEL REFRIGERADOR

Recuerde que es necesario que el refrigerador esté nivelado para que las puertas estén perfectamente apoyadas. Si necesita ayuda, revise la sección previa sobre nivelación del refrigerador.



- A** Si abre la puerta del freezer, podrá ver la bisagra central.
- B** Inserte una llave Allen de ¼" en el hueco de la bisagra central.
- C** Ajuste la altura girando en dirección a favor o en contra de las agujas del reloj. Al girar en contra de las agujas del reloj, la puerta se moverá.

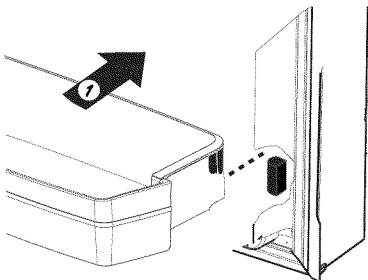
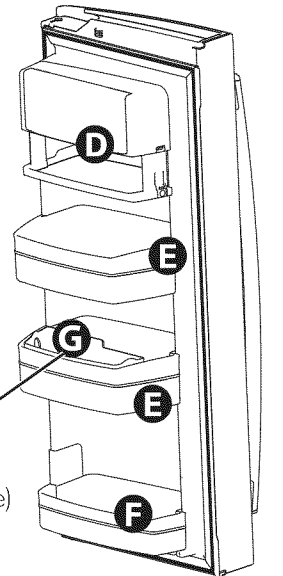
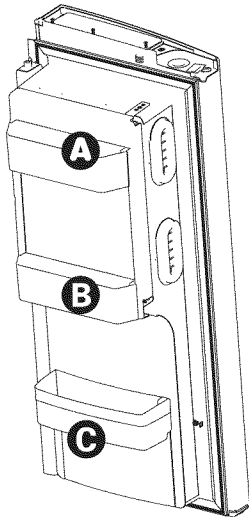
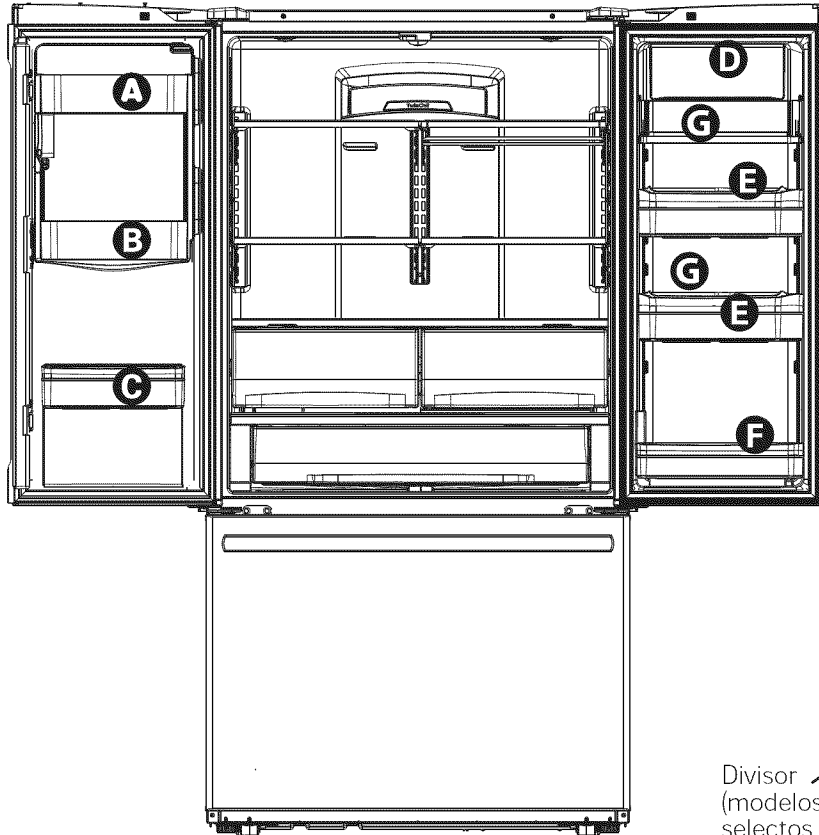
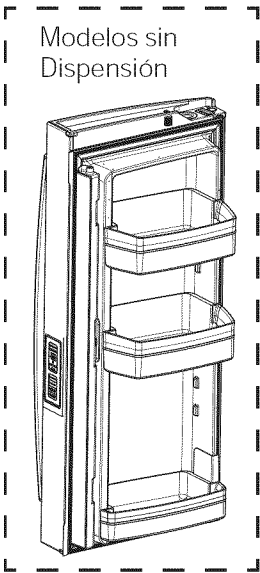


# Instrucciones de Instalación

## CÓMO INSTALAR EL REFRIGERADOR (cont.)

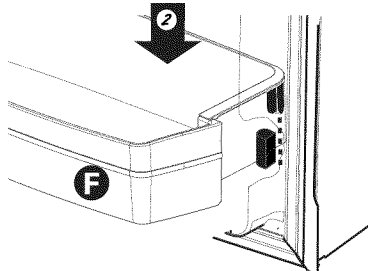
Modelos sin  
Dispensión

Instrucciones de Ensamble del Refrigerador, ensamble sugerido.



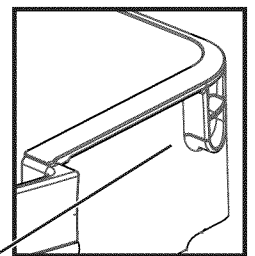
### Coloque los recipientes en las puertas:

**1** Enlace su recipiente con la letra mostrada. Posicione los ganchos del recipiente sobre el ubicador del recipiente y empuje hacia adelante hasta que se inserte completamente.

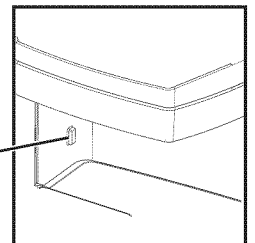


**2** Empuje el recipiente hacia abajo hasta que se bloquee en su posición.

Parte trasera del gancho del recipiente a cada lado



Ubicador del recipiente a cada lado



# Instrucciones de Instalación

## CÓMO INSTALAR LA TUBERÍA DE AGUA

### ANTES DE COMENZAR

Los kits de suministro de agua de cobre recomendados son WX8X2, WX8X3 o WX8X4, dependiendo de la cantidad de tubería necesaria. Las tuberías de suministro de agua de plástico aprobadas son las Tuberías para Refrigerador de GE SmartConnect™ (WX08X10006, WX08X10015 y WX08X10025).

Al conectar su refrigerador a un Sistema de Agua por Ósmosis Inversa de GE, la única instalación aprobada es con el Kit GE RV. Con otros sistemas de agua por ósmosis inversa, siga las recomendaciones del fabricante.

Si el suministro de agua al refrigerador es de un Sistema de Filtración de Agua por Ósmosis Inversa (RO) Y el refrigerador también cuenta con un filtro de agua, use el tapón del bypass del filtro del refrigerador. Cómo usar el tapón del bypass del filtro del Refrigerador. El uso del cartucho de filtración de agua del refrigerador junto con un filtro de agua RO podrá producir cubos de hielo huecos.

Esta instalación de la tubería de agua no posee garantía del fabricante del refrigerador o de la máquina de hacer hielo. Siga estas instrucciones con cuidado, a fin de minimizar el riesgo de daños caros sobre el agua.

Los golpes de ariete (agua que golpea las tuberías) en la plomería del hogar pueden ocasionar daños sobre las piezas del refrigerador y generar pérdidas de agua o inundación. Llame a un plomero calificado para corregir los golpes de ariete antes de instalar la tubería de suministro de agua al refrigerador.

A fin de evitar quemaduras y daños sobre los productos, no adhiera la tubería de agua a la tubería de agua caliente.

**Para los Modelos PFE27 y PYE23K:** Si el refrigerador es utilizando antes de haber realizado la conexión del agua a la máquina de hacer hielo, mantenga presionados los botones CRUSHED (Picado) y CUBED (Cubos) al mismo tiempo durante 3 segundos para desconectar la máquina de hacer hielo.

Cuando el refrigerador haya sido desconectado del suministro de agua, mantenga presionados los botones CRUSHED (Picado) y CUBED (Cubos) al mismo tiempo durante tres segundos para volver a conectar la máquina de hacer hielo.

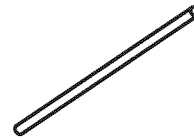
**Para los Modelos sin LCD:** Si el refrigerador es utilizando antes de haber realizado la conexión del agua a la máquina de hacer hielo, presione y libere el botón ICE MAKER (Máquina de Hacer Hielo) en el panel de control para desconectar la máquina de hacer hielo. Cuando el refrigerador haya sido conectado al suministro de agua, presione y libere el botón ICE MAKER (Máquina de Hacer Hielo) en el panel de control para volver a conectar la máquina de hacer hielo.

**Para los Modelos PFE29 y PYE23P:** Si el refrigerador es utilizado antes de haber realizado la conexión de agua a la máquina de hacer hielo, consulte ICE MAKER (Máquina de Hacer Hielo) en el menú SETTINGS (Configuraciones) de la sección LCD Operations (Funciones del LCD) y siga los comandos en pantalla para apagar la máquina de hacer hielo. No instale la tubería de la máquina de hacer hielo en áreas donde las temperaturas lleguen a estar bajo cero.

Al usar un dispositivo eléctrico (tal como un taladro eléctrico) durante la instalación, asegúrese de que el dispositivo cuente con doble aislación o que esté conectado a tierra de modo que se eviten riesgos de descargas eléctricas, o que sea cargados a través del uso de una batería.

Todas las instalaciones de deben realizar de acuerdo con los requisitos indicados en el código local de plomería.

### LO QUE NECESITARÁ



- Kit de Tubería para Refrigerador de Cobre o GE SmartConnect™ de ¼" de diámetro externo para conectar el refrigerador al suministro de agua. Si usará cobre, asegúrese de que ambos extremos de la tubería hayan sido cortados de forma recta.

A fin de determinar cuánta tubería es necesaria: mida la distancia desde la válvula de agua en la parte trasera del refrigerador hasta la tubería del suministro de agua. Asegúrese de que haya suficiente tubería adicional para permitir que el refrigerador pueda ser retirado de la pared luego de la instalación.

Los Kits de Tuberías para Refrigerador de GE SmartConnect™ están disponibles en las siguientes longitudes:

- 8' (2.4 m) – WX08X10006
- 15' (4.6 m) – WX08X10015
- 25' (7.6 m) – WX08X10025

# Instrucciones de Instalación

## CÓMO INSTALAR LA TUBERÍA DE AGUA (Cont.)

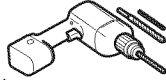
### LO QUE NECESITARÁ (CONT.)

**NOTA:** La única tubería plástica aprobada es aquella provista con los Kits de Tuberías para Refrigerador de GE SmartConnect™. No use ningún otro suministro de agua plástico, ya que el suministro se encuentra bajo presión en todo momento. Ciertos tipos de plásticos podrán sufrir fisuras o roturas con el paso del tiempo y ocasionar problemas con el agua en su hogar.

- Un kit de suministro de agua de GE (el cual contiene tubería, válvula de cierre y uniones que figuran en la lista siguiente) está disponible por un costo adicional a través de su vendedor minorista o de Parts and Accessories (Piezas y Accesorios), 800.626.2002 (En Canadá 1.800.661.1616).

- Un suministro de agua fría. La presión del agua deberá estar entre 20 y 120 p.s.i. (barra 1.4-8.1).

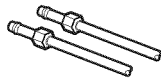
- Taladro eléctrico.



- 1/2" o llave ajustable.

- Destornillador de punta plana o Phillips.

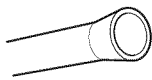
- 2 abrazaderas de compresión (mangas) y dos tuercas de compresión de 1/4" de diámetro externo – para conectar la tubería de cobre a la válvula de cierre y a la válvula de agua del refrigerador.



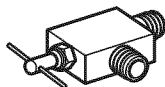
O

- Si usará un kit de Tuberías para Refrigerador de GE SmartConnect™, las uniones necesarias están preensambladas a la tubería.

- Si su tubería de agua de cobre existente posee una unión con avellanado en su extremo, necesitará un adaptador (disponible en las tiendas de suministros) para conectar la tubería de agua al refrigerador O puede cortar la unión con avellanado con un cortador de tubo y luego usar una unión de compresión. No corte los extremos con forma de la tubería para refrigerador de GE SmartConnect™.



- Cierre la válvula para conectar a la tubería de agua fría. La válvula de cierre debería tener una entrada de agua con un diámetro interior mínimo de 5/32" en el punto de conexión a la TUBERÍA DE AGUA FRÍA. Las válvulas de cierre tipo montura están incluidas en muchos kits de suministro de agua. Antes de su adquisición, asegúrese de que la válvula tipo montura cumpla con los códigos de plomería locales.



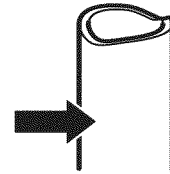
Instale la válvula de cierre en la tubería de agua potable de uso frecuente más cercana.

### 1 CIERRE EL SUMINISTRO DE AGUA PRINCIPAL

Encienda la canilla más cercana que sea lo suficientemente larga para despejar la tubería de agua.

### 2 ELIJA LA UBICACIÓN DE LA VÁLVULA

Elija una ubicación para la válvula que sea de fácil acceso. Es mejor conectar la misma en el lateral de una tubería de agua vertical. Cuando sea necesario conectarla en una tubería de agua horizontal, realice la conexión a la parte superior o lateral, en vez de la parte inferior, a fin de evitar el drenaje de cualquier sedimento de la tubería de agua.

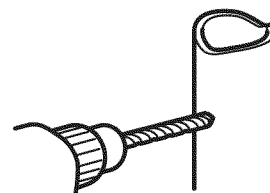


### 3 TALADRE EL AGUJERO DE LA VÁLVULA

Taladre un agujero de 1/4" en la tubería de agua (incluso si usará una válvula auto-perforante), usando una punta afilada. Elimine cualquier zumbido que resulte de haber taladrado el agujero en la tubería.

Tenga cuidado de no permitir que el agua se drene en el taladro.

Si no se taladra un agujero de 1/4" se podrá ver reducida la producción de hielo o los cubos de hielo podrán ser más pequeños.

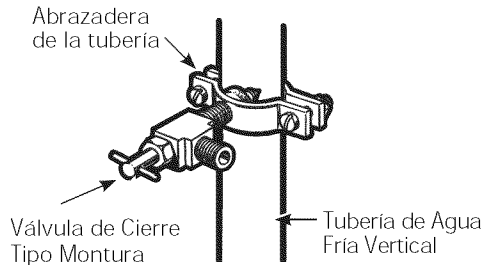


# Instrucciones de Instalación

## CÓMO INSTALAR LA TUBERÍA DE AGUA (Cont.)

### 4 AJUSTE LA VÁLVULA DE CIERRE

Ajuste la válvula de cierre de la tubería de agua fría con la abrazadera de la tubería.

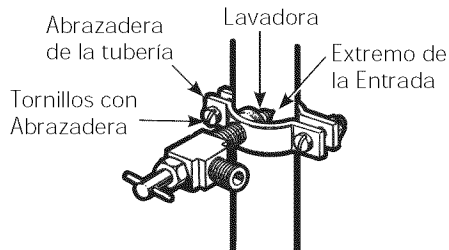


**NOTA:** Se deberá cumplir con los Códigos de Plomería del Commonwealth de Massachusetts 248CMR. Las válvulas tipo montura son ilegales y su uso está prohibido en Massachusetts. Consulte a un plomero matriculado.

### 5 AJUSTE LA ABRAZADERA DE LA TUBERÍA

Ajuste los tornillos de la abrazadera hasta que la arandela de sellado comience a hincharse.

**NOTA:** No ajuste en exceso o se podrá romper la tubería.



### 6 ENRUTE LA TUBERÍA

Enrute la tubería entre la entrada de agua fría y el refrigerador.

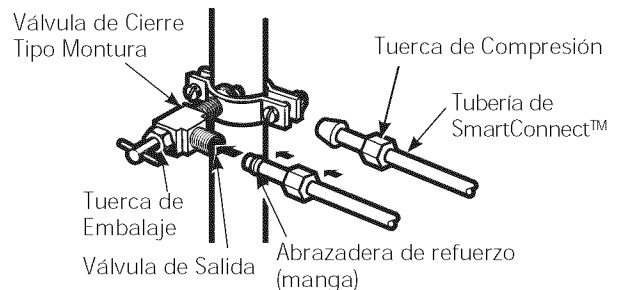
Enrute la tubería a través de un agujero perforado en la pared o el piso (detrás del refrigerador o del gabinete con base adyacente) tan cerca a la pared como sea posible.

### 7 CONECTE LA TUBERÍA A LA VÁLVULA

Coloque la tuerca de compresión y la abrazadera de refuerzo (manga) para colocar la tubería de cobre en el extremo de la tubería y conecte la misma a la válvula de cierre.

Asegúrese de que la tubería esté completamente insertada en la válvula. Ajuste la tuerca de compresión de forma segura.

Para usar una tubería de plástico del kit de Tuberías para Refrigerador GE SmartConnect™, inserte el extremo moldeado de la tubería en la válvula de cierre y ajuste la tuerca de compresión hasta que quede ajustada manualmente, y luego dé un giro de ajuste adicional con una llave. Un ajuste excesivo podrá ocasionar pérdidas.

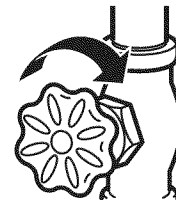


**NOTA:** Se deberá cumplir con los Códigos de Plomería del Commonwealth de Massachusetts 248CMR. Las válvulas tipo montura son ilegales y su uso está prohibido en Massachusetts. Consulte a un plomero matriculado.

### 8 DESPEJE LA TUBERÍA

Abra el suministro de agua principal y despeje la tubería hasta que el agua esté limpia.

Cierre el agua usando la válvula de agua luego de haber dejado correr aproximadamente un galón (1 litro), o 2 minutos, de agua a través de la tubería.



Para completar la instalación del refrigerador, vuelva al Paso 11 en Cómo Instalar el Refrigerador.



El sonido de los refrigeradores nuevos es diferente al de aquellos más antiguos.  
Los refrigeradores modernos cuentan con más funciones y utilizan una tecnología más nueva.

**¿Escuchas lo que yo escucho? Estas condiciones son normales.**

**HUMMM...  
WHOOSH...**

- Es posible que el nuevo compresor de alta efectividad funcione más rápido y por más tiempo que aquel de su refrigerador antiguo, y es posible que escuche un zumbido o sonido de pulsación en un tono alto mientras está funcionando.
- Es posible que escuche gorgoteos al cerrar la puerta. Esto se debe al equilibrio de la presión dentro del refrigerador.
- Luego de dispensar hielo, un motor cerrará el vertedor de hielo para evitar que entre aire caliente en el cubo de hielo, manteniendo el hielo en una temperatura de congelamiento.

El zumbido del motor al cerrar el cubo de hielo es normal, poco después de dispensar hielo.



- Es posible que escuche los ventiladores girar en altas velocidades. Esto sucede cuando el refrigerador se enchufa por primera vez, cuando las puertas se abren con frecuencia o cuando una gran cantidad de comida es agregada a los compartimientos del refrigerador o del freezer. Los ventiladores están ayudando a mantener las temperaturas correctas.
- Los ventiladores cambian de velocidad a fin de proveer un enfriamiento óptimo y ahorros de energía.

## SONIDOS DE CLIC, ESTALLIDOS ROTURAS y CHASQUIDOS

- Es posible que escuche sonidos de roturas o estallidos cuando se enchufe el refrigerador por primera vez. Esto sucede mientras el refrigerador se enfría hasta la temperatura correcta.
- La expansión y contracción de las bobinas de enfriamiento durante y después de la descongelación pueden producir sonidos de roturas o estallidos.
- En los modelos con máquina de hacer hielo, luego de un ciclo de producción de hielo, es posible que escuche los cubos de hielo caer al recipiente del hielo.
- En los modelos con dispensador, cuando se dispense el agua es posible que escuche el movimiento de las tuberías de agua al iniciar el proceso y luego de que el botón del dispensador sea liberado.

## SONIDOS DEL AGUA



- Es posible que el flujo de refrigerante a través de las bobinas de enfriamiento produzca un gorgoteo similar a agua hirviendo.
- – El agua que cae sobre el calentador de descongelamiento puede producir un chisporroteo, estallido o zumbido durante el ciclo de descongelamiento.
- Es posible que se escuche un sonido de goteo durante el ciclo de descongelación, a medida que el hielo se derrite desde el evaporador y fluye hasta la olla de drenaje.
- Cerrar la puerta podrá provocar un sonido de burbujeo debido a la igualación de la presión.

## COMIENZO DEL ENFRIAMIENTO

Es posible que pasen hasta 24 horas para que las temperaturas del refrigerador y del freezer iguallen la pantalla. Durante dicho tiempo, se deberían minimizar las aperturas de las puertas del refrigerador y del freezer.

### CONSEJOS

- El freezer se enfría primero.
- El compartimiento del refrigerador se enfría en último lugar; es posible que alcance el nivel de frío luego de varias horas después que el freezer.
- Apagar la máquina de hacer hielo permite que tanto la comida fresca como la comida del freezer se enfrien con mayor rapidez.

## Antes de Solicitar el Servicio Técnico...



Consejos para la Solución de Problemas

¡Ahorre tiempo y dinero! Primero revise los cuadros que aparecen en las siguientes páginas y es posible que no necesite solicitar reparaciones.

| Problema   | Causas Posibles  | Qué Hacer  |
|--|--|--|
| Se indicó que el filtro de agua se instaló de forma incorrecta o hay una pérdida presente en la pantalla de LCD. | El filtro de agua se instaló al revés o tiene una pérdida.   | Controle que no haya pérdidas. Si no hay pérdidas presentes, retire el filtro/ tapón del bypass, gire 180° y reinstale.  |
| La luz indicadora del filtro permanece encendida luego de reemplazar el filtro                                   | El indicador del filtro de agua debe ser reiniciado  | <b>Modelos sin LCD:</b><br>-Mantenga presionado el botón de reinicio.<br><b>Modelos con LCD:</b><br>-En la pantalla de LCD seleccione SETTINGS (Configuraciones), y luego WATER FILTER (Filtro de Agua). Seleccione RESET (Reiniciar). |
| La luz del indicador del filtro de agua no está iluminada  | Esto es normal. Este indicador se encenderá para indicarle que es necesario reemplazar el filtro de forma rápida.    | Para más información, consulte <i>Acerca del Filtro de Agua</i> .  |
| La manija está floja/ la manija tiene un espacio de separación.  | Es necesario ajustar la manija   | Para acceder a instrucciones detalladas, consulte las secciones <i>Cómo Ajustar la Manija de Comidas Frescas</i> y <i>Cómo Ajustar la Manija del Freezer</i> .   |
| Pitido del refrigerador  | Se trata de la alarma de la puerta   | Apague o desactive la misma con la puerta cerrada. Si la puerta está abierta y la alarma está sonando, sólo podrá detener la alarma.   |
| No enfría  | Consulte <i>Acerca de los Controles</i> .  | Consulte <i>Acerca de los Controles</i>  |
| El agua tiene mal gusto/ olor*   | El dispensador de agua no fue usado durante un tiempo prolongado   | Dispense agua hasta que toda el agua en el sistema sea repuesta.   |
| El agua en el vaso está caliente*  | Es normal cuando el refrigerador es usado por primera vez luego de su instalación                                    | Espere 24 horas hasta que el refrigerador se enfrie completamente.   |
|  | El dispensador de agua no fue usado durante un tiempo prolongado   | Dispense agua hasta que toda el agua en el sistema sea repuesta.   |
|  | El sistema de agua fue drenado   | Espere varias horas hasta que el suministro repuesto se haya enfriado.   |
| El dispensador de agua no funciona*  | El suministro de agua está apagado o no está conectado   | Consulte <i>Cómo Instalar el Suministro de Agua</i> .  |
|  | El filtro de agua está atascado o el enchufe del filtro/ bypass no fue instalado                                     | Reemplace el cartucho del filtro o retire el filtro e instale el tapón del bypass.   |
|  | Es posible que haya aire atrapado en el sistema de agua  | Presione el brazo dispensador durante por lo menos 5 minutos.  |
|  | El agua en la reserva está congelada debido a que los controles están configurados en una temperatura demasiado fría | Configure el control del refrigerador en una configuración más caliente y espere 24 horas. Si el agua no es dispensada luego de 24 horas, comuníquese al servicio técnico.   |
| Chorrea agua del dispensador*  | El cartucho del filtro fue instalado en forma reciente   | Deje correr agua del dispensador durante 5 minutos (aproximadamente 2 galones).  |

\*Modelos Selectos Únicamente





## Consejos para la Solución de Problemas (cont.)

| Problema  | Causas Posibles  | Qué hacer   |
|---|--|---|
| No hay producción de agua ni de cubos de hielo*                       | La línea de suministro o la válvula de cierre están atascadas  | Llame a un plomero  |
|   | El filtro de agua está atascado  | Reemplace el cartucho del filtro o retire el filtro e instale el tapón del bypass.                                      |
|   | El cartucho del filtro no está instalado de forma apropiada  | Retire y vuelva a instalar el cartucho del filtro, asegurándose de que se puede bloquear correctamente en su lugar.     |
|   | La máquina de hacer hielo está apagada   | Controle que la máquina de hacer hielo esté encendida. Consulte <i>Acerca de la Máquina de Hacer Hielo Automática</i> . |
| Gotea agua desde el dispensador*                                      | Puede haber aire presente en el sistema de entrada de agua, haciendo que gotee agua luego de ser dispensada                      | Dispense agua durante por lo menos 5 minutos para eliminar el aire del sistema  |
| Fotos no encontradas*   | Las fotos no se encuentran en el directorio de origen del USB  | Asegúrese de que las fotos estén en el directorio de origen en su USB   |
|   | Las fotos no están en formato JPEG   | Las fotos deberán estar en formato JPEG   |
|   | Uso de la cámara/ PC con un cable USB  | Se deberá usar un dispositivo USB   |
| <b>AUTO FILL (LLENADO AUTOMÁTICO) bajo llenado/ sin llenado*</b>      | No todos los envases funcionan con <b>AUTO FILL (Llenado Automático)</b>   | Intente con un envase diferente   |
|   | <ul style="list-style-type: none"> <li>• Envase no encontrado</li> <li>• Envase inestable</li> <li>• Envase inestable</li> </ul> | Consulte la pág. 11   |
| <b>AUTO FILL (Llenado Automático) se desborda*</b>                    | No todos los envases funcionan con <b>AUTO FILL (Llenado Automático)</b>   | Intente con un envase diferente   |
| <b>PRECISE FILL (Llenado Preciso) no llena el recipiente*</b>         | Es normal, <b>PRECISE FILL (Llenado Preciso)</b> requiere el uso de una paleta dispensadora                                      | Para una cantidad específica de agua, seleccione <b>PRECISE FILL (Llenado Preciso)</b> para dispensar agua              |
| Enfriamiento del freezer, la comida fresca no se enfría               | Es normal, cuando el refrigerador se enchufa por primera vez o luego de un corte de energía prolongado                           | Espere 24 horas para que la temperatura en ambos compartimiento alcance las temperaturas seleccionadas.                 |
| El dispensador de hielo se abre luego de cerrar el cajón del freezer* | Normal   | La puerta del dispensador de agua se podrá abrir luego de cerrar la puerta del freezer para permitir el acceso          |

# SERVICIO

Antes de solicitar el servicio técnico, revise los consejos para la solución de problemas de forma detallada en el Manual del Propietario. En caso de ser necesario, se podrá programar el servicio técnico visitándonos a través de Internet en [GEAppliances.com](http://GEAppliances.com) o llamando al 800.ge.CARES 800.432.2737.

## Verdad o Mito

| Verdad o Mito?   | Respuesta | Explicación  |
|--|-----------|--|
| El filtro de agua del refrigerador podrá requerir un reemplazo, incluso aunque el indicador del filtro no se haya vuelto rojo o que se lea "Filtro Vencido". | VERDADERO | The water filter indicator will indicate the need to replace the water filter every six months or 170 gallons of water dispensed (select models only). La calidad del agua varía de una ciudad a otra; si el flujo del agua del dispensador disminuye, o la producción de hielo decrece, el filtro de agua debería ser reemplazado, incluso aunque el indicador del filtro no indique la necesidad del reemplazo.  |
| La máquina de hacer hielo automática de mi refrigerador produce hielo cuando el refrigerador se encuentra enchufado a un receptáculo de corriente.           | MITO      | El refrigerador debe ser conectado al agua, y la máquina de hacer hielo debe ser encendida. Asegúrese de que la máquina de hacer hielo esté encendida, sólo después de que la cañería de agua esté conectada y que el agua esté abierta. La máquina de hacer hielo puede ser encendida/ apagada desde los controles y asegurar que la misma está encendida, como se indica en el panel de control del refrigerador. Consulte <i>Acerca de la Máquina de Hacer Hielo Automática</i> . |
| Luego de que el refrigerador haya sido enchufado y conectado al agua, tendré inmediatamente agua fría disponible desde el dispensador de agua.               | MITO      | El tanque del dispensador de agua ubicado dentro del refrigerador guarda agua para dispensar. El agua del tanque necesita 24 horas para enfriarse luego de la instalación. Las altas condiciones de uso no permitirán que haya tiempo para que el agua se enfríe.  |
| Luego de dispensar agua, es normal que caigan unas pocas gotas de agua. .  | VERDADERO | Es posible que caigan unas pocas gotas de agua del dispensador, luego de que la paleta del mismo se haya liberado. A fin de minimizar los goteos, retire el vidrio lentamente del dispensador.   |
| Nunca veré escarcha dentro del compartimiento del freezer.   | MITO      | La escarcha dentro del freezer típicamente indica que la puerta no está correctamente sellada, o se dejó abierta. Si se encuentra escarcha, despeje la misma utilizando una espátula de plástico y una toalla, luego asegúrese de que no haya paquetes ni envases de comida que impidan que la puerta del freezer se cierre. Controle el panel de control del refrigerador para asegurar que la alarma de la puerta esté activada.   |
| Cuando se instala el refrigerador, o luego de reemplazar el filtro de agua, debo dispensar agua por cinco minutos.   | VERDADERO | Un refrigerador o filtro de agua instalado en forma reciente contiene aire en las cañerías de agua. Presione la paleta del dispensador y dispense agua durante por lo menos 5 minutos para eliminar el aire de la cañería de agua y despejar el filtro.  |
| Para llenar la hielera hasta su capacidad máxima, debería dispensar entre 12 y 18 horas después de la instalación.   | VERDADERO | Dispensar 3 o 4 cubos entre 12 y 18 horas luego de la instalación permite que el hielo se dispense dentro de la hielera, que a su vez requiere de la máquina de hacer hielo para producir hielo adicional. Producción normal de hielo = 100 cubos en 24 horas.   |
| Puede usar el tapón del bypass del filtro de agua para determinar si el filtro requiere un reemplazo.  | VERDADERO | Una reducción en el flujo del dispensador de agua o una reducción en la producción de hielo podrán indicar la necesidad de reemplazar el filtro de agua. Instale el tapón del bypass del filtro de agua (provisto con el refrigerador), y controle el flujo desde el dispensador. Si el flujo de agua regresa a la normalidad con la colocación del tapón del bypass, reemplace el filtro de agua.   |
| La parte superior de las puertas del refrigerador siempre estará alineada.   | MITO      | Varias cosas pueden afectar la alineación de la puerta de alimentos frescos, incluyendo el piso sobre el cual el refrigerador está instalado, y la carga de las puertas. Si la parte superior de las puertas de alimentos frescos no están alineadas, use una llave Allen de ¼" para ajustar la puerta derecha o izquierda. El tornillo de ajuste está ubicado en el costado inferior derecho o izquierdo de la puerta; abra la puerta del freezer para acceder al tornillo.         |
| Las manijas de la puerta del refrigerador se pueden ajustar fácilmente.  | VERDADERO | Si las manijas de la puerta están flojas o tienen una separación con la puerta, se podrán ajustar usando una llave Allen de 1/8", sobre los tornillos ubicados en los extremos de las manijas.   |
| Es posible que el hielo presente problemas con su olor y sabor.  | VERDADERO | Luego de iniciar la máquina de hacer hielo, deshágase de 24 horas de producción de hielo para evitar problemas de olor y sabor.  |
| Puedo hacer ajustes finos sobre las puertas de alimentos frescos para alinearlas.  | VERDADERO | Si las puertas de alimentos frescos no están alineadas, use una llave Allen de ¼" para ajustar la puerta de la derecha / izquierda. El tornillo de ajuste está ubicado en la parte inferior de la puerta derecha o izquierda. Abra la puerta del freezer para tener acceso.  |
| Las manijas de la puerta siempre se deben retirar para la instalación.   | MITO      | Controle el cuadro sobre el lado inverso de esta instrucción. Si las puertas se deben retirar, no retire las manijas, o si el refrigerador cabe cómodamente a través de la abertura del pasillo. Ajuste las manijas que estén flojas o que posean un espacio, ajustando el conjunto de tornillos de 1/8" en cada extremo de las manijas.   |

la puerta derecha o izquierda

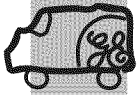
## SERVICIO

Antes de solicitar el servicio técnico, revise los consejos para la solución de problemas de forma detallada en el Manual del Propietario. En caso de ser necesario, se podrá programar el servicio técnico visitándonos a través de Internet en [GEAppliances.com](http://GEAppliances.com) o llamando al 800.ge.CARES 800.432.2737.

### Verdad o Mito (cont.)

| Verdad o Mito? (cont.)  | Respuesta | Explicación   |
|---|-----------|---|
| Siempre se requiere el retiro de la puerta para la instalación.   | MITO      | Controle el cuadro sobre el lado inverso de esta instrucción. Las puertas sólo se deben retirar cuando sea necesario para evitar daños en el pasillo o en el acceso hasta la ubicación final.   |
| Las puertas del refrigerador que no cierren luego de la instalación se podrán ajustar para que cierren de forma correcta. | VERDADERO | El mecanismo de la puerta funciona mejor si se instala a más de 90°. Si se instala a 180°, retire la puerta de la bisagra media, y balancee la puerta 180° antes de reinstalarla. Lea Cómo Reinstalar las Puertas del Refrigerador.                           |
| Hay un ajuste sobre las ruedas traseras.  | MITO      | Las patas niveladoras frontales son ajustables y se deberían usar para equilibrar el refrigerador. Las patas niveladoras se usan para hacer el ajuste inicial de la puerta de alimentos frescos.  |
| Controle pérdidas una vez realizadas todas las conexiones del agua.   | VERDADERO | Al purgar el aire del sistema de agua, controle pérdidas en todas las conexiones de las cañerías de agua. Controle la conexión con el suministro de agua del hogar en la parte trasera del refrigerador, y en la conexión de la tubería de agua de la puerta. |
| Mi pantalla de LCD siempre estará encendida cuando enchufe el cable de corriente en la instalación.                       | MITO      | Si el refrigerador se ubicó en un ambiente frío, es posible que la pantalla de LCD esté lenta al dar la imagen. Dé al refrigerador suficiente tiempo para calentarse, y la pantalla funcionará bien.  |
| Cualquier residuo del embalaje se podrá eliminar del refrigerador con un limpiador.                                       | MITO      | No use cera, pulidor, blanqueador u otros productos que contengan cloro sobre los paneles de Acero Inoxidable, manijas de puertas y componentes. Para acceder a detalles completos, controle estas instrucciones en "Limpieza de la Parte Exterior".          |

# Garantía del Refrigerador.



Todo el servicio de garantía es provisto por nuestros Centros de Servicio de Fabricación, o un técnico autorizado de Servicio al Cliente (Customer Care®). Para programar una visita del servicio técnico, visítenos en [GEAppliances.com](http://GEAppliances.com), o comuníquese al 800.GE.CARES (800.432.2737). Cuando llame para solicitar el servicio, tenga los números de serie y modelo disponibles.

Abroche su recibo aquí. Para acceder al servicio técnico de acuerdo con la garantía deberá contar con la prueba de la fecha original de compra.

Para realizar el servicio técnico de su refrigerador se podrá requerir el uso de datos del puerto de abordaje para su diagnóstico. Esto da al técnico del Servicio de Fábrica de GE la habilidad de diagnosticar de forma rápida cualquier problema con su electrodoméstico, y de ayudar a GE a mejorar sus productos al brindarle a GE la información sobre su electrodoméstico. Si no desea que los datos de su electrodoméstico sean enviados a GE, solicitamos que le indique a su técnico **NO** entregar los datos a GE en el momento del servicio.

| Por el Período de:   | GE Reemplazará   |
|--|--|
| <b>Un Año</b><br>Desde la fecha de la compra original  | Cualquier parte del refrigerador que falle debido a un defecto en los materiales o la fabricación. Durante esta <b>garantía limitada de un año</b> , GE también proveerá, <b>sin costo</b> , todo el trabajo y el servicio relacionado con el reemplazo de la parte que presente defectos.   |
| <b>Treinta Días</b><br>(Filtro de Agua, si está incluido)<br>Desde la fecha de la compra original del refrigerador | Cualquier parte del cartucho del filtro de Agua que falle debido a un defecto en los materiales o la fabricación. Durante la <b>garantía limitada por treinta días</b> , GE también le brindará, <b>sin costo</b> , el reemplazo de un cartucho del filtro de agua.  |
| <b>SÓLO MODELOS GE PROFILE™</b>  |  |
| <b>Cinco Años</b><br>Desde la fecha de la compra original  | Cualquier parte del sistema de refrigeración sellado (el compresor, condensador, evaporador y todas las tuberías de conexión) que falle debido a un defecto en los materiales o la fabricación. Durante esta <b>garantía de cinco años del sistema de refrigeración sellado</b> , GE también proveerá, sin costo, todo el trabajo y el servicio relacionado con el reemplazo de la parte que presente defectos en el sistema de refrigeración sellado. |

## Qué No Cubrirá GE:

- Viajes del técnico del servicio a su hogar para enseñarle sobre cómo usar el producto.
- Instalación, entrega o mantenimiento inadecuados.
- Fallas del producto en caso de abuso, mal uso, o uso para propósitos diferentes al original o uso comercial.
- Pérdida de alimentos por mal estado.
- Reemplazo de fusibles de la casa o reinicio de disyuntores.
- Daños sobre el acabado, tales como óxido sobre la superficie, deslustres o manchas pequeñas no informadas dentro de las 48 horas luego de la entrega.
- Reemplazo del cartucho del filtro de agua, si se incluye, debido a la presión del agua que está fuera del rango de funcionamiento específico o debido a exceso de sedimentos en el suministro de agua.
- Reemplazo de bombillas de luz, si se incluyen, o del cartucho del filtro de agua, si se incluye, a diferencia de lo detallado anteriormente.
- Daños ocasionados sobre el producto por accidente, incendio, inundaciones o catástrofes naturales.
- Daños consecuentes o incidentales causados por posibles defectos de este producto.
- Producto no accesible para brindar el servicio requerido.
- Daño ocasionado por un filtro de agua de una marca que no es GE.

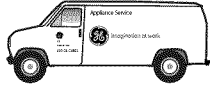
**EXCLUSIÓN DE GARANTÍAS IMPLÍCITAS—Su única y exclusiva alternativa es la reparación del producto, como se indica en la Garantía Limitada. Las garantías implícitas, incluyendo garantías implícitas de comerciabilidad o conveniencia sobre un propósito particular, se limitan a un año o al período más corto permitido por la ley.**

Esta garantía se extiende al comprador original y a cualquier dueño subsiguiente de productos comprados para uso hogareño dentro de EE.UU. Si el producto está en un área donde no se encuentra disponible un Proveedor Autorizado del Servicio Técnico de GE, usted será responsable por el costo de un viaje o se podrá requerir que traiga el producto a una ubicación del Servicio Técnico de GE Autorizado para recibir el servicio. En Alaska, la garantía excluye el costo de envío o llamadas del servicio a su hogar.

Algunos estados no permiten la exclusión o limitación de daños fortuitos o consecuentes. Esta garantía le da derechos legales específicos y es posible que tenga otros derechos legales que varían entre un estado y otro. Para conocer cuáles son sus derechos legales, consulte a la oficina de asuntos del consumidor local o estatal o al Fiscal de su estado.

Warrantor: General Electric Company, Louisville, KY 40225

# Garantía Limitada del Cartucho del Filtro de Agua RPWFE



Comuníquese con nosotros en [www.geapplianceparts.com](http://www.geapplianceparts.com), o llame al 800.GE.CARES.

Abroche su recibo aquí. Para acceder al servicio técnico de acuerdo con la garantía deberá contar con la prueba de la fecha original de compra.

|   |   |
|---|---|
| <b>Por el Período de:</b>                                 | <b>Reemplazaremos, Sin Costo:</b>   |
| <i>Treinta Días</i><br>Desde la fecha de compra original. | <i>Cualquier parte</i> del cartucho del filtro de agua que falle debido a un defecto en los materiales o la fabricación durante esta <b>garantía limitada</b> de treinta días.* |

## Qué No Está Cubierto:

- Viajes del técnico del servicio a su hogar para enseñarle sobre cómo usar el producto.
- Instalación inadecuada.
- Fallas del producto en caso de abuso, mal uso, o uso para propósitos diferentes al original o uso comercial
- Reemplazo de fusibles de la casa o reinicio de disyuntores.
- Reemplazo del cartucho del filtro de agua debido a la presión del agua que está fuera del rango de funcionamiento específico o debido a exceso de sedimentos en el suministro de agua.
- Daños ocasionados sobre el producto por accidente, incendio, inundaciones o catástrofes naturales.
- Daños consecuentes o incidentales causados por posibles defectos de este producto.

*Esta garantía se extiende al comprador original y a cualquier dueño subsiguiente de productos adquiridos para uso hogareño dentro de EE.UU. En Alaska, la garantía excluye el costo de envío o llamadas al servicio técnico desde su hogar. Algunos estados no permiten la exclusión o limitación de daños fortuitos o consecuentes. Esta garantía le da derechos legales específicos y es posible que tenga otros derechos legales que varían entre un estado y otro. Para conocer cuáles son sus derechos legales, consulte a la oficina de asuntos del consumidor local o estatal o al Fiscal de su estado.*

**Para Adquisiciones Realizadas en Iowa:** Este formulario debe poseer la firma y fecha del comprador y del vendedor antes de la consumación de esta venta.

Este formulario debería ser retenido por el vendedor en un archivo durante un mínimo de dos años.

### Comprador:

Nombre \_\_\_\_\_

Domicilio \_\_\_\_\_

Ciudad \_\_\_\_\_ Estado \_\_\_\_\_ Código Postal \_\_\_\_\_

Firma \_\_\_\_\_ Fecha \_\_\_\_\_

### Vendedor:

Nombre \_\_\_\_\_

Domicilio \_\_\_\_\_

Ciudad \_\_\_\_\_ Estado \_\_\_\_\_ Código Postal \_\_\_\_\_

Firma \_\_\_\_\_ Fecha \_\_\_\_\_

\*Si su pieza de GE falla debido a un defecto en la fabricación dentro de los treinta días desde la fecha de compra original, le entregaremos una pieza nueva o, a su elección, una pieza reconstruida sin cargo. Devuelva la pieza defectuosa al proveedor de piezas a quien le realizó la compra, junto con una copia de la "prueba de compra" de la pieza. Si la pieza es defectuosa y no muestra signos de abuso, será cambiada. La garantía no cubre la falla de las piezas que están dañadas mientras están en su posesión, si son abusadas, o si fueron instaladas de forma incorrecta. No cubre el costo de regresar la pieza al proveedor a quien le realizó la compra ni cubre el costo del trabajo para retirar o instalar la misma a fin de diagnosticar la falla. No cubre las piezas usadas en productos de uso comercial, excepto en el caso de equipos acondicionadores de aire. En ningún caso GE será responsable por daños consecuentes. Garante: General Electric Company

EXCLUSIÓN DE GARANTÍAS IMPLÍCITAS: Su única y exclusiva alternativa es el cambio de la pieza, como se indica en esta Garantía Limitada. Las garantías implícitas, incluyendo garantías implícitas de comerciabilidad o conveniencia sobre un propósito particular, se limitan a seis meses o al periodo más corto permitido por la ley.



**GE**  
Appliances  
Appliance Park  
Louisville, KY 40225  
[geapplianceparts.com](http://geapplianceparts.com)

**RPWFE**

34-8715-2704-9

EPA #070595-MEX-001

© 2014 General Electric Company PC78863

# Ficha Técnica de Funcionamiento del Modelo: GE RPWFE

Use el Cartucho de Reemplazo de RPWFE.

La concentración de las sustancias indicadas en el agua que ingresa al sistema fue reducida a la concentración menor que o igual al límite permisible para el agua que deja el sistema, como se especifica en el Estándar 42 y en el Estándar 53 de NSF/ANSI. Sistema evaluado y certificado por NSF International contra el Estándar 42 y el Estándar 53 de NSF/ANSI para la reducción de sustancias que figuran a continuación.

## Capacidad de 170 galones (643.5 litros). Reducción de Contaminantes Determinada por la evaluación de NSF.

| Sustancia Evaluada para la Reducción         | Concentración Promedio | Concentración Máxima Especificada por NSF  | % Promedio de Reducción | Promedio de Concentración del Agua Procesada | Concentración Máxima Autorizada Aceptable de Agua Procesada | Requisitos de Reducción de NSF | Informe de Evaluación de NSF |
|--|------------------------|--|-------------------------|--|---|--------------------------------|------------------------------|
| Gusto y Olor a Cloro                         | 2.0 mg/L               | 2.0 mg/L ± 10%   | 97.4%                   | 0.05 mg/L                                    | N/A   | ≥50%                           | J-00102044                   |
| Partícula Nominal: Clase I, ≥0.5 to < 1.0 µm | 7,633,333 pts/mL       | Por lo menos 10,000 partículas/mL  | 99.0%                   | 71,850 pts/ml                                | N/A   | ≥85%                           | J-00106249                   |
| Asbestos                                     | 109 MFL                | 10 <sup>7</sup> a 10 <sup>8</sup> fibras/L; fibras superiores a 10µm de longitud | 99.99%                  | <1 MFL                                       | N/A   | ≥99%                           | J-00102069                   |
| Atrazine                                     | 0.009 mg/L             | 0.009 mg/L ± 10%   | 94.4%                   | 0.0005 mg/L                                  | 0.003 mg/L  | N/A                            | J-00102058                   |
| Benceno                                      | 0.016 mg/L             | 0.015 mg/L ± 10%   | 96.4%                   | 0.001 mg/L                                   | 0.005 mg/L  | N/A                            | J-00102065                   |
| Carbofurano                                  | 0.08 mg/L              | 0.08 mg/L ± 10%  | 98.8%                   | 0.001 mg/L                                   | 0.04 mg/L   | N/A                            | J-00102059                   |
| Quiste*                                      | 104,750 quistes/L      | Mínimo de 50,000 quistes/L   | 99.99%                  | 3 quistes/L                                  | N/A   | ≥99.95%                        | J-00102057                   |
| Plomo en pH 6.5                              | 0.140 mg/L             | 0.15 mg/L ± 10%  | 99.3%                   | 0.001 mg/L                                   | 0.010 mg/L  | N/A                            | J-00102052                   |
| Plomo en pH 8.5                              | 0.158 mg/L             | 0.15 mg/L ± 10%  | 98.3%                   | 0.002 mg/L                                   | 0.010 mg/L  | N/A                            | J-00102053                   |
| Mercury en pH 6.5                            | 0.006 mg/L             | 0.006 mg/L ± 10%   | 91%                     | 0.0003 mg/L                                  | 0.002 mg/L  | N/A                            | J-00102054                   |
| Mercury en pH 8.5                            | 0.006 mg/L             | 0.006 mg/L ± 10%   | 88.3%                   | 0.0007 mg/L                                  | 0.002 mg/L  | N/A                            | J-00104087                   |
| Lindano                                      | 0.002 mg/L             | 0.002 mg/L ± 10%   | 99%                     | 0.00002 mg/L                                 | 0.0002 mg/L   | N/A                            | J-00102063                   |
| P-Diclorobenceno                             | 0.222 mg/L             | 0.225 mg/L ± 10%   | 99.8%                   | 0.0005 mg/L                                  | 0.075 mg/L  | N/A                            | J-00102067                   |
| Toxafeno                                     | 0.015 mg/L             | 0.015 mg/L ± 10%   | 93.5%                   | 0.001 mg/L                                   | 0.003 mg/L  | N/A                            | J-00102061                   |
| Reducción de 2,4 D                           | 0.218 mg/L             | 0.210 mg/L ± 10%   | 99.9%                   | 0.0001 mg/L                                  | 0.07 mg/L   | N/A                            | J-00102064                   |
| COV  | 0.278 mg/L             | 0.300 mg/L ± 10%   | 97.7%                   | 0.0015 mg/L                                  | N/A   | ≥95%                           | J-00102070                   |

\*Basado en el uso de Cryptosporidium parvum oocysts.

Los siguientes reclamos de reducción farmacéutica no fueron certificados por NSF International. Reclamos evaluados y verificados por un laboratorio independiente:

| Reducción de la Sustancia | Concentración Promedio | Concentración Máxima Especificada por NSF | % Promedio de Reducción | Promedio de Concentración del Agua Procesada | Concentración Máxima Autorizada Aceptable de Agua Procesada | Informe de Evaluación de NSF |
|---------------------------|------------------------|---|-------------------------|--|---|------------------------------|
| Atenolol                  | 1088 ng/L              | N/A                                       | 99.5%                   | 5.0 ng/L                                     | N/A   | J-00103221                   |
| Fluoxetina                | 845 ng/L               | N/A                                       | 99.4%                   | 5.0 ng/L                                     | N/A   | J-00103221                   |
| Ibuprofeno                | 898 ng/L               | N/A                                       | 98.8%                   | 9.9 ng/L                                     | N/A   | J-00103726                   |
| Progesterona              | 945 ng/L               | N/A                                       | 99.4%                   | 5.5 ng/L                                     | N/A   | J-00103727                   |
| Trimetoprima              | 403 ng/L               | N/A                                       | 99.5%                   | 2.0 ng/L                                     | N/A   | J-00103221                   |

## Pautas de Aplicación/ Parámetros de Suministro de Agua

|                    |                    |
|--------------------|--------------------|
| Flujo de Servicio  | 0.5 gpm (1.89 lpm) |
| Suministro de Agua | Agua Potable       |

|                      |                                 |
|----------------------|---------------------------------|
| Presión del Agua     | 25-120 psi (172- 827 kPa)       |
| Temperatura del agua | 33° F - 100° F (0.6° C - 38° C) |

Es esencial que se cumpla con los requisitos de instalación, mantenimiento y reemplazo de filtros recomendados por el fabricante, a fin de que el producto funcione de acuerdo a como fue promocionado. Para acceder a información sobre la Garantía, consulte el Manual de Instalación.

**Nota:** Observe que aunque la evaluación se realizó de acuerdo con condiciones estándares de laboratorio, el desempeño puede variar  
Reemplazo del Cartucho: RPWFE. Para conocer costos estimados de elementos de reemplazo, comuníquese al 1-800-626-2002 o visite nuestro sitio Web en [www.geappliancesparts.com](http://www.geappliancesparts.com).

### ⚠ WARNING

A fin de reducir el riesgo asociado con la ingestión de contaminantes:

- No se deben usar con agua que no sea microbiológicamente segura o de calidad desconocida sin una desinfección adecuada, antes o después, del sistema. Los sistemas certificados para la reducción de quistes se podrían usar en aguas desinfectadas que puedan contener quistes filtrables. Número de Establecimiento de EPA 070595-MEX-001.

### AVISO

A fin de reducir el riesgo de pérdidas de agua o inundación, y para asegurar un rendimiento óptimo del filtro:

- Lea y siga las Instrucciones de uso antes de la instalación y uso de este sistema.
- La instalación y uso DEBERÁN cumplir con todos los códigos estatales y locales de plomería.

- No se deberá instalar si la presión del agua supera los 120 psi (827 kPa). Si la presión del agua es superior a los 80 psi, deberá instalar una válvula limitadora de presión. Si no está seguro sobre cómo controlar la presión del agua, comuníquese con un plomero profesional.
- No instale cuando se puedan producir condiciones de golpe de ariete. Si existen condiciones de golpe de ariete, deberá instalar un suspensor de golpes de ariete. Si no está seguro sobre cómo controlar esta condición, comuníquese con un plomero profesional.
- No instale en líneas de suministro de agua caliente. La temperatura máxima de funcionamiento del agua para este sistema de filtro es de 100°F (37.8°C).
- Proteja el filtro de heladas. Drene el filtro cuando las temperaturas sean inferiores a 33°F (0.6°C).
- Cambie el cartucho del filtro descartable cada seis meses o antes, si observa una reducción notoria en el promedio del flujo de agua.
- Si no se reemplaza el cartucho del filtro descartable en intervalos recomendados, se podrá producir un rendimiento inferior del filtro y quebraduras en el espacio de colocación del filtro, ocasionando pérdidas de agua o inundación.



## Consumer Support.

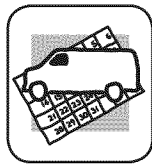
---



### Sitio Web de Electrodomésticos de GE

En EE.UU.: [GEAppliances.com](http://GEAppliances.com)

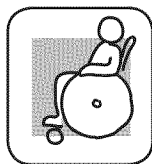
¿Desea realizar una consulta o necesita ayuda con su electrodoméstico? ¡Intente a través del Sitio Web de Electrodomésticos de GE las 24 horas del día, cualquier día del año! Para mayor conveniencia y un servicio más rápido, ahora puede descargar el Manual del Propietario, ordenar piezas o incluso programar el servicio técnico a través de Internet.



### Servicio Programado

En EE.UU.: [GEAppliances.com](http://GEAppliances.com)

El servicio de reparación de expertos de GE está a sólo un paso de su puerta. ¡Conéctese a través de Internet y programe su servicio a su conveniencia cualquier día del año! O llame al 800.GE.CARES (800.432.2737) durante el horario comercial habitual.



### Estudio de Diseño de la Vida Real

En EE.UU.: [GEAppliances.com](http://GEAppliances.com)

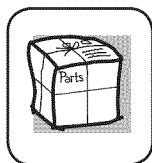
GE apoya el concepto de Diseño Universal – productos, servicios y ambientes que pueden ser usados por personas de todas las edades, tamaños y capacidades. Reconocemos la necesidad de realizar diseños para una amplia gama de habilidades e incapacidades físicas y mentales. Para más detalles sobre las aplicaciones de Diseño Universal de GE, incluyendo ideas de diseño de cocinas para personas con incapacidades, visite nuestro sitio web hoy. Sobre casos de incapacidad auditiva, comuníquese al 800.TDD.GEAC (800.833.4322).



### Garantías Extendidas

En EE.UU.: [GEAppliances.com](http://GEAppliances.com)

Adquiera una garantía extendida de GE y aprenda sobre descuentos especiales que están disponibles mientras su garantía aún está vigente. La puede adquirir a través de Internet en cualquier momento o llamando al 800.626.2224 durante el horario comercial habitual. Los Servicios para el Consumidor Hogareño de GE aún estarán allí cuando su garantía caduque.



### Piezas y Accesorios

En EE.UU.: [GEApplianceParts.com](http://GEApplianceParts.com)

Individuos calificados para realizar el servicio técnico de sus propios electrodomésticos podrán solicitar el envío de piezas o accesorios directamente a sus hogares (se aceptan las tarjetas VISA, MasterCard y Discover). Ordene hoy a través de Internet, las 24 horas del día o en forma telefónica llamando al 800.626.2002, durante el horario comercial habitual.

Las instrucciones que figuran en este manual cubren los procedimientos que serán realizados por cualquier usuario. Otros servicios técnicos generalmente deberían ser derivados a personal calificado del servicio. Se deberá tener cuidado, ya que una reparación indebida podrá ocasionar que el funcionamiento no sea seguro.



### Contáctenos

En EE.UU.: [GEAppliances.com](http://GEAppliances.com)

Si no se encuentra satisfecho con el servicio que recibió de GE, comuníquese con nosotros a través de nuestro sitio web con todos los detalles, incluyendo su número telefónico, o escriba a:

General Manager, Customer Relations  
GE Appliances, Appliance Park  
Louisville, KY 40225



### Registre su Electrodoméstico

En EE.UU.: [GEAppliances.com](http://GEAppliances.com)

Registre su electrodoméstico nuevo a través de Internet - ¡a su conveniencia! Un registro puntual de su producto permitirá una mejor comunicación y un servicio más puntual de acuerdo con los términos de su garantía, en caso de surgir la necesidad. También puede enviar una carta en la tarjeta de inscripción preimpresa que se incluye con el material embalado.

## Consumer Support.

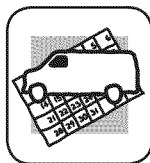
---



### GE Appliances Website

In the U.S.: *GEAppliances.com*

Have a question or need assistance with your appliance? Try the GE Appliances website, 24 hours a day, any day of the year! For greater convenience and faster service, you can now download Owner's Manuals, order parts or even schedule service on-line. In Canada: [www.GEAppliances.ca](http://www.GEAppliances.ca)

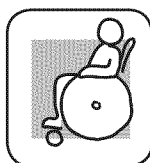


### Schedule Service

In the U.S.: *GEAppliances.com*

Expert GE repair service is only one step away from your door. Get on-line and schedule your service at your convenience any day of the year! Or call 800.GE.CARES (800.432.2737) during normal business hours.

In Canada, call 1.800.561.3344

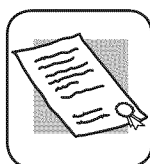


### Real Life Design Studio

In the U.S.: *GEAppliances.com*

GE supports the Universal Design concept—products, services and environments that can be used by people of all ages, sizes and capabilities. We recognize the need to design for a wide range of physical and mental abilities and impairments. For details of GE's Universal Design applications, including kitchen design ideas for people with disabilities, check out our Website today. For the hearing impaired, please call 800.TDD.GEAC (800.833.4322).

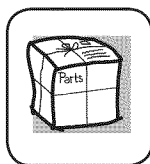
In Canada, contact:   Manager, Consumer Relations, Mabe Canada Inc.  
Suite 310, 1 Factory Lane  
Moncton, N.B. E1C 9M3



### Extended Warranties

In the U.S.: *GEAppliances.com*

Purchase a GE extended warranty and learn about special discounts that are available while your warranty is still in effect. You can purchase it on-line anytime, or call 800.626.2224 during normal business hours. GE Consumer Home Services will still be there after your warranty expires. In Canada, call 1.888.261.2133



### Parts and Accessories

In the U.S.: *GEApplianceParts.com*

Individuals qualified to service their own appliances can have parts or accessories sent directly to their homes (VISA, MasterCard and Discover cards are accepted). Order on-line today, 24 hours every day or by phone at 800.626.2002 during normal business hours.

Instructions contained in this manual cover procedures to be performed by any user. Other servicing generally should be referred to qualified service personnel. Caution must be exercised, since improper servicing may cause unsafe operation.

Customers in Canada should consult the yellow pages for the nearest Mabe service center, or call 1.800.661.1616.



### Contact Us

In the U.S.: *GEAppliances.com*

If you are not satisfied with the service you receive from GE, contact us on our Website with all the details including your phone number, or write to:

General Manager, Customer Relations  
GE Appliances, Appliance Park  
Louisville, KY 40225

In Canada: [www.GEAppliances.ca](http://www.GEAppliances.ca), or write to:

Director, Consumer Relations, Mabe Canada Inc.  
Suite 310, 1 Factory Lane  
Moncton, N.B. E1C 9M3



### Register Your Appliance

In the U.S.: *GEAppliances.com*

Register your new appliance on-line—at your convenience! Timely product registration will allow for enhanced communication and prompt service under the terms of your warranty, should the need arise. You may also mail in the pre-printed registration card included in the packing material. In Canada: [www.GEAppliances.ca](http://www.GEAppliances.ca)