

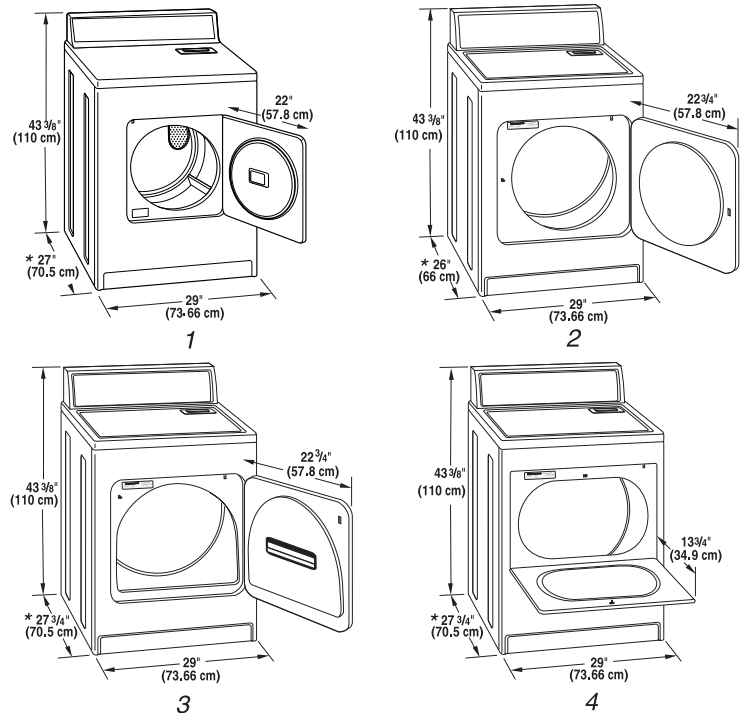
PRODUCT MODEL NUMBERS

GEW9878P	LEQ9508L	LER5636P
LEB6000K	LEQ9508P	LER5644J
LEB6000P	LEQ9857L	LER5644P
LEB6200P	LEQ9857P	LER6611L
LEB6300L	LEQ9858L	LER6611P
LEB6300P	LEQ9858P	LER6620P
LEB6400L	LER2614J	LER6621P
LEN1000P	LER3624J	LER6636P
LEN2000K	LER3624P	LER7620L
LEN2000L	LER4600P	LER7648K
LEN2000P	LER4610P	LER7648P
LEQ5000K	LER4634J	LER8620P
LEQ5000P	LER4634P	LER8648L
LEQ7000K	LER5620K	LER8648P
LEQ7030K	LER5634L	
LEQ8000J	LER5635L	
LEQ9030P	LER5636L	

Electrical: A four-wire or three-wire, single phase, 120/240-volt, 60-Hz, AC-only, electrical supply (or 120/208-volt electrical supply, if specified on the serial/rating plate) is required on a separate 30-ampere circuit, fused on both sides of the line. Use 10 gauge solid copper wire. A time-delay fuse or circuit breaker is recommended.

Exhaust venting: Exhaust your dryer to the outside. Four-inch diameter vent is required. Rigid or flexible metal exhaust vent must be used. Do Not use plastic or metal foil vent. Exhaust outlet hood must be at least 12 inches from the ground or any object that may be in the path of the exhaust.

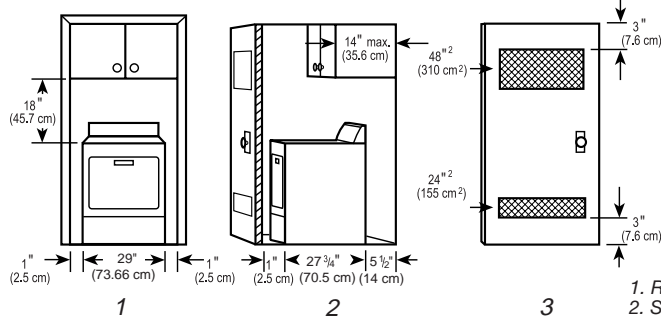
OVERALL DIMENSIONS



1. Small Opening Side-Swing Door
2. Large Opening Side-Swing Door

3. Wide Opening Side-Swing Door
4. Wide Opening Hamper Door

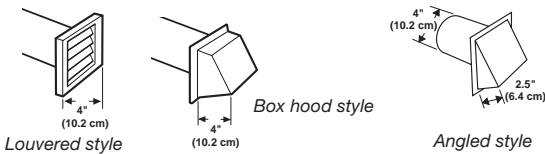
RECESSED AREA AND CLOSET INSTALLATION



For closet installation with a door, minimum ventilation openings in the top and bottom of the door are required. Louvered doors with equivalent air openings are acceptable.

1. Recessed area
2. Side view - closet or confined area
3. Closet door with vents

EXHAUST VENTING



Vent Length Chart

Number of 90° turns or elbows	Type of vent	Box or Louvered hoods	Angled hoods
0	Rigid metal	64 ft (20 m)	58 ft (17.7 m)
	Flexible metal	36 ft (11 m)	28 ft (8.5 m)
1	Rigid metal	54 ft (16.5 m)	48 ft (14.6 m)
	Flexible metal	31 ft (9.4 m)	23 ft (7 m)
2	Rigid metal	44 ft (13.4 m)	38 ft (11.6 m)
	Flexible metal	27 ft (8.2 m)	19 ft (5.8 m)
3	Rigid metal	35 ft (10.7 m)	29 ft (8.8 m)
	Flexible metal	25 ft (7.6 m)	17 ft (5.2 m)
4	Rigid metal	27 ft (8.2 m)	21 ft (6.4 m)
	Flexible metal	23 ft (7 m)	15 ft (4.6 m)

1. Select the route that will provide the straightest and most direct path outdoors. Plan the installation to use the fewest number of elbows and turns. When using elbows or making turns, allow as much room as possible. Bend vent gradually to avoid kinking. Avoid 90° turns.

2. Determine vent length.

The maximum length of the exhaust system depends upon:

- The type of vent (rigid metal or flexible metal).
- The number of elbows used.
- Type of hood.

See the exhaust vent length chart that matches your hood type for the maximum vent lengths you can use.

3. Determine the number of elbows you will need.

IMPORTANT: Do not use vent runs longer than specified in the Vent Length Chart.

In the column listing the type of metal vent you are using (rigid metal or flexible metal), find the maximum length of metal vent on the same line as the number of elbows.