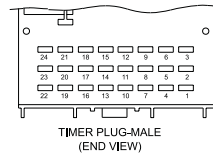
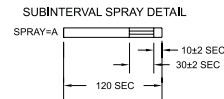
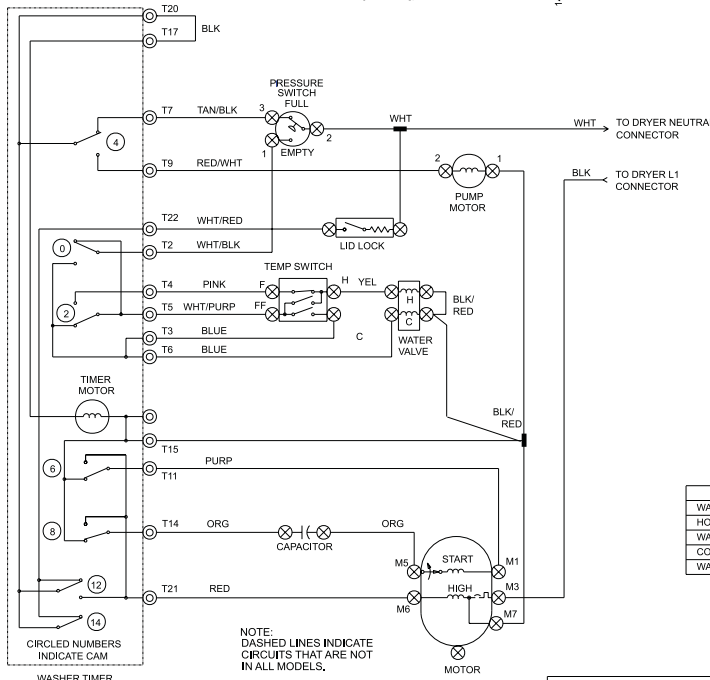
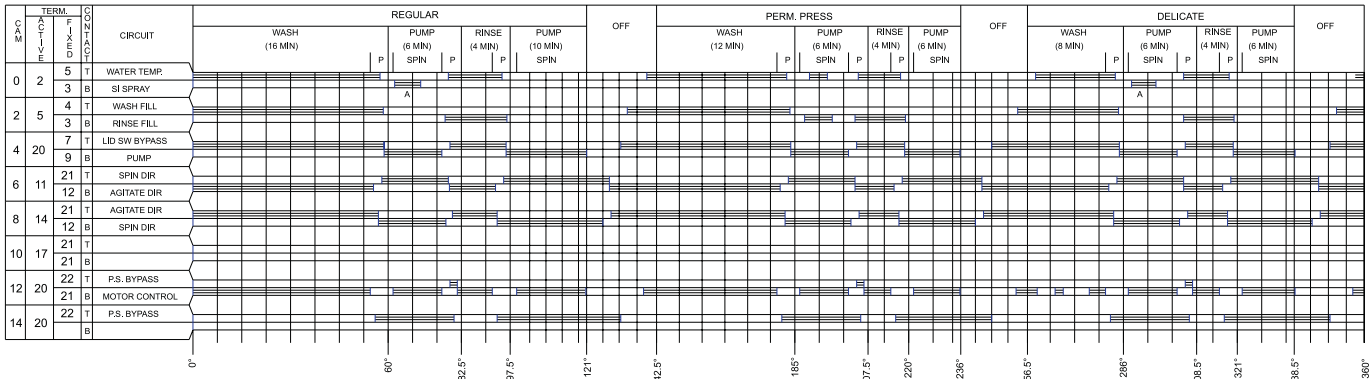


CAUTION: DISCONNECT ELECTRIC CURRENT BEFORE SERVICING, LABEL ALL WIRES PRIOR TO DISCONNECTION WHEN SERVICING CONTROLS, WIRING ERRORS CAN CAUSE IMPROPER AND DANGEROUS OPERATION, VERIFY PROPER OPERATION AFTER SERVICING.



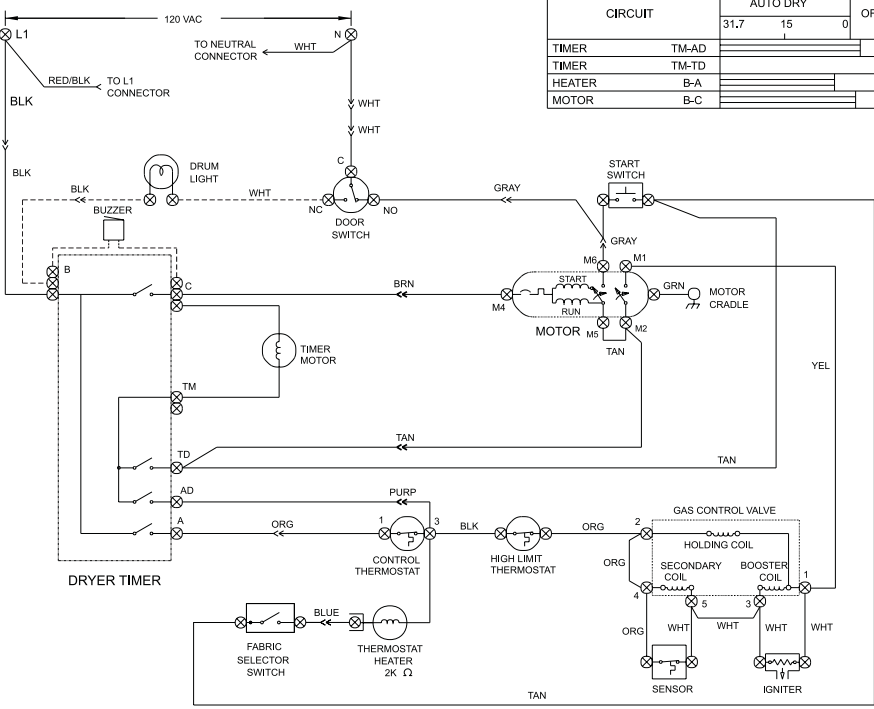
WIRING CODES	
	PLUG-IN TIMER
	QUICK DISCONNECT TERMINAL
	CONNECTION
	NO CONNECTION
	MOTOR SWITCH
	SPLICE
	MOTOR PROTECTOR
	CHASSIS (CABINET) GROUND
	SCREW TERMINAL
	HARNES CONNECTOR TERMINAL
	INSULATED TERMINAL

- NOTES:
1. ALL WIRING MUST CONFORM TO LOCAL ELECTRICAL CODES.
 2. CONNECT DRYER TO 15 AMP INDIVIDUAL BRANCH CIRCUIT.
 3. DRYER TIMER SHOWN IN OFF POSITION DOOR SWITCH CLOSED, MOTOR AT REST, AN THERMOSTAT CLOSED, AND FABRIC SELECTOR SWITCH AT HIGH HEAT.
- WASHER TIMER SHOWN IN ON POSITION TEMPERATURE SELECTOR SWITCH AT HOT WASH/COLD RINSE, AND PRESSURE SWITCH FULL.

TEMPERATURE SWITCH CIRCUIT			
WASH/RINSE	F-H	FF-H	FF-C
HOT/COLD	X		
WARM/WARM (OPT)		X	X
COLD/COLD		X	X
WARM/COLD	X		

X=CLOSED

CIRCUIT	CYCLES											
	AUTO DRY	OFF	TIMED DRY (MIN)							OFF		
	31.7	15	0	105.3	90	75	60	45	30	15	0	OFF
TIMER	TM-AD											
TIMER	TM-TD											
HEATER	B-A											
MOTOR	B-C											



BAR CHART ABOVE REPRESENTS ONE COMPLETE REVOLUTION OF TIMER SHAFT. SHADED PORTION OF BAR CHART INDICATES THE PROPORTIONAL TIMES THAT INTERNAL TIMER CONTACTS ARE CLOSED.

FABRIC SELECTOR SWITCH	
POSITION	CIRCUIT
LOW HEAT	X
HIGH HEAT	

X=CLOSED

G

WIRING DIAGRAM
P/N 134066200