

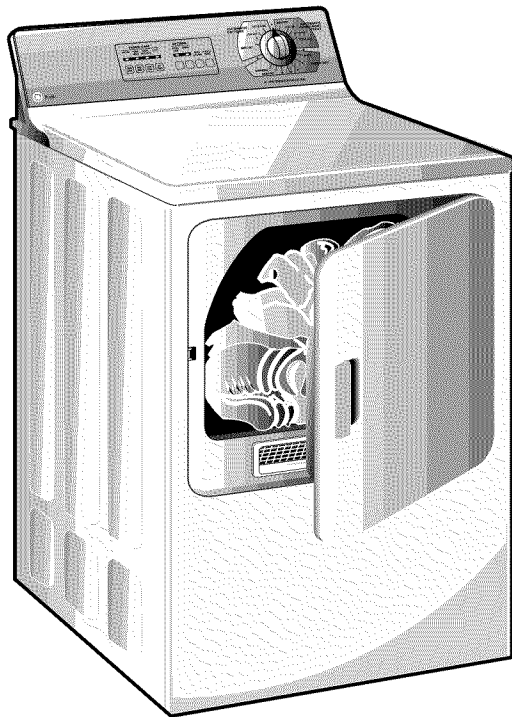


GE Appliances

Profile Performance
Dryers

Profile Performance
Sécheuses

Profile Performance
Secadoras



Owner's Manual
Manuel d'utilisation
Manual del propietario

Type 495

Type 505

English section begins on page 2

La section française commence à la page 16

La sección en español empieza en la página 32



GE Answer Center® 800.626.2000

Part No. 175D1807P246 Pub. No. 49-9975 3-98 CG

500A295P023

Operating Instructions

Controls	6, 7
Features	8
Drying Center	9
Reversing The Door	10
Loading and Using The Dryer	11
Venting The Dryer	12

Troubleshooting Tips

Before You Call For Service	13, 14
-----------------------------------	--------

Customer Service

Warranty	15
Service Telephone Numbers	Back Cover

Congratulations! You Are Now Part of the GE Family.

Welcome to the GE family. We're proud of our quality products and we are committed to providing dependable service. You'll see it in this easy-to-use Owner's Manual and you'll hear it in the friendly voices of our customer service department.

Best of all, you'll experience these values each time you use your dryer. That's important, because your new dryer will be part of your family for many years. And we hope you will be part of ours for a long time to come.

We thank you for buying GE. We appreciate your purchase, and hope you will continue to rely on us whenever you need quality appliances for your home.

GE & You, A Service Partnership.



IMPORTANT!

Staple sales slip or cancelled check here.

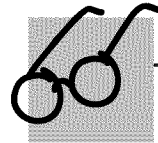
Proof of the original purchase date is needed to obtain service under the warranty.



FOR YOUR RECORDS

Write the model and serial numbers here:

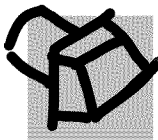
They are on the label on the front of the dryer behind the door.



READ THIS MANUAL

Inside you will find many helpful hints on how to use and maintain your dryer properly. Just a little preventive care on your part can save you a great deal of time and money over the life of your dryer.

You'll find many answers to common problems in the *Before You Call For Service* section. If you review our chart of *Troubleshooting Tips* first, you may not need to call for service at all.



PROPER VENTING

For the best drying performance the dryer needs to be properly vented. The dryer will use more energy and run longer if it is not vented to the specifications outlined in the *Venting the Dryer* section in this manual and the *Exhausting* section in the Installation Instructions.



IF YOU NEED SERVICE

If you do need service, you can relax knowing help is only a phone call away. A list of toll-free customer service numbers is included in the back section. Or, **in the U.S.**, you can always call the GE Answer Center[®] at 800.626.2000, 24 hours a day, 7 days a week. **In Canada**, call 1-800-361-3400.

IMPORTANT SAFETY INFORMATION. READ ALL INSTRUCTIONS BEFORE USING.

⚠ WARNING!

For your safety, the information in this manual must be followed to minimize the risk of fire or explosion, electric shock, or to prevent property damage, personal injury, or death.

- **Do not store or use gasoline or other flammable vapors and liquids in the vicinity of this or any other appliance.**
- **Installation and service must be performed by a qualified installer, service agency or the gas supplier.**

WHAT TO DO IF YOU SMELL GAS:

- 1 **Do not try to light a match, or cigarette, or turn on any gas or electrical appliance.**
- 2 **Do not touch any electrical switch; do not use any phone in your building.**
- 3 **Clear the room, building or area of all occupants.**
- 4 **Immediately call your gas supplier from a neighbor's phone. Follow the gas supplier's instructions carefully.**
- 5 **If you cannot reach your gas supplier, call the fire department.**

California Safe Drinking Water and Toxic Enforcement Act

This act requires the governor of California to publish a list of substances known to the state to cause cancer, birth defects or other reproductive harm and requires businesses to warn customers of potential exposure to such substances.

Gas appliances can cause minor exposure to four of these substances, namely benzene, carbon monoxide, formaldehyde and soot, caused primarily by the incomplete combustion of natural gas or LP fuels.

Properly adjusted dryers will minimize incomplete combustion. Exposure to these substances can be minimized further by properly venting the dryer to the outdoors.



PROPER INSTALLATION

This dryer must be properly installed and located in accordance with the Installation Instructions before it is used. If you did not receive an Installation Instructions sheet, you can receive one by calling us toll-free at the GE Answer Center®, 800.626.2000.

- Properly ground dryer to conform with all governing codes and ordinances. Follow details in Installation Instructions.
- Install or store where it will not be exposed to temperatures below freezing or exposed to the weather.
- Connect to a properly rated, protected and sized power supply circuit to avoid electrical overload.
- Remove all sharp packing items and dispose of all shipping materials properly.

Exhaust/Ducting:

- 1 Gas dryers **MUST** be exhausted to the outside.
- 2 Exhausting electric dryers to the outside is **strongly recommended** to prevent large amounts of moisture and lint from being blown into the room.
- 3 Use only rigid metal or flexible metal 4" diameter ductwork inside the dryer cabinet or for exhausting to the outside. **USE OF PLASTIC OR OTHER COMBUSTIBLE DUCTWORK CAN CAUSE A FIRE. PUNCTURED DUCTWORK CAN CAUSE A FIRE IF IT COLLAPSES OR BECOMES OTHERWISE RESTRICTED IN USE OR DURING INSTALLATION.**

For complete details, follow the Installation Instructions.

IMPORTANT SAFETY INFORMATION. READ ALL INSTRUCTIONS BEFORE USING.

⚠ WARNING!



YOUR LAUNDRY AREA

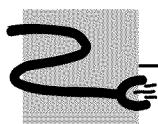
- Keep the area underneath and around your appliances free of combustible materials (lint, paper, rags, etc.), gasoline, chemicals, and other flammable vapors and liquids.
- Keep the floor around your appliances clean and dry to reduce the possibility of slipping.
- Close supervision is necessary if this appliance is used by or near children. Do not allow children to play on, with, or inside this or any other appliance.
- Keep all laundry aids (such as detergents, bleaches, etc.) out of the reach of children, preferably in a locked cabinet. Observe all warnings on container labels to avoid injury.
- Never climb on or stand on the dryer top.



WHEN USING YOUR DRYER

- Never reach into the dryer while the drum is moving. Before loading, unloading or adding clothes, wait until the drum has completely stopped.
- Clean the lint filter before each load to prevent lint accumulation inside the dryer or in the room. **DO NOT OPERATE THE DRYER WITHOUT THE LINT FILTER IN PLACE.**
- Do not wash or dry articles that have been cleaned in, washed in, soaked in, or spotted with combustible or explosive substances (such as wax, oil, paint, gasoline, degreasers, dry-cleaning solvents, kerosene, etc.) which may ignite or explode. Do not add these substances to the wash water. Do not use or place these substances around your washer or dryer during operation.
- Any article on which you have used a cleaning solvent or that contains flammable materials (such as cleaning cloths, mops, towels used in beauty salons, restaurants, or barber shops, etc.) must not be placed in or near the dryer until solvents or flammable materials have been removed. There are many highly flammable items used in homes such as acetone, denatured alcohol, gasoline, kerosene, some household cleaners, some spot removers, turpentine, waxes, wax removers and products containing petroleum distillates.
- The laundry process can reduce the flame retardancy of fabrics. To avoid such a result, carefully follow the garment manufacturer's care instructions.
- Do not dry articles containing rubber, plastic, foam, or similar materials such as padded bras, tennis shoes, galoshes, bath mats, rugs, bibs, baby pants, plastic bags, pillows, etc., that may melt or burn. Some rubber materials, when heated, can under certain circumstances produce fire by spontaneous combustion.
- Do not store plastic, paper or clothing that may burn or melt on top of the dryer during operation.
- Garments labeled *Dry Away from Heat* or *Do Not Tumble Dry* (such as life jackets containing Kapok) must not be put in your dryer.
- Do not dry fiberglass articles in your dryer. Skin irritation could result from the remaining particles that may be picked up by clothing during subsequent dryer uses.
- To minimize the possibility of electric shock, unplug this appliance from the power supply or disconnect the dryer at the household distribution panel by removing the fuse or switching off the circuit breaker before attempting any maintenance or cleaning (except the removal and cleaning of the lint filter). **NOTE:** Turning the Cycle Selector knob to an **OFF** position does **NOT** disconnect the appliance from the power supply.

- Never attempt to operate this appliance if it is damaged, malfunctioning, partially disassembled, or has missing or broken parts, including a damaged cord or plug.
- The interior of the machine and the exhaust duct connection inside the dryer should be cleaned at least once a year by a qualified technician. See the *Loading and Using the Dryer* section.
- If yours is a gas dryer, it is equipped with an automatic electric ignition and does not have a pilot light. **DO NOT ATTEMPT TO LIGHT WITH A MATCH.** Burns may result from having your hand in the vicinity of the burner when the automatic ignition turns on.
- You may wish to soften your laundered fabrics or reduce the static electricity in them by using a dryer-applied fabric softener or an anti-static conditioner. We recommend you use either a fabric softener in the wash cycle, according to the manufacturer's instructions for those products, or try a dryer-added product for which the manufacturer gives written assurance on the package that their product can be safely used in your dryer. Service or performance problems caused by use of these products are the responsibility of the manufacturers of those products and are not covered under the warranty to this appliance.



WHEN NOT USING YOUR DRYER

- Grasp the plug firmly when disconnecting this appliance to avoid damage to the cord while pulling. Place the cord away from traffic areas so it will not be stepped on, tripped over or subjected to damage.
- Do not attempt to repair or replace any part of this appliance or attempt any servicing unless specifically recommended in this Owner's Manual or in published user-repair instructions that you understand and have the skills to carry out.
- Before discarding a dryer, or removing it from service, remove the dryer door to prevent children from hiding inside.
- Do not tamper with controls.



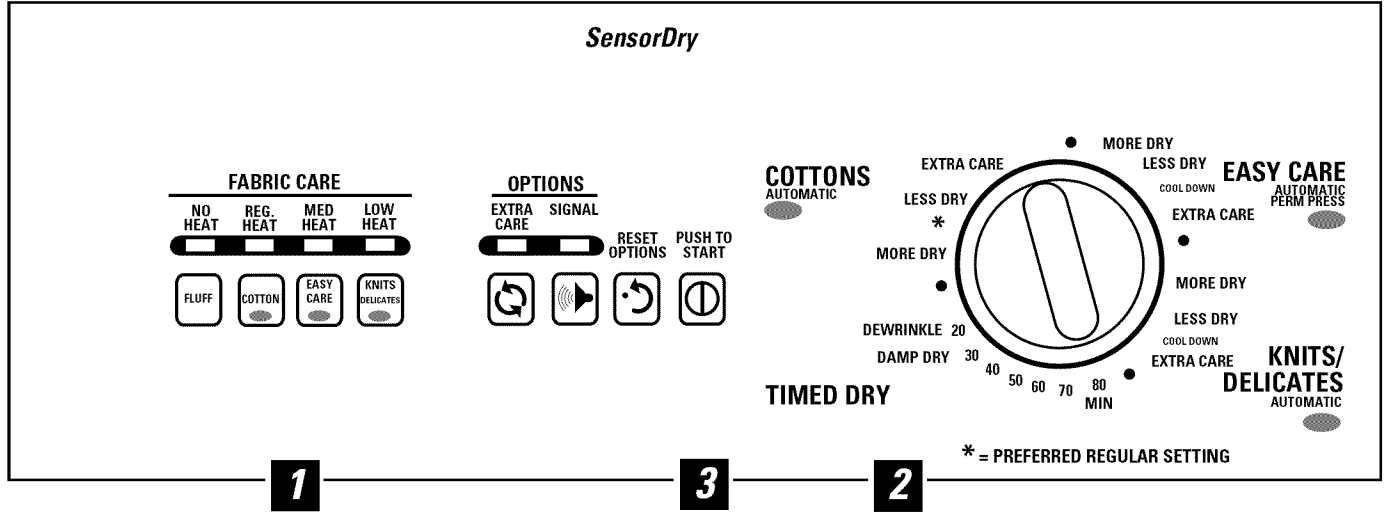
Read and follow this Safety Information carefully.

SAVE THESE INSTRUCTIONS

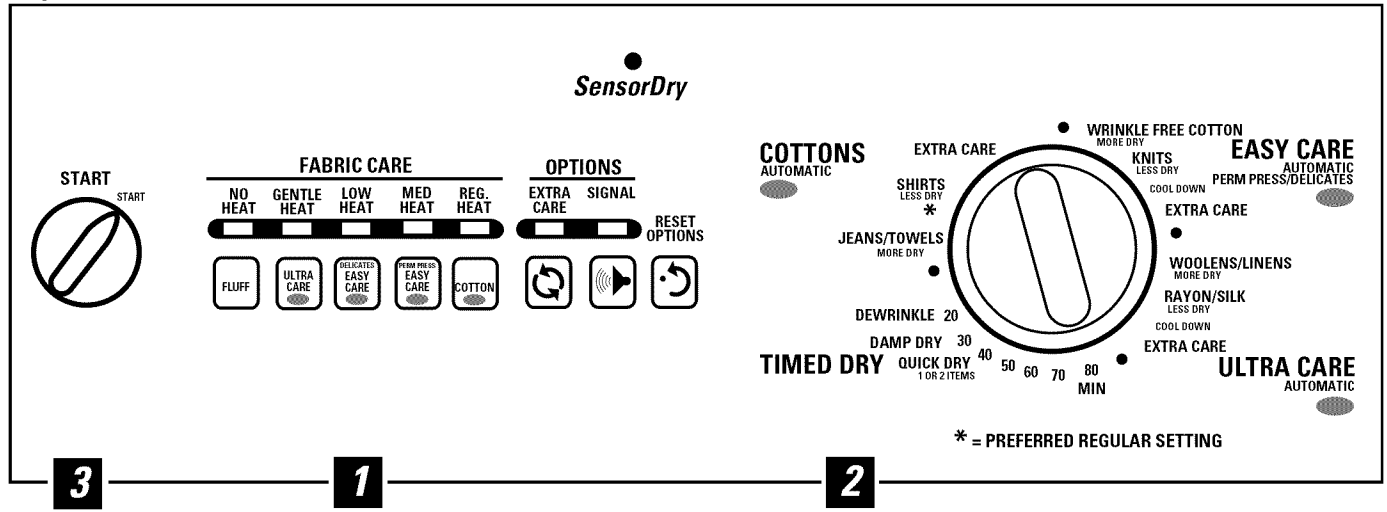
About the dryer control panel.

You can locate your model number on the label on the front of the dryer behind the door. Throughout this manual, features and appearance may vary from your model.

Type 495



Type 505



NOTE:

Drying times will vary according to the type of heat used (Electric, Natural or LP gas), size of load, types of fabrics, wetness of clothes and condition of exhaust ducts.



Control Settings

IMPORTANT: Clean the lint filter each time you use the dryer.

1 Fabric Care

**COTTONS
REG. HEAT** For regular to heavy cottons.

**EASY CARE
MED HEAT** For synthetics, blends, delicates and items labeled *permanent press*.

**FLUFF
NO HEAT** For *fluffing* items without heat. Use the **TIMED DRY** cycle.

**EASY CARE
DELICATES
LOW HEAT** For delicates, synthetics and items labeled *tumble dry low*.

**ULTRA CARE
GENTLE HEAT** For lingerie and special care fabrics.

**KNITS
DELICATES
LOW HEAT** For knits, delicates and items labeled *tumble dry low*.

2 Drying Cycles—Automatic cycles automatically sense fabric dryness. Select **MORE DRY** for heavier fabrics, **LESS DRY** for lighter fabrics. Timed cycles run for the selected time.

**COTTONS
AUTOMATIC** For cottons and most towels. For most loads select the Preferred Regular Setting marked with an *.

**EASY CARE
AUTOMATIC
PERM PRESS/
DELICATES** For synthetic blends and delicates.

**KNITS/
DELICATES
AUTOMATIC** For knits and delicates.

ULTRA CARE For special care fabrics such as rayons, woolens and silks.

TIMED DRY Set the Cycle Selector at the desired drying time.

QUICK DRY For one or two items.

DAMP DRY For leaving items partially dry.

DEWRINKLE For removing wrinkles from items that are clean and dry or that are very lightly damp.

3 Start—Close the dryer door. Select **START**. Opening the door during operation will stop the dryer. To restart the dryer, close the door and select **START** to complete the cycle.

Color Logic

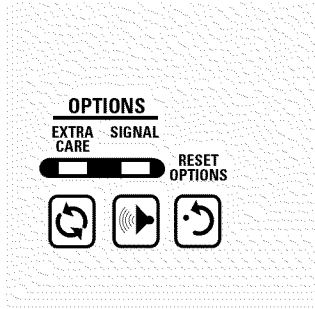
Select the correct **FABRIC CARE** setting. Match the particular color below the words with the same color on the Cycle Dial.

Example: Drying a load of clothing labeled *permanent press*.

1 Choose the **FABRIC CARE** setting—for this load it would be the **EASY CARE MED HEAT** (which is a particular color).

2 Turn the Cycle Dial to the area that has the same color as the **FABRIC CARE** setting you have chosen—for this load it would be the **EASY CARE PERM PRESS**.

About your dryer features.



Extra Care

Use this option to minimize the wrinkles in clothes. It provides approximately 15 minutes of no-heat tumbling after the clothes are dry.

This option can only be used with Automatic cycles. If you are using the **CYCLE SIGNAL** and you select the **EXTRA CARE** option, a signal will sound at the end of drying time and several times during the **EXTRA CARE** cycle. This will remind you that it is time to remove the clothes.

Cycle Signal

This signal will sound just before the end of the cycle to remind you to remove the clothes. The signal sound level can be adjusted.

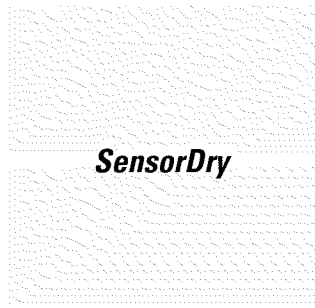
If you selected the **EXTRA CARE** option the signal will sound at the end of the drying time and will sound several times during the **EXTRA CARE** cycle. This will remind you that it is time to remove the clothes.

NOTE:

- Remove garments promptly at the sound of the signal. Place clothes on hangers so wrinkles won't set in.
- Use the Cycle Signal especially when drying fabrics like polyester knits and permanent press. These fabrics should be removed so wrinkles won't set in.

Reset Options

Selecting **RESET OPTIONS** cancels all options that have been selected.



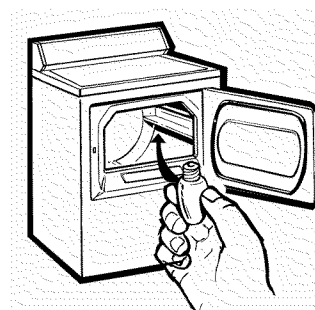
SensorDry

This feature is only activated in the automatic cycles.

As the clothes tumble they touch a large sensor. The **SensorDry** feature will stop the heating cycle as soon as the clothes have reached the selected dryness.

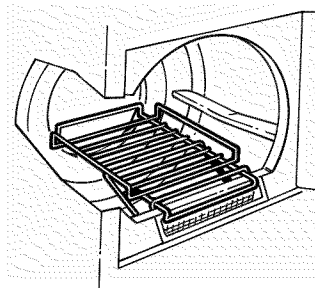
On some models there is a **SensorDry** indicator light. This light is illuminated during automatic cycles. When the **SensorDry** feature stops the heating cycle the light will go out and the cool down period will begin.

NOTE: The clothes will be hot if they are removed immediately after the indicator light goes out.



Drum Lamp

Before replacing the light bulb, be sure to unplug the dryer power cord or disconnect the dryer at the household distribution panel by removing the fuse or switching off the circuit breaker. Reach above dryer opening from inside the drum. Remove the bulb and replace with the same size bulb.



Drying Rack

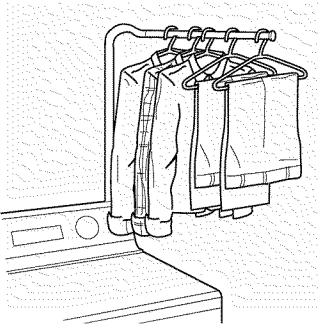
A handy drying rack may be used for drying articles such as stuffed toys, pillows or washable sweaters.

Hook the rack over the lint filter so the rack extends into the dryer drum.

NOTE:

- The drying rack must be used with the **TIMED CYCLE**.
- Do not use this drying rack when there are other clothes in the dryer.

About the drying center.



⚠ WARNING!

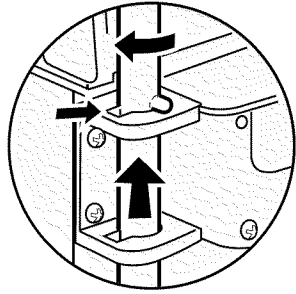
- Do not overload the Drying Center. It may be damaged if more than 20 lbs. are applied.
- Always store the Drying Center in a safe position so that it does not hit anyone.
- Do not allow children to play with the Drying Center.

The pole on the Drying Center can be set at different heights. Line up the tabs on the pole with the notch on the brackets (this will occur when the pole is parallel to the control panel) and raise or lower the pole, resting the tab on the bracket at the height you want.

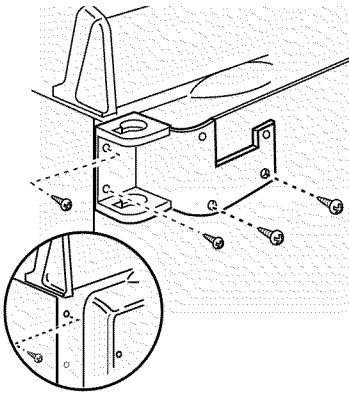
The Drying Center can be mounted on either side of the dryer.

To remove and transfer the Drying Center to the opposite side:

- 1** Remove the pole by raising it up. Make sure to line up the tabs on the pole with the notches on the bracket.



- 2** Remove the four screws that secure the bracket to the dryer. Three of the screws will be required to mount the bracket on the other side. The fourth screw at the top of the side panel flange (shown in circled illustration) needs to be put back into its original location.



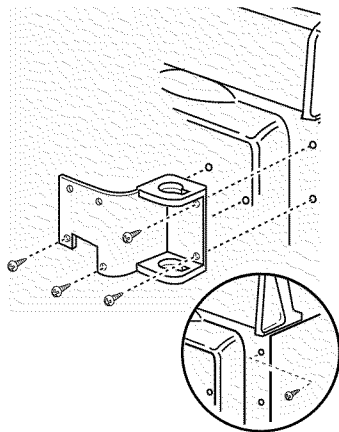
- 3** On the other side of the dryer remove the screw at the top of the side panel flange (shown in circled illustration).

- 4** Turn the bracket upside down and attach it with the screw you just removed and with the three screws that were removed from the other side.

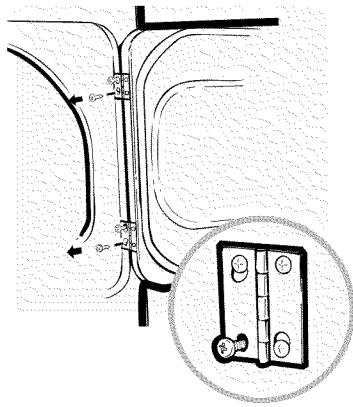
⚠ WARNING!

Make sure you use only these screws. Never use any long screws (must be less than 3/8") or pointed screws.

- 5** Insert the pole into the mounting bracket.



About reversing the door.

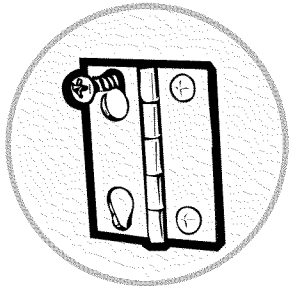


Reversing the Door

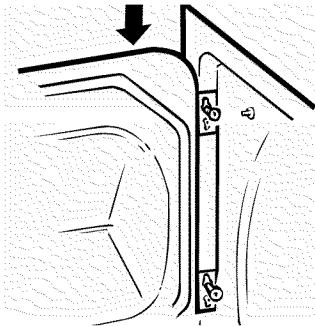
Tools needed:

- Standard #2 Phillips screwdriver
- Tape-tipped putty knife
- Needle-nosed pliers

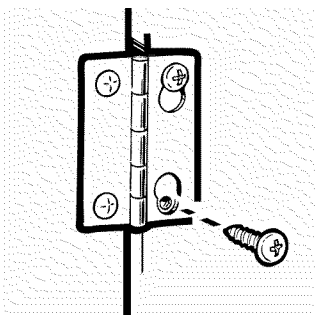
- 1 Open the door and remove the filler plugs opposite the hinges. With the door completely open, remove the bottom screw from each hinge on the dryer face. Insert these screws about half way into the **TOP** holes, for each hinge, on the opposite side (where you removed the filler plugs). Apply firm pressure to get the screw started in untapped holes.



- 2 Loosen top screw from each hinge on the dryer face half way. With one hand holding the top of the door and the other hand holding the bottom, remove the door from the dryer by lifting it **UP** and **OUT**.



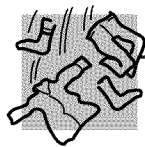
- 3 Rotate the door 180°. Insert it on the opposite side of the opening by moving the door **IN** and **DOWN** until the top hinge and the bottom hinge are resting on the top screws inserted in step 1.



- 4 Remove the remaining screws from the side of the opening from which the door was removed. With these screws secure each hinge at the bottom. Tighten the two top screws of each hinge. Reinsert the plastic plugs on the side from which the door was removed.

Loading and using the dryer.

Always follow the fabric manufacturer's care label when laundering.



Sorting and Loading Hints

As a general rule, if clothes are sorted properly for the washer, they are sorted properly for the dryer.

Do not add fabric softener sheets once the load has become warm. They may cause fabric softener stains.

Do not overload. This wastes energy and causes wrinkling.

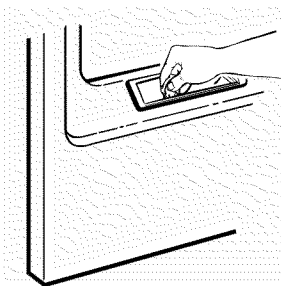
Do not dry the following items: fiberglass items, woolens, rubber-coated items, plastics, items with plastic trim and foam-filled items.



Care and Cleaning of the Dryer

The Exterior: Wipe or dust any spills or washing compounds with a damp cloth. Dryer control panel and finishes may be damaged by some laundry pretreatment soil and stain remover products. Apply these products away from the dryer. The fabric may then be washed and dried normally. Damage to your dryer caused by these products is not covered by your warranty.

The Lint Filter: Clean the lint filter before each use. Moisten your fingers and reach into the filter opening. Run your fingers across the filter. Have a qualified technician vacuum the lint from the dryer once a year.

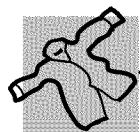


The Exhaust Duct: Inspect and clean the exhaust ducting at least once a year to prevent clogging. A partially clogged exhaust can lengthen the drying time.

Follow these steps:

- 1 Turn off electrical supply by disconnecting the plug from the wall socket.
- 2 Disconnect the duct from the dryer.
- 3 Vacuum the duct with the hose attachment and reconnect the duct.

The Exhaust Hood: Check with a mirror that the inside flaps of the hood move freely when operating. Make sure that there is not wildlife (birds, insects, etc.) nesting inside the duct or hood.



Fabric Care Labels

Below are fabric care label "symbols" that affect the clothing you will be laundering.

WASH LABELS

Machine wash cycle						
Water temperature						
	Hot (50°C/120°F)		Warm (40°C/105°F)		Cold/cool (30°C/85°F)	

BLEACH LABELS

Bleach symbols			
	Any bleach (when needed)	Only non-chlorine bleach (when needed)	Do not bleach

DRY LABELS

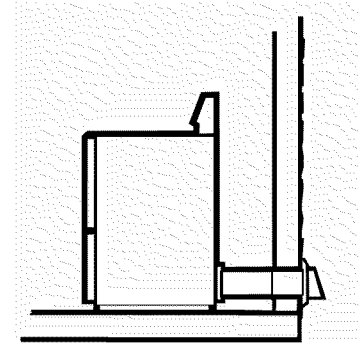
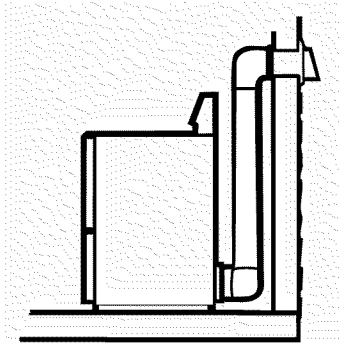
Tumble dry						
Heat setting						
Special instructions						

Venting the Dryer

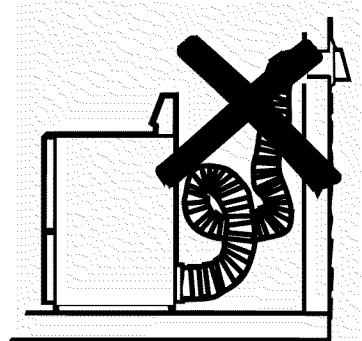
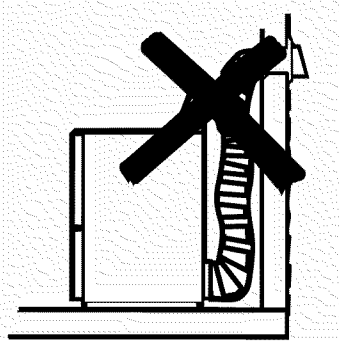
For the best drying performance the dryer needs to be properly vented. **The dryer will use more energy and run longer if it is not vented to the below specifications. Carefully follow the details on Exhausting in the Installation Instructions.**

- Use only rigid metal or flexible metal 4" diameter ductwork inside the dryer cabinet or for exhausting to the outside.
- Do not use plastic or other combustible ductwork.
- Use the shortest length possible.
- Do not crush or collapse.
- Avoid resting the duct on sharp objects.
- **Venting must conform to local building codes.**

Correct Venting



Incorrect Venting



Before you call for service...



Troubleshooting Tips
Save time and money! Review the charts on the following pages first and you may not need to call for service.

Problem	Possible Causes	What To Do
Dryer doesn't start	Dryer is unplugged	• Make sure the dryer plug is pushed completely into the outlet.
	Fuse is blown/circuit breaker is tripped	• Check the house fuse/circuit breaker box and replace fuse or reset breaker. NOTE: Most electric dryers use two fuses/breakers.
Dryer doesn't heat	Fuse is blown/circuit breaker is tripped, the dryer may tumble but not heat	• Check the house fuse/circuit breaker box and replace fuse or reset breaker.
	Gas service is off	• Make sure gas shutoff at dryer and main shutoff are fully open.
Dryer shakes or makes noise	Some shaking/noise is normal. Dryer may be sitting unevenly	• Move dryer to an even floor space, or adjust leveling legs as necessary until even.
Greasy spots on clothes	Improper use of fabric softener	• Follow directions on fabric softener package.
	Drying dirty items with clean ones	• Use your dryer to dry only clean items. Dirty items can stain clean items and the dryer.
	Clothes were not completely clean	• Sometimes stains which cannot be seen when the clothes are wet <i>appear</i> after drying. Use proper washing procedures before drying.
Lint on clothes	Lint filter is full	• Clean lint screen before each load.
	Improper sorting	• Sort lint producers (like chenille) from lint collectors (like corduroy).
	Static electricity can attract lint	• See suggestions in this section under STATIC .
	Overloading	• Separate large loads into smaller ones.
	Paper, tissue, etc., left in pockets	• Empty all pockets before laundering clothes.
Static occurs	Overdrying	• Try a fabric softener. • Adjust controls for less drying.
	No fabric softener was used	• Try a fabric softener.
	Synthetics, permanent press and blends can cause static	• Try a fabric softener.
Inconsistent drying times	Type of heat	• Automatic drying times will vary according to the type of heat used (electric, natural or LP gas), size of load, types of fabrics, wetness of clothes and condition of exhaust ducts.

Before you call for service...

Problem	Possible Causes	What To Do
Clothes take too long to dry	Improper sorting	<ul style="list-style-type: none"> • Separate heavy items from lightweight items (generally, a well-sorted washer load is a well-sorted dryer load).
	Large loads of heavy fabrics (like beach towels)	<ul style="list-style-type: none"> • Large, heavy fabrics contain more moisture and take longer to dry. Separate large, heavy fabrics into smaller loads to speed drying time.
	Controls improperly set	<ul style="list-style-type: none"> • Match control settings to the load you are drying.
	Lint filter is full	<ul style="list-style-type: none"> • Clean lint filter before every load.
	Improper or obstructed ducting	<ul style="list-style-type: none"> • Check installation instructions for proper ducting/venting. • Make sure ducting is clean, free of kinks and unobstructed. • Check to see if outside wall damper operates easily. • Check the Installation Instructions to make sure the dryer venting is correct.
	Blown fuses or tripped circuit breaker	<ul style="list-style-type: none"> • Replace fuses or reset circuit breakers. Since most dryers use 2 fuses/breakers, make sure both are operating.
	Overloading/combining loads	<ul style="list-style-type: none"> • Do not put more than one washer load in the dryer at a time.
Clothes are wrinkled	Underloading	<ul style="list-style-type: none"> • If you are drying only one or two items, add a few items to ensure proper tumbling.
	Overdrying	<ul style="list-style-type: none"> • Select a shorter drying time. • Remove items while they still hold a slight amount of moisture.
	Letting items sit in dryer after cycle ends	<ul style="list-style-type: none"> • Remove items when cycle ends and fold or hang immediately.
Clothes shrink	Some fabrics will naturally shrink when washed. Others can be safely washed, but will shrink in the dryer	<ul style="list-style-type: none"> • To avoid shrinkage, follow garment care labels exactly. • Some items may be pressed back into shape after drying. • If you are concerned about shrinkage in a particular item, do not machine wash or tumble dry it.

GE Dryer Warranty *(For customers in the United States)*



All warranty service provided by our Factory Service Centers, or an authorized Customer Care® technician. For service, call 800-GE-CARES.

This warranty is valid only in the United States. Warranty may vary in Canada. See your approved Profile dealer for details.

For The Period Of: **GE Will Replace, At No Charge To You:**

One Year

From the date of the original purchase

Any part of the dryer which fails due to a defect in materials or workmanship. During this **full one-year warranty**, GE will also provide, **free of charge**, all labor and in-home service to replace the defective part.

Five Years

From the date of the original purchase

Any extra large or super capacity dryer drum which fails due to a defect in materials or workmanship. During this **five-year limited warranty**, you will be responsible for any labor or in-home service costs.

What GE Will Not Cover:

- Service trips to your home to teach you how to use the product.
- Improper installation.
- Failure of the product if it is abused, misused, or used for other than the intended purpose or used commercially.
- Replacement of house fuses or resetting of circuit breakers.
- Damage to the product caused by accident, fire, floods or acts of God.
- Incidental or consequential damage to personal property caused by possible defects with this appliance.

This warranty is extended to the original purchaser and any succeeding owner for products purchased for home use within the USA. In Alaska, the warranty excludes the cost of shipping or service calls to your home.

Some states do not allow the exclusion or limitation of incidental or consequential damages. This warranty gives you specific legal rights, and you may also have other rights which vary from state to state. To know what your legal rights are, consult your local or state consumer affairs office or your state's Attorney General.

Warrantor: General Electric Company, Louisville, KY 40225

Directives de fonctionnement

Tableaux de commande	20
Autres caractéristiques	21-22
Centre de séchage	23
Inversion de l'ouverture de la porte	24
Utilisation de la sècheuse	25
Évacuation de la sècheuse	26

Conseils de dépannage

Avant d'appeler un réparateur	27, 28
-------------------------------	--------

Service à la clientèle

Garantie	29
Numéros de service	30

Félicitations!**Désormais vous faites partie de la famille GE.**

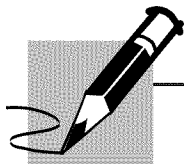
Bienvenue dans la famille GE. Nous sommes fiers de la qualité de nos produits et de la fiabilité de notre service après-vente. Vous le constaterez dans le présent manuel, facile à utiliser, et dans la voix amicale de notre personnel du service à la clientèle.

Mais, surtout, vous le constaterez chaque fois que vous ferez votre lessive. C'est important, car votre nouvelle laveuse fera partie de votre famille pendant des années. Et nous espérons que vous ferez partie de la nôtre pendant longtemps aussi.

Nous vous remercions de votre achat GE, et espérons qu'à l'avenir vous penserez à nous chaque fois que vous aurez besoin d'un électroménager de qualité.

Un partenariat de service.**IMPORTANT!****Agrafez ici votre facture ou une copie de votre chèque.**

Pour bénéficier de réparations sous garantie, il faut fournir une preuve de la date d'achat d'origine.

**À CONSERVER SOIGNEUSEMENT****Transcrivez les numéros de modèle et de série ici.**

N°

N°

Vous les trouverez derrière le tableau de commande.

**LISEZ VOTRE MANUEL**

Vous y trouverez de nombreux conseils pour l'utilisation et l'entretien de votre laveuse. Ces quelques mesures préventives vous permettront d'économiser du temps et de l'argent, et, ainsi, de prolonger la vie de votre laveuse.

Vous trouverez des solutions aux problèmes courants que vous pourriez rencontrer dans la section *Avant d'appeler un réparateur*. Et, en consultant d'abord nos *Conseils de dépannage*, vous pourrez peut-être éviter de faire appel à un réparateur.

**ÉVACUATION CORRECTE**

Pour un meilleur rendement, la sècheuse doit être correctement évacuée. La sècheuse usera plus d'énergie et fonctionnera pendant plus longtemps si elle n'est pas évacuée suivant les consignes données dans la section *Évacuation de la sècheuse* et dans la section *Évacuation* dans les Directives d'installation.

**SI VOUS AVEZ BESOIN DE SERVICE**

Si vous avez besoin de service, vous savez que vous n'avez qu'à nous téléphoner. Vous trouverez à la fin du présent manuel les numéros sans frais du service à la clientèle. **Aux États-Unis**, vous pouvez appeler 24 heures par jour, 7 jours par semaine au GE Answer Center®, 800.626.2000. **Au Canada**, appelez le 1-800-361-3400.

MESURES DE SÉCURITÉ IMPORTANTES. LISEZ D'ABORD TOUTES LES DIRECTIVES.

▲ MISE EN GARDE!

Pour votre sécurité, suivez les directives fournies dans le présent manuel afin de minimiser les risques d'incendie, d'explosion et de chocs électriques et prévenir des dégâts matériels et des blessures graves or mortelles.

■ **N'entreposez pas ou n'utilisez pas d'essence ou autres vapeurs ou liquides inflammables à proximité de cet appareil ou de tout autre électroménager.**

■ **L'installation et les réparations doivent être effectuées par un installateur qualifié, une entreprise de réparation ou votre fournisseur de gaz.**

SI VOUS REMARQUEZ UNE ODEUR DE GAZ :

1 Ne faites fonctionner aucun appareil électrique.

2 N'actionnez aucun interrupteur; n'utilisez aucun téléphone dans votre édifice.

3 Évacuez la pièce, l'édifice ou les environs.

4 Appelez immédiatement votre fournisseur de gaz en utilisant le téléphone d'un voisin. Suivez les directives qu'il vous donnera.

5 Si vous ne pouvez joindre votre fournisseur de gaz, appelez les pompiers.

Loi sur les produits toxiques et l'eau potable de la Californie

En vertu de cette loi, le Gouverneur de la Californie est tenu de publier une liste des substances reconnues par l'État comme pouvant causer le cancer, des malformations congénitales ou autres problèmes du genre et d'obliger les entreprises à avertir leurs clients de toute exposition potentielle à de telles substances.

Les électroménagers à gaz peuvent entraîner une exposition mineure à quatre de ces substances, en l'occurrence le benzène, le monoxyde de carbone, le formaldéhyde ou la suie, attribuables principalement à la combustion incomplète du gaz naturel ou du gaz de pétrole liquéfié.

Une sècheuse bien réglée réduit au minimum les risques de combustion incomplète. Pour réduire au minimum l'exposition à ces substances, faites évacuer l'air de la sècheuse à l'extérieur.



UNE INSTALLATION ADÉQUATE

Avant d'utiliser votre sècheuse, assurez-vous qu'elle a été adéquatement installée, conformément aux Directives d'installation. Si vous n'avez pas reçu de Directives d'installation avec votre sècheuse, appelez sans frais aux États-Unis au Centre de réponse GE au 1-800-626-2000. Au Canada appelez sans frais au 1-800-361-3400.

■ Mettez l'appareil à la terre conformément à tous les codes et règlements en vigueur. Suivez les Directives d'installation.

■ Installez ou entreposez l'appareil dans une pièce où la température est supérieure à 0 °C. et où elle sera à l'abri des intempéries.

■ Branchez l'appareil sur un circuit protégé et de capacité appropriée afin d'éviter toute surcharge électrique.

■ Retirez tous les articles tranchants d'emballage et jetez tous les matériaux de transport.

Conduit d'évacuation :

1 L'air des sècheuses à gaz **DOIT** être évacué à l'extérieur.

2 Il est **fortement recommandé** d'évacuer l'air des sècheuses électriques à l'extérieur afin d'éviter l'accumulation d'une grande quantité d'humidité et de charpie dans la pièce. Suivez les consignes données pour l'évacuation dans les Directives d'installation.

3 N'utilisez qu'un conduit métallique rigide ou souple de 4 po de diamètre à l'intérieur de la carrosserie de la sècheuse ou pour l'évacuation vers l'extérieur. **L'UTILISATION D'UN CONDUIT DE PLASTIQUE OU FABRIQUÉ AVEC TOUT AUTRE MATÉRIAU COMBUSTIBLE PEUT CAUSER UN INCENDIE. LORSQU'UN CONDUIT EST PERFORÉ OU DEVIENT OBSTRUÉ AU COURS DE L'UTILISATION OU DE L'INSTALLATION, IL PEUT CAUSER UN INCENDIE.**

Pour plus de détails, suivez les Directives d'installation.

IMPORTANT SAFETY INFORMATION. READ ALL INSTRUCTIONS BEFORE USING.

! MISE EN GARDE!



AUTOUR DE VOTRE LAVEUSE

- Ne laissez pas s'accumuler autour et au-dessous de vos électroménagers des matériaux combustibles, comme de la charpie, du papier, des chiffons, des produits chimiques, etc.
- Gardez le sol propre et sec à proximité de vos électroménagers afin de ne pas glisser.
- Il faut exercer une étroite surveillance lorsque vous faites fonctionner cet appareil en présence d'enfants. Ne les laissez pas jouer avec l'appareil ni monter dessus, ou s'introduire à l'intérieur d'un vieil appareil qui ne sert plus.
- Gardez tous les produits pour la lessive (comme les détergents, la javel, etc.) en dehors de la portée des enfants, de préférence dans une armoire fermée à clé. Suivez toutes les mises en garde sur les étiquettes pour éviter des blessures.
- Ne montez jamais sur le dessus de la sècheuse.



LORSQUE VOUS UTILISEZ LA SÈCHEUSES

- Ne vous penchez jamais dans la sècheuse pendant que le tambour tourne. Avant de charger ou décharger la sècheuse ou d'y ajouter des vêtements, attendez que le tambour se soit complètement arrêté.
- Avant chaque séchage, nettoyez le filtre à charpie afin de prévenir l'accumulation de charpie à l'intérieur de la sècheuse ou dans la pièce. **NE FAITES PAS FONCTIONNER LA SÈCHEUSE SANS LE FILTRE À CHARPIE.**
- Il ne faut pas mettre dans la sècheuse, ou à proximité de celle-ci, tout article ayant été utilisé avec un solvant dégraissant ou contenant une substance inflammable (comme des chiffons de nettoyage, des vadrouilles, des serviettes utilisées dans les salons de coiffure, etc.), à moins qu'ils aient été débarrassés de toute trace et toute vapeur de substance inflammable. On utilise à la maison de nombreux produits inflammables : acétone, alcool dénaturé, essence, kérosène, nettoyants ménagers, détachants, térébenthine, cire, décapants, contenant du distillat de pétrole.
- Ne lavez pas ou ne faites pas sécher des articles qui ont été lavés avec des produits combustibles ou explosifs, ou qui ont été trempés dans ces produits ou qui en sont tachés (cire, peinture, huile, essence, dégraissants, solvants pour le nettoyage à sec, kérosène, etc.) car ils risquent de s'enflammer ou d'exploser. Ne versez pas ces substances dans l'eau de la laveuse. N'utilisez pas ces substances à proximité de votre laveuse ou de votre sècheuse pendant qu'elles fonctionnent.
- La lessive peut atténuer les propriétés ignifugeantes des tissus. Pour éviter cette situation, suivez à la lettre les directives données par le fabricant du vêtement.
- Ne faites pas sécher des articles contenant du caoutchouc, du plastique, de la mousse ou autres matériaux similaires (comme des soutiens-gorge préformés, des chaussures de tennis, des caoutchoucs, des tapis de bain, des carpettes, des bavoirs, des culottes de bébé, des sacs de plastique, des oreillers, etc.) car ces matériaux peuvent fondre ou brûler. De plus, dans certaines circonstances, certains matériaux de caoutchouc peuvent causer un incendie par combustion spontanée lorsqu'ils sont chauffés.
- Ne rangez pas des articles qui peuvent fondre ou brûler, comme du plastique, papier, ou des vêtements sur le dessus de la sècheuse pendant qu'elle fonctionne.
- Les vêtements portant la mention «Faire sécher loin de la chaleur» ou «Ne faites pas sécher par culbutage» (comme les gilets de sauvetage contenant du kapok) *ne doivent pas être séchés dans votre sècheuse.*
- Ne faites pas sécher d'articles en fibre de verre dans votre sècheuse. Les particules qui restent dans la sècheuse et qui pourraient être recueillies par les vêtements lors d'un séchage subséquent risquent de causer des irritations cutanées.
- Pour réduire les risques de chocs électriques, débranchez toujours l'appareil ou débranchez la sècheuse au panneau de distribution en enlevant le fusible ou déclenchant le disjoncteur avant de le réparer ou de le nettoyer (sauf pour enlever et nettoyer le filtre à charpie). **REMARQUE** : Le fait de placer le sélecteur de programme à une position **d'ARRÊT** ne coupe **PAS** l'alimentation électrique de l'appareil.

- Ne faites pas fonctionner l'appareil s'il est endommagé, défectueux, partiellement démonté, ou si des pièces sont manquantes ou défectueuses, ou si le cordon d'alimentation ou la fiche sont endommagés.
- L'intérieur de l'appareil et le raccord du conduit d'évacuation à l'intérieur de la sècheuse doivent être nettoyés une fois par an par une personne qualifiée. Voyez la section *Utiliser et charger la laveuse*.
- Si votre sècheuse fonctionne à gaz, elle est pourvue d'un système d'allumage électrique automatique et ne possède pas de veilleuse. **N'ESSAYEZ PAS DE L'ALLUMER AVEC UNE ALLUMETTE.** Vous risquez de vous brûler si vous approchez votre main du brûleur et que le dispositif d'allumage automatique s'allume.
- Il est possible que vous désiriez assouplir votre lessive ou réduire le collement électrostatique en utilisant un assouplissant textile dans votre sècheuse ou un produit antistatique. Nous vous recommandons d'utiliser un assouplissant liquide au cours du programme de lavage, conformément aux directives du fabricant de ce type de produit, ou de faire l'essai d'un assouplissant textile pour la sècheuse, pour lequel le fabricant certifie sur l'emballage que son produit peut être utilisé en toute sécurité dans la sècheuse. La responsabilité des problèmes de rendement ou de fonctionnement qui ne sont pas couverts par la garantie de cet appareil et sont attribuables à l'utilisation de ces produits relève du fabricant de ces produits.



LORSQUE LA SÈCHEUSES N'EST PAS UTILISÉE

- Lorsque vous débranchez l'appareil, tirez sur la fiche et non pas sur le cordon afin d'éviter d'endommager le cordon d'alimentation. Installez le cordon de sorte que personne ne marche ni trébuche dessus ou qu'il ne soit pas exposé à des dommages ou des contraintes
- Ne réparez ou ne remplacez aucune pièce de cet appareil, à moins que cela ne soit spécifiquement recommandé dans le présent manuel ou dans des directives de réparation que vous comprenez et que vous êtes en mesure de suivre.
- Avant de jeter ou d'entreposer une sècheuse, enlevez toujours la porte afin d'empêcher les enfants de se cacher à l'intérieur.
- Ne trafiquez pas les commandes de l'appareil.



Veillez lire et suivre attentivement ces mesures de sécurité.

CONSERVEZ CES DIRECTIVES

Les commandes de votre sècheuse.

Vous trouverez votre numéro de modèle sur l'étiquette à l'avant de la sècheuse derrière la porte.
Les caractéristiques et l'aspect de votre modèle peuvent varier de ceux présentés à travers ce manuel.

Type 495

SensorDry

FABRIC CARE

NO HEAT REG. HEAT MED HEAT LOW HEAT

FLUFF COTTON EASY CARE KNITS DELICATES

OPTIONS

EXTRA CARE SIGNAL RESET OPTIONS PUSH TO START

↺ 🔊 ↻ ⏻

COTTONS AUTOMATIC

EXTRA CARE LESS DRY * MORE DRY

DEWRINKLE 20 DAMP DRY 30 40 50 60 70 80 MIN

TIMED DRY

EASY CARE AUTOMATIC PERM PRESS

COOL DOWN EXTRA CARE MORE DRY

KNITS/DELICATES AUTOMATIC

* = PREFERRED REGULAR SETTING

1
3
2

Type 505

SensorDry

START

START

FABRIC CARE

NO HEAT GENTLE HEAT LOW HEAT MED HEAT REG. HEAT

FLUFF ULTRA CARE DELICATES EASY CARE PERM PRESS EASY CARE COTTON

OPTIONS

EXTRA CARE SIGNAL RESET OPTIONS

↺ 🔊 ↻

COTTONS AUTOMATIC

SHIRTS LESS DRY * EXTRA CARE WRINKLE FREE COTTON MORE DRY

JEANS/TOWELS MORE DRY DEWRINKLE 20 DAMP DRY 30 QUICK DRY 1 OR 2 ITEMS 40 50 60 70 80 MIN

TIMED DRY

EASY CARE AUTOMATIC PERM PRESS/DELICATES

COOL DOWN EXTRA CARE MORE DRY

WOOLENS/LINENS MORE DRY

RAYON/SILK LESS DRY

ULTRA CARE AUTOMATIC

* = PREFERRED REGULAR SETTING

3
1
2

REMARQUE : Les durées de séchage varient selon le type d'énergie utilisé (électricité, gaz naturel ou gaz de pétrole liquéfié), la grosseur de la brassée, le type de tissu, l'humidité des vêtements et l'état des conduits d'évacuation.



Réglage des commandes

IMPORTANT : Nettoyez le filtre à charpie chaque fois que vous utilisez la sècheuse.

1 Fabric Care (entretien des tissus)

COTTONS REG. HEAT (cotons temp. régulière)	Pour les cotons ordinaires ou lourds.
EASY CARE MED. HEAT (entretien facile temp. moyenne)	Pour les tissus synthétiques, les mélanges et les articles portant la mention «Sans repassage».
FLUFF NO HEAT (Duvetage/Sans chaleur)	Pour faire «aérer» les articles sans chaleur. Réglez un SÉCHAGE MINUTÉ .
EASY CARE DELICATES LOW HEAT (entretien facile délicats basse temp.)	Pour les tissus délicats, synthétiques et les articles portant la mention «Sécher par culbutage à basse température».
ULTRA CARE GENTLE HEAT (soins plus temp. douce)	Pour la lingerie et les tissus de soins spéciaux.
KNITS DELICATES LOW HEAT (tricots délicats temp. douce)	Pour tricots, délicats et articles portant la mention «Sécher par culbutage à basse température».

2 Programmes de séchage— Les programmes automatiques déterminent la sécheresse des tissus automatiquement. Choisissez **More Dry (plus sec)** pour les tissus plus lourds, et **Less Dry (moins sec)** pour les tissus plus légers. Les programmes de séchage minuté fonctionnent pour la durée choisie.

COTTONS AUTOMATIC (Cotons automatique)	Pour les cotons et la plupart des toiles. Pour la plupart des brassées, choisissez le Réglage régulier préféré marqué avec un *.
EASY CARE AUTOMATIC PERM PRESS/DELICATES (entretien facile sans repassage/délicats)	Pour les mélanges synthétiques et délicats.
KNITS/DELICATES AUTOMATIC (tricots et délicats automatique)	Pour tricots et tissus délicats.
ULTRA CARE (soins plus)	Pour des tissus à soins spéciaux comme la rayonne, les laines et la soie.
TIMED DRY (Séchage minuté)	Réglez le sélecteur de programme à la durée de séchage désirée.
QUICK DRY (séchage rapide)	Pour un ou deux articles.
DAMP DRY (Séchage partiel)	Pour que les articles soient légèrement humides, réglez le sélecteur de programme.
DEWRINKLE (Défroissage)	Pour faire disparaître les faux plis d'articles propres et secs ou légèrement humides, réglez le sélecteur de programme.

3 Mise en marche— Fermez la porte de la sècheuse. Actionnez le bouton **START** (mise en marche). Lorsque vous ouvrez la porte pendant qu'elle fonctionne, la sècheuse s'arrête. Pour la remettre en marche, fermez la porte et actionnez **START** (mise en marche) pour terminer le programme.

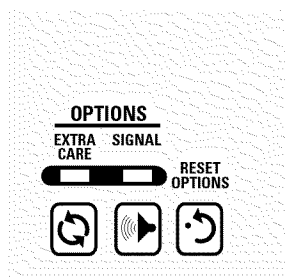
La logique des couleurs

Sélectionnez le programme de **FABRIC CARE (entretien des tissus)**. Faites correspondre la couleur en dessous des mots avec la même couleur sur le sélecteur de programme.

Par exemple : Sécher une brassée de vêtements marqués sans repassage.

- 1 Choisissez **FABRIC CARE (entretien des tissus)**—pour cette brassée cela devrait être **EASY CARE MED HEAT (entretien facile temp. moyenne)** (qui est d'une couleur particulière).
- 2 Tournez le sélecteur à l'endroit qui a la même couleur que le programme **FABRIC CARE** que vous avez choisi—pour cette brassée cela devrait être **EASY CARE PERM PRESS (entretien facile sans repassage)**.

Les caractéristiques de la sècheuse.



Extra Care (soins plus)

Utilisez ce programme pour réduire au minimum la formation de faux plis. Il procure un culbutage sans chaleur d'environ 15 minutes lorsque les vêtements sont secs.

Ce programme peut s'utiliser uniquement avec les programmes automatiques. Si vous utilisez **CYCLE SIGNAL (avertisseur)** et vous avez sélectionné **EXTRA CARE (soins plus)**, l'avertisseur se fera entendre à la fin du programme de séchage et se fera entendre plusieurs fois pendant le programme **EXTRA CARE (soins plus)**. Il vous rappelle qu'il est temps de retirer les vêtements.

Cycle Signal (avertisseur)

L'avertisseur sonnera juste avant la fin du programme pour vous rappeler de retirer les vêtements. Le niveau sonore peut se régler.

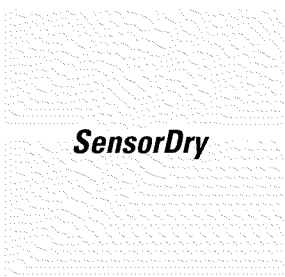
Si vous sélectionnez **EXTRA CARE (soins plus)**, l'avertisseur se fera entendre à la fin du programme de séchage et se fera entendre plusieurs fois pendant le programme **EXTRA CARE (soins plus)**. Il vous rappelle qu'il est temps de retirer les vêtements.

REMARQUE :

- **Sortez rapidement les vêtements au signal sonore. Suspendez-les sur des cintres afin d'éviter qu'ils se froissent.**
- **Utilisez l'avertisseur surtout lorsque vous séchez des tricots de polyester et des vêtements sans repassage. Retirez ces vêtements rapidement afin d'éviter les faux plis.**

Reset Options (reprogrammer)

Sélectionner **RESET OPTIONS (reprogrammer)** annule tous les programmes choisis.



SensorDry

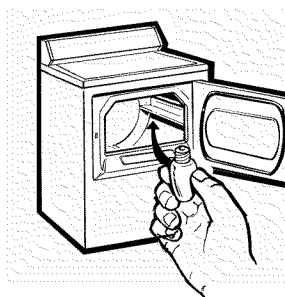
SensorDry (détecteur de sécheresse des vêtements)

Cette caractéristique fonctionne uniquement avec les programmes automatiques.

À mesure que les vêtements tournent ils touchent un grand détecteur. Le **SensorDry (détecteur de sécheresse des vêtements)** arrêtera le programme dès que les vêtements ont atteint la sécheresse sélectionnée.

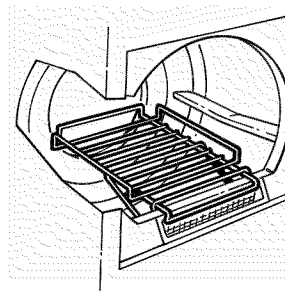
Sur certains modèles il y a une lumière qui indique le **SensorDry (détecteur de sécheresse des vêtements)**. Cette lumière s'allume pendant les programmes automatiques. Quand le **SensorDry (détecteur de sécheresse des vêtements)** arrête le séchage, la lumière s'éteint, et la période de refroidissement commencera.

REMARQUE : Les vêtements seront chaud si vous les sortez immédiatement après que la lumière s'éteint.



Lampe de tambour

Avant de remplacer l'ampoule, débranchez le cordon d'alimentation de la sècheuse ou débranchez la sècheuse au panneau de distribution en enlevant le fusible ou déclenchant le disjoncteur. À la partie supérieure de l'ouverture de chargement de la sècheuse, enlevez l'ampoule et remplacez-la par une ampoule de la même taille.



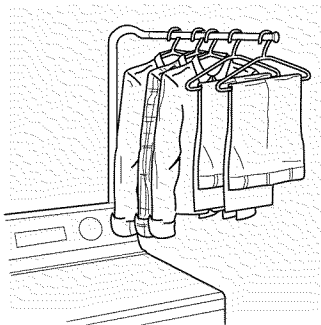
Grille de séchage

Une grille de séchage pratique vous permet de faire sécher des articles tels que les jouets en peluche, les oreillers ou les tricots lavables. Accrochez la grille sur le filtre à charpie de sorte qu'elle soit suspendue à l'intérieur du tambour de la sècheuse.

REMARQUE :

- La grille de séchage doit être utilisée avec un programme de **SÉCHAGE MINUTÉ**.
- Ne vous servez pas de la grille lorsqu'il y a d'autres vêtements à l'intérieur de la sècheuse.

Centre de séchage.



⚠ MISE EN GARDE!

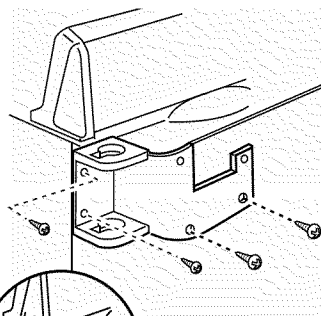
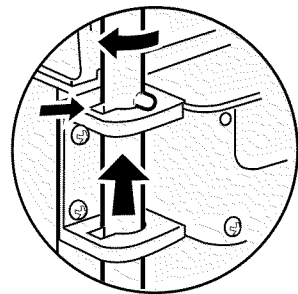
- Ne surchargez pas le Centre de séchage. Vous risquez de l'endommager si vous y déposez plus de 20 lb de linge.
- Rangez toujours le Centre de séchage dans une position sécuritaire afin que personne ne se cogne contre celui-ci.
- Ne laissez pas les enfants jouer avec le Centre de séchage.

La tringle du Centre de séchage peut être réglée à différentes hauteurs. Placez les languettes de la tringle vis-à-vis de l'encoche des supports (cela se passe quand la tringle est parallèle au tableau de contrôle) et abaissez ou relevez la tringle, en plaçant la languette sur le support correspondant à la hauteur voulue.

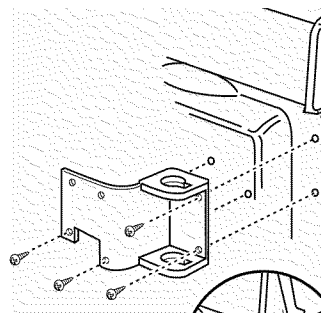
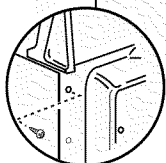
Le Centre de séchage peut être installé d'un côté ou de l'autre de la sècheuse.

Pour enlever et transférer le Centre de séchage du côté opposé :

- 1 Soulevez la tringle pour l'enlever. Assurez-vous de placer les languettes de la tringle vis-à-vis des encoches du support.



- 2 Enlevez les quatre vis qui retiennent le support sur la sècheuse. Trois de ces vis serviront à installer le support de l'autre côté. La quatrième vis de la partie supérieure du panneau latéral (montrée dans le cercle) doit être remise à sa place.



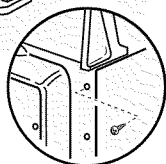
- 3 De l'autre côté de la sècheuse, enlevez la vis à la partie supérieure du panneau latéral (montrée dans le cercle).

- 4 Tournez le support à l'envers et fixez-le à l'aide de la vis que vous venez d'enlever et des trois vis qui ont été retirées de l'autre côté.

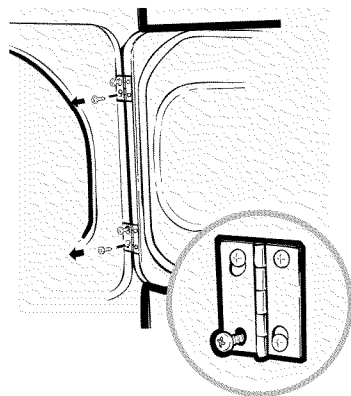
⚠ MISE EN GARDE!

Utiliser seulement les vis enlevées de la sècheuse. Ne jamais utiliser de vis longues (doivent avoir moins de 3/8 po de long) ou pointues.

- 5 Insérez la tringle dans le support de montage.



Inversion de l'ouverture de la porte



Inversion de l'ouverture de la porte

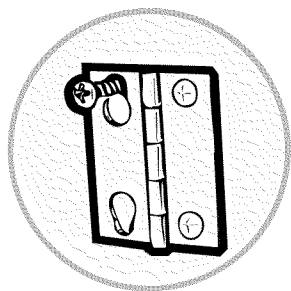
Outils nécessaires :

■ Tournevis Phillips
n° 2 standard

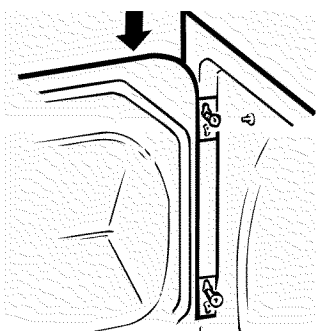
■ Couteau à mastic
(extrémité recouverte
de ruban gommé)

■ Pincettes à bec long

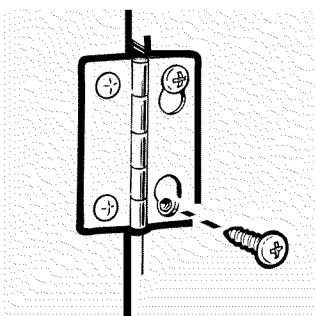
1 Ouvrez la porte et enlevez les capuchons qui se trouvent du côté opposé aux charnières. Ouvrez complètement la porte, puis enlevez la vis inférieure de chaque charnière sur le rebord de la sécheuse. Vissez ces vis à moitié dans les trous **SUPÉRIEURS**, pour chaque charnière, du côté opposé (où vous avez enlevé les capuchons). Appliquez une certaine pression pour que les vis commencent à tourner dans les trous non filetés.



2 Dévissez à moitié la vis supérieure de chaque charnière sur le rebord de la sécheuse. En tenant d'une main le haut de la porte et de l'autre le bas de la porte, enlevez la porte de la sécheuse en la **SOULEVANT**, puis en la **TIRANT**.



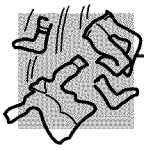
3 Tournez la porte de 180°. Installez-la du côté opposé de l'ouverture en **RENTRANT** et **ABAISSANT** la porte jusqu'à ce que les vis installées à l'étape 1 soient insérées dans la charnière supérieure et dans la charnière inférieure.



4 Enlevez les vis qui restent du côté où se trouvait la porte précédemment. Installez ces vis à la partie inférieure de chaque charnière. Serrez les deux vis à la partie supérieure de chaque charnière. Remettez les capuchons de plastique à l'endroit où se trouvait la porte précédemment.

Utiliser et charger la sècheuse.

Lors de la lessive, observez toujours les directives donnés sur l'étiquette d'entretien du vêtement.



Tri et conseils pour le chargement

En règle générale, lorsque les vêtements sont correctement triés pour le lavage, ils le sont aussi pour le séchage.

N'ajoutez pas votre feuille d'assouplissant textile lorsque la brassée a commencé à chauffer, car celle-ci risque de provoquer des taches d'assouplissant.

Ne surchargez pas la sècheuse car cela peut affecter la qualité du séchage et provoquer des faux plis. Les vêtements doivent culbuter librement.

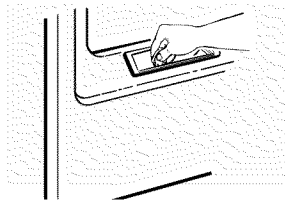
Ne faites pas sécher les articles suivants dans la sècheuse : articles en fibre de verre, lainages, articles recouverts de caoutchouc, plastiques, articles dotés d'une garniture en plastique, articles remplis de mousse de caoutchouc.



Entretien et nettoyage de la sècheuse

Extérieur : Essuyez les produits de lessive renversés. Enlevez la poussière avec un linge humide. Le fini et le tableau de commande de la sècheuse peuvent être endommagés par certains produits de traitement préliminaire et détachants. Appliquez ces produits loin de la sècheuse. Vous pouvez ensuite laver et faire sécher les vêtements normalement. Les dommages causés à votre sècheuse par ces produits ne sont pas couverts par votre garantie.

Filtre à charpie : Nettoyez le filtre à charpie avant chaque utilisation. Humectez vos doigts et mettez votre main dans l'ouverture du filtre. Faites que un réparateur qualifié aspire la charpie de la sècheuse une fois par an.



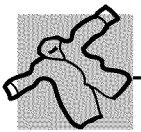
Conduit d'évacuation : Inspectez et nettoyez au moins une fois par année le conduit d'évacuation de la sècheuse afin d'éviter qu'il se bloque. Lorsque le conduit d'évacuation est partiellement obstrué, cela a pour effet d'allonger la durée de séchage.

Suivez ces étapes :

Pour nettoyer le conduit d'évacuation, procédez de la façon suivante :

- 1 Coupez l'alimentation électrique en débranchant le cordon d'alimentation de la prise murale.
- 2 Débranchez le conduit d'évacuation de la sècheuse.
- 3 Passez le tuyau de l'aspirateur dans le conduit d'évacuation, et rebranchez le conduit d'évacuation à la sècheuse.

Évent mural : Vérifiez avec un miroir que les volets à l'intérieur de l'évent bougent facilement quand la sècheuse fonctionne. Assurez-vous qu'il n'y a pas de nid (d'oiseaux, d'insectes, etc.) à l'intérieur du conduit d'évacuation ou de l'évent.



Étiquettes d'entretien des tissus

Les "symboles" ci-dessous se trouvent sur les étiquettes d'entretien et ont un effet sur le lavage de vos vêtements.

ÉTIQUETTES POUR LE LAVAGE

Programme de lavage						
Température de l'eau	●●●●● Chaude (50°C/120°F)		●●●●● Tiède (40°C/105°F)		●●●●● Froide/fraîche (30°C/85°F)	

ÉTIQUETTES POUR L'EAU DE JAVEL

Symboles d'eau de Javel			
	Toutes les eaux de Javel (si nécessaire)	Eaux de Javel sans chlore (si nécessaire)	Eau de Javel interdite

ÉTIQUETTES POUR LE SÉCHAGE

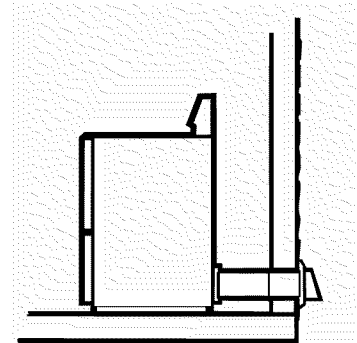
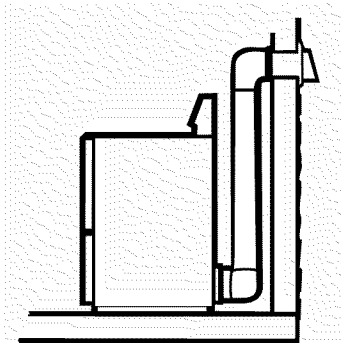
Séchage par culbutage						
Réglage de la chaleur	●●●●● Haute	●●●●● Moyenne	●●●●● Basse	●●●●● Sans chaleur/air		
Directives spéciales						
	Séchage sur corde/pendre pour sécher	Laisser égoutter	Séchage à plat	Séchage à l'ombre		

Évacuation de la sécheuse

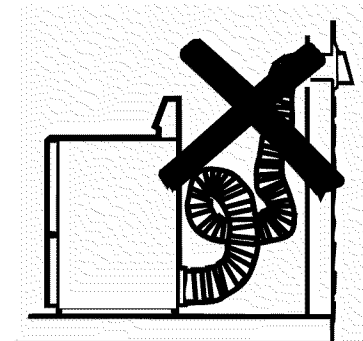
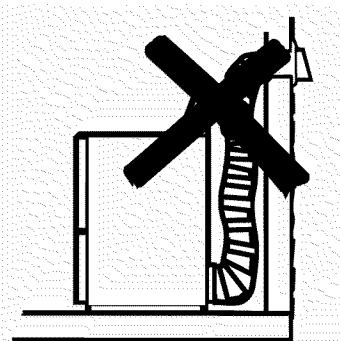
Pour un meilleur rendement de la sécheuse, l'air de la sécheuse doit être correctement évacué. **La sécheuse usera plus d'énergie et fonctionnera pendant plus longtemps si elle n'est pas évacuée selon les directives ci-dessous. Suivez les consignes données pour l'évacuation dans les Directives d'installation.**

- N'utilisez qu'un conduit d'évacuation de métal rigide ou flexible de 4 po de diamètre dans le cabinet de la sécheuse pour l'évacuation de l'air à l'extérieur.
- N'utilisez pas de conduit d'évacuation de plastique ou d'autre conduit d'évacuation combustible.
- Utilisez une longueur la plus courte que possible.
- N'écrasez pas ou ne pliez pas.
- Évitez de poser le conduit d'évacuation sur les objets tranchants.
- **L'évacuation doit être conforme à la réglementation locale en matière de construction.**

Évacuation
correcte



Évacuation
incorrecte



Avant d'appeler un réparateur...



Conseils de dépannage—Économisez du temps et de l'argent!
Consultez d'abord les tableaux qui suivent et vous pourrez peut-être éviter de faire appel à un réparateur.

Problème	Causes possibles	Correctifs
La sècheuse ne fonctionne pas	Sècheuse non branchée	<ul style="list-style-type: none"> Assurez-vous que le cordon d'alimentation est bien branché la dans la prise de courant.
	Fusible grillé/disjoncteur déclenché	<ul style="list-style-type: none"> Vérifiez les fusibles/disjoncteurs de la résidence. Remplacez le fusible ou réabckcegez le disjoncteur. <p>REMARQUE : La plupart des sècheuses électriques exigent deux disjoncteurs.</p>
La sècheuse ne chauffe pas	Fusible grillé/disjoncteur déclenché, la sècheuse tourne, mais ne chauffe pas	<ul style="list-style-type: none"> Vérifiz les fusibles/disjoncteurs de la résidence. Remplacez le fusible ou réenclenchez le jisjoncteur.
	Alimentation en gaz coupée	<ul style="list-style-type: none"> Assurez-vous que le robinet d'alimentation en gaz de la sècheuse et de la conduite de gaz sont ouverts.
La sècheuse est bruyante ou vibre	Un peu de vibration/bruit est normal. Elle ne repose pas solidement sur le plancher	<ul style="list-style-type: none"> Installez sur un plancher uniforme, ou faites en sorte qu'elle soit bien de niveau.
Taches de graisse sur les vêtements	Utilisation inadéquate d'assouplissant	<ul style="list-style-type: none"> Suivez les directives sur l'emballage de l'assouplissant.
	Séchage d'articles sales avec des articles propres	<ul style="list-style-type: none"> Ne faites sécher que des articles propres dans votre sècheuse. les articles sales peuvent tacher les articles propres et la sècheuse.
	Nettoyage insuffisant des vêtements	<ul style="list-style-type: none"> Quelquefois les taches qui sont invisibles lorsque les articles sont mouillés apparaissent après le séchage. Utilisez les procédés de lavage corrects avant de sécher.
Charpie sur les vêtements	Filtre à charpie plein	<ul style="list-style-type: none"> Nettoyez le filtre à charpie avant chaque utilisation.
	Tri incorrect	<ul style="list-style-type: none"> Séparez les tissus produisant de la charpie (comme la chenille) de ceux qui la recueillent (comme le velours côtelé).
	Charpie attirée par l'électricité statique	<ul style="list-style-type: none"> Voir les suggestions données ci-dessous à la section «ÉLECTRICITÉ STATIQUE».
	Surcharge	<ul style="list-style-type: none"> Divisez les grosses charges en brassées plus petites.
	Papier, papeir mouchoir, etc., oubliés dans les poches	<ul style="list-style-type: none"> Videz toutes les poches avant de laver les vêtements.
Électricité statique	Séchage excessif	<ul style="list-style-type: none"> Utilisez un produit assouplissant. Réglez une durée de séchage plus courte.
	Utilisation d'aucun produit assouplissant	<ul style="list-style-type: none"> Utilisez un produit assouplissant.
	Les mélanges, les tissus synthétiques et sans repassage peuvent causer de l'électricité statique	<ul style="list-style-type: none"> Utilisez un produit assouplissant.
Durées de séchage irrégulières	Type de chaleur	<ul style="list-style-type: none"> Les durées de séchage automatiques varieront selon le type d'énergie utilisé (électrique, gaz naturel ou gaz de pétrole liquéfié) la grosseur de la brassée, le type de tissu, l'humidité des vêtements et l'état des conduits d'évacuation.

Avant d'appeler un réparateur...

Problème	Causes possibles	Correctifs
Les vêtements prennent trop de temps à sécher	Tri incorrect	<ul style="list-style-type: none"> Séparez les articles lourds des articles légers (en général, lorsque la brassée est bien triée pour le lavage, elle l'est aussi pour le séchage).
	Grosses brassées d'articles lourds (comme des serviettes de plage)	<ul style="list-style-type: none"> Les gros articles lourds retiennent davantage d'humidité et prennent plus de temps à sécher. Faites sécher de plus petites brassées pour accélérer le séchage.
	Commandes mal réglées	<ul style="list-style-type: none"> Régalez les commandes en fonction de la brassée que vous faites sécher.
	Filtre à charpie plein	<ul style="list-style-type: none"> Nettoyez le filtre à charpie avant chaque utilisation.
	Conduit d'évacuation inadéquat ou obstrué	<ul style="list-style-type: none"> Vérifiez les Directives d'installation pour que le conduit d'évacuation soit adéquat. Assurez-vous que le conduit est propre, qu'il n'est pas pincé ni obstrué. Vérifiez si le volet de l'évent mural bouge librement. Voir la section Directives d'installation pour vous assurer que la sècheuse est correctement évacuée.
	Fusibles grillés ou disjoncteurs déclenchés	<ul style="list-style-type: none"> Remplacez les fusibles ou réenclenchez les disjoncteurs. Comme la plupart des sècheuses nécessitent deux fusibles/disjoncteurs, assurez-vous que les deux sont en bon état.
	Surcharge/brassées mélangées	<ul style="list-style-type: none"> Ne mettez qu'une brassée dans sècheuse à la fois.
Les vêtements sont froissés	Brassée trop petite	<ul style="list-style-type: none"> Lorsque vous ne faites sécher qu'un ou deux articles, ajoutez quelques articles pour assurer culbutage adéquat.
	Séchage excessif	<ul style="list-style-type: none"> Régalez une durée de séchage plus courte. Retirez les vêtements de la sècheuse lorsque'ils sont encore légèrement humides.
Les vêtements rétrécissent	Articles laissés dans la sècheuse après la fin du programme	<ul style="list-style-type: none"> Retirez les articles de la sècheuse lorsque le programme est terminé. Pliez-les ou suspendez-les immédiatement.
	Certains tissus rétrécissent au lavage. D'autres peuvent être lavés en toute sécurité mais rétrécissent au séchage	<ul style="list-style-type: none"> Pour éviter tout rétrécissement, suivez à lettre les directives sur l'étiquette d'entretien des vêtements. Certains articles peuvent retrouver leur forme d'origine après le séchage grâce à un pressage. Lorsque vous ne savez pas si un article rétrécit ou non, ne le lavez pas ou ne le faites pas sécher à la machine.

Garantie de votre sècheuse GE (Pour la clientèle au États Unis)



Toutes les réparations sous garantie seront effectuées par nos centres de réparation ou nos réparateurs autorisés. Appelez le 1-800-361-3400.

Cette garantie ne s'applique qu'aux États-Unis. La Garantie peut varier au Canada. Voyez votre marchand Profile approuvé pour les détails.

Pour une période de : GE remplacera gratuitement :

Un an À compter de la date d'achat d'origine	Toute pièce de la laveuse qui se révèle défectueuse en raison d'un vice de matières ou de fabrication. Pendant cette garantie complète d'un an , GE fournira également, gratuitement , tous les frais de main d'œuvre et de déplacement du réparateur à votre domicile pour remplacer la pièce défectueuse.
Cinq ans À compter de la date d'achat d'origine	N'importe quel tambour de sècheuse très grand ou de grande capacité qui se révèle défectueux en raison d'un vice de matières ou de fabrication. Pendant cette garantie limitée de deux ans , vous devez assumer tous les frais de main d'œuvre et de déplacement du réparateur à votre domicile.

Ce que GE ne couvrira pas :

- Toute visite à votre domicile pour vous expliquer le fonctionnement de l'appareil.
- Une installation inadéquate.
- Toute défectuosité du produit lorsqu'il est utilisé de façon abusive, ou à des fins commerciales ou à toute autre fin que celle pour laquelle il a été conçu.
- Le remplacement des fusibles ou le réenclenchement des disjoncteurs du panneau de distribution.
- Tout dommage au produit attribuable à un accident, un incendie, une inondation ou un cas de force majeure.
- Les dommages accidentels ou inconséquents à la propriété personnelle qui sont imputables aux défauts éventuels de cet appareil.

Cette garantie est offerte à l'acheteur initial ainsi qu'à tout acheteur subséquent d'un produit acheté à des fins domestiques aux États-Unis. En Alaska, la garantie d'un an ne comprend pas les frais d'expédition du produit ou de déplacement du réparateur à votre domicile.

Dans certains états, il est interdit d'exclure ou de limiter les dommages directs ou indirects. Il est alors possible que les limitations ou exclusions ci-dessus ne s'appliquent pas dans votre cas. La présente garantie vous confère des droits juridiques spécifiques. Vous pouvez bénéficier d'autres droits qui varient d'un état à l'autre. Pour connaître les droits dont vous bénéficiez dans votre état, communiquez avec le bureau des Relations avec les consommateurs de votre région ou de votre état, ou avec le procureur général de votre état.

Garant: General Electric Company. Louisville, KY 40225

Numéros de service



GE Answer Center® Aux États-Unis : 800.626.2000

Notre service d'information est ouvert 24 heures par jour, 7 jours par semaine.

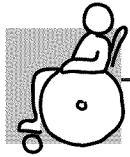
Au Canada, écrivez au Directeur, Relations avec les consommateurs, Camco Inc., 1, Factory Lane, Bureau 310, Moncton, N.B. E1C 9M3.



Réparations à domicile Aux États-Unis : 800-432-2737

Pour faire réparer votre électroménager GE, il suffit de nous téléphoner.

Au Canada, appelez le 1-800-361-3400.



Pour les besoins particuliers Aux États-Unis : 800.626.2000

Sur demande, GE peut fournir sans frais des commandes avec inscription en braille ou une brochure sur l'aménagement d'une cuisine pour les personnes à mobilité réduite. **Aux États-Unis**, appelez le 800-833-4322.

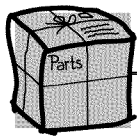
Au Canada, écrivez au Directeur, Relations avec les consommateurs, Camco Inc., 1, Factory Lane, Bureau 310, Moncton, N.B. E1C 9M3.



Contrats d'entretien Aux États-Unis : 800-626-2224

Achetez un contrat d'entretien GE avant que votre garantie n'expire et bénéficiez d'un rabais substantiel. Ainsi le service après-vente GE sera toujours là après expiration de la garantie.

Au Canada, appelez le 1-800-461-3636.



Pièces et accessoires Aux États-Unis : 800-626-2002

Ceux qui désirent réparer eux-mêmes leurs électroménagers peuvent recevoir pièces et accessoires directement à la maison (cartes VISA, MasterCard et Discover acceptées).

Les directives stipulées dans le présent manuel peuvent être effectuées par n'importe quel utilisateur. Les autres réparations doivent généralement être effectuées par un technicien qualifié. Soyez prudent, car une réparation inadéquate peut affecter le fonctionnement sécuritaire de l'appareil.

Au Canada, appelez le 1-800-461-3636.



Un service satisfaisant

Si vous n'êtes pas satisfait du service après-vente dont vous avez bénéficié :

Premièrement, communiquez avec les gens qui ont réparé votre appareil. **Ensuite**, si vous n'êtes toujours pas satisfait, **aux États-Unis**, envoyez tous les détails—numéro de téléphone compris—au Manager, Consumer Relations, GE Appliances, Appliance Park, Louisville, KY 40225; ou, **au Canada**, au Directeur, Relations avec les consommateurs, Camco Inc., 1, Factory Lane, Bureau 310, Moncton, N.B. E1C 9M3.

Enfin, si votre problème n'est toujours pas résolu, écrivez au : Major Appliance Consumer Action Program, 20 North Wacker Drive, Chicago, IL 60606 (États-Unis uniquement).

Mesures de sécurité

Fonctionnement

Conseils de dépannage

Service à la clientèle

Información de seguridad 33–35

Instrucciones de operación

Paneles de control 36, 37
 Características 38
 Centro de secado 39
 Voltar la puerta 40
 Cargar y usar la secadora 41
 Ventilación de la secadora 42

Solucionar problemas

Antes de solicitar servicio . . . 43, 44

Servicio al consumidor

Garantía 45
 Números del servicio 46

¡Felicidades! Ahora usted es parte de la familia GE.

Bienvenido a la familia GE. Estamos orgullosos de la calidad de nuestros productos y creemos en el servicio confiable. Lo verá en este manual y lo escuchará en las voces de nuestro departamento de servicio al consumidor.

Lo mejor será que usted experimentará éstos valores cada vez que use su secadora. Eso es importante porque su lavadora será parte de su familia durante un largo tiempo. Y esperamos que usted será parte de nuestra familia por mucho tiempo.

Los agradecemos de comprar GE. Apreciamos su compra y esperamos que seguirá confiando en nosotros cuando necesite un aparato de calidad en su hogar.

Una Asociación de Servicio.



¡IMPORTANTE!

Engrane la factura de compra o el cheque cancelado aquí.

Se requiere prueba de la fecha de la compra original para obtener el servicio cubierto bajo la garantía.



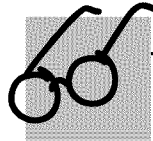
PARA GUARDAR COMO REFERENCIA

Anote aquí los números de modelo y de serie:

No. _____

No. _____

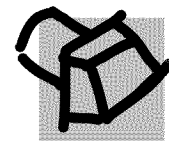
Localizados en el frente de la secadora detrás de la puerta.



LEA ESTE MANUAL

Este contiene instrucciones que le ayudará a usar y mantener de manera correcta su secadora. Un poco de cuidado preventivo le ayudará a ahorrar tiempo y dinero durante la vida de su secadora.

Encontrará en la sección de *Antes de solicitar un servicio* soluciones a los problemas más comunes. En revisar nuestra sección de *Solucionar problemas* primero, tal vez no necesitará de solicitar un servicio.



VENTILACION CORRECTA

Para el mejor rendimiento de secado, la secadora debe ventilarse correctamente. Para más información sobre una ventilación correcta, vea la sección *Ventilación de la secadora* en este manual y la sección *Tube de escape* en la Instrucciones de instalación.



SI NECESITA SERVICIO

Si requiere un servicio, puede sentirse relajado al saber que la ayuda está sólo a una llamada de distancia. Se incluye una lista de números gratuitos y de servicio a clientes en la contraportada de la sección en español. O llame **en los Estados Unidos** al GE Answer Center[®] al 800.626.2000, las 24 horas a del día, los 7 días de la semana.

INFORMACIONES IMPORTANTES DE SEGURIDAD. LEA PRIMERO TODA LAS INSTRUCCIONES.

⚠ ¡ADVERTENCIA!

Por su seguridad, la información contenida en este manual debe seguirse al pie de la letra para minimizar el riesgo de incendio o explosión, choque eléctrico o para evitar daños a la propiedad, lesiones personales o fallecimientos.

- **No almacene ni use gasolina ni otros vapores o líquidos inflamables cerca de éste o de cualquier otro aparato.**
- **La instalación y servicio deben ser realizados por un instalador calificado, una agencia de servicio o por su proveedor de gas.**

SI CREE QUE HUELE A GAS:

- 1 **No enciende un fósforo, un cigarrillo, o cualquier aparato a gas o eléctrico.**
- 2 **No toque ningún interruptor eléctrico; no use ningún teléfono en su edificio.**
- 3 **Saque de la habitación, edificio o área a todos los ocupantes.**
- 4 **De inmediato llame a su proveedor de gas desde el teléfono de algún vecino. Siga las instrucciones de su proveedor de gas.**
- 5 **Si no puede ponerse en contacto con su proveedor de gas, llame a los bomberos.**

Acta de Obligatoriedad del Estado de California sobre Agua Potable y Sustancias Tóxicas

Esta acta requiere que el gobernador de California publique una lista de sustancias de las que el estado tiene conocimiento como causantes de cáncer, defectos de nacimiento y otros daños reproductivos y requiere a los negocios que adviertan a los clientes sobre los riesgos de la exposición potencial a dichas sustancias.

Los aparatos que funcionan con gas pueden producir exposiciones poco importantes a cuatro de estas sustancias, que son benceno, monóxido de carbono, formaldehído y hollín, causados principalmente por la combustión incompleta de los combustibles de gas natural o de gas LP.

Las secadoras que están correctamente ajustadas minimizan la combustión incompleta. La exposición a estas sustancias puede disminuirse aún más si se ventilan adecuadamente las secadoras con salidas al exterior.



INSTALACION ADECUADA

Esta secadora debe instalarse de manera adecuada y colocarse de acuerdo con las Instrucciones de instalación antes de usarse. Si no recibe una hoja de Instrucciones de instalación, llame sin costo al GE Answer Center®, 800.626.2000.

- La secadora debe instalarse con una conexión a tierra adecuada que esté en conformidad con los códigos y ordenanzas vigentes. Siga los detalles en las Instrucciones de instalación.
- Instale o guarde la secadora donde no esté expuesta a temperaturas bajo cero o a la intemperie.
- Conecte a un circuito eléctrico correctamente medido, protegido y del calibre correcto para evitar una sobrecarga eléctrica.
- Quite todos los artículos de embalaje afilados y deshágase de todos los materiales de embalaje correctamente.

Tubo de escape:

- 1 Secadoras a gas **DEBEN** escapar al exterior.
- 2 *Se recomienda ampliamente* tener un tubo de escape al exterior para las secadoras eléctricas, para evitar grandes cantidades de humedad y de pelusa en el cuarto.
- 3 Use sólo tubo de metal rígido o flexible de 4" de diámetro dentro el gabinete de la secadora o como salida al exterior. **EL USO DE TUBOS DE PLASTICO O TUBOS COMBUSTIBLES DE OTRO TIPO PUEDE CAUSAR UN INCENDIO SI SE CAE O SI ESTA RESTRINGIDO DE ALGUNA MANERA DURANTE EL USO O LA INSTALACION.**

Siga las Instrucciones de instalación para detalles completos.

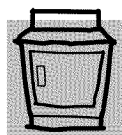
INFORMACIONES IMPORTANTES DE SEGURIDAD. LEA PRIMERO TODA LAS INSTRUCCIONES.

⚠ ¡ADVERTENCIA!



ALREDEDOR DE SU SECADORA

- Mantenga la área alrededor y debajo de sus aparatos libre de la acumulación de materiales combustibles tales como pelusa, papel, trapos, productos químicos, etcétera.
- Mantenga limpio y seco el suelo alrededor de sus aparatos para reducir de este modo la posibilidad de que alguien resbale.
- Es necesaria una supervisión muy estrecha si este aparato va a ser usado por niños o cerca de niños. No permita que los niños jueguen en el interior, sobre el aparato o con cualquier otro aparato.
- Mantenga todos los auxiliares de limpieza (como detergentes, blanqueadores, etc.) lejos del alcance de niños, de preferencia en un gabinete con llave. Observe todas las advertencias en las etiquetas de los recipientes para evitar lesiones.
- No se trape ni se pare encima de la secadora.



CUANDO USE SU SECADORA

- Nunca meta las manos en la secadora mientras el tambor se mueva. Antes de cargar, descargar o añadir ropa, espere hasta que el tambor se detiene por completo.
- Limpie el filtro de pelusa antes de cada carga para evitar la acumulación de pelusa en la secadora o en el cuarto. **NUNCA OPERE LA SECADORA SIN EL FILTRO DE PELUSA EN SU SITIO.**
- No lave ni seque artículos que se hayan limpiado, lavado en, remojado en o manchado con sustancias combustibles o explosivos (tales como cera, aceite, pintura, gasolina, desengrasantes, solventes para lavado en seco, queroseno, etcétera) que puedan incendiarse o estallar. No añada estas sustancias al agua de lavado. No use estas sustancias cerca de su lavadora y de su secadora durante la operación de cualquiera de éstas.
- Cualquier artículo en el que usted haya usado un solvente limpiador o que contenga materiales inflamables (tales como trapos de limpieza, jergas, toallas que se usan en salones de belleza, restaurantes o barberías, etcétera) no deben colocarse en o cerca de la secadora hasta que se hayan quitado todos los rastros de estos líquidos o sólidos inflamables y sus vapores. Hay una gran cantidad de artículos altamente inflamables que se usan en los hogares. Por ejemplo: acetona, alcohol desnaturalizado, gasolina, queroseno, algunos limpiadores caseros, algunos removedores de manchas, aguarrás, ceras, removedores de cera y productos que contienen destilados de petróleo.
- El proceso de lavado reduce la capacidad de las telas a ser retardantes al fuego. Para evitar ese resultado, deben seguirse con gran cuidado las instrucciones impresas en la etiqueta del fabricante de la prenda.
- No seque artículos que contengan hule, plástico, espuma de caucho o materiales similares (por ejemplo, sostenes acojinados, tenis, zapatillas de hule, tapetes de baño, tapetes, baberos, calzones de hule para bebé, bolas de plástico, almohadas, etcétera) ya que estos materiales pueden derretirse o quemarse. También, algunos materiales de hule, cuando se calientan, bajo determinadas circunstancias pueden provocar un incendio por combustión espontánea.
- No guarde artículos que puedan quemarse o derretirse como ropas, papeles o plásticos sobre la secadora mientras ésta se encuentre en operación.
- Las prendas que estén marcadas con la etiqueta "Seque lejos de fuentes de calor" o "No seque en máquina" (como chalecos salvavidas que contengan Kapok) no deben meterse en su secadora.
- No seque en su secadora artículos de fibra de vidrio. Podría sufrir irritación de la piel como resultado de que hayan quedado partículas de fibra de vidrio que puedan haberse adherido a otras prendas durante el uso subsecuente de la secadora.
- Para minimizar la posibilidad de un choque eléctrico, desconecte este aparato del suministro eléctrico o desconecte la secadora al panel de distribución quitando el fusible o apagando el interruptor de circuitos antes de intentar llevar a cabo cualquiera actividad de mantenimiento o limpieza (excepto quitar y limpiar el filtro para pelusa). **NOTA:** Colocar la perilla de ciclo en **OFF (apagado)**, **NO** desconecta el aparato del suministro eléctrico.

- No ponga a funcionar este aparato si está dañado, si funciona mal, si está parcialmente desarmado o si tiene partes rotas o faltantes, incluyendo un cable o clavija en malas condiciones.
- El interior de la máquina y la conexión del tubo de escape a dentro de la secadora debe limpiarse al menos una vez la año por un instalador capacitado. Vea la sección *Cargar y usar la secadora*.
- Si la suya es una secadora de gas, estará equipada con un mecanismo de ignición eléctrica y no tiene una luz piloto. **NO INTENTE ENCENDERLA UTILIZANDO UN FOSFORO.** Puede sufrir quemaduras por colocar la mano cerca del quemador cuando se encienda la ignición automática.
- Tal vez quiera suavizar las telas que haya lavado o reducir la electricidad estática de las mismas usando un suavizante para telas que se aplique en la secadora o un acondicionador anti-estática. Le recomendamos que utilice ya sea un suavizante para telas en el ciclo de lavado, siguiendo las instrucciones del fabricante para ese tipo de producto, o que pruebe un producto que se añada durante el secado, en el que el fabricante asegura por escrito en la etiqueta del empaque de que su producto puede usarse sin riesgo en su secadora. Los problemas de servicio o de funcionamiento causados por el uso de estos productos son responsabilidad de los fabricantes de esos productos y no están cubiertos por la garantía de este aparato.



CUANDO NO USE SU SECADORA

- Cuando desconecte este aparato tire de la clavija y no del cable para evitar que se dañe el cable o la unión entre el cable y la clavija. Asegúrese de que el cable se localice en un sitio en donde no lo puedan pisar, tropezar con él o que no esté sujeto a daño o tensión.
- No repare ni reemplace ninguna parte de este aparato ni intente llevar a cabo ningún servicio a menos que esté recomendado de manera específica en este Manual del propietario o que esté publicado en instructivos de reparaciones hechas por el usuario que usted comprenda bien y que sea capaz de llevar a la práctica.
- Antes de deshacerse de una secadora o si ya no está en servicio, quite la puerta de la secadora para impedir a los niños de esconderse adentro.
- No manipule indebidamente los controles.



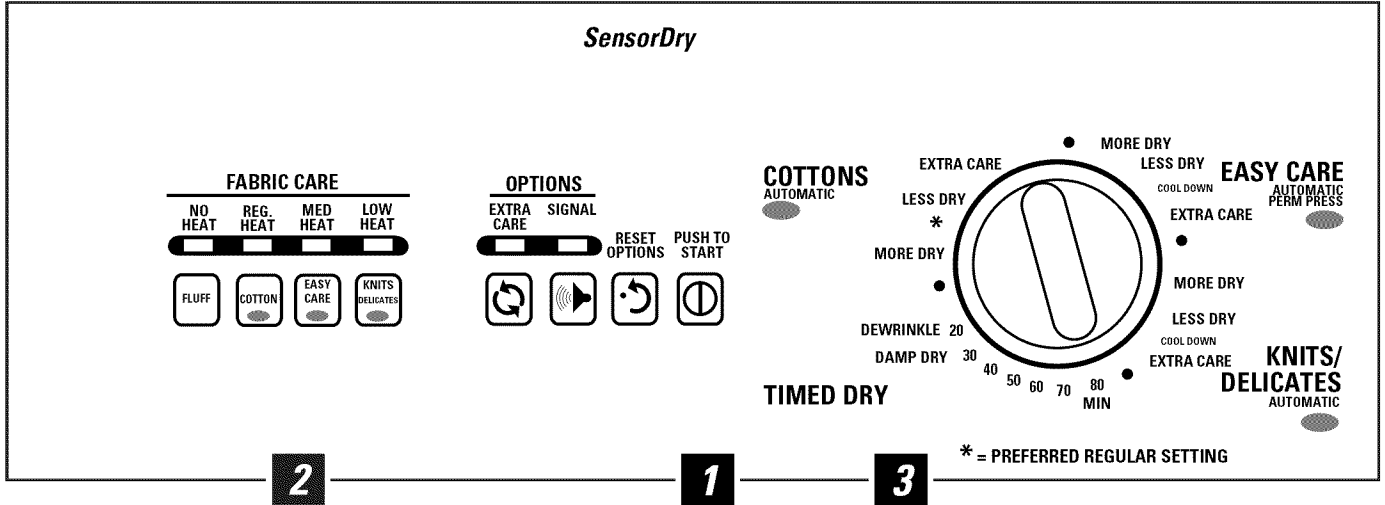
Favor de leer y seguir cuidadosamente las precauciones de seguridad.

GUARDE ESTAS INSTRUCCIONES

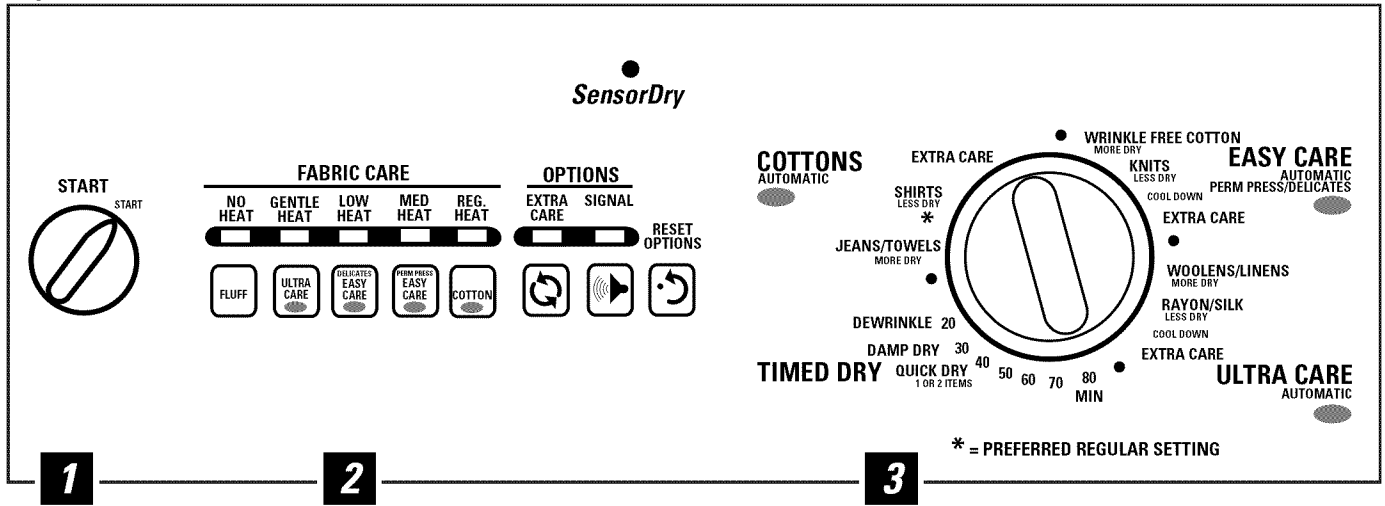
El panel de control de su secadora.

Puede localizar su número de modelo en la etiqueta en el frente de la secadora detrás de la puerta. Su modelo puede tener otras características y apariencia que las ilustradas por todas partes de este manual.

Tipo 495



Tipo 505



NOTA: Los tiempos de secado variarán de acuerdo al tipo de calor que se utilice (eléctrico, natural o de ga LP), el tamaño de la carga, los tipos de tela, la humedad de las prendas y la condición de los ductos de escape.



Ajustar los controles

IMPORTANTE: Limpie el filtro de pelusa cada vez que use la secadora.

1 Fabric Care (cuidado de telas)

**FLUFF (prendas rellenas)
NO HEAT (sin calor)** Para *prendas rellenas* sin calor. Use el ciclo de **TIMED DRY (secado por tiempo)**.

**COTTON (algodones)
REG. HEAT (calor regular)** Para algodones regulares o pesados.

**EASY CARE (cuidado fácil)
MED HEAT (calor medio)** Para sintéticos, mezclas, prendas delicadas y artículos marcados *planchado permanente*.

**EASY CARE (cuidado fácil)
DELICATES (prendas delicadas)
LOW HEAT (calor bajo)** Para prendas delicadas, sintéticos y artículos marcados *secar con calor bajo*.

**ULTRA CARE (cuidado ultra)
GENTLE HEAT (calor suave)** Para lencería y telas de cuidado especial.

**KNITS (tejidos)
DELICATES (prendas delicadas)
LOW HEAT (calor bajo)** Para tejidos, prendas delicadas y artículos marcados *secar con calor bajo*.

2 Ciclos de secado— Los ciclos automáticos sienten la sequedad de las telas. Seleccione **MORE DRY (más secado)** para telas más pesadas, **LESS DRY (menos secado)** para telas más ligeras. Los ciclos por tiempo funcionan durante el tiempo seleccionado.

**COTTONS (algodones)
AUTOMATIC (automático)** Para algodones y la mayoría de los linos. Para la mayoría de las cargas seleccione la Selección Regular Preferida marcada con un *.

**EASY CARE (cuidado fácil)
AUTOMATIC (automático)
PERM PRESS/ (planchado permanente)
DELICATES (prendas delicadas)** Para mezclas sintéticas y prendas delicadas.

**KNITS/ (tejidos)
DELICATES (prendas delicadas)
AUTOMATIC (automático)** Para tejidos y prendas delicadas.

ULTRA CARE (cuidado ultra) Para telas de cuidado especial como el rayón, lanas y sedas.

TIMED DRY (secado por tiempo) Ajuste la perilla de ciclo para el tiempo de secado deseado.

QUICK DRY (secado rápido) Para uno o dos artículos que se necesitan rápidamente.

DAMP DRY (secado húmedo) Para dejar los artículos parcialmente húmedos.

3 Start (inicio)— Cierre la puerta de la secadora. Seleccione **START (inicio)**. Abrir la puerta durante la operación detendrá la secadora. Para volver a iniciar la secadora, cierre la puerta y seleccione **START (inicio)** para completar el ciclo.

Lógica por colores

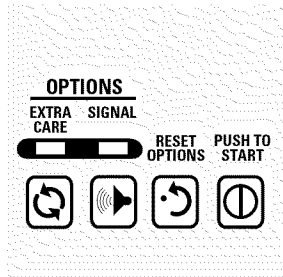
Seleccione el ajuste correcto de **FABRIC CARE (cuidado de telas)**. Patee el color particular bajo las palabras con el mismo color en el selector de ciclos.

Ejemplo: Secar una carga de ropas de *planchado permanente*.

1 Escoja el ajuste de **FABRIC CARE**—para esta carga, será **EASY CARE MED HEAT (cuidado fácil calor medio)** (que es de un color particular).

2 Gire el selector de ciclos al área que tiene el mismo color que el ajuste de **FABRIC CARE** que había escogido—para esta carga, será **EASY CARE PERMANENT PRESS (cuidado fácil planchado permanente)**.

Características de la secadora.



Extra Care (cuidado extra)

Use esta opción para minimizar las arrugas en las prendas. Esto proporciona aproximadamente 15 minutos de secado sin calor después de que las prendas estén secas.

Esta opción puede usarse solamente con los ciclos automáticos. Si está usando el Cycle Signal (señal de ciclo) y seleccionó la opción **EXTRA CARE (cuidado extra)**, una señal sonará al final del tiempo de secado y varias veces durante el ciclo **EXTRA CARE (cuidado extra)**. Esto le recordará que es tiempo de sacar la ropa de la secadora.

Cycle Signal (señal de ciclo)

La señal sonará justo antes del final del ciclo para recordarle de sacar la ropa. El nivel de la señal se puede ajustar.

Si seleccionó la opción **EXTRA CARE (cuidado extra)**, una señal sonará al final del tiempo de secado y varias veces durante el ciclo **EXTRA CARE (cuidado extra)**. Esto le recordará que es tiempo de sacar la ropa de la secadora.

NOTA:

- **Saque la ropa con prontitud cuando suena la señal. Ponga la ropa en colgaderos para que no se formen arrugas.**
- **Use la señal en especial cuando seque telas de tejidos de poliéster y de planchado permanente. Estas telas deben sacarse con prontitud para que no se formen arrugas en la ropa.**

Reset Options (volver a programar)

Seleccionar **RESET OPTIONS**, cancela todas las opciones previamente seleccionadas.



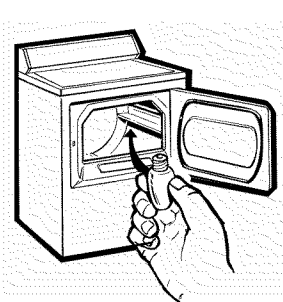
SensorDry (detector de sequedad)

Esta característica funciona sólo en los ciclos automáticos.

Mientras las ropas se mueven dentro de la secadora, también tocan un grande detector. El **SensorDry (detector de sequedad)** parará el secado en cuanto las ropas alcanzarán el nivel de sequedad seleccionado.

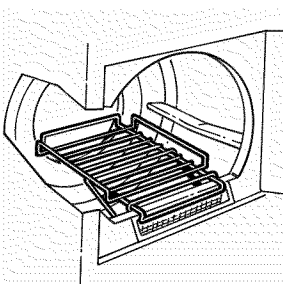
Algunos modelos tienen una luz indicadora para el **SensorDry (detector de sequedad)**. La luz se enciende durante los ciclos automáticos. Cuando el **SensorDry (detector de sequedad)** apaga el secado la luz se apagará también, y el periodo de enfriamiento empezará.

NOTA: Las prendas estarán cálidas si las quitan justo después que se apaga la luz.



Luz del tambor

Antes de reemplazar la bombilla de luz, asegúrese de desconectar el cable de suministro eléctrico de la secadora o desconecte la secadora al panel de distribución quitando el fusible o apagando el interruptor de circuitos. Meta la mano en la parte superior de la secadora desde adentro del tambor. Quite la bombilla y reemplácela con una del mismo tamaño.



Rejilla de secado

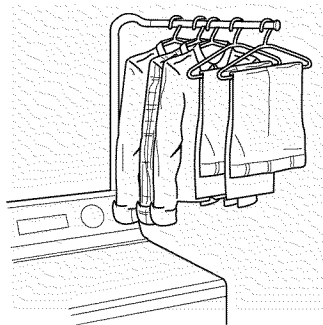
Una rejilla de secado práctica puede ser usada para secar artículos como juguetes rellenos, almohadas o suéteres lavables.

Enganche la rejilla sobre el filtro de pelusa así que la rejilla se prolonga dentro del tambor de la secadora.

NOTA:

- La rejilla de secado debe ser usada con el **SECADO POR TIEMPO**.
- No use la rejilla de secado cuando hay otras prendas en la secadora.

Información sobre el centro de secado.



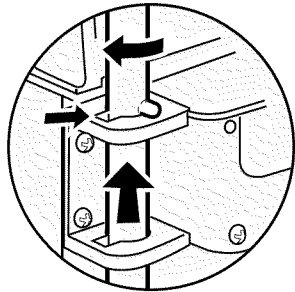
⚠ ¡PRECAUCION!

- No sobrecargue el Centro de secado. Si se aplica más de 20 libras puede ocurrir una avería.
- Para que nadie se golpee, procure siempre colocar el centro de secado en una posición segura.
- No permita que los niños jueguen con el Centro de secado.

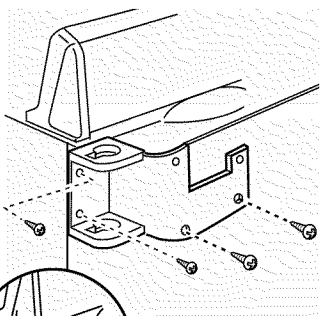
Se puede fijar el poste en el Centro de secado a diferentes niveles. Alinee las orejetas en el poste con las abrazaderas (esto sucede cuando el poste está paralelo al panel de control) y luego alce o baje el poste, haciendo descansar la orejeta en la abrazadera a la altura que le sea más cómoda.

Se puede montar el Centro de secado en cualquier de los lados de la secadora.

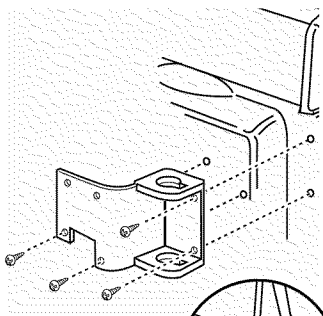
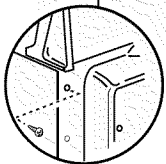
Para sacar y transferir el Centro de secado al lado opuesto.



- 1 Saque el poste alzándolo. Procure alinear las orejetas en el poste con las diferentes muescas en la abrazadera.



- 2 Saque los cuatro tornillos que aseguran las abrazaderas a la secadora. Se debe usar tres de los tornillos para montar el brazo en el otro lado. El cuarto tornillo en la parte superior del panel lateral (como se muestra en el círculo) debe colocarse en su posición original.

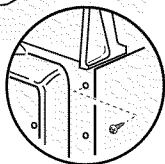


- 3 En el otro lado de la secadora saque el tornillo en la parte superior del panel lateral (como se muestra en el círculo).
- 4 Dele la vuelta a la abrazadera (cosa que la parte inferior quede encima) y únala con el tornillo que acaba de sacarse y con los tres tornillos que acaba de quitar en el otro lado.

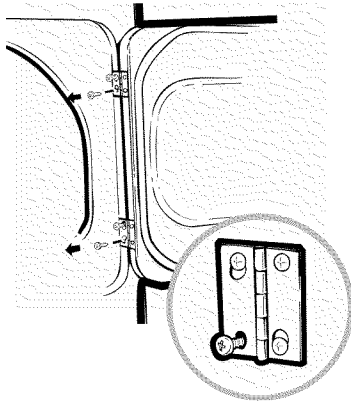
⚠ ¡PRECAUCION!

Asegúrese de usar éstos tornillos solamente. Nunca use tornillos largos (tienen que ser menos que 3/8") o tornillos puntiagudos.

- 5 Inserte el poste en la abrazadera de montaje.



Cómo voltear la puerta.

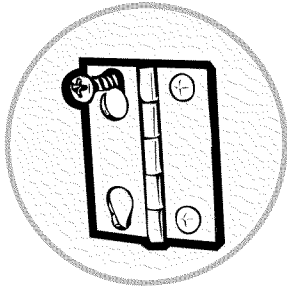


Voltear la puerta

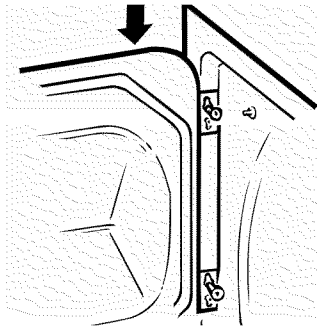
Herramientas necesarias:

- Destornillador
- Espátula con cinta adhesiva
- Pinzas de punta fina

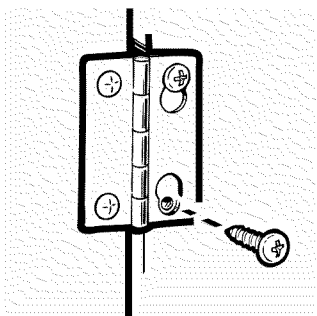
1 Abra la puerta y quite los tapones en el lado opuesto de las bisagras. Con la puerta completamente abierta, quite el tornillo inferior de cada bisagra en el lado de la secadora. Inserte estos tornillos hasta la mitad en los agujeros **SUPERIORES**, de cada bisagra, en el lado opuesto (donde quitó los tapones). Aplique una presión firme para que el tornillo entre en los agujeros no perforados.



2 Afloje el tornillo de arriba en cada bisagra hasta la mitad en el lado de la secadora. Con una mano sosteniendo la parte superior de la puerta y con la otra sosteniendo la parte inferior, quite la puerta de la secadora levantándola hacia **ARRIBA** y hacia **AFUERA**.



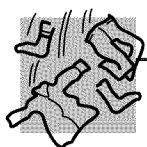
3 Gire la puerta de 180°. Insértela en la parte opuesta de la abertura moviendo la puerta hacia **ADENTRO** y hacia **ABAJO** hasta que la bisagra superior descanse en los tornillos superiores que se colocaron en el paso 1.



4 Quite los tornillos restantes de cada lado de la abertura de donde quitó la puerta. Con estos tornillos, asegure cada bisagra en la parte inferior. Apriete los dos tornillos superiores de cada bisagra. Vuelva a insertar los tapones de plástico en el lado de donde se quitó la puerta.

Cargar y usar la secadora.

Siempre siga las instrucciones del fabricante de las prendas antes de lavar.



Consejos para clasificar y cargar

Como regla general, si las prendas se clasifican correctamente para el lavado, estarán bien clasificadas para el secado.

No añada hojas de suavizante para telas una vez que la carga esté tibia. Esto puede causar el suavizante de manchar la ropa.

No sobrecargue. Esto causará una desperdicia de energía y arrugas.

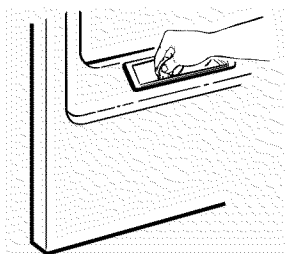
No seque los siguientes artículos: Artículos de fibra de vidrio, lanas, artículos conteniendo goma, plásticos, artículos con adornos de plástico y rellenos de goma.



Cuidado y limpieza de su secadora

El Exterior: Limpie cualquier derrame o compuesto para lavar, con un trapo húmedo. El panel de control y los acabados pueden dañarse con algunos productos de pretratamiento de suciedad y con productos removedores de manchas. Aplique estos productos fuera de la secadora. Luego, las prendas pueden lavarse y secarse normalmente. Daños a su secadora causados por estos productos no están cubiertos bajo la garantía.

El filtro de pelusa: Limpie el filtro de pelusa antes de cada uso. Con los dedos humedecidos alcance en la abertura del filtro. Pase sus dedos por el filtro. Haga que un técnico capacitado aspire la pelusa de la secadora una vez al año.

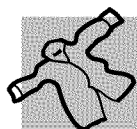


El tubo de escape: Inspeccione y limpie el tubo de escape de la secadora por lo menos una vez al año para evitar que se obstruya. Un tubo parcialmente tapado puede alargar el tiempo de secado.

Siga estos pasos:

- 1 Apague el suministro eléctrico desconectando el enchufe eléctrico de la pared.
- 2 Desconecte el tubo de la secadora.
- 3 Aspire el tubo de escape con la manguera del aspirador y conecte otra vez el tubo.

La campana de escape: Revise con un espejo que las pestañas interior de la campana se mueven con facilidad cuando la secadora está funcionando. Cercieorse que no haya vida silvestre (aves, insectos, etcétera) anidando dentro del tubo o de la campana de escape.



Etiquetas de cuidado de telas

Abajo están "símbolos" de cuidado de telas que afectan la ropa que va lavar.

ETIQUETAS PARA EL LAVADO

Ciclo de lavado en máquina						
	Normal	Planchado permanente/resistente a arrugas	Suave/delicado	Lavar a mano	No lave	No escurra
Temperatura del agua						
	Caliente (50°C/120°F)		Tibia (40°C/105°F)	Fría/fresca (30°C/85°F)		

ETIQUETAS PARA EL BLANQUEADOR

Símbolos de blanqueador			
	Cualquier blanqueador (cuando se necesita)	Sólo blanqueador sin cloro (cuando se necesita)	No use blanqueador

ETIQUETAS PARA EL SECADO

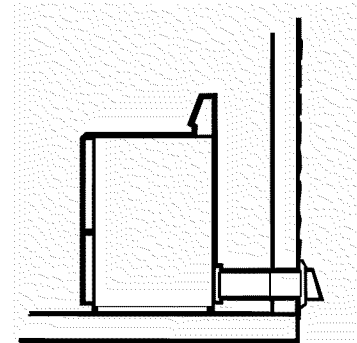
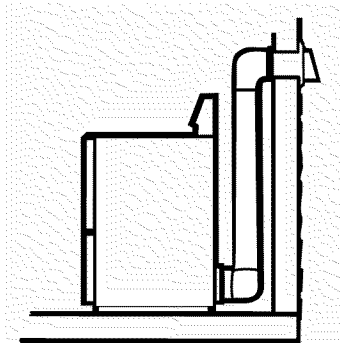
Secado por volteo						
	Secar	Normal	Planchado permanente/resistente a arrugas	Suave/delicado	No seque por volteo	No seque (usado con no lave)
Ajuste de calor						
	Alto	Medio	Bajo	Sin calor/aire		
Instrucciones especiales						
	Secar en una cuerda/colgar para secar	Dejar gotear	Secar en un sitio llano	Secar en la sombra		

Ventilación de la secadora

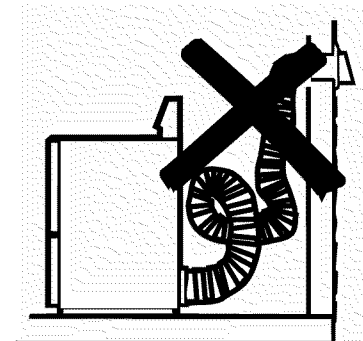
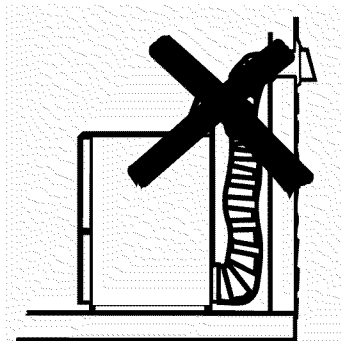
Para el mejor funcionamiento la secadora necesita ventilarse correctamente. **La secadora usará más energía y funcionará por más tiempo si la ventilación no se haga de acuerdo con las especificaciones abajo. Siga con cuidado los detalles para el tubo de escape en las Instrucciones de instalación.**

- Use sólo tubo de metal rígido o flexible de 4" de diámetro dentro el gabinete de la secadora o como salida al exterior.
- No use tubos de plástico o de otro combustibles.
- Use un largo de tubo lo más corto posible.
- No aplaste o doble.
- Evite dejar el tubo sobre objetos afilados.
- **La ventilación debe ajustarse a las normas vigentes en materia de construcción.**

Ventilación correcta



Ventilación incorrecta



Antes de solicitar un servicio...



Solucionar problemas
¡Ahorra tiempo y dinero! Revise primero las tablas en las siguientes páginas y tal vez no necesitará de solicitar un servicio.

Problema	Causas posibles	Qué hacer
La secadora no funciona	La secadora está desconectada	• Vea que la clavija esté enchufada en la toma de corriente.
	Fusible fundido/interruptor de circuito fallando	• Revise la caja de fusibles de la casa/el interruptor de circuito y reemplace el fusible o reenciende el interruptor. NOTA: La mayoría de las secadoras eléctricas usan dos fusibles/interruptores de circuito.
La secadora no calienta	Fusible fundido/interruptor de circuito fallando, la secadora se mueve pero no calienta	• Revise la caja de fusibles de la casa/el interruptor de circuito y reemplace el fusible o reenciende el interruptor.
	Servicio de gas cerrado	• Asegúrese que la válvula de gas de la secadora y la válvula principal de gas estén completamente abiertas.
La secadora se sacude o hace ruido	Un poco de sacudimiento/ruido es normal. La secadora no está nivelada	• Muévela en un suelo más uniforme o ajuste las patas niveladoras hasta que esté nivelada
Manchas grasosas en la ropa	Mal uso del suavizante para telas	• Siga las instrucciones en el paquete del suavizante.
	Secar ropa sucia con ropa limpia	• Seque artículos limpios solamente. Artículos sucios pueden manchar la ropa limpia o la secadora.
	La ropa no estuvo completamente limpia	• Algunas manchas que no se pueden ver en la ropa húmeda aparecen después de secar. Use procedimientos correctos de lavado antes de secar.
Pelusa en la ropa	El filtro de pelusa está lleno	• Limpie el filtro antes de cada uso.
	Clasificación incorrecta	• Separe las telas que producen pelusa (como la felpilla) de las que la recogen (como la pana).
	Electricidad estática puede atraer pelusa	• Vea las sugerencias en esta sección bajo ESTÁTICA .
	Sobrecarga	• Separe las cargas grandes en pequeñas cargas.
	Papel, pañuelos desechables, etc. que se quedaron en bolsillos	• Vacíe todos los bolsillos antes de lavar y secar la ropa.
Hay estática	Exceso de secado	• Use un suavizante para telas. • Ajuste los controles para menos secado.
	No se usó suavizante para telas	• Use un suavizante para telas.
	Sintéticos, planchado permanente y mezclas pueden causar estática	• Use un suavizante para telas.
Inconsecuentes tiempos de secado	Tipo de calentamiento	• Tiempo automáticos de secado variarán de acuerdo al tipo de calentamiento usado (eléctrico, gas natural o LP), tipo de telas, humedad de las telas y estado de los tubos de escape.

Antes de solicitar un servicio...

Seguridad

Operación

Solucionar problemas

Servicio al consumidor

Problema	Causas posibles	Qué hacer
Las prendas tardan mucho en secarse	Clasificación incorrecta	<ul style="list-style-type: none"> • Separe artículos pesados de los ligeros, (en general una carga bien clasificada para la lavadora está bien clasificada para la secadora).
	Cargas grandes de telas pesadas (como toallas de playa)	<ul style="list-style-type: none"> • Telas grandes y pesadas contienen más humedad y tardan más en secarse. Separe artículos grandes y pesados en pequeñas cargas para acelerar el tiempo de secado.
	Controles incorrectamente ajustados	<ul style="list-style-type: none"> • Ajuste los controles de acuerdo con la carga que está secando.
	Filtro de pelusa lleno	<ul style="list-style-type: none"> • Limpie el filtro antes de cada uso.
	Tubos de escape inadecuados o tapados	<ul style="list-style-type: none"> • Revise las instrucciones de instalación para tubos de escape y para la ventilación. • Asegúrese que los ductos estén limpios, que no estén obstruidos. • Revise que la ventilación hacia el exterior funciona bien. • Revise las instrucciones de instalación para asegurarse que la ventilación de la secadora está correcta.
	Fusible fundido/interruptor de circuito fallando	<ul style="list-style-type: none"> • Reemplace los fusibles o reenciende los interruptores de circuito. Ya que la mayoría de las secadoras usan dos fusibles y interruptores asegúrese que ambos funcionan.
	Sobrecarga/combinación de cargas	<ul style="list-style-type: none"> • No ponga más de una carga de la lavadora en la secadora al mismo tiempo.
Ropa arrugada	Cargas muy pequeñas	<ul style="list-style-type: none"> • Si está secando sólo uno o dos artículos, añada algunos más para asegurarse que la secadora funciona bien.
	Exceso de secado	<ul style="list-style-type: none"> • Seleccione un tiempo de secado más breve. • Quite la ropa cuando tiene muy poca húmeda
Las prendas encogen	Dejar la ropa en la secadora cuando el ciclo ya terminó	<ul style="list-style-type: none"> • Quite la ropa cuando termine el ciclo y dóblela o cuélguelas inmediatamente.
	Algunas telas encogen naturalmente cuando se lavan. Otras pueden lavarse sin riesgo pero encogen en la secadora	<ul style="list-style-type: none"> • Para evitar encogeramiento siga la instrucciones del fabricante de las prendas. • Algunos artículos pueden recuperar sus formas después desecarse. • Si cree que un artículo en particular puede encoger, no lo lave en lavadora ni lo seque en secadora.

Garantía de la secadora GE (Para los consumidores en los Estados Unidos)



Todos los servicios los proporcionan nuestros centros de fábrica o nuestros prestadores Customer Care® autorizados. Para solicitar servicio, llame a 800-GE-CARES.

Durante:

GE reemplazará sin costo:

Un año

A partir de la fecha de compra original

Cualquier parte de la secadora que falle debido a un defecto de fabricación o de mano de obra. Durante este **año de garantía completa** GE también proporcionará **sin costo**, mano de obra y servicio en su hogar para reemplazar las partes defectuosas.

Cinco años

A partir de la fecha de compra original

Un tambor más grande o de más capacidad que falle debido a un defecto de fabricación o de mano de obra. Durante estos **cinco años de garantía limitada**, pagará los costos de viáticos para hacer servicio en su hogar.

Lo que GE no cubrirá

- Viajes de servicio a su hogar para enseñarle cómo usar el producto.
- Una instalación incorrecta.
- Fallas del producto si hay abuso, mal uso, o uso para otros propósitos que los propuestos, o uso para fines comerciales.
- Reemplazo de fusibles de su hogar o reajuste de interruptores de circuito.
- Daño al producto causado por accidente, fuego, inundaciones, o actos de Dios.
- Daño incidental o consecuencial a su propiedad causado por posibles defectos con el aparato.

Esta garantía se extiende al comprador original y a cualquier propietario que lo suceda para el caso de productos comprados para uso doméstico normal en los Estados Unidos. En Alaska, usted tendrá que pagar el flete del producto o los costos de viaje del técnico de servicio hasta su hogar. Algunos estados no permiten la exclusión o limitación de daños incidentales o consecuenciales. Esta garantía le proporciona derechos legales específicos, y puede tener otros derechos que pueden variar de un estado a otro. Para conocer los derechos legales de su estado, consulte con su oficina local de asuntos del consumidor o al procurador general de su estado.

Garantidor: General Electric Company. Louisville, KY 40225

Seguridad

Operación

Solucionar problemas

Servicio al consumidor

Números de servicio.



GE Answer Center® En los EE.UU.: 800.626.2000

El GE Answer Center® está abierto las 24 horas del día, los 7 días de la semana.



Reparaciones en su hogar En los EE.UU.: 800-432-2737

Para reparar su aparato GE, sólo llame por teléfono.



Necesidades especiales En los EE.UU.: 800.626.2000

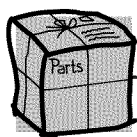
TDD 800-TDD-GEAC (800-833-4322)

GE le ofrece, sin costo, un folleto de ayuda en planear cocinas para personas limitadas en su movilidad. **En los EE.UU., llame 800-TDD-GEAC (800-833-4322).**



Contratos de servicio En los EE.UU.: 800-626-2224

Compre un contrato GE antes de que su garantía expire, y recibirá un descuento considerable. Así el servicio al consumidor GE estará allí aún después de que expire su garantía.



Partes y accesorios En los EE.UU.: 800-626-2002

Las personas calificadas para dar servicio a sus aparatos pueden recibir partes y accesorios a sus hogares (se aceptan VISA, MasterCard y Discover).

Las instrucciones de mantenimiento para el usuario que contiene este manual, le puede realizar cualquier usuario. Otro tipo de servicios los deberá ejecutar un personal calificado. Tenga precaución, un servicio inadecuado puede ser causa de peligros en la operación.



Servicio satisfactorio

Si no quedara satisfecho con el servicio GE:

Primero, contacte las personas que le dieron servicio.

Después, si sigue insatisfecho, **en los EE.UU.**, escriba todos los detalles—incluso su número de teléfono—a: Manager, Consumer Relations, GE Appliances, Appliance Park, Louisville, KY 40225.

Finalmente, si aún siguiera sin resolver el problema escriba a: Major Appliance Consumer Action Program, 20 North Wacker Drive, Chicago, IL 60606. (EE.UU. solamente).

<i>Seguridad</i>	<i>Operación</i>	<i>Solucionar problemas</i>	<i>Servicio al consumidor</i>
------------------	------------------	-----------------------------	-------------------------------

Service Telephone Numbers.



GE Answer Center® In the U.S.: 800.626.2000

The GE Answer Center® is open 24 hours a day, 7 days a week.

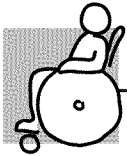
In Canada, contact: Manager, Consumer Relations, Camco Inc., 1 Factory Lane, Suite 310, Moncton, N.B., E1C 9M3.



In-Home Repair Service In the U.S.: 800-432-2737

Expert GE repair service is only a phone call away.

In Canada, call 1-800-361-3400.



Special Needs Service In the U.S.: 800.626.2000

GE offers, free of charge, a brochure to assist in planning a barrier-free kitchen for persons with limited mobility. **In the U.S., call 800-TDD-GEAC (800-833-4322).**

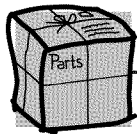
In Canada, contact: Manager, Consumer Relations, Camco Inc., 1 Factory Lane, Suite 310, Moncton, N.B., E1C 9M3.



Service Contracts In the U.S.: 800-626-2224

Purchase a GE service contract while your warranty is still in effect and you'll receive a substantial discount. GE Consumer Service will still be there after your warranty expires.

In Canada, call 1-800-461-3636.



Parts and Accessories In the U.S.: 800-626-2002

Individuals qualified to service their own appliances can have parts or accessories sent directly to their homes (VISA, MasterCard and Discover cards are accepted).

Instructions contained in this manual cover procedures to be performed by any user. Other servicing generally should be referred to qualified service personnel. Caution must be exercised, since improper servicing may cause unsafe operation.

In Canada, call 1-800-361-3400.



Service Satisfaction

If you are not satisfied with the service you receive from GE:

First, contact the people who serviced your appliance.

Next, if you are still not pleased, **in the U.S.**, write all the details—including your phone number—to: Manager, Consumer Relations, GE Appliances, Appliance Park, Louisville, KY 40225; or, **in Canada**, to Director, Consumer Relations, Camco Inc., 1 Factory Lane, Suite 310, Moncton, N.B., E1C 9M3.

Finally, if your problem is still not resolved, write Major Appliance Consumer Action Program, 20 North Wacker Drive, Chicago, IL 60606 (U.S. only).